

82200 to 82299

Illustrated Parts List Industrial/Commercial Model Series **82200 to 82299**

TYPE NUMBERS
0300 through 0393,
2135 through 2152,
4002 through 4011,
4014 through 4021,
4025, 4035, 4036,
4045, 4049, 4090,
4091, 4092, 4844,
4845, 4846, 8200,
8244, 8301, 8305,
8306, 8309.

**TO FIND
THE CORRECT NUMBER OF THE PART YOU NEED:
FOLLOW THE INSTRUCTIONS BELOW**

- A. Refer to Engine Model, Type and Code Number that is stamped on the blower housing of engine. Engine type numbers such as 0123 01 are listed only as 0123 in most instances. The two digits (01 or 02, etc.) to the right of the space may be required for more accurate parts identification in some instances. Select the Illustrated Parts List covering the correct Model Series and Type Number.
- B. Refer to the Illustrations and compare the original part with Illustration. The number next to the illustration is the Reference Number. Assemblies include all parts shown in frames. All parts shown in assembly frames having individual reference numbers can be purchased separately.
- C. After the Reference Number has been identified, refer to the Numerical text, where Reference and Primary Part Number are listed. **THE PRIMARY PART IS USED ON ALL TYPE NUMBERS EXCEPT THOSE TYPE NUMBERS UNDER "NOTE."**
- D. If a "Note" appears below the Primary Part Number, it means that this part differs from the Primary Part for certain types. If your Type number is listed under "Note," order the part referred to at the "Note."
- E. If your Engine Type Number does not appear after any part number listed under "Note," use the Primary Part Number.
- F. For Engine Type Numbers not covered by this book, check other Parts Lists having the same engine model or contact your source of supply.

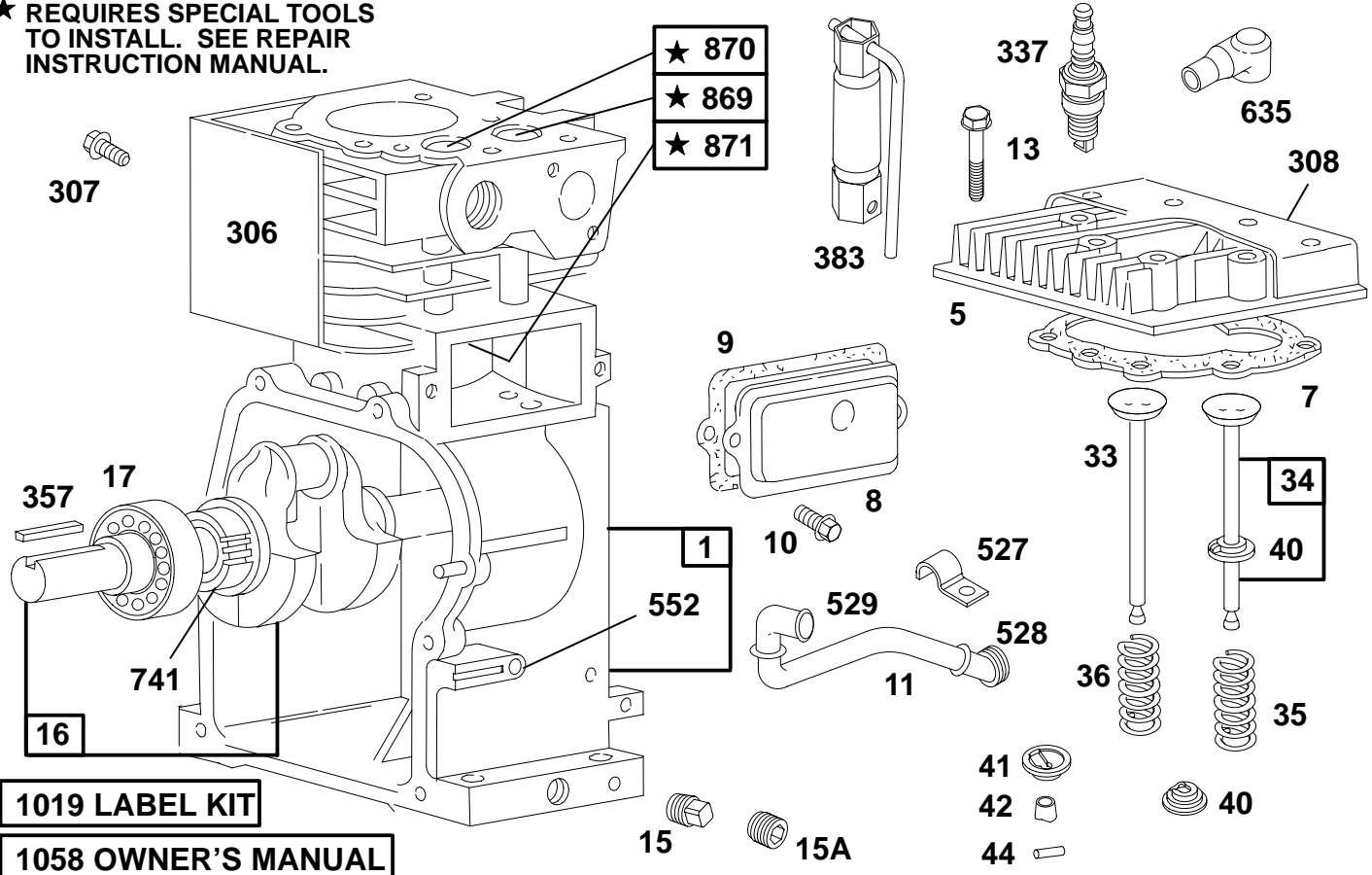
PRINTED IN U.S.A.

COPYRIGHT©



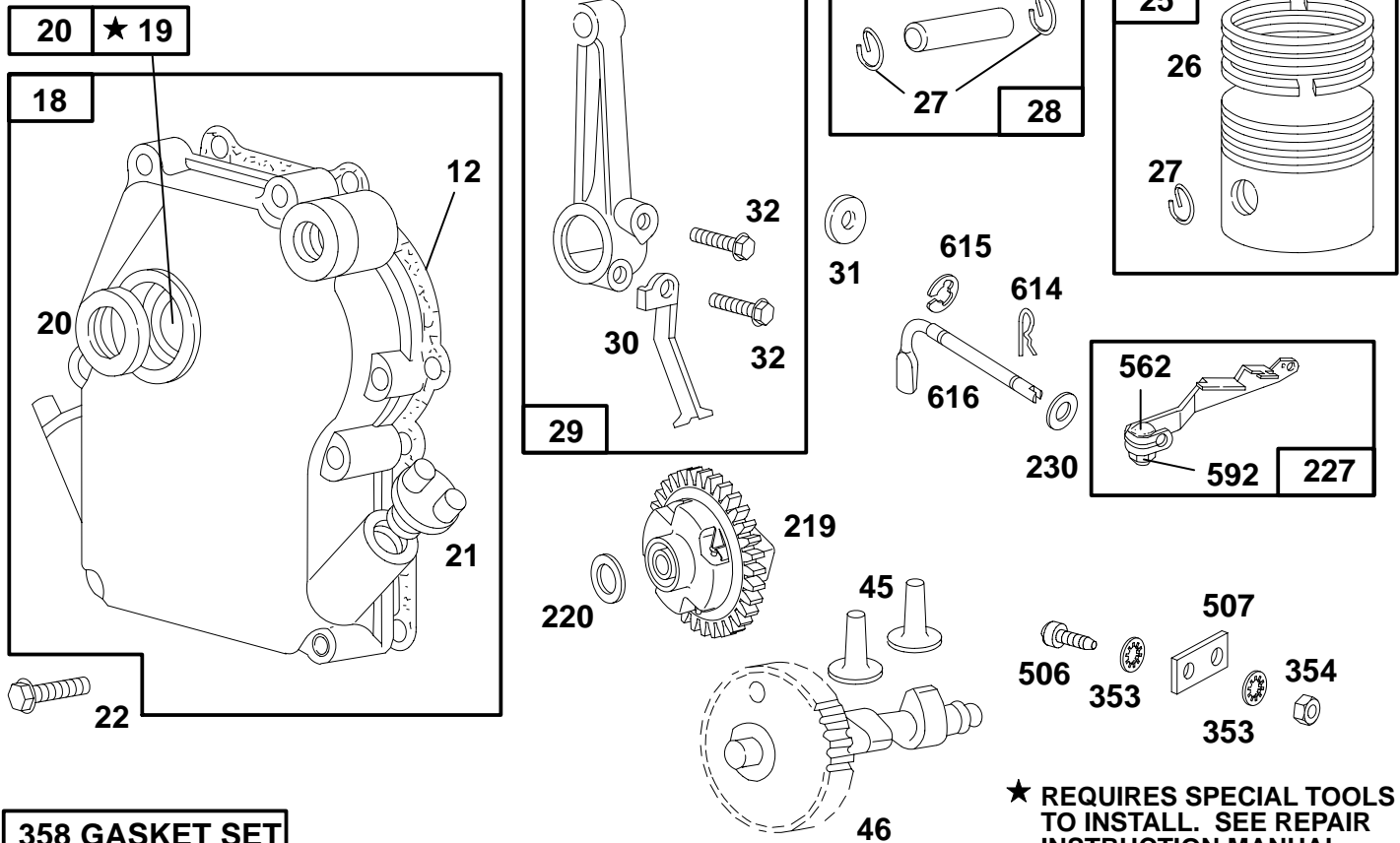
82200 to 82299

★ **REQUIRES SPECIAL TOOLS TO INSTALL. SEE REPAIR INSTRUCTION MANUAL.**



REF. NO.	PART NO.	DESCRIPTION	REF. NO.	PART NO.	DESCRIPTION	REF. NO.	PART NO.	DESCRIPTION
1	395567	Cylinder Assembly	41		Retainer-Valve See Last Pages.	529	67838	Grommet
5	210812	Head-Cylinder	42	230127	Keeper-Valve	552	231079	Bushing-Gov. Shaft (Mech. Gov.)
7	★272167	Gasket-Cylinder Head	44	230126	Pin-Retainer	635	66538	Boot-Spark Plug
8	294178	Breather Assembly	306	224377	Shield-Cylinder (Used After Code Date 90020500). Note	741	261533	Gear-Timing Note
9	★27549	Gasket-Breather			220478 Shield-Cyl. (Used Before Code Date 90020600).			261721 Gear-Timing (For Ball Bearing) (Used Before Code Date 93071900).
11	231527	Tube-Breather	307	93490	Screw-Sem	869	211172	Seat-Valve (Used After Code Date 88073100). Note
10	94688	Screw-Sem	308	223390	Cover-Cylinder Head			210879 Seat-Valve (Used Before Code Date 88080100).
13		Screw-Cylinder Head See Last Pages.	337	492167	Plug-Spark (1-7/8" High, 48 mm) Note	870	211291	Seat-Valve
15	91249	Plug-Oil Drain			298809 Plug-Spark (1-1/2" High, 37 mm)	871	262001	Bushing-Guide (Exhaust Valve) Note
15A	93448	Plug-Oil Drain (Hex. Socket Head)			802592 Plug-Spark (1-7/8" High, 48 mm, Resistor Type)			63709 Bushing-Guide (Intake Valve)
16		Crankshaft See Last Pages.	357	91539	Key-Drive Pulley	1019	491075	Label Kit
17		Bearing-Ball See Last Pages.	383	89838	Wrench-Spark Plug	1058	271977	Owner's Manual
33		Valve-Exhaust See Last Pages.	527	223786	Clamp-Tube			
34	296677	Valve-Intake	528	66578	Grommet			
35	260552	Spring-Valve (Intake)						
36		Spring-Valve (Exhaust) See Last Pages.						
40	93312	Retainer-Valve						

★ Included in Gasket Set-See Ref. 358.
● Included in Carburetor Kit-See Ref. 121.



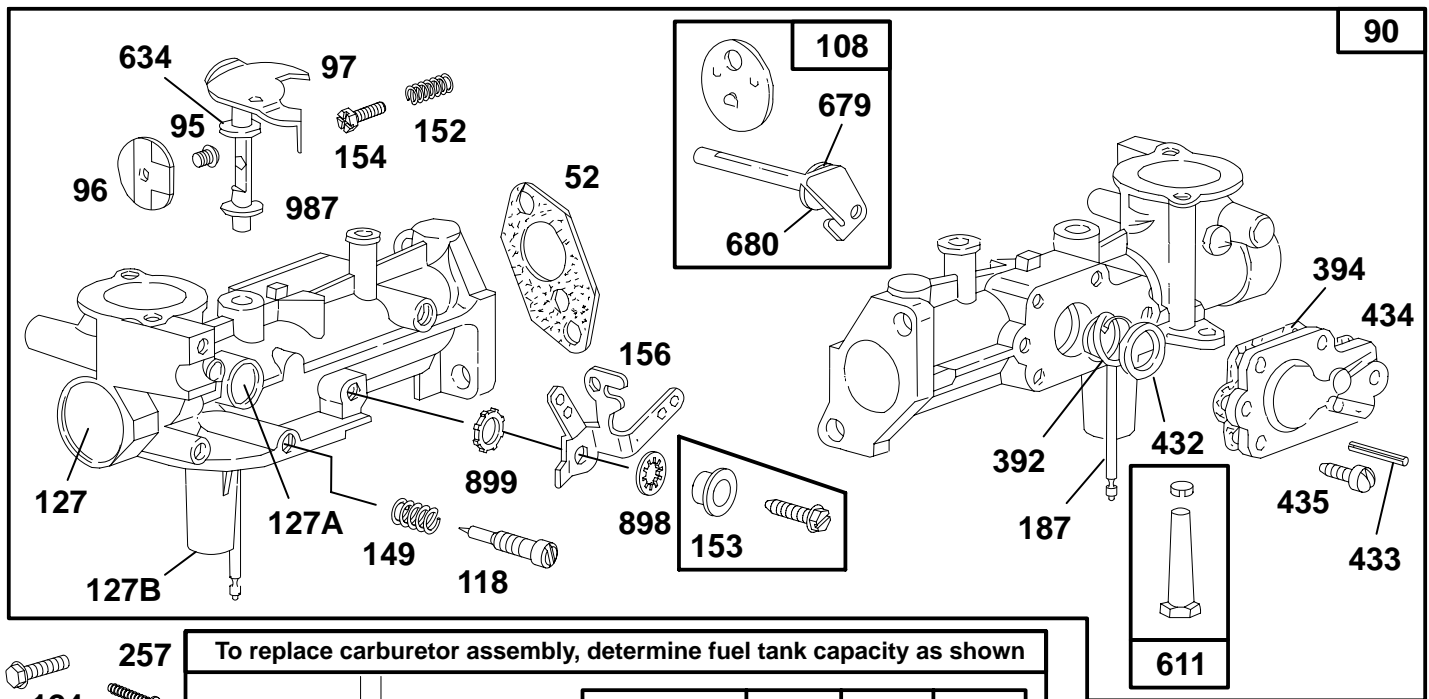
358 GASKET SET

★ REQUIRES SPECIAL TOOLS TO INSTALL. SEE REPAIR INSTRUCTION MANUAL.

REF. NO.	PART NO.	DESCRIPTION	REF. NO.	PART NO.	DESCRIPTION	REF. NO.	PART NO.	DESCRIPTION
12	★270833	Gasket-Crankcase (.015" Thick, Standard)	25		Piston Assembly	32	94404	Screw-Conn. Rod
	★270895	Gasket-Crankcase (.005" Thick)			See Last Pages.	45	230173	Tappet-Valve
	★270896	Gasket-Crankcase (.009" Thick)	26	295657	Ring Set (Standard)	46	493747	Gear-Cam
18		Cover-Crankcase		297201	Ring Set (Std. Chrome)	219		Gear-Governor
19	293708	Bushing		295658	Ring Set (.010" O.S.)			See Last Pages.
		Include(s):		295659	Ring Set (.020" O.S.)	220	221551	Washer-Thrust
		220538 Bushing	27	26026	Lock-Piston Pin	227	490454	Lever Assy.-Governor
20	★495355	Seal-Oil (Used After Code Date 93071800).	28	298909	Pin-Piston (Standard)	230	222450	Washer-Gov. Lever
		Note		298908	Pin-Piston (.005" O.S.)	353	92791	Washer-Lock
		★393812 Seal-Oil (Used Before Code Date 93071900).	29	294367	Rod-Connecting (Standard)	354	90576	Nut-Hex.
21	66768	Plug-Oil Fill		296079	Rod-Conn. (.020 Undersize)	358		Gasket Set
22		Screw-Hex. Head	30	220670	Dipper-Conn. Rod			See Last Pages.
		See Last Pages.	31	222282	Washer-Flat	506	90200	Screw-Fillister Head
						507	66895	Insulator
						562	93613	Bolt-Governor Lever
						592	231082	Nut-Hex.
						614	93306	Pin-Cotter
						615	93307	Retainer-E-Ring
						616	231077	Crank-Governor

★ Included in Gasket Set-See Ref. 358.
 ● Included in Carburetor Kit-See Ref. 121.

82200 to 82299



To replace carburetor assembly, determine fuel tank capacity as shown

Fuel Tank Capacity (Quarts)	1	2	3
D (Inches)	2-5/16	4-1/4	4-7/8

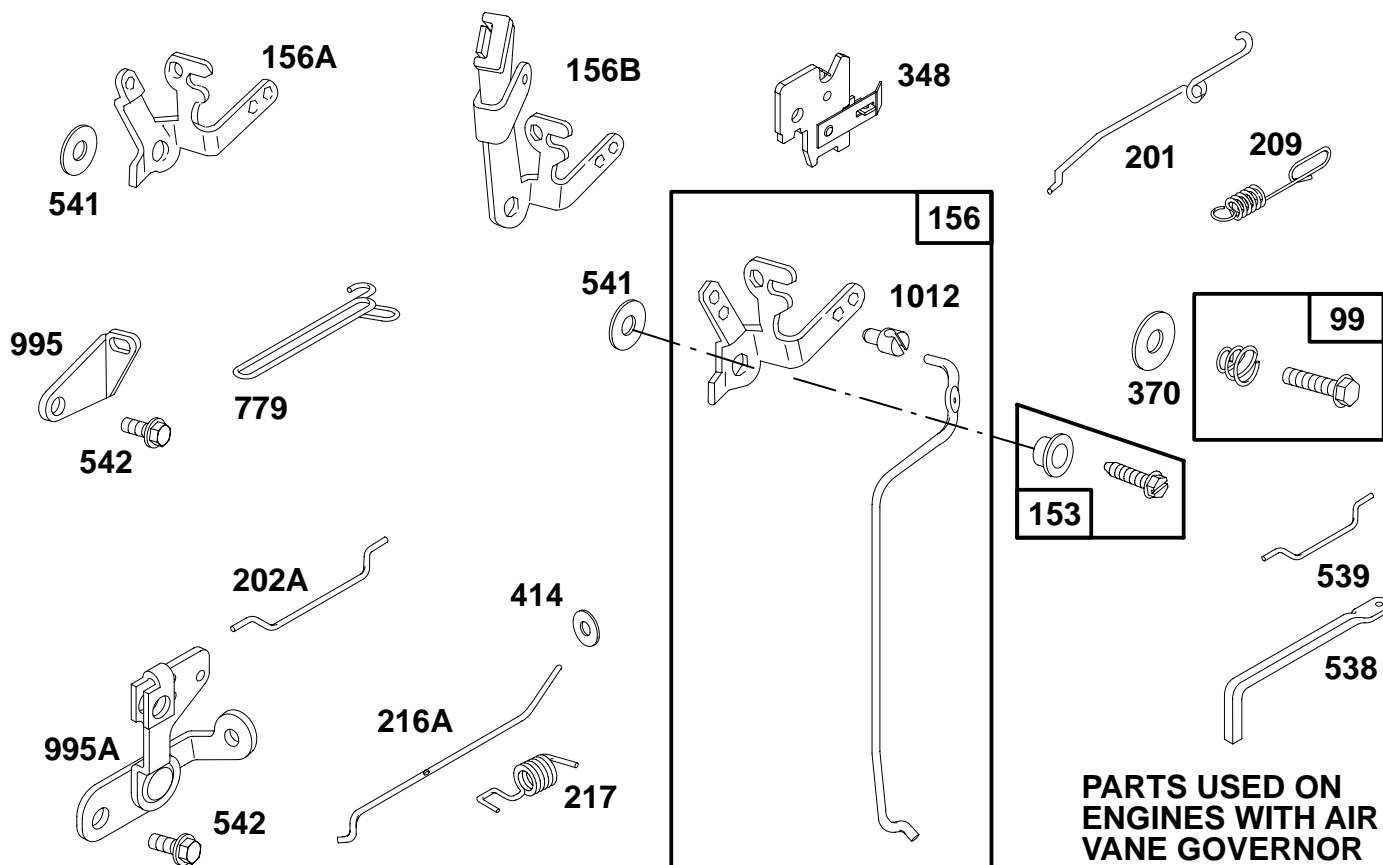
D=Fuel Pipe Length (Approx.)

PARTS USED ON ENGINES WITH AIR VANE GOVERNOR

121 CARBURETOR KIT

REF. NO.	PART NO.	DESCRIPTION	REF. NO.	PART NO.	DESCRIPTION	REF. NO.	PART NO.	DESCRIPTION
52	★271936	Gasket-Intake	127	220352	Plug-Welch			<p>———— Note ———</p> <p>●270026 Diaphragm-Carburetor (Used Before Code Date 92090700).</p> <p>432 221377 Cap-Spring</p> <p>433 93265 Pin</p> <p>434 214021 Cover-Diaphragm (Used After Code Date 92090600).</p> <p>———— Note ———</p> <p>210959 Cover-Diaph. (Used Before Code Date 92090700).</p> <p>435 93141 Screw-Sem</p> <p>611 Tube-Pick-up</p> <p>See Last Pages.</p> <p>634 271853 Washer-Throttle Shaft</p> <p>679 270382 Washer-Choke Shaft (Foam)</p> <p>680 221839 Washer (Brass)</p> <p>898 92507 Washer-Lock</p> <p>899 93397 Washer-Lock</p> <p>987 398970 Seal-Throttle Shaft</p>
90		Carburetor	127A	223789	Plug-Welch			
		See Last Pages.	127B	223472	Plug-Welch (Well)			
95	93499	Screw-Sem			(Used After Code Date 87011100).			
96	223793	Valve-Throttle			———— Note ———			
97	495313	Shaft-Throttle (Used After Code Date 92090600).			223790 Plug-Welch (Used Before Code Date 87011200).			
		———— Note ———	149	26336	Spring-Needle Valve			
		490371 Shaft-Throttle (Used Before Code Date 92090700).	152	260575	Spring-Adjustment			
108	490495	Valve-Choke	153	490501	Screw-Carb. Lever			
		———— Note ———	154	93527	Screw-Rd. Hd.			
		495949 Valve-Choke Used on Type No(s). 0386.	156	492905	Lever-Speed Adjuster			
118	231533	Valve-Idle Adjust	187	231067	Line-Fuel (For 2 Quart Tank)			
121	495606	Carburetor Kit (Used After Code Date 92060700).			———— Note ———			
		———— Note ———			231068 Line-Fuel (For 3 Quart Tank)			
		494624 Carburetor Kit (Used Before Code Date 92060800).	257	93543	Screw-Fillister Hd.			
124	93357	Screw-Hex. Head	392	262328	Spring-Diaphragm			
			394	●272538	Diaphragm-Carb. (Used After Code Date 92090600).			

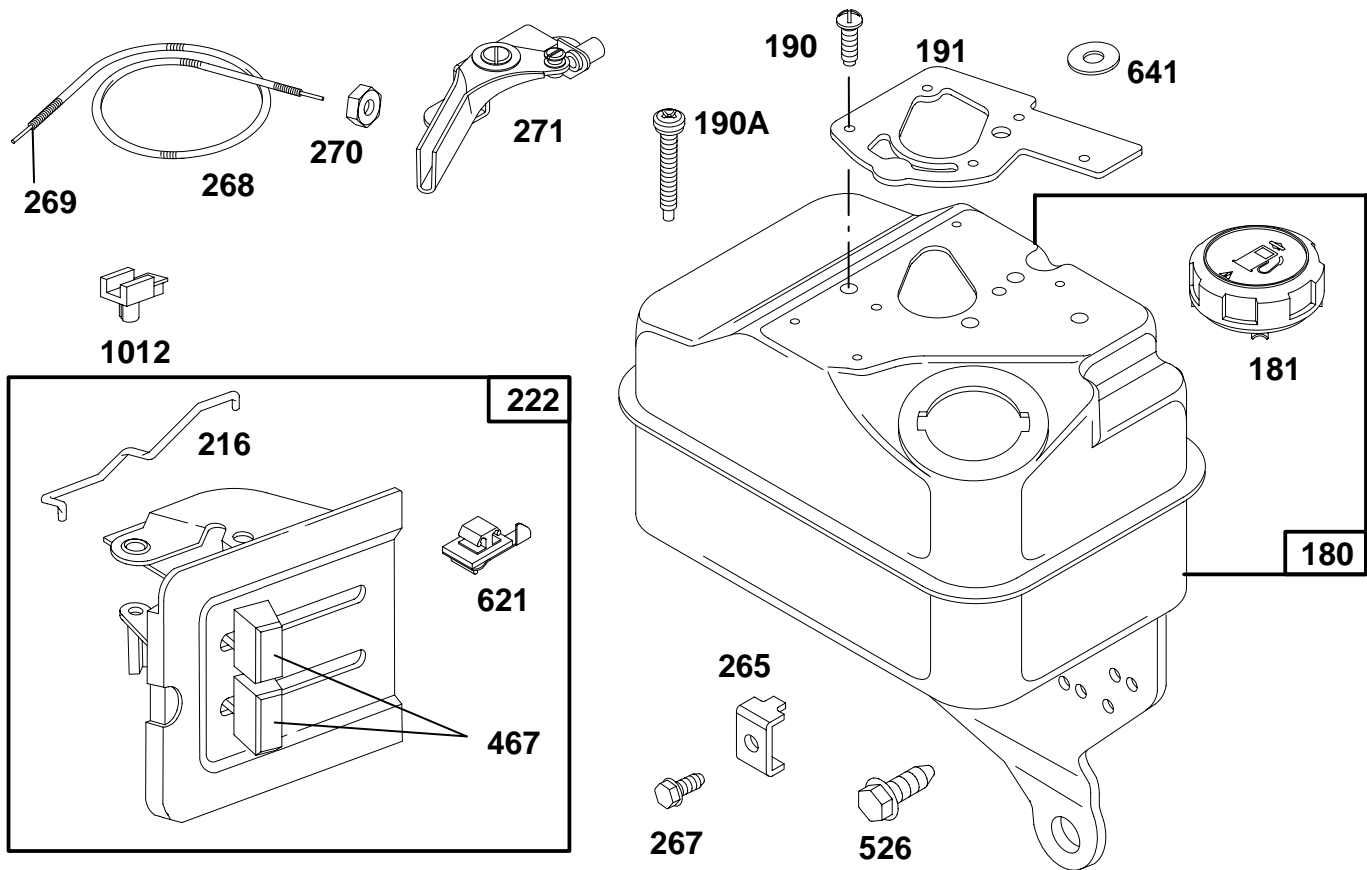
★ Included in Gasket Set-See Ref. 358.
 ● Included in Carburetor Kit-See Ref. 121.



PARTS USED ON ENGINES WITH AIR VANE GOVERNOR

REF. NO.	PART NO.	DESCRIPTION	REF. NO.	PART NO.	DESCRIPTION	REF. NO.	PART NO.	DESCRIPTION
99	490956	Spring & Screw			4021, 4035, 4090.	217	262281	Spring-Link
153	490501	Screw-Carb. Lever			262391 Spring-Gov.	348	296110	Switch-Stop
156	492905	Lever-Speed Adjuster			Used on Type No(s).	370	66432	Washer-Plain
156A	223857	Lever-Speed Adjuster (Remote or Manual Control)			0311, 0313, 0318, 0321, 0322, 0331, 0348, 0349, 0369, 0373, 0377, 0381, 0382, 0384, 0386, 0389, 0392, 0393, 4002, 4004, 4016, 4018, 4036, 4045, 4091, 4092.	414	221198	Washer-Link
156B	223855	Lever-Speed Adjuster (Choke-A-Matic®)			262809 Spring-Gov.	538	260683	Rod-Control
201	262325	Link			Used on Type No(s).	539	260684	Link
202A	262470	Link			0315, 0344, 0357.	541	22398	Washer-Speed
209	262317	Spring-Governor	216A	262320	Link (Choke-A-Matic®)	542	93572	Screw-Hex. Head
		Note				779	262570	Link
		260041 Spring-Gov. Used on Type No(s). 0320, 0337, 0339, 0349, 0351, 0353, 0372, 4007, 4020,				995	223887	Bracket-Link
						995A	497195	Bracket-Link (Used After Code Date 94083100).
								Note
								491577 Bracket-Link (Used Before Code Date 94090100).
						1012	490507	Retainer-Link

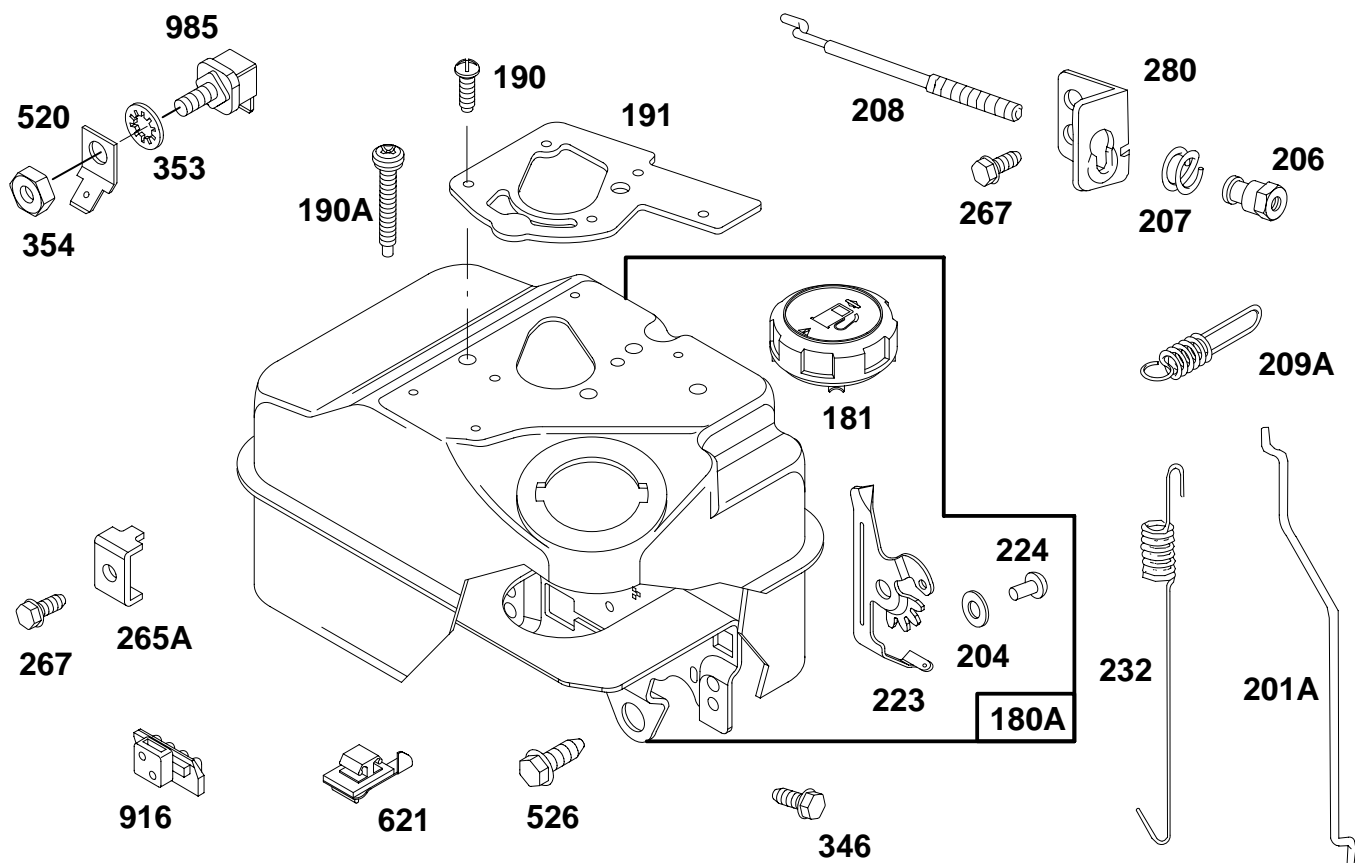
★ Included in Gasket Set-See Ref. 358.
● Included in Carburetor Kit-See Ref. 121.



REF. NO.	PART NO.	DESCRIPTION	REF. NO.	PART NO.	DESCRIPTION	REF. NO.	PART NO.	DESCRIPTION
180		Tank—Fuel See Last Pages.			Note 262274 Link (Used Before Code Date 87030200).			Note If Longer Wire is Needed, Specify Length in Inches; If Shorter Wire is Needed, Order and Cut to Required Length.
181	494559	Cap—Fuel Tank						
190	94094	Screw—Sem						
190A	94677	Screw—Sem						
191	★●272489	Gasket—Tank Mtg. (Used After Code Date 92060700).						
		Note ★●272410 Gasket—Tank Mtg. (Used Before Code Date 92060800).	222	490648	Bracket—Control			
			265	221370	Clamp—Casing			
			267	93496	Screw—Sem			
			268	66986	Casing—Wire (48" Long)			
					Note If Longer Casing is Needed, Specify Length in Inches; If a Shorter Casing is Needed, Order and Cut to Required Length.	270	63426	Locknut—Casing
216	262359	Link (Used After Code Date 87030100).				271	290568	Lever—Control
			269	26099	Wire—Control (54" Long)	467	280715	Knob
						526		Screw—Sem See Last Pages.
						621	396847	Switch—Stop
						641	220680	Washer (Used on Engines Without Ref. 222)
						1012	490507	Retainer—Link

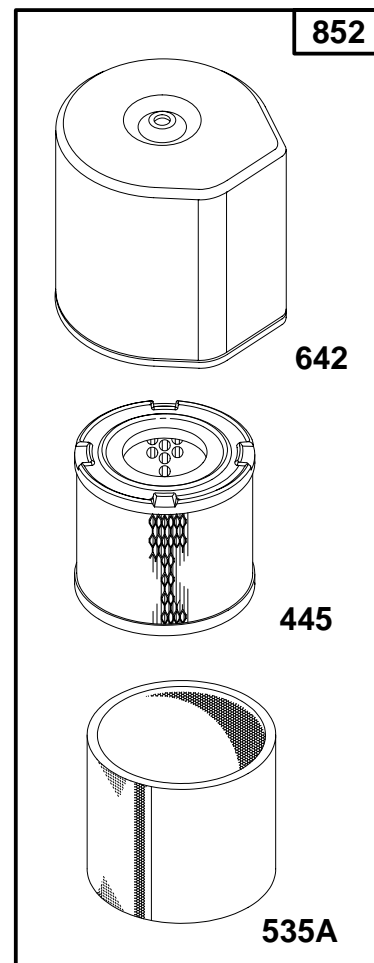
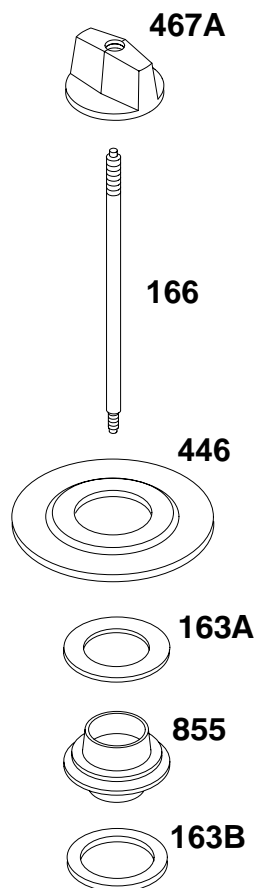
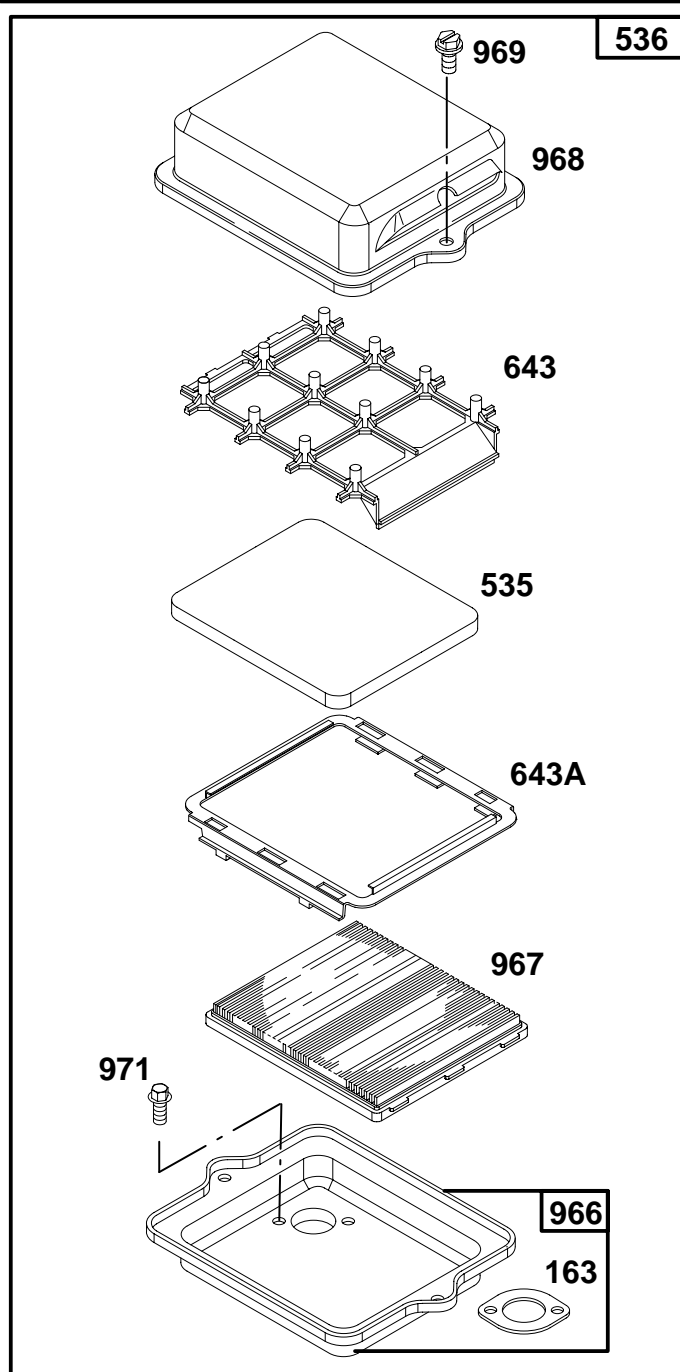
★ Included in Gasket Set—See Ref. 358.
● Included in Carburetor Kit—See Ref. 121.

82200 to 82299



REF. NO.	PART NO.	DESCRIPTION	REF. NO.	PART NO.	DESCRIPTION	REF. NO.	PART NO.	DESCRIPTION
180A	495376	Tank–Fuel (2 Quart) (Mech. Gov.) ———— Note ———— 495388 Tank– Fuel (3 Quart) (Used After Code Date 92060700). 490527 Tank–Fuel (3 Quart) (Used Before Code Date 92060800).	204	222962	Bushing–Lever (Mech. Gov.)	232	262310	Spring–Link
181	494559	Cap–Fuel Tank	206	231266	Nut–Control Rod	265A	221535	Clamp–Casing
190	94094	Screw–Sem	207	26855	Spring–Control Rod	267	93496	Screw–Sem
190A	94677	Screw–Sem	208	262323	Rod–Control	280	223798	Bracket–Rod ———— Note ———— 223235 Bracket–Rod Used on Type No(s). 0382, 4003, 4004, 4008, 4010, 4019, 4092, 8301, 8306, 8309.
191	★● 272489	Gasket–Tank Mtg. (Used After Code Date 92060700). ———— Note ———— ★● 272410 Gasket– Tank Mtg. (Used Before Code Date 92060800).	209A	262289	Spring–Governor (Mech. Gov.) Used on Type No(s). 4846, 8301, 8306. ———— Note ———— 262285 Spring–Gov. Used on Type No(s). 8244, 8309.	346	93705	Screw–Sem
			201A	262278	Link (Mech. Gov.)	353	92791	Washer–Lock
			223	223097	Lever–Gov. Control (Mech. Gov.)	354	90576	Nut–Hex.
			224	93491	Rivet (Mech. Gov.)	520	93722	Terminal Screw–Sem See Last Pages.
						526		Switch–Stop
						621	396847	Switch–Stop
						916	280321	Rack–Governor
						985	398525	Insulator

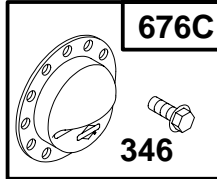
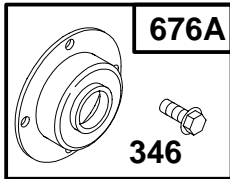
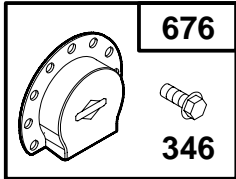
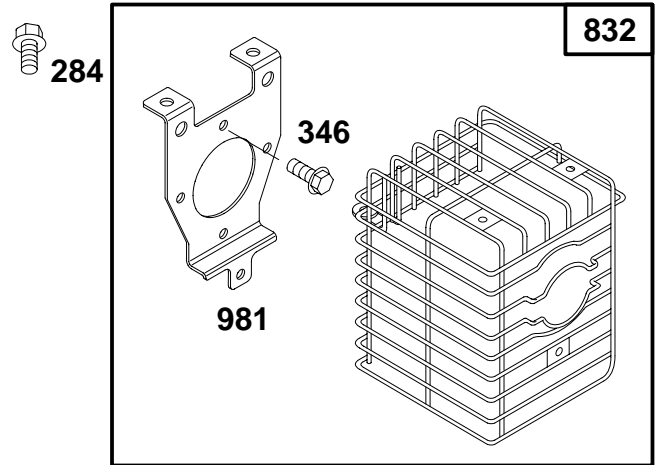
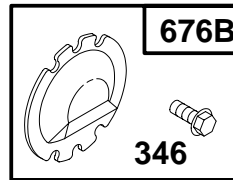
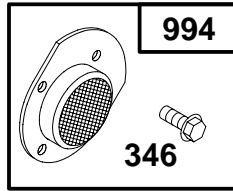
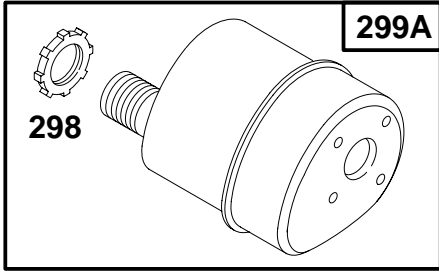
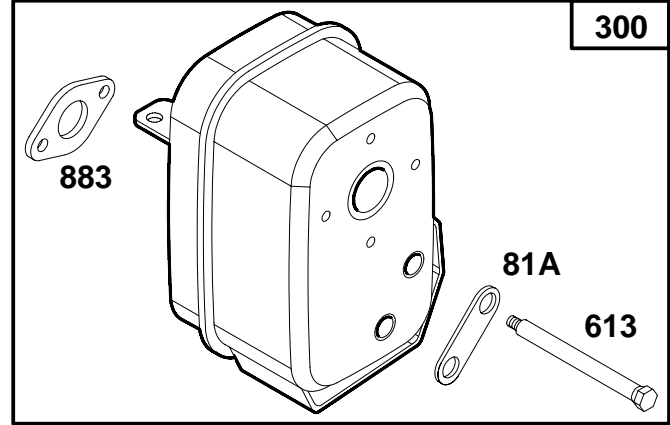
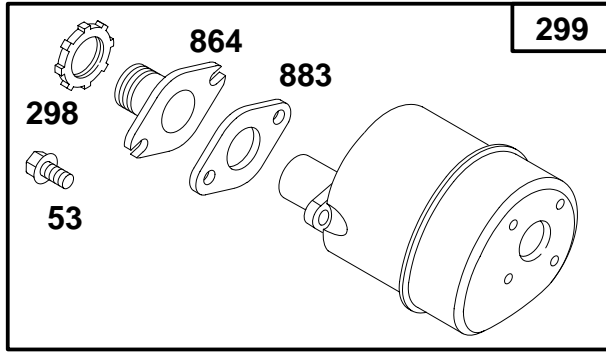
★ Included in Gasket Set–See Ref. 358.
● Included in Carburetor Kit–See Ref. 121.



REF. NO.	PART NO.	DESCRIPTION	REF. NO.	PART NO.	DESCRIPTION	REF. NO.	PART NO.	DESCRIPTION
163	★271935	Gasket-Air Cleaner	535	491435	Filter-Air	855	281189	Adapter-Air
163A	271139	Gasket-Air Cleaner	535A	271466	Filter-Air	966	492797	Base-Air Cleaner
163B	272631	Gasket-Air Cleaner	536	494279	Cleaner-Air	967	491588	Filter-Air
166	231819	Stud-Air Cleaner	642	493822	Cover-Air Cleaner	968	223765	Cover-Air Cleaner
445	396424	Filter-Air	643	280737	Retainer-Air Filter	969	490073	Screw-Cover Mtg. (Includes Grommet)
446	222844	Base-Air Cleaner	643A	280726	Retainer-Air Filter	971	94018	Screw-Sem
467A	493903	Knob	852	396397	Cleaner-Air			

★ Included in Gasket Set-See Ref. 358.
● Included in Carburetor Kit-See Ref. 121.

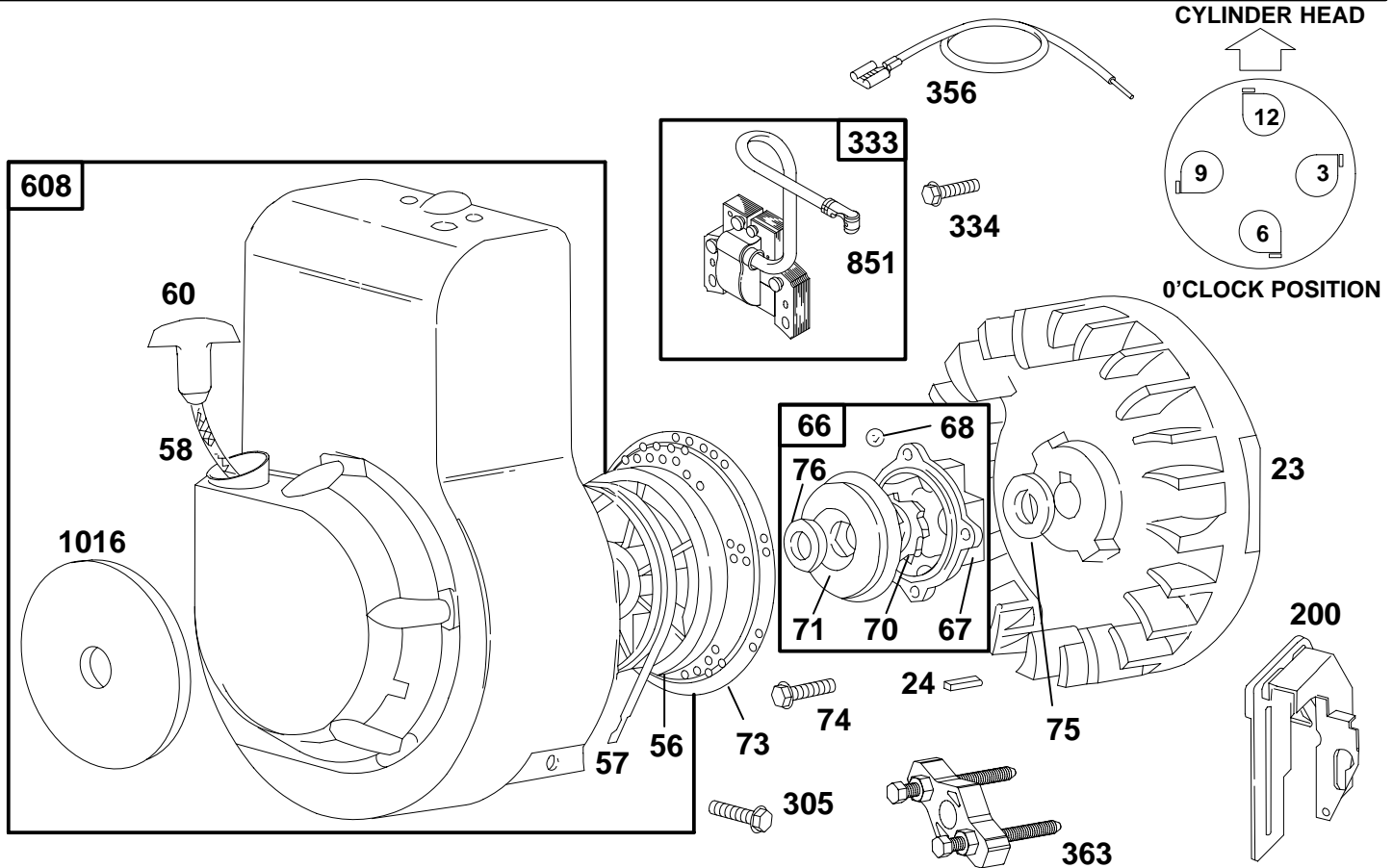
82200 to 82299



REF. NO.	PART NO.	DESCRIPTION	REF. NO.	PART NO.	DESCRIPTION	REF. NO.	PART NO.	DESCRIPTION
53	94523	Screw-Hex.Head	300	39599	Muffler-Exhaust	676C	396548	Deflector-Muffler
81A	223256	Lock-Screw	346	93705	Screw-Sem	832	490571	Guard-Muffler
284	93801	Screw-Hex.Head	613	94042	Screw-Muffler	864	492232	Adapter-Muffler
298	220859	Locknut-Muffler	676	393760	Deflector-Muffler	883	★272252	Gasket-Exhaust
299	493288	Muffler-Exhaust	676A	397931	Deflector-Muffler	981	223395	Bracket-Muffler
299A	392811	Muffler-Exhaust (Lo-Tone)	676B	393756	Deflector-Muffler	994	398067	Arrester-Spark

★ Included in Gasket Set-See Ref. 358.
● Included in Carburetor Kit-See Ref. 121.

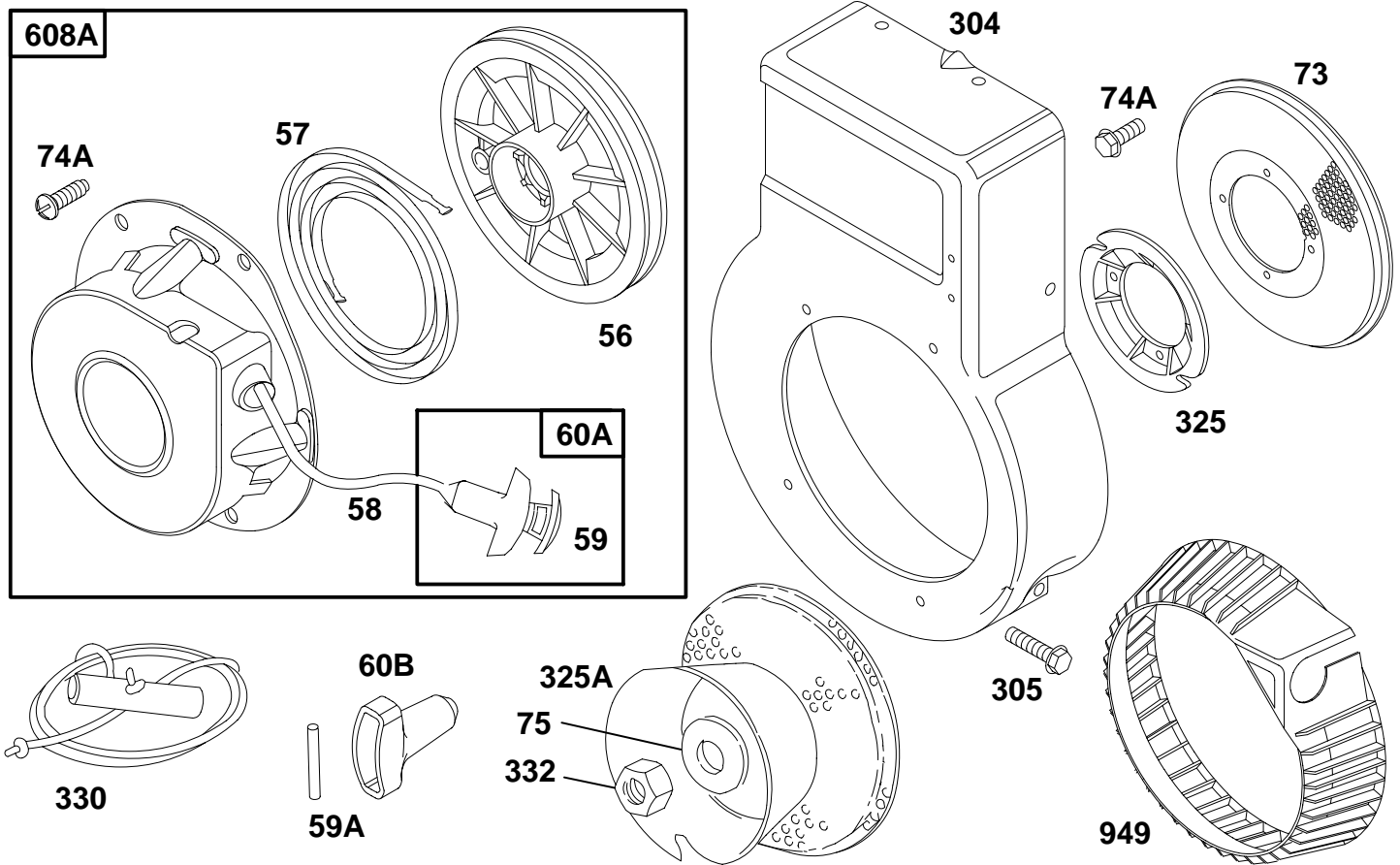
82200 to 82299



REF. NO.	PART NO.	DESCRIPTION	REF. NO.	PART NO.	DESCRIPTION	REF. NO.	PART NO.	DESCRIPTION
23	296884	Flywheel ——— Note ——— 395653 Flywheel Used on Type No(s). 0313, 0349.	73	221661	Screen—Rotating			491728 Starter— Rewind (12 o'clock) Used on Type No(s). 0311, 0313, 0318, 0319, 0322, 0323, 0335, 0336, 0337, 0344, 0348, 0349, 0353, 0372, 0374, 0377, 0378, 0382, 0386, 0392, 0393, 2135, 2136, 2140, 2149, 2150, 2152, 4004, 4010, 4036, 4049, 4092, 4844, 4845, 8244, 8305. 851 221798 Terminal—Cable 1016 490817 Spacer
24	222698	Key—Flywheel	74	93490	Screw—Sem ——— Note ——— 94062 Screw—Hex. Hd. Used on Type No(s). 0320, 0333, 0357, 0358, 0360, 0373, 4006, 4007, 4008, 4011, 4014, 4016, 4020, 4021, 4025, 4846.			
56	280439	Pulley—Starter	75	224061	Washer—Spring			
57	490179	Spring—Rewind Starter	76	68238	Washer—Sealing			
58	66734	Rope—Starter (48—5/8" Long) ——— Note ——— 280406 Rope—Starter (82" Long) 280399 Rope—Starter (99" Long)	200	490529	Blade—Governor			
60	393152	Grip—Starter Rope	305	93158	Screw—Sem			
66	399671	Clutch—Starter	333	397316	Armature—Magnet			
67	394897	Housing—Clutch	334	93381	Screw—Sem			
68	63770	Ball—Clutch	356	490346	Wire—Stop			
70	298799	Ratchet—Clutch	363	19069	Flywheel Puller			
71	394506	Washer—Retainer	608	491046	Starter—Rewind (10 o'clock)			

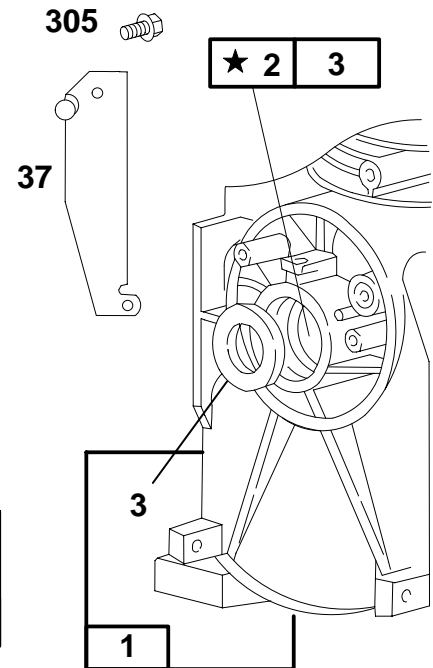
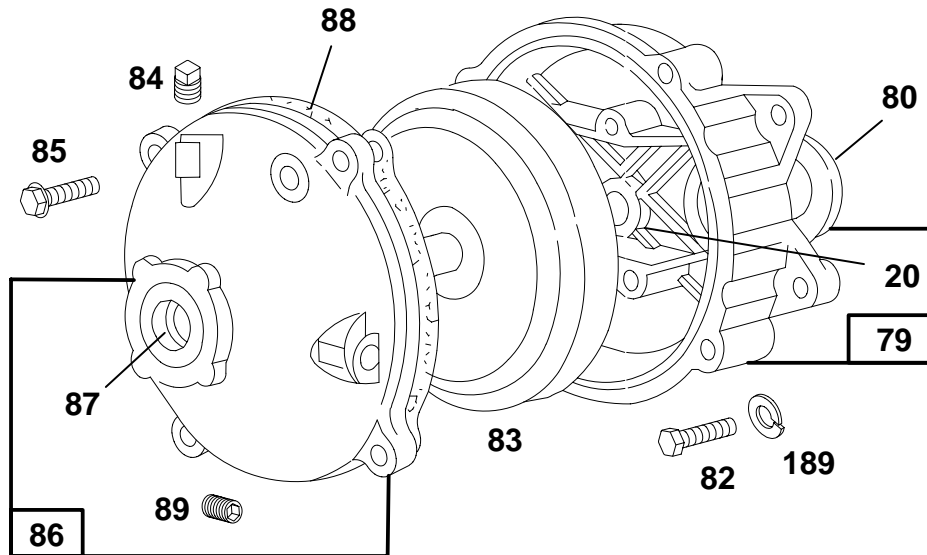
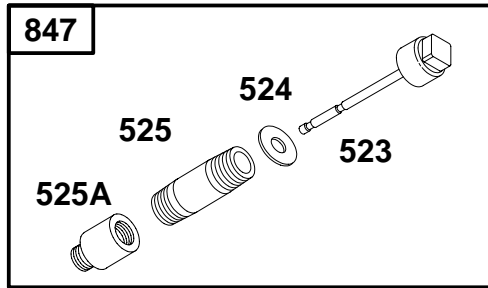
★ Included in Gasket Set—See Ref. 358.
● Included in Carburetor Kit—See Ref. 121.

82200 to 82299



REF. NO.	PART NO.	DESCRIPTION	REF. NO.	PART NO.	DESCRIPTION	REF. NO.	PART NO.	DESCRIPTION
56	280439	Pulley–Starter	74A	94418	Screw–Starter Mtg. (Used After Code Date 88020700). Note 93067 Screw–Starter Mounting (Used Before Code Date 88020800).	325	280810	Pulley–Starter
57	490179	Spring–Rewind Starter				325A	298731	Pulley–Starter (Special, 5/8" Dia. Hole)
58	66734	Rope–Starter (48–5/8" Long) Note 280406 Rope–Starter (82" Long) 280399 Rope–Starter (99" Long)	75	224061	Washer–Spring	330	69932	Rope–Starter
59	490653	Insert–Starter Grip	304	491117	Housing–Blower Note 490443 Housing–Blower Used on Type No(s). 0325, 0328, 0350.	332	92284	Nut–Flywheel
59A	230228	Pin–Starter Grip				608A	494068	Starter–Rewind (10 o'clock)
60A	490652	Grip–Starter Rope				949	281192	Guard–Finger (Used After Code Date 91080400). Note 280684 Guard–Finger (Used Before Code Date 91080500).
60B	66728	Grip–Starter Rope	305	93158	Screw–Sem			
73	221661	Screen–Rotating						

★ Included in Gasket Set–See Ref. 358.
● Included in Carburetor Kit–See Ref. 121.



★ REQUIRES SPECIAL TOOLS TO INSTALL. SEE REPAIR INSTRUCTION MANUAL.

REF. NO.	PART NO.	DESCRIPTION	REF. NO.	PART NO.	DESCRIPTION	REF. NO.	PART NO.	DESCRIPTION
1	395567	Cylinder Assembly	82A	92279	Screw-Hex. Hd. (1-1/2" Long)	189	90366	Washer-Lock
2	399269	Bushing	83	211293	Shaft Assembly-Drive	305	93158	Screw-Sem
3	★299819	Seal-Oil	84	92617	Plug-Breather	523	297357	Cap-Oil Fill
20	393812	Seal-Oil	85	92747	Screw-Gear Cover	524	65304	Gasket-Cap
37	220971	Guard-Flywheel	86	291730	Cover Assembly-Gear	525	91258	Nipple-Pipe
79	290779	Case Assy.-Gear	87	★19011	Seal-Oil	525A	394884	Adapter-Oil Fill
80	★27667	Gasket-Gear Case	88	★27313	Gasket-Cover	847	493955	Tube Assy.-Oil
81	220234	Lock-Screw	89	93448	Plug-Oil Drain			
82	91541	Screw-Hex. Hd. (7/8" Long)						

★ Included in Gasket Set-See Ref. 358.
 ● Included in Carburetor Kit-See Ref. 121.

82200 to 82299

REF. NO.	PART NO.	DESCRIPTION	REF. NO.	PART NO.	DESCRIPTION	REF. NO.	PART NO.	DESCRIPTION
13	94547	Screw—Cylinder Head Note 94547 Screw—Cylinder Head 93583 Stud—Cylinder Head 22963 Washer Used on Type No(s). 0311, 0313, 0318, 0322, 0323, 0331, 0355, 0362, 0371, 0377, 0381, 0382, 0389, 4002, 4003, 4004, 4005, 4007, 4008, 4010, 4011, 4015, 4016, 4018, 4019, 4035, 4036, 4045, 4049, 4090, 4091, 4092, 4844, 4845, 4846, 8309.			493767 Crankshaft (Used After Code Date 93071800). Used on Type No(s). 0392, 0393. 493849 Crankshaft (Used Before Code Date 93071900). Used on Type No(s). 0312, 0315, 0318, 0322, 0324, 0354, 0357, 0377, 0386, 0393, 2140, 4002, 4003, 4016, 4018, 4019. 495210 Crankshaft (Used After Code Date 93071800). 492095 Crankshaft (Used Before Code Date 93071900). Used on Type No(s). 0311, 0313, 0319, 0321, 0344, 0348, 0349, 0350, 0364, 0368, 0369, 0373, 0384, 0385, 2136, 4004, 4008, 4025, 4036, 4091.	22	94607	Screw—Hex. Head Note 92747 Screw—Gear Cover Used in Two Top Holes to Mount Cover Used on Model Series 82252. 93656 Stud—Crkscse. Used in No. 1 Position. 90832 Washer—Lock Used on Type No(s). 0389, 4002, 4003, 4007, 4008, 4015, 4035, 4036, 4045, 4090, 4091, 4846.
16	495211	Crankshaft (Used After Code Date 93071800). 493633 Crankshaft (Used Before Code Date 93071900). Note To Replace Crankshaft Gear Pin— Order Part No. 230978. 397252 Crankshaft Used on Type No(s). 0325, 0346, 0361, 0385, 4006, 4014, 4021. 399006 Crankshaft (Used After Code Date 93071800). 494033 Crankshaft (Used Before Code Date 93071900). Used on Type No(s). 4844, 4845, 8244, 8305. 493599 Crankshaft Used on Type No(s). 0302, 0316, 0323, 0336, 0337, 0340, 0341, 0342, 0360, 0367, 0374, 0382, 2149, 2152, 4005, 4010, 4011, 4049, 4092.	17	495484	Bearing—Ball (Used After Code Date 93071800). Note 99158 Bearing—Ball (Used Before Code Date 93071900).	25	295455	Piston Assembly (Standard) 295456 Piston Assy. (.010" O.S.) 295457 Piston Assy. (.020" O.S.) 295458 Piston Assy. (.030" O.S.)
			18	496674	Cover—Crankcase (Used After Code Date 93071800). 395259 Cover— Crankcase (Used Before Code Date 93071900). Used on Model Series 82232. Note 496679 Cover— Crankcase (Used After Code Date 93071800). 394909 Cover— Crankcase (Used Before Code Date 93071900). Used on Model Series 82252.	33	262986	Valve—Exhaust (Used After Code Date 93120700). 262580 Valve—Exhaust (Used Before Code Date 93120800 and After Code Date 90051300). 260443 Valve—Exhaust (Used Before Code Date 90051400). Note 296676 Valve—Exhaust Include(s): 93312 Retainer Used on Type No(s). 0314, 0315, 0316, 0320, 0324, 0325, 0326, 0327, 0328, 0333, 0335, 0336, 0342, 0344, 0347, 0350, 0351, 0354, 0357, 0358, 0360, 0361, 0364, 0369, 0370, 0371, 0372, 0373, 0384, 0385, 0390, 0391, 2150, 2152, 4007, 4008, 4011, 4014, 4016, 4020, 4021, 4025, 4845, 4846, 8309.

- ★ Included in Gasket Set—See Ref. 358.
- Included in Carburetor Kit—See Ref. 121.

82200 to 82299

REF. NO.	PART NO.	DESCRIPTION	REF. NO.	PART NO.	DESCRIPTION	REF. NO.	PART NO.	DESCRIPTION
36	260552	Spring-Valve (Exhaust) (Used After Code Date 93120700). 262750 Spring-Valve (Exhaust) (Used Before Code Date 93120800 and After Code Date 90051300). 26826 Spring-Valve (Exhaust) (Used Before Code Date 90051400). ————— Note ————— 26478 Spring-Valve (Exhaust) Used on Type No(s). 2150, 2152, 4011.			————— Note ————— 495460 Carburetor (For 3 Quart Tank) 495461 Carburetor (For 1 Quart Tank) 496434 Carburetor (For 2 Quart Tank) Used on Type No(s). 0386, 0393.			0373, 0377, 0384, 0385, 4002. 495368 Tank-Fuel (1 Quart) Used on Type No(s). 0315, 0321, 0323, 0324, 0327, 0357, 4016.
			90A	495458	Carburetor (For 2 Quart Tank) ————— Note ————— 495457 Carburetor (For 3 Quart Tank) (Used After Code Date 92090600). 492643 Carburetor (Used Before Code Date 92090700).	219	494845	Gear-Governor (Mech. Gov.) (Used After Code Date 91060900). ————— Note ————— 391737 Gear-Gov. (Used Before Code Date 91061000).
41	491442	Retainer-Valve (Used Before Code Date 93120800 and After Code Date 90051300). ————— Note ————— 292259 Retainer-Valve (Used Before Code Date 90051400).	180	495377	Tank-Fuel (2 Qt.) (Used After Code Date 92060700). 490502 Tank-Fuel (2 Qt.) (Used Before Code Date 92060800). ————— Note ————— 495391 Tank- Fuel (3 Quart) Used on Type No(s). 0301, 0302, 0311, 0313, 0314, 0317, 0318, 0319, 0324, 0326, 0337, 0341, 0342, 0348, 0349, 0358, 0360,0369,	358	495602	Gasket Set (Used After Code Date 92060700). ————— Note ————— 397144 Gasket Set (Used Before Code Date 92060800).
90	495459	Carburetor (Air Vane) (For 2 Quart Tank) (Used After Code Date 92090600). 492645 Carburetor (Used Before Code Date 92090700).				526	93343	Screw-Sem ————— Note ————— 93686 Screw-Self Tap. Use(s): 66432 Washer Used on Type No(s). 0315, 0321, 0327, 0357, 4016.
						611	391813	Tube-Pick-Up ————— Note ————— 297219 Tube-Pick-Up Used on Type No(s). 0315, 0321, 4016.

- ★ Included in Gasket Set-See Ref. 358.
- Included in Carburetor Kit-See Ref. 121.

Free Manuals Download Website

<http://myh66.com>

<http://usermanuals.us>

<http://www.somanuals.com>

<http://www.4manuals.cc>

<http://www.manual-lib.com>

<http://www.404manual.com>

<http://www.luxmanual.com>

<http://aubethermostatmanual.com>

Golf course search by state

<http://golfingnear.com>

Email search by domain

<http://emailbydomain.com>

Auto manuals search

<http://auto.somanuals.com>

TV manuals search

<http://tv.somanuals.com>