



Installation & Operator's Manual Guide d'Installation et d'Utilisation Manual de Instalación y del Operario

Questions? Help is just a moment away!

Preguntas? La ayuda es justa
un momento lejos!

Vous avez des questions? Vous n'avez pas
besoin d'aller loin pour trouver de l'aide!

Call: **Transfer Switch Helpline**

Llamada: **Línea Directa de
Interruptor de Transferencia**

Appelez: **Ligne Directe de
Commutateur de Transfert**

1-800-743-4115 M-F 8-5 CT

BRIGGSandSTRATTON.COM



100 Amp / 200 Amp Automatic Transfer Switch



c  **US**
1008 LISTED

Models 01813-1, 01814-1, 01928-1 & 01929-1
Part No. 200931GS Rev.A (03/21/07)


TABLE OF CONTENTS


TABLE OF CONTENTS	2	Automatic Sequence.	10
IMPORTANT SAFETY INSTRUCTIONS	3	Utility Fail.	10
INTRODUCTION	4	Engine Warm-Up	10
For the Home Owner:	4	Transfer	10
For the Installing Dealer/Contractor:	4	Utility Pickup	10
Owner Orientation	5	Retransfer	10
Installer Responsibilities	5	Engine Cool Down	10
Equipment Description.	5	When Calling The Factory	10
INSTALLATION.	6	SPECIFICATIONS	11
Unpacking	6	Model 01813-1	11
Delivery Inspection	6	Model 01814-1	11
Shipment Contents	6	Model 01928-1	11
Mounting Guidelines	6-7	Model 01929-1	11
Power Wiring Interconnections	8-9	TROUBLESHOOTING	12
Supervisory Control Wiring.	8	NOTES	13 & 20
SYSTEM OPERATION.	10	DIAGRAMS, EXPLODED VIEWS, PARTS LISTS	14-19
TESTING THE AUTOMATIC TRANSFER SWITCH	10	WARRANTY	21

Copyright © 2007 Briggs & Stratton Power Products Group, LLC. All rights reserved. No part of this material may be reproduced or transmitted in any form by any means without the express written permission of Briggs & Stratton Power Products Group, LLC.

SAVE THESE INSTRUCTIONS



IMPORTANT SAFETY INSTRUCTIONS

 This is the safety alert symbol. It is used to alert you to potential personal injury hazards. Obey all safety messages that follow this symbol to avoid possible injury or death.


The safety alert symbol () is used with a signal word (DANGER, CAUTION, WARNING), a pictorial and/or a safety message to alert you to hazards. **DANGER** indicates a hazard which, if not avoided, **will** result in death or serious injury. **WARNING** indicates a hazard which, if not avoided, **could** result in death or serious injury. **CAUTION** indicates a hazard which, if not avoided, **might** result in minor or moderate injury. **CAUTION**, when used **without** the alert symbol, indicates a situation that could result in equipment damage. Follow safety messages to avoid or reduce the risk of injury or death.


The manufacturer cannot possibly anticipate every possible circumstance that might involve a hazard. The warnings in this manual, and the tags and decals affixed to the unit are, therefore, not all-inclusive. If you use a procedure, work method or operating technique that the manufacturer does not specifically recommend, you must satisfy yourself that it is safe for you and others. You must also make sure that the procedure, work method or operating technique that you choose does not render the transfer switch unsafe.

 **WARNING**
Only qualified electricians should attempt installation of this system, which must strictly comply with applicable codes, standards and regulations.


 **WARNING**
 Low voltage wire cannot be installed in same conduit as power voltage wiring.


- Failure to follow above warning could cause personal injury, damage and/or malfunction of equipment.

 **WARNING**

 Failure to properly ground transfer switch can result in electrocution.

- DO NOT touch bare wires or receptacles.
- DO NOT use transfer switch with worn, frayed, bare or otherwise damaged wiring.
- DO NOT handle electrical cords while standing in water, while barefoot, or while hands or feet are wet.
- If you must work around a unit while it is operating, stand on an insulated dry surface to reduce shock hazard.
- DO NOT allow unqualified persons or children to operate or service transfer switch.
- In case of an accident caused by electrical shock, immediately shut down the source of electrical power and contact local authorities. **Avoid direct contact with the victim.**

 **WARNING**

 Transfer Switch contains high voltage that can cause personal injury or death.

- Despite the safe design of the transfer switch, operating this equipment imprudently, neglecting its maintenance or being careless can cause possible injury or death.

CAUTION

Improper treatment of transfer switch can damage it and shorten its life.

- Use transfer switch only for intended uses.
- If you have questions about intended use, ask dealer or contact Briggs and Stratton Power Products.
- DO NOT expose transfer switch to excessive moisture, dust, dirt, or corrosive vapors.
- Remain alert at all times while working on this equipment. NEVER work on the equipment when you are physically or mentally fatigued.
- If connected devices overheat, turn them off and turn off their circuit breaker/fuse.

INTRODUCTION

Thank you for your purchase of this Briggs & Stratton Power Products Automatic Transfer Switch. This product is intended for use with Briggs & Stratton Home Standby Generator sets **ONLY**. This is an optional home standby system which provides an alternate source of electric power and to serve loads such as a gas furnace, refrigeration and communication systems that, when stopped during any power outage, could cause discomfort, or the like. This product **DOES NOT** qualify for emergency standby as defined by NFPA 70 (NEC).

Briggs and Stratton Power Products (BSPP) has made every effort to provide for a safe, streamlined and cost-effective installation. Each installation is unique, it is impossible to know of and advise of all conceivable procedures and methods by which installation might be achieved. We do not know all possible hazards and/or the results of each method or procedure. For these reasons,

Only licensed electrical contractors should install transfer switches.

Installations must strictly comply with all applicable federal, state and local codes, standards and regulations.

Your BSPP Transfer Switch is supplied with this combined "Installation and Operator's Manual". This is an important document and should be retained by the owner after the installation has been completed.

Every effort has been expended to make sure that the information in this manual is both accurate and current. However, the manufacturer reserves the right to change, alter or otherwise improve the system at any time without prior notice.

For the Home Owner

To help you make informed choices and communicate effectively with your installation contractor(s),

Read and understand the Owner Orientation Section of this manual BEFORE contracting or starting your transfer switch installation.

To arrange for proper installation, contact the store at which you purchased your BSPP Transfer Switch, your dealer, or your utility power provider.

The Transfer Switch Warranty is VOID unless the system is installed by a licensed electrical professional.

For the Installing Dealer/Contractor

Check federal, state and local codes for questions on installation.

If you need more information about the transfer switch, call 1-800-743-4115, between 8:00 AM and 5:00 PM CT.

Owner Orientation

The illustrations are for typical circumstances and are meant to familiarize you with the installation options available with your transfer switch.

Local codes, appearance, and distances are the factors that must be considered when negotiating with an installation professional. As the distance from the existing electrical service increases, compensation in wiring materials must be allowed for. This is necessary to comply with local codes and overcome electrical voltage drops.

The factors mentioned above will have a direct effect on the overall price of your transfer switch installation.

NOTE: Your installer must check local codes AND obtain permits before installing the system.

- Read and follow the instructions given in this manual.
- Follow a regular schedule in caring for and using your transfer switch, as specified in the manual.

Installer Responsibilities

- Read and observe the safety rules.
- Read and follow the instructions given in this manual.
- Check federal, state and local codes.
- Ensure generator is not overloaded with selected loads.

Equipment Description

The transfer switches are intended to transfer the entire load of normal residential installations when used with the supervisory contacts provided. The load is connected either to utility power (normal) or home standby power (generator). The transfer switch monitors utility and generator voltages and will automatically connect to the appropriate source of power.

Major components of the transfer switch are a 2 pole disconnect circuit breaker (models 01928-1 & 01929-1 only), a 2 pole double throw transfer switch, control circuit board, fused utility terminals and interconnecting wiring.

The transfer switch is solenoid-operated from utility or generator inputs and contain suitable mechanical and electrical interlock switches to eliminate the possibility of connecting the utility service to the generator output. It has ratings capable of switching full utility power into the residence. In addition, a manual override lever is provided for the transfer function.

The control circuit board has active circuits sensing utility and generator voltages. It creates a signal for the generator start-up, switch transfer, retransfer when utility is restored and generator cool down periods. The control board also contains red and green LED's indicating the power sources available and two relay operated contacts that provide supervisory control of external loads.

INSTALLATION

Unpacking

Delivery Inspection

After removing the carton, carefully inspect the transfer switch components for any damage that may have occurred during shipment.

IMPORTANT: If loss or damage is noted at time of delivery, have the person(s) making delivery note all damage on the freight bill and affix his signature under the consignor's memo of loss or damage. If loss or damage is noted after delivery, contact the carrier for claim procedures. Missing or damaged parts are not warranted.

Shipment Contents

- Automatic Power Transfer Switch
- Installation and Operator's Manual

Mounting Guidelines

The Automatic Transfer Switch is enclosed in a NEMA Type 3R enclosure suitable for indoor/outdoor use. Guidelines for mounting the Automatic Transfer Switch include:

- Install the switch on a firm, sturdy supporting structure.
- The switch must be installed with minimum NEMA 3R hardware for conduit connections.
- To prevent switch contact distortion, level and plumb the enclosure. This can be done by placing washers between the switch enclosure and the mounting surface.
- NEVER install the switch where any corrosive substance might drip onto the enclosure.
- Protect the switch at all times against excessive moisture, dust, dirt, lint, construction grit and corrosive vapors.

A typical installation of the Automatic Power Transfer Switch for Models 01813-1 and 01814-1 is depicted in Figure 1. A typical installation of the Automatic Power Transfer Switch for Models 01928-1 and 01929-1 is depicted in Figure 2. An alternative installation of the Automatic Power Transfer Switch is depicted in Figure 3. It is best if it is mounted near the utility meter, either inside or outside. Discuss layout suggestions/changes with the owner before beginning the system installation process.

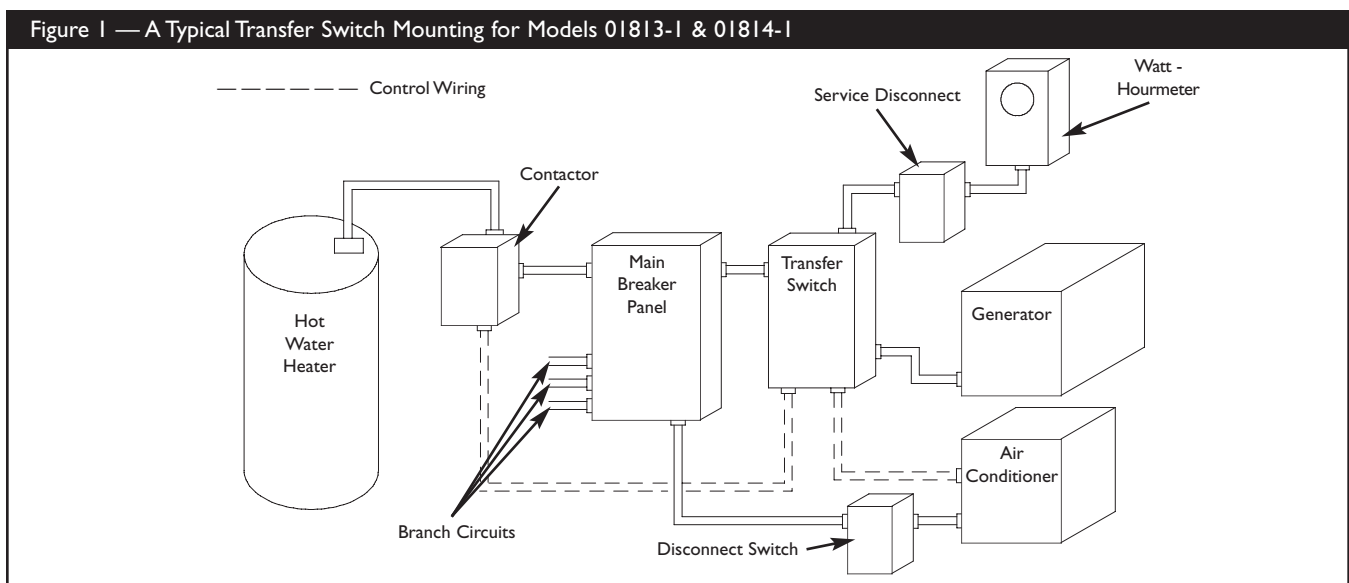


Figure 2 — A Typical Transfer Switch Mounting for Models 01928-1 & 01929-1

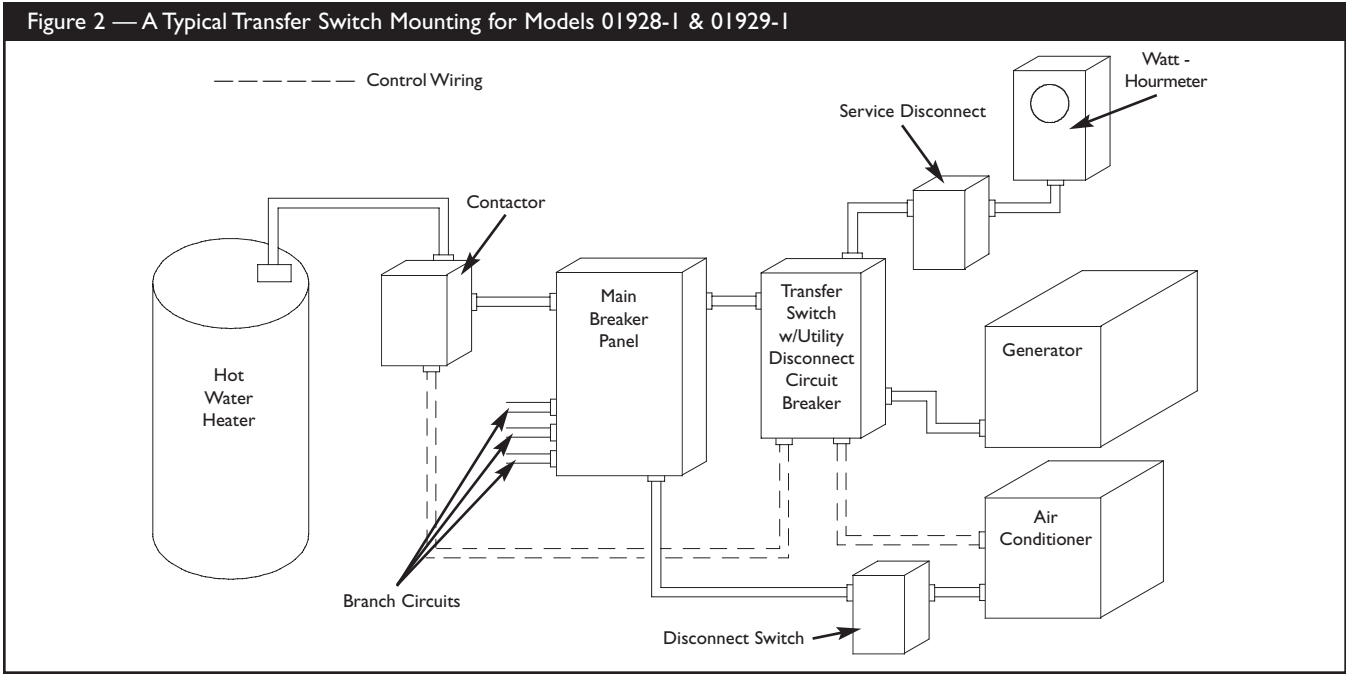
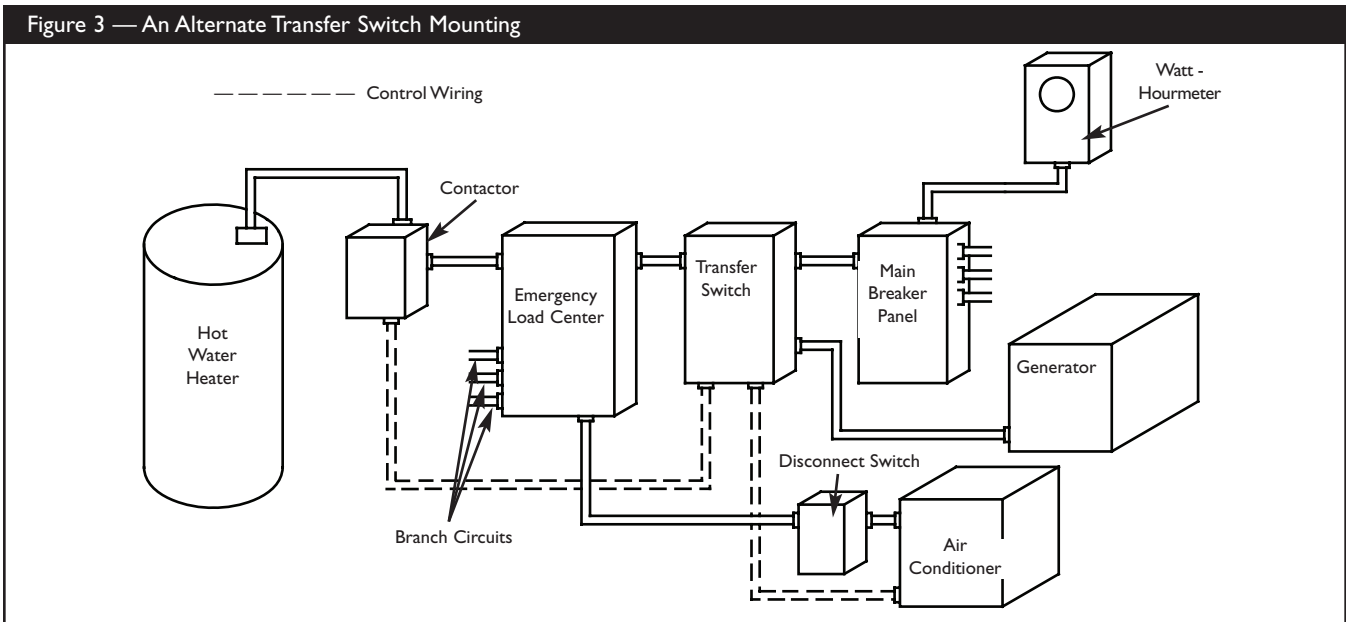


Figure 3 — An Alternate Transfer Switch Mounting



Power Wiring Interconnections

All wiring must be the proper size, properly supported and protected by conduit.

Complete the following connections between the transfer switch, main distribution panel, utility power and generator (Figure 4, on next page).

WARNING



Low voltage wire cannot be installed in same conduit as power voltage wiring.

- Failure to follow above warning could cause personal injury, damage and/or malfunction of equipment.

1. Ensure utility power is turned OFF. Connect utility power supply leads to transfer switch terminals marked "UTILITY CONNECTION".
2. Connect utility neutral to the transfer switch "NEUTRAL" terminal.
3. Connect main distribution panel power leads to transfer switch terminals marked "LOAD CONNECTION".
4. Connect main distribution panel neutral lead to transfer switch "NEUTRAL" terminal.
5. Connect generator power supply leads from the generator's control panel to transfer switch terminals marked "GENERATOR CONNECTION".
6. Connect generator Neutral from the control panel to the transfer switch "NEUTRAL" terminal.
7. Connect generator "GND" from the control panel to the transfer switch "GND" terminal.
8. Connect main distribution panel "GND" to the transfer switch "GND" terminal.

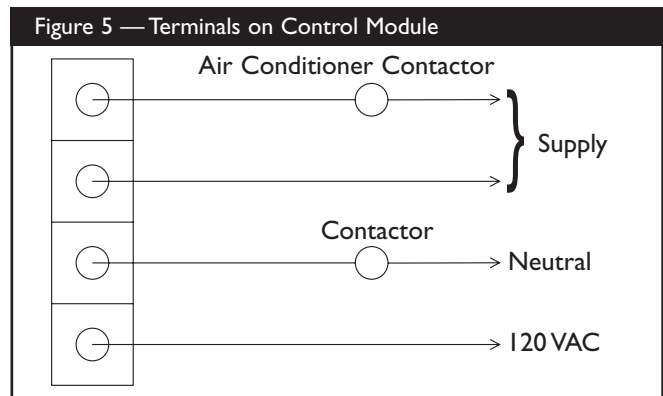
NOTE: Assure grounding electrode conductor is connected and bonded per applicable federal, state and local codes, standards and regulations.

9. Connect generator utility 240 VAC terminals to transfer switch utility 240 VAC terminals.
10. Tighten all wire connections/fasteners to proper torque. See inside transfer switch enclosure for proper torque values.

Supervisory Control Wiring

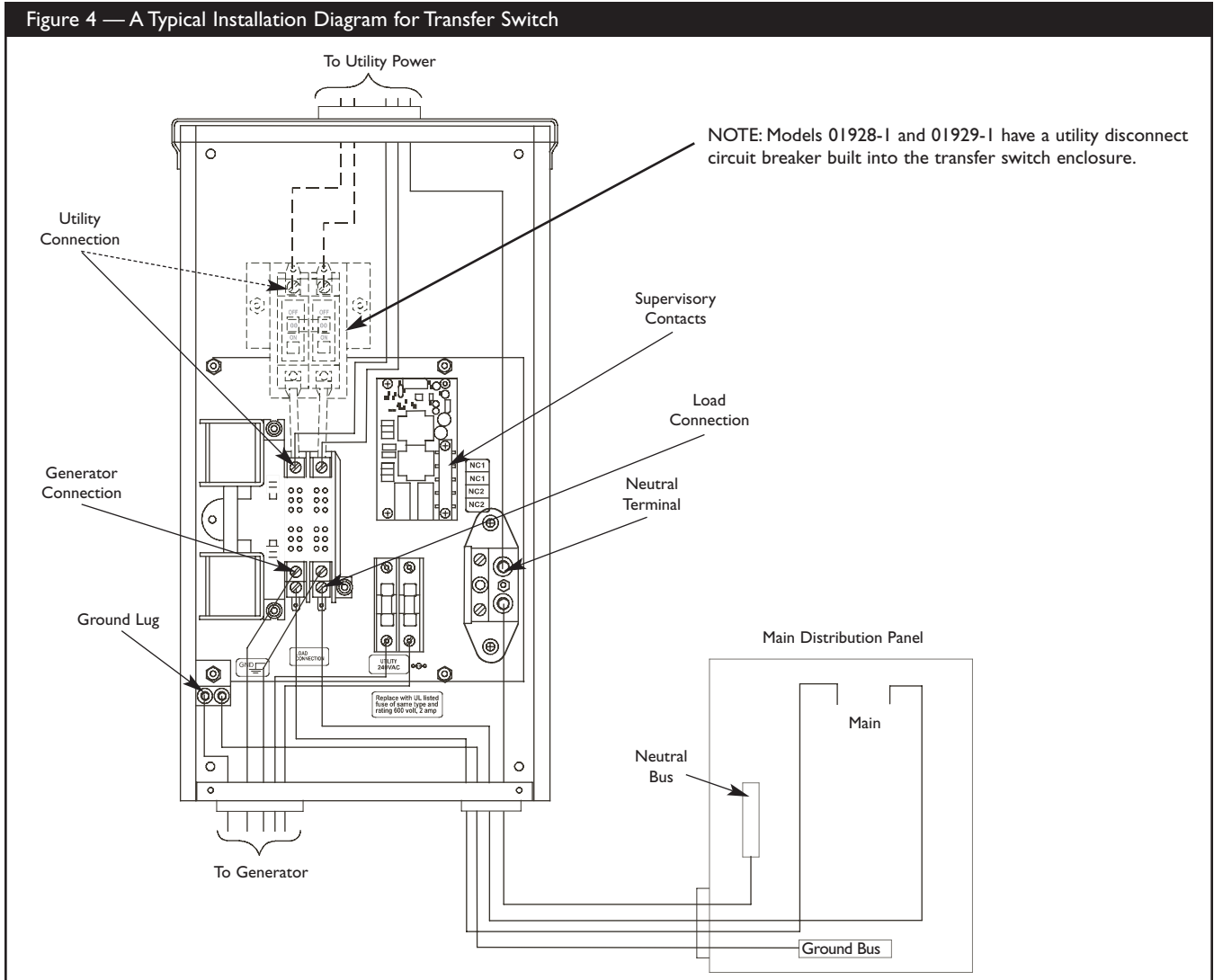
Terminal strip on control module in transfer switch has four connections for customer use. There are two sets of "Normally Closed" contacts available. They will be opened when generator power is required. These can be used to lock out large loads when powered by generator. Example: air conditioner, hot water heater, etc..

1. Terminals on control module are for installer supplied contactors to lock out large loads. Example: air conditioner, electric hot water heater, etc.. Contacts are connected in series with the contactor control circuit (Figure 5).



2. Tighten all wire connections/fasteners to proper torque. See inside transfer switch enclosure for proper torque values.

Figure 4 — A Typical Installation Diagram for Transfer Switch



SYSTEM OPERATION

To select automatic transfer operation, do the following:

- I.A. For models 01813-1 & 01814-1, set service disconnect switch that sends utility power to transfer switch contactor to “**On**” position.
- B. For models 01928-1 & 01929-1, set service disconnect switch that sends utility power to transfer switch utility disconnect circuit breaker to “**On**” position.
2. For models 01928-1 & 01929-1, set transfer switch utility disconnect circuit breaker to “**On**” position.
3. Set generator's main circuit breaker to its “**On**” position.
4. Install 15 Amp fuse in control panel on generator.
- 5A. If generator is equipped with a system ON/OFF switch, set switch to “**On**” position.
- B. If generator is equipped with a AUTO/OFF/MANUAL switch, set switch to “**AUTO**” position.

The system will now be in automatic operation mode.

TESTING THE AUTOMATIC TRANSFER SWITCH

Turn the service disconnect feeding the transfer switch, to the “**Off**” position. The automatic sequence will follow. To go back to utility power, turn the service disconnect to the “**On**” position.

Automatic Sequence

Utility Fail

The Home Standby Generator set senses when utility voltage is below 70 percent of nominal. Engine start sequence is initiated after 6 second time delay.

Engine Warm-Up

Time delay to allow for engine warm-up before transfer fixed at 20 seconds or 50 seconds with removal of jumper on control board.

Transfer

Transfer from utility to standby supply occurs after standby voltage is above set levels. Minimum engine run time is 5 minutes after transfer.

Utility Pickup

Voltage pickup level is 80 percent of nominal voltage.

Retransfer

Retransfer from standby to utility supply is approximately 10 seconds after utility voltage supply is above pickup level and minimum run time is completed.

Engine Cool Down

Engine will run for 60 seconds after retransfer.

When Calling the Factory

Before contacting Briggs and Stratton Power Products regarding service or repair of this transfer switch, obtain the Model Number and Serial Number from the unit data decal located on or inside the case.

To contact Briggs and Stratton Power Products call 1-800-743-4115, between 8:00 AM and 5:00 PM CT.

SPECIFICATIONS

UL® 1008 Listed Transfer Switch

Model 01813-1

Maximum Load Current: 100 Amps
Rated AC Voltage 250 Volts
Poles 2
Frequency 50/60 Hz
Fault Current Rating 22,000 RMS Symmetrical
Amperes
Supervisory Contacts Rating . . . 1 Amp, 125 Volt AC, Pilot
Duty
Weight 21 lbs.

Model 01814-1

Maximum Load Current: 200 Amps
Rated AC Voltage 250 Volts
Poles 2
Frequency 50/60 Hz
Fault Current Rating 25,000 RMS Symmetrical
Amperes
Supervisory Contacts Rating . . . 1 Amp, 125 Volt AC, Pilot
Duty
Weight 34 lbs.

Model 01928-1

Maximum Load Current: 100 Amps
Rated AC Voltage 250 Volts
Poles 2
Frequency 50/60 Hz
Fault Current Rating 22,000 RMS Symmetrical
Amperes
Supervisory Contacts Rating . . . 1 Amp, 125 Volt AC, Pilot
Duty
Weight 32 lbs.

Model 01929-1

Maximum Load Current: 200 Amps
Rated AC Voltage 250 Volts
Poles 2
Frequency 50/60 Hz
Fault Current Rating 25,000 RMS Symmetrical
Amperes
Supervisory Contacts Rating . . . 1 Amp, 125 Volt AC, Pilot
Duty
Weight 44 lbs.

TROUBLESHOOTING

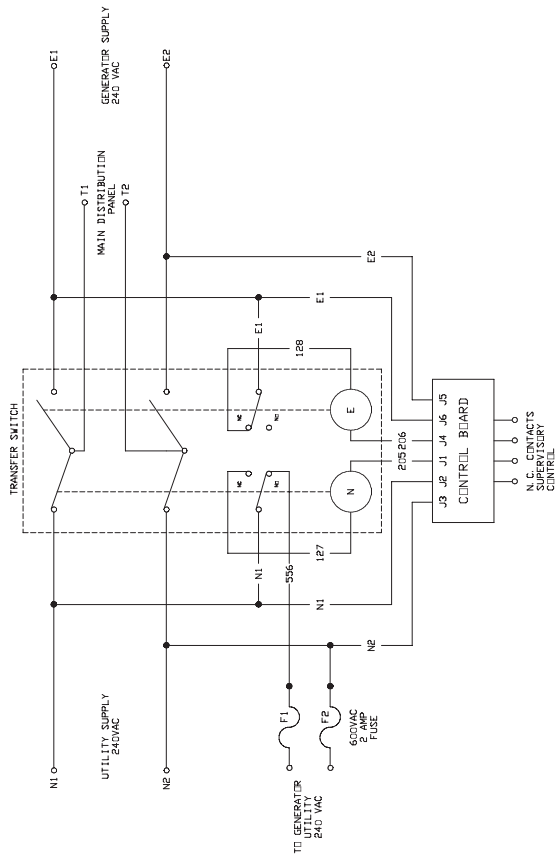
Problem	Cause	Correction
Automatic transfer switch does not transfer to generator	<ol style="list-style-type: none"> 1. Generator breaker open. 2. Generator voltage not acceptable. 	<ol style="list-style-type: none"> 1. Reset generator circuit breaker. 2. Refer to generator manual.
Automatic transfer switch does not transfer to utility	<ol style="list-style-type: none"> 1. Utility disconnect breaker open (Models 01928-1 & 01929-1 only). 2. Service disconnect breaker open. 3. Utility voltage not acceptable. 	<ol style="list-style-type: none"> 1. Reset utility disconnect breaker (Models 01928-1 & 01929-1 only). 2. Reset service disconnect breaker. 3. Wait for utility voltage to return to normal.
Generator is still running after switch transfers to utility power	Engine cool down period.	Engine should stop after 1 minute.
Supervised loads (air conditioner, etc.) are operating when generator is supplying power	NC contacts not operating correctly.	Check NC contacts for proper operation and/or check control wiring to external load.
Generator is still running after utility power is restored	<ol style="list-style-type: none"> 1. Minimum engine run time has not elapsed. 2. Fuse(s) in transfer switch is defective. 	<ol style="list-style-type: none"> 1. Wait five minutes for transfer switch to retransfer to utility power. 2. Check fuse(s) and replace if necessary.

NOTES

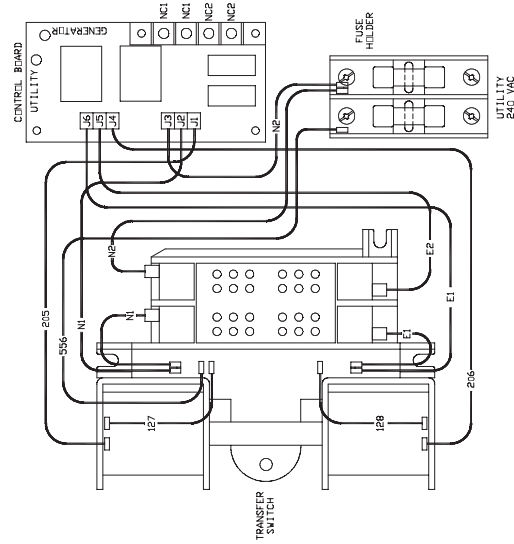
TRANSFER SWITCH SCHEMATIC

MODELS 01813-I & 01814-I

WIRE SCHEMATIC



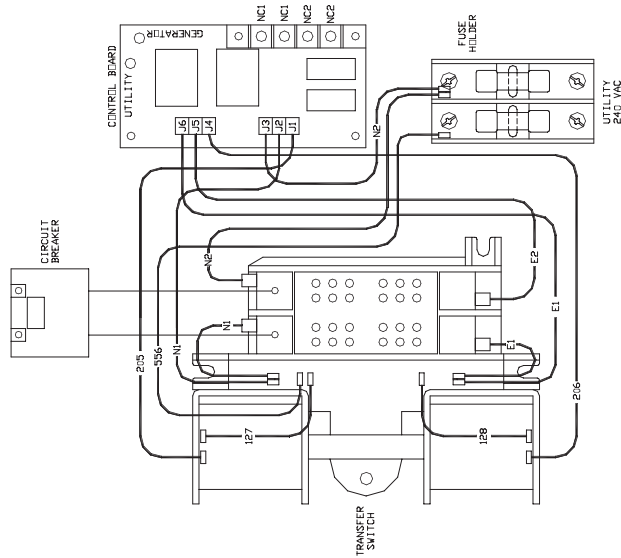
WIRE DIAGRAM



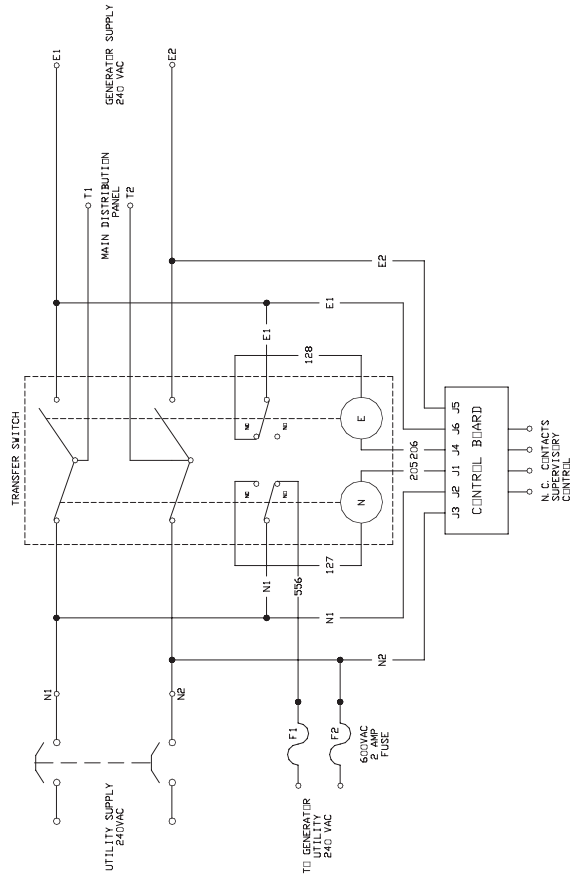
TRANSFER SWITCH WIRING DIAGRAM

MODELS 01928-I & 01929-I

WIRE DIAGRAM

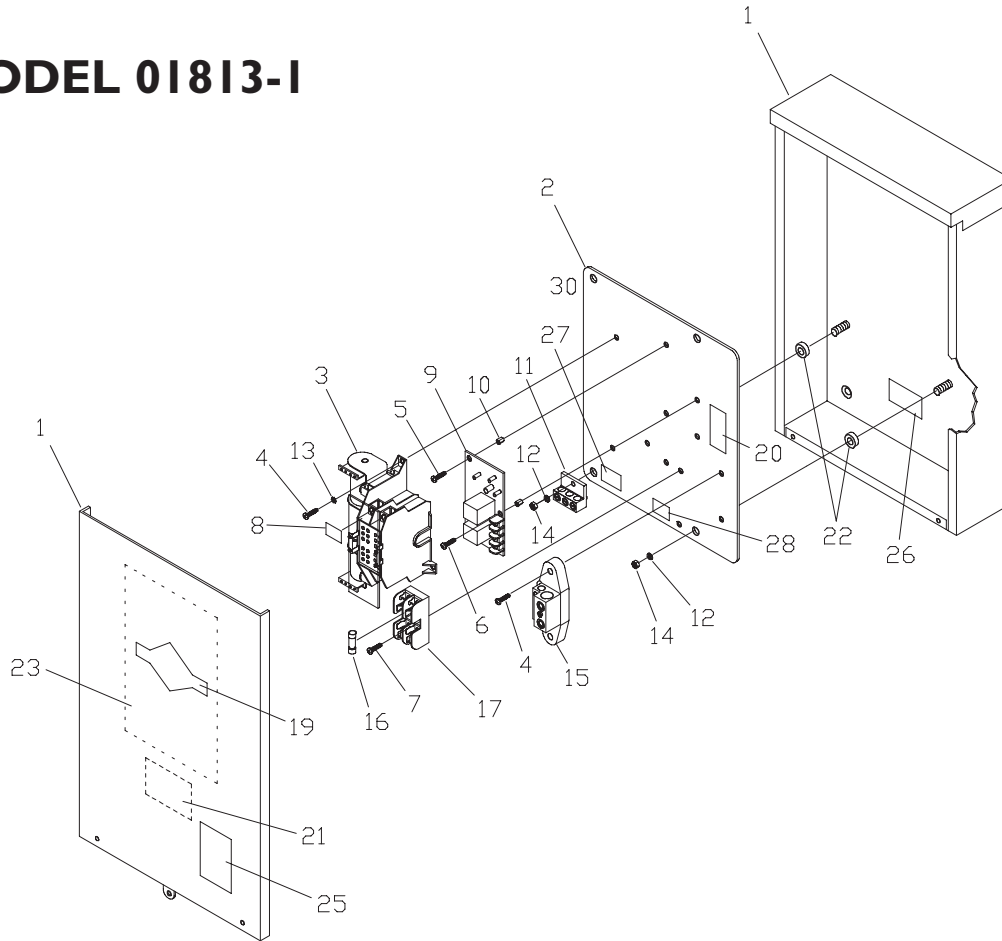


WIRE SCHEMATIC



TRANSFER SWITCH EXPLODED VIEW & PARTS LIST

MODEL 01813-I

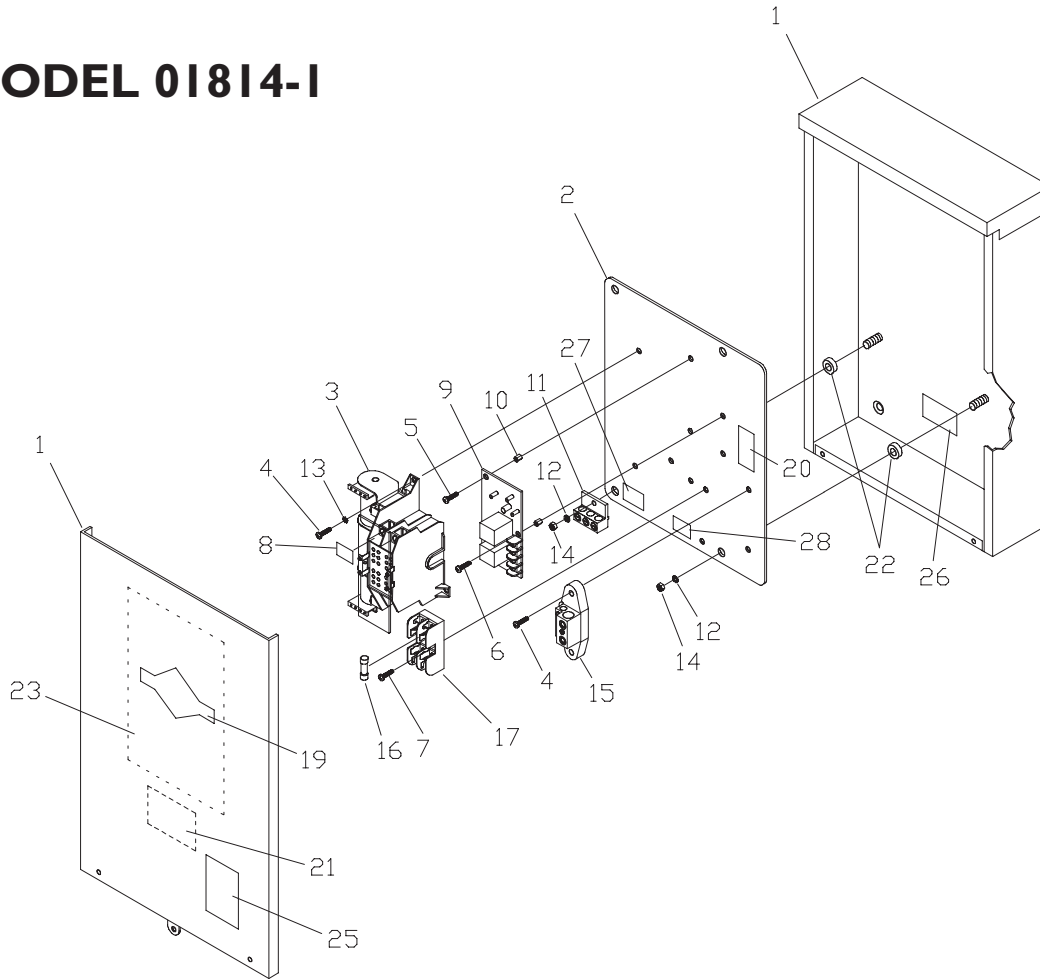


Item	Part #	Description	Item	Part #	Description
1	NSP	ENCLOSURE, 16" x 12" x 6"	15	192696GS	TERMINAL, Neutral
2	NSP	BACK PANEL	16	B4857GS	FUSE
3	195667GS	TRANSFER SWITCH, 100A, with Cover & Handle	17	192151GS	FUSE HOLDER
4	*	PPHMS, #10 - 32 x 1/2"	19	198136GS	DECAL, Logo
5	*	PPHMS, #6 - 32 x 1/4"	20	192702GS	DECAL, Term Strip
6	*	PPHMS, #6 - 32 x 1/2"	21	192165GS	DECAL, APPVD CB
7	*	PPHMS, #6-32 x 3/8"	22	192150GS	SPACER
8	193159GS	DECAL, Reinstall After	23	196522GS	DECAL, 100A, ATS
9	191668GS	CONTROL, Board	25	190992GS	DECAL, Warning Shock
10	196353GS	SPACER, Nylon	26	190984GS	DECAL, Fuse
11	196094GS	GROUND LUG	27	B4986GS	DECAL, Ground
12	*	WASHER, Lock 1/4"	28	192597GS	DECAL, Utility, 240 VAC
13	*	WASHER, Ext. Tooth, #10			
14	*	NUT, 1/4" - 20			

* - Items without part numbers are common fasteners and are available at your local hardware store.

TRANSFER SWITCH EXPLODED VIEW & PARTS LIST

MODEL 01814-I

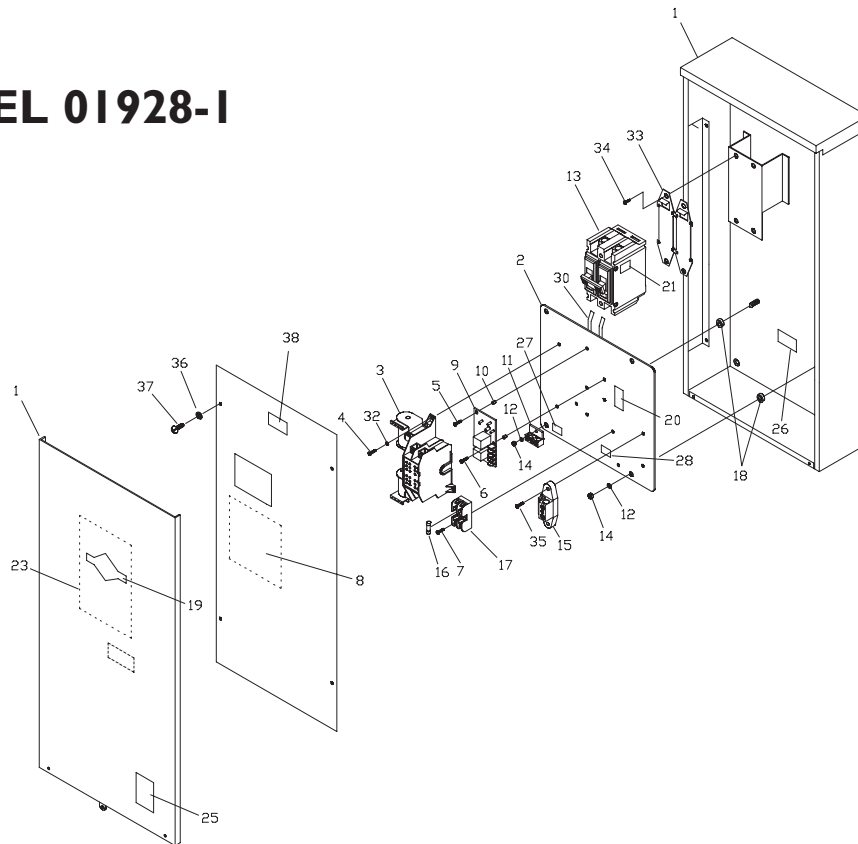


Item	Part #	Description	Item	Part #	Description
1	NSP	ENCLOSURE, 22" x 16" x 7"	15	192696GS	TERMINAL, Neutral
2	NSP	BACK PANEL	16	B4857GS	FUSE
3	195668GS	TRANSFER SWITCH, 200A, with Cover & Handle	17	192151GS	FUSE HOLDER
4	*	PPHMS, #10 - 32 x 1/2"	19	198136GS	DECAL, Logo
5	*	PPHMS, #6 - 32 x 1/4"	20	192702GS	DECAL, Term Strip
6	*	PPHMS, #6 - 32 x 1/2"	21	192166GS	DECAL, APPVD CB
7	*	PPHMS, #6- 32 x 3/8"	22	192150GS	SPACER
8	193159GS	DECAL, Reinstall After	23	196523GS	DECAL, 200A, ATS
9	191668GS	CONTROL, Board	25	190992GS	DECAL, Warning Shock
10	196353GS	SPACER, Nylon	26	190984GS	DECAL, Fuse
11	196094GS	GROUND LUG	27	B4986GS	DECAL, Ground
12	*	WASHER, Lock 1/4"	28	192597GS	DECAL, Utility 240VAC
13	*	WASHER, Ext. Tooth, #10			
14	*	NUT, 1/4" - 20			

* - Items without part numbers are common fasteners and are available at your local hardware store.

TRANSFER SWITCH EXPLODED VIEW & PARTS LIST

MODEL 01928-I

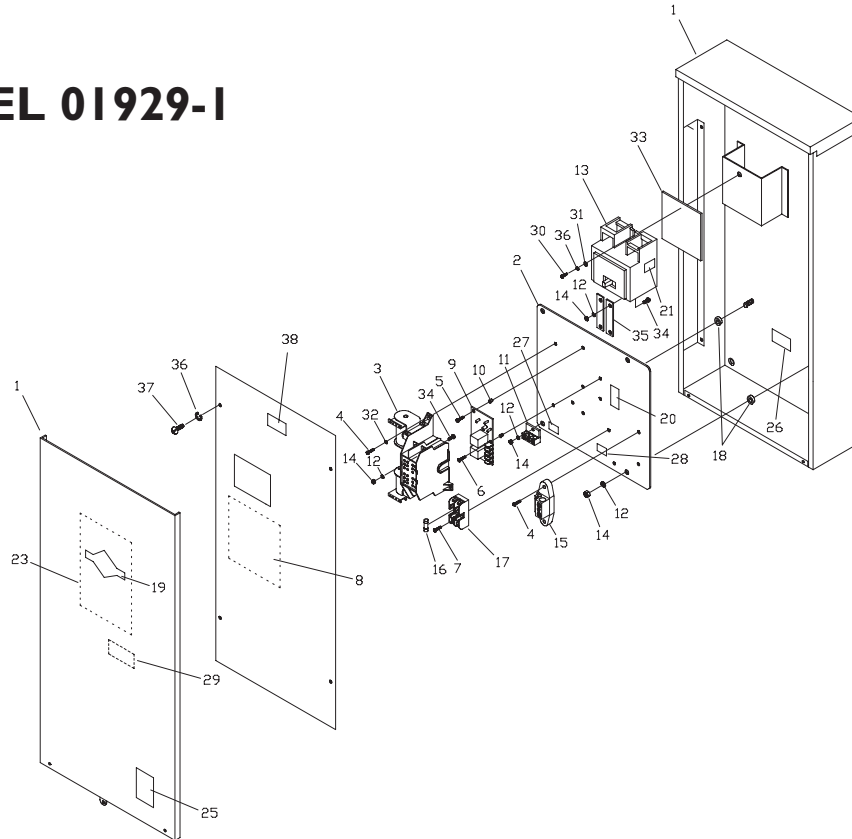


Item	Part #	Description	Item	Part #	Description
1	NSP	ASSY, Enclosure	20	192702GS	DECAL, Term Strip
2	NSP	BACK PANEL	21	B5106GS	DECAL, Connection, Utility
3	195667GS	TRANSFER SWITCH, 100A, with Handle	23	196520GS	DECAL, 100A, ATS
4	*	PPHMS, #10 - 32 x 1/2"	25	190992GS	DECAL, Warning Shock
5	*	PPHMS, #6 - 32 x 1/4"	26	190984GS	DECAL, Fuse
6	*	PPHMS, #6 - 32 x 1/2"	27	B4986GS	DECAL, Ground
7	*	PPHMS, #6- 32 x 3/8"	28	192597GS	DECAL, Sensing, Utility
8	193664GS	INSULATION, Dead Front	29	193450GS	DECAL, Breaker, Circuit
9	191668GS	CONTROL, Board	30	193689GS	WIRE, Copper
10	196353GS	SPACER, Nylon	32	*	WASHER, Ext. Tooth, #10
11	196094GS	GROUND LUG	33	192770GS	BRACKET, Circuit Breaker
12	*	WASHER, Lock 1/4"	34	*	PPHMS, 8-32x 3/8"
13	192882GS	BREAKER Circuit, 100A	35	*	PPHMS, 10-32 x 3/8"
14	*	NUT, 1/4" - 20	36	*	LOCKWASHER, #10
15	192696GS	TERMINAL, Neutral	37	*	PPHMS, #10 - 32 x 1/4"
16	B4857GS	FUSE	38	193159GS	DECAL, Reinstall Barrier
17	192151GS	FUSE HOLDER			
18	192150GS	SPACER			
19	198136GS	DECAL, Logo			

* - Items without part numbers are common fasteners and available at local hardware stores.

TRANSFER SWITCH EXPLODED VIEW & PARTS LIST

MODEL 01929-I



Item	Part #	Description	Item	Part #	Description
1	NSP	ASSY, Enclosure	20	192702GS	DECAL, Term Strip
2	NSP	BACK PANEL	21	B5106GS	DECAL, Connection, Utility
3	195668GS	TRANSFER SWITCH, 200A, with Handle	23	196521GS	DECAL, 200A, ATS
4	*	PPHMS, #10 - 32 x 1/2"	25	190992GS	DECAL, Warning Shock
5	*	PPHMS, #6 - 32 x 1/4"	26	190984GS	DECAL, Fuse
6	*	PPHMS, #6 - 32 x 1/2"	27	B4986GS	DECAL, Ground
7	*	PPHMS, #6- 32 x 3/8"	28	192597GS	DECAL, Sensing, Utility
8	193664GS	INSULATION, Dead Front	29	193450GS	DECAL, Breaker, Circuit
9	191668GS	CONTROL, Board	30	*	PPHMS, #10 - 32 x 3/4"
10	196353GS	SPACER, Nylon	32	*	WASHER, Ext. Tooth, #10
11	196094GS	GROUND LUG	33	192879GS	INSULATION, Circuit Breaker
12	*	WASHER, Lock 1/4"	34	*	PPHMS, 1/4-20x 3/4"
13	192065GS	BREAKER Circuit, 200A	35	192881GS	BUS BAR
14	*	NUT, 1/4" - 20	36	*	LOCKWASHER, #10
15	192696GS	TERMINAL, Neutral	37	*	PPHMS, #10 - 32 x 1/4"
16	B4857GS	FUSE	38	193159GS	DECAL, Reinstall Barrier
17	192151GS	FUSE HOLDER			
18	192150GS	SPACER			
19	198136GS	DECAL, Logo			

* - Items without part numbers are common fasteners and available at local hardware stores.

NOTES

BRIGGS & STRATTON POWER PRODUCTS GROUP, LLC TRANSFER SWITCH OWNER WARRANTY POLICY

Effective November 1, 2005 replaces all undated Warranties and all Warranties dated before November 1, 2005

LIMITED WARRANTY

Briggs & Stratton Power Products Group, LLC will repair or replace, free of charge, any part(s) of the equipment that is defective in material or workmanship or both. Transportation charges on product submitted for repair or replacement under this warranty must be borne by purchaser. This warranty is effective for the time periods and subject to the conditions stated below. For warranty service, find the nearest Authorized Service Dealer in our dealer locator map at BRIGGSandSTRATTON.COM.

THERE IS NO OTHER EXPRESS WARRANTY. IMPLIED WARRANTIES, INCLUDING THOSE OF MERCHANTABILITY AND FITNESS FOR A PARTICULAR PURPOSE, ARE LIMITED TO ONE YEAR FROM PURCHASE, OR TO THE EXTENT PERMITTED BY LAW. ANY AND ALL IMPLIED WARRANTIES ARE EXCLUDED. LIABILITY FOR INCIDENTAL OR CONSEQUENTIAL DAMAGES ARE EXCLUDED TO THE EXTENT EXCLUSION IS PERMITTED BY LAW. Some states or countries do not allow limitations on how long an implied warranty lasts, and some states or countries do not allow the exclusion or limitation of incidental or consequential damages, so the above limitation and exclusion may not apply to you. This warranty gives you specific legal rights and you may also have other rights which vary from state to state or country to country.

WARRANTY PERIOD

Consumer Use	3 years
Commercial Use	None

The warranty period begins on the date of purchase by the first retail consumer or commercial end user, and continues for the period of time stated in the table above. "Consumer use" means personal residential household use by a retail consumer. "Commercial use" means all other uses, including use for commercial, income producing or rental purposes. Once equipment has experienced commercial use, it shall thereafter be considered as commercial use for purposes of this warranty. Equipment used for prime power in place of utility are not applicable to this warranty.

NO WARRANTY REGISTRATION IS NECESSARY TO OBTAIN WARRANTY ON BRIGGS & STRATTON PRODUCTS. SAVE YOUR PROOF OF PURCHASE RECEIPT. IF YOU DO NOT PROVIDE PROOF OF THE INITIAL PURCHASE DATE AT THE TIME WARRANTY SERVICE IS REQUESTED, THE MANUFACTURING DATE OF THE PRODUCT WILL BE USED TO DETERMINE THE WARRANTY PERIOD.

ABOUT YOUR WARRANTY

We welcome warranty repair and apologize to you for being inconvenienced. Any Authorized Service Dealer may perform warranty repairs. Most warranty repairs are handled routinely, but sometimes requests for warranty service may not be appropriate. For example, warranty service would not apply if equipment damage occurred because of misuse, lack of routine maintenance, shipping, handling, warehousing or improper installation. Similarly, the warranty is void if the manufacturing date or the serial number on the equipment has been removed or the equipment has been altered or modified. During the warranty period, the Authorized Service Dealer, at its option, will repair or replace any part that, upon examination, is found to be defective under normal use and service. This warranty will not cover the following repairs and equipment:

- **Normal Wear:** Outdoor Power Equipment, like all mechanical devices, needs periodic parts and service to perform well. This warranty does not cover repair when normal use has exhausted the life of a part or the equipment.
- **Installation and Maintenance:** This warranty does not apply to equipment or parts that have been subjected to improper or unauthorized installation or alteration and modification, misuse, negligence, accident, overloading, improper maintenance, repair or storage so as, in our judgment, to adversely affect its performance and reliability. This warranty also does not cover normal maintenance such as adjustments, cleaning and fuse replacement.
- **Other Exclusions:** This warranty excludes wear items or damage or malfunctions resulting from accidents, abuse, modifications, alterations, or improper servicing. Accessory parts are excluded from the product warranty. This warranty excludes failures due to acts of God and other force majeure events beyond the manufacturers control. Also excluded is used, reconditioned, and demonstration equipment. 198180E, Rev. C. 12/31/2006


BRIGGS & STRATTON POWER PRODUCTS GROUP, LLC
JEFFERSON, WI, USA

TABLE DES MATIÈRES

TABLE DES MATIÈRES.....	22	MISE À L'ESSAI DU COMMUTATEUR DE TRANSFERT	
DIRECTIVES DE SÉCURITÉ IMPORTANTES.....	23	AUTOMATIQUE.....	30
INTRODUCTION.....	24	Séquence Automatique.....	30
Au Propriétaire Résidentiel.....	24	Panne de l'alimentation de service.....	30
Au Détaillant/à l'Entrepreneur Procédant à		Réchauffement du moteur.....	30
l'Installation.....	24	Transfert.....	30
Conseils au Propriétaire.....	25	Prise en charge de l'alimentation de service.....	30
Responsabilités de l'Installateur.....	25	Retransfert.....	30
Description de l'Équipement.....	25	Refroidissement du moteur.....	30
INSTALLATION.....	26	Si vous Devez Communiquer avec l'Usine.....	30
Déballage.....	26	CARACTÉRISTIQUES.....	31
Vérification de la Livraison.....	26	Modèle 01813-1.....	31
Contenu de la Boîte.....	26	Modèle 01814-1.....	31
Consignes d'Installation.....	26-27	Modèle 01928-1.....	31
Interconnexions du Câblage d'Alimentation.....	28-29	Modèle 01929-1.....	31
Câblage de contrôle.....	28	DÉPANNAGE.....	32
FONCTIONNEMENT.....	30	SCHÉMAS, VUES ÉCLATÉES, LISTES DES PIÈCES.....	14-19
		GARANTIE.....	33

VEUILLEZ CONSERVER CES INSTRUCTIONS

DIRECTIVES DE SÉCURITÉ IMPORTANTES

 Ceci est la sûreté le symbole vif. Il est utilisé pour vous alerter aux dangers de blessure personnels potentiels. Obéir tous messages de sûreté qui suivent ce symbole éviter la blessure ou la mort possibles.

Le symbole indiquant un message de sécurité est accompagné d'un mot indicateur (DANGER, ATTENTION, AVERTISSEMENT), d'un message illustré et/ou d'un message de sécurité visant à vous avertir des dangers. **DANGER** indique un danger qui, s'il n'est pas évité, *provoquera* des blessures graves, voire fatales.

AVERTISSEMENT indique un danger qui, s'il n'est pas évité, *peut* provoquer des blessures graves, voire fatales. **ATTENTION** indique un danger qui, s'il n'est pas évité, *peut* provoquer des blessures mineures ou légères. Le mot **ATTENTION**, lorsqu'il est utilisé **sans** le symbole d'alerte, indique une situation pouvant endommager l'équipement. Suivez les messages de sécurité pour éviter ou réduire les risques de blessures ou de mort.

Le fabricant ne peut anticiper toutes les circonstances potentielles pouvant comporter un danger. Par conséquent, les avertissements contenus dans le présent manuel, ainsi que les plaques et les décalques apposés sur l'unité n'englobent pas toutes les possibilités. Si vous utilisez une procédure, une méthode de travail ou une technique d'opération non spécifiquement recommandée par le fabricant, vous devez vous assurer qu'elle ne compromet pas votre sécurité ni celle des autres. Vous devez également vous assurer que la procédure, la méthode de travail ou la technique d'opération que vous choisissez ne rende pas la commutateur de transfert dangereuse.

AVERTISSEMENT

Seuls les électriciens qualifiés peuvent procéder à l'installation de ce système, laquelle doit se conformer strictement aux codes, aux normes et aux réglementations applicables.

AVERTISSEMENT



Les fils de basse tension ne peuvent être installés dans le même conduit que les fils d'alimentation.

- Le non-respect de cet avertissement pourrait entraîner des blessures personnelles et l'endommagement ou le mauvais fonctionnement de l'équipement.

AVERTISSEMENT



NE PAS relier le commutateur de transfert à la terre risque de provoquer des électrocutions.

- NE touchez PAS les fils dénudés ou les boîtiers.
- N'utilisez PAS le commutateur de transfert avec des cordons électriques usés, effilochés ou dénudés, ou abîmés de quelque sorte que ce soit.
- NE manipulez PAS les cordons d'alimentation lorsque vous êtes debout dans l'eau, pieds nus ou avec les mains ou les pieds humides.
- Si vous devez travailler autour d'une unité alors qu'elle est en marche, placez-vous sur une surface sèche isolée afin de réduire les risques de choc électrique.
- NE laissez PAS des personnes non qualifiées ou des enfants se servir ou réparer le commutateur de transfert.
- En cas d'accident causé par un choc électrique, procédez immédiatement à la mise hors tension de l'alimentation électrique et contactez des autorités locales. **Évitez tout contact direct avec la victime.**

AVERTISSEMENT



Le commutateur de transfert contient une haute tension qui peut causer des blessures personnelles ou la mort.

- En dépit de la conception sécuritaire du commutateur de transfert, le fait d'opérer l'équipement de façon imprudente, de ne pas l'entretenir ou d'être négligent peut causer des blessures et la mort.

ATTENTION

Un traitement inapproprié du commutateur de transfert risque de l'endommager et de raccourcir sa durée d'utilisation.

- Ne vous servez du commutateur de transfert que pour les utilisations prévues.
- Si vous avez des questions concernant les utilisations prévues, demandez à votre distributeur ou contactez Briggs and Stratton Power Products.
- N'exposez PAS le commutateur de transfert à une humidité excessive, à de la poussière, à de la saleté ou à des vapeurs corrosives.
- Demeurez alerte en tout temps lorsque vous travaillez sur cet équipement. NE travaillez JAMAIS sur l'équipement si vous êtes fatigué physiquement ou mentalement.
- Si les appareils branchés surchauffent, éteignez-les et mettez leur disjoncteur ou fusible hors tension.

INTRODUCTION

Nous vous remercions d'avoir acheté ce commutateur de transfert automatique de Briggs & Stratton Power Products (BSPP). Ce commutateur de transfert convient **UNIQUEMENT** aux génératrices de secours résidentielles Briggs & Stratton. Ce produit est conçu pour être utilisé comme groupe électrogène optionnel fournissant une source d'électricité alternative et pour desservir des charges comme le chauffage, les systèmes de réfrigération et les systèmes de communication qui, lorsqu'ils sont arrêtés durant une panne d'électricité, peuvent causer des inconforts ou autre. Ce produit ne se qualifie pas comme groupe électrogène d'urgence tel que défini par la NFPA 70 (NEC).

La société Briggs & Stratton Power Products (BSPP) a tout fait pour fournir un commutateur de transfert dont l'installation soit sécuritaire, facile et économique. Comme chaque installation est unique, il est impossible de connaître et de recommander une marche à suivre présentant toutes les méthodes et consignes d'installation possibles. Briggs et Stratton ignore également les dangers et/ou les résultats potentiels de chaque méthode ou procédure. C'est pourquoi,

Seuls des entrepreneurs en électricité qualifiés devraient procéder à l'installation des commutateur de transfert.

Toute installation doit être conforme à tous codes de sécurité applicables, ainsi qu'aux normes et à la réglementation de l'industrie.

Votre commutateur de transfert BSPP est livré avec le présent "Guide d'installation et d'utilisation". Ce guide est un document important; conservez-le après avoir complété l'installation.

Tout a été fait pour s'assurer que les renseignements contenus dans le présent guide soient exacts et à jour. Toutefois, le fabricant se réserve le droit de changer, de modifier ou encore d'améliorer le système en tout temps, et ce, sans préavis.

Au Propriétaire Résidentiel

Afin de vous aider à faire des choix avisés et à communiquer efficacement avec l'entrepreneur qui procédera à l'installation,

Veillez lire avec soin la section Conseils au propriétaire dans le présent guide avant de contracter un entrepreneur ou de commencer l'installation de votre commutateur de transfert.

Pour assurer une installation adéquate, veuillez contacter le magasin qui vous a vendu votre commutateur de transfert Briggs & Stratton Power Products, votre détaillant ou votre fournisseur de services d'électricité.

Si l'installation du commutateur de transfert n'est pas effectuée par des professionnels certifiés en électricité, la garantie sera ANNULÉE.

Au Détaillant ou à l'Entrepreneur Procédant à l'Installation

Vérifiez les codes fédéraux, provinciaux et locaux si vous avez des questions concernant l'installation.

Si vous avez besoin de renseignements supplémentaires, veuillez appeler au (800) 743-4115 de 8 h à 17 h HNC.

Conseils au Propriétaire

Les illustrations se rapportent à des cas typiques et ont pour but de vous familiariser avec les différentes options d'installation de votre commutateur de transfert dont vous disposez.

Au moment de négocier avec un installateur professionnel, il faudra tenir compte des facteurs suivants : les codes de sécurité locaux, l'apparence, et les distances. Souvenez-vous que plus grandes sont les distances entre le groupe électrogène et le service électrique existant ainsi que l'alimentation, plus il faudra faire des compensations dans les matériaux et le câblage. Ces modifications sont nécessaires pour vous conformer aux codes de sécurité locaux et pour surmonter les chutes de tension.

Les facteurs mentionnés ci-dessus auront une incidence directe sur le prix total de l'installation de votre commutateur de transfert.

REMARQUE: Votre installateur est tenu de vérifier les codes locaux ET d'obtenir les permis requis avant de procéder à l'installation du système.

- Vous devez lire et suivre les instructions indiquées dans le manuel.
- Établissez un programme de soins et d'utilisation régulier de votre commutateur de transfert, tel qu'indiqué dans le manuel.

Responsabilités de l'Installateur

- Vous devez lire et respecter les règles de sécurité décrites dans le manuel.
- Vous devez lire et suivre les instructions indiquées dans le présent le manuel.
- Vérifiez tous les codes fédéraux, provinciaux et locaux.
- S'assurer que la génératrice n'est pas surchargée par des charges sélectionnées.

Description de l'Équipement

Ce commutateur de nouvelle génération a été conçu pour transférer la charge complète d'appareils résidentiels courants, lorsqu'il est utilisé avec les contacts de contrôle fournis. La charge est branchée à l'alimentation de service (normal) ou à la génératrice de secours résidentielle (génératrice). En contrôlant la tension de service et celle de la génératrice, le commutateur de transfert se branche automatiquement à la source d'électricité appropriée.

Les principaux éléments du commutateur de transfert sont un l'utilité débranche le disjoncteur bipolaire (modèles 01928-I et 01929-I seulement), un interrupteur bipolaire bidirectionnel, un module de commande comprenant une carte de circuit imprimé, des bornes de détection de tension avec fusible et le câblage de raccordement.

Le commutateur de transfert électromagnétique est actionné par la tension de service et de la génératrice et comporte des contacteurs d'interdiction mécaniques ou électriques appropriés qui éliminent le risque de brancher l'alimentation de service à la sortie de la génératrice. Sa capacité nominale est suffisante pour commuter toute la puissance de service de la résidence. Le commutateur comporte un levier de priorité pour transférer l'alimentation manuellement.

La carte du module de commande comprend des circuits actifs qui contrôlent les tensions de service et de la génératrice. Elle produit les signaux de démarrage de la génératrice ainsi que de transfert et de retransfert lorsque l'alimentation de service est rétablie et à la fin du refroidissement de la génératrice. Le module de commande comprend aussi des voyants rouge et vert indiquant les sources d'alimentation disponibles et deux contacts commandés par relais pour le contrôle des charges critiques externes.

INSTALLATION

Déballage

Vérification de la Livraison

Après avoir enlevé le carton, examinez avec soin les éléments du commutateur de transfert automatique pour tout dommage subi durant l'expédition.

IMPORTANT: Au moment de la livraison, si vous remarquez des dommages ou des pièces manquantes, demandez au livreur de noter tous les dommages sur la facture de fret et d'apposer sa signature dans l'espace réservé à cet effet. Après la livraison, si vous remarquez des pièces manquantes ou des dommages, mettez les pièces endommagées de côté et communiquez avec le transporteur pour connaître les procédures de réclamation. Les pièces manquantes ou endommagées ne sont pas garanties.

Contenu de la Boîte

- Commutateur de Transfert Automatique
- Manuel de d'Installation et l'Utilisateur

Consignes d'installation

Le commutateur de transfert automatique est contenu dans un boîtier de type NEMA 3R adapté pour usage interne et externe. Consignes d'installation du commutateur de transfert automatique:

- Installation du commutateur sur une structure portante ferme et robuste.
- Le commutateur doit être installé avec les connexions de conduit de fo de matériel de NEMA 3R minimum.
- Au besoin, nivelez le commutateur pour éviter les distorsions. Ceci peut être accompli en insérant des rondelles entre le boîtier du commutateur et la surface de fixation.
- NE JAMAIS installer le commutateur dans un endroit une substance corrosive pourrait s'y infiltrer.
- Protégez le commutateur en tout temps contre l'humidité, les poussières, les saletés, les peluches, le gravier et les vapeurs corrosives.

La figure 6 illustre une installation type du commutateur de transfert automatique, modèles 01813-1 et 01814-1. La figure 7 illustre une installation type du commutateur de transfert automatique, modèles 01928-1 et 01929-1. La figure 8 illustre une installation alternative du commutateur de transfert automatique. Il est recommandé d'installer le commutateur près du compteur de l'alimentation de service, soit à l'intérieur ou à l'extérieur. Discutez des suggestions/changements de disposition avec le propriétaire avant d'entamer le processus d'installation du système.

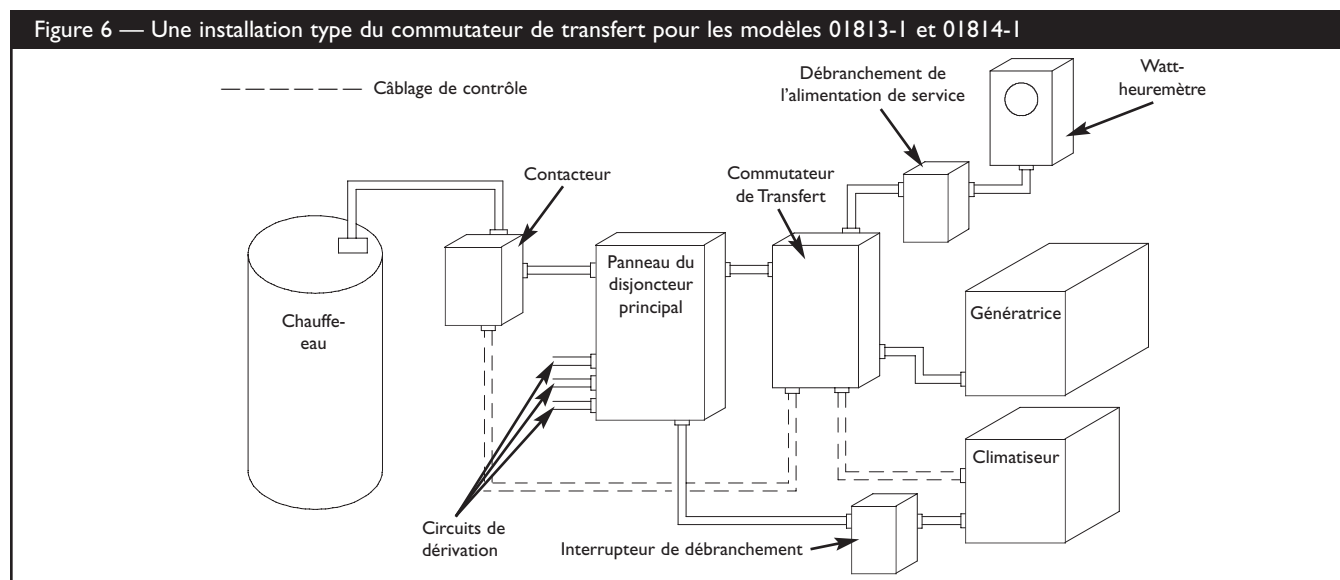


Figure 7 — Une installation type du commutateur de transfert pour les modèles 01928-1 et 01929-1

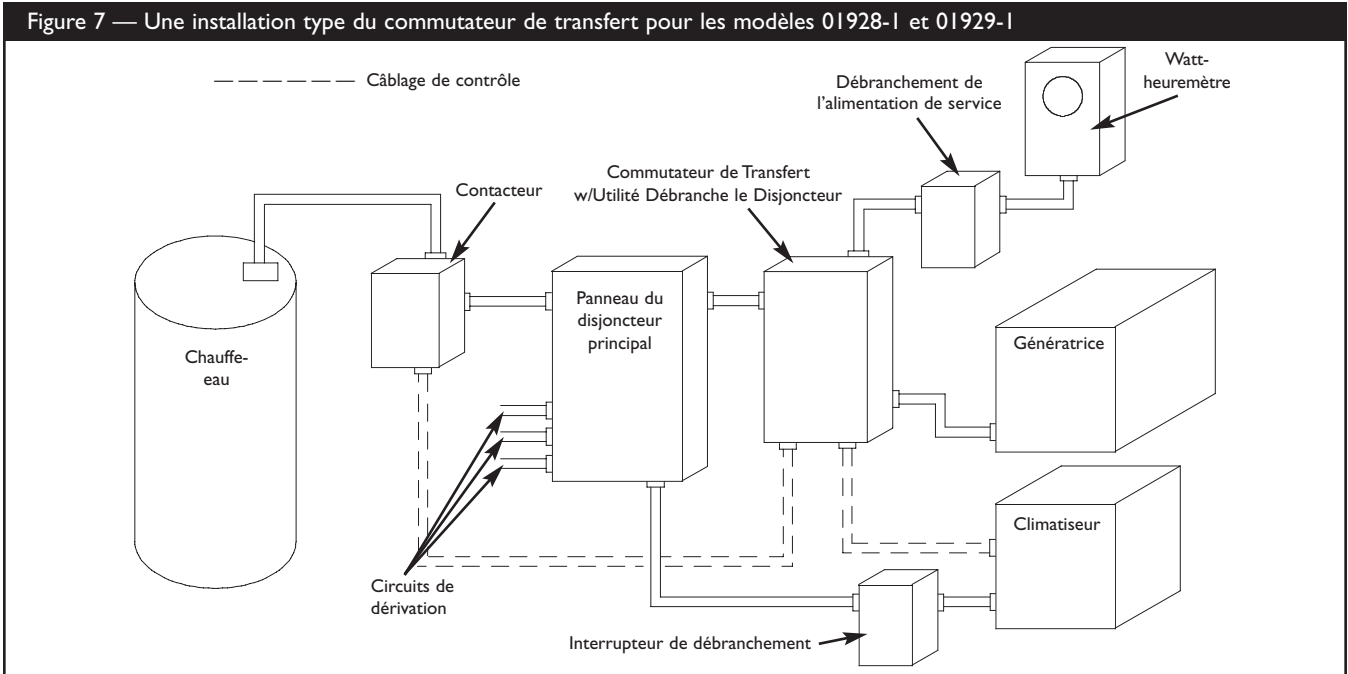
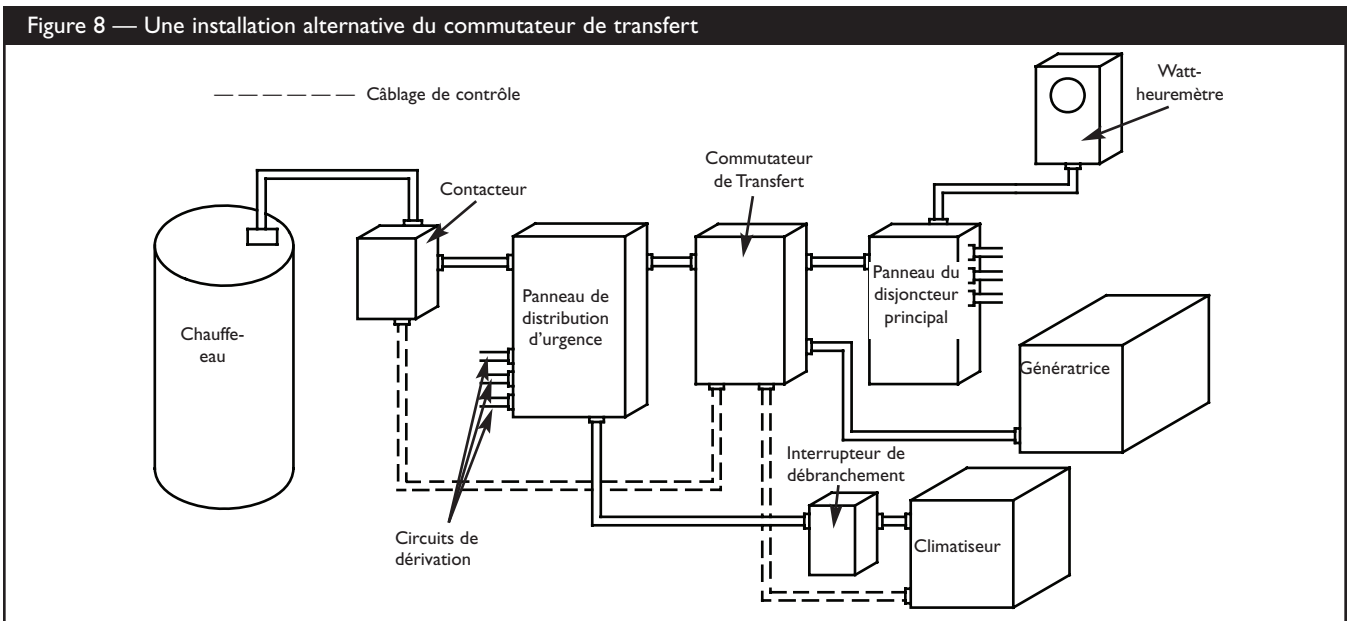


Figure 8 — Une installation alternative du commutateur de transfert



Interconnexions du Câblage d'Alimentation

Tout le câblage doit être d'un gabarit approprié, bien fixé, et protégé par des conduits.

Effectuez les raccords suivants entre le commutateur de transfert, le panneau de distribution principal, l'alimentation de service et la génératrice (Figure 9).

AVERTISSEMENT



Les fils de basse tension ne peuvent être installés dans le même conduit que les fils d'alimentation.

- Le non-respect de cet avertissement pourrait entraîner des blessures personnelles et l'endommagement ou le mauvais fonctionnement de l'équipement.

- Assurez-vous que l'alimentation de service est HORS TENSION. Raccordez les fils d'alimentation de service aux bornes "UTILITY CONNECTION" du commutateur de transfert.
- Raccordez le neutre de service à la borne "NEUTRAL" du commutateur de transfert.
- Raccordez les fils d'alimentation du panneau de distribution principal aux bornes "LOAD CONNECTION" du commutateur de transfert.
- Raccordez le fil neutre du panneau de distribution principal à la borne "NEUTRAL" du commutateur de transfert.
- Raccordez les fils d'alimentation du panneau de commande de la génératrice aux bornes "GENERATOR CONNECTION" du commutateur de transfert.
- Raccordez le neutre du panneau de commande de la génératrice à la borne "NEUTRAL" du commutateur de transfert.
- Raccordez le "GND" du panneau de commande de la génératrice à la borne "GND" du commutateur de transfert.
- Raccordez le "GND" du panneau de distribution principal à la borne "GND" du commutateur de transfert.

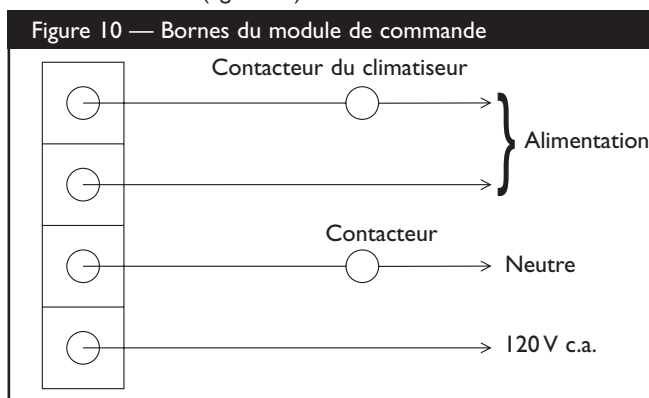
REMARQUES: Assurez-vous que l'électrode de terre est raccordée selon les normes, la réglementation et les codes fédéraux, provinciaux et locaux applicables.

- Raccordez les bornes de 240 volts C.A. de l'alimentation de service de la génératrice aux bornes de 240 volts C.A. de l'alimentation du commutateur de transfert.
- Serrez au couple approprié tous les raccords de fils et attaches. Consultez la partie intérieure du boîtier du commutateur de transfert au sujet des couples de serrage appropriés.

Câblage de contrôle

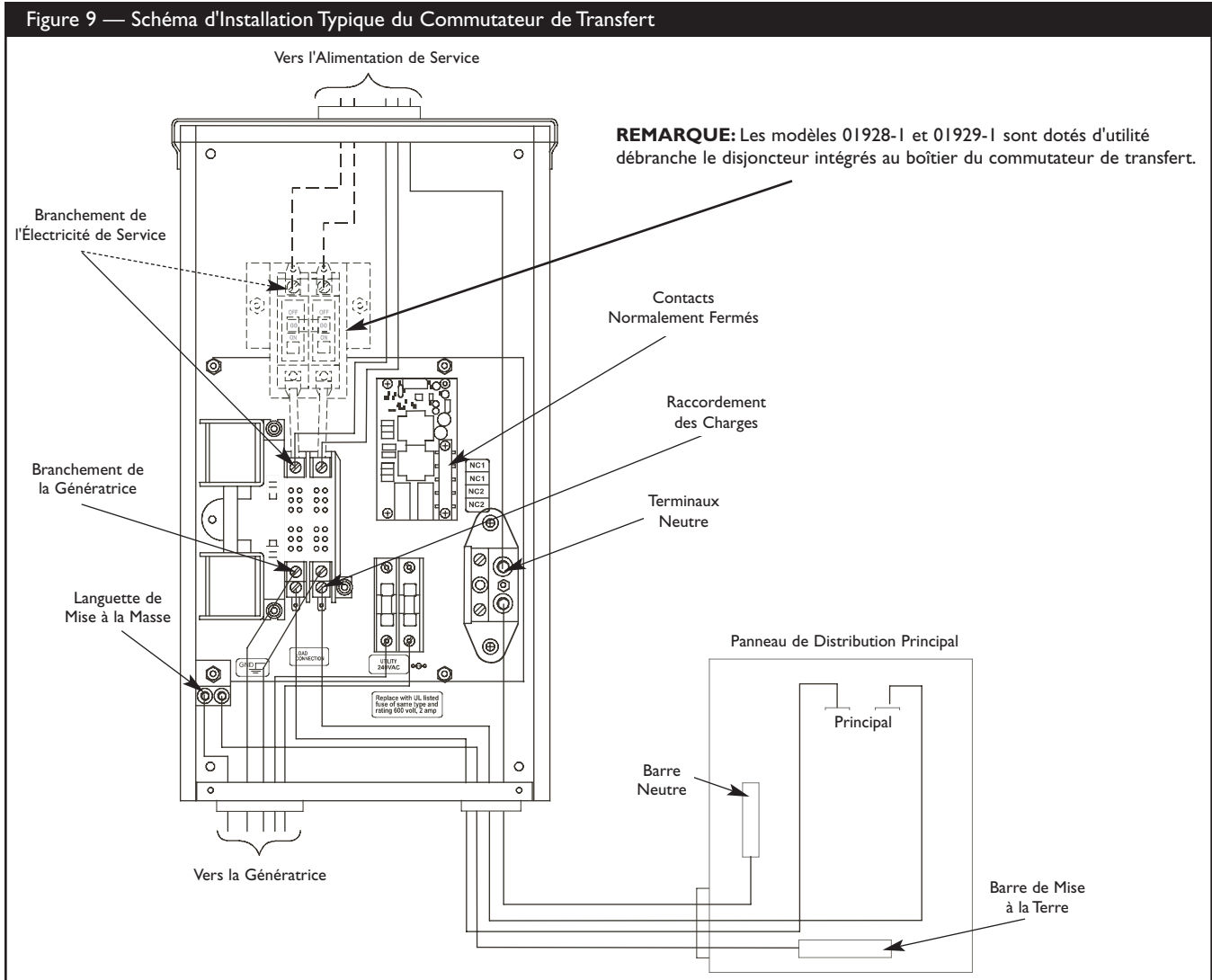
La barrette de raccordement du module de commande du commutateur de transfert comporte quatre raccords à l'usage du client. Deux ensembles de contacts "normalement fermés" sont disponibles. Ils sont activés lorsque la génératrice est mise en marche. Ils peuvent servir au contrôle d'importantes charges branchées à la génératrice comme. Exemple: climatiseur, chauffe-eau, etc.

- Les bornes du module de commande servent au contrôle des charges importantes par le contacteur fourni par l'installateur. Exemple: climatiseur, chauffe-eau électriques, etc.. Les contacts sont branchés en série au circuit de commande du contacteur (figure 10).



- Serrez au couple approprié tous les raccords de fils et attaches. Consultez la partie intérieure du boîtier du commutateur de transfert au sujet des couples de serrage appropriés.

Figure 9 — Schéma d'Installation Typique du Commutateur de Transfert



FONCTIONNEMENT

Pour actionner le transfert automatique, suivez la procédure décrite ci-dessous:

- 1A. Pour les modèles 01813-1 & 01814-1, réglez sur "**On**" l'interrupteur de débranchement de l'alimentation de service qui transmet l'alimentation de service à l'interrupteur de transfert.
- B. Pour les modèles 01928-1 & 01929-1, réglez sur "**On**" l'interrupteur de débranchement de l'alimentation de service qui transmet l'alimentation de service à l'utilité débranche le disjoncteur l'interrupteur de transfert.
2. Pour les modèles 01928-1 & 01929-1, réglez sur "**On**" l'interrupteur de transfert l'utilité débranche le disjoncteur.
3. Réglez le disjoncteur principal de la génératrice sur "**On**".
4. Installez le fusible de 15 ampères dans le panneau de commande de la génératrice.
- 5A. Si le génératrice est équipé avec un l'interrupteur ON/OFF de système, régler l'interrupteur sur "**On**".
- B. Si le génératrice est équipé avec un l'interrupteur AUTO/OFF/MANUAL, régler l'interrupteur sur "**AUTO**".

Le système est maintenant en mode de fonctionnement automatique.

MISE À L'ESSAI DU COMMUTATEUR DE TRANSFERT AUTOMATIQUE

Réglez l'interrupteur de débranchement alimentant le commutateur de transfert sur "**Off**". La séquence automatique commencera. Pour revenir à l'alimentation de service, réglez l'interrupteur de débranchement sur "**On**".

Séquence Automatique

Panne de l'alimentation de service

Le capteur de tension de service détecte la chute de la tension de service sous 70 pourcent de la tension nominale. La séquence de démarrage du moteur commence après un délai de 6 secondes.

Réchauffement du moteur

Avant le transfert, il y a un délai de réchauffement du moteur de 20 secondes, ou 50 secondes avec le retrait du cavalier sur le tableau de commande.

Transfert

Le transfert de l'alimentation de service à la génératrice de secours se produit après que la tension de la génératrice dépasse un seuil prédéterminé. Après le transfert, le moteur tourne durant au moins 5 minutes.

Prise en charge de l'alimentation de service

La tension de prise en charge est de 80 pourcent de la tension nominale.

Retransfert

Le transfert de l'alimentation de la génératrice de secours à l'alimentation de service se fait 10 secondes après que la tension de service ait dépassé le niveau de prise en charge et temps d'exécution minimum est achevé.

Refroidissement du moteur

Le moteur tourne pendant 60 secondes après le transfert.

Si vous Devez Communiquer avec l'Usine

Avant de contacter Briggs and Stratton Power Products au sujet de l'entretien ou de la réparation de ce commutateur de transfert, veuillez noter les numéros de modèle et de série indiqués sur le décalque apposé sur l'unité ou à l'intérieur de celle-ci.

Pour contacter Briggs and Stratton Power Products, veuillez appeler au (800) 743-4115 de 8 h à 17 h HNC.

CARACTÉRISTIQUES

UL® 1008 Enuméré Commutateur de Transfert

Modèle 01813-I

Charge maximum/circuit:
du point d'alimentation des charges100 Ampères
Tension nominale C.A.250 Volts
Pôles2
Fréquence50/60 Hz
Intensité de défaillance nominale22,000 Ampères
Symétriques RMS

Valeur nominale des
contacts de contrôle1 ampère, 125 Volt c.a., régime
de fonctionnement asservi

Poids9,5 kg (21 lb)

Modèle 01814-I

Charge maximum/circuit:
du point d'alimentation des charges200 Ampères
Tension nominale C.A.250 Volts
Pôles2
Fréquence50/60 Hz
Intensité de défaillance nominale25,000 Ampères
Symétriques RMS

Valeur nominale des
contacts de contrôle1 ampère, 125 Volt c.a., régime
de fonctionnement asservi

Poids15,4 kg (34 lb)

Modèle 01928-I

Charge maximum/circuit:
du point d'alimentation des charges100 Ampères
Tension nominale C.A.250 Volts
Pôles2
Fréquence50/60 Hz
Intensité de défaillance nominale22,000 Ampères
Symétriques RMS

Valeur nominale des
contacts de contrôle1 ampère, 125 Volt c.a., régime
de fonctionnement asservi

Poids14,5 kg (32 lb)

Modèle 01929-I

Charge maximum/circuit:
du point d'alimentation des charges200 Ampères
Tension nominale C.A.250 Volts
Pôles2
Fréquence50/60 Hz
Intensité de défaillance nominale25,000 Ampères
Symétriques RMS

Valeur nominale des
contacts de contrôle1 ampère, 125 Volt c.a., régime
de fonctionnement asservi

Poids20 kg (44 lb)

DÉPANNAGE

PROBLÈMES	CAUSE	SOLUTION
Le commutateur de transfert automatique ne transfère pas à la génératrice	<ol style="list-style-type: none"> 1. Le disjoncteur de la génératrice est ouvert. 2. La tension de la génératrice n'est pas adéquate. 	<ol style="list-style-type: none"> 1. Réarmez le disjoncteur de la génératrice. 2. Reportez-vous au manuel de la génératrice.
Le commutateur de transfert automatique ne transfère pas à l'alimentation de service	<ol style="list-style-type: none"> 1. L'utilité débranche le disjoncteur ouvert (modèles 01928-1 et 01929-1 seulement). 2. Le disjoncteur de l'alimentation de service est ouvert. 3. La tension de l'alimentation de service n'est pas adéquate. 	<ol style="list-style-type: none"> 1. Réarmez le utilité débranche le disjoncteur (modèles 01928-1 et 01929-1 seulement). 2. Réarmez le disjoncteur de l'alimentation de service. 3. Attendez que la tension de service revienne à la normale.
La génératrice continue de fonctionner après que le commutateur eut transféré à l'alimentation de service	La période de refroidissement n'a pas été complétée.	Le moteur devrait s'éteindre après 1 minute.
Les charges réglables (climatiseur, etc.) ne fonctionnent pas sous l'alimentation de service	Les contacts normalement fermés ne fonctionnent pas correctement.	Vérifiez les contacts normalement fermés et/ou vérifiez le câblage de commande des charges externes.
La génératrice demeure en marche après le rétablissement de l'alimentation de service	<ol style="list-style-type: none"> 1. La période de fonctionnement minimum du moteur ne s'est pas écoulée. 2. Le ou les fusibles du commutateur de transfert sont défectueux. 	<ol style="list-style-type: none"> 1. Attendez cinq minutes pour que le commutateur de transfert transfère à l'alimentation de service. 2. Vérifiez le ou les fusibles et remplacez-les au besoin.

GARANTIE DU PROPRIÉTAIRE DU COMMUTATEUR DE TRANSFERT BRIGGS & STRATTON POWER PRODUCTS GROUP, LLC

Prise d'effet au 1^{er} Novembre 2005, annule et remplace toutes les garanties précédentes et les garanties antérieures au 1^{er} Novembre 2005

GARANTIE LIMITÉE

Briggs & Stratton Power Products Group, LLC réparera ou remplacera, sans frais, toutes pièces d'équipement défectueuses comportant un vice de matériau ou un défaut de fabrication ou les deux. En vertu de la présente garantie, les frais de transport des produits soumis pour réparation ou remplacement sont à la charge de l'acheteur. La présente garantie sera en vigueur durant les périodes stipulées ci-dessous et est assujettie aux conditions stipulées ci-dessous. Pour obtenir des services en vertu de la garantie, veuillez consulter notre Outil de recherche d'un Service après-vente agréé au <http://www.BRIGGSandSTRATTON.COM> afin de trouver un distributeur de service après-vente agréé dans votre région.

IL N'EXISTE AUCUNE AUTRE GARANTIE EXPRESSE. LES GARANTIES IMPLICITES, INCLUANT CELLES DE QUALITÉ MARCHANDE ET D'ADAPTATION À UN USAGE PARTICULIER, SONT LIMITÉES À UNE PÉRIODE D'UN AN À PARTIR DE LA DATE D'ACHAT OU JUSQU'À LA LIMITE PERMISE PAR LA LOI, TOUTE GARANTIE IMPLICITE EST EXCLUE. LA RESPONSABILITÉ POUR DOMMAGES ACCESSOIRES OU INDIRECTS EST EXCLUE DANS LA MESURE OÙ UNE TELLE EXCLUSION EST PERMISE PAR LA LOI. Certains États/provinces ou pays n'autorisent aucune restriction sur la durée d'une garantie implicite, et certains États/provinces ou pays n'autorisent pas l'exclusion ou la limitation des dommages consécutifs ou indirects. Par conséquent, les restrictions et exclusions décrites ci-dessus pourraient ne pas s'appliquer dans votre cas. La présente garantie vous accorde certains droits légaux spécifiques et vous pourriez également en avoir d'autres, qui peuvent varier d'un État ou d'une province à l'autre et d'un pays à l'autre.

PÉRIODE DE GARANTIE

Usage par un consommateur	3 ans
Usage à des fins commerciales	aucune

La période de garantie débute à la date d'achat par le premier acheteur au détail ou par le premier utilisateur commercial final, et se prolonge pour la durée stipulée dans le tableau ci-dessus. "Usage par un consommateur" signifie utilisation domestique personnelle dans une résidence, par l'acheteur au détail. "Usage à des fins commerciales" signifie toute autre utilisation, y compris à des fins commerciales, générant de revenus ou de location. Aux fins de la présente garantie, dès qu'un équipement a été utilisé commercialement une fois, il est par la suite considéré comme étant d'usage à des fins commerciales. L'équipement utilisé pour l'alimentation principale n'est pas couvert par la présente garantie.

POUR EXERCER LA GARANTIE SUR TOUT PRODUIT FABRIQUÉ PAR BRIGGS & STRATTON, IL N'EST PAS NÉCESSAIRE DE L'ENREGISTRER. CONSERVEZ LE REÇU COMME PREUVE D'ACHAT. SI, LORS D'UNE RÉCLAMATION DE GARANTIE, VOUS NE POUVEZ PROUVER LA DATE INITIALE DE L'ACHAT, NOUS UTILISERONS LA DATE DE FABRICATION DU PRODUIT COMME DATE DE RÉFÉRENCE POUR DÉTERMINER LA PÉRIODE DE GARANTIE.

À PROPOS DE LA ÉQUIPEMENT GARANTIE

Nous acceptons de faire effectuer les réparations couvertes par la garantie et tenons à nous excuser pour tout inconvénient subi. Tout agent d'un service après-vente agréé peut exécuter les réparations couvertes par la garantie. La plupart des réparations couvertes par la garantie sont traitées automatiquement; cependant, il arrive parfois que les demandes de service en vertu de la garantie soient non fondées. Par exemple, la garantie ne couvre pas les dommages causés à l'équipement par une utilisation abusive, par un manque d'entretien périodique, durant l'expédition, la manutention ou l'entreposage, ou en raison d'une installation inadéquate. De même, la garantie sera annulée si la date de fabrication ou le numéro de série apposé à l'équipement a été enlevé ou si l'équipement a été changé ou modifié. Durant la période de garantie, le distributeur de service après-vente agréé réparera ou remplacera, à son gré, toute pièce qui, après examen, est trouvée défectueuse à la suite d'une utilisation et d'un entretien normaux. La présente garantie ne couvre pas les réparations et les équipements suivants:

- **Usure normale:** Comme tout autre dispositif mécanique, les groupes électrogènes d'extérieur nécessitent l'entretien périodiques de certaines pièces pour fonctionner adéquatement. La présente garantie ne couvre pas les frais de réparation des pièces ou des équipements dont la durée de vie utile a été dépassée à la suite d'une utilisation normale.
- **Installation et entretien:** La présente garantie ne couvre pas les équipements ou les pièces qui ont fait l'objet d'une installation ou de modifications et de changements inadéquats ou non autorisés, d'une mauvaise utilisation, de négligence, d'un accident, d'une surcharge, d'entretien inadéquat, de réparation ou d'entreposage qui, selon nous, auraient nui à la performance et à la fiabilité du produit. De plus, la garantie ne couvre pas l'entretien normal tel que le réglage, le nettoyage et remplacement de fusible.
- **Exclusions supplémentaires:** La présente garantie exclut les pièces qui s'usent ou tout dommage ou tout mauvais fonctionnement résultant d'un accident, d'une utilisation abusive, de modifications, de changements ou d'un entretien inadéquat du système. La garantie du produit ne couvre pas les pièces accessoires. Cette garantie exclut toute défaillance due à une catastrophe naturelle ou à toute autre force majeure hors du contrôle du fabricant. Est aussi exclu tout équipement usé, remis à neuf ou de démonstration. 198180F; Rev. C, 12/31/2006

BRIGGS & STRATTON POWER PRODUCTS GROUP, LLC
JEFFERSON, WI, USA

TABLA DE CONTENIDO


TABLA DE CONTENIDO	28	Secuencia Automática	34
INSTRUCCIONES IMPORTANTES DE SEGURIDAD	29	Fallo de la Red Pública	34
INTRODUCCIÓN	30	Calentamiento del Motor	34
Para el Propietario Doméstico	30	Transferencia	34
Para el Agente de Ventas/Contratista	30	Recuperación de la Red Pública	34
Orientación para el Propietario	30	Retransferencia	34
Responsabilidades del Instalador	30	Enfriamiento del Motor	34
Descripción del Equipo	30-31	ESPECIFICACIONES	34
INSTALACIÓN	31	Modelo 01813-1	34
Desempaque	31	Modelo 01814-1	34
Inspección al Momento de la Entrega	31	Modelo 01928-1	40
Contenido de la Caja	31	Modelo 01929-1	40
Pautas de Montaje	31-32	Si Llama a la Fábrica	34
Interconexiones de Cableado de Energía	32-33	REPARACION DE AVERIAS	35
Cableado de Control de Supervisión	32-33	DIAGRAMAS, VISTAS AMPLIADAS, LISTAS DE PIEZAS	12-15
SISTEMA OPERACIÓN	34	GARANTIA	36
PRUEBA DEL CONECTOR AUTOMÁTICO	34		

CONSERVE ESTAS INSTRUCCIONES

INSTRUCCIONES IMPORTANTES DE SEGURIDAD



Éste es el símbolo de alerta de seguridad. Sirve para advertir al usuario de un posible riesgo para su integridad física. Siga todos los mensajes de seguridad que figuren después de este símbolo para evitar lesiones o incluso la muerte.

El símbolo de alerta de seguridad () es usado con una palabra (PELIGRO, ADVERTENCIA, PRECAUCIÓN), un mensaje por escrito o una ilustración, para alertarlo acerca de cualquier situación de peligro que pueda existir. **PELIGRO** indica un riesgo el cual, si no se evita, *causará* la muerte o una herida grave.

ADVERTENCIA indica un riesgo el cual, si no se evita, *puede* causar la muerte o una herida grave. **PRECAUCIÓN** indica un riesgo, el cual, si no se evita, *puede* causar heridas menores o moderadas. **PRECAUCIÓN**, cuando se usa **sin** el símbolo de alerta, indica una situación que podría resultar en el daño del equipo. Siga los mensajes de seguridad para evitar o reducir los riesgos de heridas e inclusive la muerte.

El fabricante no puede prever todas las posibles circunstancias que pueden implicar riesgos. Por lo tanto, las advertencias que aparecen en este manual y las etiquetas y calcomanías adheridas a la unidad no incluyen todas las posibilidades. Si aplica un procedimiento, método de trabajo o técnica de operación no recomendada específicamente por el fabricante, debe estar seguro de que se trata de una práctica segura para usted y para otras personas. También debe asegurarse de que el procedimiento, método de trabajo o técnica de operación que elija, no haga que el conmutador de transferencia se torne inseguro.



ADVERTENCIA

La instalación de este sistema debe cumplir estrictamente la totalidad de la normativa vigente, por lo que sólo debe ser llevada a cabo por un electricista cualificado.



ADVERTENCIA



Los cables de baja tensión no se pueden instalar en el mismo conducto que los cables de suministro de energía.

- Si no se respeta esta indicación pueden producirse lesiones, daños y/o fallos de funcionamiento del equipo.



ADVERTENCIA



Si no hace tierra apropiadamente con un conmutador de transferencia, puede hacer que ocurra un electrocución.

- NO toque los alambres pelados o receptáculos.
- NO use un conmutador de transferencia con cables eléctricos que estén malgastados, rotos, pelados o dañados de cualquier forma.
- NO maneje el cables eléctricos mientras esté parado en agua, descalzo o cuando las manos y los pies estén mojados.
- Si fuera necesario realizar trabajos en cercanías de la unidad mientras está en funcionamiento, párese sobre una superficie seca y aislada para reducir los riesgos de una descarga.
- NO permita que personas descalificadas o niños operen o sirvan al conmutador de transferencia.
- En caso de que se produzca un accidente causado por una descarga eléctrica, cierre inmediatamente la fuente de energía eléctrica y contacta administración local. **Evite el contacto directo con la víctima.**



ADVERTENCIA



El conector contiene alta tensión que puede provocar lesiones o la muerte.

- A pesar del diseño seguro del conmutador de transferencia, si se opera este equipo en forma imprudente, si no se cumple con el mantenimiento o si se actúa con descuido, se pueden producir lesiones o la muerte.

PRECAUCIÓN

El tratamiento inadecuado del conmutador de transferencia puede dañarlo y acortar su vida productiva.

- Use el conmutador de transferencia solamente con la finalidad para el cual fue diseñado.
- Si usted tiene alguna pregunta acerca de las finalidades de uso del generador, pregúntele a su concesionario o contacte a Briggs and Stratton Power Products.
- NO exponga al conmutador de transferencia a una humedad excesiva, polvo, suciedad o vapores corrosivos.
- Permanezca siempre alerta cuando trabaje con este equipo. **NUNCA** trabaje con este equipo si se siente cansado física o mentalmente.
- Si se calientan excesivamente los dispositivos conectados, apáguelos y abra sus interruptores o quite sus fusibles.

INTRODUCCIÓN

Muchas gracias por comprar un conector automático de Briggs & Stratton. Este producto está pensado para utilizarlo como un sistema de reserva doméstico opcional que proporciona una fuente alternativa de energía eléctrica con capacidad para alimentar cargas tales como sistemas de calefacción y refrigeración y sistemas de comunicaciones, que cuando dejan de funcionar a causa de una interrupción de la alimentación eléctrica de la red pueden producir incomodidades o problemas. Este producto no pertenece a la categoría de reserva de emergencia según lo definido por la norma NFPA 70 (NEC).

Briggs and Stratton Power Products (BSPP) ha hecho todo lo posible para lograr una instalación segura, eficiente y rentable. Como cada instalación es única, es imposible conocer e informar acerca de todos los procedimientos y métodos mediante los cuales se puede realizar la instalación. Tampoco es posible conocer los riesgos o resultados potenciales de cada método o procedimiento. Por todo lo expuesto,

La instalación de los conmutador de transferencia debe estar a cargo de contratistas especializados en electricidad, sin excepciones. Las instalaciones deben cumplir estrictamente con todos los códigos, regulaciones y normas industriales aplicables.

Su conector BSPP se suministra con este "Manual de Instalación y del Operario" combinado. Se trata de un documento importante que debe ser conservado por el propietario después de haber terminado la instalación.

Se han tomado todos los recaudos posibles para asegurar que la información incluida en este manual sea correcta y esté actualizada. Sin embargo, los fabricantes se reservan el derecho de cambiar, alterar o mejorar el sistema de cualquier otra manera y en cualquier momento, sin previo aviso.

Para el Propietario Doméstico

Para que pueda tomar decisiones fundamentadas y lograr una comunicación efectiva con el o los contratistas de instalación,

Lea y comprenda la sección de este manual denominada Orientación para el Propietario ANTES de contratar o iniciar la instalación de su conmutador de transferencia.

Para coordinar y organizar una instalación adecuada, consulte al comercio en el cual adquirió su conmutador de transferencia Briggs & Stratton Power Products, a su agente de ventas o a la compañía proveedora de electricidad.

La garantía del conmutador de transferencia se ANULA si la instalación del sistema no está a cargo de profesionales especializados en electricidad certificados.

Para el Agente de Ventas/Contratista que Realiza la instalación

Consulte los reglamentos vigentes en caso de dudas sobre la instalación.

Si necesita más información en conector, llame al 1-800-743-4115, entre las 8:00 AM y las 5:00 PM hora del centro.

Orientación para el Propietario

Las ilustraciones se aplican a circunstancias típicas y están destinadas a que usted se familiarice con las opciones de instalación disponibles con su conmutador de transferencia.

Los códigos locales, la apariencia y las distancias son los factores fundamentales a tener en cuenta cuando se realiza la negociación con el profesional que tendrá a su cargo la instalación. Recuerde que a medida que la distancia del servicio de electricidad existente aumenta, se debe tener en cuenta una compensación igual en los materiales de cableado. Esto es necesario para cumplir con los códigos locales y solucionar caídas en la tensión eléctrica.

Los factores antes mencionados tendrán un efecto directo sobre el precio general de la instalación del conmutador de transferencia.

NOTA: El instalador debe verificar los códigos locales Y obtener los permisos correspondientes antes de instalar el sistema.

- Lea y cumpla las instrucciones incluidas en el manual.
- Siga un programa regular para cuidar y utilizar el conmutador de transferencia, según se especifica en el manual.

Responsabilidades del Instalador

- Lea y observe las reglas de seguridad que se encuentran en el manual.
- Lea y siga las instrucciones que se encuentran en este manual.
- Consulte toda la normativa nacional y local.
- Asegúrese de que las cargas seleccionadas no sobrecargan el generador.

Descripción del Equipo

Estos conectadores pertenecen a una nueva generación destinada a transferir toda la carga de instalaciones residenciales normales cuando se utilizan con los contactos de supervisión previstos. La carga se conecta a la red pública (normal) o a la alimentación doméstica de reserva (generador). El conector monitoriza las tensiones de la red pública y del generador y conecta automáticamente la carga a la fuente de alimentación apropiada.

Los componentes principales del conector son un utilidad desconecta cortacircuitos bipolar (sólo modelos 01928-1 y 01929-1), un interruptor bipolar de 2 posiciones de contacto, una tarjeta de circuito impreso del módulo de control, terminales con fusibles de detección de tensión de la red pública y cableado de interconexión.

El conector es accionado por un solenoide alimentado desde las entradas de la red pública o del generador y tiene interruptores de enclavamiento mecánicos y eléctricos, adecuados para eliminar la posibilidad de conectar la red pública a la salida del generador. Sus valores nominales son suficientes para conectar toda potencia de la red pública a la residencia. Para la función de transferencia hay una palanca de cancelación manual.

La tarjeta de circuito impreso del módulo de control tiene circuitos activos que detectan las tensiones de la red pública y del generador. Genera una señal para el arranque del generador, el conector, la retransferencia cuando se restablece la tensión en la red pública y los períodos de enfriamiento del generador. La tarjeta de control contiene también luces rojas y verdes que indican las fuentes de alimentación disponibles y dos contactos accionados por relé que proporcionan el control de supervisión de cargas críticas externas.

INSTALACIÓN

Desempaque

Inspección al Momento de la Entrega

Luego de retirar la caja, inspeccione cuidadosamente los componentes del conmutador de transferencia de energía automático para detectar cualquier daño que pudiera haber ocurrido durante el traslado.

IMPORTANTE: Si en el momento de la entrega se detecta alguna pérdida o daño, solicite a la persona o personas encargadas de la entrega que dejen debida constancia en la nota de entrega y que firmen debajo de la nota del consignador donde se informa acerca de la pérdida o daño. Si la pérdida o el daño se detecta después de la entrega, separe los materiales dañados y póngase en contacto con el transportista para llevar a cabo los procedimientos de reclamo. Las piezas perdidas o dañadas no están garantizadas.

Contenido de la Caja

- Conmutador de transferencia de energía automático
- Manual de instalación y operario

Pautas de Montaje

El conector automático está encerrado en una caja tipo 3R NEMA, que es adecuada para uso en interiores y a la intemperie. Las directrices para el montaje de conector automático incluyen:

- Instale el conmutador sobre una estructura de soporte firme y resistente.
- El interruptor se debe instalar con conexiones mínimas de conduit de fo de hardware de NEMA 3R.
- Para evitar distorsiones en el conmutador, nivele la unidad si es necesario. Puede hacerlo colocando arandelas entre el compartimiento del conmutador y la superficie de montaje.
- NUNCA instale el conmutador en un lugar en el cual pueda producirse el goteo de alguna sustancia corrosiva en el compartimiento.
- Proteja permanentemente al conmutador contra humedad excesiva, polvo, suciedad, pelusas, arenilla para construcción y vapores corrosivos.

La Figura 11 ilustra la instalación habitual del conector automático, modelos 01813-1 y 01814-1. La Figura 12 ilustra la instalación habitual del conector automático, modelos 01928-1 y 01929-1. En la Figura 13, se muestra una instalación alternativa del conector automático. Lo mejor es montarlo cerca del contador de la compañía eléctrica en el interior o en el exterior. Antes de iniciar el proceso de instalación del sistema, analice los cambios y sugerencias de diagramación con el propietario de la unidad.

Figura 11 — Montaje Habitual de un Conector para los Modelos 01813-1 y 01814-1

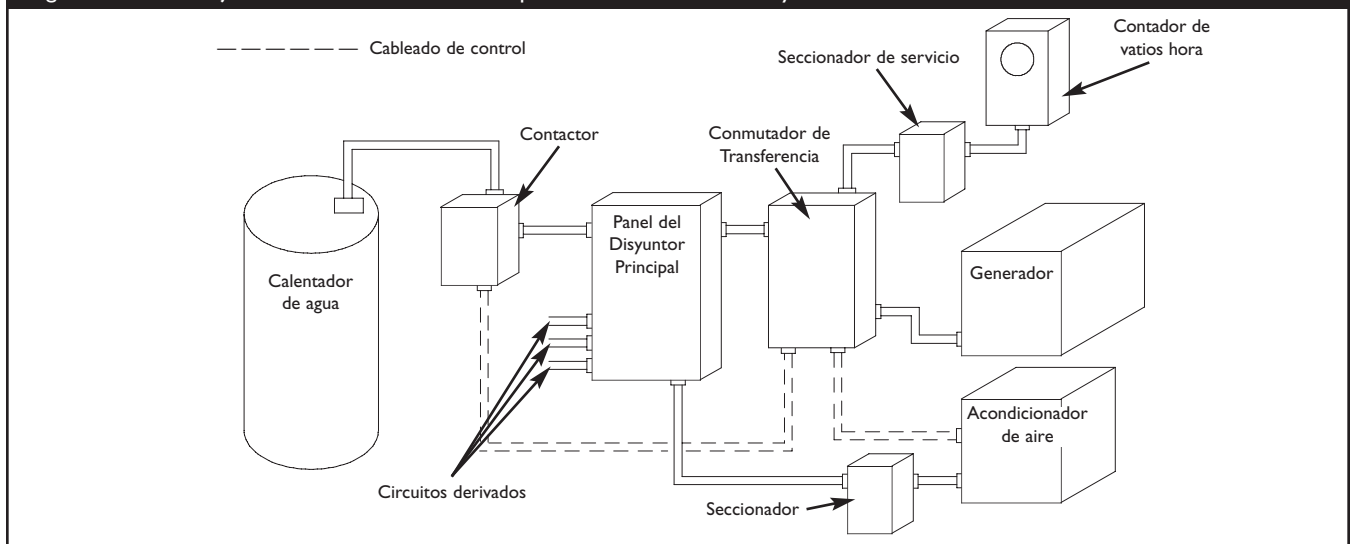


Figura 12 — Montaje Habitual de un Conector para los Modelos 01928-1 y 01929-1

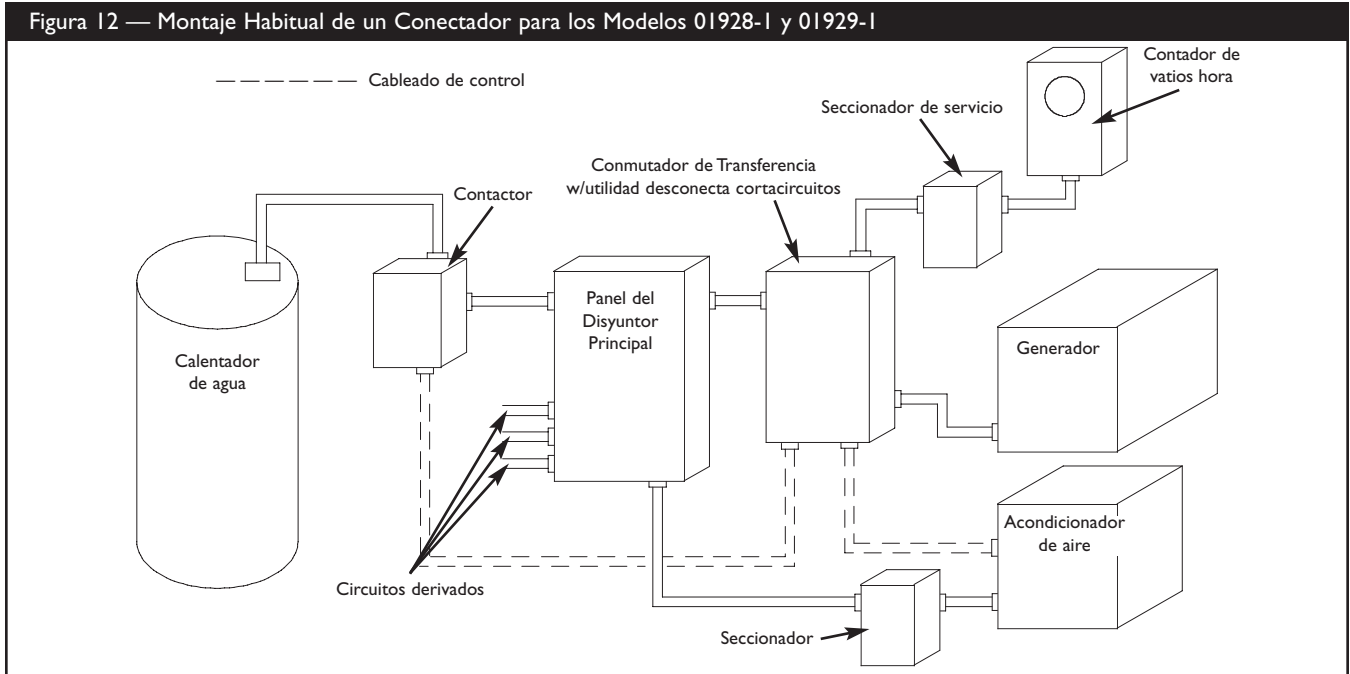
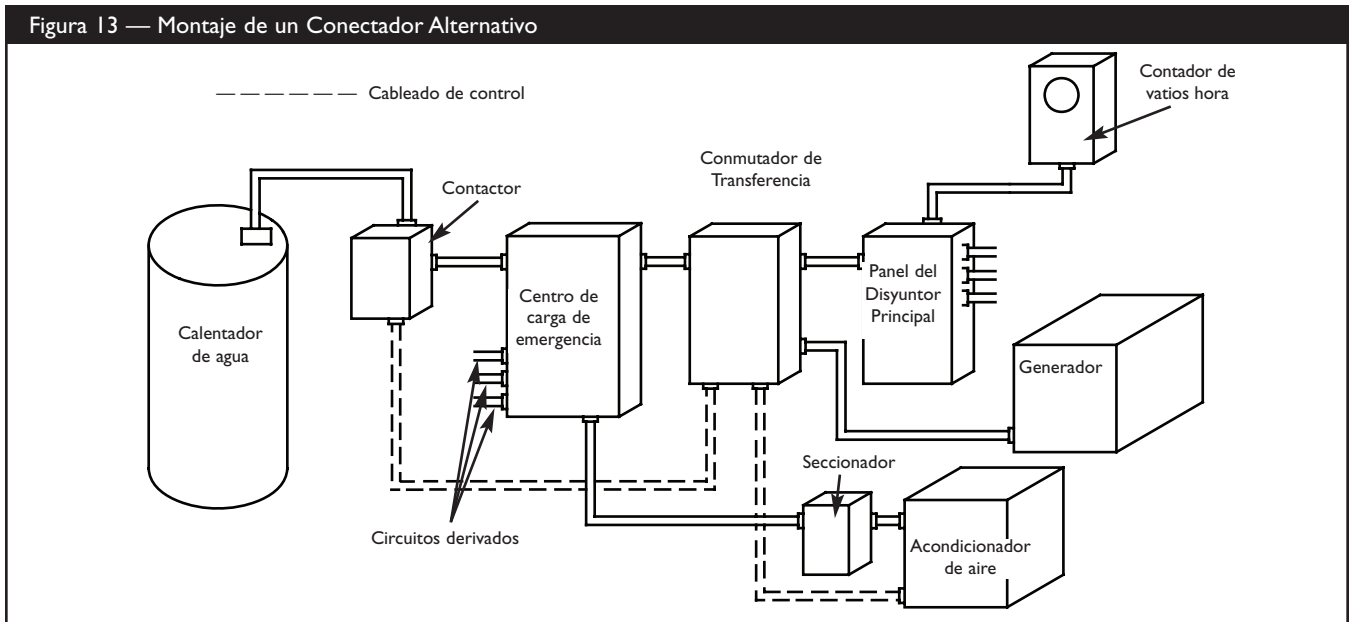


Figura 13 — Montaje de un Conector Alternativo



Interconexiones de Cableado de Energía

Todo el cableado debe tener el tamaño adecuado y debe estar correctamente soportado. También debe estar protegido mediante un conducto.

Realice las conexiones siguientes entre el conector, el panel principal de distribución, la red pública y el generador (Figura 14 de la página siguiente).

⚠ ADVERTENCIA



Los cables de baja tensión no se pueden instalar en el mismo conducto que los cables de suministro de energía.

- Si no se respeta esta indicación pueden producirse lesiones, daños y/o fallos de funcionamiento del equipo.

1. Asegúrese de que no esté aplicada la tensión de la red pública. Conecte los conductores de servicio a los terminales del conector, con la marca "UTILITY CONNECTION" (conexión de la red pública).
2. Conecte el neutro de la red pública al terminal del conector con la marca "NEUTRAL" (neutro).
3. Conecte los terminales de alimentación de la red pública a los terminales del conector, con la marca "LOAD CONNECTION" (conexión de la carga).
4. Conecte el neutro del panel principal de distribución al terminal del conector con la marca "NEUTRAL" (neutro).
5. Conecte los terminales de alimentación del generador desde el panel de control del generador hasta los terminales del conector con la marca "GENERATOR CONNECTION" (conexión del generador).
6. Conecte el neutro del generador desde el panel de control hasta el terminal del conector con la marca "NEUTRAL".
7. Conecte el terminal "GND" (tierra) desde el panel de control hasta el terminal del conector con la marca "GND" (tierra).
8. Conecte el terminal "GND" (tierra) desde el panel de distribución principal hasta el terminal del conector con la marca "GND" (tierra).

NOTA: Compruebe que el conductor del electrodo de conexión a tierra está conectado conforme a la normativa vigente.

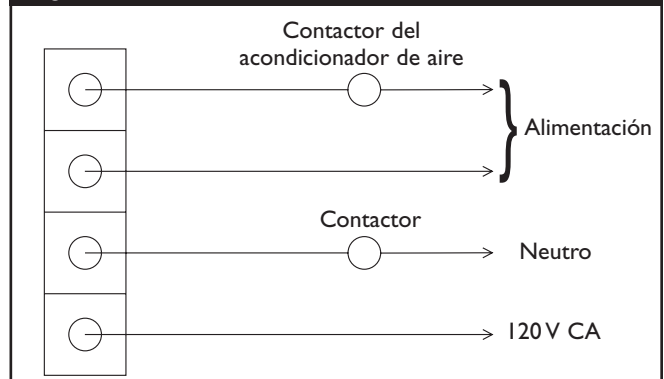
9. Conecte los terminales de 240 VCA de servicio del generador a los terminales de 240 VCA de servicio del conector.
10. Apriete de todas las conexiones de los cables y elementos de fijación al par adecuado. Consulte los valores de par correctos en el interior de la caja del conector.

Cableado de Control de Supervisión

La regleta de terminales del módulo de control del conector dispone de cuatro conexiones para uso del cliente. Hay dos conjuntos de contactos "Normalmente Cerrados" que se activarán cuando sea necesario utilizar la electricidad del generador. Se pueden utilizar para el control de supervisión de grandes cargas conectadas al generador. Ejemplo: acondicionador de aire, calentador de agua, etc..

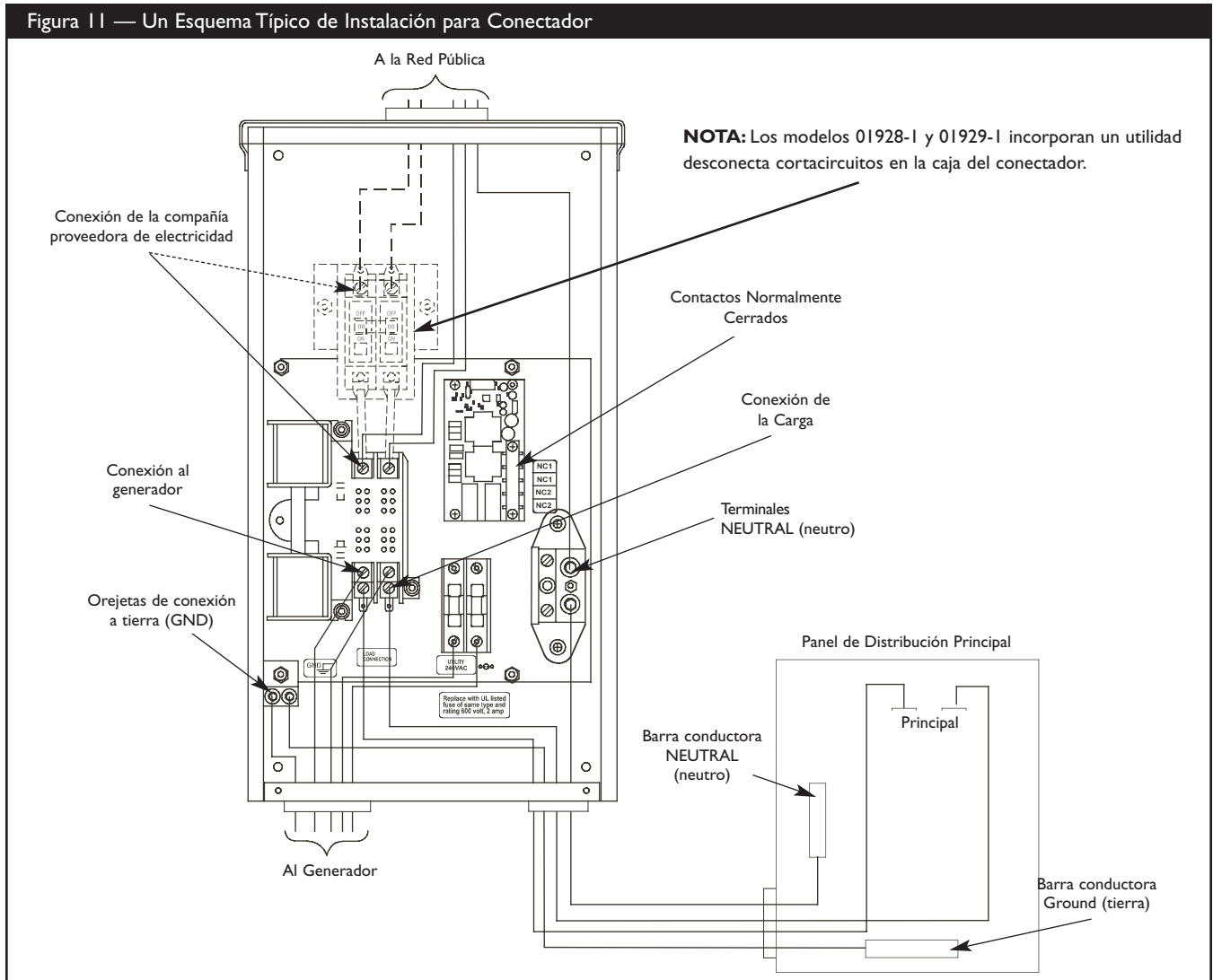
1. Terminales del módulo de control permiten que el instalador conecte un contactor para controlar una carga importante. Ejemplo: acondicionador de aire, calentador eléctricos de agua, etc.. Los contactos se conectan en serie con el circuito de control del contactor (Figura 15).

Figura 15 — Terminales del Módulo de Control



2. Apriete de todas las conexiones de los cables y elementos de fijación al par adecuado. Consulte los valores de par correctos en el interior de la caja del conector.

Figura 11 — Un Esquema Típico de Instalación para Conector



SISTEMA FUNCIONAMIENTO

Para seleccionar el funcionamiento automático del conector, haga lo siguiente:

- 1A. Para modelos 01813-1 y 01814-1, ponga el seccionador de servicio que envía tensión de la red pública al contactor del conector en la posición "**On**" (cerrado).
- B. Para modelos 01928-1 y 01929-1, ponga el seccionador de servicio que envía tensión de la red pública al conector de utilidad desconecta cortacircuitos en la posición "**On**" (cerrado).
2. Para modelos 01928-1 y 01929-1, ponga el conector de utilidad desconecta cortacircuitos en la posición "**On**" (cerrado).
3. Ponga el disyuntor principal del generador en la posición "**On**" (conectado).
4. Instale el fusible de 15 A en el panel de control del generador.
- 5A. Si el generador se equipa con un conmutador ON/OFF del sistema, conjunto el conmutador en la posición "**On**".
- B. Si el generador se equipa con un interruptor AUTO/OFF/MANUAL (automático/desconectado/manual), conjunto el interruptor en la posición "**AUTO**".

El sistema estará entonces en el modo de funcionamiento automático.

PRUEBA DEL CONECTOR AUTOMÁTICO

Ponga el seccionador de servicio que alimenta el conector en la posición "**Off**" (desconectado) Se realizará la secuencia automática correspondiente. Para volver a la alimentación desde la red pública, ponga el seccionador de servicio en la posición "**ON**" (conectado).

Secuencia Automática

Fallo de la Red Pública

El sensor de tensión de la red pública detecta cuándo esta tensión está por debajo del 70% de la nominal. Tras un retardo de 6 segundos, se inicia la secuencia de arranque del motor.

Calentamiento del Motor

Retardo de tiempo para permitir el calentamiento del motor antes de la transferencia fijado en 20 segundos o 50 segundos si se ha retirado el puente de la tarjeta de control.

Transferencia

Las transferencias de alimentación desde la red pública a la alimentación de reserva se producen cuando la tensión del equipo de reserva está por encima de los niveles especificados. El tiempo mínimo de funcionamiento del motor después de la transferencia es de 5 minutos.

Recuperación de la Red Pública

El nivel de recuperación de la tensión es el 80% de la tensión nominal.

Retransferencia

Retransferencia de la alimentación de reserva a la alimentación de la red pública 10 segundos después de que la tensión de la red pública se sitúe por encima del nivel de recuperación y ha transcurrido el tiempo mínimo de funcionamiento.

Enfriamiento del Motor

El motor funcionará durante 60 segundos después de producirse la retransferencia.

Si Necesita Llamar a Fábrica

Antes de ponerse en contacto con Briggs and Stratton Power Products en relación con el servicio o reparación de este conector, tome nota del número de modelo y del número de serie que figuran en la etiqueta adhesiva de datos de la unidad situada en el interior de la caja.

A contacto Briggs and Stratton Power Products, llame al 1-800-743-4115, entre las 8:00 AM y las 5:00 PM hora del centro.

ESPECIFICACIONES

UL® 1008 Listó Conector

Modelo 01813-I

Carga máxima/circuito:
 desde el centro de carga100 A
 Tensión nominal c.a.250 V
 Polos2
 Frecuencia50/60 Hz
 Valor nominal de la corriente
 conexión a tierra22,000 Amperios Eficaces, Simétrica
 Valor nominal de los
 contactos de supervisión1 A, 125 V CA, régimen de piloto
 Peso21 lbs.

Modelo 01814-I

Carga máxima/circuito:
 desde el centro de carga200 A
 Tensión nominal c.a.250 V
 Polos2
 Frecuencia50/60 Hz
 Valor nominal de la corriente
 conexión a tierra25,000 Amperios Eficaces, Simétrica
 Valor nominal de los
 contactos de supervisión1 A, 125 V CA, régimen de piloto
 Peso34 lbs.

Modelo 01928-I

Carga máxima/circuito:
 desde el centro de carga100 A
 Tensión nominal c.a.250 V
 Polos2
 Frecuencia50/60 Hz
 Valor nominal de la corriente
 conexión a tierra22,000 Amperios Eficaces, Simétrica
 Valor nominal de los
 contactos de supervisión1 A, 125 V CA, régimen de piloto
 Peso32 lbs.

Modelo 01929-I

Carga máxima/circuito:
 desde el centro de carga200 A
 Tensión nominal c.a.250 V
 Polos2
 Frecuencia50/60 Hz
 Valor nominal de la corriente
 conexión a tierra25,000 Amperios Eficaces, Simétrica
 Valor nominal de los
 contactos de supervisión1 A, 125 V CA, régimen de piloto
 Peso44 lbs.

REPARACION DE AVERIAS

Problema	Causa	Accion
El conector automático no transfiere la conexión al generador	<ol style="list-style-type: none"> 1. El disyuntor del generador está abierto. 2. La tensión del generador no es aceptable. 	<ol style="list-style-type: none"> 1. Rearme el disyuntor del generador. 2. Consulte el manual del generador.
El conector automático no transfiere la conexión a la red pública	<ol style="list-style-type: none"> 1. El disyuntor de desconexión de servicio está abierto. 2. La tensión de la red pública no es aceptable. 	<ol style="list-style-type: none"> 1. Rearme el disyuntor de desconexión de servicio. 2. Espere a que se restablezca la normalidad en la tensión de la red pública.
El generador sigue funcionando después de que el conector transfiera la conexión a la red pública	El período de enfriamiento del motor.	El motor debería detenerse después de 1 minutos.
Las cargas supervisadas (acondicionador de aire, etc.) no funcionan cuando se utiliza la red eléctrica	Los contactos NC no funcionan correctamente.	Compruebe si el contacto NC funciona correctamente y verifique el cableado de control de la carga externa.
El generador sigue funcionando cuando se restablece la alimentación eléctrica de la red	<ol style="list-style-type: none"> 1. No ha transcurrido el tiempo de funcionamiento mínimo del motor. 2. El o los fusibles del conector son defectuosos. 	<ol style="list-style-type: none"> 1. Espere cinco minutos a que el conector vuelva a utilizar la tensión de la red pública. 2. Compruebe los fusibles y sustitúyalos si fuera necesario.

Fecha de entrada en vigor: 1 de Noviembre de 2005. Sustituye a todas las garantías sin fecha y a las de fecha anterior al 1 de Noviembre de 2005

GARANTÍA LIMITADA

Briggs & Stratton Power Products Group, LLC reparará o sustituirá sin cargo alguno cualquier componente del equipo que presente defectos de materiales y/o mano de obra. Los gastos de transporte de las producto enviadas para reparar o sustituir conforme a los términos de esta garantía correrán a cargo del comprador. El periodo de vigencia y las condiciones de esta garantía son los que se estipulan a continuación. Para obtener servicio en garantía, localice el distribuidor de servicio autorizado más próximo en nuestro mapa de distribuidores, en www.BRIGGSandSTRATTON.COM.

NO EXISTE NINGUNA OTRA GARANTÍA EXPLÍCITA. LAS GARANTÍAS IMPLÍCITAS, INCLUIDAS LAS DE COMERCIABILIDAD O IDONEIDAD PARA UN FIN CONCRETO, SE LIMITAN A UN AÑO DESDE LA FECHA DE COMPRA O AL LÍMITE DE TIEMPO PERMITIDO POR LA LEY. QUEDAN EXCLUIDAS TODAS LAS GARANTÍAS IMPLÍCITAS QUEDA EXCLUIDA LA RESPONSABILIDAD POR DAÑOS SECUNDARIOS Y DERIVADOS HASTA EL LÍMITE PERMITIDO POR LA LEY. Algunos países o estados no permiten limitar la duración de una garantía implícita ni excluir o limitar los daños secundarios y derivados. Por tanto, es posible que las limitaciones y exclusiones mencionadas no sean aplicables en su caso. Esta garantía le otorga determinados derechos legales y es posible que tenga otros derechos que pueden variar de un país o estado a otro.

PERÍODO DE GARANTÍA

Uso del consumidor	3 Años
Uso comercial	ninguno

El período de garantía comienza en la fecha de compra del primer consumidor o usuario comercial final y se prolonga durante el tiempo especificado en la siguiente tabla. "Uso del consumidor" significa uso doméstico personal por parte de un consumidor final. "Uso comercial" significa cualquier otro uso, incluidos los usos con fines comerciales, de generación de ingresos o alquiler. Una vez que el equipo se haya usado con fines comerciales, se considerará como equipo de uso comercial a efectos de esta garantía. Los equipos utilizados para suministrar energía en sustitución de un servicio público no pueden acogerse a esta garantía.

NO ES NECESARIO REGISTRAR LA GARANTÍA PARA OBTENER SERVICIO DE BRIGGS & STRATTON PRODUCTS. GUARDE SU RECIBO DE COMPRA. SI NO APORTA LA PRUEBA DE LA FECHA DE COMPRA INICIAL, SE UTILIZARÁ LA FECHA DE FABRICACIÓN DEL PRODUCTO PARA DETERMINAR EL PERÍODO DE GARANTÍA.

ACERCA DE LA EQUIPO GARANTÍA

Esperamos que disfrute de nuestra garantía y le pedimos disculpas por las molestias causadas. Cualquier distribuidor de servicio autorizado puede llevar a cabo reparaciones en garantía. La mayoría de las reparaciones en garantía se gestionan normalmente, pero algunas veces la solicitud de servicio en garantía puede no ser procedente. Por ejemplo, la garantía no será válida si el equipo presenta daños debidos al mal uso, la falta de mantenimiento, el transporte, la manipulación, el almacenamiento o la instalación inadecuados. De manera similar, la garantía quedará anulada si se ha borrado la fecha de fabricación o el número de serie del equipo, o si el equipo ha sido alterado o modificado. Durante el período de garantía, el distribuidor de servicio autorizado podrá reparar o sustituir, a su libre elección, cualquier pieza que, previa inspección, sea defectuosa en condiciones normales de uso y servicio. Esta garantía no cubre las reparaciones y equipos que se detallan a continuación:

- **Desgaste normal:** Al igual que cualquier otro aparato mecánico, los equipos de uso en exteriores necesitan piezas y mantenimiento periódicos para funcionar correctamente. Esta garantía no cubre las reparaciones cuando el uso normal haya agotado la vida útil de una pieza concreta del equipo.
- **Instalación y mantenimiento:** Esta garantía no cubre los equipos ni las piezas cuya instalación sea incorrecta o no haya sido autorizada, ni aquellos que hayan sido objeto de cualquier tipo de alteración, mal uso, negligencia, accidente, sobrecarga o mantenimiento, reparación o almacenamiento inadecuados que, a nuestro juicio, haya afectado negativamente a su funcionamiento y su fiabilidad. La garantía tampoco cubre el mantenimiento normal, como los ajustes y la limpieza y cambio de los fusibles.
- **Otras exclusiones:** También quedan excluidos de esta garantía el desgaste de los artículos tales y los daños derivados de accidentes, uso indebido, modificaciones, alteraciones, servicio inadecuado. Los accesorios quedan excluidos de la garantía del producto. Esta garantía excluye los fallos debidos a hechos fortuitos y a otros acontecimientos de fuerza mayor que escapan al control del fabricante. También se excluyen los equipos usados o reacondicionados y los destinados a demostraciones. 198180S, Rev. C, 12/31/2006

BRIGGS & STRATTON POWER PRODUCTS GROUP, LLC
JEFFERSON, WI, EE.UU



Free Manuals Download Website

<http://myh66.com>

<http://usermanuals.us>

<http://www.somanuals.com>

<http://www.4manuals.cc>

<http://www.manual-lib.com>

<http://www.404manual.com>

<http://www.luxmanual.com>

<http://aubethermostatmanual.com>

Golf course search by state

<http://golfingnear.com>

Email search by domain

<http://emailbydomain.com>

Auto manuals search

<http://auto.somanuals.com>

TV manuals search

<http://tv.somanuals.com>