



Installation & Operator's Manual Manuel d'installation et d'utilisation Manual de Instalación y del Operario

Questions? Help is just a moment away!
Vous avez des questions? Vous n'avez pas
besoin d'aller loin pour trouver de l'aide!
¿Preguntas? ¡La ayuda está muy cerca!

Call: **Home Generator Helpline**

Appelez: **Ligne Directe de GÉNÉRATRICE
LRÉSIDENTIELLE**

Llame: **Línea Directa de Generador de Hogar**
1-800-743-4115 M-F 8-5 CT
BRIGGSandSTRATTON.com



30A NEMA 1 / NEMA 3R Switching Neutral Manual Transfer Switch

Models 071014 & 071017 Part No. 198417GS Rev. - (08/15/06)

c  us
1008 LISTED



Controls by Eaton's Cutler-Hammer

TABLE OF CONTENTS

TABLE OF CONTENTS

TABLE OF CONTENTS	2	ESSENTIAL CIRCUIT ISOLATION	8
IMPORTANT SAFETY INSTRUCTIONS	3	Power Wiring Interconnections	9-10
INTRODUCTION	4	Inlet Box	11-12
For the Home Owner	4	Connecting Cord Set	12
For the Installing Dealer/Contractor	4	SYSTEM OPERATION	13
Owner Orientation	5	Load Management	13
Installer Responsibilities	5	SPECIFICATIONS	14
Equipment Description	5	Model 071014	14
Generator Compatibility	5	Model 071017	14
INSTALLATION	6	When Calling The Factory	14
Unpacking	6	TROUBLESHOOTING	15
Delivery Inspection	6	SERVICE PARTS	16
Mounting Guidelines	7	WARRANTY	17

Copyright © 2006 Briggs & Stratton Power Products Group, LLC. All rights reserved. No part of this material may be reproduced or transmitted in any form by any means without the express written permission of Briggs & Stratton Power Products Group, LLC.



is a registered trademark of Briggs & Stratton Corporation, Milwaukee, WI, U.S.A.


IMPORTANT SAFETY INSTRUCTIONS

SAVE THESE INSTRUCTIONS

IMPORTANT SAFETY INSTRUCTIONS



This is the safety alert symbol. It is used to alert you to potential personal injury hazards. Obey all safety messages that follow this symbol to avoid possible injury or death.

The safety alert symbol () is used with a signal word (DANGER, CAUTION, WARNING), a pictorial and/or a safety message to alert you to hazards.

DANGER indicates a hazard which, if not avoided, *will* result in death or serious injury. **WARNING** indicates a hazard which, if not avoided, *could* result in death or serious injury. **CAUTION** indicates a hazard which, if not avoided, *might* result in minor or moderate injury. **NOTICE**, when used **without** the alert symbol, indicates a situation that could result in equipment damage. Follow safety messages to avoid or reduce the risk of injury or death.

The manufacturer cannot possibly anticipate every possible circumstance that might involve a hazard. The warnings in this manual, and the tags and decals affixed to the unit are, therefore, not all-inclusive. If you use a procedure, work method or operating technique that the manufacturer does not specifically recommend, you must satisfy yourself that it is safe for you and others. You must also make sure that the procedure, work method or operating technique that you choose does not render the transfer switch unsafe.



WARNING



Contact with live parts can cause electric shock or burn.

- Licensed electrician must perform installation of transfer switch.
- Follow all applicable federal, state and local codes, standards and regulations.



WARNING



Failure to properly ground transfer switch can result in electrocution.

- DO NOT touch bare wires or receptacles.
- DO NOT use transfer switch with worn, frayed, bare or otherwise damaged wiring.
- DO NOT handle electrical cords while standing in water, while barefoot, or while hands or feet are wet.
- If you must work around a unit while it is operating, stand on an insulated dry surface to reduce shock hazard.
- DO NOT allow unqualified persons or children to operate or service transfer switch.
- In case of an accident caused by electrical shock, immediately shut down the source of electrical power and contact local authorities. **Avoid direct contact with the victim.**



WARNING



Transfer Switch contains hazardous voltage that can cause personal injury or death.

- Despite the safe design of the transfer switch, operating this equipment imprudently, neglecting its maintenance or being careless can cause possible injury or death.

NOTICE

Improper treatment of transfer switch can damage it and shorten its life.

- Use transfer switch only for intended uses.
- If you have questions about intended use, ask dealer or contact Briggs and Stratton Power Products.
- DO NOT expose transfer switch to excessive moisture, dust, dirt, or corrosive vapors.
- Remain alert at all times while working on this equipment. NEVER work on the equipment when you are physically or mentally fatigued.
- If connected devices overheat, turn them off and turn off their circuit breaker/fuse.

INTRODUCTION

Thank you for your purchase of this Briggs & Stratton Switching Neutral Manual Transfer Switch. This transfer switch is designed for use with generators equipped with or without Ground Fault Circuit Interrupters (GFCI). The switch disconnects the appropriate neutral circuit to allow the GFCI to function properly.

This transfer switch is for use with optional home standby systems which provide an alternate source of electric power and to serve loads such as a gas furnace, refrigeration and communication systems that, when stopped during any power outage, could cause discomfort, or the like. This product DOES NOT qualify for emergency standby as defined by NFPA 70 (NEC).

Briggs and Stratton Power Products (BSPP) has made every effort to provide for a safe, streamlined and cost-effective installation. Each installation is unique, it is impossible to know of and advise of all conceivable procedures and methods by which installation might be achieved. We do not know all possible hazards and/or the results of each method or procedure. For these reasons,

**Only licensed electricians
should install transfer switches.**

**Installations must strictly comply with all
applicable federal, state and local codes,
standards and regulations.**

Your BSPP Transfer Switch is supplied with this combined "Installation and Operator's Manual". This is an important document and should be retained by the owner after the installation has been completed.

Every effort has been expended to make sure that the information in this manual is both accurate and current. However, the manufacturer reserves the right to change, alter or otherwise improve the system at any time without prior notice.

For the Home Owner

To help you make informed choices and communicate effectively with your installation contractor(s),

**Read and understand the
Owner Orientation Section of this manual
BEFORE contracting or starting
your transfer switch installation.**

To arrange for proper installation, contact the store at which you purchased your BSPP Transfer Switch, your dealer, or your utility power provider.

**The Transfer Switch Warranty is VOID
unless the system is installed by a
licensed electrical professional.**

For the Installing Dealer/Contractor

- Check federal, state and local codes for questions on installation.
- If you need more information about the transfer switch, call 1-800-743-4115, between 8:00 AM and 5:00 PM CT.

INTRODUCTION

Owner Orientation

The provided illustrations depict typical circumstances and are meant to familiarize you with the installation options available with your transfer switch.

Local codes, appearance, and distances are factors that must be considered when negotiating with an installation professional. As the distance from the existing electrical service increases, compensation in wiring materials must be allowed for. This is necessary to comply with local codes and overcome electrical voltage drops.

The factors mentioned above will have a direct effect on the overall price of your transfer switch installation.

NOTE: Your installer must check local codes AND obtain permits before installing the system.

Read and follow the instructions given in this manual.

Installer Responsibilities

- Read and observe the safety rules.
- Read and follow the instructions given in this manual.
- Check federal, state and local codes, standards and regulations.
- Ensure generator is not overloaded with selected loads.

Equipment Description

This transfer switch is intended to operate electrical loads found in normal residential installations. The load is connected either to utility power (normal) or home standby power (generator).

The manual transfer switch is equipped with two main circuit breakers (“GENERATOR SUPPLY” and “UTILITY SUPPLY”) and a mechanical interlock. The “GENERATOR SUPPLY” circuit breaker connects power from the generator to the load devices wired to the manual transfer switch. The “UTILITY SUPPLY” circuit breaker connects utility power from the distribution panel to the loads wired to the manual transfer switch. Each of these circuit breakers have an isolated neutral that **MUST** be connected inside the transfer switch.

The mechanical interlock allows the circuit breakers for either the generator power “GENERATOR SUPPLY” or the utility power “UTILITY SUPPLY” to be turned on to provide power to the selected house loads. This switching neutral manual transfer switch will not allow utility line power and generator power to be connected to a load device at the same time.

If utility line power is restored while generator power is being used, there will be no effect on the generator or transfer switch components. When utility power is restored, follow the instructions in the section “System Operation”.

Generator Compatibility

Only use a generator that is factory-equipped with a NEMA L14-20R or NEMA L14-30R receptacle, shown in Figures 9 and 10.

NOTICE

- NEVER connect transfer switch to any receptacle other than those recommended as damage to connected appliances may occur.

INSTALLATION

Unpacking

Delivery Inspection

Remove the Transfer Switch components shown in Figure 1 from the shipping carton.

The transfer switch is supplied ready for installation. Inspect the switch and its attached components for any shipping damage.

The inlet box is supplied ready to be wired. Inspect it, the connection cord set, and the connecting plugs for any damage. The installer will select and connect the appropriate connection cord plug to match generator receptacle.

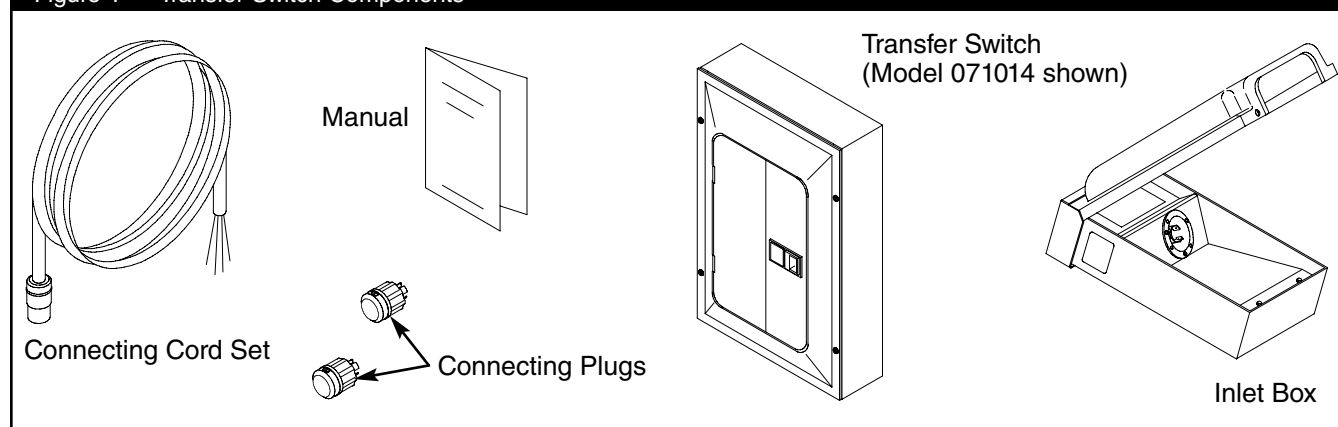
IMPORTANT: If loss or damage is noted at time of delivery, have the person(s) making delivery note all damage on the freight bill and affix his signature under the consignor's memo of loss or damage. If loss or damage is noted after delivery, contact the carrier for claim procedures. Freight damaged parts are not warranted.

Items Not Shipped with Transfer Switch:

The following items, required for system installation, are not included and must be provided by the installer:

1. Tools required for installation
2. Anchors and screws to mount the transfer switch components and conduit.
3. Conduit, fittings, wire nuts, and insulated copper wire for connecting the transfer switch to the outside inlet box and main distribution panel.

Figure 1 — Transfer Switch Components



INSTALLATION

Mounting Guidelines

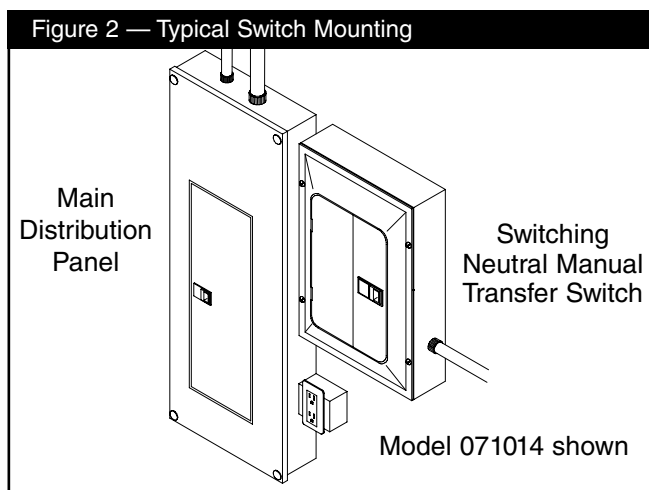
The Model 071014 Switching Neutral Manual Transfer Switch is enclosed in a NEMA Type 1 enclosure suitable for indoor use ONLY.

The Model 071017 Manual Transfer Switch is enclosed in a NEMA Type 3R enclosure suitable for indoor/outdoor use.

Guidelines for mounting the Switching Neutral Manual Transfer Switch include:

- Model 071017 Switching Neutral Manual Transfer Switch must be installed with minimum NEMA 3R hardware for conduit connections.
- Install switch on a firm, sturdy supporting structure.
- Ensure enclosure is level and plumb. This can be done by placing washers between switch enclosure and mounting surface.
- NEVER install switch where any corrosive substance might drip onto enclosure.
- Protect switch at all times against excessive moisture, dust, dirt, lint, construction grit and corrosive vapors.

The typical installation of the Switching Neutral Manual Transfer Switch is depicted in Figure 2. Discuss layout suggestions/changes with the owner before beginning the system installation process.



INSTALLATION

ESSENTIAL CIRCUIT ISOLATION

Essential electrical loads are loads that will be powered by the Home Generator System. Essential loads are grouped together and wired into the transfer switch.



TO THE INSTALLER: Consult with Home Generator System owner(s) to discuss their selection of essential circuits, described in generator operator's manual.

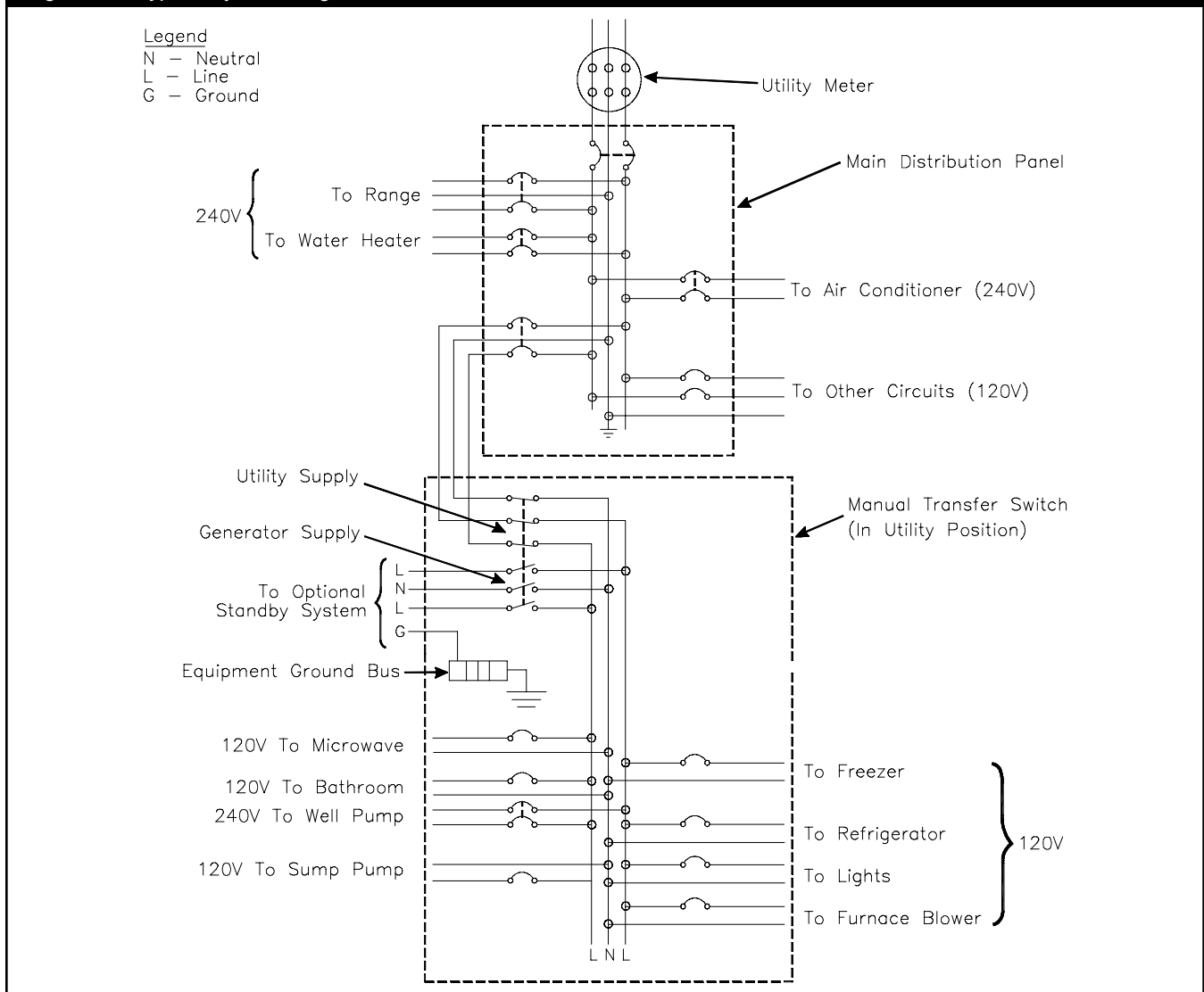
DO NOT overload generator as described in generator operator's manual.

The Switching Neutral Manual Transfer Switch is connected to the branch circuit side in the main distribution panel.

All wiring must conform to federal, state and local codes.

The illustration in Figure 3 depicts the Home Generator System while utility is supplying 120/240 Volt, single-phase electrical service.

Figure 3 — Typical System Diagram with Essential Circuits



Power Wiring Interconnections

All wiring must be the proper size, properly supported and protected by conduit. Ensure all power is disconnected during installation.

Complete connections between the inlet box, main distribution panel and the transfer switch per Figure 4 on the next page.

1. Connect utility feeder from two pole 50 Amp branch circuit breaker in main distribution panel, to transfer switch 50 Amp breaker marked "Utility Supply".
2. Connect main distribution panel neutral to transfer switch 50 Amp breaker neutral marked "Utility Supply". DO NOT connect to neutral or ground bus in transfer switch.
3. Connect main distribution panel equipment ground to equipment ground bus in transfer switch.
4. Connect generator feeder from receptacle in inlet box to transfer switch 30 Amp breaker marked "Generator Supply".
5. Connect generator neutral from receptacle in inlet box to transfer switch 30 Amp breaker neutral marked "Generator Supply" DO NOT connect to neutral or ground bus in transfer switch.
6. Connect generator equipment ground from receptacle in inlet box to transfer switch ground bus.

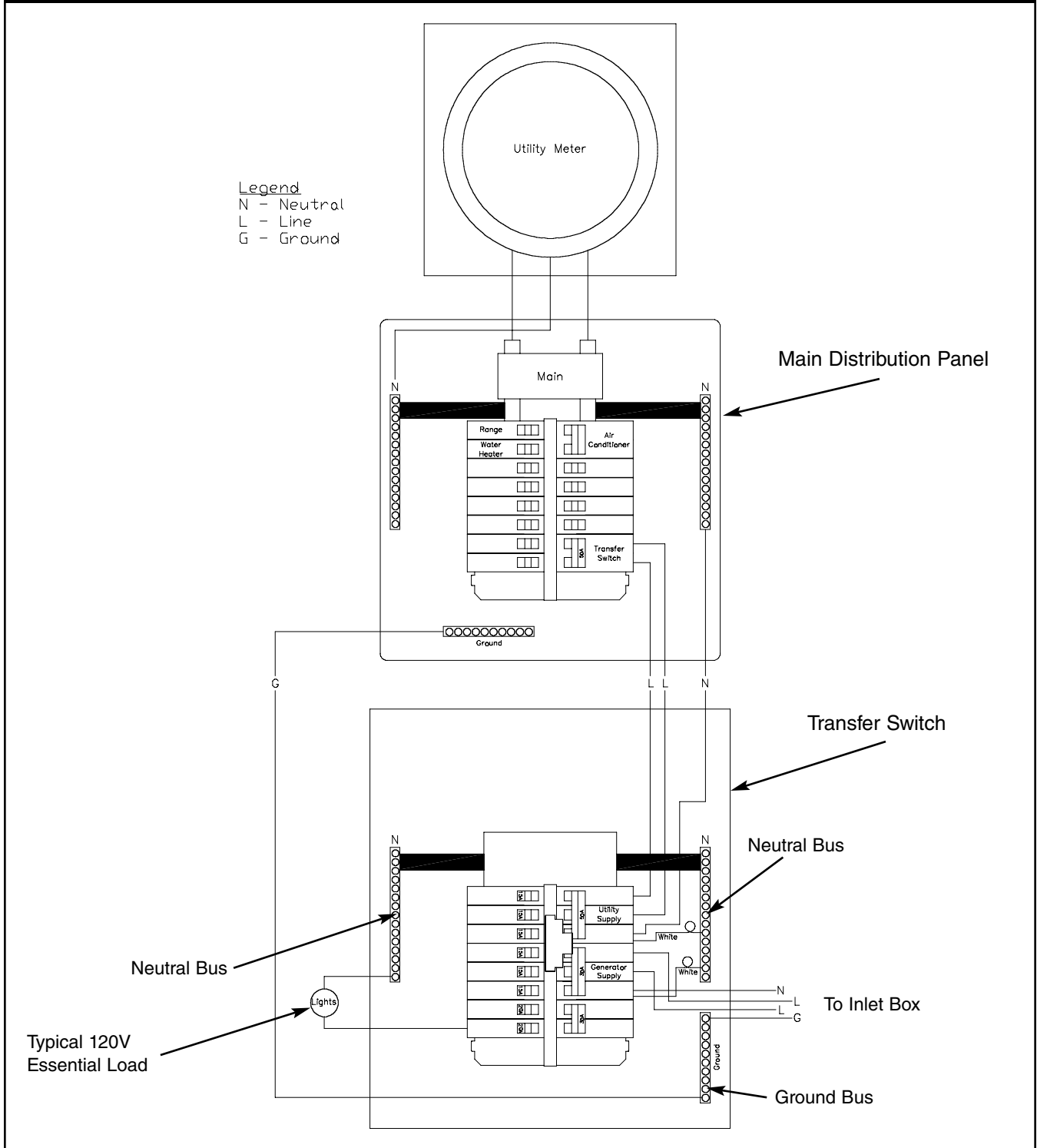
IMPORTANT: Connecting the transfer switch neutral bus to ground will trip the generator GFCI. DO NOT connect the transfer switch neutral bus to ground.

7. Connect all branch circuit breakers to appropriate essential circuits, including line and neutral circuit conductors.
8. Tighten all wire connections and fasteners to proper torque.

NOTE: Utility and Generator branch circuit breakers in transfer switch are specially designed to disconnect appropriate neutral circuits during operation. This feature allows the use of Ground Fault Circuit Interrupter devices on generators when installed correctly.

INSTALLATION

Figure 4 — A Typical Installation Diagram for Transfer Switch



INSTALLATION

Inlet Box

Installation must strictly comply with all applicable federal, state and local codes when installing the generator inlet box provided with this system.

1. Locate and mount inlet box on an outside wall as close as possible to transfer switch. However, consider household air intake ducting when when locating generator and inlet box.

A typical transfer switch complete installation is depicted in Figure 5.

2. Remove inlet box inner panel. Mount inlet box on an outside wall (Figure 6).
3. Run appropriately sized conduit from transfer switch to inlet box. Anchor all boxes, conduit, and fittings.

Figure 6 — Inlet Box Installation

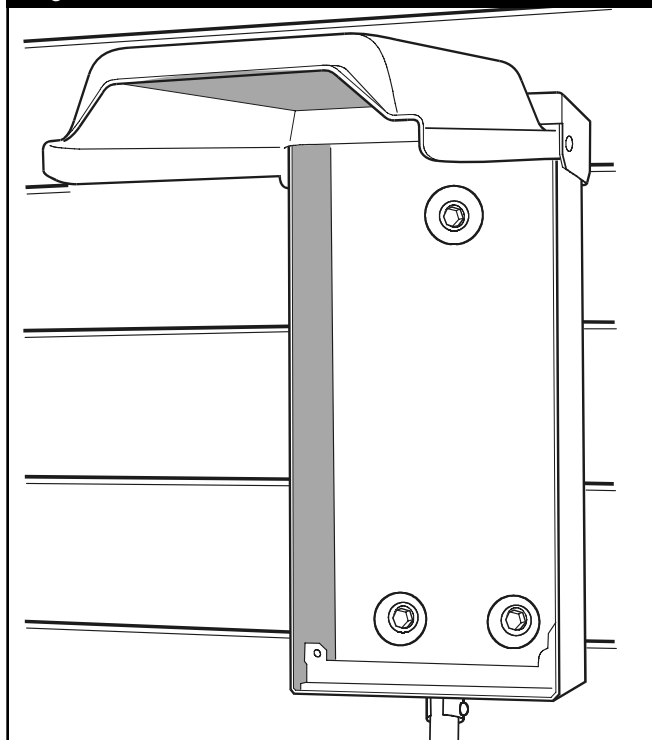
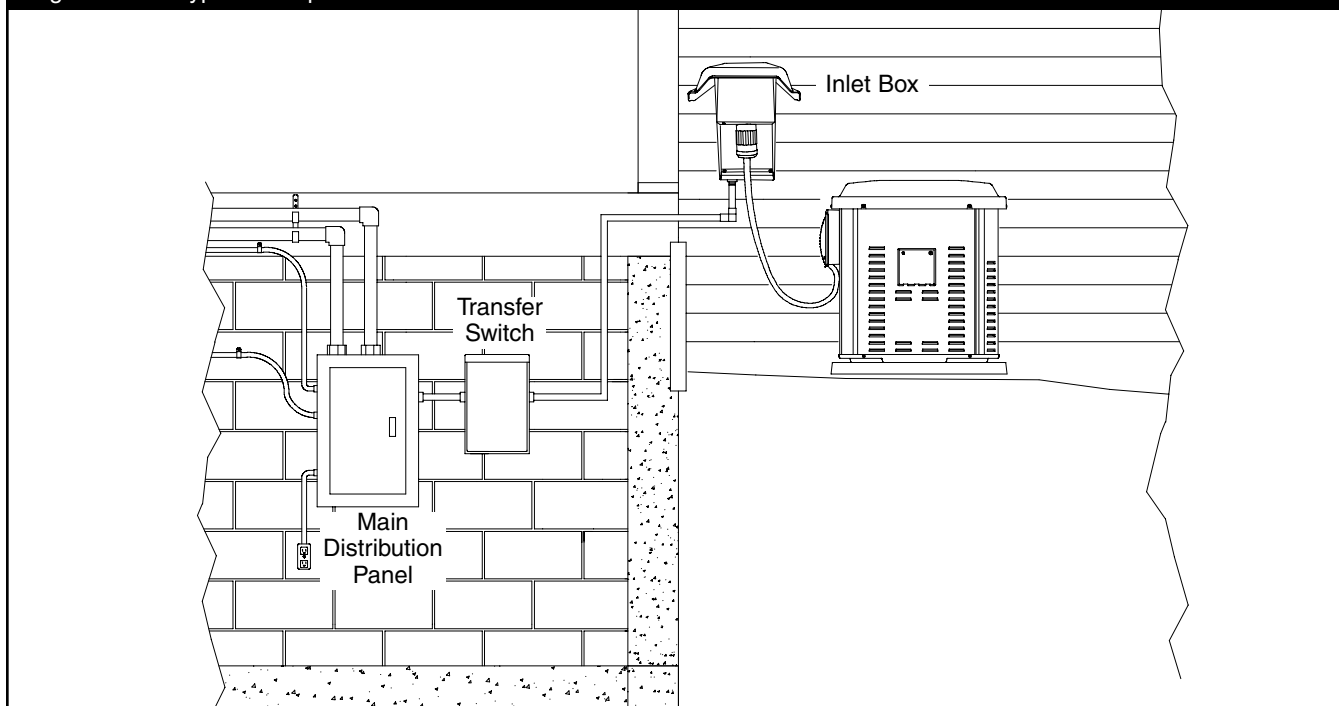


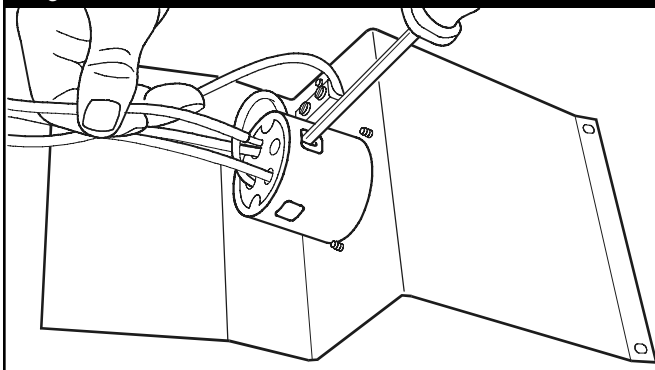
Figure 5 — A Typical Completed Transfer Switch Installation



INSTALLATION

- As shown in Figure 7, cut, strip, and connect each wire to the appropriate terminal on the locking receptacle on the inlet box inner panel. Use the schematic affixed to the inside of the inlet box to make proper wire connections. When all connections have been made, reinstall the inlet box inner panel.

Figure 7 — Inlet Box Connections



Connecting Cord Set

From the two 120/240 Volt connection plugs supplied with the transfer switch, select the one that mates to the generator. Referring to the image in Figure 8 and the schematic in Figure 9 or Figure 10 that applies to the connector being used, properly attach the plug to the pigtail end of the connecting cord set.

Figure 8 — Receptacle Connection

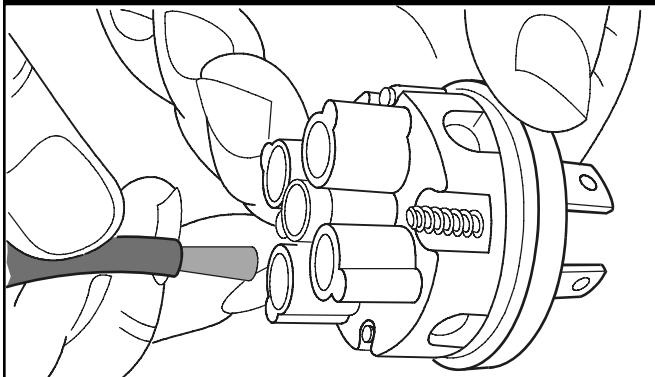


Figure 9 — 20A Cord Set Connector

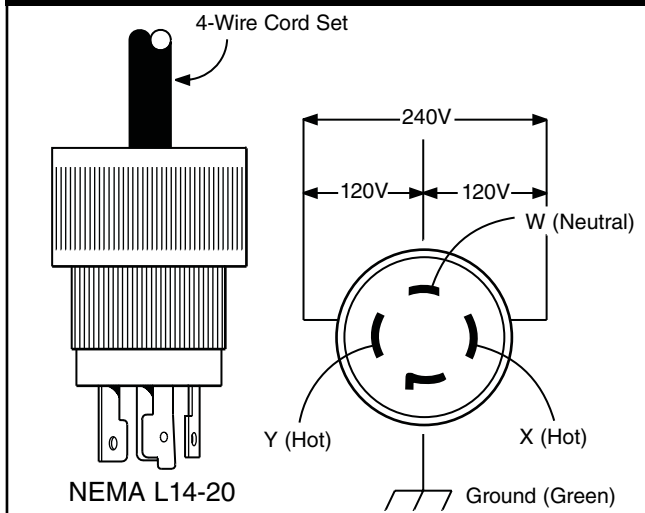
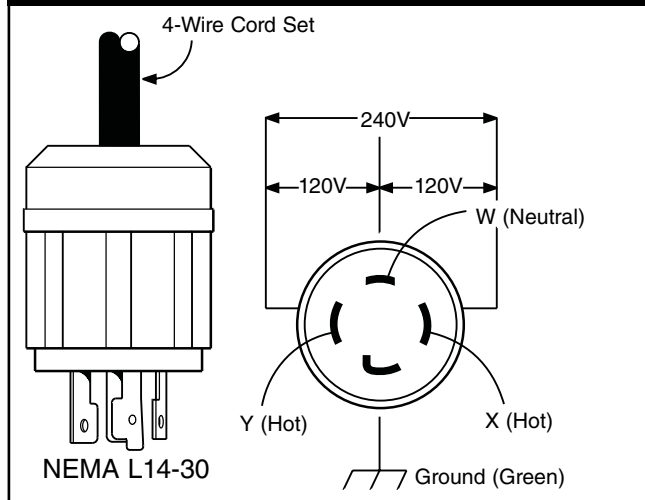


Figure 10 — 30A Cord Set Connector



SYSTEM OPERATION

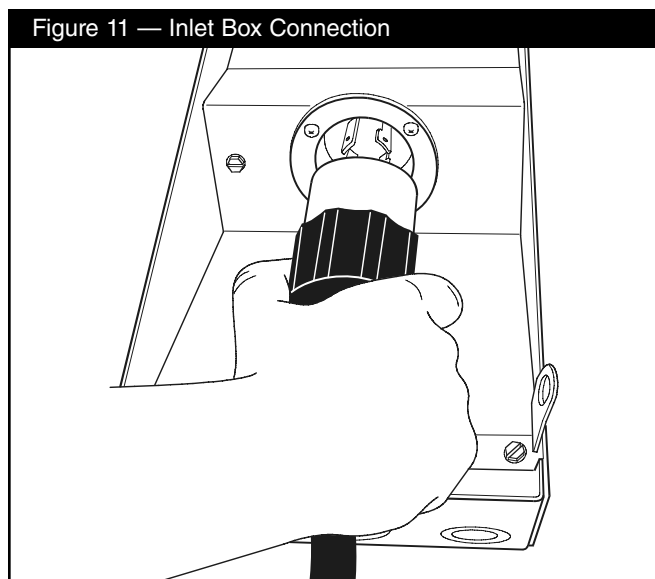
Load Management

The number of circuits that can be operated simultaneously during a utility failure will depend on the wattage capacity of your generator. **Most optional standby system generators do not have the capacity to handle loads on all transfer switch circuits at the same time.**

Review the load management plan developed with the installer. It may be necessary to selectively turn on and off certain loads while using generator power so that necessary appliances can be operated.

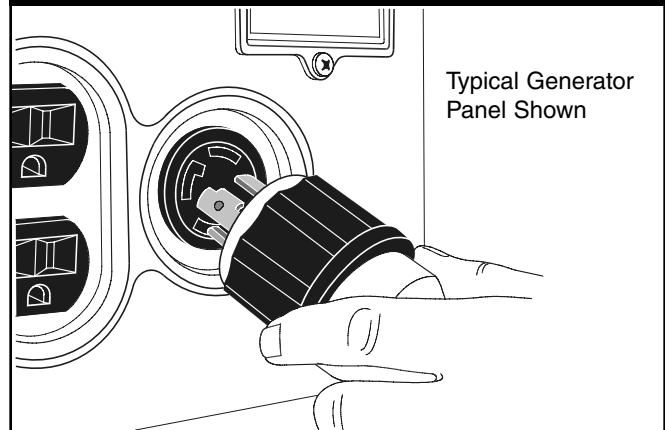
To transfer from utility power to generator power:

1. Align female socket of connecting cord set with inlet box receptacle's mating male prongs, as shown in Figure 11. Push cord set connector in and twist clockwise to lock.



2. Align male prongs on other end of cord set with mating female terminals of generator's 240V receptacle, as shown in Figure 12. Push in connector and twist clockwise to lock.

Figure 12 — Align Connectors at Generator



3. Ensure generator is outdoors as described in generator operator's manual.
4. Start generator following instructions given in the generator operator's manual.
5. Turn OFF breaker labeled "UTILITY SUPPLY" in transfer switch.
6. Turn OFF all branch circuit breakers in transfer switch.
7. Slide mechanical interlock in transfer switch and turn "GENERATOR SUPPLY" breaker to ON position.
8. Turn ON branch circuit breakers one at a time following your load management plan developed with installer. **DO NOT** overload generator as described in generator operator's manual.

To transfer from generator power back to utility power:

1. Turn OFF breaker labeled "GENERATOR SUPPLY" in transfer switch.
2. Turn OFF all branch circuit breakers in transfer switch.
3. Slide mechanical interlock in transfer switch and turn "UTILITY SUPPLY" breaker to ON position.
4. Turn ON branch circuit breakers one at a time.
5. Shut off generator following instructions given in generator operator's manual.
6. Disconnect connecting cord set from generator and inlet box.

IMPORTANT: ALWAYS unplug cord when not in use and store INDOORS.

SPECIFICATIONS

UL® 1008 Listed Transfer Switch

Model 071014

EnclosureNEMA 1
Utility Supply Circuit Breaker Rating50 Amps
Generator Supply Circuit Breaker Rating ..30 Amps
Rated AC Voltage250 Volts
Poles2
Fault Current Rating10,000 RMS Symmetrical
Amperes
Weight27 lbs.

UL® 1008 Listed Transfer Switch

Model 071017

EnclosureNEMA 3R
Utility Supply Circuit Breaker Rating50 Amps
Generator Supply Circuit Breaker Rating ..30 Amps
Rated AC Voltage250 Volts
Poles2
Fault Current Rating10,000 RMS Symmetrical
Amperes
Weight34 lbs.

When Calling the Factory

Before contacting Briggs and Stratton Power Products regarding service or repair of this transfer switch, obtain the Model Number from the unit data decal located on or inside the case.

To contact Briggs and Stratton Power Products call 1-800-743-4115, between 8:00 AM and 5:00 PM CT.

TROUBLESHOOTING

Problem	Cause	Solution
Generator is running, but no AC output is available.	<ol style="list-style-type: none"> 1. Generator circuit breaker is open. 2. Poor connection or defective cord set. 3. Connected device is bad. 4. Fault in generator. 	<ol style="list-style-type: none"> 1. Reset circuit breaker. 2. Check and repair. 3. Select a different appliance or load that is in good condition. 4. Contact authorized service center.
Generator runs good but bogs down when loads are connected.	<ol style="list-style-type: none"> 1. Short circuit in a connected load. 2. Generator is overloaded. 	<ol style="list-style-type: none"> 1. Disconnect shorted electrical load. 2. See "Load Management" on page 13.
Appliances don't work after utility power comes back on.	<ol style="list-style-type: none"> 1. Transfer switch in GENERATOR position. 2. Circuit breaker in main distribution panel is open. 	<ol style="list-style-type: none"> 1. Set switch to UTILITY position. 2. Reset circuit breaker in main distribution panel.
GFCI breaker in generator control panel trips.	<ol style="list-style-type: none"> 1. Ground fault in connected load. 2. Defective GFCI device. 3. Neutral bonded to ground in transfer switch. 	<ol style="list-style-type: none"> 1. Remove load with fault. 2. Contact authorized service center. 3. Contact authorized service center.

TRANSFER SWITCH SERVICE PARTS

MODEL 071014 (NEMA 1)

Part #	Description
198414GS	SWITCH, MNL, Transfer, NEMA 1
B3298GS	BOX, Connection, 30A
198415GS	CORDSET, 125/250V, 30A
43438GS	PLUG, 125/250V, 30A, 4P Locking
43483GS	PLUG, 250V, 20A, 4P
198417GS	MANUAL, Operator's

MODEL 071017 (NEMA 3R)

Part #	Description
201031GS	SWITCH, MNL, Transfer, NEMA 3R
B3298GS	BOX, Connection, 30A
198415GS	CORDSET, 125/250V, 30A
43438GS	PLUG, 125/250V, 30A, 4P Locking
43483GS	PLUG, 250V, 20A, 4P
198417GS	MANUAL, Operator's

BRIGGS & STRATTON POWER PRODUCTS GROUP, LLC TRANSFER SWITCH OWNER WARRANTY POLICY

Effective November 1, 2005 replaces all undated Warranties and all Warranties dated before November 1, 2005

LIMITED WARRANTY

Briggs & Stratton Power Products Group, LLC will repair or replace, free of charge, any part(s) of the equipment that is defective in material or workmanship or both. Transportation charges on product submitted for repair or replacement under this warranty must be borne by purchaser. This warranty is effective for the time periods and subject to the conditions stated below. For warranty service, find the nearest Authorized Service Dealer in our dealer locator map at BRIGGSandSTRATTON.com.

THERE IS NO OTHER EXPRESS WARRANTY. IMPLIED WARRANTIES, INCLUDING THOSE OF MERCHANTABILITY AND FITNESS FOR A PARTICULAR PURPOSE, ARE LIMITED TO ONE YEAR FROM PURCHASE, OR TO THE EXTENT PERMITTED BY LAW ANY AND ALL IMPLIED WARRANTIES ARE EXCLUDED. LIABILITY FOR INCIDENTAL OR CONSEQUENTIAL DAMAGES ARE EXCLUDED TO THE EXTENT EXCLUSION IS PERMITTED BY LAW. Some states or countries do not allow limitations on how long an implied warranty lasts, and some states or countries do not allow the exclusion or limitation of incidental or consequential damages, so the above limitation and exclusion may not apply to you. This warranty gives you specific legal rights and you may also have other rights which vary from state to state or country to country.

WARRANTY PERIOD

Consumer Use	3 years
Commercial Use	None

The warranty period begins on the date of purchase by the first retail consumer or commercial end user, and continues for the period of time stated in the table above. "Consumer use" means personal residential household use by a retail consumer. "Commercial use" means all other uses, including use for commercial, income producing or rental purposes. Once equipment has experienced commercial use, it shall thereafter be considered as commercial use for purposes of this warranty. Equipment used for prime power in place of utility are not applicable to this warranty.

NO WARRANTY REGISTRATION IS NECESSARY TO OBTAIN WARRANTY ON BRIGGS & STRATTON PRODUCTS. SAVE YOUR PROOF OF PURCHASE RECEIPT. IF YOU DO NOT PROVIDE PROOF OF THE INITIAL PURCHASE DATE AT THE TIME WARRANTY SERVICE IS REQUESTED, THE MANUFACTURING DATE OF THE PRODUCT WILL BE USED TO DETERMINE THE WARRANTY PERIOD.

ABOUT YOUR WARRANTY

We welcome warranty repair and apologize to you for being inconvenienced. Any Authorized Service Dealer may perform warranty repairs. Most warranty repairs are handled routinely, but sometimes requests for warranty service may not be appropriate. For example, warranty service would not apply if equipment damage occurred because of misuse, lack of routine maintenance, shipping, handling, warehousing or improper installation. Similarly, the warranty is void if the manufacturing date or the serial number on the equipment has been removed or the equipment has been altered or modified. During the warranty period, the Authorized Service Dealer, at its option, will repair or replace any part that, upon examination, is found to be defective under normal use and service. This warranty will not cover the following repairs and equipment:

- **Normal Wear:** Outdoor Power Equipment, like all mechanical devices, needs periodic parts and service to perform well. This warranty does not cover repair when normal use has exhausted the life of a part or the equipment.
- **Installation and Maintenance:** This warranty does not apply to equipment or parts that have been subjected to improper or unauthorized installation or alteration and modification, misuse, negligence, accident, overloading, improper maintenance, repair or storage so as, in our judgment, to adversely affect its performance and reliability. This warranty also does not cover normal maintenance such as adjustments, cleaning and fuse replacement.
- **Other Exclusions:** This warranty excludes wear items or damage or malfunctions resulting from accidents, abuse, modifications, alterations, or improper servicing. Accessory parts are excluded from the product warranty. This warranty excludes failures due to acts of God and other force majeure events beyond the manufacturers control. Also excluded is used, reconditioned, and demonstration equipment.

BRIGGS & STRATTON POWER PRODUCTS GROUP, LLC
JEFFERSON, WI, USA


TABLE DES MATIÈRES


TABLE DES MATIÈRES

TABLE DES MATIÈRES.	18	ISOLATION DES CIRCUITS ESSENTIELS	24
DIRECTIVES DE SÉCURITÉ IMPORTANTES	19	Interconnexions du câblage d'alimentation.	25-26
INTRODUCTION	20	Boîte d'entrée.	27-28
Pour le propriétaire résidentiel	20	Cordons de raccordement.	28
Au détaillant/à l'entrepreneur procédant à l'installation	20	UTILISATION DU SYSTÈME	29
Orientation du propriétaire	21	Gestion des charges.	29
Responsabilités de l'installateur	21	SPÉCIFICATIONS	30
Description de l'équipement	21	Modèle 071014	30
Génératrices compatibles.	21	Modèle 071017	30
INSTALLATION	22	Si vous téléphonez au fabricant	30
Déballage	22	DÉPANNAGE	31
Vérification de la livraison	22	REMARQUES	32
Directives d'assemblage.	23	GARANTIE	33

CONSERVEZ CES DIRECTIVES

DIRECTIVES DE SÉCURITÉ IMPORTANTES

 Voici le symbole utilisé pour les avertissements de sécurité. Il est utilisé pour vous avertir des dangers possibles de blessure. Respectez tous les messages de sécurité qui suivent ce symbole pour éviter des blessures ou des décès.

Le symbole d'avertissement de sécurité () est utilisé avec un mot signal (DANGER, MISE EN GARDE, AVERTISSEMENT), une image et/ou un message de sécurité vous avertissant des risques. Le mot **DANGER** indique un danger qui, s'il n'est pas évité, **causera** la mort ou des blessures graves. Le mot **AVERTISSEMENT** indique un risque qui, s'il n'est pas évité, **pourrait** causer la mort ou des blessures graves. Le terme **MISE EN GARDE** indique un risque qui, s'il n'est pas évité, **pourrait** causer des blessures mineures ou modérées. Le terme **REMARQUE**, utilisé **sans** pictogramme de sécurité, indique une situation qui pourrait causer des dommages à l'équipement. Suivez les directives des messages de sécurité pour éviter ou réduire les risques de blessures ou de décès.

Le fabricant ne peut anticiper toutes les circonstances potentielles pouvant comporter un danger. Par conséquent, les avertissements contenus dans le présent manuel, ainsi que les plaques et les décalques apposés sur l'unité n'englobent pas toutes les possibilités. Si vous utilisez une procédure, une méthode de travail ou une technique d'opération non spécifiquement recommandée par le fabricant, vous devez vous assurer qu'elle ne compromet pas votre sécurité ni celle des autres. Vous devez également vous assurer que la procédure, la méthode de travail ou la technique d'opération que vous choisissez ne rende pas le commutateur de transfert dangereux.

AVERTISSEMENT



Tout contact avec les pièces sous tension peut causer un choc électrique ou des brûlures.

- Un électricien autorisé doit effectuer l'installation du commutateur de transfert.
- Conformez-vous aux normes, réglementations et aux codes fédéraux, provinciaux et locaux applicables.

AVERTISSEMENT



Si le commutateur n'est pas mis à la terre comme il se doit, il y a risque d'électrocution.

- NE PAS toucher aux fils dénudés ou aux prises.
- NE PAS utiliser le commutateur de transfert si le câblage est usé, effiloché, dénudé ou autrement endommagé.
- NE PAS manipuler les fils électriques les pieds dans l'eau ou les pieds nus ou lorsque les mains ou les pieds sont mouillés.
- Si vous devez travailler autour d'une unité alors qu'elle est en marche, placez-vous sur une surface sèche isolée afin de réduire les risques de choc électrique.
- NE PAS laisser les personnes non qualifiées ou les enfants opérer ou entretenir le commutateur de transfert.
- En cas d'accident causé par un choc électrique, procédez immédiatement à la mise hors tension de l'alimentation électrique et communiquez avec les autorités locales. **Évitez tout contact direct avec la victime.**

AVERTISSEMENT



Le commutateur de transfert contient une tension dangereuse qui peut causer des blessures personnelles ou la mort.

- En dépit de la conception sécuritaire du commutateur, le fait d'opérer l'équipement de façon imprudente, de ne pas l'entretenir ou d'être négligent peut causer des blessures et la mort.

REMARQUE

Le traitement inadéquat du commutateur de transfert peut l'endommager et réduire sa durée de vie utile.

- Utilisez le commutateur de transfert seulement pour les utilisations pour lesquelles il est conçu.
- Si vous avez des questions à propos de l'utilisation prévue de cet appareil, consultez votre détaillant ou communiquez avec Briggs and Stratton Power Products.
- Ne pas exposer le commutateur de transfert à l'humidité excessive, à la poussière, aux saletés ou aux vapeurs corrosives.
- Demeurez alerte en tout temps lorsque vous travaillez sur cet équipement. Ne travaillez jamais sur l'équipement si vous êtes fatigué physiquement ou mentalement.
- Si les appareils branchés surchauffent, éteignez-les et mettez leur disjoncteur ou fusible hors tension.

INTRODUCTION

Nous vous remercions d'avoir acheté le commutateur neutre de transfert manuel de Briggs & Stratton. Ce commutateur est conçu pour être utilisé avec des génératrices avec ou sans disjoncteurs de fuite de terre (GFCI). Le commutateur débranche le circuit neutre approprié de sorte que le disjoncteur de fuite de terre puisse fonctionner correctement.

Ce commutateur est conçu pour être utilisé avec une génératrice résidentielle auxiliaire fournissant une source d'électricité de rechange et pouvant alimenter une fournaise au gaz, les systèmes de réfrigération et les systèmes de communication qui, lorsqu'ils sont arrêtés durant une panne d'électricité, peuvent causer de l'inconfort ou d'autres désagréments. Ce produit ne se qualifie PAS comme génératrice d'urgence tel que défini par la NFPA 70 (NEC).

La société Briggs & Stratton Power Products a tout fait pour fournir un produit dont l'installation soit sécuritaire, facile et économique. Comme chaque installation est unique, il est impossible de connaître et de recommander une marche à suivre présentant toutes les méthodes et consignes d'installation possibles. Briggs et Stratton ignore également les dangers et/ou les résultats potentiels de chaque méthode ou procédure. C'est pourquoi

Seulement un électricien autorisé devrait installer ce commutateur. Toute installation doit être conforme à tous les codes, normes et à la réglementation applicables (fédéraux, provinciaux et locaux).

Votre commutateur de transfert BSPP est livré avec le présent « Guide d'installation et d'utilisation ». Ce guide est un document important; conservez-le après avoir complété l'installation.

Tout a été fait pour s'assurer que les renseignements contenus dans le présent guide soient exacts et à jour. Toutefois, le fabricant se réserve le droit de changer, de modifier ou encore d'améliorer le système en tout temps, et ce, sans préavis.

Pour le propriétaire résidentiel

Afin de vous aider à faire des choix avisés et à communiquer efficacement avec l'entrepreneur qui procédera à l'installation,

Veillez lire avec soin la section « Conseils au propriétaire » dans le présent guide avant de contracter un entrepreneur ou de commencer l'installation de votre commutateur de transfert.

Pour assurer une installation adéquate, veuillez contacter le magasin qui vous a vendu votre commutateur de transfert Briggs & Stratton, votre détaillant ou votre fournisseur de services d'électricité.

Si l'installation du commutateur n'est pas effectuée par un professionnel en électricité certifié, sa garantie sera ANNULÉE.

Au détaillant/à l'entrepreneur procédant à l'installation

- Vérifiez les codes fédéraux, provinciaux et locaux si vous avez des questions concernant l'installation.
- Pour de plus amples renseignements sur le commutateur de transfert, téléphonez au 1-800-743-4115, de 8h à 17h heure du Centre.

Orientation du propriétaire

Les illustrations de ce guide se rapportent à des cas typiques et ont pour but de vous familiariser avec les différentes options à votre disposition pour l'installation de votre commutateur de transfert.

Au moment de négocier avec un installateur professionnel, il faudra tenir compte des facteurs suivants : les codes de sécurité locaux, l'apparence et les distances. Plus la distance entre l'appareil et le service d'électricité existant est grande, plus on aura besoin de compenser par les matériaux de câblage. Cette contrainte est nécessaire pour vous conformer aux codes locaux et pour surmonter les chutes de tension électrique.

Les facteurs mentionnés ci-dessus auront une incidence directe sur le prix total de l'installation de votre commutateur de transfert.

REMARQUE : Votre installateur est tenu de vérifier les codes locaux ET d'obtenir les permis requis avant de procéder à l'installation du système.

Vous devez lire et suivre les instructions indiquées dans ce manuel.

Responsabilités de l'installateur

- Vous devez lire et respecter les règles de sécurité.
- Vous devez lire et suivre les instructions indiquées dans ce manuel.
- Vérifiez les normes, réglementations et codes fédéraux, provinciaux et locaux.
- S'assurer que la génératrice n'est pas surchargée par des charges sélectionnées.

Description de l'équipement

Ce commutateur de transfert est conçu pour traiter des charges électriques normales dans une installation résidentielle. La charge est branchée à l'alimentation de service (normal) ou à l'alimentation de secours résidentielle (génératrice).

Le commutateur manuel est équipé de deux disjoncteurs principaux (« GENERATOR SUPPLY - ALIMENTATION DE GÉNÉRATRICE » et « UTILITY SUPPLY - ALIMENTATION DE SERVICE ») et d'un contacteur d'interdiction mécanique. Le disjoncteur « GENERATOR SUPPLY - ALIMENTATION DE GÉNÉRATRICE » achemine le courant de la génératrice aux dispositifs de charges connectés au commutateur manuel. Le disjoncteur « UTILITY SUPPLY - ALIMENTATION DE SERVICE » achemine l'électricité de service par le panneau de distribution aux dispositifs de charges connectés au commutateur manuel. Ces deux circuits sont munis d'un neutre isolé qui doit être connecté à l'intérieur du commutateur de transfert.

Le contacteur d'interdiction mécanique permet de choisir le disjoncteur de l'alimentation de la génératrice « GENERATOR SUPPLY ALIMENTATION DE GÉNÉRATRICE » ou de l'électricité de service « UTILITY SUPPLY - ALIMENTATION DE SERVICE » pour alimenter les charges résidentielles. Ce commutateur neutre de transfert manuel ne permet pas à l'alimentation de génératrice et à l'alimentation de service d'être connectées à une charge en même temps.

Si l'alimentation de service est rétablie pendant que la génératrice est en usage, cela n'aura aucun effet sur les composantes de la génératrice ou du commutateur. Quand l'alimentation de service est rétablie, suivez les directives de la section « Utilisation du système ».

Génératrices compatibles

Utilisez seulement une génératrice munie d'une prise NEMA L14-20R ou NEMA L14-30R, comme illustré aux figures 21 et 22.

REMARQUE

- Ne branchez JAMAIS le commutateur de transfert à d'autres prises que celles recommandées. Cela pourrait endommager les appareils qui y sont branchés.

INSTALLATION

Déballage

Vérification de la livraison

Enlevez les composants du commutateur, illustrés à la figure 13, de la boîte d'expédition.

Le commutateur de transfert est prêt à être installé. Examinez le commutateur ainsi que ses pièces pour détecter tout dommage subi durant l'expédition.

La boîte d'entrée est prête à recevoir le câblage. Vérifiez-le, ainsi que le cordon de raccordement et les fiches de contact pour tout dommage. L'installateur choisira et fixera la fiche de contact appropriée à la prise de la génératrice.

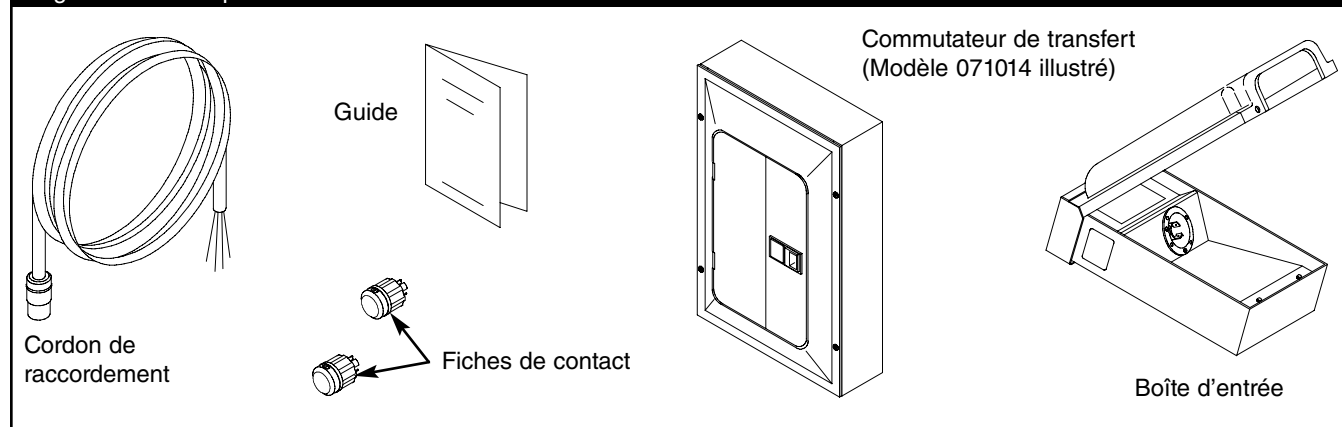
IMPORTANT : Au moment de la livraison, si vous remarquez des dommages ou des pièces manquantes, demandez au livreur de noter tous les dommages sur la facture de fret et d'apposer sa signature dans l'espace réservé à cet effet. Si vous remarquez des dommages ou des pièces manquantes après la livraison, communiquez avec le transporteur pour connaître les procédures de réclamation. Les pièces endommagées pendant la livraison ne sont pas garanties.

Articles non inclus avec le commutateur de transfert :

Les articles suivants sont requis pour l'installation du système, mais ne sont pas inclus et doivent être fournis par l'installateur.

1. Outils nécessaires à l'installation
2. Pièces d'ancrage et vis pour l'assemblage des éléments et du conduit du commutateur de transfert.
3. Conduit, raccords, coinces câblés et fil de cuivre isolé pour le branchement du commutateur de transfert à la boîte d'entrée externe et au panneau de distribution principal.

Figure 13 — Composantes du commutateur de transfert



INSTALLATION

Directives d'assemblage

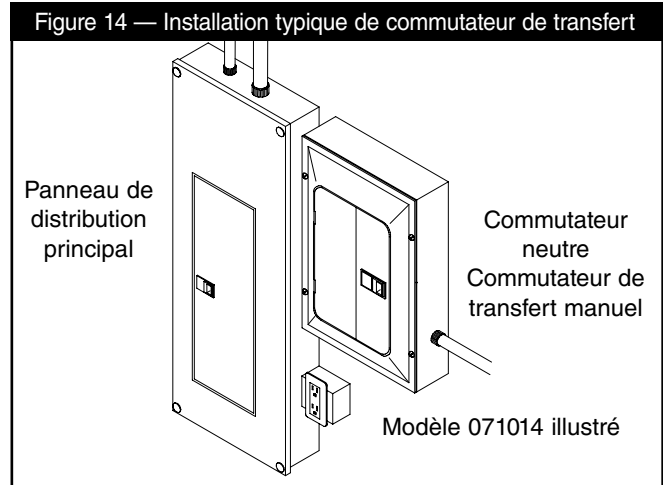
Le modèle 071014 du Commutateur neutre de transfert manuel est contenu dans un boîtier de type NEMA 1, conçu pour une utilisation à l'intérieur SEULEMENT.

Le modèle 071017 du Commutateur de transfert manuel est contenu dans un boîtier de type NEMA 3R pouvant être utilisé tant à l'intérieur qu'à l'extérieur.

Consignes d'installation du Commutateur neutre de transfert manuel :

- Il faut installer le Commutateur neutre de transfert manuel de modèle 071017 avec de la quincaillerie de raccordement de conduit homologuée NEMA 3R ou plus.
- Installation du commutateur sur une structure portante ferme et robuste.
- Assurez-vous que le boîtier est au niveau et d'aplomb. Ceci peut être accompli en insérant des rondelles entre le boîtier du commutateur et la surface de fixation.
- N'installez JAMAIS le commutateur dans un endroit où une substance corrosive pourrait dégoutter sur lui.
- Protégez le commutateur en tout temps contre l'humidité, les poussières, les saletés, les peluches, les résidus de construction et les vapeurs corrosives.

La figure 14 illustre une installation typique du Commutateur neutre de transfert manuel. Discutez des suggestions/changements de disposition avec le propriétaire avant d'entamer le processus d'installation du système.



INSTALLATION

ISOLATION DES CIRCUITS ESSENTIELS

Les charges électriques essentielles sont les charges qui seront alimentées par le groupe électrogène. Les charges essentielles sont regroupées et branchées au boîtier du commutateur de transfert.



À L'INSTALLATEUR : Consultez le propriétaire du groupe électrogène afin d'établir sa sélection des circuits essentiels, telle que décrite dans le manuel d'utilisation.

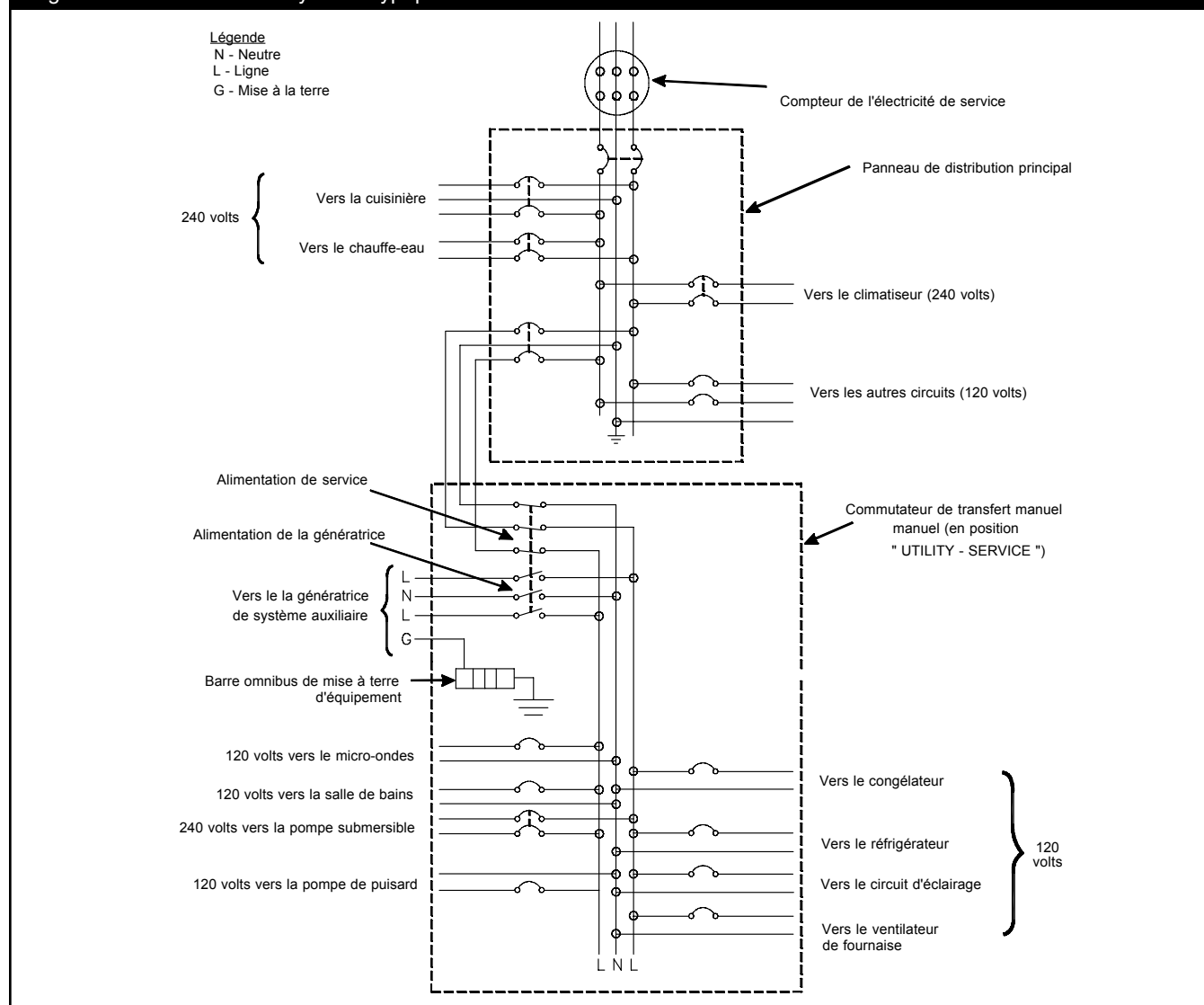
NE PAS surcharger la génératrice, tel que décrit dans son manuel d'utilisation.

Le Commutateur neutre de transfert manuel est branché du côté du circuit de branchement dans le panneau de distribution principal.

Tout le câblage doit être conforme aux codes fédéraux, provinciaux et locaux.

L'illustration à la Figure 15 montre le groupe électrogène lorsque l'édifice est alimenté en courant monophasé de 120/240 volts.

Figure 15 — Schéma d'un système typique avec les circuits essentiels



Interconnexions du câblage d'alimentation

Tout le câblage doit être de la bonne dimension, soutenu convenablement et protégé par un conduit. Assurez-vous que le courant est débranché pendant l'installation.

Branchez la boîte d'entrée au panneau de distribution principal et au commutateur de transfert comme illustré à la figure 16 (page suivante).

1. Branchez la ligne d'alimentation de service à partir du disjoncteur bipolaire 50 A du circuit dans le panneau de distribution principal au disjoncteur 50 A marqué « UTILITY SUPPLY - ALIMENTATION DE SERVICE » dans le commutateur de transfert.
2. Branchez le neutre du panneau de distribution principal au neutre du disjoncteur 50 A marqué « UTILITY SUPPLY - ALIMENTATION DE SERVICE » dans le commutateur de transfert. NE PAS brancher à la barre omnibus neutre ni de mise à la terre du commutateur.
3. Branchez la mise à la terre d'équipement du panneau de distribution principal à la barre omnibus de mise à la terre d'équipement du commutateur de transfert.
4. Branchez la ligne d'alimentation de la génératrice à partir de la prise dans la boîte d'entrée jusqu'au disjoncteur 30 A marqué « GENERATOR SUPPLY - ALIMENTATION DE GÉNÉRATRICE » dans le commutateur de transfert.
5. Branchez le neutre de la génératrice à partir de la prise dans la boîte d'entrée jusqu'au disjoncteur neutre 30 A marqué « GENERATOR SUPPLY » dans le commutateur de transfert. NE PAS brancher à la barre omnibus neutre ni de mise à la terre du commutateur.
6. Branchez la mise à la terre d'équipement de la génératrice à partir de la prise dans la boîte d'entrée jusqu'à la barre omnibus de mise à la terre du commutateur.

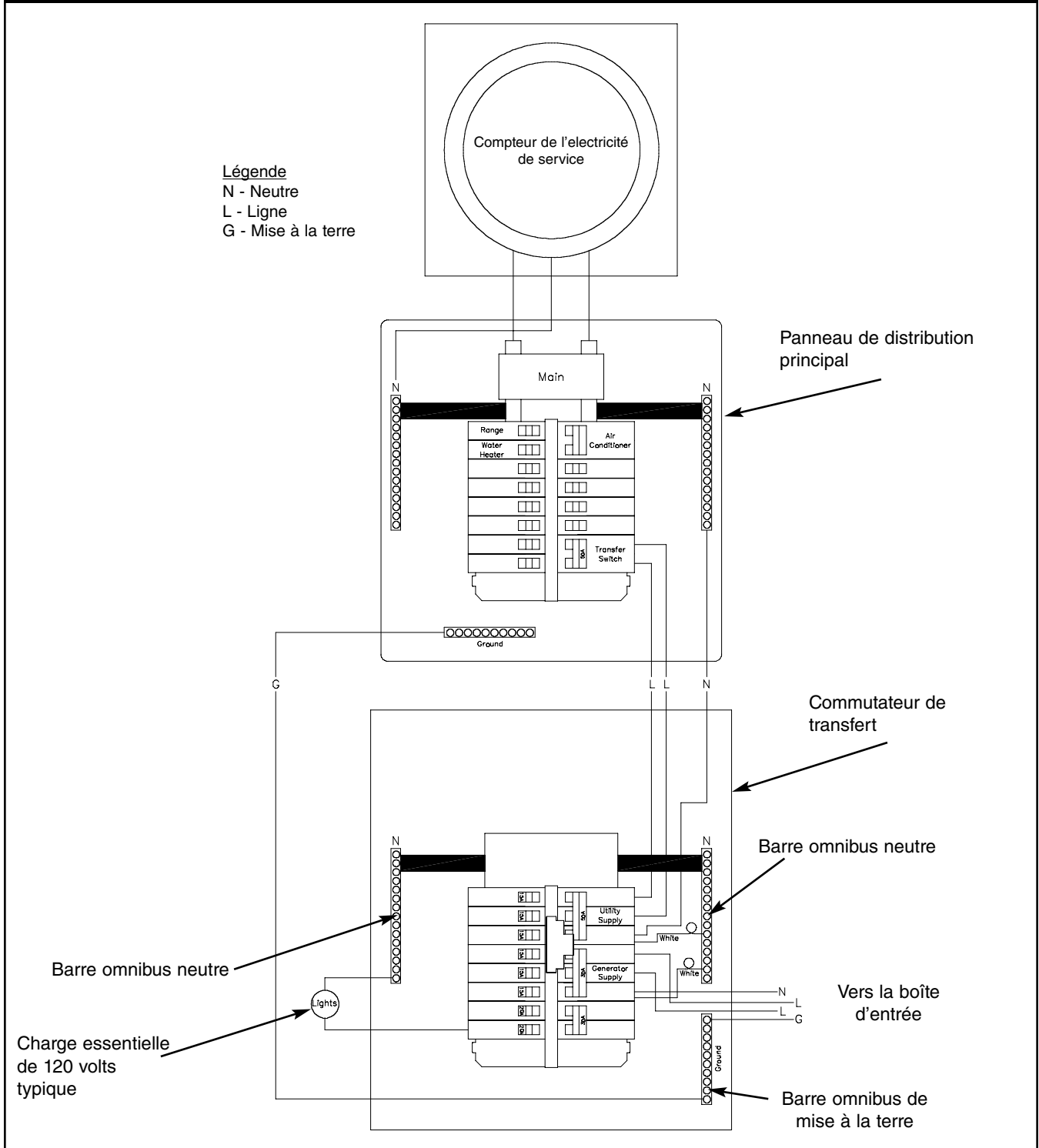
IMPORTANT : Le branchement de la barre omnibus neutre du commutateur de transfert à la terre va déclencher le disjoncteur de fuite de terre de la génératrice. NE BRANCHEZ PAS la barre omnibus neutre du commutateur de transfert à la terre.

7. Branchez tous les disjoncteurs du circuit de branchement aux circuits essentiels pertinents, ce qui inclut les conducteurs d'alimentation et de circuits neutres.
8. Serrez au couple approprié tous les raccords de fils et les attaches.

REMARQUE : Les disjoncteurs de branchement de l'alimentation de service et de la génératrice du commutateur de transfert sont conçus pour débrancher les circuits neutres spécifiés pendant l'utilisation. Cette caractéristique permet l'utilisation des dispositifs de disjoncteurs de fuite de terre sur la génératrice, lorsqu'ils sont installés correctement.

INSTALLATION

Figure 16 — Schéma d'une installation typique du commutateur de transfert



INSTALLATION

Boîte d'entrée

L'installation de la boîte d'entrée fournie avec ce système doit être strictement conforme à tous les codes fédéraux, provinciaux et locaux applicables.

1. Localisez et fixez la boîte d'entrée à un mur extérieur, le plus près possible du commutateur de transfert. Veillez à choisir un emplacement qui n'obstrue pas les prises d'air des conduits d'aération de la maison.

Une installation complétée typique de commutateur de transfert est illustrée à la figure 17.

2. Enlevez le panneau intérieur de la boîte d'entrée. Fixez la boîte d'entrée à un mur extérieur (Figure 18).
3. Faites passer un conduit de dimension appropriée de la boîte d'entrée jusqu'au commutateur de transfert. Fixez toutes les boîtes, les conduits et les raccords.

Figure 18 — Installation de la boîte d'entrée

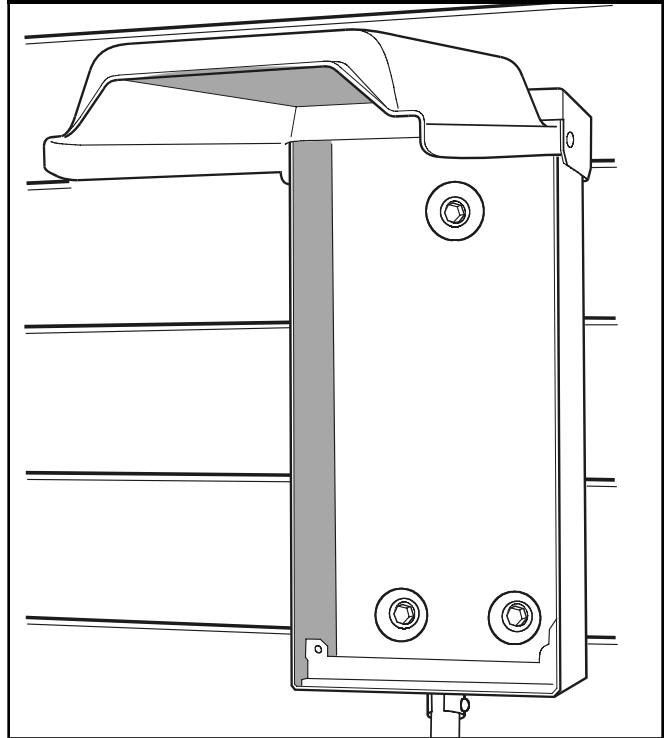
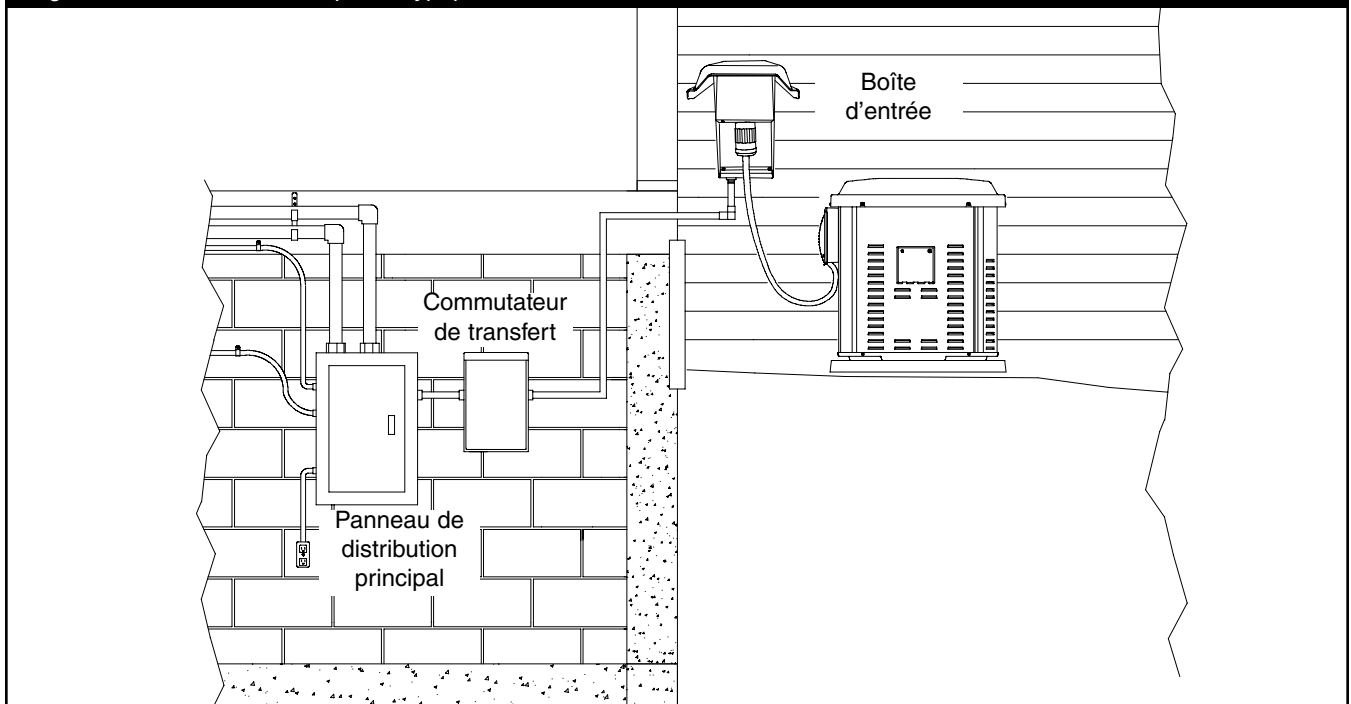


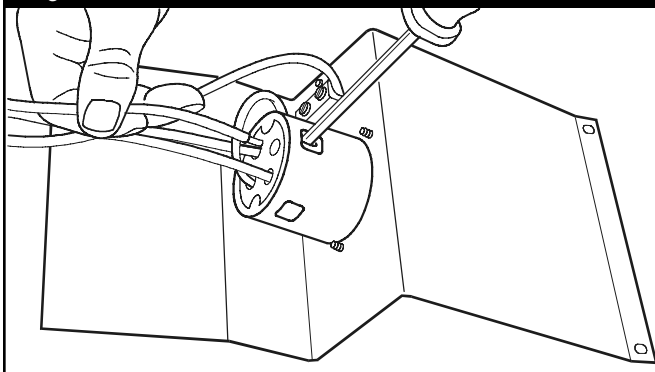
Figure 17 — Installation complétée typique de commutateur de transfert



INSTALLATION

4. Tel qu'illustré à la figure 19, coupez, dénudez et branchez chaque fil à son terminal correspondant sur la prise verrouillable du panneau intérieur de la boîte d'entrée. Référez-vous au schéma apposé à l'intérieur de la boîte d'entrée pour effectuer les branchements appropriés. Lorsque tout est branché, réinstallez le panneau intérieur de la boîte d'entrée.

Figure 19 — Raccords de la boîte d'entrée



Cordon de raccordement

Choisissez une des deux fiches de contact 120/240 volts (fournies avec le commutateur) dont la forme correspond à celle de la génératrice. Référez-vous à la figure 20 et au schéma de la figure 21 ou 22, selon le connecteur utilisé, pour fixer correctement la fiche au bout en queue de cochon du cordon de raccordement.

Figure 20 — Raccord de la fiche

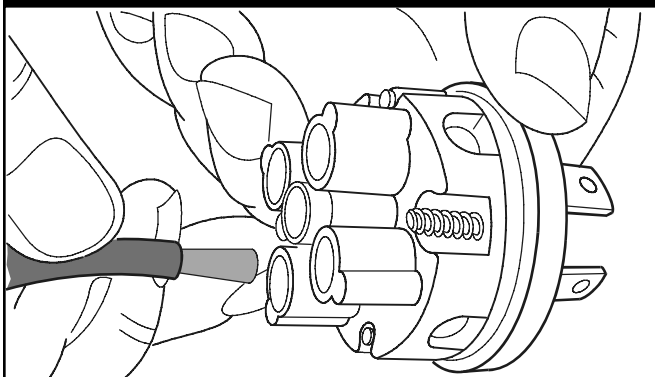


Figure 21 — Connecteur de cordon de 20 A

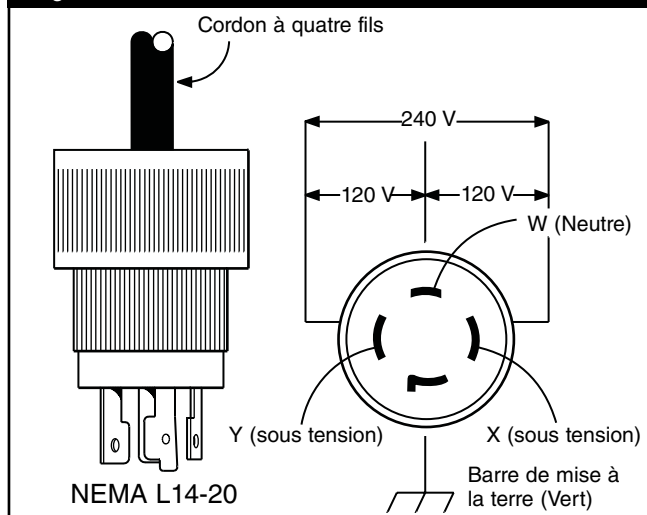
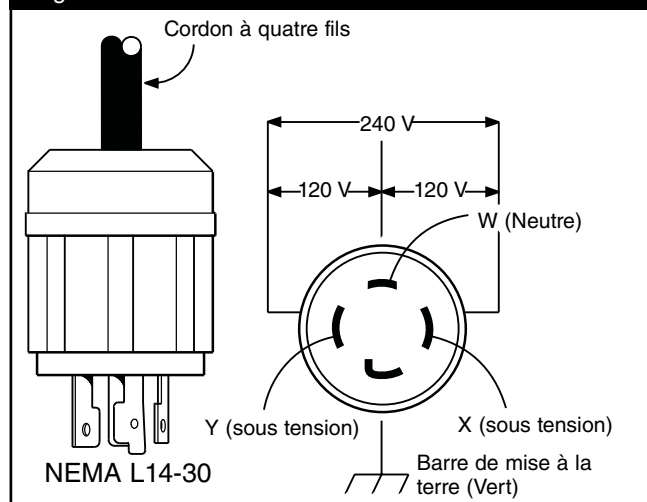


Figure 22 — Connecteur de cordon de 30 A



UTILISATION DU SYSTÈME

Gestion des charges

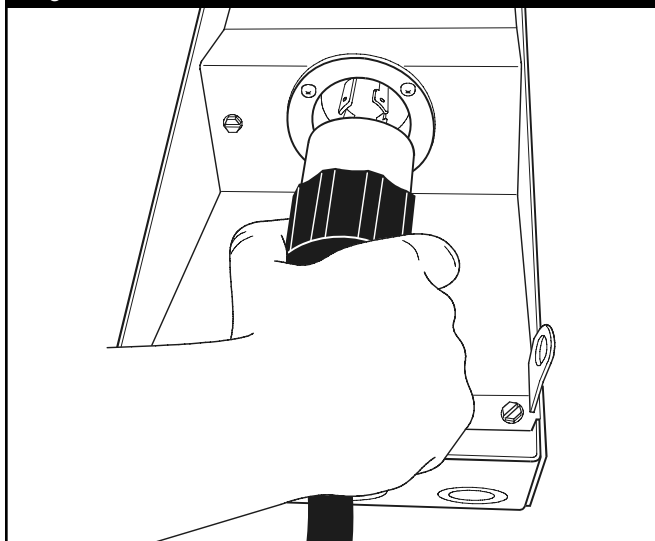
Le nombre de circuits pouvant être alimentés simultanément lors d'une panne électrique dépend de la capacité de puissance nominale de la génératrice. **La plupart des génératrices de systèmes auxiliaires n'ont pas la capacité d'alimenter simultanément les charges de tous les disjoncteurs.**

Réviser le plan de gestion des charges conçu avec l'installateur. Pour que les appareils requis puissent fonctionner grâce à l'alimentation par génératrice, il peut s'avérer nécessaire de mettre certaines charges sous tension ou hors tension.

Pour passer de l'alimentation de service à l'alimentation de la génératrice :

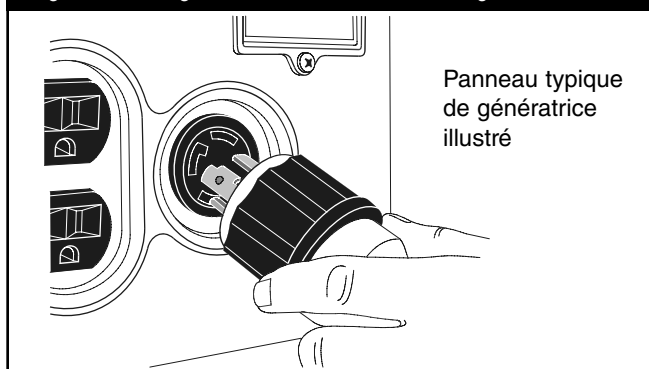
1. Tel qu'illustré à la Figure 23, alignez la douille femelle du cordon de raccordement aux broches mâles de la prise de la boîte d'entrée. Insérez le connecteur du cordon et tournez dans le sens horaire pour verrouiller.

Figure 23 — Raccords de la boîte d'entrée



2. Tel qu'illustré à la Figure 24, alignez les broches mâles situées à l'autre extrémité du cordon aux terminaux femelles de la prise de 240 volts de la génératrice. Insérez le connecteur et tournez dans le sens horaire pour verrouiller.

Figure 24 — Alignement des connecteurs à la génératrice



3. Assurez-vous que la génératrice est à l'extérieur, tel que décrit dans le manuel d'utilisation de la génératrice.
4. Mettez la génératrice en marche selon les instructions qui figurent dans son manuel d'utilisation.
5. Placez le disjoncteur marqué « UTILITY SUPPLY - ALIMENTATION DE SERVICE » à la position « OFF » (hors tension).
6. Mettez hors tension tous les disjoncteurs du circuit de branchement du commutateur de transfert.
7. Faites glisser le contacteur d'interdiction mécanique dans le commutateur de transfert et placez le disjoncteur marqué « GENERATOR SUPPLY - ALIMENTATION DE GÉNÉRATRICE » à la position « ON » (sous tension).
8. Mettez sous tension les disjoncteurs du circuit de branchement du commutateur un à la fois en suivant le plan de gestion des charges conçu avec l'aide de votre installateur. NE PAS surcharger la génératrice, tel que décrit dans son manuel d'utilisation.

Pour passer de l'alimentation de la génératrice à l'alimentation de service :

1. Placez le disjoncteur marqué « GENERATOR SUPPLY - ALIMENTATION DE GÉNÉRATRICE » à la position « OFF » (hors tension).
2. Mettez hors tension tous les disjoncteurs du circuit de branchement du commutateur de transfert.
3. Faites glisser le contacteur d'interdiction mécanique dans le commutateur et placez le disjoncteur marqué « UTILITY SUPPLY - ALIMENTATION DE SERVICE » à la position « ON » (sous tension).
4. Mettez sous tension les disjoncteurs du circuit de branchement un à la fois.
5. Arrêtez la génératrice selon les instructions qui figurent dans son manuel d'utilisation.
6. Débranchez le cordon de la génératrice et de la boîte d'entrée.

IMPORTANT : Débranchez TOUJOURS le cordon lorsqu'il n'est pas utilisé et gardez-le à l'intérieur.

SPÉCIFICATIONS

Commutateur de transfert homologué UL® 1008

Modèle 071014

Boîtier	NEMA 1
Valeur nominale du disjoncteur de l'alimentation de service50 A
Valeur nominale du disjoncteur de l'alimentation de la génératrice30 A
Tension nominale C.A.250 volts
Pôles2
Intensité de défaillance nominale10 000 ampères symétriques RMS Ampères
Poids12,2 kg (27 lb)

Commutateur de transfert homologué UL® 1008

Modèle 071017

Boîtier	NEMA 3R
Valeur nominale du disjoncteur de l'alimentation de service50 A
Valeur nominale du disjoncteur de l'alimentation de la génératrice30 A
Tension nominale C.A.250 volts
Pôles2
Intensité de défaillance nominale10 000 ampères symétriques RMS Ampères
Poids15,4 kg (34 lb)

Si vous téléphonez au fabricant

Avant de contacter Briggs and Stratton Power Products au sujet de l'entretien ou de la réparation de ce commutateur de transfert, veuillez noter le numéro de modèle indiqué sur le décalque apposé sur l'unité ou à l'intérieur de celle-ci.

Pour communiquer avec Briggs and Stratton Power Products, appelez au 1-800-743-4115 entre 8h et 17h heure du Centre.

DÉPANNAGE

Problème	Cause	Solution
La génératrice fonctionne, mais il n'y a aucune sortie de C.A.	<ol style="list-style-type: none"> 1. Disjoncteur ouvert sur la génératrice. 2. Mauvais branchement ou cordon défectueux. 3. L'appareil branché est défectueux. 4. Défaillance dans la génératrice. 	<ol style="list-style-type: none"> 1. Réarmez le disjoncteur. 2. Vérifiez et réparez. 3. Essayez avec un autre appareil ou une charge en bonne condition. 4. Contactez un centre de service autorisé.
Le moteur de la génératrice tourne bien mais connaît des ratés lorsque des charges sont branchées.	<ol style="list-style-type: none"> 1. Court-circuit dans une des charges branchées. 2. Surcharge de la génératrice. 	<ol style="list-style-type: none"> 1. Débranchez la charge électrique ayant un court-circuit. 2. Référez-vous à la section sur la gestion des charges à la page 29.
Les appareils ne fonctionnent plus lorsque l'alimentation de service est rétablie.	<ol style="list-style-type: none"> 1. Le commutateur de transfert est en position « GENERATOR - GÉNÉRATRICE ». 2. Le disjoncteur du panneau de distribution principal est ouvert. 	<ol style="list-style-type: none"> 1. Mettre le commutateur en position « UTILITY - SERVICE ». 2. Réarmez le disjoncteur de panneau de distribution principal.
Le disjoncteur de fuite de terre de la génératrice se déclenche.	<ol style="list-style-type: none"> 1. Fuite de terre dans une des charges branchées. 2. Disjoncteur de fuite de terre défectueux. 3. Neutre raccordé à la terre dans le commutateur de transfert. 	<ol style="list-style-type: none"> 1. Débranchez la charge défaillante. 2. Contactez un centre de service autorisé. 3. Contactez un centre de service autorisé.

REMARQUES

GARANTIE DU PROPRIÉTAIRE DU COMMUTEUR DE TRANSFERT BRIGGS & STRATTON POWER PRODUCTS GROUP, LLC

Prise d'effet au 1^{er} Novembre 2005, annule et remplace toutes les garanties précédentes et les garanties antérieures au 1^{er} Novembre 2005

GARANTIE LIMITÉE

Briggs & Stratton Power Products Group, LLC réparera ou remplacera, sans frais, toutes pièces d'équipement défectueuses comportant un vice de matériau ou un défaut de fabrication ou les deux. En vertu de la présente garantie, les frais de transport des produits soumis pour réparation ou remplacement sont à la charge de l'acheteur. La présente garantie sera en vigueur durant les périodes stipulées ci-dessous et est assujettie aux conditions stipulées ci-dessous. Pour obtenir des services en vertu de la garantie, veuillez consulter notre Outil de recherche d'un Service après-vente agréé au <http://www.BRIGGSandSTRATTON.com> afin de trouver un distributeur de service après-vente agréé dans votre région.

IL N'EXISTE AUCUNE AUTRE GARANTIE EXPRESSE. LES GARANTIES IMPLICITES, INCLUANT CELLES DE QUALITÉ MARCHANDE ET D'ADAPTATION À UN USAGE PARTICULIER, SONT LIMITÉES À UNE PÉRIODE D'UN AN À PARTIR DE LA DATE D'ACHAT OU JUSQU'À LA LIMITE PERMISE PAR LA LOI, TOUTE GARANTIE IMPLICITE EST EXCLUE. LA RESPONSABILITÉ POUR DOMMAGES ACCESSOIRES OU INDIRECTS EST EXCLUE DANS LA MESURE OÙ UNE TELLE EXCLUSION EST PERMISE PAR LA LOI. Certains États/provinces ou pays n'autorisent aucune restriction sur la durée d'une garantie implicite, et certains États/provinces ou pays n'autorisent pas l'exclusion ou la limitation des dommages consécutifs ou indirects. Par conséquent, les restrictions et exclusions décrites ci-dessus pourraient ne pas s'appliquer dans votre cas. La présente garantie vous accorde certains droits légaux spécifiques et vous pourriez également en avoir d'autres, qui peuvent varier d'un État ou d'une province à l'autre et d'un pays à l'autre.

PÉRIODE DE GARANTIE

Usage par un consommateur	3 ans
Usage à des fins commerciales	aucune

La période de garantie débute à la date d'achat par le premier acheteur au détail ou par le premier utilisateur commercial final, et se prolonge pour la durée stipulée dans le tableau ci-dessus. "Usage par un consommateur" signifie utilisation domestique personnelle dans une résidence, par l'acheteur au détail. "Usage à des fins commerciales" signifie toute autre utilisation, y compris à des fins commerciales, générant de revenus ou de location. Aux fins de la présente garantie, dès qu'un équipement a été utilisé commercialement une fois, il est par la suite considéré comme étant d'usage à des fins commerciales. L'équipement utilisé pour l'alimentation principale n'est pas couvert par la présente garantie.

POUR EXERCER LA GARANTIE SUR TOUT PRODUIT FABRIQUÉ PAR BRIGGS & STRATTON, IL N'EST PAS NÉCESSAIRE DE L'ENREGISTRER. CONSERVEZ LE REÇU COMME PREUVE D'ACHAT. SI, LORS D'UNE RÉCLAMATION DE GARANTIE, VOUS NE POUVEZ PROUVER LA DATE INITIALE DE L'ACHAT, NOUS UTILISERONS LA DATE DE FABRICATION DU PRODUIT COMME DATE DE RÉFÉRENCE POUR DÉTERMINER LA PÉRIODE DE GARANTIE.

À PROPOS DE LA GARANTIE DE L'ÉQUIPEMENT

Nous acceptons de faire effectuer les réparations couvertes par la garantie et tenons à nous excuser pour tout inconvénient subi. Tout agent d'un service après-vente agréé peut exécuter les réparations couvertes par la garantie. La plupart des réparations couvertes par la garantie sont traitées automatiquement; cependant, il arrive parfois que les demandes de service en vertu de la garantie soient non fondées. Par exemple, la garantie ne couvre pas les dommages causés à l'équipement par une utilisation abusive, par un manque d'entretien périodique, durant l'expédition, la manutention ou l'entreposage, ou en raison d'une installation inadéquate. De même, la garantie sera annulée si la date de fabrication ou le numéro de série apposé à l'équipement a été enlevé ou si l'équipement a été changé ou modifié. Durant la période de garantie, le distributeur de service après-vente agréé réparera ou remplacera, à son gré, toute pièce qui, après examen, est trouvée défectueuse à la suite d'une utilisation et d'un entretien normaux. La présente garantie ne couvre pas les réparations et les équipements suivants:

- **Usure normale:** Comme tout autre dispositif mécanique, les groupes électrogènes d'extérieur nécessitent l'entretien périodique de certaines pièces pour fonctionner adéquatement. La présente garantie ne couvre pas les frais de réparation des pièces ou des équipements dont la durée de vie utile a été dépassée à la suite d'une utilisation normale.
- **Installation et entretien:** La présente garantie ne couvre pas les équipements ou les pièces qui ont fait l'objet d'une installation ou de modifications et de changements inadéquats ou non autorisés, d'une mauvaise utilisation, de négligence, d'un accident, d'une surcharge, d'entretien inadéquat, de réparation ou d'entreposage qui, selon nous, auraient nui à la performance et à la fiabilité du produit. De plus, la garantie ne couvre pas l'entretien normal tel que le réglage, le nettoyage et remplacement de fusible.
- **Exclusions supplémentaires:** La présente garantie exclut les pièces qui s'usent ou tout dommage ou tout mauvais fonctionnement résultant d'un accident, d'une utilisation abusive, de modifications, de changements ou d'un entretien inadéquat du système. La garantie du produit ne couvre pas les pièces accessoires. Cette garantie exclut toute défaillance due à une catastrophe naturelle ou à toute autre force majeure hors du contrôle du fabricant. Est aussi exclu tout équipement usé, remis à neuf ou de démonstration.

BRIGGS & STRATTON POWER PRODUCTS GROUP, LLC
JEFFERSON, WI, USA

ÍNDICE

ÍNDICE	34	AISLAMIENTO DE CIRCUITOS ESENCIALES	40
INSTRUCCIONES IMPORTANTES		Interconexión de los cables	
DE SEGURIDAD	35	de alimentación	41-42
INTRODUCCIÓN	36	Cuadro de entrada	43-44
Para el usuario doméstico	36	Conexión del juego de cables	44
Para el distribuidor/técnico instalador	36	FUNCIONAMIENTO DEL SISTEMA	45
Orientación al propietario	37	Gestión de cargas	45
Responsabilidades del instalador	37	ESPECIFICACIONES	46
Descripción del equipo	37	Modelo 071014	46
Compatibilidad del generador	37	Modelo 071017	46
INSTALACIÓN	38	Para llamar a la fábrica	46
Desembalaje	38	RESOLUCIÓN DE PROBLEMAS	47
Inspección en el momento de la entrega	38	GARANTÍA	48
Directrices de montaje	39		


INSTRUCCIONES IMPORTANTES DE SEGURIDAD

CONSERVE ESTAS INSTRUCCIONES

INSTRUCCIONES IMPORTANTES DE SEGURIDAD



Éste es el símbolo de alerta de seguridad. Sirve para advertir al usuario de un posible riesgo para su integridad física. Siga todos los mensajes de seguridad que figuren después de este símbolo para evitar lesiones o incluso la muerte.

El símbolo de alerta de seguridad () se utiliza con una palabra de señalización (PELIGRO, PRECAUCIÓN, ADVERTENCIA), una imagen y/o un mensaje de seguridad para advertir al usuario de un riesgo. **PELIGRO** indica un riesgo que, de no evitarse, *provocará* la muerte o lesiones de gravedad. **ADVERTENCIA** indica un riesgo que, de no evitarse, *puede provocar* la muerte o lesiones de gravedad. **PRECAUCIÓN** indica un riesgo que, de no evitarse, *puede provocar* lesiones moderadas. Cuando se utiliza **sin** el símbolo de alerta, **AVISO** indica una situación que podría producir daños en el equipo. Siga en todo momento los mensajes de seguridad para evitar o reducir el riesgo de lesiones y de muerte.

El fabricante no puede prever toda circunstancia que conlleve un riesgo potencial. Por tanto, las advertencias de este manual, así como las etiquetas y calcomanías adheridas a la unidad, no incluyen todos los riesgos posibles. Si utiliza un procedimiento, método de trabajo o técnica de uso no recomendado específicamente por el fabricante, deberá asegurarse de que es seguro tanto para usted como para otras personas. También deberá asegurarse de que el procedimiento, método de trabajo o técnica de uso que elija no hace que el conector sea inseguro.



ADVERTENCIA



El contacto con componentes con corriente puede provocar electrocución y quemaduras.

- La instalación del conector debe ser llevada a cabo por un electricista cualificado.
- Cumpla toda la normativa vigente.



ADVERTENCIA



Una conexión a tierra defectuosa del conector puede provocar la electrocución.

- NO toque los cables pelados ni las tomas.
- NO utilice el conector con cables desgastados, deshilachados o deteriorados de cualquier otra forma.
- NO manipule el generador ni los cables eléctricos si se encuentra en una zona húmeda, está descalzo o tiene las manos o los pies mojados.
- Si tiene que trabajar junto a una unidad en funcionamiento, manténgase en una superficie aislada y seca para reducir el riesgo de descarga eléctrica.
- NO permita que personas no cualificadas o niños utilicen o reparen el conector.
- En caso de accidente provocado por una descarga eléctrica, desconecte inmediatamente el suministro de energía eléctrica y póngase en contacto con las autoridades locales. **Evite el contacto directo con la víctima.**



ADVERTENCIA



El conector contiene niveles de tensión peligrosos que pueden provocar lesiones o la muerte.

- A pesar de la seguridad del diseño del conector, si éste se utiliza con imprudencia, ignorando su mantenimiento o sin las debidas precauciones, se pueden producir lesiones o incluso la muerte.

AVISO

Un tratamiento inadecuado del conector puede estropearlo y acortar su vida útil.

- Utilice el conector sólo para los usos previstos.
- En caso de dudas sobre su uso, diríjase al distribuidor o a Briggs and Stratton Power Products.
- No exponga el conector a un exceso de humedad, polvo, suciedad o vapores corrosivos.
- Manténgase alerta en todo momento cuando utilice este equipo. **NUNCA** lo utilice ni manipule en condiciones de fatiga física o mental.
- Si se calientan excesivamente los dispositivos conectados, apáguelos y abra sus interruptores o quite sus fusibles.

INTRODUCCIÓN

Gracias por adquirir este conector manual con conexión de neutro Briggs & Stratton. El conector está diseñado para utilizarse con generadores con o sin interruptores de circuito de fallo de conexión a tierra (GFCI). El conector desconecta el circuito neutro correspondiente para permitir que el GFCI funcione correctamente.

El desconector se debe utilizar con un sistema doméstico de reserva opcional y proporciona una fuente alternativa de energía eléctrica con capacidad para alimentar cargas tales como calderas de gas y sistemas de refrigeración y de telecomunicaciones, que cuando dejan de funcionar a causa de una interrupción de la alimentación eléctrica de la red pueden producir incomodidades o problemas. Este producto no pertenece a la categoría de reserva de emergencia según la definición de la norma NFPA 70 (NEC).

Briggs and Stratton Power Products (BSPP) ha realizado el máximo esfuerzo para que la instalación resulte segura, sencilla y económica. Cada instalación es única, lo que hace imposible conocer y recomendar todos los procedimientos y métodos posibles para efectuarla. No conocemos todos los riesgos y/o resultados posibles de cada método o procedimiento. Por tanto,

Los conectores SÓLO deben ser instalados por electricistas cualificados. Las instalaciones deben cumplir estrictamente la totalidad de la normativa vigente.

Su conector BSPP se suministra con este "Manual de instalación y del operario" combinado. Se trata de un documento importante que el propietario debe conservar después de haber terminado la instalación.

Se ha realizado el máximo esfuerzo para reunir en este manual la información más precisa y actualizada. No obstante, el fabricante se reserva el derecho de modificar, alterar o mejorar de cualquier otra forma el sistema en cualquier momento y sin previo aviso.

Para el usuario doméstico

Para tomar decisiones bien fundadas y comunicarse eficazmente con el técnico instalador,

Lea y comprenda la sección Orientación al propietario de este manual antes de contratar o iniciar la instalación del conector.

Para solicitar la instalación, póngase en contacto con la tienda en la que adquirió el conector BSPP, con su distribuidor o con la compañía eléctrica.

La garantía del conector quedará ANULADA a menos que un electricista profesional con licencia instale el sistema.

Para el distribuidor/técnico instalador

- Consulte la normativa vigente en caso de dudas sobre la instalación.
- Si necesita más información sobre el conector, llame al 1-800-743-4115, de 8:00 a 17:00 CT.

INTRODUCCIÓN

Orientación al propietario

Las ilustraciones incluidas en el manual corresponden a circunstancias habituales y tienen por objeto familiarizarle con las opciones de instalación del conector.

La normativa local, la apariencia y las distancias son aspectos que deberán tenerse en cuenta al negociar la instalación con un profesional. Al aumentar la distancia desde el servicio eléctrico, se deberá prever una compensación en cables y otros materiales necesarios para cumplir la normativa local vigente y evitar caídas de tensión eléctrica.

Estos factores tendrán un efecto directo en el precio total de la instalación del conector.

NOTA: El instalador deberá comprobar la normativa local Y obtener los permisos correspondientes antes de instalar el sistema.

Lea y siga las instrucciones que se indican en este manual.

Responsabilidades del instalador

- Lea y respete las normas de seguridad.
- Lea y siga las instrucciones que se indican en este manual.
- Asegúrese de cumplir toda la normativa vigente.
- Asegúrese de que las cargas seleccionadas no sobrecargan el generador.

Descripción del equipo

El conector está destinado a operar las cargas eléctricas de una instalación residencial normal. La carga se conecta al suministro de servicio general (normal) o al suministro doméstico de reserva (generador).

El conector manual viene equipado con dos disyuntores (“SUMINISTRO DEL GENERADOR” y “SUMINISTRO DE SERVICIO GENERAL”) y un dispositivo de enclavamiento mecánico. El disyuntor correspondiente al “SUMINISTRO DEL GENERADOR” conecta la energía del generador a los dispositivos de carga conectados al conector manual. El disyuntor correspondiente al “SUMINISTRO DE SERVICIO GENERAL” conecta la energía del panel de distribución a las cargas conectadas al conector manual. Cada uno de estos disyuntores tiene un neutro aislado que se debe conectar en el interior del conector.

El dispositivo de enclavamiento mecánico permite que los disyuntores “SUMINISTRO DEL GENERADOR” y “SUMINISTRO DE SERVICIO GENERAL” se activen para así suministrar energía a las cargas domésticas seleccionadas. Este conector manual con conexión de neutro evitará que las líneas de suministro del generador y de servicio se conecten al mismo tiempo a un dispositivo de carga.

El restablecimiento de la línea de suministro de servicio mientras se utiliza la energía del generador no tendrá ningún efecto en los componentes del generador o del conector. Cuando se restablezca el suministro de servicio general, siga las instrucciones especificadas en “Funcionamiento del sistema”.

Compatibilidad del generador

Utilice únicamente un generador equipado de fábrica con una toma NEMA L14-20R o NEMA L14-30R, como se muestra en las Figuras 33 y 34.

AVISO

- NUNCA conecte el conector a ninguna toma distinta de las recomendadas: los aparatos conectados podrían sufrir daños.

INSTALACIÓN

Desembalaje

Inspección en el momento de la entrega

Saque de la caja de cartón de embalaje los componentes que se muestran en la Figura 25.

El conector se entrega preparado para la instalación. Inspeccione el conector y sus componentes para determinar si han sufrido daños durante el transporte.

El cuadro de entrada se entrega preparado para la conexión. Inspeccione el cuadro, el juego de cables de conexión y los enchufes para determinar si presentan daños. El instalador seleccionará y conectará el cable y el enchufe adecuados para la toma del generador.

IMPORTANTE: Si detecta faltas o daños en el momento de la entrega, solicite a la persona que realiza la entrega que anote todos los daños en la nota de entrega y que la firme

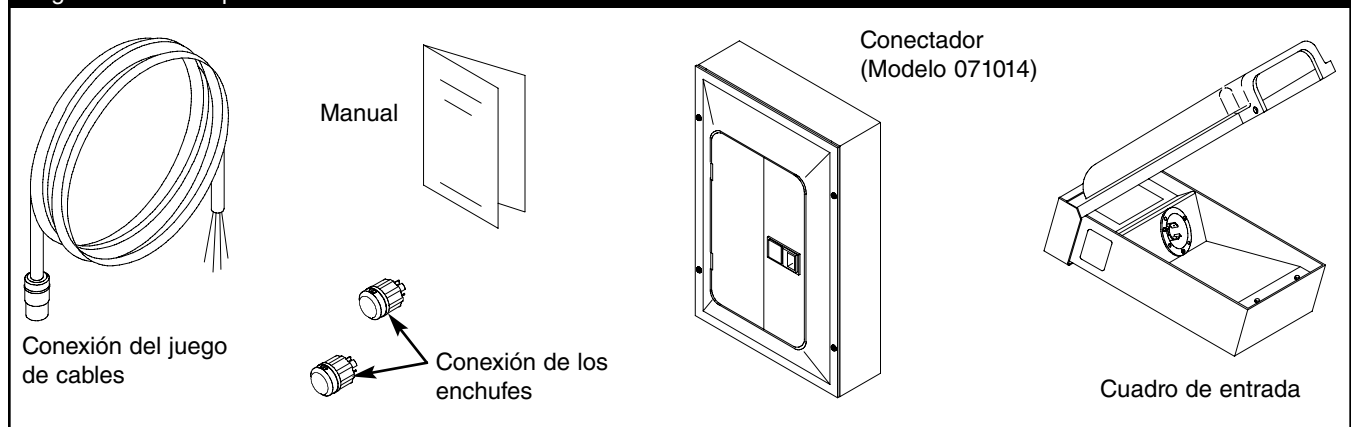
bajo el área de pérdidas y daños del remitente. Si se detectan faltas o daños después de la entrega, póngase en contacto con el transportista para solicitar información sobre el procedimiento de reclamación. La garantía no cubre los daños sufridos durante el transporte.

Elementos no incluidos con el conector:

Los elementos siguientes, necesarios para la instalación del sistema, no están incluidos y deben ser suministrados por el instalador:

1. Herramientas necesarias para la instalación.
2. Anclajes y tornillos para montar los componentes y el conducto del conector.
3. Conducto, accesorios, tuercas de fijación de cables y cable de cobre aislado para conectar el conector al cuadro de entrada exterior y al panel de distribución principal.

Figura 25 — Componentes del conector



INSTALACIÓN

Directrices de montaje

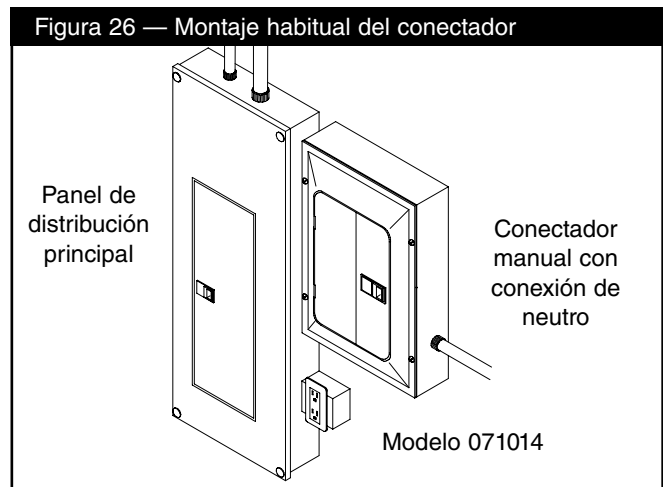
El conector manual con conexión de neutro modelo 071014 se ubica en una caja tipo 1 NEMA, que SÓLO es adecuada para uso en interiores.

El conector manual modelo 071017 se ubica en una caja tipo 3R NEMA, que es adecuada para uso en interiores y a la intemperie.

Directrices para el montaje del conector manual con conexión de neutro:

- El conector manual con conexión de neutro modelo 071017 se debe instalar con elementos de fijación de tipo 3R NEMA, como mínimo, para las conexiones de los conductos.
- Instale el conector en una estructura de apoyo firme y sólida.
- Asegúrese de que la caja está bien nivelada horizontal y verticalmente. Para ello, puede usar arandelas entre la caja y la superficie de montaje.
- NUNCA instale el conector en lugares en los que alguna sustancia corrosiva pueda gotear sobre la caja.
- Proteja el conector en todo momento contra el exceso de humedad, polvo, suciedad, pelusas, arenilla y vapores corrosivos.

La Figura 26 ilustra la instalación habitual del conector manual con conexión de neutro. Discuta las sugerencias y los cambios de diseño con el propietario antes de iniciar el proceso de instalación del sistema.



AISLAMIENTO DE CIRCUITOS ESENCIALES

Las cargas eléctricas esenciales son las que recibirán energía del sistema generador doméstico. Las cargas esenciales se agrupan y conectan al conector.



NOTA PARA EL INSTALADOR: Consulte con el propietario del sistema generador doméstico para seleccionar los circuitos esenciales que se describen en el manual del operario del generador.

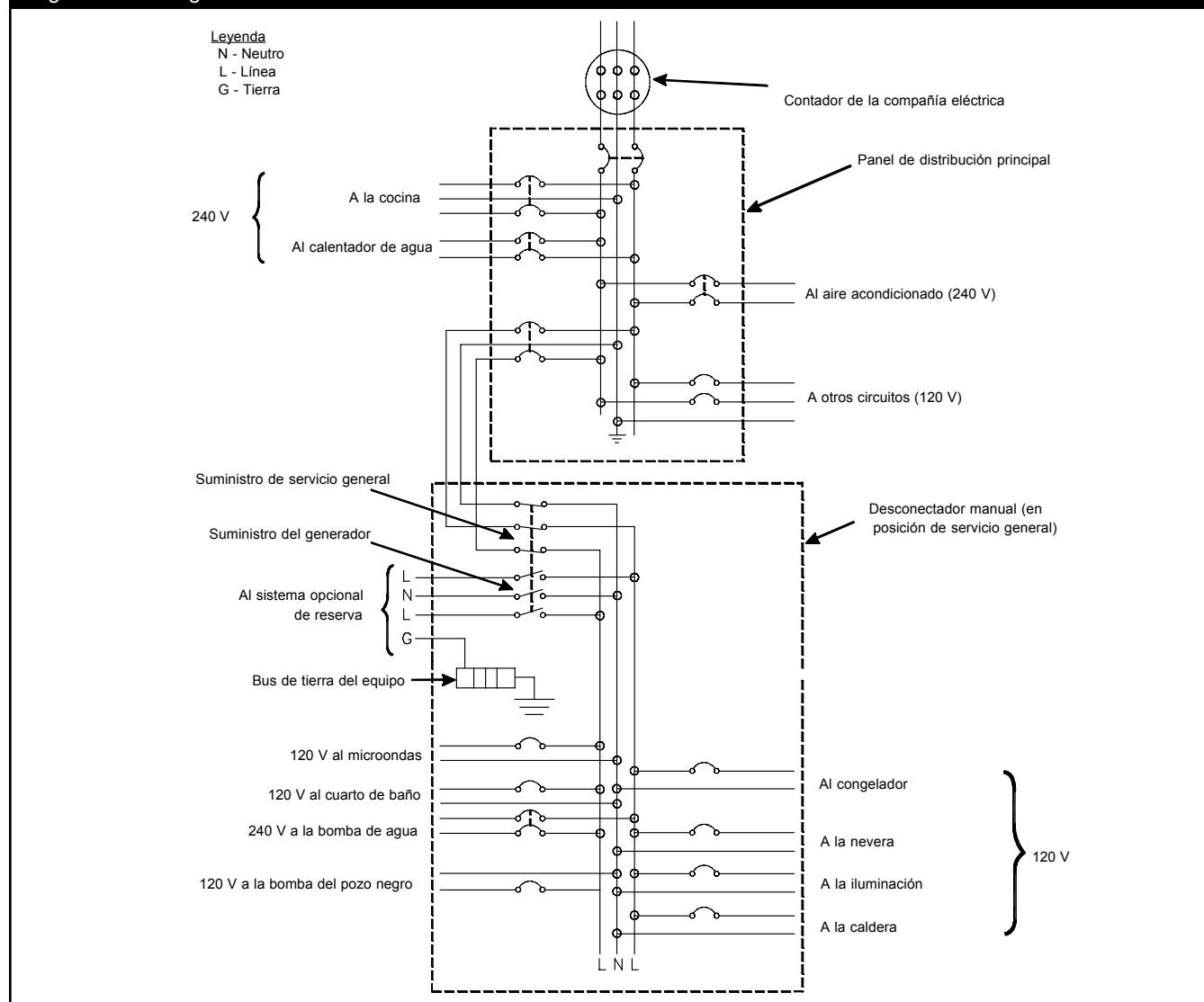
NO sobrecargue el generador, siga las instrucciones del manual del operario del generador.

El conector manual con conexión de neutro se conecta del lado del circuito derivado en el panel de distribución principal.

Todo el cableado debe cumplir la normativa vigente.

La Figura 27 muestra el sistema generador doméstico mientras hay suministro del servicio general monofásico de 120/240 V.

Figura 27 — Diagrama del sistema con circuitos esenciales



Interconexión de los cables de alimentación

Todos los cables deben ser de tamaño adecuado y estar bien sujetos y protegidos por el conducto. Asegúrese de que toda la alimentación eléctrica está desconectada durante la instalación.

Complete las conexiones entre el cuadro de entrada, el panel de distribución principal y el conector tal como muestra la Figura 28 en la página siguiente.

1. Conecte el punto de suministro del servicio general desde el disyuntor bipolar de 50 A del panel de distribución principal al disyuntor de 50 A del conector rotulado "Suministro de servicio general".
2. Conecte el neutro del panel de distribución principal al disyuntor neutro de 50 A del conector rotulado "Suministro de servicio general". NO lo conecte al neutro ni al bus de tierra del conector.
3. Conecte la tierra del equipo del panel de distribución principal al bus de tierra del equipo del conector.
4. Conecte el punto de alimentación del generador de la toma del cuadro de entrada al disyuntor de 30 A del conector rotulado "Suministro del generador".
5. Conecte el neutro del generador de la toma del cuadro de entrada al neutro del disyuntor de 30 A del conector rotulado "Suministro del generador". NO lo conecte al neutro ni al bus de tierra del conector.
6. Conecte la tierra del equipo del generador de la toma del cuadro de entrada al bus de tierra del conector.

IMPORTANTE: Si el bus neutro del conector se conecta a tierra, el GFCI saltará. NO conecte el bus neutro del conector a tierra.

7. Conecte todos los disyuntores derivados a los circuitos esenciales correspondientes, incluidos los conductores de los circuitos de línea y neutro.
8. Apriete todas las conexiones de los cables y elementos de fijación al par adecuado.

NOTA: Los disyuntores derivados del servicio general y del generador del conector están diseñados específicamente para desconectar los circuitos neutros correspondientes durante el funcionamiento del sistema. Esta característica permite utilizar los interruptores de circuito de fallo de conexión a tierra de los generadores cuando se instalan correctamente.

INSTALACIÓN

Cuadro de entrada

La instalación del cuadro de entrada incluido en este sistema debe cumplir estrictamente la totalidad de la normativa vigente.

1. Ubique y monte el cuadro de entrada en un muro exterior, lo más cerca posible del conector de transferencia. Considere el uso de los conductos de entrada de aire de la casa para ubicar el generador y el cuadro de entrada.

La Figura 29 muestra una instalación completa habitual del conector.

2. Extraiga el panel interior del cuadro de entrada. Monte el cuadro de entrada en un muro exterior (Figura 30).
3. Tienda un conducto de tamaño adecuado desde el conector hasta el cuadro de entrada. Ancle todas las cajas, los conductos y los accesorios.

Figura 30 — Instalación del cuadro de entrada

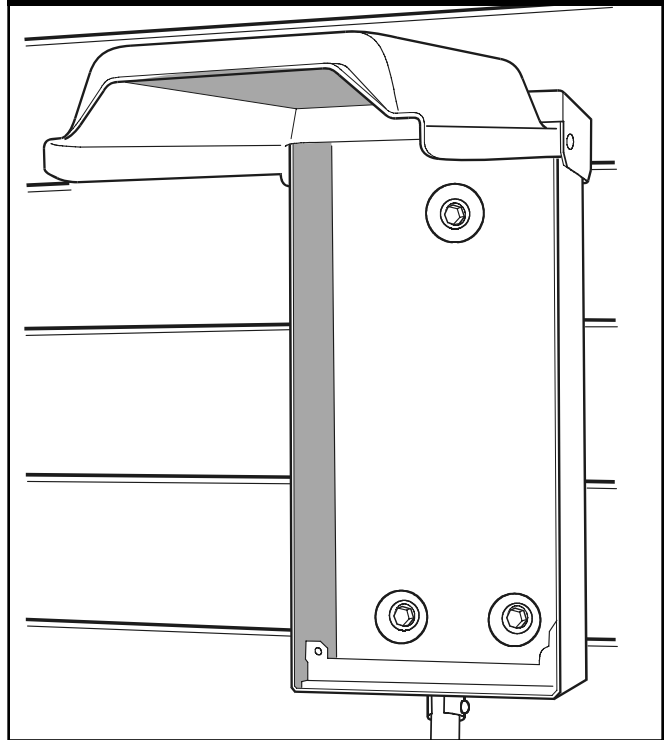
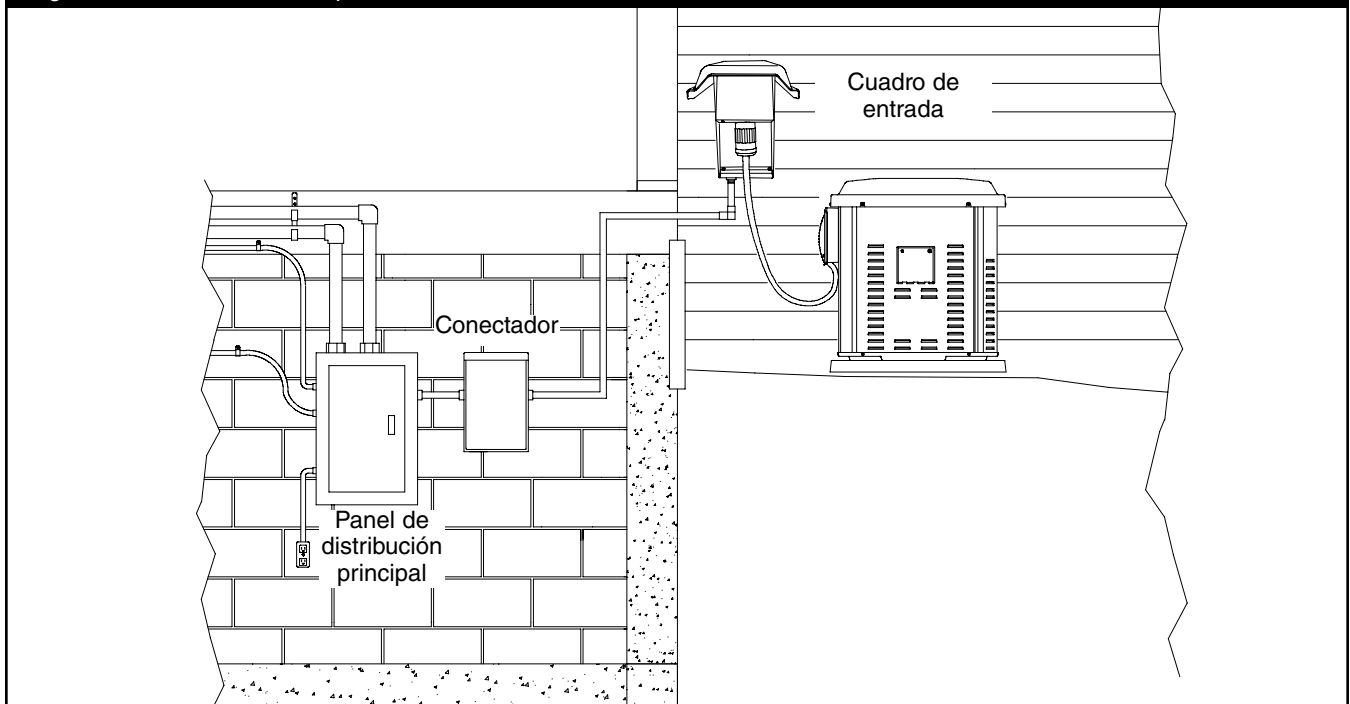


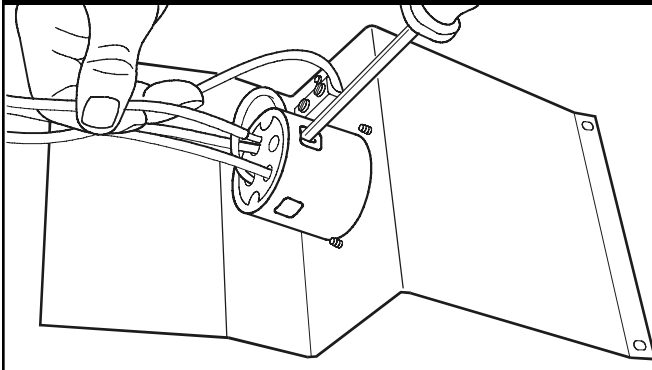
Figura 29 — Instalación completa habitual de un conector



INSTALACIÓN

4. Tal como se muestra en la Figura 31, corte, pele y conecte cada cable al terminal correspondiente de la toma con bloqueo del panel interior del cuadro de entrada. Consulte el esquema situado en el interior del cuadro de entrada para conectar correctamente los cables. Una vez realizadas todas las conexiones, vuelva a instalar el panel interior del cuadro de entrada.

Figura 31 — Conexiones del cuadro de entrada



Conexión del juego de cables

De los dos enchufes de conexión de 120/240 V suministrados con el conector, seleccione el que se adapte al generador. Consulte la imagen de la Figura 32 y el esquema de la Figura 33 ó 34 que corresponda al conector utilizado. Conecte correctamente el enchufe al extremo en espiral del juego de cables de conexión.

Figura 32 — Conexión de la toma

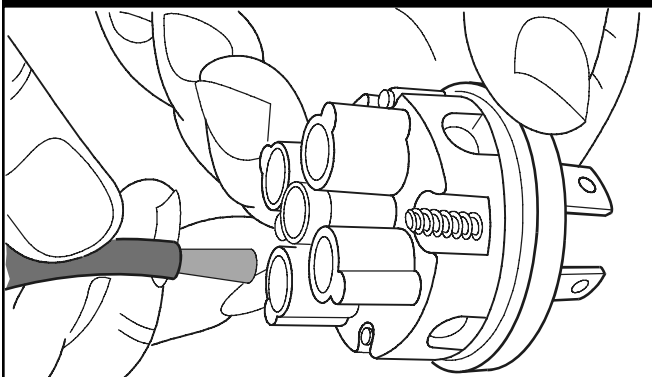


Figura 33 — Conector de juego de cables de 20 A

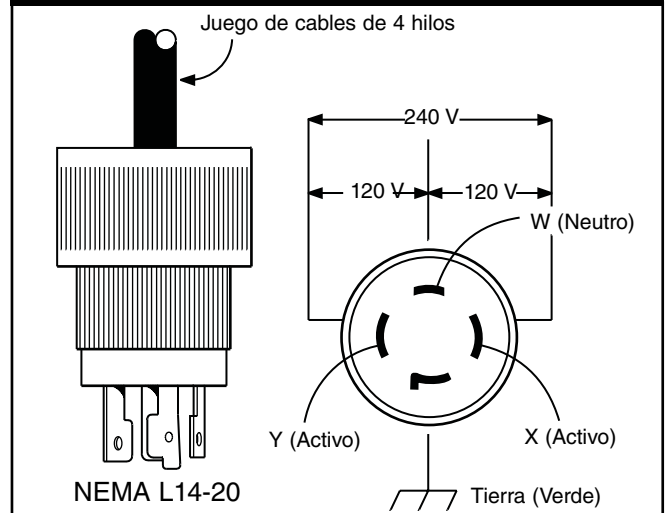
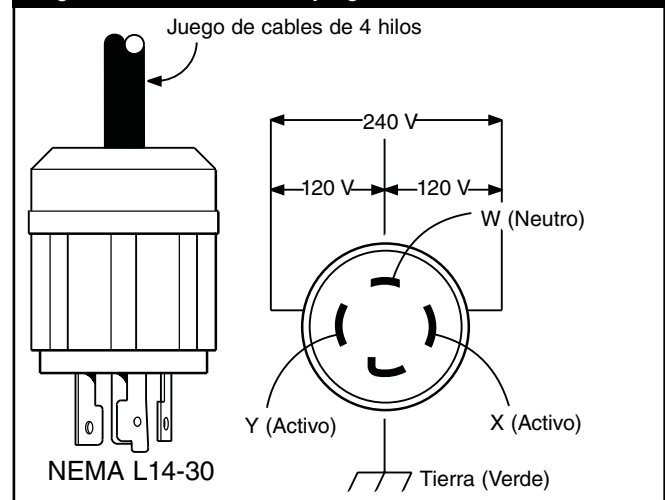


Figura 34 — Conector de juego de cables de 30 A



FUNCIONAMIENTO DEL SISTEMA

Gestión de cargas

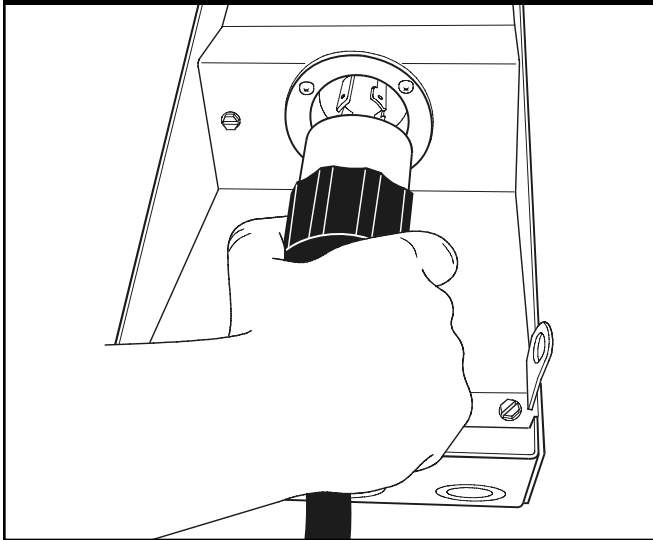
El número de circuitos que se pueden accionar simultáneamente durante un fallo del servicio general depende de la capacidad en vatios del generador. **La mayoría de los sistemas generadores de reserva no tienen capacidad para dar servicio a las cargas de todos los circuitos del conector al mismo tiempo.**

Revise el plan de gestión de cargas con el instalador. Puede ser necesario activar y desactivar selectivamente ciertas cargas cuando se utiliza la energía del generador para poder utilizar los aparatos necesarios.

Para cambiar del suministro de servicio general al suministro del generador:

1. Alinee el conector hembra del juego de cables de conexión con las clavijas correspondientes de las tomas del cuadro de entrada, como se muestra en la Figura 35. Inserte el conector del juego de cables y gírelo hacia la derecha para bloquearlo.

Figura 35 — Conexión del cuadro de entrada



2. Alinee las clavijas del otro extremo del juego de cables con los terminales hembra de la toma de 240 V del generador, como se muestra en la Figura 36. Inserte el conector y gírelo hacia la derecha para bloquearlo.

Figura 36 — Alineación de los conectores en el generador



3. Asegúrese de que el generador está instalado a la intemperie, como se indica en el manual del operario correspondiente.
4. Ponga en marcha el generador siguiendo las instrucciones de su manual del operario.
5. Desactive el interruptor rotulado "SUMINISTRO DE SERVICIO GENERAL" del conector.
6. Desactive todos los interruptores de circuitos derivados del conector.
7. Introduzca el dispositivo de enclavamiento mecánico en el conector y active el interruptor "SUMINISTRO DEL GENERADOR".
8. Active uno a uno los interruptores de los circuitos derivados siguiendo el plan de gestión de cargas elaborado con el instalador. **NO** sobrecargue el generador, siga las instrucciones del manual del operario del generador.

Para volver del suministro del generador al suministro de servicio general:

1. Desactive el disyuntor rotulado "SUMINISTRO DEL GENERADOR" del conector.
2. Desactive todos los interruptores de los circuitos derivados del conector.
3. Introduzca el dispositivo de enclavamiento mecánico en el conector y active el interruptor "SUMINISTRO DEL GENERADOR".
4. **ACTIVE** los disyuntores derivados uno a uno.
5. Apague el generador siguiendo las instrucciones de su manual del operario.
6. Desconecte el juego de cables de conexión del generador y del cuadro de entrada.

IMPORTANTE: Desconecte SIEMPRE los cables cuando no utilice el sistema o cuando lo almacene.

ESPECIFICACIONES

ESPECIFICACIONES

Interruptor de transferencia UL® 1008

Modelo 071014

Caja	NEMA 1
Valor nominal del disyuntor de servicio general	50 A
Valor nominal del disyuntor de suministro del generador	30 A
Tensión nominal c.a.	250 V
Polos	2
Valor nominal de la corriente de conexión a tierra	10.000 RMS simétrica Amperios
Peso	12,26 kg (27 libras)

Interruptor de transferencia UL® 1008

Modelo 071017

Caja	NEMA 3R
Valor nominal del disyuntor de servicio general	50 A
Valor nominal del disyuntor de suministro del generador	30 A
Tensión nominal c.a.	250 V
Polos	2
Valor nominal de la corriente de conexión a tierra	10.000 RMS simétrica Amperios
Peso	12,26 kg (34 libras)

Para llamar a la fábrica

Antes de ponerse en contacto con Briggs and Stratton Power Products en relación con el servicio o reparación de este conector, tome nota del número de modelo que figura en la calcomanía de datos de la unidad situada en el interior de la caja.

Para ponerse en contacto con Briggs and Stratton Power Products, llame al 1-800-743-4115, de 8:00 a 17:00 CT.

RESOLUCIÓN DE PROBLEMAS

Problema	Causa	Solución
El generador está en funcionamiento, pero no hay corriente CA.	<ol style="list-style-type: none"> 1. El disyuntor del generador está abierto. 2. Conexión deficiente o juego de cables defectuoso. 3. El dispositivo conectado no funciona correctamente. 4. Fallo en el generador. 	<ol style="list-style-type: none"> 1. Rearme el disyuntor. 2. Revise y repare el componente. 3. Seleccione otro aparato o carga que esté en buen estado. 4. Póngase en contacto con el servicio técnico autorizado.
El generador funciona bien pero se bloquea cuando se conectan las cargas.	<ol style="list-style-type: none"> 1. Cortocircuito en una carga conectada. 2. El generador está sobrecargado. 	<ol style="list-style-type: none"> 1. Desconecte la carga eléctrica en cortocircuito. 2. Consulte "Gestión de cargas" en la página 45.
Los aparatos no funcionan cuando se restablece el servicio general.	<ol style="list-style-type: none"> 1. El conector está en la posición GENERADOR. 2. El disyuntor del panel de distribución principal está abierto. 	<ol style="list-style-type: none"> 1. Sitúe el interruptor en la posición de SERVICIO GENERAL. 2. Rearme el disyuntor del panel de distribución principal.
Salta el interruptor GFCI del panel de control del generador.	<ol style="list-style-type: none"> 1. Fallo de conexión a tierra de la carga conectada. 2. Dispositivo GFCI defectuoso. 3. Neutro conectado a tierra en el conector. 	<ol style="list-style-type: none"> 1. Retire la carga defectuosa. 2. Póngase en contacto con el servicio técnico autorizado. 3. Póngase en contacto con el servicio técnico autorizado.

POLÍTICA DE GARANTÍA PARA EL PROPIETARIO DEL CONECTADOR DE BRIGGS & STRATTON POWER PRODUCTS GROUP, LLC

Fecha de entrada en vigor: 1 de Noviembre de 2005. Sustituye a todas las garantías sin fecha y a las de fecha anterior al 1 de Noviembre de 2005

GARANTÍA LIMITADA

Briggs & Stratton Power Products Group, LLC reparará o sustituirá sin cargo alguno cualquier componente del equipo que presente defectos de materiales y/o mano de obra. Los gastos de transporte de las producto enviadas para reparar o sustituir conforme a los términos de esta garantía correrán a cargo del comprador. El periodo de vigencia y las condiciones de esta garantía son los que se estipulan a continuación. Para obtener servicio en garantía, localice el distribuidor de servicio autorizado más próximo en nuestro mapa de distribuidores, en www.BRIGGSandSTRATTON.com.

NO EXISTE NINGUNA OTRA GARANTÍA EXPLÍCITA. LAS GARANTÍAS IMPLÍCITAS, INCLUIDAS LAS DE COMERCIABILIDAD O IDONEIDAD PARA UN FIN CONCRETO, SE LIMITAN A UN AÑO DESDE LA FECHA DE COMPRA O AL LÍMITE DE TIEMPO PERMITIDO POR LA LEY. QUEDAN EXCLUIDAS TODAS LAS GARANTÍAS IMPLÍCITAS QUEDA EXCLUIDA LA RESPONSABILIDAD POR DAÑOS SECUNDARIOS Y DERIVADOS HASTA EL LÍMITE PERMITIDO POR LA LEY. Algunos países o estados no permiten limitar la duración de una garantía implícita ni excluir o limitar los daños secundarios y derivados. Por tanto, es posible que las limitaciones y exclusiones mencionadas no sean aplicables en su caso. Esta garantía le otorga determinados derechos legales y es posible que tenga otros derechos que pueden variar de un país o estado a otro.

PERÍODO DE GARANTÍA

Uso del consumidor	3 Años
Uso comercial	ninguno

El período de garantía comienza en la fecha de compra del primer consumidor o usuario comercial final y se prolonga durante el tiempo especificado en la siguiente tabla. "Uso del consumidor" significa uso doméstico personal por parte de un consumidor final. "Uso comercial" significa cualquier otro uso, incluidos los usos con fines comerciales, de generación de ingresos o alquiler. Una vez que el equipo se haya usado con fines comerciales, se considerará como equipo de uso comercial a efectos de esta garantía. Los equipos utilizados para suministrar energía en sustitución de un servicio público no pueden acogerse a esta garantía.

NO ES NECESARIO REGISTRAR LA GARANTÍA PARA OBTENER SERVICIO DE BRIGGS & STRATTON PRODUCTS. GUARDE SU RECIBO DE COMPRA. SI NO APORTA LA PRUEBA DE LA FECHA DE COMPRA INICIAL, SE UTILIZARÁ LA FECHA DE FABRICACIÓN DEL PRODUCTO PARA DETERMINAR EL PERÍODO DE GARANTÍA.

ACERCA DE LA EQUIPO GARANTÍA

Esperamos que disfrute de nuestra garantía y le pedimos disculpas por las molestias causadas. Cualquier distribuidor de servicio autorizado puede llevar a cabo reparaciones en garantía. La mayoría de las reparaciones en garantía se gestionan normalmente, pero algunas veces la solicitud de servicio en garantía puede no ser procedente. Por ejemplo, la garantía no será válida si el equipo presenta daños debidos al mal uso, la falta de mantenimiento, el transporte, la manipulación, el almacenamiento o la instalación inadecuados. De manera similar, la garantía quedará anulada si se ha borrado la fecha de fabricación o el número de serie del equipo, o si el equipo ha sido alterado o modificado. Durante el período de garantía, el distribuidor de servicio autorizado podrá reparar o sustituir, a su libre elección, cualquier pieza que, previa inspección, sea defectuosa en condiciones normales de uso y servicio. Esta garantía no cubre las reparaciones y equipos que se detallan a continuación:

- **Desgaste normal:** Al igual que cualquier otro aparato mecánico, los equipos de uso en exteriores necesitan piezas y mantenimiento periódicos para funcionar correctamente. Esta garantía no cubre las reparaciones cuando el uso normal haya agotado la vida útil de una pieza concreta del equipo.
- **Instalación y mantenimiento:** Esta garantía no cubre los equipos ni las piezas cuya instalación sea incorrecta o no haya sido autorizada, ni aquellos que hayan sido objeto de cualquier tipo de alteración, mal uso, negligencia, accidente, sobrecarga o mantenimiento, reparación o almacenamiento inadecuados que, a nuestro juicio, haya afectado negativamente a su funcionamiento y su fiabilidad. La garantía tampoco cubre el mantenimiento normal, como los ajustes y la limpieza y cambio de los fusibles.
- **Otras exclusiones:** También quedan excluidos de esta garantía el desgaste de los artículos tales y los daños derivados de accidentes, uso indebido, modificaciones, alteraciones, servicio inadecuado. Los accesorios quedan excluidos de la garantía del producto. Esta garantía excluye los fallos debidos a hechos fortuitos y a otros acontecimientos de fuerza mayor que escapan al control del fabricante. También se excluyen los equipos usados o reacondicionados y los destinados a demostraciones.

BRIGGS & STRATTON POWER PRODUCTS GROUP, LLC
JEFFERSON, WI, EE.UU

198180S, Rev. B, 7/14/2006



Free Manuals Download Website

<http://myh66.com>

<http://usermanuals.us>

<http://www.somanuals.com>

<http://www.4manuals.cc>

<http://www.manual-lib.com>

<http://www.404manual.com>

<http://www.luxmanual.com>

<http://aubethermostatmanual.com>

Golf course search by state

<http://golfingnear.com>

Email search by domain

<http://emailbydomain.com>

Auto manuals search

<http://auto.somanuals.com>

TV manuals search

<http://tv.somanuals.com>