

©2004 The Brinkmann Corporation
Dallas, Texas 75244 U.S.A
www.brinkmanncorp.com

1-YEAR LIMITED WARRANTY

For 1-year from date of purchase, The Brinkmann Corporation warrants the Stainless Steel Propane Lantern against defects due to workmanship or materials to the original purchaser. The Brinkmann Corporation's obligations under this warranty are limited to the following guidelines:

- This warranty does not cover lanterns that have been altered or damaged due to: normal wear, abuse, improper maintenance, improper use, disassembly of parts and/or attempted repair by anyone other than an authorized employee of The Brinkmann Corporation.
- This warranty does not cover surface scratching or heat damage to the finish, which is considered normal wear.
- This warranty does not cover mantles or glass globe.
- The Brinkmann Corporation may elect to repair or replace damaged units covered by the terms of this warranty.
- This warranty extends to the original purchaser only and is not transferable or assignable to subsequent purchasers.

The Brinkmann Corporation requires reasonable proof of purchase. Therefore, we strongly recommend that you retain your sales receipt or invoice. To obtain replacement parts for your Stainless Steel Propane Lantern under the terms of this warranty, please call Customer Service Department at 1-800-527-0717 for a **Return Authorization Number** and further instructions. **A receipt or proof of purchase will be required.** Units returned to Brinkmann (without propane cylinder) must include your name, address and telephone number. Please make sure product is properly packed, postage prepaid and insured. **The Brinkmann Corporation will not be responsible for any products forwarded to us without prior authorization.**

EXCEPT AS ABOVE STATED, THE BRINKMANN CORPORATION MAKES NO OTHER EXPRESS WARRANTY.

THE IMPLIED WARRANTIES OF MERCHANTABILITY AND FITNESS FOR A PARTICULAR PURPOSE ARE LIMITED IN DURATION TO 1-YEAR FROM THE DATE OF PURCHASE. SOME STATES DO NOT ALLOW LIMITATIONS ON HOW LONG AN IMPLIED WARRANTY LASTS, SO THE ABOVE LIMITATION MAY NOT APPLY TO YOU.

ANY LIABILITY FOR INDIRECT, INCIDENTAL OR CONSEQUENTIAL DAMAGES ARISING FROM THE FAILURE OF THE STAINLESS STEEL PROPANE LANTERN TO COMPLY WITH THIS WARRANTY OR ANY IMPLIED WARRANTY IS EXCLUDED. CUSTOMER ACKNOWLEDGES THAT THE PURCHASE PRICE CHARGED IS BASED UPON THE LIMITATIONS CONTAINED IN THE WARRANTY SET OUT ABOVE. SOME STATES DO NOT ALLOW THE EXCLUSION OR LIMITATION OF INCIDENTAL OR CONSEQUENTIAL DAMAGES, SO THE ABOVE LIMITATION OR EXCLUSION MAY NOT APPLY TO YOU. THIS WARRANTY GIVES YOU SPECIFIC LEGAL RIGHTS, AND YOU MAY ALSO HAVE OTHER RIGHTS WHICH VARY FROM STATE TO STATE.

140-0350-0
04/04, 7/04, 9/04

Owner's Manual for Models
844-0350-0, 844-0350-2, 844-0350-S

BRINKMANN®

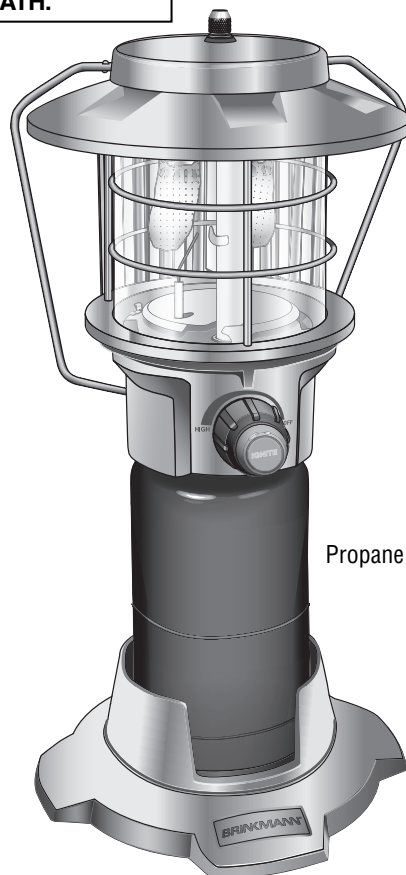
OWNER'S MANUAL

STAINLESS STEEL PROPANE LANTERN

⚠ WARNING

FAILURE TO FOLLOW ALL WARNINGS
AND INSTRUCTIONS IN THIS MANUAL
COULD LEAD TO PERSONAL INJURY,
INCLUDING DEATH.

RETAIN THIS MANUAL FOR
FUTURE REFERENCE.



Propane cylinder not included.

FOR YOUR SAFETY:

IF YOU SMELL GAS:

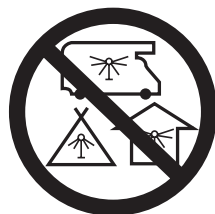
- 1. DO NOT attempt to light appliance.**
- 2. Extinguish any open flame.**
- 3. Disconnect from fuel supply.**

FOR YOUR SAFETY:

DO NOT store or use gasoline or other liquids with flammable vapors in the vicinity of this or any other appliances.



DANGER



CARBON MONOXIDE HAZARD

This appliance can produce carbon monoxide which has no odor.

Using it in an enclosed space can kill you.

Never use this appliance in an enclosed space such as a camper, tent, car or home.

IMPORTANT SAFETY WARNINGS

⚠ WARNING

- **FOR OUTDOOR USE ONLY. DO NOT** operate indoors (house, tent, garage) or in any unventilated or enclosed area.
- All burning appliances consume oxygen. This lantern uses oxygen from the air and may produce CO (Carbon Monoxide), which is a colorless, odorless gas that can kill you. Ample ventilation must be provided to avoid endangering your life. Be certain that the area in which this appliance is used is properly ventilated at all times.
- **DO NOT** use as a space heater.
- **DO NOT** leave lantern unattended when hot or in use. Only adults are to operate this lantern; keep children and pets safely away. Carefully monitor all activity around lantern to avoid burns or other injuries.

⚠ WARNING

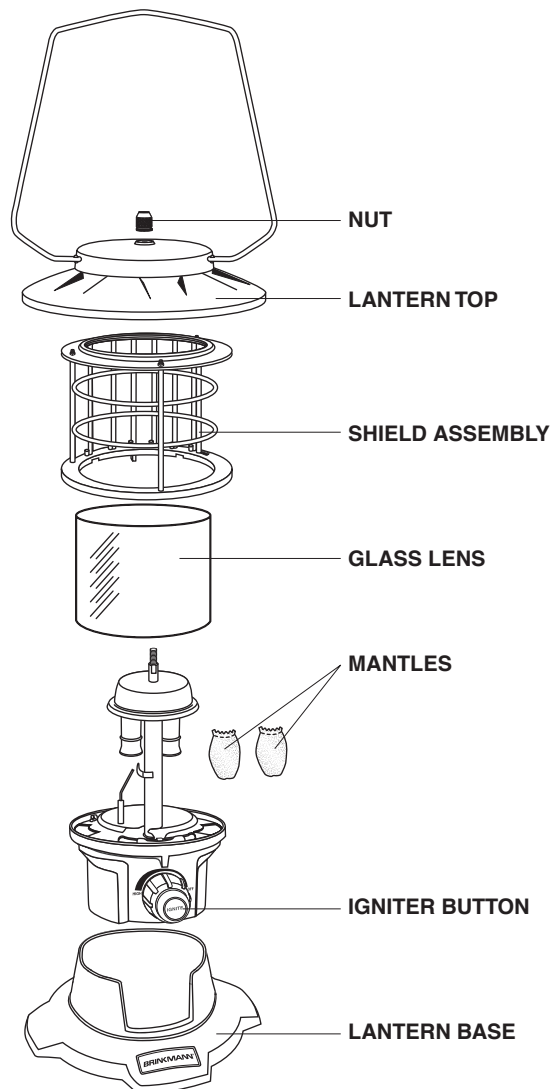
- **DO NOT** operate lantern within 36" from any combustible material including walls and ceiling.
- **DO NOT** use on/in apartment complex balconies or patios, recreational vehicles, campers or boats.
- Propane gas is extremely flammable, follow these instructions:
 - **DO NOT** store or use gasoline or other liquids/aerosols with flammable vapors in the vicinity of this appliance.
 - Use only 16.4 oz. LP-gas cylinder(s) constructed and marked in accordance with the specifications for LP-gas cylinders of the United States Department of Transportation (DOT) or Transport Canada, CAN/CSA 339. **DO NOT** use fuel other than propane.
 - Always attach or detach propane cylinder outdoors away from flame, pilot lights or other sources of ignition and only when appliance is cool to touch.
 - Read and follow all warnings and instructions on or accompanying propane cylinder.
 - Always inspect appliance, propane cylinder and propane connections for damage, dirt or debris before attaching propane cylinder. **DO NOT** use if either has been damaged or modified.
 - When transporting, not using, or storing lantern always disconnect propane cylinder.
 - Propane cylinder should remain upright to prevent liquid propane flare-up.
 - **DO NOT** connect to a remote gas supply such as natural gas or a refillable propane cylinder.
- Always use lantern in upright position.
- Never alter in any way or use with any device or part not approved by The Brinkmann Corporation.
- Avoid touching hot surfaces of lantern.
- These mantles contain and emit small amounts of naturally radioactive materials whether lit or unlit. In view of public concern about exposure to radiation of any type, follow the directions below.
 - Avoid carrying mantles close to the body for extended periods.
 - Always light mantle and use lantern outdoors.
 - Avoid breathing vapors or ash from mantle.
 - Keep mantle and ash out of reach of children. Harmful if swallowed.
 - Avoid skin contact with ash and dispose of carefully in garbage.
 - Wash hands after handling mantles or ash.
 - Keep ash away from food.
 - This product contains a chemical known to the state of California to cause cancer.
 - Never use broken or torn mantles.
- Only use replacement/accessory parts manufactured by The Brinkmann Corporation. Repairs should be performed by The Brinkmann Corporation. For parts or repairs contact The Brinkmann Corporation's Customer Service Department at 1-800-527-0717.
- Properly dispose of all packaging materials.

ASSEMBLY INSTRUCTIONS

⚠ READ ALL SAFETY WARNINGS & ASSEMBLY INSTRUCTIONS CAREFULLY BEFORE ASSEMBLING OR OPERATING YOUR LANTERN.

Inspect contents of the box to ensure all parts are included and undamaged.

FOR MISSING PARTS, PLEASE CALL CUSTOMER SERVICE AT 1-800-527-0717.
(Proof of purchase will be required.)



OPERATING INSTRUCTIONS

Attaching Lantern to Propane Cylinder

Step 1

Take the lantern outdoors. Turn the valve to the OFF position.

Step 2

Remove the protective cap from the propane cylinder. Save the cap for later storage of the cylinder.

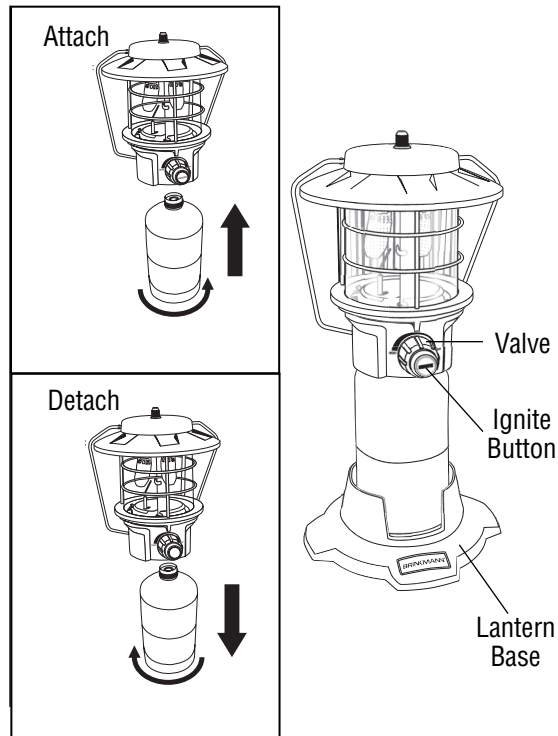
⚠ WARNING: Use only 16.4 oz. LP-gas cylinder constructed and marked in accordance with the specifications for LP-gas cylinders of the United States Department of Transportation (DOT) or Transport Canada, CAN/CSA 339. DO NOT use fuel other than propane.

Step 4

Attach propane cylinder to lantern by turning propane cylinder as shown. **HAND TIGHTEN ONLY.** Do not cross-thread connections.

Step 6

Place lantern securely into the lantern base.



Installing Mantles in Lantern

Step 1

Remove the lantern top by turning the nut counter-clockwise. Carefully lift off the shield assembly and the glass globe.

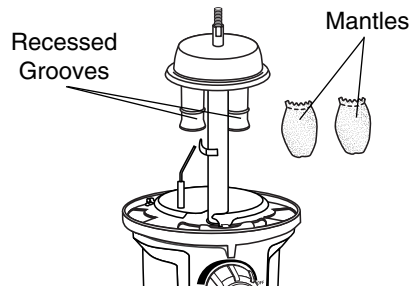
Step 2

Inspect the mantle for tears or holes and discard if damaged. Tie the mantles around the recessed grooves on the burners. Be careful that the mantle does not tear on the electrode.

Step 3

Distribute the folds on the mantle evenly around the burner. Cut the excess string approximately 1/4" from the knot.

⚠ WARNING: Do not operate the lantern with mantles that have tears or holes in them.



Step 4

Light the bottom of each mantle evenly from the bottom, using a match or lighter. Burn until nothing but white ash remains. After the mantles have been burned, they are very fragile. Be careful not to touch or jar them.

Step 5

Reassemble the lantern.

⚠ WARNING

- **DO NOT** allow gasoline or other flammable vapors or liquids to come in contact with lantern while lighting or at any time during use of lantern.
- If the lantern burns with a yellow, smoky flame, turn the lantern to the OFF position, wait for it to cool and check the air tube and burners for spider webs, dirt and other debris.
- Do not obstruct the flow of combustion and ventilating air around the lantern.

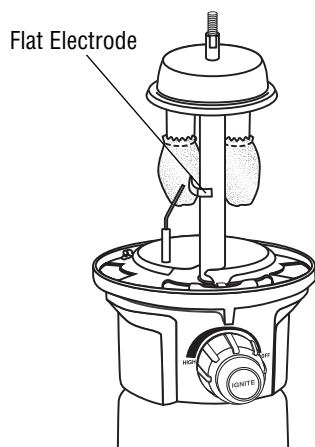
Lighting Lantern

Step 1

Turn the valve to HIGH and push the ignite button. The valve should click and a spark should ignite the mantles. If the lantern fails to light, repeat this step. If the lantern does not light after several tries, turn the valve to OFF and inspect the lantern.

Push the ignite button and watch for a spark from the electrode. If no spark occurs, check the electrode gap. The gap should be approximately $\frac{3}{16}$ ". If necessary, remove the lantern top by turning the nut counter-clockwise. Carefully lift off the shield assembly and the glass globe, bend the flat electrode to set the gap.

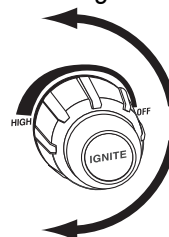
If the lantern is wet due to rain or humidity, etc., the electrode may fail to spark. If this is the case, hold a lighted match near, but not touching, the mantle and turn the valve to HIGH. When both mantles are lit, reassemble the lantern carefully.



Adjusting Lantern

Brightness may be adjusted by turning the fuel valve or by using the adjustment lever on the shield assembly.

HIGH / Larger Flame



OFF / Smaller Flame

Turning Lantern Off

Turn the fuel valve to the OFF position.

Storage

Step 1

Turn the fuel valve to the OFF position.

Step 2

Make certain that the lantern is completely cool.

Step 3

Move the lantern away from all sources of ignition, including pilot lights.

Step 4

Remove the the propane cylinder from the lantern.

Step 5

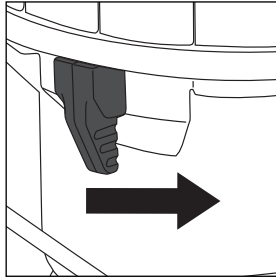
Replace the protective cap onto the propane cylinder.

Step 6

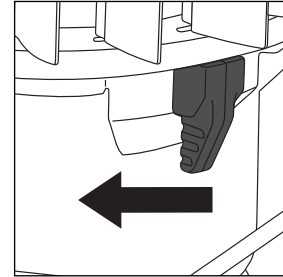
It is recommended that the lantern be stored in a sealed plastic bag to avoid accumulation of dust, cobwebs, etc.

Shutter Control

For directional lighting, slide lever over to right to close shutter.



For 360° lighting, slide lever over to left to open shutter.



AFTER-USE SAFETY

- Always allow the lantern to cool completely before handling.
- When disconnecting propane cylinder, a small amount of LP gas is released until cylinder is completely removed. Cylinder contains a self-sealing valve.
- Always disconnect the propane cylinder from lantern when not in use - replace plastic cap on the propane cylinder.
- Store propane cylinder in a well ventilated area away from heat source or open flame.

PROPER CARE & MAINTENANCE

- Wash glass globe with soapy water occasionally. Do not use abrasive materials.
- To protect your lantern, the unit must be kept clean and covered at all times when not in use.
- Only use replacement/accessory parts manufactured by The Brinkmann Corporation. Repairs should be performed by The Brinkmann Corporation. For parts or repairs, contact The Brinkmann Corporation's Customer Service Department at 1-800-527-0717.
- Cover and store lantern in a protected area away from children and pets.
- After product has been stored and prior to reusing, verify that burners are free from leaves, insects, spider webs, dirt, etc. as these items can obstruct the flow of combustion air.
- Prior to each use, visually check the burner/mantle for proper operation as described on page 5.
DO NOT use if burner/flame is not operating properly.
- This lantern requires an unobstructed airflow to operate correctly.
- During use or storage, always keep the lantern area clear and free of combustible materials, gasoline and other flammable vapors and liquids.

NOTE: Due to the intense heat from burner, it is normal for discoloration to occur on lantern during the first few uses.

Free Manuals Download Website

<http://myh66.com>

<http://usermanuals.us>

<http://www.somanuals.com>

<http://www.4manuals.cc>

<http://www.manual-lib.com>

<http://www.404manual.com>

<http://www.luxmanual.com>

<http://aubethermostatmanual.com>

Golf course search by state

<http://golfingnear.com>

Email search by domain

<http://emailbydomain.com>

Auto manuals search

<http://auto.somanuals.com>

TV manuals search

<http://tv.somanuals.com>