

BRINKMANN®

**PROFESSIONAL STAINLESS STEEL
CHARCOAL GRILL
PARRILLA A CARBÓN PROFESIONAL DE
ACERO INOXIDABLE**

OWNER'S MANUAL / MANUAL DEL PROPIETARIO

**ASSEMBLY AND OPERATING INSTRUCTIONS
INSTRUCCIONES DE ENSAMBLAJE Y OPERACIÓN**

⚠ WARNING

READ AND FOLLOW ALL WARNINGS AND INSTRUCTIONS IN THIS MANUAL TO AVOID PERSONAL INJURY OR PROPERTY DAMAGE.

⚠ ADVERTENCIA

PARA EVITAR LESIONES PERSONALES Y DAÑOS MATERIALES LEA Y OBEDEZCA TODAS LAS ADVERTENCIAS E INSTRUCCIONES QUE APARECEN EN ESTE MANUAL



IMPORTANT SAFETY WARNINGS

WE WANT YOU TO ASSEMBLE AND USE YOUR GRILL AS SAFELY AS POSSIBLE.

THE PURPOSE OF THIS SAFETY ALERT SYMBOL 

IS TO ATTRACT YOUR ATTENTION TO POSSIBLE HAZARDS AS YOU ASSEMBLE AND USE YOUR GRILL.

WHEN YOU SEE THE SAFETY ALERT SYMBOL, PAY CLOSE ATTENTION TO THE INFORMATION WHICH FOLLOWS!

** READ ALL SAFETY WARNINGS AND INSTRUCTIONS CAREFULLY
BEFORE ASSEMBLING AND OPERATING YOUR GRILL.**

WARNING

- Only use this grill on a hard, level, non-combustible, stable surface (concrete, ground, etc.) capable of supporting the weight of the grill. Never use on wooden or other surfaces that could burn.
- DO NOT use grill without charcoal ash tray in place. DO NOT attempt to remove charcoal ash tray while tray contains hot coals.
- Proper clearance of 10 feet between the grill and combustible material (bushes, trees, wooden decks, fences, buildings, etc.) or construction should be maintained at all times when grill is in use. Do not place grill under a roof overhang or other enclosed area.
- For outdoor use only. Do not operate grill indoors or in an enclosed area.
- For household use only. Do not use this grill for other than its intended purpose.
- We recommend the use of a Charcoal Chimney Starter to avoid the dangers associated with charcoal lighting fluid. If you choose to use charcoal lighting fluid, only use lighting fluid approved for lighting charcoal. Carefully read manufacturer's warnings and instructions on the charcoal lighting fluid and charcoal prior to the use of their product. Store charcoal lighting fluid safely away from grill.
- When using charcoal lighting fluid, allow charcoal to burn with grill lid open until covered with a light ash (approximately 20 minutes). This will allow charcoal lighting fluid to burn off. Failure to do this could trap fumes from charcoal lighting fluid in grill and may result in a flash fire or explosion when lid is opened.
- Never use charcoal that has been pre-treated with lighter fluid. Use only a high grade plain charcoal or charcoal/wood mixture.
- Do not use gasoline, kerosene or alcohol for lighting charcoal. Use of any of these or similar products could cause an explosion possibly leading to severe bodily injury.
- Never add charcoal lighting fluid to hot or even warm coals as flashback may occur causing severe burns.
- Place grill in an area where children and pets cannot come into contact with unit. Close supervision is necessary when grill is in use.
- Do not leave grill unattended when in use.
- When adding charcoal and/or wood, use extreme caution and follow instructions in "Adding Charcoal/Wood During Cooking" section of this manual.
- Do not store or use grill near gasoline or other flammable liquids, gases or where flammable vapors may be present.
- Use caution when adjusting charcoal grate height. Handle may be hot when in use.

Grill is hot when in use. To avoid burns:

- DO NOT attempt to move the grill.
- Lock the casters so the unit does not accidentally move.
- Wear protective gloves or oven mitts when adjusting door handle, ash tray, cooking height or air vents.
- DO NOT touch any hot grill surfaces.
- DO NOT wear loose clothing or allow hair to come in contact with grill.

⚠ WARNING

- When grilling, grease from meat may drip into the charcoal and cause a grease fire. If this should happen close lid to suffocate the flame. Do not use water to extinguish grease fires.
- Use caution since flames can flare-up when fresh air suddenly comes in contact with fire. When opening the lid, keep hands, face and body a safe distance from hot steam and flame flare-ups.
- Never place more than 15 pounds on side tables. Do not lean on the side tables.
- Do not exceed a temperature of 400°F. Do not allow charcoal and/or wood to rest on the walls of grill. Doing so will greatly reduce the life of the metal and finish of your grill.
- Use caution when assembling and operating your grill to avoid scrapes or cuts from sharp edges of metal parts. Use caution when reaching into or under grill.
- When opening lid, make sure it is pushed all the way open. If lid is not fully open, it could fall back to a closed position and cause bodily injury.
- In windy weather, place grill in an outdoor area that is protected from the wind.
- Close lid to suffocate flame.
- Never leave coals and ashes in grill unattended. Before grill can be left unattended, remaining coals and ashes must be removed from grill. Use caution to protect yourself and property. Carefully place remaining coals and ashes in a non-combustible metal container and saturate completely with water. Allow coals and water to remain in metal container 24 hours prior to disposing.
- Extinguished coals and ashes should be placed a safe distance from all structures and combustible materials.
- With a garden hose, completely wet the surface beneath and around grill to extinguish any ashes, coals or embers which may have fallen during the cooking or cleaning process.
- After each use, clean the grill thoroughly and reapply a light coat of oil to interior to prevent rusting. Cover the grill to protect it from excessive rusting.
- Use caution when lifting or moving grill to prevent strains and back injuries.
- We advise that a fire extinguisher be on hand. Refer to your local authority to determine proper size and type of fire extinguisher.
- Accessory attachments not manufactured by The Brinkmann Corporation for this particular product are not recommended and may lead to personal injury or property damage.
- Store the grill out of reach of children and in a dry location when not in use.
- Do not attempt to service grill other than normal maintenance as explained in "After-Use Safety" and "Proper Care & Maintenance" sections of this manual. Repairs should be performed by The Brinkmann Corporation only.
- Properly dispose of all packaging material.

USE CAUTION AND COMMON SENSE WHEN OPERATING YOUR GRILL.

**FAILURE TO ADHERE TO SAFETY WARNING AND GUIDELINES IN THIS MANUAL COULD RESULT
IN BODILY INJURY OR PROPERTY DAMAGE.**

SAVE THIS MANUAL FOR FUTURE REFERENCE.

ASSEMBLY INSTRUCTIONS

**▲ READ ALL SAFETY WARNINGS & ASSEMBLY INSTRUCTIONS CAREFULLY
BEFORE ASSEMBLING OR OPERATING YOUR GRILL.**

FOR MISSING PARTS, PLEASE CALL CUSTOMER SERVICE AT 800-527-0717.

(Proof of purchase will be required.)

Inspect contents of the box to ensure all parts are included and undamaged.

We recommend two people work together when assembling this unit.

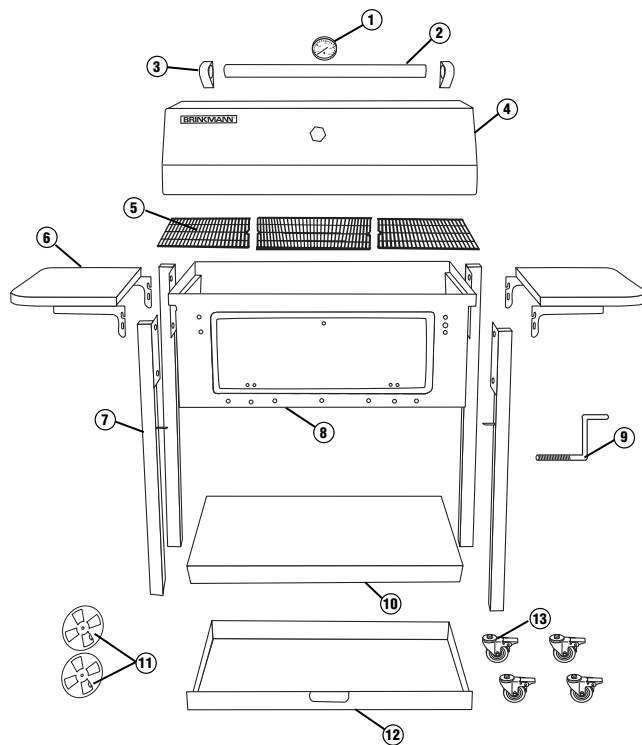
The estimated time of assembly for this grill is approximately 30 minutes.

The following tools are required to assemble this Professional Stainless Steel Charcoal Grill:

- Pliers
- Phillips & Flathead Screwdrivers
- Adjustable Wrench

PARTS LIST - PROFESSIONAL GRILL:

- ① 1 Temperature Gauge
- ② 1 Handle
- ③ 2 Handle Stands
- ④ 1 Lid
- ⑤ 3 Cooking Grills
- ⑥ 2 Side Shelves
- ⑦ 4 Legs
- ⑧ 1 Lower Grill Housing
- ⑨ 1 Crank
- ⑩ 1 Bottom Shelf
- ⑪ 2 Air Vents
- ⑫ 1 Charcoal Ash Tray
- ⑬ 4 Steel Casters



FOR COVERS, ACCESSORIES AND OTHER PRODUCTS, PLEASE VISIT US ONLINE AT:

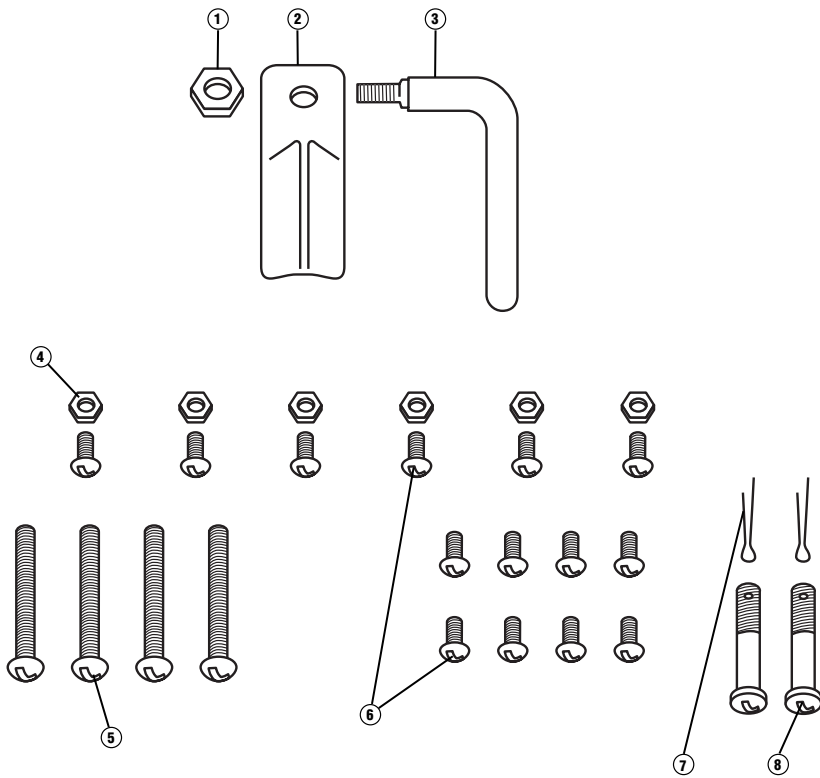
www.brinkmann.net

FOR GRILL WARRANTY REPLACEMENT PARTS, PLEASE VISIT US AT:

www.grillpartsonline.com

Parts Bag Contents

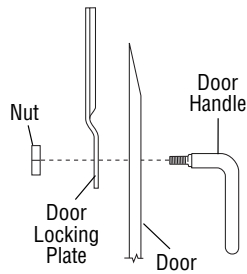
- ① 1 10 X 8mm hexagonal nut
- ② 1 Door locking plate
- ③ 1 Door handle
- ④ 6 6 X 5mm hexagonal nuts
- ⑤ 4 6 X 45mm Phillips head bolts
- ⑥ 14 6 X 12mm Phillips head bolts
- ⑦ 2 Cotter pins
- ⑧ 2 Hood pivot pins



Choose a good, cleared assembly area and get a friend to help you put your grill together. Lay cardboard down to protect grill finish and assembly area. Turn the grill on its side to begin assembly.

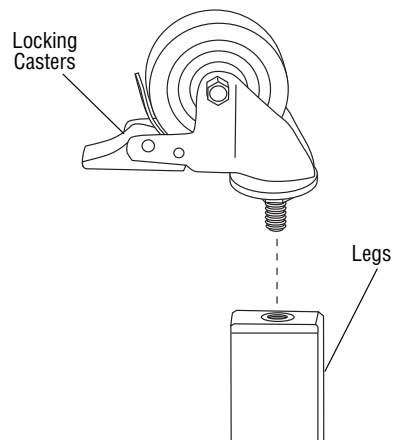
Step 1

Insert door handle through hole in door with handle pointing down. Place door locking plate over door handle pointing up and secure with a 10 X 8mm hexagonal nut.



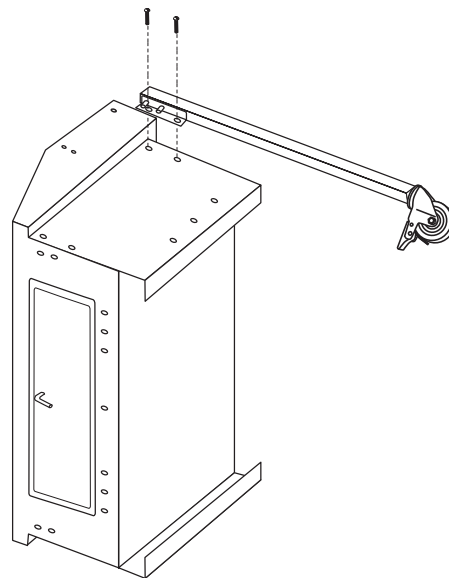
Step 2

Attach steel casters to bottom of each leg. Tighten caster bolts securely.



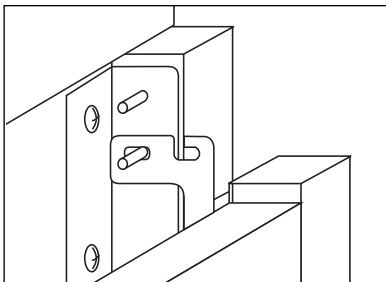
Step 3

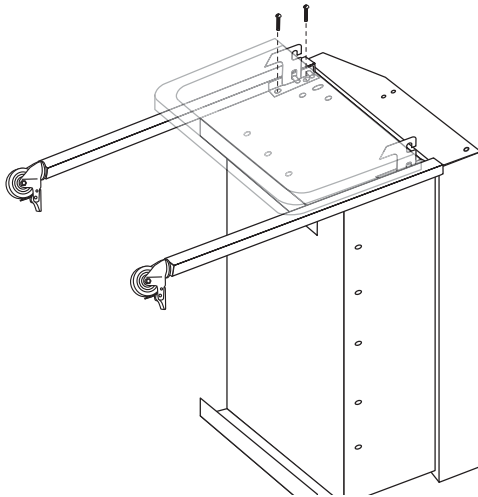
Align the holes in one leg bracket with the holes in the body of the grill. Insert two 6 X 12mm Phillips head bolts through the leg bracket and secure to the grill body.



Step 4

Hang a shelf onto the lower stud of the leg that you have attached to the grill body.





Step 5

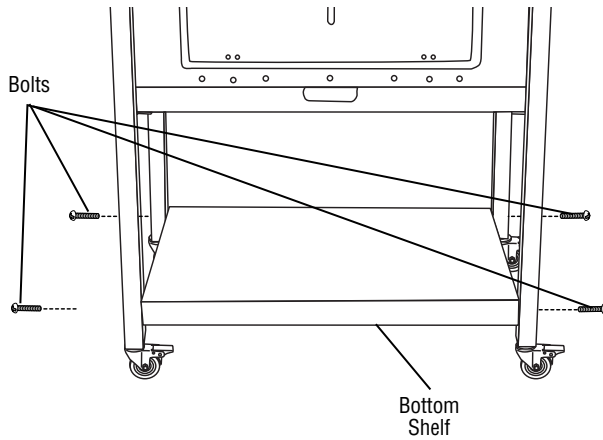
Insert the lower stud of the opposite leg bracket into the opposite side of the shelf. Align the holes in the leg bracket with the holes in the grill body. Insert two 6 X 12mm Phillips head bolts through the leg bracket and secure to the grill body.

Step 6

With the help of a friend, turn grill onto opposite side. Try to minimize stress on the legs and shelf. Repeat steps 2 through 5.

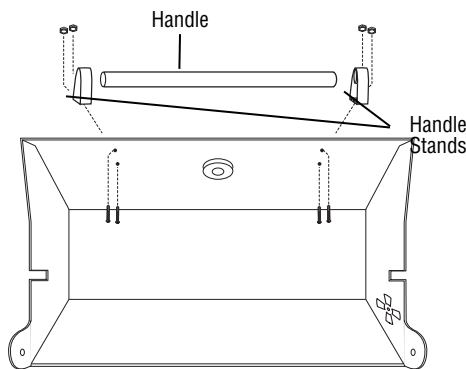
Step 7

With the help of a friend, set the unit upright. Try to minimize stress on the legs of the grill.



Step 8

Have a friend help you align holes in bottom shelf with screw holes in legs. Insert four 6 X 45mm Phillips head bolts through the legs and secure to the bottom shelf.

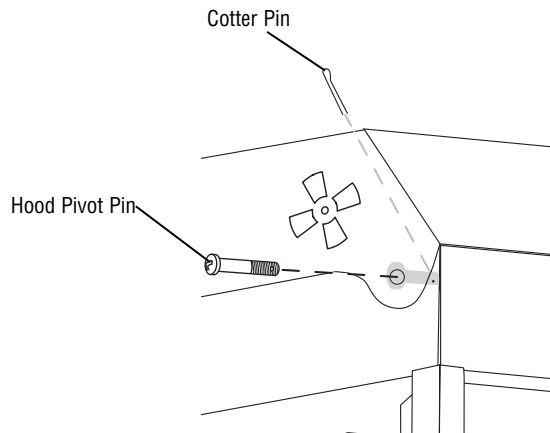


Step 9

Attach one handle stand using two 6 X 12mm Phillips head bolts and two 6 X 5mm hexagonal nuts. Next insert hood handle into handle stand. Place the other handle stand over handle and attach by using two 6 X 12mm Phillips head bolts and two 6 X 5mm hexagonal nuts.

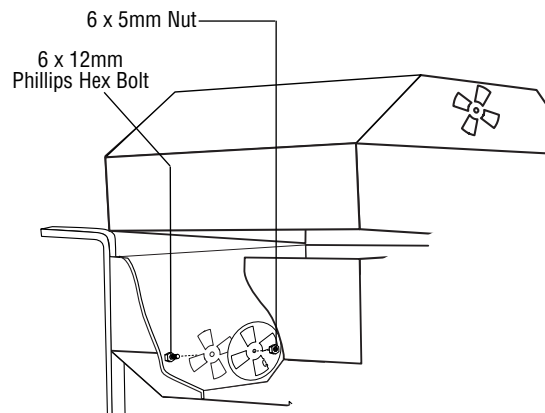
Step 10

Rest lid on the body and align hinge holes, then thread hood pivot pins through hood and into grill body. Insert cotter pins into hood pivot pins and bend ends out slightly.



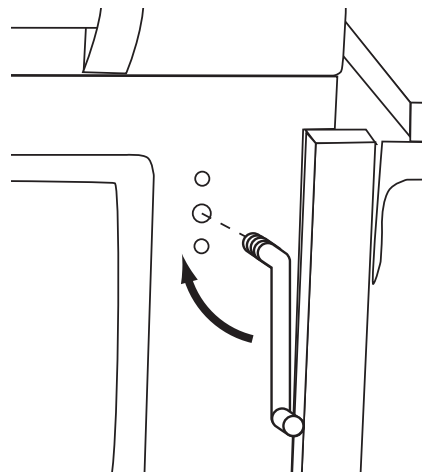
Step 11

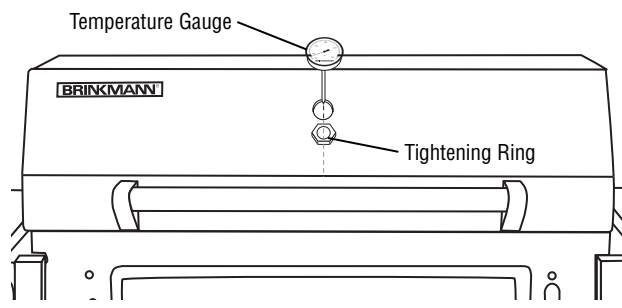
Attach two air vent covers to the inside of lid and body. Place air vent cover on the inside of the unit with the adjustment tab sticking through one of the air vent holes. Using 6 x 12mm screw and nut, secure vent cover to the unit. Do not overtighten the nut as this will make the vent difficult to open and close.



Step 12

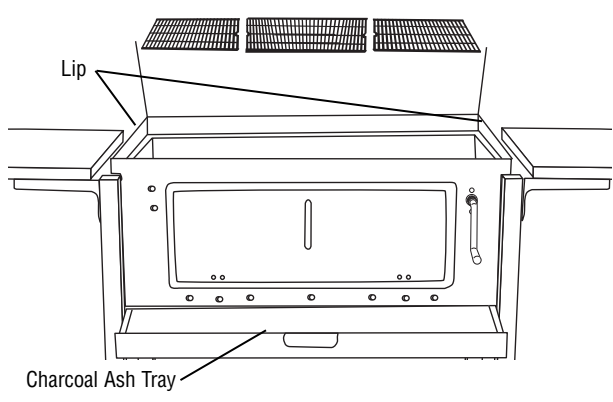
Insert crank through front of grill body and into crank bracket. Rotate clockwise until crank engages charcoal grate.





Step 13

Remove tightening ring from temperature gauge. Insert temperature gauge through the opening on front of lid, re-thread tightening ring.



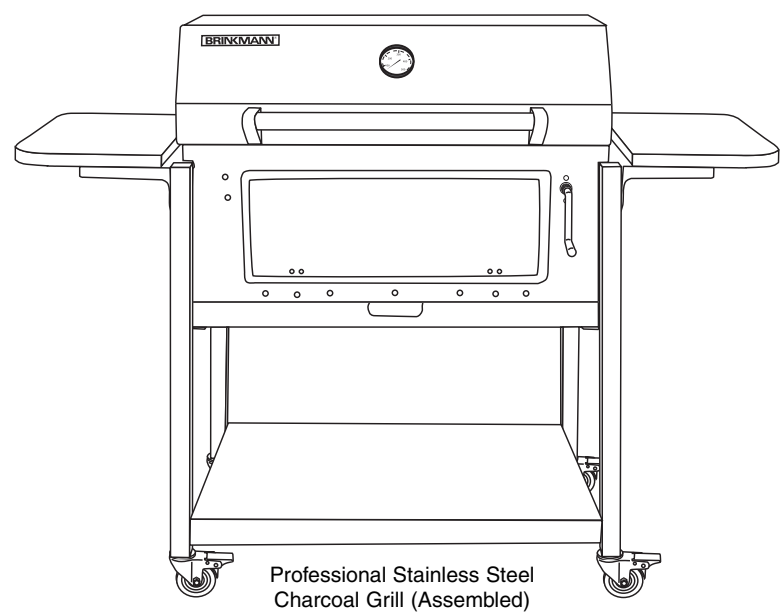
Step 14

Place cooking grills on lip of body.

Step 15

Slide charcoal ash tray into guides at bottom of grill body.

WARNING: DO NOT use grill without charcoal ash tray in place. DO NOT attempt to remove charcoal ash tray while tray contains hot coals.



PREPARATION FOR USE & LIGHTING INSTRUCTIONS

⚠️ PLACE THE GRILL OUTDOORS ON A HARD, LEVEL, NON-COMBUSTIBLE SURFACE AWAY FROM ROOF OVERHANG OR ANY COMBUSTIBLE MATERIAL. NEVER USE ON WOODEN OR OTHER SURFACES THAT COULD BURN. PLACE THE GRILL AWAY FROM OPEN WINDOWS OR DOORS TO PREVENT SMOKE FROM ENTERING YOUR HOUSE. IN WINDY WEATHER, PLACE THE GRILL IN AN OUTDOOR AREA THAT IS PROTECTED FROM THE WIND.

⚠️ READ ALL SAFETY WARNINGS AND INSTRUCTIONS CAREFULLY BEFORE OPERATING YOUR GRILL.

Curing Your Grill

Prior to your first use of the Brinkmann Professional Stainless Steel Charcoal Grill, follow the instructions below carefully to cure your grill. Curing your grill will minimize damage to the exterior finish as well as rid the grill of paint odor that can impart unnatural flavors to the first meal prepared on your Brinkmann Professional Stainless Steel Charcoal Grill.

IMPORTANT: To protect your grill from excessive rust, the unit must be properly cured and covered at all times when not in use. A cover for your Professional Stainless Steel Charcoal Grill may be ordered directly from Brinkmann by calling 800-468-5252.

Step 1

Lightly coat all interior surfaces of the Professional Stainless Steel Charcoal Grill including cooking grill with vegetable oil or vegetable oil spray. Do not coat charcoal grate or charcoal tray.

Step 2

Follow the instructions below carefully to build a fire. You may use charcoal and/or wood as fuel in the Professional Stainless Steel Charcoal Grill (see "Adding Charcoal/Wood During Cooking" section of this manual).



WARNING: Never use charcoal that has been pre-treated with lighter fluid. Use only a high grade plain charcoal or charcoal/wood mixture.



If using a Charcoal Chimney Starter, follow all manufacturer's warnings and instructions regarding the use of their product. Start with 8 to 10 pounds of charcoal. This should be enough charcoal to cook with, once the curing process has been completed. When charcoal is burning strong, carefully place hot coals in center of charcoal grate.

WARNING: DO NOT use grill without charcoal ash tray in place. DO NOT attempt to remove charcoal ash tray while tray contains hot coals.

NOTE: To extend the life of your grill, make sure that hot coals and wood do not touch the walls of grill.

IF USING CHARCOAL CHIMNEY STARTER, PROCEED TO STEP 5

If you choose to use charcoal lighting fluid, ONLY use charcoal lighting fluid approved for lighting charcoal. Do not use gasoline, kerosene, alcohol or other flammable material for lighting charcoal. Follow all manufacturer's warnings and instructions regarding the use of their product. Start with 8 to 10 pounds of charcoal. This should be enough charcoal to cook with, once the curing process has been completed. Place the charcoal in center of charcoal grate.

Step 3

Saturate charcoal with lighting fluid. With lid open wait 2 to 3 minutes to allow lighting fluid to soak into charcoal. Store charcoal lighting fluid safely away from the grill.

Step 4

With grill lid and door open, stand back and carefully light charcoal through the door. Allow to burn until covered with a light ash (approximately 20 minutes).

WARNING: Charcoal lighting fluid must be allowed to completely burn off prior to closing grill lid (approximately 20 minutes). Failure to do this could trap fumes from charcoal lighting fluid in grill and may result in a flash-fire or explosion when lid is opened.

WARNING: Wear protective gloves or oven mitts when adjusting door handle, ash tray, cooking height or air vents.

Step 5

With coals burning strong, close the lid and door. Allow the temperature to reach 225°F on the heat indicator. Maintain this temperature for 2 hours.

Step 6

Increase the temperature to 400°F on the heat indicator. This can be achieved by adding more charcoal and/or wood (see "Adding Charcoal/Wood During Cooking" section of this manual) and/or adjusting the air vents. Maintain this temperature for 1 hour then allow unit to cool completely.

NOTE: It is important that the exterior of the grill is not scraped or rubbed during the curing process.

IMPORTANT: To protect your smoker from excessive rust, the unit must be cured periodically and covered at all times when not in use. A smoker cover can be ordered directly from Brinkmann by calling 800-468-5252.

YOUR BRINKMANN PROFESSIONAL GRILL IS NOW CURED AND READY FOR USE.



OPERATING INSTRUCTIONS

⚠ PLACE THE GRILL OUTDOORS ON A HARD, LEVEL, NON-COMBUSTIBLE SURFACE AWAY FROM ROOF OVERHANG OR ANY COMBUSTIBLE MATERIAL. NEVER USE ON WOODEN OR OTHER SURFACES THAT COULD BURN. PLACE THE GRILL AWAY FROM OPEN WINDOWS OR DOORS TO PREVENT SMOKE FROM ENTERING YOUR HOUSE. IN WINDY WEATHER, PLACE THE GRILL IN AN OUTDOOR AREA THAT IS PROTECTED FROM THE WIND.

⚠ READ ALL SAFETY WARNINGS AND INSTRUCTIONS CAREFULLY BEFORE OPERATING YOUR GRILL.

Smoking

Step 1

Follow instructions below carefully to build a fire. You may use charcoal and/or wood as fuel in the Professional Stainless Steel Charcoal Grill (see "Adding Charcoal/Wood During Cooking" section of this manual).



WARNING: Never use charcoal that has been pre-treated with lighter fluid. Use only a high grade plain charcoal or charcoal/wood mixture.

If using a Charcoal Chimney Starter, follow all manufacturer's warnings and instructions regarding the use of their product. Carefully place 5 to 6 pounds of hot coals on left side of charcoal grate.



WARNING: DO NOT use grill without charcoal ash tray in place. DO NOT attempt to remove charcoal ash tray while tray contains hot coals.

NOTE: To extend the life of your grill, make sure that hot coals and wood do not touch the walls of grill or lay inside of cooking chamber under charcoal tray.

IF USING CHARCOAL CHIMNEY STARTER, PROCEED TO STEP 5

If you choose to use charcoal lighting fluid, ONLY use charcoal lighting fluid approved for lighting charcoal. Do not use gasoline, kerosene, alcohol or other flammable material for lighting charcoal. Follow all manufacturer's warnings and instructions regarding the use of their product. Place 5 to 6 pounds of charcoal on left side of charcoal grate.

Step 2

Saturate charcoal with lighting fluid. With lid open wait 2 to 3 minutes to allow lighting fluid to soak into charcoal. Store charcoal lighting fluid safely away from the grill.

Step 3

With grill lid and door open, stand back and carefully light charcoal and allow to burn until covered with a light ash (approximately 20 minutes). Charcoal lighting fluid must be allowed to completely burn off prior to closing grill lid.



WARNING: Failure to do this could trap fumes from charcoal lighting fluid in grill and may result in a flash-fire or explosion when lid is opened.

Step 4

With coals burning well, carefully add wood chunks using long cooking tongs (see "Flavoring Wood" and "Adding Charcoal/Wood During Cooking" sections of this manual.)

Step 5

Place cooking grills on grill support lips. Use charcoal grate adjuster crank to position charcoal grate to lowest level.

WARNING: Wear protective gloves or oven mitts when adjusting door handle, ash tray, cooking height or air vents.

Step 6

Place food on right side of cooking grill and close lid.

Step 7

The ideal smoking temperature is between 175°F and 250°F. For large cuts of meat, allow approximately one hour of cooking time per pound of meat. **Always use a meat thermometer to ensure food is fully cooked before removing from grill.**

Step 8

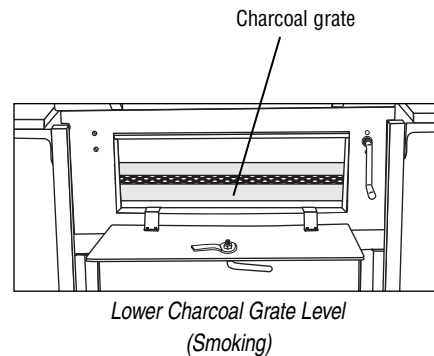
Allow grill to cool completely, then follow instructions in the "After-Use Safety" and "Proper Care & Maintenance" sections of this manual.

During the smoking process, avoid the temptation to open lid to check food. Opening the lid allows heat and smoke to escape, making additional cooking time necessary.

Food closest to the charcoal will cook and brown faster. Rotate food midway through the cooking cycle. If food is excessively browned or flavored with smoke, wrap food in aluminum foil after the first few hours of smoking. This will allow food to continue cooking without further browning or smoke flavoring.

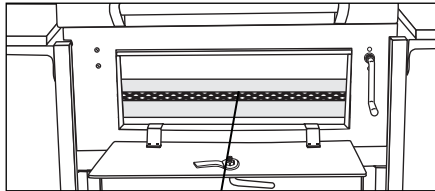
When cooking fish or extra lean cuts of meat, you may want to try water smoking to keep the food moist. Before starting a fire, place charcoal tray to lowest level. Use a flat bottom metal pan shallow enough to fit between charcoal grate and cooking grill as a water pan. Set the metal pan on charcoal grate under food and cooking grill. Fill with water or marinade until 2/3 full. **Build your fire on the opposite side of water pan.**

CAUTION: Always use oven mitts/gloves to protect your hands. Liquid in water pan will be extremely hot and can scald or burn. Always allow liquid to cool completely before handling. Do not allow liquid to completely evaporate from water pan.

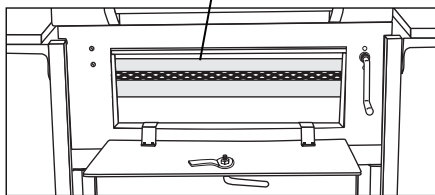


Smoke Cooking Tips

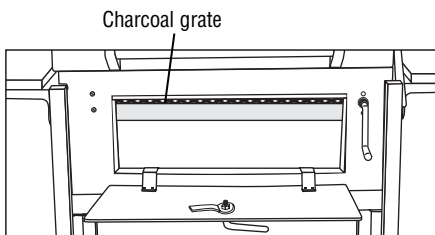
Grilling/Searing



Charcoal grate



Middle Low/Middle High Charcoal Tray Level
(Grilling)



High Charcoal Tray Level
(Searing)

Step 1

Lightly coat all interior surfaces of the Professional Stainless Steel Charcoal Grill including cooking grill with vegetable oil or vegetable oil spray. Do not coat charcoal grate or charcoal ash tray.

Step 2

Follow the instructions below carefully to build a fire. You may use charcoal and/or wood as fuel in the Professional Stainless Steel Charcoal Grill (see "Adding Charcoal/Wood During Cooking" section of this manual).



WARNING: Never use charcoal that has been pre-treated with lighter fluid. Use only a high grade plain charcoal or charcoal/wood mixture.

If using a Charcoal Chimney Starter, follow all manufacturer's warnings and instructions regarding the use of their product. Start with 8 to 10 pounds of charcoal. This should be enough charcoal to cook with, once the curing process has been completed. When charcoal is burning strong, carefully place hot coals in center of charcoal grate.



WARNING: DO NOT use grill without charcoal ash tray in place. DO NOT attempt to remove charcoal ash tray while tray contains hot coals.

NOTE: To extend the life of your grill, make sure that hot coals and wood do not touch the walls of grill.

IF USING CHARCOAL CHIMNEY STARTER, PROCEED TO STEP 5

If you choose to use charcoal lighting fluid, ONLY use charcoal lighting fluid approved for lighting charcoal. Do not use gasoline, kerosene, alcohol or other flammable material for lighting charcoal. Follow all manufacturer's warnings and instructions regarding the use of their product. Start with 8 to 10 pounds of charcoal. This should be enough charcoal to cook with, once the curing process has been completed. Place the charcoal in center of charcoal grate.

Step 3

Saturate charcoal with lighting fluid. With lid open wait 2 to 3 minutes to allow lighting fluid to soak into charcoal. Store charcoal lighting fluid safely away from the grill.

Step 4

With grill lid open, stand back and carefully light charcoal and allow to burn until covered with a light ash (approximately 20 minutes).



WARNING: Charcoal lighting fluid must be allowed to completely burn off prior to closing grill lid (approximately 20 minutes). Failure to do this could trap fumes from charcoal lighting fluid in grill and may result in a flash-fire or explosion when lid is opened.

Step 5

Place cooking grill on grill support lips. Use charcoal grate adjuster crank to position charcoal grate to desired cooking level.

WARNING: Wear protective gloves or oven mitts when adjusting door handle, ash tray, cooking height or air vents.

Step 6

Place food on cooking grill and close grill lid. **Always use a meat thermometer to ensure food is fully cooked before removing from grill.**

Step 7

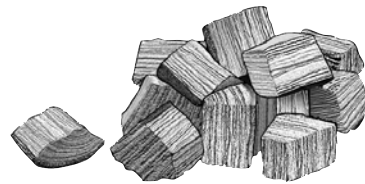
Allow grill to cool completely, then follow instructions in the "After-Use Safety" and "Proper Care & Maintenance" sections of this manual.

To obtain your favorite smoke flavor, experiment by using chunks, sticks or chips of flavor producing wood such as hickory, pecan, apple, cherry, or mesquite. Most fruit or nut tree wood may be used for smoke flavoring. Do not use resinous wood such as pine as it will produce an unpleasant taste.

Wood chunks or sticks 3" to 4" long and 1" to 2" thick work best. Unless the wood is still green, soak the wood in water for 30 minutes or wrap each piece in foil and tear several small holes in the foil to produce more smoke and prevent the wood from burning too quickly. A lot of wood is not required to obtain a good smoke flavor. A recommended amount for the Professional Stainless Steel Charcoal Grill is 5 to 6 wood chunks or sticks. Experiment by using more wood for stronger smoke flavor or less wood for milder smoke flavor.

Additional flavoring wood should not have to be added during the cooking process. However, it may be necessary when cooking very large pieces of food. Follow instructions and cautions in the "Adding Charcoal/Wood During Cooking" section of this manual to avoid injury while adding wood.

Flavoring Wood



Regulating Heat

To increase heat, more wood and/or charcoal may be needed or an adjustment to the air vents may be necessary. Follow instructions in "Adding Charcoal/Wood During Cooking" section of this manual.

To maintain the temperature, more wood and/or charcoal may need to be added or an adjustment to the air vents may be necessary during the cooking cycle.

NOTE: Dry wood burns hotter than charcoal, so you may want to increase the ratio of wood to charcoal to increase the cooking temperature. Hardwood such as oak, hickory, mesquite, fruit and nut wood are an excellent fuel because of their burning rate. When using wood as fuel, make sure the wood is seasoned and dry. **DO NOT** use resinous wood such as pine as it will produce an unpleasant taste.

Adding Charcoal/Wood During Cooking

Additional charcoal and/or wood or an adjustment to the air vents may be necessary to maintain or increase cooking temperature.

Step 1

Stand back and carefully open grill lid. Use caution since flames can flare-up when fresh air suddenly comes in contact with fire.

WARNING: Wear protective gloves or oven mitts when adjusting door handle, ash tray, cooking height or air vents.

Step 2

Use charcoal grate adjuster crank to place charcoal grate at the lowest level of cooking chamber. Open door to allow access to charcoal grate.

Step 3

Stand back a safe distance and use long cooking tongs to lightly brush aside ashes on hot coals. Use cooking tongs to add charcoal and/or wood to charcoal grate, being careful not to stir-up ashes and sparks. If necessary, use your Charcoal Chimney Starter to light additional charcoal and/or wood and add to existing fire.

WARNING: Never add charcoal lighting fluid to hot or even warm coals as flashback may occur causing severe burns.

Step 4

When charcoal is burning strong again, wear oven mitts/gloves and carefully return charcoal grate to desired cooking level.

Step 5

Close the grill lid and door. Allow food to continue cooking.

AFTER-USE SAFETY

WARNING

- Always allow grill and all components to cool completely before handling.
- Never leave coals and ashes in grill unattended. Make sure coals and ashes are completely extinguished before removing.
- Before grill can be left unattended, remaining coals and ashes must be removed from grill. Use caution to protect yourself and property. Place remaining coals and ashes in a non-combustible metal container and completely saturate with water. Allow coals and water to remain in metal container 24 hours prior to disposing.
- Extinguished coals and ashes should be placed a safe distance from all structures and combustible materials.
- With a garden hose, completely wet surface beneath and around the grill to extinguish any ashes, coals or embers which may have fallen during the cooking or cleaning process.
- Cover and store grill in a protected area away from children and pets.

Proper Care & Maintenance

- Cure your grill periodically throughout the year to protect against excessive rust.
- To protect your grill from excessive rust, the unit must be properly cured and covered at all times when not in use. A smoker cover may be ordered directly from Brinkmann by calling 800-468-5252.
- Wash cooking grill and charcoal grate with hot, soapy water, rinse well and dry. Lightly coat grill with vegetable oil or vegetable oil spray.
- Clean inside and outside of grill by wiping off with a damp cloth. Apply a light coat of vegetable oil or vegetable oil spray to the interior surface to prevent rusting. Do not coat charcoal grate or charcoal ash tray.
- If rust appears on the exterior surface of your grill, clean and buff the affected area with steel wool or fine grit emery cloth. Touch-up with a good quality high-temperature resistant paint.
- Never apply paint to the interior surface. Rust spots on the interior surface can be buffed, cleaned, then lightly coated with vegetable oil or vegetable oil spray to minimize rusting.

ADVERTENCIAS DE SEGURIDAD IMPORTANTES

⚠ DESEAMOS QUE USTED ENSAMBLE Y USE SU PARRILLA DE LA MANERA MÁS SEGURA POSIBLE.

⚠ EL PROPÓSITO DE ESTE SÍMBOLO DE ALERTA DE SEGURIDAD ES LLAMAR SU ATENCIÓN A POSIBLES PELIGROS MIENTRAS ENSAMBLA Y USA SU PARRILLA. ¡CUANDO VEA EL SÍMBOLO DE ALERTA DE SEGURIDAD ⚠, PRESTE ATENCIÓN A LA INFORMACIÓN QUE APARECE DESPUÉS!

⚠ LEA TODAS LAS ADVERTENCIAS DE SEGURIDAD E INSTRUCCIONES CUIDADOSAMENTE ANTES DE ENSAMBLAR Y UTILIZAR SU PARRILLA.

⚠ ADVERTENCIA

- Use esta parrilla únicamente en una superficie dura, nivelada, no inflamable y estable (concreto, tierra, etc.) capaz de soportar el peso de la parrilla. Nunca la use en superficies de madera ni otras que pudieran quemarse.
 - NO USE la parrilla sin la bandeja para cenizas del carbón en su lugar. NO INTENTE quitar la bandeja para cenizas del carbón mientras contenga carbón caliente.
 - Debe mantenerse una distancia apropiada de 10 pies (3 metros) entre la parrilla y material inflamable (arbustos, árboles, terrazas de madera, cercas, edificios, etc.) o construcción mientras la parrilla está en uso. No coloque la parrilla bajo algún alero de techo ni bajo otra área cerrada.
 - Para uso en exteriores únicamente. No utilice la parrilla en interiores ni en áreas cerradas.
 - Para uso en el hogar únicamente. No use esta parrilla para propósitos distintos a los indicados.
 - Recomendamos que utilice un encendedor para chimenea de carbón para evitar los peligros relacionados con los líquidos encendedores para carbón. Si decidiera usar líquido encendedor para carbón, utilice únicamente el que ha sido aprobado para encender carbón. Lea cuidadosamente las instrucciones y advertencias del fabricante en el líquido encendedor para carbón y en el carbón antes de utilizar su producto. Guarde el líquido encendedor para carbón de manera segura alejado de la parrilla.
 - Cuando utilice líquido encendedor para carbón, permita que el carbón arda con la tapa de la parrilla abierta hasta que esté cubierto por una ligera capa de ceniza (aproximadamente 20 minutos). Esto permitirá que el líquido encendedor para carbón se consuma. No hacerlo podría atrapar los vapores del líquido en la parrilla y resultar en una llamarada o explosión cuando se levante la tapa.
 - Nunca utilice carbón que haya sido previamente tratado con líquido encendedor. Utilice únicamente carbón normal de alta calidad o una mezcla de carbón/madera.
 - No utilice gasolina, queroseno ni alcohol para encender el carbón. Utilizar cualquiera de estos productos o similares podría causar una explosión que posiblemente resultará en graves lesiones corporales.
 - Nunca agregue líquido encendedor para carbón sobre carbón caliente o, incluso, tibio pues podría ocurrir una llamarada que cause serias quemaduras.
 - Coloque la parrilla en un área donde niños y mascotas no puedan entrar en contacto con la unidad. Es necesaria una atenta supervisión mientras la parrilla está en uso.
 - No deje desatendida la parrilla mientras la utiliza.
 - Tenga extrema precaución cuando agregue carbón y/o madera y siga las instrucciones que aparecen en la sección de "Para agregar carbón/madera mientras cocina" de este manual.
 - No almacene ni utilice la parrilla cerca de gasolina u otros líquidos inflamables, gases ni donde pudiera haber vapores inflamables.
 - Tenga precaución cuando ajuste la altura de la rejilla para carbón. La manija podría estar caliente cuando la usa.
- La parrilla está caliente cuando se usa. Para evitar quemaduras:
- NO INTENTE mover la parrilla.
 - Asegure las ruedecillas para que la unidad no se mueva accidentalmente.
 - Use guantes de horno protectores para ajustar el agarradero de puerta, bandeja de ceniza, para ajustar altura de cocción o las rejillas de ventilación.
 - NO TOQUE ninguna de las superficies calientes de la parrilla.
 - NO VISTA ropa floja ni permita que el cabello entre en contacto con la parrilla.

⚠ ADVERTENCIA

- Cuando esté asando, la grasa de la carne podría gotear sobre el carbón y provocar un fuego de grasa. Si esto ocurriera cierre la tapa para sofocar la llama. No use agua para extinguir fuego de grasa.
- Tenga precaución pues puede haber una llamarada cuando el aire fresco entre repentinamente en contacto con el fuego. Cuando abra la tapa, mantenga sus manos, cara y cuerpo a una distancia segura del vapor caliente y llamaradas.
- Nunca coloque más de 15 libras en las mesas laterales. No se apoye en las mesas laterales.
- No exceda una temperatura de 400°F (204°C). No permita que el carbón y/o la madera queden apoyados en las paredes de la parrilla. Hacer esto reducirá enormemente la vida útil del metal y el acabado de su parrilla.
- Tenga precaución cuando ensamble y utilice su parrilla para evitar raspones o cortaduras causados por las esquinas filosas de las partes de metal. Tenga precaución cuando alcance cosas dentro o debajo de la parrilla.
- Cuando levante la tapa, asegúrese que esté abierta totalmente. Si la tapa no está totalmente abierta, podría cerrarse de golpe y causar lesiones corporales.
- En clima ventoso, coloque la parrilla en un área de exteriores que esté protegida del viento.
- Cierre la tapa para sofocar las llamas.
- Nunca desatienda el carbón y las cenizas en la parrilla. Antes de desatender la parrilla, el carbón y las cenizas restantes deben ser quitados de la parrilla. Tenga precaución para protegerse a sí mismo y a la propiedad. Cuidadosamente, coloque el carbón y las cenizas restantes en un contenedor de metal no inflamable y sáturelos con agua por completo. Permita que el carbón y el agua permanezcan en el contenedor durante 24 horas previo a desecharlos.
- El carbón y las cenizas extinguidos deben de ser colocados a una distancia segura de todas las estructuras y materiales inflamables.
- Con una manguera de jardín, empape la superficie debajo y alrededor de la parrilla para extinguir cualesquiera cenizas, carbón o brasas que pudieran haber caído durante el proceso de cocción o limpieza.
- Después de cada uso, limpie la parrilla minuciosamente y reaplique una ligera capa de aceite al interior para prevenir la oxidación. Cubra la parrilla para protegerla de la oxidación excesiva.
- Tenga precaución cuando levante o mueva la parrilla para prevenir estirones y lesiones a su espalda.
- Le recomendamos que tenga a mano un extinguidor. Refiérase a sus autoridades locales para determinar el tamaño y tipo apropiados de extinguidor.
- El uso de accesorios no fabricados por The Brinkmann Corporation para este producto en particular no se recomienda y podría resultar en lesiones personales o daños a la propiedad.
- Guarde la parrilla fuera del alcance de los niños y en un lugar seco cuando no la esté usando.
- No intente dar otros servicios a la parrilla distintos a los normales, según como se explica en las secciones de "Seguridad para después del uso" y "Mantenimiento y cuidado adecuados" de este manual. Las reparaciones deben ser hechas únicamente por The Brinkmann Corporation.
- Deseche el material de empaque de la manera adecuada.

TENGA PRECAUCIÓN Y HAGA USO DEL SENTIDO COMÚN CUANDO UTILICE SU PARRILLA.

NO SEGUIR LAS ADVERTENCIAS DE SEGURIDAD Y LOS LINEAMIENTOS DE ESTE MANUAL PODRÍA RESULTAR EN LESIONES CORPORALES O DAÑOS A LA PROPIEDAD.

GUARDE ESTE MANUAL PARA FUTURAS REFERENCIAS.

INSTRUCCIONES DE ENSAMBLAJE

⚠ LEA TODAS LAS ADVERTENCIAS DE SEGURIDAD E INSTRUCCIONES DE ENSAMBLAJE CUIDADOSAMENTE ANTES DE ENSAMBLAR U OPERAR SU PARRILLA.

PARA PIEZAS FALTANTES, POR FAVOR LLAME A SERVICIO AL CLIENTE AL 800-527-0717.

(Se requerirá prueba de compra.)

Inspeccione el contenido de la caja para asegurarse que todas las partes estén incluidas y sin daños.

Recomendamos que dos personas trabajen juntas cuando ensamblen esta unidad.

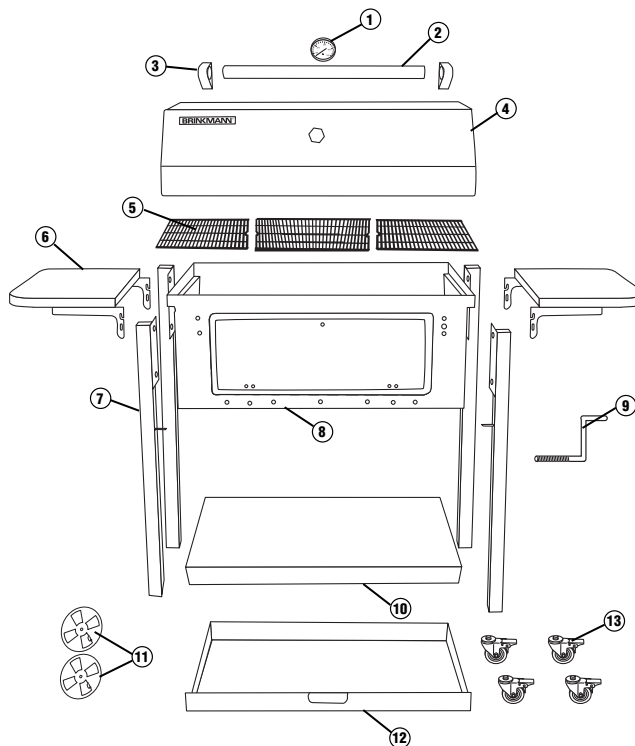
Estimado tiempo de ensamblaje para esta parrilla es aproximadamente 30 minutos.

Las siguientes herramientas son requeridas para ensamblar esta Parrilla a Carbon profesional de Acero Inoxidable:

- Alicates
- Destornilladores plano y Phillips
- Llave inglesa ajustable

LISTADO DE PIEZAS - Parrilla a Carbon profesional de Acero Inoxidable:

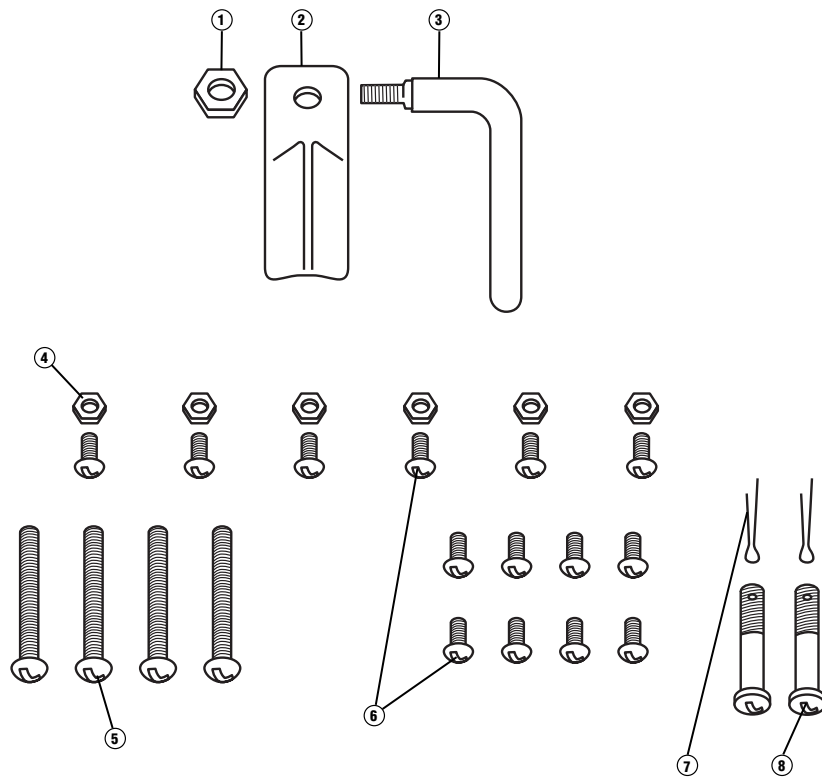
- ① 1 Indicador de Temperatura
- ② 1 Manija
- ③ 2 Soportes para Manija
- ④ 1 Tapa
- ⑤ 3 Rejillas para Cocinar
- ⑥ 2 Anaqueles Laterales
- ⑦ 4 Patas
- ⑧ 1 Alojamiento Inferior para Parrilla
- ⑨ 1 Manivela
- ⑩ 1 Anaquel Inferior
- ⑪ 2 Conductos de Ventilacion
- ⑫ 1 Bandeja para Cenizas del Carbón
- ⑬ 4 Ruedecillas de Acero



PARA CUBIERTAS, ACCESORIOS Y OTROS PRODUCTOS, FAVOR DE VISITARNOS POR LA RED MUNDIAL EN: www.brinkmann.net
 PARA PARTES DE REEMPLAZO DE PARRILLA BAJO GARANTIA, FAVOR DE VISITARNOS POR LA RED MUNDIAL EN: www.grillpartsonline.com

Contenido de la Bolsa de Piezas

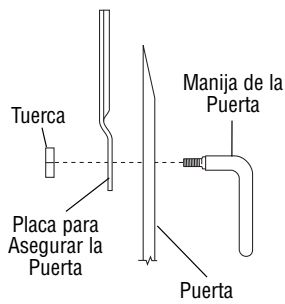
- ① 1 Tuerca hexagonal de 10 x 8mm
- ② 1 Placa para asegurar la puerta
- ③ 1 Manija de la puerta
- ④ 6 Tuercas hexagonales de 6 x 5mm
- ⑤ 4 Pernos con cabeza Phillips de 6 x 45mm
- ⑥ 14 Pernos con cabeza Phillips de 6 x 12mm
- ⑦ 2 Pasadores con aletas
- ⑧ 2 Pasadores de pivote para la tapa



Escoja un área de ensamblaje adecuada y limpia, y consiga ayuda de un amigo para armar juntos su parrilla. Ponga cartón en el suelo para proteger el acabado de la parrilla y el área de ensamblaje. Voltee la parrilla hacia un lado para empezar el ensamblaje.

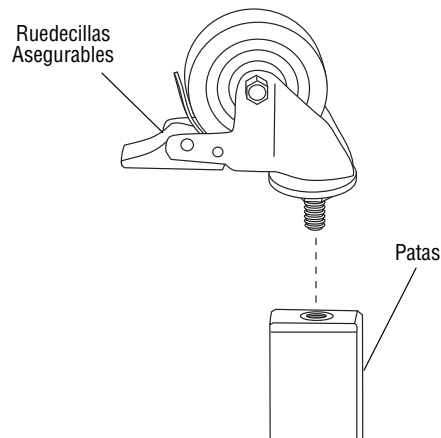
Paso 1

Inserte la manija de la puerta apuntando hacia abajo a través del agujero en la puerta. Ponga la placa para asegurar la puerta apuntando hacia arriba sobre la manija de la puerta y asegure con una tuerca hexagonal de 10 x 8mm.



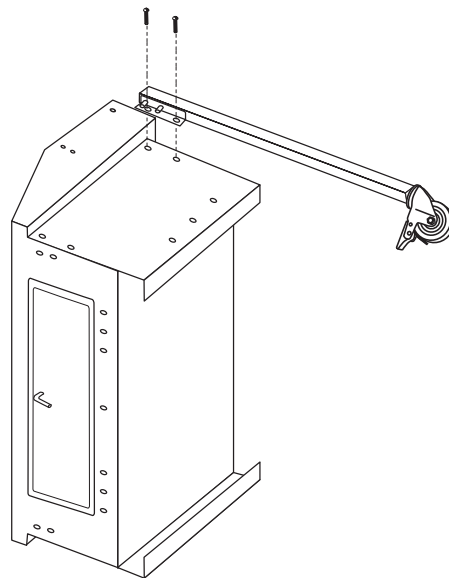
Paso 2

Fije las ruedecillas de acero en la parte inferior de cada pata. Apriete los tornillos de las ruedecillas firmemente.



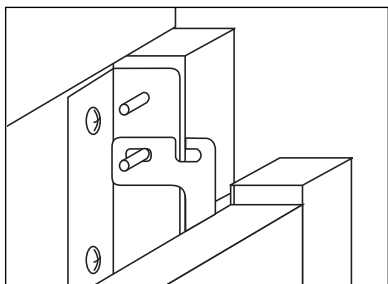
Paso 3

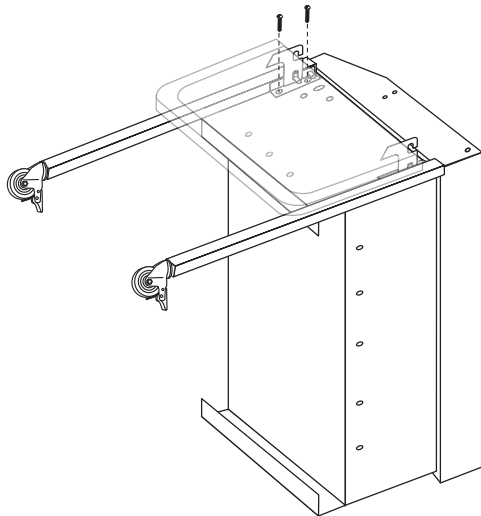
Alinee los agujeros en uno de los soportes de la pata con los agujeros en la unidad principal de la parrilla. Inserte dos pernos con cabeza Phillips de 6 x 12mm a través del soporte de la pata y asegúrelo a la unidad principal de la parrilla.



Paso 4

Cuelgue un anaquel al montante inferior de la pata que ha fijado a la unidad principal de la parrilla.

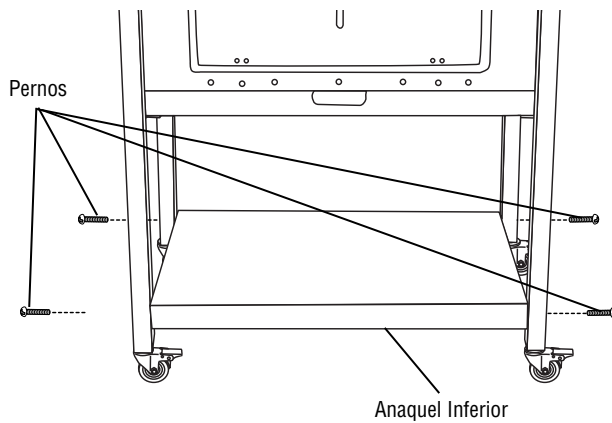


**Paso 5**

Inserte el montante inferior del soporte para la pata opuesta dentro del lado opuesto del anaquel. Alinee los agujeros en el soporte de la pata con los agujeros en la unidad principal de la parrilla. Inserte dos pernos con cabeza Phillips de 6 x 12mm a través del soporte de la pata y asegúrelo a la unidad principal de la parrilla.

Paso 6

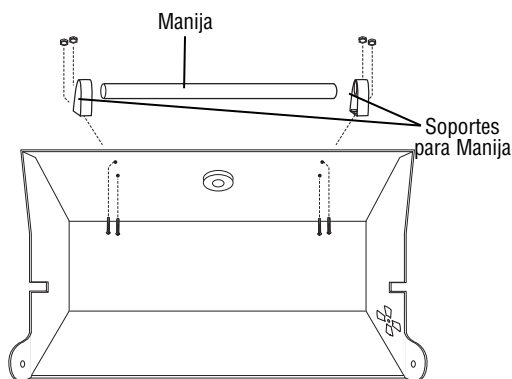
Con la ayuda de algún amigo, voltee la parrilla al lado opuesto. Trate de minimizar el estrés en las patas y el anaquel. Repita los pasos 2 al 5.

**Paso 7**

Con la ayuda de algún amigo, ponga la unidad de pie. Trate de minimizar el estrés en las patas de la parrilla.

Paso 8

Pídale a algún amigo que lo ayude a alinear los agujeros de la parte inferior del anaquel con los agujeros para tornillos en las patas. Inserte cuatro pernos con cabeza Phillips de 6 x 45mm a través de las patas y asegúrelos a la parte inferior del anaquel.

**Paso 9**

Fije un soporte para manija usando dos pernos con cabeza Phillips de 6 x 12mm y dos tuercas hexagonales de 6 x 5mm. Luego inserte la manija de la tapa dentro del soporte para manija. Coloque el otro soporte para manija sobre ésta y fíjelo usando dos pernos con cabeza Phillips de 6 x 12mm y dos tuercas hexagonales de 6 x 5mm.

Paso 10

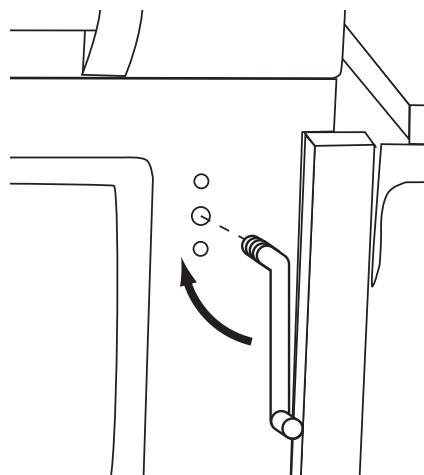
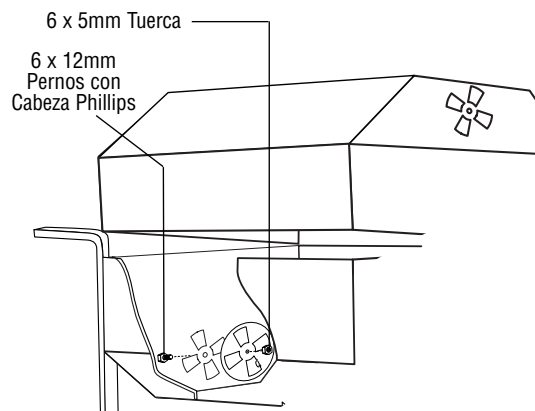
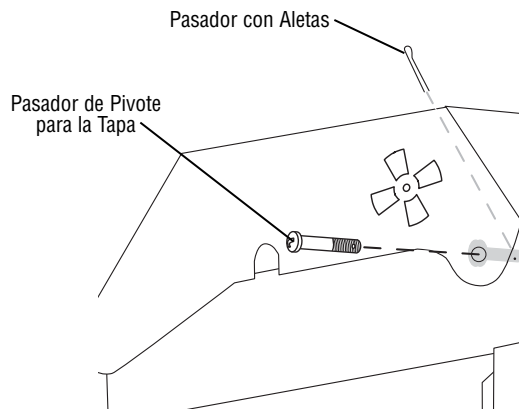
Descanse campana sobre cuerpo de parrilla y alinee hoyos de bisagra, entonces inserte alfileres de pivote de campana por la campana y el cuerpo de parrilla. Inserte chavetas en los alfileres de pivote de campana y dóblelos así afuera levemente.

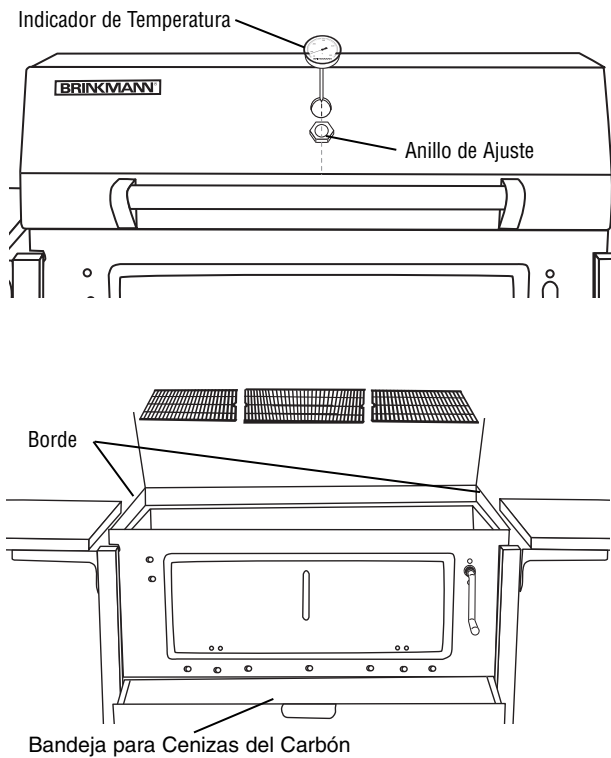
Paso 11

Conecte dos ventiladores dentro de la tapa y el cuerpo de la parrilla. Coloque la cubierta del ventilador por dentro de la parrilla con el ajustador saliendo por uno de los hoyos del ventilador. Utilice los 6 X 12 mm pernos y la tuerca, asegure la tapa del ventilador a la parrilla. No apriete demasiado o hará la abertura difícil de abrir y cerrar.

Paso 12

Inserte la manivela a través del frente de la unidad principal de la parrilla y dentro del soporte de la manivela. Rótela en sentido de las manecillas del reloj hasta que la manivela trabaje en la rejilla para carbón.





Paso 13

Quite el anillo de ajuste del indicador de temperatura. Inserte el indicador de temperatura a través de la abertura al frente de la tapa, enrosque nuevamente el anillo de ajuste.

Paso 14

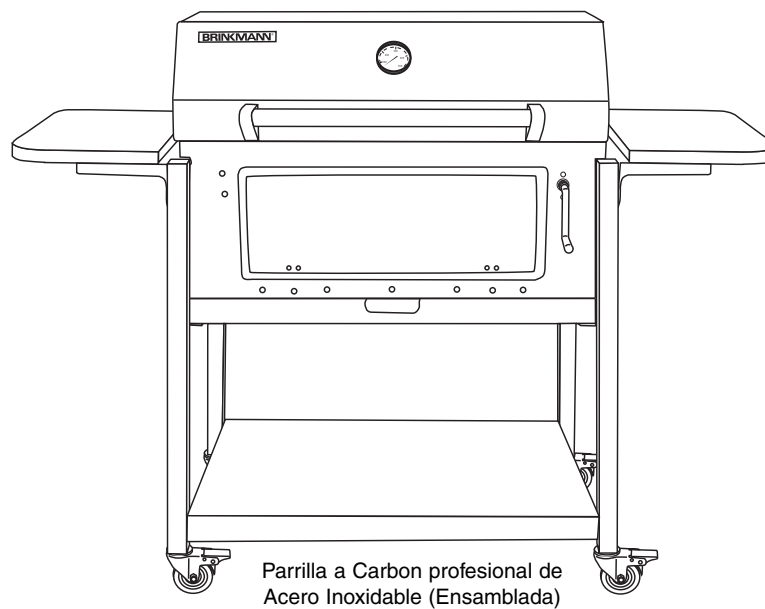
Coloque las parrillas para cocinar en el borde de la unidad principal.

Paso 15

Deslice la bandeja para cenizas del carbón dentro de las guías en la parte inferior de la unidad principal de la parrilla.

⚠ ADVERTENCIA:

NO USE la parrilla sin la bandeja para cenizas del carbón en su lugar. NO INTENTE quitar la bandeja para cenizas del carbón mientras contenga carbón caliente.



INSTRUCCIONES DE PREPARACIÓN PARA USAR Y ENCENDER

▲ COLOQUE LA PARRILLA EN EXTERIORES, EN UNA SUPERFICIE DURA, NIVELADA Y NO INFLAMABLE ALEJADA DE CUALQUIER ALERO DE TECHO O CUALQUIER OTRO MATERIAL INFLAMABLE. NUNCA USE EN SUPERFICIES DE MADERA U OTRAS QUE PUDIERAN QUEMARSE. COLOQUE LA PARRILLA LEJOS DE VENTANAS ABIERTAS O PUERTAS PARA PREVENIR QUE EL HUMO ENTRE A SU CASA. EN CLIMA VENTOSO, COLOQUE LA PARRILLA EN UN ÁREA DE EXTERIORES EN LA QUE ESTÉ PROTEGIDA DEL VIENTO.

▲ LEA TODAS LAS ADVERTENCIAS DE SEGURIDAD E INSTRUCCIONES CUIDADOSAMENTE ANTES DE UTILIZAR SU PARRILLA.

Curado de su Parrilla

Antes del primer uso de su Parrilla a Carbon profesional de Acero Inoxidable Brinkmann, siga cuidadosamente las instrucciones que aparecen abajo para el curado de su parrilla. Curar su parrilla minimizará el daño al acabado exterior así como eliminará el olor a pintura que puede impartir sabores innaturales a la primera comida que prepare en su Parrilla a Carbon profesional de Acero Inoxidable Brinkmann.

IMPORTANTE: Para proteger su parrilla de la oxidación excesiva, la unidad debe ser curada adecuadamente y cubierta todo el tiempo mientras no se use. Una cubierta para su parrilla puede ser encargada directamente de Brinkmann llamando al 800-468-5252.

Paso 1

Cubra con una ligera capa de aceite vegetal o aerosol vegetal para cocinar todas las superficies interiores de la Parrilla a Carbon profesional de Acero Inoxidable incluyendo la rejilla para cocinar. No cubra la rejilla para carbón o la bandeja para carbón.

Paso 2

Siga cuidadosamente las instrucciones que aparecen abajo para encender el fuego. Puede usar carbón y/o madera como combustible en la Parrilla a Carbon profesional de Acero Inoxidable (vea la sección "Para agregar carbón/madera mientras cocina" de este manual).



ADVERTENCIA: Nunca use carbón que haya sido tratado con líquido encendedor para carbón. Usé únicamente carbón normal de alta calidad o una mezcla de carbón/madera.

Si usa un encendedor para chimenea de carbón, siga todas las advertencias e instrucciones del fabricante con respecto al uso de su producto. Empiece con 8 a 10 libras de carbón. Esto debiera ser suficiente carbón para cocinar, una vez que se haya completado el proceso de curado. Cuando el carbón esté ardiendo con fuerza, coloque cuidadosamente el carbón caliente en el centro de la rejilla para carbón



ADVERTENCIA: NO USE la parrilla sin la bandeja para cenizas del carbón en su lugar. NO INTENTE quitar la bandeja para cenizas del carbón mientras contenga carbón caliente.

NOTA: Para extender la vida útil de su parrilla, asegúrese que el carbón y la madera calientes no toquen las paredes de la parrilla.

SI USA UN ENCEDADOR PARA CHIMENEA DE CARBÓN, PROSIGA AL PASO 5

Si decide usar líquido encendedor para carbón, use ÚNICAMENTE líquido encendedor para carbón aprobado para encender carbón. No use gasolina, queroseno, alcohol ni algún otro material inflamable para encender el carbón. Siga todas las advertencias e instrucciones del fabricante con respecto al uso de su producto. Empiece con 8 a 10 libras de carbón. Esto debiera ser suficiente carbón para cocinar, una vez que se haya completado el proceso de curado. Coloque el carbón en el centro de la rejilla para carbón.

Paso 3

Sature el carbón con líquido encendedor para carbón. Con la tapa abierta espere de 2 a 3 minutos para que el líquido sea absorbido por el carbón. Guarde el líquido encendedor para carbón de manera segura alejado de la parrilla.

Paso 4

Con la tapa de la parrilla y la puerta abiertas, aléjese y cuidadosamente encienda el carbón a través de la puerta. Permita que arda hasta que esté cubierto con una delgada capa de ceniza (aproximadamente 20 minutos).

⚠ ADVERTENCIA: Debe permitirse que el líquido encendedor para carbón se quemé completamente antes de cerrar la tapa de la parrilla. NO hacer esto podría atrapar los vapores del líquido en la parrilla y resultar en una llamarada o explosión cuando abra la tapa.

⚠ ADVERTENCIA: Use guantes de horno protectores para ajustar el agarradero de puerta, bandeja de ceniza, para ajustar altura de cocción o las rejillas de ventilación.

Paso 5

Con el carbón ardiendo fuertemente, cierre la tapa y la puerta. Permita que la temperatura llegue a 225°F (107°C) en el indicador de temperatura. Mantenga esta temperatura por 2 horas.

Paso 6

Incremente la temperatura a 400°F (204°C) en el indicador de temperatura. Esto puede lograrse agregando más carbón y/o madera (vea la sección "Para agregar carbón/madera mientras cocina" de este manual) y/o ajustando ventilador. Mantenga esta temperatura por 1 hora y luego permita que la unidad se enfríe completamente.

NOTA: Es importante que el exterior de la parrilla no sea raspado ni frotado durante el proceso de curado.

IMPORTANTE: Para proteger su ahumador de la oxidación excesiva, la unidad debe ser curada periódicamente y cubierta todo el tiempo mientras no se use. Una cubierta para ahumador puede ser encargada directamente de Brinkmann llamando al 800-468-5252.

SU PARRILLA A CARBÓN PROFESIONAL DE ACERO INOXIDABLE BRINKMANN HA QUEDADO CURADA Y ESTÁ LISTA PARA USARSE.



INSTRUCCIONES DE USO

▲ COLOQUE LA PARRILLA EN EXTERIORES, EN UNA SUPERFICIE DURA, NIVELADA Y NO INFLAMABLE ALEJADA DE CUALQUIER ALERO DE TECHO O CUALQUIER OTRO MATERIAL INFLAMABLE. NUNCA USE EN SUPERFICIES DE MADERA U OTRAS QUE PUDIERAN QUEMARSE. COLOQUE LA PARRILLA LEJOS DE VENTANAS ABIERTAS O PUERTAS PARA PREVENIR QUE EL HUMO ENTRE A SU CASA. EN CLIMA VENTOSO, COLOQUE LA PARRILLA EN UN ÁREA DE EXTERIORES EN LA QUE ESTÉ PROTEGIDA DEL VIENTO.

▲ LEA TODAS LAS ADVERTENCIAS DE SEGURIDAD E INSTRUCCIONES CUIDADOSAMENTE ANTES DE UTILIZAR SU PARRILLA.

Ahumar

Paso 1

Siga las instrucciones que aparecen abajo cuidadosamente para encender el fuego. Puede usar carbón y/o madera como combustible en la Parrilla a Carbon profesional de Acero Inoxidable (vea la sección "Para agregar carbón/madera mientras cocina" de este manual).

▲ ADVERTENCIA: Nunca use carbón que haya sido previamente tratado con líquido encendedor para carbón. Use únicamente un carbón normal de alta calidad o una mezcla de carbón/madera.

Si usa un encendedor para chimenea de carbón, siga todas las advertencias e instrucciones del fabricante con respecto al uso de su producto. Cuidadosamente coloque 5 a 6 libras de carbón caliente en el lado izquierdo de la rejilla para carbón.

▲ ADVERTENCIA: NO USE la parrilla sin la bandeja para cenizas del carbón en su lugar. NO INTENTE quitar la bandeja para cenizas del carbón mientras contenga carbón caliente.

NOTA: Para extender la vida útil de su parrilla, asegúrese que el carbón y la madera calientes no toquen las paredes de la parrilla o estén tendidos dentro de la cámara de cocción bajo la bandeja para carbón.

SI USA UN ENCENDEDOR PARA CHIMENEA DE CARBÓN, PROSIGA AL PASO 5

Si decide usar líquido encendedor para carbón, use ÚNICAMENTE líquido encendedor para carbón aprobado para encender carbón. No use gasolina, queroseno, alcohol ni algún otro material inflamable para encender el carbón. Siga todas las advertencias e instrucciones del fabricante con respecto al uso de su producto. Coloque 5 a 6 libras de carbón en el lado izquierdo de la rejilla para carbón.

Paso 2

Sature el carbón con líquido encendedor para carbón. Con la tapa abierta espere de 2 a 3 minutos para permitir que el líquido sea absorbido por el carbón. Guarde el líquido encendedor para carbón de manera segura alejado de la parrilla.

Paso 3

Con la tapa de la parrilla y la puerta abiertas, aléjese y cuidadosamente encienda el carbón y permita que arda hasta que esté cubierto con una delgada capa de ceniza (aproximadamente 20 minutos). Debe permitirse que el líquido encendedor para carbón se quemé completamente antes de cerrar la tapa de la parrilla.

▲ ADVERTENCIA: No hacer esto podría atrapar los vapores del líquido en la parrilla y resultar en una llamarada o explosión cuando abra la tapa.

Paso 4

Con el carbón ardiendo bien, agregue cuidadosamente trozos de madera usando tenazas largas para cocinar (vea las secciones "Madera saborizante" y "Para agregar carbón/madera mientras cocina" de este manual).

Paso 5

Coloque las rejillas para cocinar en los bordes de apoyo. Use la manivela para ajustar la rejilla para carbón al nivel más bajo.

ADVERTENCIA: Use guantes de horno protectores para ajustar el agarradero de puerta, bandeja de ceniza, para ajustar altura de cocción o las rejillas de ventilación.

Paso 6

Coloque la comida en el lado derecho de la parrilla para cocinar y cierre la tapa.

Paso 7

La temperatura ideal para ahumar es entre 175°F y 250°F (79.5°C y 121°C).

Para cortes grandes de carne, permita que pase aproximadamente una hora de tiempo de cocción por libra de carne. Use siempre un termómetro de carne para asegurar que la comida está completamente cocida antes de retirarla de la parrilla.

Paso 8

Permita que la parrilla se enfríe completamente, luego siga las instrucciones en las secciones de "Seguridad para después del uso" y "Mantenimiento y cuidado adecuados" de este manual.

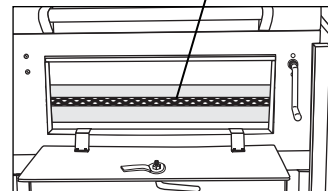
Durante el proceso de ahumado, evite la tentación de abrir la tapa para revisar la comida. Levantar la tapa permite que el calor y humo escapen, haciendo que sea necesario un mayor tiempo de cocción.

La comida más cercana al carbón se cocinará y dorará más rápido. Rote la comida a la mitad del ciclo de cocción. Si la comida está excesivamente dorada o con sabor a humo, envuelva la comida en papel de aluminio tras las primeras horas de ahumado. Esto permitirá que la comida se continúe cocinando sin dorarse más o sin adquirir más sabor a humo.

Cuando cocine pescado o cortes de carne magra, podría querer intentar ahumar con agua para mantener húmeda la comida. Antes de encender el fuego, coloque la bandeja para carbón al nivel más bajo. Use una bandeja de metal con el fondo plano, suficientemente baja, para que quepa entre la rejilla para carbón y la rejilla para cocinar, como una bandeja para agua. Ponga la bandeja de metal en la rejilla para carbón bajo la comida y la parrilla para cocinar. Llène con agua o marinada hasta que esté 2/3 llena. **Encienda el fuego en el lado opuesto a la bandeja para agua.**

PRECAUCIÓN: Use siempre mitones/guantes resistentes al calor para proteger sus manos. El líquido en la bandeja para agua estará extremadamente caliente y podría quemarle. Permita siempre que el líquido se enfríe completamente antes de manipularlo. No permita que el líquido se evapore completamente de la bandeja para agua.

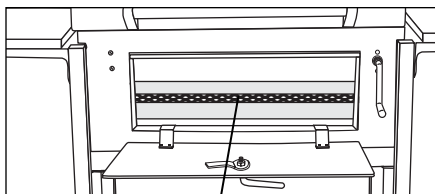
Rejilla para Carbón



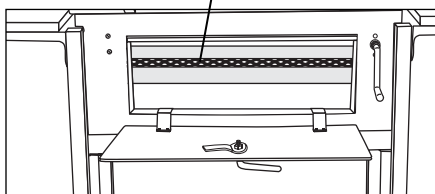
Nivel Inferior de la Rejilla para Carbón
(Ahumar)

Consejos de Cocina para Ahumar

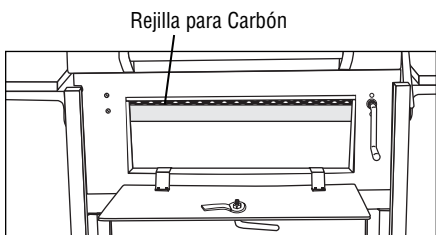
Asar/Abrasar



Rejilla para Carbón



Nivel Medio Bajo/Medio Alto de la Bandeja para Carbón (Asar)



Rejilla para Carbón

Nivel Alto de la Bandeja para Carbón (Abrasar)

Paso 1

Cubra con una ligera capa de aceite vegetal o aerosol vegetal para cocinar todas las superficies interiores de la Parrilla a Carbon profesional de Acero Inoxidable incluyendo la rejilla para cocinar. No recubra la rejilla para carbón o la bandeja para carbón.

Paso 2

Siga cuidadosamente las instrucciones que aparecen abajo para encender el fuego. Puede usar carbón y/o madera como combustible en la Parrilla a Carbon profesional de Acero Inoxidable (vea la sección "Para agregar carbón/madera mientras cocina" de este manual).



ADVERTENCIA: Nunca use carbón que haya sido tratado con líquido encendedor para carbón. Use únicamente un carbón normal de alta calidad o una mezcla de carbón/madera.

Si usa un encendedor para chimenea de carbón, siga todas las advertencias e instrucciones del fabricante con respecto al uso de su producto. Empiece con 8 a 10 libras de carbón. Esto debiera ser suficiente carbón para cocinar, una vez que se haya completado el proceso de curado. Cuando el carbón esté ardiendo con fuerza, coloque cuidadosamente el carbón caliente en el centro de la rejilla para carbón.



ADVERTENCIA: NO USE la parrilla sin la bandeja para cenizas del carbón en su lugar. NO INTENTE quitar la bandeja para cenizas del carbón mientras contenga carbón caliente.

NOTA: Para extender la vida útil de su parrilla, asegúrese que el carbón y la madera calientes no toquen las paredes de la parrilla.

SI USA UN ENCEDEDOR PARA CHIMENEA DE CARBÓN, PROSIGA AL PASO 5

Si decide usar líquido encendedor para carbón, use ÚNICAMENTE líquido encendedor para carbón aprobado para encender carbón. No use gasolina, queroseno, alcohol ni algún otro material inflamable para encender el carbón. Siga todas las advertencias e instrucciones del fabricante con respecto al uso de su producto. Empiece con 8 a 10 libras de carbón. Esto debiera ser suficiente carbón para cocinar, una vez que se haya completado el proceso de curado. Coloque el carbón en el centro de la rejilla para carbón.

Paso 3

Sature el carbón con líquido encendedor para carbón. Con la tapa abierta espere de 2 a 3 minutos para permitir que el líquido sea absorbido por el carbón. Guarde el líquido encendedor para carbón de manera segura alejado de la parrilla.

Paso 4

Con la tapa de la parrilla abierta, aléjese y cuidadosamente encienda el carbón y permita que arda hasta que esté cubierto con una delgada capa de ceniza (aproximadamente 20 minutos).



ADVERTENCIA: Debe permitirse que el líquido encendedor para carbón se quemé completamente antes de cerrar la tapa de la parrilla (aproximadamente 20 minutos). No hacer esto podría atrapar los vapores del líquido en la parrilla y resultar en una llamarada o explosión cuando abra la tapa.

Paso 5

Ponga la rejilla para cocinar en los bordes de apoyo. Use la manivela de ajuste para colocar la rejilla para carbón en el nivel deseado para cocinar.

ADVERTENCIA: Use guantes de horno protectores para ajustar el agarradero de puerta, bandeja de ceniza, para ajustar altura de cocción o las rejillas de ventilación.

Paso 6

Coloque la comida en la rejilla para cocinar y cierre la tapa de la parrilla. **Use siempre un termómetro de carne para asegurar que la comida esté completamente cocida antes de retirarla de la parrilla.**

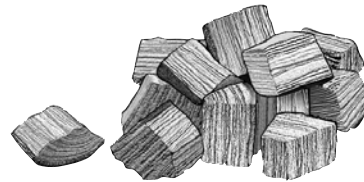
Paso 7

Permita que la parrilla se enfríe completamente, luego siga las instrucciones en las secciones de "Seguridad para después del uso" y "Mantenimiento y cuidado adecuados" de este manual.

Para conseguir su sabor ahumado favorito, experimente usando pedazos, palos y trozos de madera que produzca sabor, tal como nogal americano, pecana, manzana, cereza o mezquite. La mayoría de maderas de árboles frutales o de nueces pueden ser usadas para ahumar. No use maderas resinosas como el pino, pues producirán un sabor desagradable.

Los trozos de madera o palos de 3" a 4" (8 a 10 cm) de largo y de 1" a 2" (3 a 5 cm) de grosor funcionan mejor. Salvo que la madera aún esté verde, sumérgala en agua durante 30 minutos o envuelva cada pedazo en aluminio y abra pequeños agujeros en el aluminio para producir más humo e impedir que la madera se queme demasiado rápido. No se necesita demasiada madera para lograr un buen sabor ahumado. La cantidad recomendada para la Parrilla a Carbon profesional de Acero Inoxidable es de 5 a 6 trozos o palos. Experimente utilizando más madera para un sabor ahumado más fuerte o menos para uno más suave.

No debiera tener que agregar madera saborizante adicional durante el proceso de cocción, sin embargo, podría ser necesario cuando esté cocinando pedazos de comida muy grandes. Siga las instrucciones y precauciones en la sección "Para agregar carbón/madera mientras cocina" de este manual para evitar lesiones cuando agregue madera.

Madera Saborizante

Regulación de la Temperatura

Para Agregar Carbón/Madera Mientras Cocina

Para incrementar el calor, más madera y/o carbón podrían necesitarse y/o un ajuste del ventilador. Siga las instrucciones en la sección de "Para agregar carbón/madera mientras cocina" de este manual.

Para mantener la temperatura, podría ser necesario agregar más madera y/o carbón y/o ajustar del ventilador durante el ciclo de cocción.

NOTA: La madera seca se quema a más altas temperaturas que el carbón, así que talvez quiera incrementar la proporción entre madera y carbón para incrementar la temperatura de cocción y/o ajustando el ventilador. Maderas duras como roble, nogal americano, mezquite, de árboles frutales y de nueces son un excelente combustible por su forma de arder. Cuando use madera como combustible, asegúrese que la madera esté curada y seca. No use maderas resinosas como el pino, pues producirán un sabor desagradable.

Carbón y/o madera adicional y/o ajustando el ventilador podrían ser necesarios para mantener o incrementar la temperatura de cocción.

Paso 1

Aléjese y cuidadosamente abra la tapa de la parrilla. Tenga precaución pues puede haber una llamarada cuando el aire fresco entre repentinamente en contacto con el fuego.

ADVERTENCIA: Use guantes de horno protectores para ajustar el agarradero de puerta, bandeja de ceniza, para ajustar altura de cocción o las rejillas de ventilación.

Paso 2

Use la manivela que ajusta la rejilla para carbón para colocar la rejilla para carbón en el nivel más bajo de la cámara de cocción. Abra la puerta para permitir el acceso a la rejilla para carbón.

Paso 3

Párese a una distancia segura y use tenazas largas para cocinar para sacudir ligeramente las cenizas del carbón. Use las tenazas para agregar carbón y/o madera a la rejilla para carbón, teniendo cuidado de no levantar las cenizas y causar chispas. Si es necesario, use su encendedor para chimenea de carbón para encender el carbón y/o madera adicional y agréguelo al fuego existente.

ADVERTENCIA: Nunca agregue líquido encendedor para carbón sobre carbón caliente o, incluso, tibio, pues puede ocurrir una llamarada que cause serias quemaduras.

Paso 4

Cuando el carbón esté ardiendo con fuerza nuevamente, use mitones/guantes resistentes al calor y cuidadosamente regrese la rejilla para carbón al nivel deseado para cocinar.

Paso 5

Cierre la tapa de la parrilla y la puerta. Permita que la comida se siga cocinando.

SEGURIDAD PARA DESPUÉS DEL USO

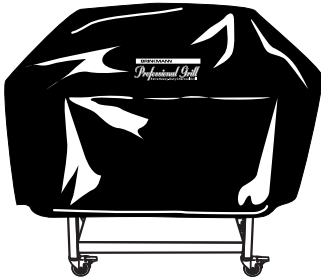
⚠ ADVERTENCIA

- Siempre permita que la parrilla y sus partes se enfríen completamente antes de manipularlos.
- Nunca desatienda el carbón y las cenizas en la parrilla. Asegúrese que el carbón y las cenizas se hayan extinguido completamente antes de quitarlos.
- Antes de desatender la parrilla, el carbón y las cenizas restantes deben ser quitados de la parrilla. Tenga precaución para protegerse a sí mismo y a la propiedad. Coloque el carbón y las cenizas restantes en un contenedor de metal no inflamable y sáturelos con agua por completo. Permita que el carbón y el agua permanezcan en el contenedor durante 24 horas previo a desecharlos.
- El carbón y las cenizas extinguidos deben de ser colocados a una distancia segura de todas las estructuras y materiales inflamables.
- Con una manguera de jardín, empape la superficie debajo y alrededor de la parrilla para extinguir cualesquiera cenizas, carbón o brasas que pudieran haber caído durante los procesos de cocción o limpieza.
- Cubra y guarde la parrilla en un área protegida, fuera del alcance de niños y mascotas.

Mantenimiento y Cuidado Adecuados

- Cure su parrilla periódicamente durante todo el año para protegerla contra el óxido excesivo.
- Para proteger su parrilla del óxido excesivo, la unidad debe estar adecuadamente curada y cubierta todo el tiempo cuando no esté en uso. Una cubierta para ahumador puede ser encargada directamente de Brinkmann llamando al 800-468-5252.
- Lave las rejillas para cocinar y rejilla para carbón con agua jabonosa caliente, enjuáguelas bien y séquelas. Cubra la parrilla con una ligera capa de aceite vegetal o aerosol vegetal para cocinar.
- Limpie el interior y exterior de la parrilla con un trapo húmedo. Aplique una ligera capa de aceite vegetal o aerosol vegetal para cocinar a la superficie interior para prevenir la oxidación. No cubra la rejilla para carbón o la bandeja para cenizas del carbón.
- Si apareciera óxido en la superficie exterior de su parrilla, limpie y pule la superficie con lana de acero o con una tela de grano fino para esmerilar. Retoque con una buena pintura resistente a temperaturas altas.
- Nunca aplique pintura a la superficie interior. Las manchas de óxido en el interior pueden ser pulidas, limpiadas y luego cubiertas con una ligera capa de aceite vegetal o aerosol vegetal para cocinar para minimizar el óxido.

ACCESSORIES

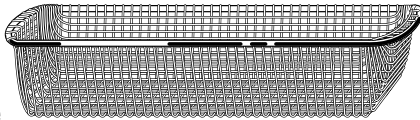


Professional Stainless Steel Charcoal Grill Cover

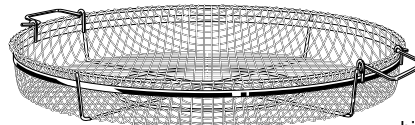
Our heavy-duty, durable vinyl cover with felt backing provides years of protection for Brinkmann Professional Stainless Steel Charcoal Grill. This top-of-the-line cover comes with closure strips at both ends to prevent cover from slipping or blowing off. Black.
Model 812-3214-0

Meatloaf Basket

The unique basket weave prevents meatloaf from falling through the grill while allowing smoke, steam and heat to flow into the food. Also, provides a convenient method for lifting your meatloaf in and out of the smoker.



Model 400-0073-0



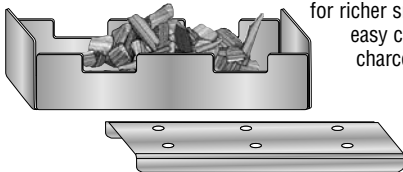
Smoker Basket

The unique basket weave prevents food from falling through the grill while allowing smoke, steam and heat to flow into the food. Great for fish, shrimp, vegetables and hors d'oeuvres. Also, provides a convenient method for lifting food in and out of the smoker. Great for large cuts of meat such as turkeys and roasts.

Model 400-0074-0

Stainless Steel Wood Chip Smoking Box

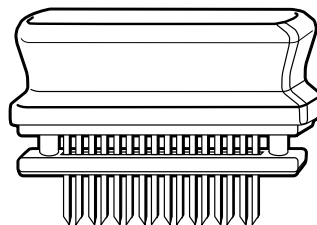
Rugged stainless steel smoking box allows wood chips to burn longer for richer smoke flavor and provides easy cleanup of ashes. Ideal for charcoal, electric, gas smokers and grills.



Model 812-3311-0

Meat Tenderizing Machine

The Jaccard Meat Tenderizing Machine's Stainless Steel blades penetrate meat in a single stroke. Easy to use with one hand. This tenderizer makes any cut



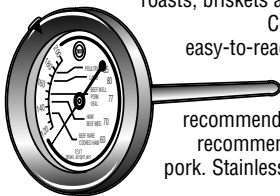
of meat unbelievably tender and allows marinade and smoke to penetrate deeply into meat. Also reduces cooking time and helps retain flavorful juices. Made from ABS plastic with stainless steel blades. Completely dishwasher safe. Protective cover included.

**16 Blade Tenderizer
 Model 812-5016-0**

**48 Blade Tenderizer
 Model 812-5048-0**

Commercial-Quality Meat Thermometer

An essential tool when cooking all types of meat. Get perfectly smoked roasts, briskets and turkeys without cutting into the meat.



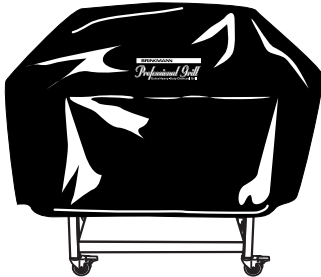
Commercial-quality thermostat features an easy-to-read 2 3/4" dial with a 5 1/2" stem. Features Fahrenheit and Centigrade readings and National Livestock and Meat Board recommended temperatures. Also features the newly recommended 170°F internal temperature for fresh pork. Stainless steel construction and dishwasher safe.

Model 812-4100-0

LOOK FOR THESE AND OTHER BRINKMANN ACCESSORIES AT YOUR LOCAL RETAILER WHERE SMOKERS ARE SOLD, OR ORDER DIRECT BY CALLING 800-468-5252.

www.brinkmann.net

ACCESORIOS



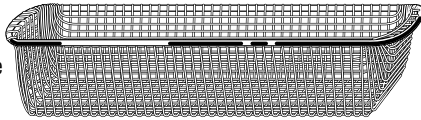
Cubierta para parrilla y ahumador profesional

Nuestra duradera cubierta de vinilo para trabajo pesado, con felpa por dentro, provee años de protección para la Parrilla a Carbon profesional de Acero Inoxidable Brinkmann. Esta cubierta de primera viene con tiras para cerrarla en ambos lados para prevenir que la cubierta se resbale o se vuele. Negra.

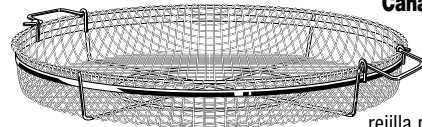
Modelo 812-3214-0

Canasto para pastel de carne (Meatloaf Basket)

El tejido especial de este canasto evita que el pastel de carne se caiga de la rejilla mientras permite que el humo, vapor y calor pasen hacia la comida. También provee un conveniente método para levantar su pastel de carne para así meterlo o sacarlo del ahumador.



Modelo 400-0073-0



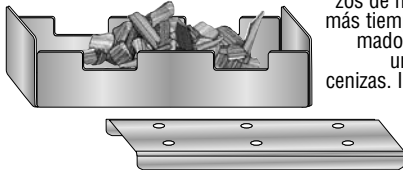
Canasto para ahumar (Smoker Basket)

El tejido especial de este canasto evita que la comida se caiga de la rejilla para cocinar, mientras permite que el humo, vapor y calor pasen hacia la comida. Es excelente para pescado, camarones, vegetales y aperitivos. También provee un conveniente método para levantar la comida para así meterla o sacarla del ahumador. Grandioso para los cortes de carne más grandes tales como pavos y asados.

Modelo 400-0074-0

Caja ahumadora de acero inoxidable para trozos de madera

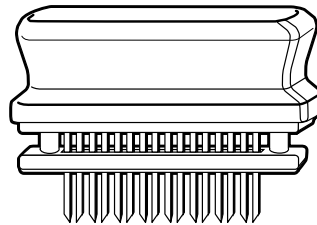
Una sólida caja ahumadora de acero inoxidable permite que los trozos de madera se quemen por más tiempo para un sabor ahumado más intenso y provee una fácil limpieza de las cenizas. Ideal para ahumadores y parrillas de carbón, eléctricos y de gas.



Modelo 812-3311-0

Máquina suavizadora de carne

Las cuchillas de acero inoxidable de la máquina suavizadora de carne Jaccard penetran la carne de un solo tajo. Fácil de usar con una sola mano. Esta suavizadora hace que cualquier corte de carne sea increíblemente suave y permite que la marinada y el humo penetren profundamente en la carne. También reduce el tiempo de cocción y ayuda a retener los sabrosos jugos. Hecha de plástico ABS con cuchillas de acero inoxidable.



Totalmente segura para usar en lavaplatos. Cubierta protectora incluida.

Suavizadora con 16 cuchillas

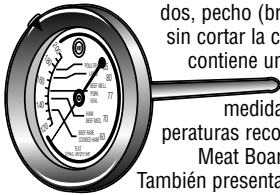
Modelo 812-5016-0

Suavizadora con 48 cuchillas

Modelo 812-5048-0

Termómetro para carne de calidad comercial

Un instrumento esencial para cocinar todo tipo de carnes. Obtenga asados, pecho (brisket) y pavos perfectamente ahumados sin cortar la carne. El termostato de calidad comercial contiene un dial de 2 3/4" (5.1 cm) fácil de leer con una vara de 5 1/2" (14 cm). Contiene medidas en fahrenheit y centígrados y las temperaturas recomendadas por la National Livestock and Meat Board (Junta Nacional de Ganado y Carnes). También presenta la temperatura interna de 170°F (77°C) recientemente recomendada para puerco. Está fabricado con acero inoxidable y es seguro para lavarse en lavaplatos.



Modelo 812-4100-0

BUSQUE ESTOS Y OTROS ACCESORIOS BRINKMANN EN SU FERRETERÍA O ALMACÉN LOCAL DONDE SE VENDAN AHUMADORES O PARRILLAS, O PÍDALOS DIRECTAMENTE LLAMANDO AL 800-468-5252.

www.brinkmann.net

FOR COVERS, ACCESSORIES AND OTHER PRODUCTS, PLEASE VISIT US ONLINE AT:

www.brinkmann.net

FOR GRILL WARRANTY REPLACEMENT PARTS, PLEASE VISIT US AT:

www.grillpartsonline.com

PARA CUBIERTAS, ACCESORIOS Y OTROS PRODUCTOS, FAVOR DE VISITARNOS POR LA RED MUNDIAL EN: www.brinkmann.net

PARA PARTES DE REEMPLAZO DE PARRILLA BAJO GARANTIA, FAVOR DE VISITARNOS POR LA RED MUNDIAL EN: www.grillpartsonline.com

ONE YEAR LIMITED WARRANTY

For one year from date of purchase, The Brinkmann Corporation warrants the Professional Stainless Steel Charcoal Grill against defects due to workmanship or materials to the original purchaser. The Brinkmann Corporation's obligations under this warranty are limited to the following guidelines:

- This warranty does not cover grills that have been altered/modified or damaged due to: normal wear, rust, abuse, improper maintenance and/or improper use.
- This warranty does not cover surface scratches or heat damage to the finish, which is considered normal wear.
- The Brinkmann Corporation may elect to repair or replace damaged units covered by the terms of this warranty.
- This warranty extends to the original purchaser only and is not transferable or assignable to subsequent purchasers.

The Brinkmann Corporation requires reasonable proof of purchase. Therefore, we strongly recommend that you retain your sales receipt or invoice. To obtain replacement parts for your Professional Stainless Steel Charcoal Grill under the terms of this warranty, please call Customer Service Department at 800-527-0717. **A receipt will be required.** The Brinkmann Corporation will not be responsible for any cookers forwarded to us without prior authorization. Professional Stainless Steel Charcoal Grill must be returned to the original place of purchase for replacement of the unit.

EXCEPT AS ABOVE STATED, THE BRINKMANN CORPORATION MAKES NO OTHER EXPRESS WARRANTY.

THE IMPLIED WARRANTIES OF MERCHANTABILITY AND FITNESS FOR A PARTICULAR PURPOSE ARE LIMITED IN DURATION TO ONE YEAR FROM THE DATE OF PURCHASE. SOME STATES DO NOT ALLOW LIMITATIONS ON HOW LONG AN IMPLIED WARRANTY LASTS, SO THE ABOVE LIMITATION MAY NOT APPLY TO YOU.

ANY LIABILITY FOR INDIRECT, INCIDENTAL OR CONSEQUENTIAL DAMAGES ARISING FROM THE FAILURE OF THE PROFESSIONAL STAINLESS STEEL CHARCOAL GRILL TO COMPLY WITH THIS WARRANTY OR ANY IMPLIED WARRANTY IS EXCLUDED. CUSTOMER ACKNOWLEDGES THAT THE PURCHASE PRICE CHARGED IS BASED UPON THE LIMITATIONS CONTAINED IN THE WARRANTY SET OUT ABOVE. SOME STATES DO NOT ALLOW THE EXCLUSION OR LIMITATION OF INCIDENTAL OR CONSEQUENTIAL DAMAGES, SO THE ABOVE LIMITATION OR EXCLUSION MAY NOT APPLY TO YOU. THIS WARRANTY GIVES YOU SPECIFIC LEGAL RIGHTS, AND YOU MAY ALSO HAVE OTHER RIGHTS WHICH VARY FROM STATE TO STATE.

GARANTÍA LIMITADA DE UN AÑO

Por un año a partir de la fecha de compra, The Brinkmann Corporation garantiza la Parrilla a Carbon Profesional de Acero Inoxidable contra defectos debidos a la mano de obra o materiales, al comprador original. Las obligaciones de The Brinkmann Corporation bajo esta garantía están limitadas a los siguientes lineamientos:

- Esta garantía no cubre parrillas que han sido alteradas/modificadas o dañadas debido al: desgaste ordinario, óxido, abuso, mantenimiento inapropiado y/o uso inapropiado.
- Esta garantía no cubre rayones en la superficie ni daño al acabado provocado por el calor, el cual es considerado desgaste ordinario.
- The Brinkmann Corporation puede elegir reparar o reemplazar unidades dañadas cubiertas bajo los términos de esta garantía.
- Esta garantía se extiende al comprador original únicamente y no es cedible ni asignable a compradores subsecuentes.

The Brinkmann Corporation requiere una prueba de compra razonable. Por lo tanto le recomendamos fuertemente que **conservar su recibo o factura**. Para obtener piezas de reemplazo para su Parrilla a Carbon Profesional de Acero Inoxidable conforme a los términos de esta garantía, por favor llame al Departamento de Servicio al Cliente al 800-527-0717. Un recibo será necesario. The Brinkmann Corporation no se hará responsable por cualquier parrilla que le sea remitida sin autorización previa. La Parrilla a Carbon Profesional de Acero Inoxidable debe ser devuelta al lugar original de la compra para el reemplazo de la unidad.

SALVO EN CUANTO A LO ANTERIORMENTE INDICADO, THE BRINKMANN CORPORATION NO HACE OTRA GARANTÍA EXPRESA.

LAS GARANTÍAS IMPLÍCITAS DE CALIDAD E IDONEIDAD PARA UN FIN CONCRETO ESTÁN LIMITADAS EN DURACIÓN A UN AÑO A PARTIR DE LA FECHA DE COMPRA. ALGUNOS ESTADOS NO PERMITEN LIMITACIONES EN CUANTO AL TIEMPO DE DURACIÓN DE UNA GARANTÍA IMPLÍCITA, POR LO QUE LA ANTERIOR LIMITACIÓN PODRÍA NO APLICARLE A USTED.

CUALQUIER RESPONSABILIDAD POR DAÑOS INDIRECTOS, INCIDENTALES O EMERGENTES RESULTANTE DE FALLAS DE LA PARRILLA A CARBON PROFESIONAL DE ACERO INOXIDABLE PARA CUMPLIR CON ESTA GARANTÍA O CUALQUIER GARANTÍA IMPLÍCITA QUEDA EXCLUIDA. EL CONSUMIDOR ACEPTA QUE EL PRECIO DE COMPRA ESTÁ BASADO EN LAS LIMITACIONES CONTENIDAS EN LA GARANTÍA ESTABLECIDA ARRIBA. ALGUNOS ESTADOS NO PERMITEN LA EXCLUSIÓN NI LIMITACIÓN DE LOS DAÑOS INCIDENTALES O EMERGENTES, ASÍ QUE LA LIMITACIÓN O EXCLUSIÓN QUE APARECE ARRIBA PODRÍA NO APLICARLE A USTED. ESTA GARANTÍA LE DA A USTED DERECHOS LEGALES ESPECÍFICOS, Y USTED TAMBIÉN PODRÍA TENER OTROS DERECHOS QUE VARIAN DE ESTADO A ESTADO.

140-3214-S
5/07

©2007 The Brinkmann Corporation
Dallas, Texas 75244 U.S.A
www.brinkmann.net

Owner's Manual for Model
Manual del Propietario para el Modelo
810-3214-S

Free Manuals Download Website

<http://myh66.com>

<http://usermanuals.us>

<http://www.somanuals.com>

<http://www.4manuals.cc>

<http://www.manual-lib.com>

<http://www.404manual.com>

<http://www.luxmanual.com>

<http://aubethermostatmanual.com>

Golf course search by state

<http://golfingnear.com>

Email search by domain

<http://emailbydomain.com>

Auto manuals search

<http://auto.somanuals.com>

TV manuals search

<http://tv.somanuals.com>