

BRINKMANN®

Southgate Heavy-Duty Natural Gas Grill Gril Résistant de Gaz Naturel

OWNER'S MANUAL / NOTICE D'UTILISATION

**ASSEMBLY AND OPERATING INSTRUCTIONS
INSTRUCTIONS D'ASSEMBLAGE ET D'UTILISATION**

**SAVE THIS MANUAL FOR FUTURE REFERENCE
CONSERVER CETTE NOTICE POUR RÉFÉRENCE**

NOTICE TO INSTALLER:

LEAVE THESE INSTRUCTIONS
WITH THE GRILL OWNER FOR
FUTURE REFERENCE.

AVIS À L'INSTALLATEUR:

REMETTRE CETTE NOTICE AU
PROPRIÉTAIRE POUR QU'IL
PUISSE S'Y RÉFÉRER PLUS
TARD.

WARNING/AVERTISSEMENT


HAZARDOUS EXPLOSION MAY RESULT IF THESE WARNINGS AND INSTRUCTIONS ARE
IGNORED. READ AND FOLLOW ALL WARNINGS AND INSTRUCTIONS IN THIS MANUAL
TO AVOID PERSONAL INJURY, INCLUDING DEATH OR PROPERTY DAMAGE.

UNE EXPLOSION DANGEREUSE RISQUE DE SE PRODUIRE SI CES
AVERTISSEMENTS ET INSTRUCTIONS SONT IGNORÉS. LIRE ET RESPECTER TOUS
LES AVERTISSEMENTS ET INSTRUCTIONS DE CETTE NOTICE POUR ÉVITER DES
BLESSURES GRAVES, VOIRE MORTELLES, OU DES DÉGÂTS MATÉRIELS.





IMPORTANT SAFETY WARNINGS

WE WANT YOU TO ASSEMBLE AND USE YOUR GRILL AS SAFELY AS POSSIBLE. THE PURPOSE OF THIS SAFETY ALERT SYMBOL  IS TO ATTRACT YOUR ATTENTION TO POSSIBLE HAZARDS AS YOU ASSEMBLE AND USE YOUR GRILL.

WHEN YOU SEE THE SAFETY ALERT SYMBOL  PAY CLOSE ATTENTION TO THE INFORMATION WHICH FOLLOWS!

 READ ALL SAFETY WARNINGS AND INSTRUCTIONS CAREFULLY BEFORE ASSEMBLING AND OPERATING YOUR GRILL.

DANGER

IF YOU SMELL GAS:

1. Shut off gas to the appliance.
2. Extinguish any open flame.
3. Open Lid.
4. If odor continues, keep away from the appliance and immediately call your gas supplier or your fire department.

WARNING

1. DO NOT store or use gasoline or other flammable liquids or vapors in the vicinity of this or any other appliance.
2. An LP cylinder not connected for use shall not be stored in the vicinity of this or any other appliance.

DANGER



- DO NOT store a spare LP gas cylinder under or near this appliance.
- Never fill the cylinder beyond 80% full.
- A fire causing death or serious injury may occur if the above is not followed exactly.

TABLE OF CONTENTS

General Warnings	3
Connecting Natural Gas and Hose to Grill	4–5
Leak Testing	6–7
Pre-start Check List	7
Lighting Instructions	8–9
Operating Grill and Helpful Hints	10–12
Proper Care and Maintenance	12–14
Transporting and Storage	14–15
Trouble Shooting	15
Frequently Asked Questions	16–17
Parts List and Assembly Instructions	18–29
Warranty Information	Back Cover

⚠ DANGER: Indicates an imminently hazardous situation which, if not avoided, will result in death or serious injury.

⚠ WARNING: Be alert to the possibility of serious bodily injury if the instructions are not followed. Be sure to read and carefully follow all of the messages.

⚠ CAUTION: Indicates a potentially hazardous situation which, if not avoided, may result in minor or moderate injury.

FOR COVERS, ACCESSORIES AND OTHER PRODUCTS, PLEASE VISIT US ONLINE AT:

www.brinkmann.net

FOR GRILL WARRANTY REPLACEMENT PARTS, PLEASE VISIT US AT:

www.grillpartsonline.com

GENERAL WARNINGS

⚠ WARNING

- Never use liquid propane gas (LP) in a unit designed for natural gas.
- Never use charcoal briquets or lighter fluid in a gas grill.
- Leak test all connections before first use, even if grill was purchased fully assembled and after each time the hose is connected to the natural gas supply.
- Never check for leaks using a match or open flame.

⚠ CAUTION! Strong odors, colds, sinus congestion, etc. may prevent the detection of natural gas. Use caution and common sense when testing for leaks.

- Always keep gasoline, paint thinner, or other flammable liquids or combustible materials away from your gas grill.
- DO NOT store flammable products: paper towels, rags, pot holders, etc. in tool drawer.
- Always check the grill prior to each use as indicated in the "Pre-Start Check List" section of this manual.
- Keep children and pets away from hot grill. DO NOT allow children to use or play near this grill.
- DO NOT leave the grill unattended while in use.
- DO NOT allow the gas hose to come in contact with hot surfaces.
- DO NOT allow grease from drain hole to fall on hose.
- Keep any electrical supply cords away from water or heated surfaces.
- Keep a fire extinguisher on hand acceptable for use with gas products. Refer to your local authority to determine proper size and type.
- Never place more than 15 pounds on the side burner. DO NOT lean on the side burner shelf.
- For household use only. DO NOT use this grill for anything other than its intended purpose.
- DO NOT use while under the influence of drugs or alcohol.
- Grill is hot when in use. To avoid burns:
 - DO NOT attempt to move the grill.
 - Lock the wheels so the unit does not accidentally move.
 - Wear protective gloves or oven mitts.
 - DO NOT touch any hot grill surfaces.
 - DO NOT wear loose clothing or allow hair to come in contact with grill.

⚠ USE CAUTION AND COMMON SENSE WHEN OPERATING YOUR GAS GRILL. FAILURE TO ADHERE TO THE SAFETY WARNINGS AND GUIDELINES IN THIS MANUAL COULD RESULT IN SEVERE BODILY INJURY OR PROPERTY DAMAGE.

SAVE THIS MANUAL FOR FUTURE REFERENCE.

⚠ WARNING

- **FOR OUTDOOR USE ONLY. DO NOT** operate indoors or in an enclosed area such as a garage, shed or breezeway.
- Use your grill **OUTDOORS** in a well ventilated space away from dwellings or other buildings to prevent dangers associated with gas accumulation and toxic vapors. We recommend your grill be situated at least 10 feet (3.1 m) from buildings. Not adhering to these clearances will prevent proper ventilation and may increase the risk of a fire and/or property damage, which could also result in personal injury.
- Maintain a minimum clearance of 36 inches (91 cm) between all sides of grill, deck railings, walls or other combustible material. **DO NOT** use grill under overhead unprotected combustible construction.
- **DO NOT** use or install this grill in or on a recreational vehicle and/or boat.

⚠ WARNING

- **DO NOT** use hard metal piping of any kind to connect this type of grill to a natural gas source. Use only hose specified by manufacturer. Using hard metal piping or convoluted metal tubing is an unsafe practice. Movement of the grill can cause breakage of metal pipe.
- The appliance and its individual shut off valve must be disconnected from the gas supply piping system during any pressure testing of that system at test pressures in excess of 1/2 psi (3.5 kPa).
- The appliance must be isolated from the gas supply piping system by closing its individual manual shut off valve during any pressure testing of the gas supply piping system at test pressure equal to or less than 1/2 psi (3.5 kPa).
- This grill is designed for natural gas use at 7 inch water column supply pressure. Verify supply pressure with your local gas company. Not for use with LP gas.
- Connections to gas source must be performed by a certified plumber.

INSTALLATION INFORMATION:

The installation of this appliance must be in accordance with:

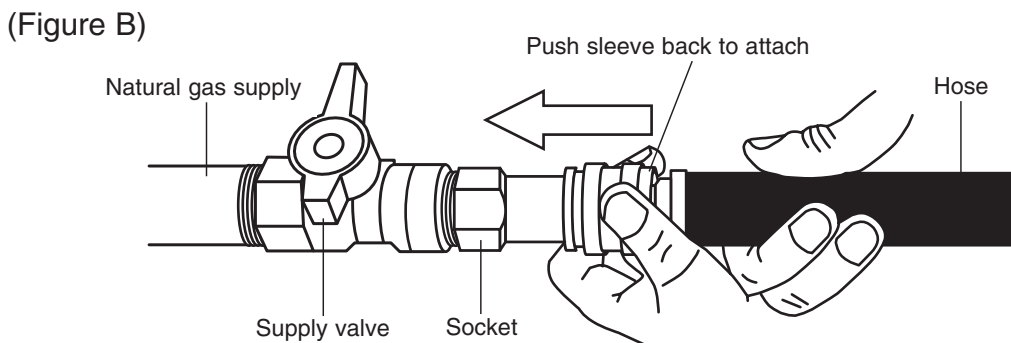
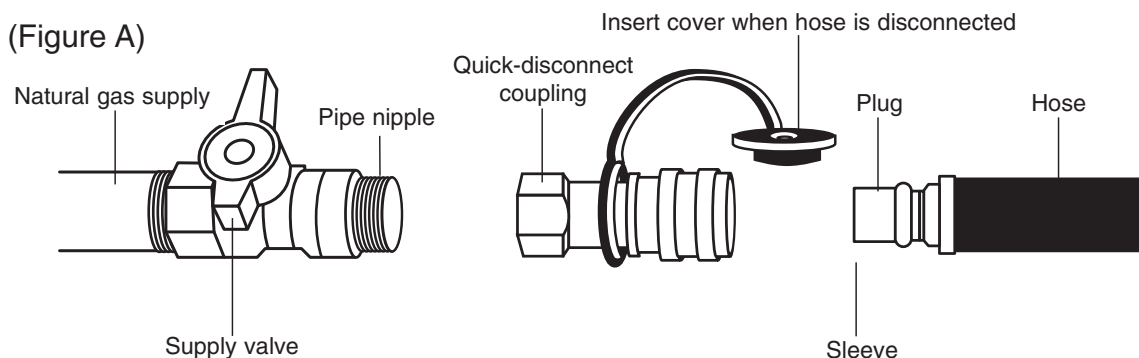
All applicable local codes, or in the absence of local codes, either:

- National Fuel Gas Code,
- ANSI Z223.1 1988 or latest edition (USA)
- Natural Gas Installation Code: CAN/CGA B149.1 (Canada)
- Propane Installation Code: CAN/CGA B149.2 (Canada)
- Only ANSI Z21.54 approved hoses should be used with this grill.

To check your local codes, see your local LP gas dealer or natural gas company.

CONNECTING YOUR GRILL TO THE NATURAL GAS SOURCE

1. Coat pipe nipple with gas resistant teflon tape or pipe dope. Tighten quick-disconnect coupling onto pipe nipple that leads to natural gas supply (Figure A).
2. After grill is completely assembled, make sure natural gas supply valve is “OFF” and then connect natural gas hose to socket. Push sleeve back on socket (Figure B) and insert plug until sleeve snaps forward, locking plug into socket. Be sure to leak test these connections prior to use.



DISCONNECTING YOUR GRILL FROM THE NATURAL GAS SOURCE

1. Turn natural gas supply valve “OFF”
2. To disconnect, push sleeve back and pull plug out of sleeve.

⚠ WARNING

- **Never use your grill without leak testing all gas connections and hoses. See the section on “Leak Testing” in this manual for proper procedures.**
- **Visually inspect the hose assembly prior to each use for evidence of damage, excess wear or deterioration. If found, replace the assembly before using your grill. Only the Brinkmann supplied replacement should be used.**

⚠ DANGER

LEAK TESTING:

To prevent fire or explosion hazard:

- **DO NOT** smoke or permit ignition sources in the area while conducting a leak test.
- Perform test **OUTDOORS** only in a well ventilated area.
- Never perform a leak test with a match or open flame.
- Never perform a leak test while the grill is in use or while grill is still hot.

⚠ WARNING

WHEN TO PERFORM A LEAK TEST:

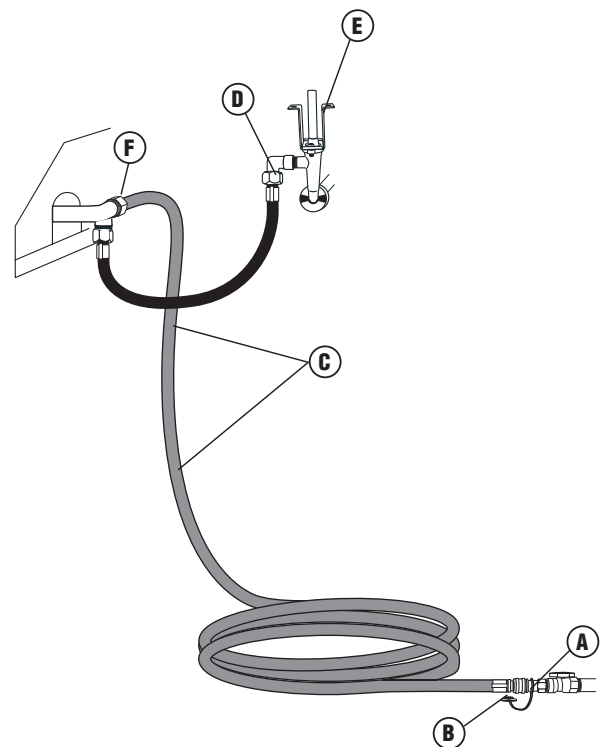
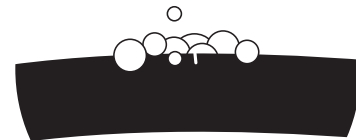
- After assembling your grill and before lighting for the first time, even if purchased fully assembled.
- Every time the gas hose is connected to the natural gas supply or if any of the gas components are replaced.
- Any time your grill has been moved.
- At least once per year or if your grill has not been used for more than 60 days.

CHECKING FOR LEAKS:

1. Create a mixture of 50% water and 50% liquid dishwashing soap.
2. Open the lid.
3. Ensure all control knobs are set to the "OFF" position.
4. Ensure gas hose is tightly connected to gas source.
5. Turn on the fuel supply on at the source.
6. Apply the soap water mixture to the following:

- Ⓐ Quick-disconnect coupling
- Ⓑ Plug and hose connection
- Ⓒ The full length of gas supply hose
- Ⓓ Gas supply hose connection to side burner valve assembly.
- Ⓔ Side burner valve stem cap.
- Ⓕ Gas supply connection to gas manifold.

Watch For Bubbles



7. Check each place listed (A -F) for growing bubbles which indicates a leak.
8. Turn OFF gas supply at natural gas supply.
9. Turn on control knobs to release gas pressure in hose.
10. Turn control knobs to OFF position.
11. Tighten any leaking connections.
12. Repeat soapy water test until no leaks are detected. **DO NOT** use the grill if leaks cannot be stopped. Contact a qualified gas appliance repair service.
13. Turn OFF gas supply at natural gas supply until you are ready to use your grill.
14. Wash off soapy residue with cold water and towel dry.
15. Wait 5 minutes to allow all gas to evacuate the area before lighting grill.

⚠ CAUTION: **DO NOT** use the grill if leaks cannot be stopped. Contact a qualified gas appliance repair service.

Note: The leak test must be performed in an area that has adequate lighting in order to see if bubbles are developing.

⚠ WARNING

PRE-START CHECK LIST:

Property damage, bodily harm, severe burns, and death could result from failure to follow these safety steps. These steps should be performed after the grill has been assembled, stored, moved, cleaned, or repaired. DO NOT operate this grill until you have read and understand ALL of the warnings and instructions in this manual.

- Ensure that the grill is properly assembled.
- Inspect the gas supply hose for burns, chaffing, kinks, and proper routing before each use. Hose should be at least 3 inches from hot surfaces.
- Leak check all gas connections and hose. See section on "Leak Testing".
- Ensure that all electrical supply cords are properly grounded and are kept away from water and hot surfaces.
- Position your grill on level ground in a well ventilated location, a safe distance from combustible materials and buildings.
- Properly place the empty grease tray under the grease drain hole in the bottom of the grill to catch grease during use.

⚠ WARNING

Read, understand and follow all warnings and instructions contained in this manual. DO NOT skip any of the warnings and instructions contained in the preceding sections of this manual.

⚠ WARNING

LIGHTING INSTRUCTIONS:

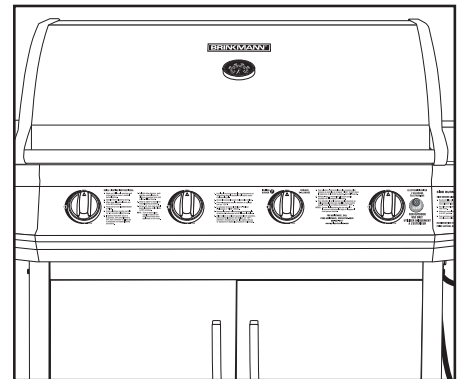
Follow the instructions exactly.

1. **OPEN THE GRILL LID** before attempting to light a burner so that fumes do not accumulate inside the grill. An explosion could occur if grill lid is down.
2. Check that all burner control knobs and the natural gas supply are turned to the **OFF** position.
3. Turn on the natural gas supply.
4. **DO NOT** stand with head, body, or arms over the grill when lighting.

LIGHTING THE MAIN BURNERS:

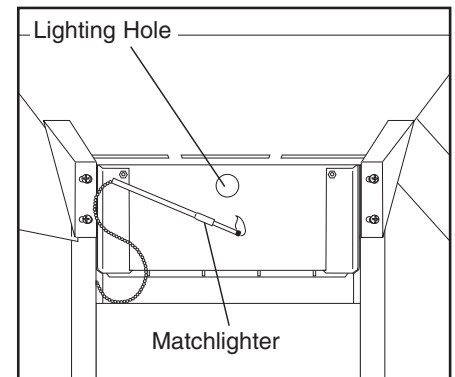
1. Open lid before lighting burner.
2. Make sure all control knobs are in the "OFF" position.
3. Push and turn the Ignition Burner to HIGH.
4. Press electronic igniter and hold for 3-5 seconds to light burner.
5. If ignition does NOT occur in 5 seconds, turn control knob to OFF, wait 5 minutes to allow gas to dissipate and repeat lighting procedure.
6. To light other burners, push and turn control knobs to HIGH in sequence from right to left. Follow Step 5.
7. Refer to owner's manual for match lighting procedure.
8. To turn off, turn control knob clockwise until it locks in OFF position.

Note: If burner does not light or flame is too low, you may have spider or other insect blockage in burner, or the flow limiting device has been activated. See "Burner Assembly/Maintenance" under Proper Care and Maintenance.



MATCH LIGHTING THE MAIN BURNERS:

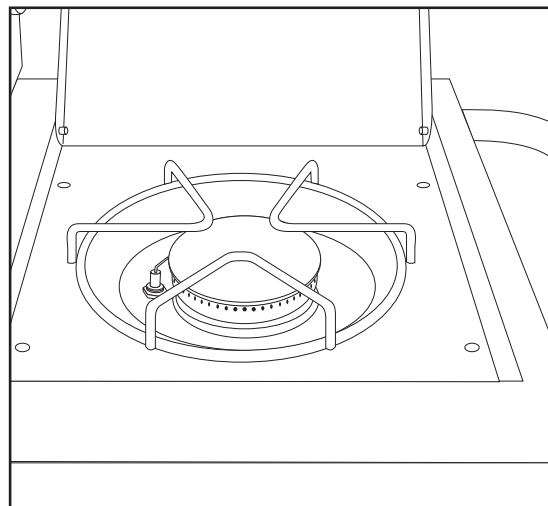
1. Open lid before lighting.
2. Turn the burner control knobs to OFF.
3. Place a paper match in the end of the matchlighter. Strike the match and place through lighting hole in the right hand side of the grill to approximately 1/2" (2 to 3 cm) from the burner.
4. Turn on the **FAR LEFT** burner control knob to the HIGH position. The burner should light within 5 seconds.
5. If the burner does not light, turn the control knob to OFF and wait 5 minutes for gas to evacuate the grill. Repeat steps 1 through 5 until the burner ignites.
6. Once lit, light adjacent burners in sequence by pressing in and rotating the control knob to the HIGH position.
7. If the burner does not light within the first few attempts of match lighting, there is a problem with the gas supply. Turn off the gas at the burner **and** natural gas supply. **DO NOT** attempt to operate the grill until the problem is found and corrected. See "Trouble Shooting" section of this manual.



LIGHTING THE SIDE BURNER:

1. Open lid before lighting side burner.
2. Make sure control knob is in the "OFF" position.
3. Push and turn side burner control knob to HIGH.
4. Press the electronic igniter and hold for 3-5 seconds to light burner.
5. If ignition does NOT occur in 5 seconds, turn control knob to OFF, wait 5 minutes to allow gas to dissipate and repeat lighting procedure.
6. To turn off, turn control knob clockwise until it locks in OFF position.

Note: If burner does not light or flame is too low, you may have spider or other insect blockage in burner, or the flow limiting device has been activated. See "Burner Assembly/Maintenance" under Proper Care and Maintenance, or "Regulator Resetting Procedure" under Connecting LP Cylinder and Hose/Regulator to Grill.



MATCH LIGHTING THE SIDE BURNER:

1. Open the lid to the side burner before lighting.
2. Turn the burner control knob to "OFF".
3. Strike and carefully place a match approximately 1/2" (1 to 2 cm) from the burner.
4. Turn the side burner control knob to the "HIGH" position. The burner should light within 5 seconds.
5. If the burner does not light, turn the control knob to "OFF" and wait 5 minutes for gas to dissipate and repeat lighting procedure.
6. If the burner does not light within the first few attempts of match lighting, there is a problem with the gas supply. Turn off the gas at the burner and cylinder. **DO NOT** attempt to operate the grill until the problem is found and corrected. See "Trouble Shooting" section of this manual.

Note: Observe flame height when lit: Flame should be a Blue/Yellow color between 1"-2" when burner is on "HIGH".



TURNING OFF THE GRILL:

1. Turn OFF the natural gas supply.
2. Turn all burner control knobs to the "OFF" position.

Note: Turn off the natural gas supply first to prevent gas from being left in the system under pressure.

⚠ CAUTION !

- The natural gas supply should always be in the off, or closed position when the grill is not in use.

WARNING

OPERATING THE GRILL:

Never use charcoal or wood briquets in a gas grill. Flavoring chips must be contained in a metal smoking box to contain ash and prevent fires. Read and follow all warnings and instructions contained in the preceding sections of this manual.

BREAKING IN YOUR GRILL:

- In manufacturing and preserving the components of your grill, oil residue may be present on the burner and cooking surfaces of your grill.
- Before cooking on your grill for the first time you should preheat it for 15 minutes on "HIGH" to burn off these residual oils.

PREHEATING THE GRILL:

- Prior to use, it is recommended that you preheat your grill. This ensures that the grilling surfaces are at the desired temperatures to sear the food sugars when cooking. After lighting your grill, set the main burner control knobs to the "HIGH" position for 10 to 15 minutes. Close the cover during the preheat period.

CONTROLLING FLARE-UPS:

- Flare-ups are a part of cooking meats on a gas grill. This adds to the unique flavor of cooking on a gas grill. Excessive flare-ups can over-cook your food and cause a dangerous situation for you and your grill. Excessive flare-ups result from the build-up of grease in the bottom of your grill. If this should occur, **DO NOT** pour water onto the flames. This can cause the grease to splatter and could result in serious burns or bodily harm. If grease fire occurs close the lid and turn off the main burners until the grease burns out. Use caution when opening the lid as sudden flare-ups may occur.

WARNING

- **DO NOT** leave your grill unattended while in use.
- **DO NOT** move grill when in use. Lock wheels in place to stabilize grill.
- **DO NOT** use water to extinguish flare-ups.
- Have fire extinguisher readily accessible suitable for use with gas appliances.

TO MINIMIZE FLARE-UPS:

- Trim excess fat from meats prior to cooking.
- Cook meats with high fat contents (chicken or pork) on Low settings or indirectly.
- Ensure that your grill is on level ground and the grease is allowed to evacuate the grill through the drain hole in the bottom and into grease cup.

INDIRECT COOKING:

- Indirect cooking is the process of cooking your food without the heat source being directly under your food. You can sear meats over a high flame on one side of the grill while slow cooking a roast on the other (unlit) side of the grill.

ROTISSERIE COOKING:

- Your grill was pre-drilled from factory to include mounting holes for a rotisserie. Do not use a rotisserie not specifically manufactured for this grill.
- Read and follow all instructions provided with the rotisserie. Save instructions for future reference.
- Do not use the side burner when using a rotisserie.

WARNING

- **When using an AC current rotisserie, it must be electrically grounded in accordance with local codes, or in the absence of local codes:**
 - In the US: The National Electrical Code – ANSI-NFPA No. 70 – Latest Edition
 - In Canada: the Canadian Electrical Code – CSA C22.1
- **The Rotisserie is equipped with a three pronged plug for your protection against electrical shock. This plug should be plugged directly into a properly grounded 3 prong receptacle. Never cut or remove the grounding plug. Any extension cord must also have a 3 prong receptacle.**
- **All electrical supply cords should be kept away from water and any hot surfaces of the grill.**

USING OTHER FEATURES OF THE GRILL:

THE SIDE BURNER:

- The side burner can be used to prepare side dishes such as beans, potatoes, corn, or to warm sauces.
- The burner valve can be adjusted from high to low depending upon your cooking demands.

WARNING

- **Read instructions on lighting your grill to light the side burner.**
- **Never close the side burner cover when the burner is lit.**
- **Use a 10" diameter pot or smaller that does NOT have an extended handle when cooking on the side burner. Center pot over burner.**
- **Never place more than 15 pounds on the side burner. The side burner is not constructed to hold weight exceeding 15 pounds.**
- **Use caution to avoid bumping grill, side burner or pot to prevent pot from spilling contents possibly leading to severe burns.**
- **DO NOT use side burner to deep fry food in oil to avoid dangers associated with oil igniting creating a very dangerous situation.**

GRILL COOKING TIPS

CLEANLINESS

- Always wash hands thoroughly with soap and hot water prior to handling food and after handling raw meat, uncooked poultry or seafood.
- When using a platter to carry raw meat, uncooked poultry or seafood to the grill, make sure to wash the platter thoroughly with soap and hot water before placing cooked foods back on the platter or use different platters for raw and cooked foods.
- Never use the same utensils when handling raw meat, uncooked poultry or seafood unless you wash the utensils thoroughly with soap and hot water.
- Never re-use marinade from raw meat or uncooked poultry on foods that have been cooked and are ready to be served.

GRILLING TO PROPER TEMPERATURE

- Use a meat thermometer to be sure food has reached a safe internal temperature. You may order a Commercial-quality thermometer from Brinkmann. For more information on this product and other Brinkmann accessories, please refer to the accessory pages at the end of this manual.
- The US Department of Agriculture recommends the **minimum** temperature be reached for the following food items:

Chops145 degrees F (62.8° C)

Ground Meat160 degrees F (71° C)

Pork160 degrees F (71° C)

Poultry180 degrees F (82° C)

Roasts145 degrees F (62.8° C)

Seafood140 degrees F (60° C)

Vegetables145 degrees F (62.8° C)

HELPFUL HINTS

- If you pre-cook meat or poultry, do so immediately before grilling.
- Never defrost meat at room temperature or on a countertop.
- Refrigerate leftovers within 2 hours of taking food off the grill.
- For additional information, please phone the USDA's toll free Meat & Poultry Hotline at 800-535-4555.

PROPER CARE & MAINTENANCE

- To protect your grill from excessive rust, the unit must be kept clean and covered at all times when not in use. A grill cover may be ordered directly from Brinkmann by calling 800-468-5252 or 800-527-0717.
- Wash cooking grills and heat distribution plates with hot, soapy water, rinse well and dry. Lightly coat cooking grill with vegetable oil or vegetable oil spray.
- Clean inside and outside of grill by wiping off with a damp cloth. Apply a light coat of vegetable oil or vegetable oil spray to the interior surface to prevent rusting.
- If rust appears on the exterior surface of your grill, clean and buff the affected area with steel wool or fine grit emery cloth. Touch-up with a good quality high-temperature resistant paint.
- The stainless steel exterior surface of your grill, can be cleaned with stainless steel cleaner.
- Never apply paint to the interior surface. Rust spots on the interior surface can be buffed, cleaned, then lightly coated with vegetable oil or vegetable oil spray to minimize rusting.

CLEANING AND MAINTENANCE:

- Keep the appliance free and clear of combustible materials, gasoline and other flammable vapors and liquids.
- Visually check burner flames for proper operation (see pictorial in "Burner Assembly/Maintenance" under Proper Care and Maintenance). Spiders or other insects can nest in the burner causing gas blockage.
- For safe grilling and peak performance of your grill, perform these checks at least twice per year or after extended periods of storage.
- Be sure to tighten up all hardware (nuts, bolts, screws, etc.) at least twice per year.

⚠ CAUTION: Some parts may contain sharp edges. Wear protective gloves if necessary.

- Remove the cooking grills, heat distribution plates, and burners from inside your grill. Use a brush with hot water and detergent to remove excess residue. NEVER use a commercial oven cleaner. Rinse completely with water. Towel dry and replace all components as described in the assembly instructions.

BURNER ASSEMBLY/MAINTENANCE

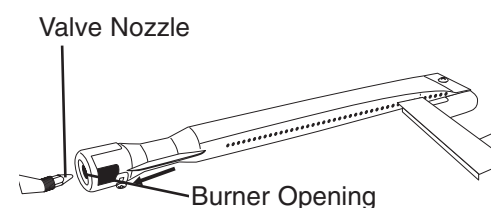
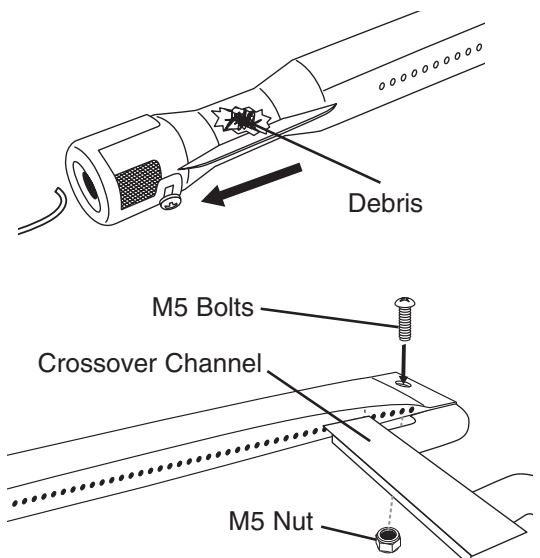
- Although your burners are constructed of stainless steel, they may corrode as a result of the extreme heat and acids from cooking foods. Regularly inspect the burners for cracks, abnormal holes, and other signs of corrosion damage. If found, replace the burner.
- **DO NOT obstruct the flow of combustion and ventilation air.** Burner tubes can become blocked by spiders and other insects building their nests. Blocked burner tubes can prevent gas flow to the burners and could result in a burner tube fire or fire beneath the grill. To clean the Burner Assembly follow these instructions to clean and/or replace parts of burner assembly or if you have trouble igniting the grill.

1. Turn gas off at control knobs and natural gas supply.
 2. Remove cooking grills and heat distribution plates.
 3. Remove bolt from each burner "foot" using a screwdriver.
 4. Carefully lift each crossover channel and up and away from burners.
 5. Carefully lift each burner up and away from valve openings.
 6. Use a narrow bottle brush or a stiff wire bent into a small hook to run through each burner tube and flame port several times.
- Note: Wear eye protection when performing procedure 7.

7. Use compressed air to blow into burner tube and out the flame ports. Check each port to make sure air comes out each hole.
8. Wire brush entire outer surface of burner to remove food residue and dirt.
9. Check burner for damage, if any large cracks or holes are found replace burner.

IMPORTANT: Burner opening must slide over valve nozzle.

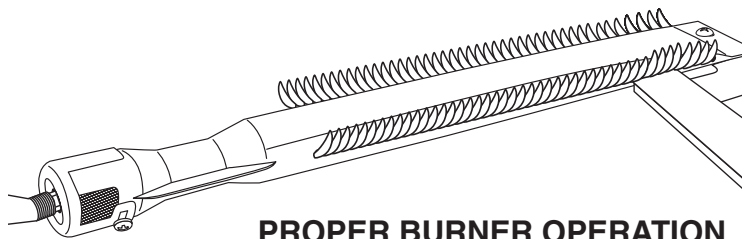
10. Carefully align crossover channels between burners and orient burners **CORRECTLY** by aligning screw hole in burner to the left as shown.
11. Replace M5 nuts and M5 bolts to each burner and crossover channel.



BURNER ASSEMBLY/MAINTENANCE CONTINUED

Note: Follow the "Gas Leak Testing" section of this manual. Relight burners to verify proper operation.

12. Replace heat distribution plates and cooking grills.



COOKING GRILLS

- Clean with mild soap detergent and water. A brass bristled brush or a nylon cleaning pad can be used to remove residue from the stainless steel surfaces. Do not use steel wire bristles to clean the cooking grills. Steel can cause the finish to chip or crack. **DO NOT** use a commercial oven cleaner.

HEAT DISTRIBUTION PLATES

- Periodically, it may be necessary to inspect and clean the heat distribution plate to prevent excess grease build-up. When the grill is cold, remove the cooking grills. Inspect the heat distribution plates and replace if broken or damaged. Do not allow heat distribution plates to become damaged to the extent that they may fall through onto the burners. Replace the heat distribution plates and cooking grills and light the burners. Operate the grill on "HIGH" for 10 minutes to remove the excess grease.

⚠ WARNING

TRANSPORTING AND STORAGE:

- **Never move a grill when it is hot or when objects are on the cooking surfaces.**
- **Make sure that natural gas supply is shut off. After moving the grill check that all gas connections are free of leaks. Refer to instructions for Leak Testing.**
- **DO NOT store a spare LP gas cylinder (filled or empty) under or near the grill.**
- **Never store flammable liquids or spray canisters under or near the grill.**
- **DO NOT extinguish grease fires using water.**
- **If the outdoor cooking gas appliance is not in use, the gas must be turned off at the gas supply.**
- **When removing the grill from storage, spider webs or other debris may be blocking the burner. See "Burner Assembly/Maintenance" under Proper Care and Maintenance.**

BEFORE STORING YOUR GRILL:

- Ensure that the natural gas supply has been turned off.
- Clean all surfaces.
- Lightly coat the burners with cooking oil to prevent excess rusting.
- If storing the grill indoors, disconnect the hose from the natural gas supply.
- Insert protective cover into quick disconnect coupling. See section on “Connecting Your Grill To The Natural Gas Source.”
- Clean burner prior to use after storing, at the beginning of grilling season or after a period of one month not being used. Spiders and insects like to build nests in burner tubes (especially during colder months). These nests can cause fires in burner tubes or under grill.
- If storing the grill outdoors, cover the grill with a grill cover for protection from the weather.

TROUBLE SHOOTING

Problem:	Possible Causes:
<ul style="list-style-type: none"> • Burner will not light 	<ol style="list-style-type: none"> 1. Check natural gas supply. 2. Bad electrode spark. Check to see if the grill will match light. Electrode or collector may need adjustment. 3. Burner may not be properly seated. 4. Burner may be obstructed.
<ul style="list-style-type: none"> • Fire at control knob 	<ol style="list-style-type: none"> 1. Burner holes may be obstructed. See section on "Burner Assembly/Maintenance" under Proper Care and Maintenance. 2. Burner is improperly seated on control valve. 3. Gas connections may be loose. Leak Check and tighten all connections.
<ul style="list-style-type: none"> • Yellow Flames at burner 	<ol style="list-style-type: none"> 1. Burner is obstructed. See section on "Burner Assembly/Maintenance" under Proper Care and Maintenance.
<ul style="list-style-type: none"> • Flame blows out on "LOW" 	<ol style="list-style-type: none"> 1. Burner holes may be obstructed. See section on "Burner Assembly/Maintenance" under Proper Care and Maintenance. 2. Grill is not sufficiently preheated. 3. Burner is improperly seated on control valve.
<ul style="list-style-type: none"> • Grill is Too Hot 	<ol style="list-style-type: none"> 1. Excess grease build-up causing grease fires. 3. Cook on a lower temperature setting.

FREQUENTLY ASKED QUESTIONS

Your grill's serial number and model number, and the contact information for Brinkmann Customer Service, are listed on a silver label found beneath the control panel, on the back of the grill or on the side of the grill body, under the side shelf.

These questions and answers are for your general knowledge, and may not be applicable to your model grill.

Question: Why does my grill not light properly?

Answer: Always follow lighting instructions as listed on the control panel or in this manual. Also check these causes:

- Check natural gas supply.
- Check to ensure all gas connections are secure.
- The igniter AA battery may need replacing.
- Ignition wires may be loose. Remove the battery, inspect the igniter junction box found behind the control panel and connect any loose wires.
- Spark electrode tips may need repositioning. With the gas supply closed and control knob set to the "OFF" position, press the igniter button and have another person watch for the presence of a spark at the electrode tips. The gap between the spark electrode tip and spark receiver should be about 3/16". If the electrode tip needs to be adjusted, bend it to the appropriate gap distance.
- Check that the end of each burner venturi tube is properly located over its gas valve orifice fitting.
- There may be an obstruction in the gas line. To correct this, remove natural gas hose or natural gas fuel line from your grill. Open gas supply for one second to test for obstruction. If no obstruction is present, reconnect fuel line. If the fuel line is blocked, replace with a new hose assembly.
- If an obstruction is suspected in the hose / orifice or gas valves call Brinkmann Customer Service at 800-527-0717.

Question: How and when do I clean the interior cooking components of my grill?

Answer: Use a fiber or brass cleaning brush to clean the interior of the grill, cooking grills, heat distribution plates and grease containers. Never use a wire brush or metal scraper on porcelain-finished parts, as they can scratch or chip the porcelain finish and promote rusting.

Cleaning Stainless Steel Cooking Grills: Wash grills with a mild detergent and rinse with hot water before initial use and as needed. DO NOT use a commercial oven cleaner. For stubborn food residue, use a degreaser and fiber or brass cleaning brush.

Cleaning Porcelain-Finished Cast-Iron Cooking Grills: Wash grills with a mild detergent and rinse with hot water before initial use and as needed. For stubborn food residue, use a degreaser and fiber or brass cleaning brush. Dry immediately using a soft cloth or paper towels.

Cleaning Heat Distribution Plate: Heat distribution plates should be cleaned whenever food or grease drippings accumulate to reduce the chance of flare-ups. Wash heat distribution plates with a mild detergent and rinse with hot water. Use a degreaser and fiber or brass cleaning brush to remove stubborn food residue. Do not use a wire brush or metal scraper on porcelain-finished heat distribution plates, as they can scratch or chip the porcelain finish and promote rusting.

Cleaning the Grease Tray and/or Grease Cup: The grease tray and/or grease cup (some models) should be inspected before each grill use to reduce the chance of fire. Remove grease (a plastic spatula works well) and wash all parts with a mild soap or degreaser and warm water solution.

FREQUENTLY ASKED QUESTIONS

Question: What causes grill parts to rust and what effect does it have on the grill materials?

Answer: Rusting is a natural oxidation process and may appear on cast-iron and steel parts. Rust will not affect the short-term performance of your grill. However, weathering and extreme heat can cause a stainless steel lid to turn a bronze color. This is discoloration, not rust, and is not considered a manufacturing defect.

Question: What causes my stainless steel grill lid to discolor and how do I clean my grill lid?

Answer: Smoke, weathering and high heat can cause a stainless steel grill lid to turn bronze in color. This is not to be confused with rust and is not a product defect. Machine oils used in the manufacturing process of stainless steel as well as cooking oils and a dirty grill lid can also encourage discoloration if the lid is not cleaned prior to grill use. After your grill is assembled, remove the protective PVC film from your grill lid and use a stainless steel cleaner and soft cloth to remove residual adhesive and oils from the inside and outside of your grill lid. Never use abrasive cleaners or scrubbers. In addition to the initial cleaning, routine cleaning to remove dirt, grease and oils will help discourage lid discoloration.

PARTS BAG CONTENTS

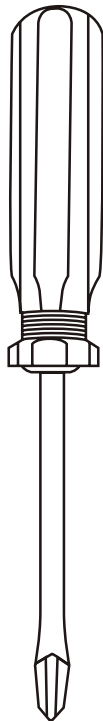
Make sure you have all items listed under **PARTS LIST** and **PARTS BAG CONTENTS** before you begin the installation process.

PARTS BAG CONTAINS:

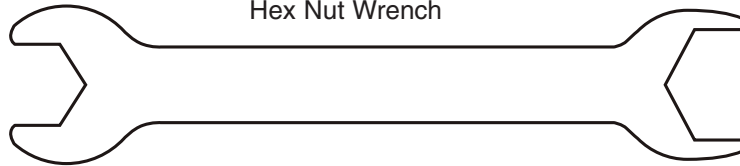
Qty.

- | | | | |
|----|--------------------------|----|--------------------------------|
| 1 | Screwdriver | 4 | M6 X 12mm Hex Bolts (Silver) |
| 1 | Hex Nut Wrench | 4 | Spring Washers (Silver) |
| 28 | M6 X 12mm Bolts (Black) | 20 | Star Washers (Black) |
| 1 | AA/1.5V Alkaline Battery | 4 | M6 Nuts (Black) |
| | | 2 | #8 Self-Tapping Screws (Black) |

Screwdriver



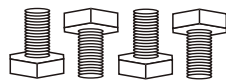
Hex Nut Wrench



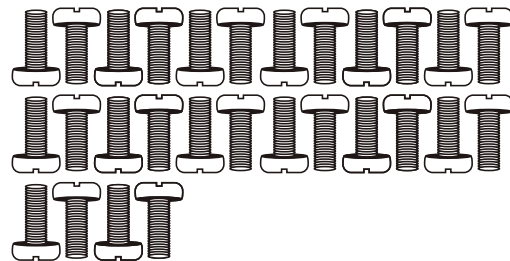
AA/1.5V Alkaline Battery



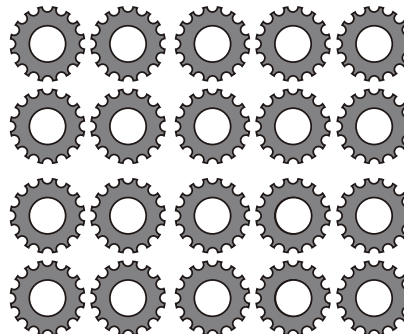
M6 X 12mm Hex Bolts (Silver)



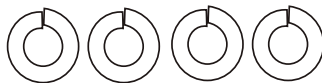
M6 X 12mm Bolts (Black)



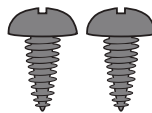
Star Washers (Black)



Spring Washers (Silver)



#8 Self-Tapping Screws (Black)



M6 Nuts (Black)



ASSEMBLY INSTRUCTIONS

▲ READ ALL SAFETY WARNINGS & ASSEMBLY INSTRUCTIONS CAREFULLY BEFORE ASSEMBLING OR OPERATING YOUR GRILL.

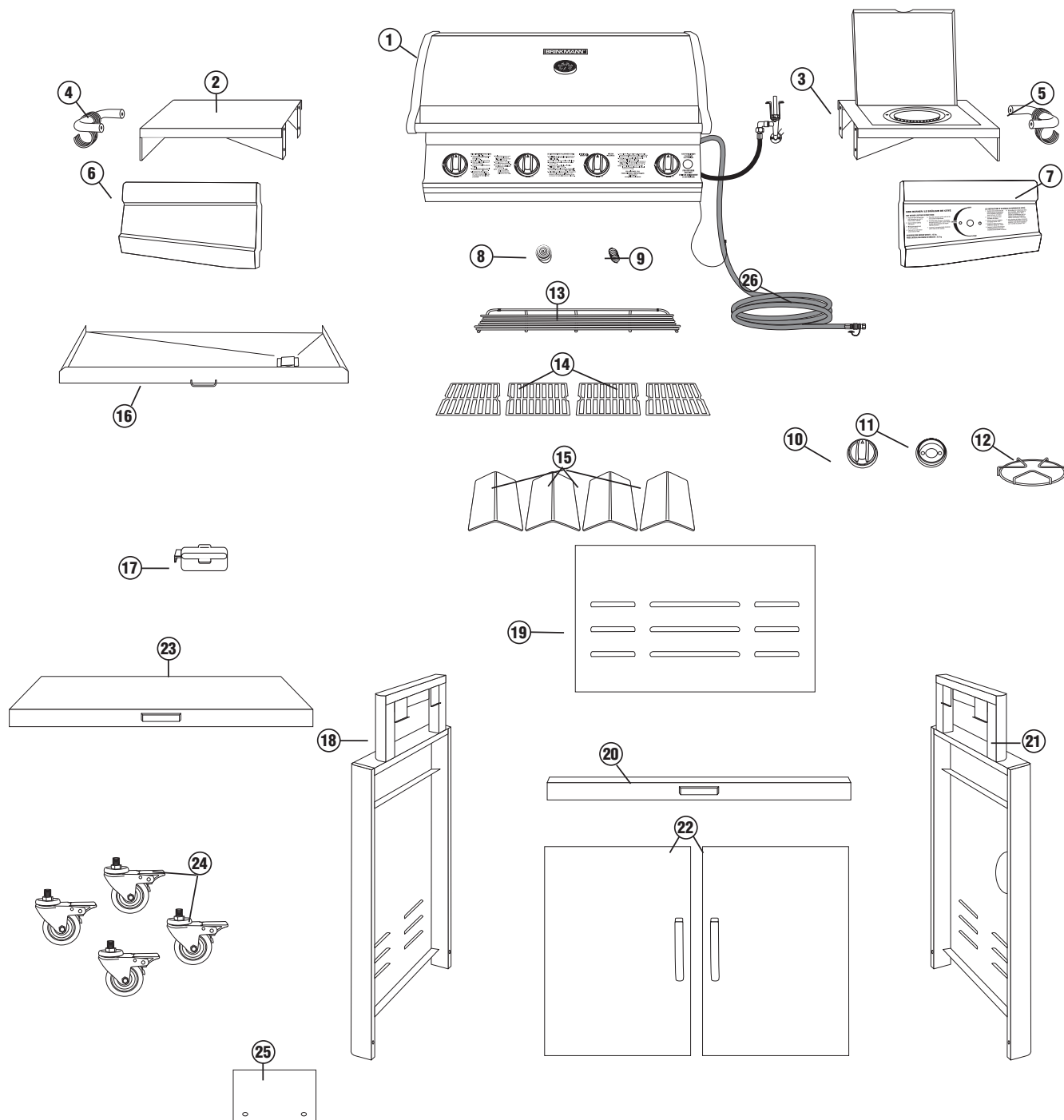
WE RECOMMEND TWO PEOPLE WORK TOGETHER WHEN ASSEMBLING THIS UNIT.

The following provided tools are required to assemble this Southgate 8445-N Natural Gas Grill:

- **Screwdriver**
- **Hex Nut Wrench**

PARTS LIST:

①	1	Grill Body Assembly	⑭	4	Cooking Grills
②	1	Left Side Table	⑮	4	Heat Distribution Plates
③	1	Side Burner Assembly	⑯	1	Grease Tray
④	1	Side Table Towel Rack	⑰	1	Grease Cup
⑤	1	Side Burner Towel Rack	⑱	1	Left Side Cart Panel
⑥	1	Left Side Table Front Panel	⑲	1	Back Panel
⑦	1	Side Burner Front Panel	⑳	1	Door Bracket
⑧	1	Electronic Igniter Button	㉑	1	Right Side Cart Panel
⑨	1	Electronic Igniter Spring	㉒	2	Doors
⑩	1	Side Burner Control Knob	㉓	1	Cart Base
⑪	1	Side Burner Bezel	㉔	4	Locking Casters
⑫	1	Side Burner Grate	㉕	1	Hose Heat Shield
⑬	1	Warming Rack	㉖	1	Hose/Valve/Quick-disconnect



FOR COVERS, ACCESSORIES AND OTHER PRODUCTS, PLEASE VISIT US ONLINE AT:

www.brinkmann.net

FOR GRILL WARRANTY REPLACEMENT PARTS, PLEASE VISIT US AT:

www.grillpartsonline.com

(Proof of purchase will be required.)

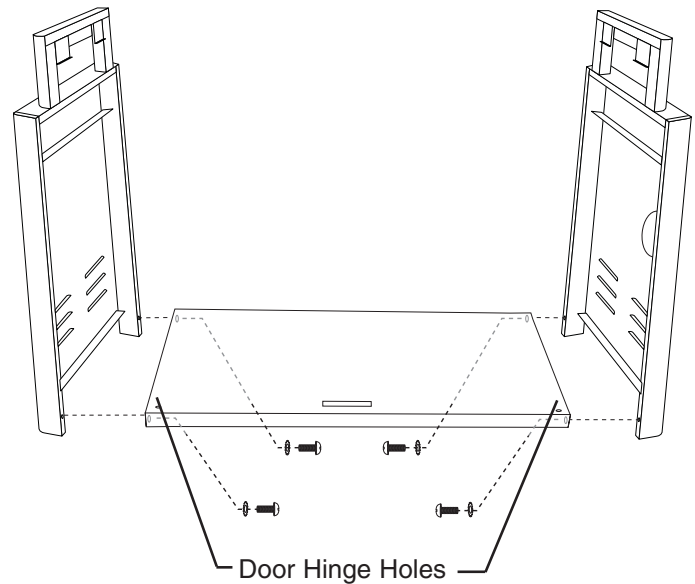
Inspect contents of the box to ensure all parts are included and undamaged.

Choose a good, cleared assembly area and get a friend to help you put your grill together. Lay cardboard down to protect grill finish and assembly area.

CAUTION: Some parts may contain sharp edges. Wear protective gloves if necessary.

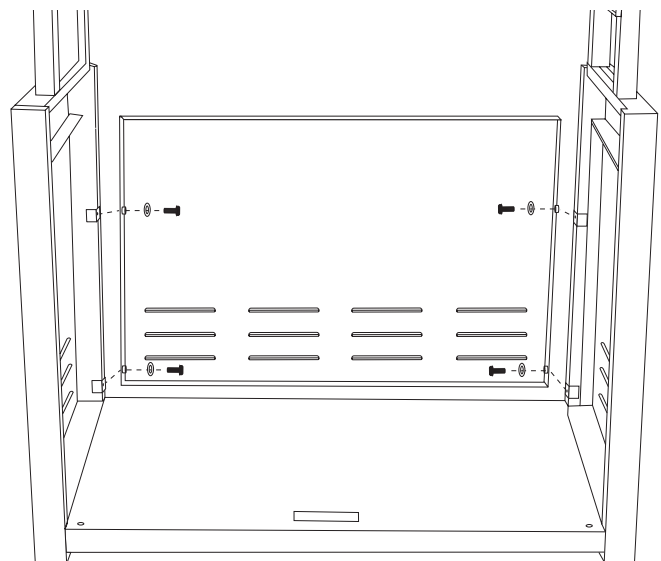
Step 1

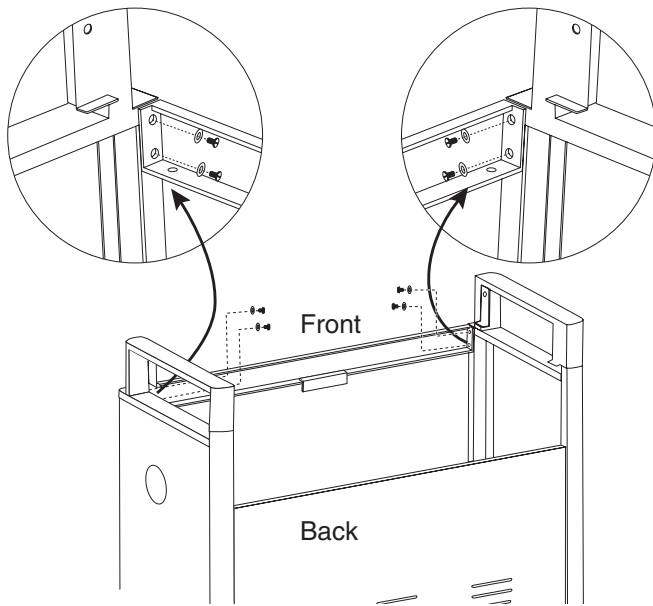
Attach cart base to side panels. Insert four M6 X 12mm bolts (black) and star washers (black) through cart base and into legs and tighten securely. Be sure the door hinge holes face forward.



Step 2

Attach back panel to left and right leg of cart assembly using four M6 X 12mm bolts (black) and star washers (black).

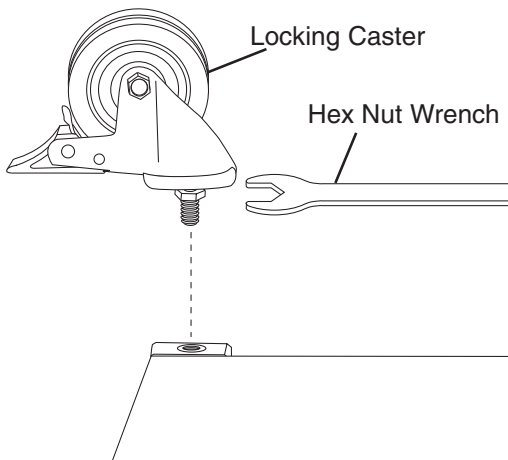




Step 3

Attach door bracket to left and right leg of cart using four M6 X 12mm bolts (black) and star washers (black).

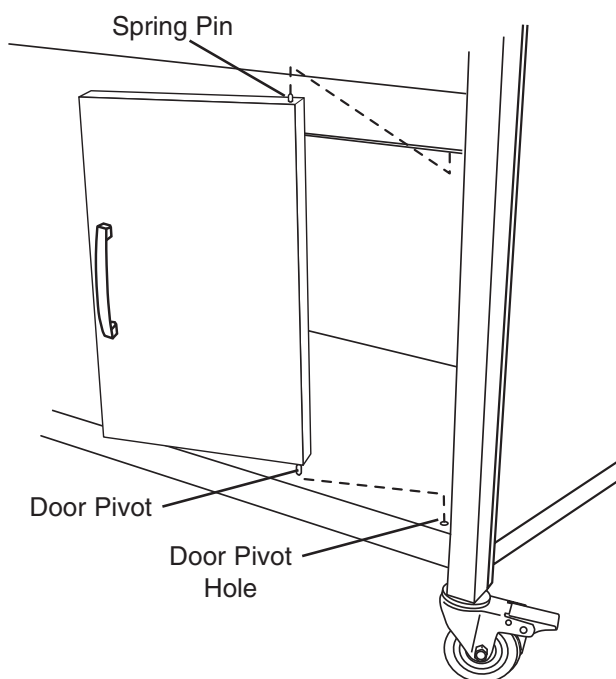
Note: With the help of a friend, turn the cart over. Try to minimize the stress to the side panels.



Step 4

Attach locking casters to the bottom of the cart. Tighten caster bolts securely using hex nut wrench provided in parts pack.

Note: With the help of a friend, turn the cart to its upright position. Lock the casters to stabilize the grill before performing Step 5.



Step 5

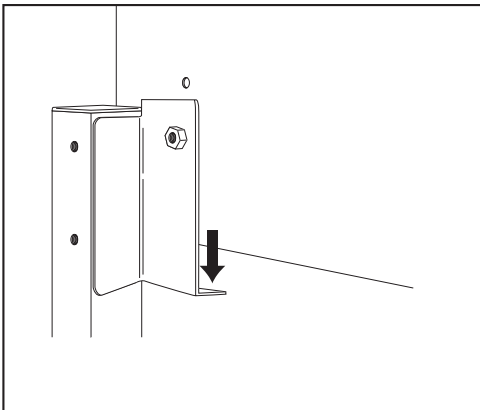
Insert right side door pivot into lower pivot hole (on bottom cart shelf) then align door with cart frame. Depress spring pin located on top edge of door and slide door toward side cart panel until spring pin locks into hole in door bracket. Repeat for other door.



Note: When performing Step 6, lift grill body from front and rear panels to avoid injury to hands and fingers.

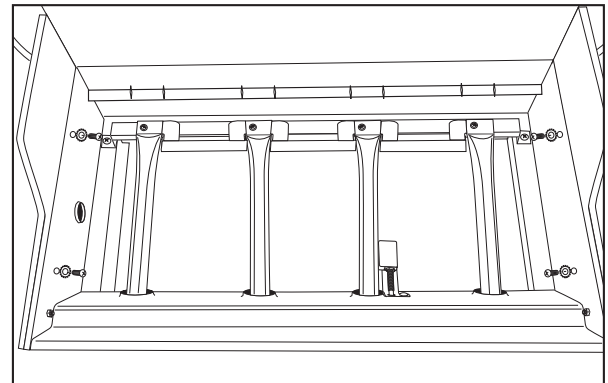
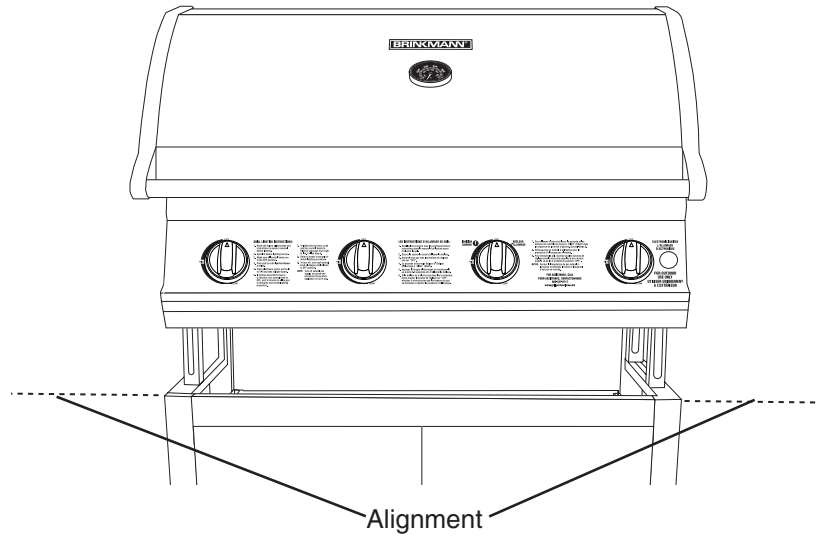
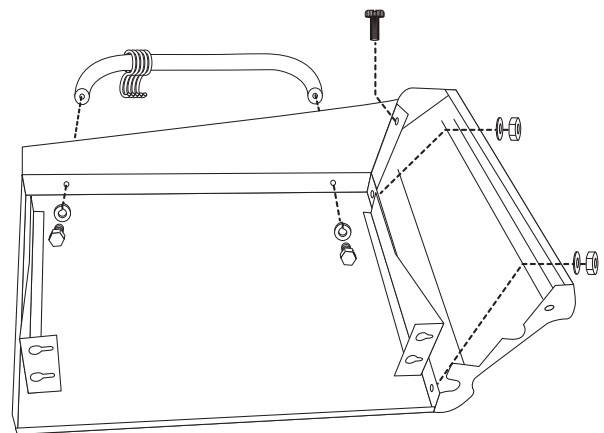
Step 6

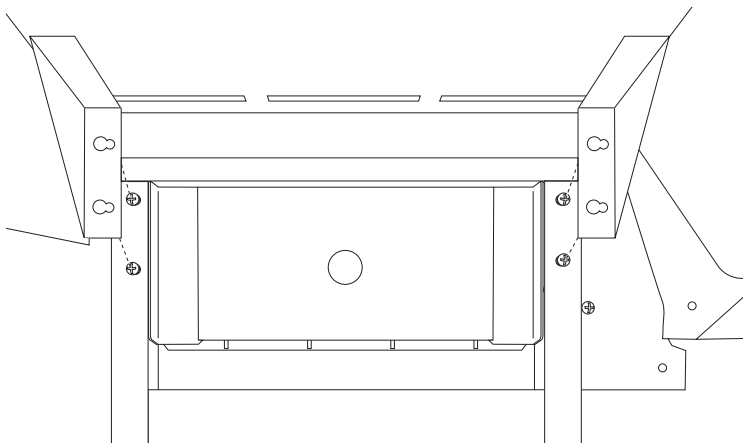
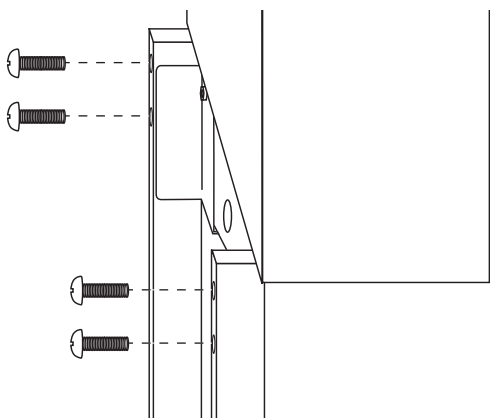
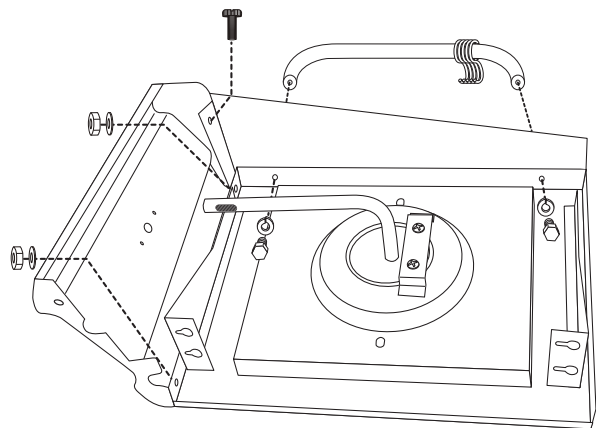
With the help of a friend, place grill body assembly on cart frame. Grill body will rest on angled top of vertical supports. Align bolt holes located on the inside of the grill body assembly. Secure using four M6 X 12mm bolts (black) with star washers (black).



Step 7

Attach hooks to side table towel rack bar. Then attach towel rack bar to side table using two M6 X 12mm hexagonal bolts (silver) and spring washers (silver). Attach side table front panel using one M6 X 12mm bolt (black) and two M6 nuts and star washers (black).



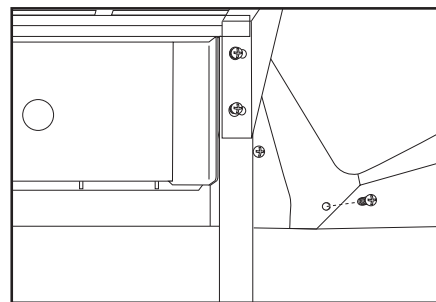


Step 8

Attach hooks to side burner towel rack bar. Then attach towel rack bar to side burner assembly using two M6 X 12mm hexagonal bolts (silver) and spring washers (silver). Attach side burner assembly front panel using one M6 X 12mm bolt (black) and two M6 nuts and star washers (black).

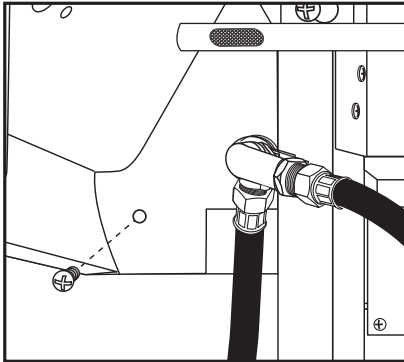
Step 9

Attach side table to left side of cart frame assembly. Insert two M6 X 12mm bolts (black) into both left legs halfway. Place table over bolts and slide toward back of grill, then tighten securely. Fasten side table front panel to grill body with one M6 X 12mm bolt (black).



Step 10

Attach side burner to right side of cart frame assembly. Insert two M6 X 12mm bolts (black) into both right legs halfway. Place side burner over bolts and slide toward back of grill, then tighten securely. Fasten side burner front panel to grill body with one M6 X 12mm bolt (black).



Step 11

Attach hose heat shield using two #8 self-tapping screws.

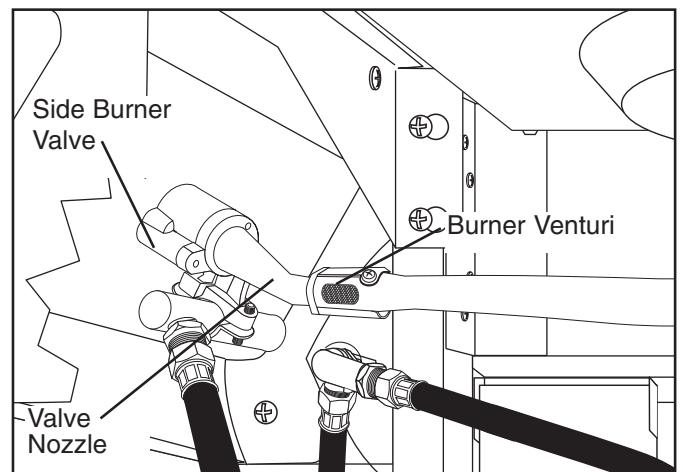
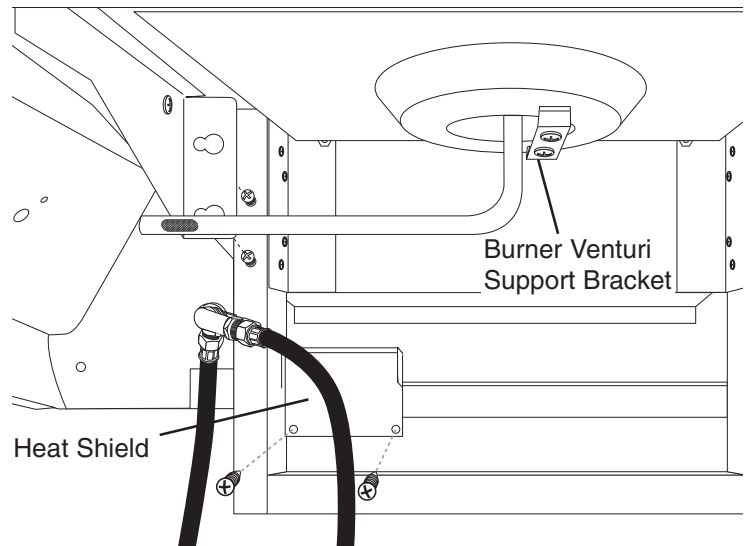
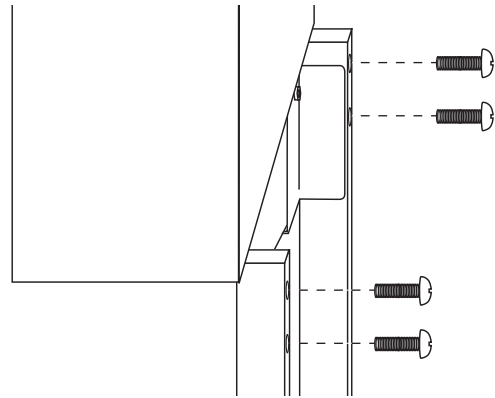
Step 12

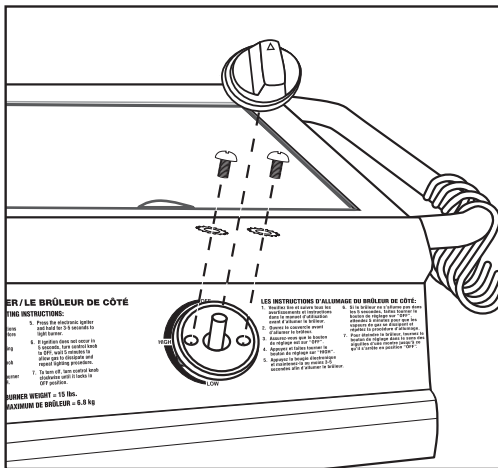
Loosen the two M4 bolts with washers from the bottom of the burner assembly bracket. This will allow the burner to move freely while performing Step 13.

Step 13

Remove two M4 bolts and washers from the side burner valve. Insert the side burner valve assembly through the hole in the side burner front panel, seat the valve nozzle into the burner venturi. Hold in place while you perform Step 14.

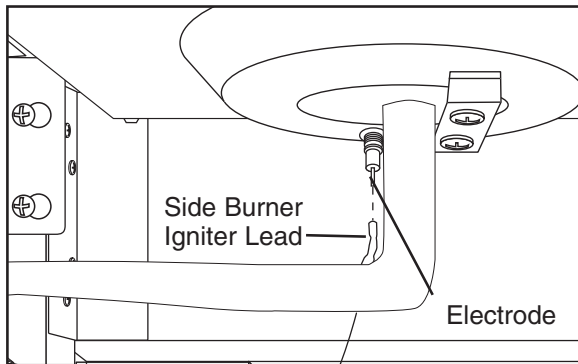
⚠ Warning: Never use your grill without leak testing all gas connections and hoses. See the section on "Leak Testing" in this manual for proper procedures.





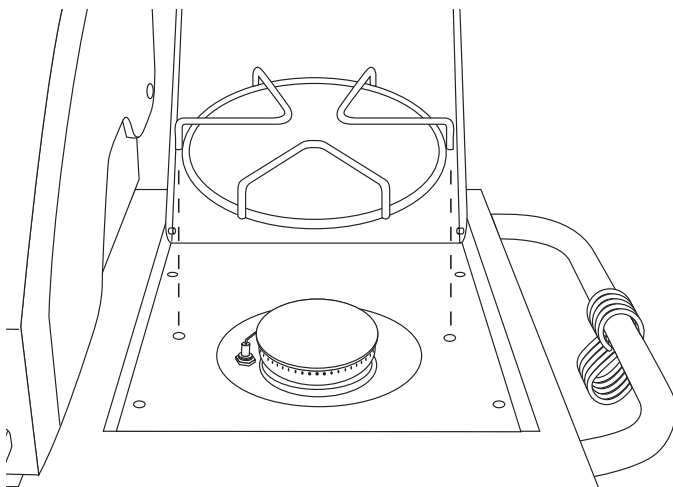
Step 14

Place the bezel over the control knob mounting stem and position over holes in side burner base and side burner valve assembly. Attach with two M4 X 10mm bolts with washers which come with valve. Install the side burner control knob onto valve stem, then tighten up the burner assembly/bracket screws loosened in Step 12.



Step 15

Attach side burner igniter lead wire to the electrode as illustrated.



Step 16

Place side burner grate over side burner.

Step 17

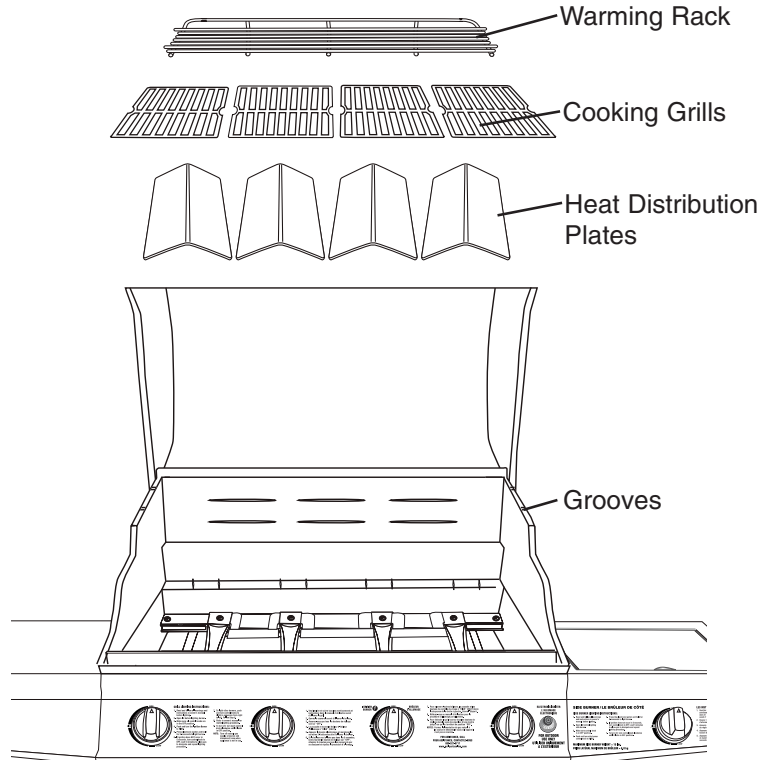
Place the heat distribution plates on lower level of grill body assembly directly above burners.

Step 18

Place cooking grills on support ribs directly above heat distribution plates.

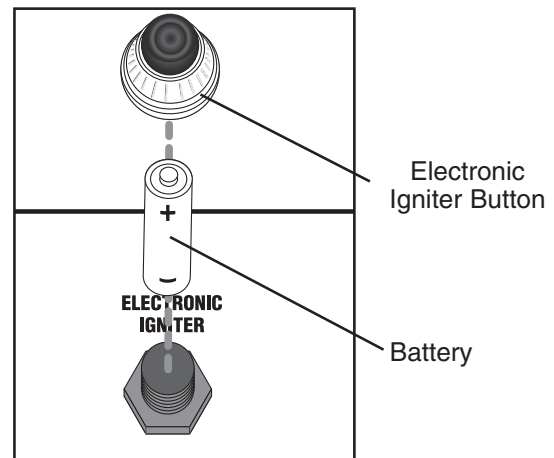
Step 19

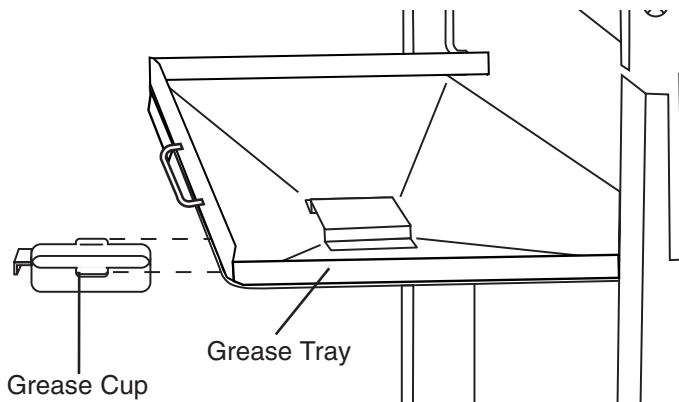
Place the warming rack on the grooves of the firebox side panels so that it sits above the cooking grills.



Step 20

Remove igniter cap and insert battery with positive end of battery toward igniter cap. Ensure spring is in place inside igniter cap. Replace igniter cap and make sure the igniter is working properly.





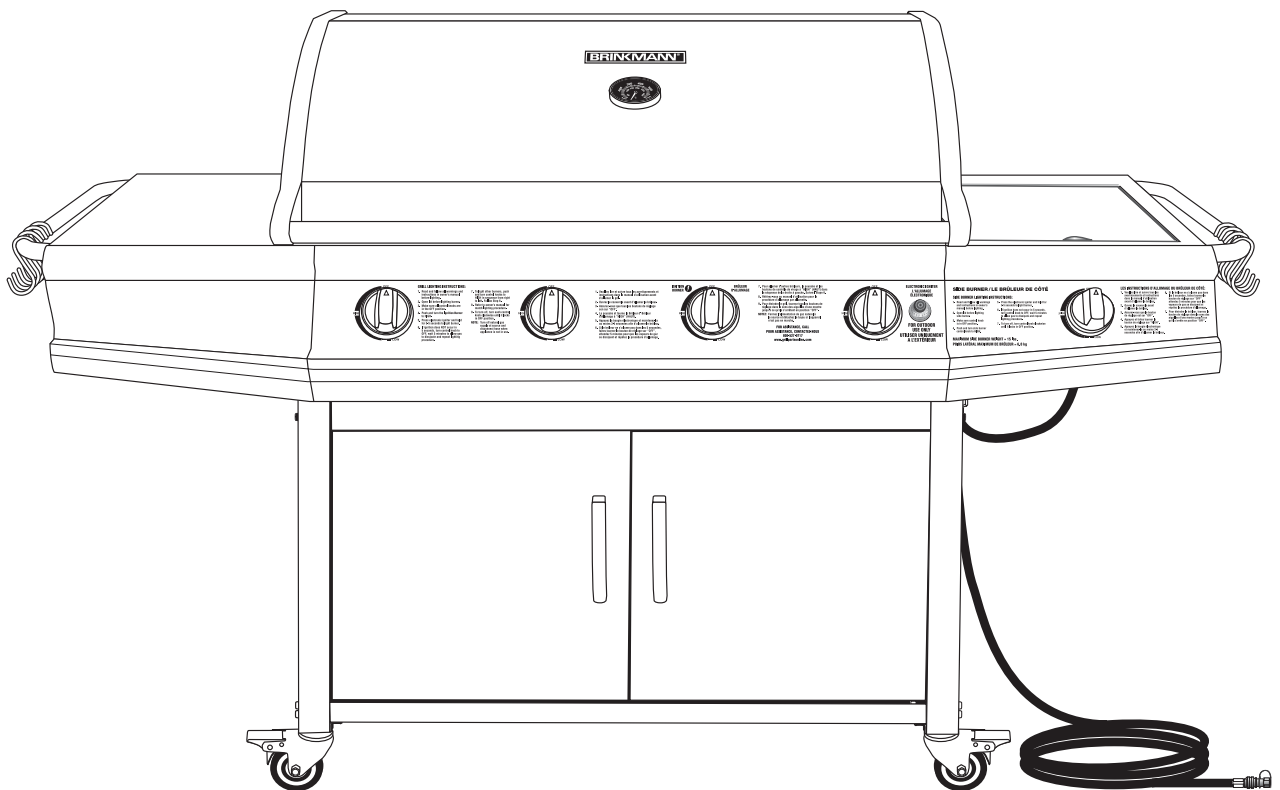
Step 21

Insert grease tray into opening on backside of grill. Make sure to slide tray onto tracks as illustrated.

Step 22


Insert grease cup into the grease tray. Make sure to slide cup onto tracks as illustrated.

Southgate 8445-N (Assembled)





MISES EN GARDE IMPORTANTES RELATIVES À LA SÉCURITÉ

NOUS VOULONS QUE L'ASSEMBLAGE ET L'UTILISATION DE VOTRE GRIL SOIENT AUSSI SÉCURITAIRES QUE POSSIBLE. CE SYMBOLE  D'ALERTE DE SÉCURITÉ VISE À ATTIRER VOTRE ATTENTION SUR DES RISQUES POSSIBLES LORS DE L'ASSEMBLAGE ET DE L'UTILISATION DE VOTRE GRIL.

QUAND VOUS VOYEZ LE SYMBOLE D'ALERTE
PORTER UNE ATTENTION ÉTROITE AUX RENSEIGNEMENTS QUI SUIVENT!

 LIRE ATTENTIVEMENT TOUTES LES MISES EN GARDE DE SÉCURITÉ ET LES CONSIGNES AVANT D'ASSEMBLER ET D'UTILISER VOTRE GRIL.

DANGER

SI VOUS DÉCELEZ UNE ODEUR DE GAZ:

1. Couper l'alimentation en gaz de l'appareil.
2. Éteindre toute flamme nue.
3. Ouvrir le couvercle.
4. Si l'odeur persiste, vous tenir à l'écart de l'appareil et téléphoner immédiatement à votre fournisseur de gaz ou au service d'incendie.

MISE EN GARDE

1. NE PAS garder ou utiliser de l'essence ou tout autre inflammable liquide ou vapeur à proximité de cet appareil ou de tout autre appareil.
2. Il ne faut pas garder une bouteille de GPL non raccordée à proximité de cet appareil ou de tout autre appareil.

DANGER



- NE PAS ranger une bouteille de GPL de réserve sous cet appareil ou à proximité.
- Ne jamais remplir une bouteille à plus de 80% de sa capacité.
- Le non-respect de ces consignes peut provoquer un incendie causant des blessures graves et même la mort.

TABLE DES MATIÈRES

Mises en garde générales	32
Connecter un gril à une source de gaz naturel	33–34
Épreuves d'étanchéité	35–36
Liste des contrôles préalables à l'allumage.	36
Consignes d'allumage	37–38
Utilisation du gril et conseils utiles	39–41
Soins et entretien appropriés	41–43
Transport et entreposage	43–44
Dépannage	44
Foire aux questions.	45–46
Liste des pièces et consignes d'assemblage	47–58
Renseignements sur la garantie.	Couverture arrière

- ⚠ DANGER:** Indique un danger imminent qui, s'il n'est pas évité, entraînera des blessures graves ou la mort.
- ⚠ MISE EN GARDE:** Être attentif à la possibilité de blessures graves si les directives ne sont pas suivies. Veiller à lire et à respecter scrupuleusement tous les messages.
- ⚠ ATTENTION:** Indique un danger possible qui, s'il n'est pas évité, peut provoquer des blessures superficielles ou modérées.

POUR LES COUVERCLES ET ACCESSOIRES POUR GRILLS, CONSULTEZ LE
SITE INTERNET SUIVANT
www.brinkmann.net

POUR LES PIÈCES DE RECHANGE POUR GRILLS, CONSULTEZ LE SITE INTERNET SUIVANT
www.grillpartsonline.com

MISES EN GARDE GÉNÉRALES

▲ MISES EN GARDE

- Ne jamais utiliser du gaz naturel dans un appareil conçu pour fonctionner au gaz propane liquide.
- Jamais utilisez le charbon de bois ou le bois briquets dans un gril de gaz. Des puces d'assaisonnement doivent être contenues dans un cadre de tabagisme en métal pour contenir la cendre et pour empêcher les feux.
- Vérifier la présence de fuites à tous els raccords avant d'utiliser pour la première fois, même si le gril a été acheté entièrement assemblé, et après chaque remplissage du réservoir.
- Ne jamais vérifier la présence de fuites à l'aide d'une allumette ou d'une flamme nue.

▲ ATTENTION! De fortes odeurs, le rhume, la congestion des sinus, etc. peuvent empêcher de déceler l'odeur du propane. Faire preuve de prudence et de bon sens lors de la vérification de la présence de fuites.

- Toujours tenir votre gril au gaz exempt d'essence, du liquide d'allumage, de diluant ou d'autres liquides ou vapeurs inflammables ou de matières combustibles.
- Toujours vérifier le gril avant chaque utilisation selon les indications de la section intitulée « Liste des contrôles préalables à l'allumage » du présent guide.
- NE PAS obstruer la circulation de l'air de combustion ou d'aération.
- Ne jamais placer un poids de plus de 15 livres sur le brûleur latéral. NE PAS vous appuyer sur la tablette du brûleur latéral.
- Tenir les enfants et les animaux domestiques éloignés du gril chaud. NE PAS permettre à des enfants d'utiliser ce gril ou de jouer à proximité.
- NE PAS laisser le gril sans surveillance pendant son utilisation.
- NE PAS laisser le tuyau du gaz venir en contact avec des surfaces chaudes.
- NE PAS laisser la graisse qui s'écoule de l'orifice de drainage tomber sur le tuyau ou le robinet régulateur.
- Tenir tous les fils électriques à l'écart de l'eau ou des surfaces chaudes.
- Garder sous la main un extincteur utilisable avec les produits du gaz. Consulter l'autorité locale pour connaître la taille et le type d'extincteur adéquats.
- Usage domestique seulement. NE PAS utiliser ce gril à des fins autres que celle pour laquelle il a été conçu.
- NE PAS vous en servir lorsque vous avez les facultés affaiblies par des stupéfiants ou l'alcool.
- Le gril est chaud lorsque vous l'utilisez. Pour éviter les brûlures:
 - NE PAS tenter de déplacer le gril.
 - bloquer les roues de sorte que l'appareil ne se déplace pas accidentellement.
 - porter des gants de protection ou des gants de cuisine.
 - NE toucher AUCUNE surface chaude du gril.
 - NE PAS porter des vêtements amples ni permettre que vos cheveux viennent en contact avec le gril.

▲ FAIRE PREUVE DE PRUDENCE ET DE BON SENS LORS DE L'UTILISATION DE VOTRE GRIL AU GAZ.

LE DÉFAUT DE RESPECTER LES MISES EN GARDE DE SÉCURITÉ ET LES CONSIGNES CONTENUES DANS LE PRÉSENT GUIDE PEUT RÉSULTER EN DES BLESSURES GRAVES OU DES DOMMAGES IMPORTANTS.

CONSERVER LE PRÉSENT GUIDE POUR CONSULTATION FUTURE.

⚠ MISE EN GARDE

- **UTILISER EN PLEIN AIR SEULEMENT. NE PAS** faire fonctionner à l'intérieur ou dans un espace fermé tel qu'un garage, une remise ou un passage couvert.
- Utiliser votre grill **À L'EXTÉRIEUR**, dans un endroit bien aéré à l'écart des habitations ou des autres bâtiments afin de prévenir les dangers reliés à l'accumulation de gaz et aux vapeurs toxiques. Nous recommandons de placer votre grill à au moins 10 pieds (3,1 m) des bâtiments.
- Garder un dégagement minimal de 91 cm (36 po) entre tous les côtés du grill, les gardes, les murs ou tout autre matériau combustible. **NE PAS** utiliser le grill dans un endroit couvert par des matériaux combustibles qui ne sont pas protégés.
- **NE PAS** utiliser ou installer ce grill à bord d'un véhicule récréatif ou d'un bateau.

⚠ MISE EN GARDE

- **NE PAS** utiliser de conduits en métal dur, quels qu'ils soient, pour brancher ce grill converti au gaz naturel. N'utiliser que les tuyaux conçus pour être utilisés avec du gaz naturel recommandés par le fabricant. L'utilisation de tuyaux en métal dur ou de tuyaux en métal vrillé n'est pas sécuritaire. Le mouvement du grill pourrait entraîner le bris du tuyau.
- L'appareil et sa valve individuelle de coupure d'alimentation doivent être déconnectés de l'alimentation en gaz au moment de tester les fuites du système à une pression qui ne doit pas excéder 1/2 psi (3,5 kPa).
- L'appareil doit être isolé de l'alimentation en gaz au moment en fermant la valve de coupure des gaz manuelle au moment de tester les fuites du système à une pression qui ne doit pas excéder 1/2 psi (3,5 kPa).
- Ce grill est conçu pour utiliser avec du gaz naturel à une pression de 7 pouces de colonne d'eau. Vérifier la pression de l'alimentation en gaz auprès de la société distributrice. N'est pas fabriqué pour utiliser avec du gaz de pétrole liquéfié.
- Les connexions à l'alimentation en gaz doivent être effectuées par un plombier certifié.

RENSEIGNEMENTS SUR L'INSTALLATION:

L'installation de cet appareil doit être conforme à ce qui suit:

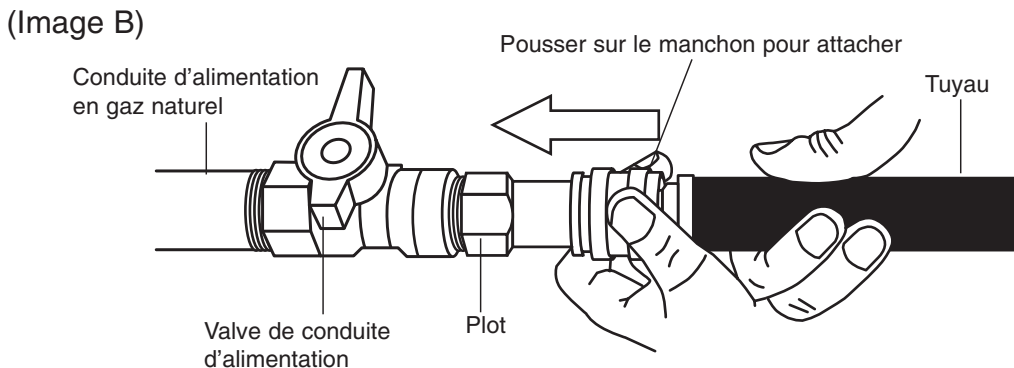
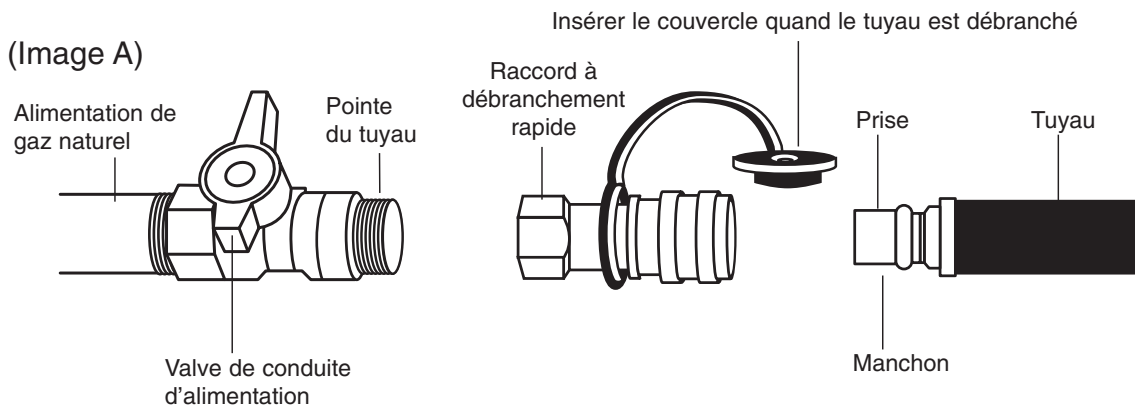
tous les codes locaux applicables ou, en l'absence de codes locaux, à l'un des codes suivants:

- National Fuel Gas Code ANSI Z223, NFPA 54
- Code d'installation du gaz naturel et du propane CAN/ACG B149.1
- Code d'installation du gaz naturel CAN/ACG B149.1 (Canada)
- Code d'installation du propane CAN/ACG B149.2 (Canada)

Pour vérifier les codes locaux, consulter votre société de gaz naturel. Ce grill n'est pas conçu pour être branché à un tuyau d'alimentation de gaz naturel. Si une source électrique externe est utilisée, il doit être mis à la masse conformément aux codes locaux ou, en l'absence de codes locaux, au National Electrical Code ANSI/NFPA 70 ou au Code Canadien de l'électricité CSA 22.1.

CONNECTER UN GRILL À UNE SOURCE DE GAZ NATUREL

1. Enrober la pointe du tuyau avec du ruban en téflon résistant au gaz ou l'enduire d'une pâte lubrifiante. Serrer le raccord à débranchement rapide sur la pointe du tuyau qui est orientée vers l'alimentation en gaz naturel (image A.).
2. Une fois l'assemblage du grill complété, s'assurer que la valve de l'alimentation en gaz naturel est à la position « FERMÉ » et connecter le tuyau de gaz naturel à l'embranchement. Repoussez le manchon sur le plot (la figure B) et insérez la prise jusqu'à ce que le manchon se casse en avant, verrouillant la prise dans le plot. Soyez sûr à l'essai d'étanchéité ces connexions avant l'utilisation.



DÉCONNECTER LE GRILL DE L'ALIMENTATION EN GAZ NATUREL

1. Fermer la valve de la conduite d'alimentation en gaz.
2. Pour déconnecter, pousser sur le manchon et tirer la prise hors du manchon.

⚠ AVERTISSEMENT

- **Ne jamais utiliser le grill sans effectuer d'essai d'étanchéité sur chaque connexion et tuyau de gaz. Consulter la section sur les « Essais d'étanchéité » du manuel pour connaître la procédure.**
- **Inspecter visuellement chaque assemblage de tuyau avant chaque utilisation afin de voir s'il y a apparence de dommages, d'usure excessive ou de détérioration.**

⚠ DANGER

ÉPREUVES D'ÉTANCHÉITÉ:

Pour éliminer les risques d'incendie ou d'explosion:

- **NE PAS fumer ou permettre que des sources d'inflammation se trouvent dans le secteur en procédant à une épreuve d'étanchéité.**
- **N'effectuer les épreuves qu'à l'EXTÉRIEUR, dans un endroit bien aéré.**
- **Ne jamais effectuer une épreuve d'étanchéité à l'aide d'une allumette ou d'une flamme nue.**
- **Ne jamais effectuer une épreuve d'étanchéité pendant l'utilisation du grill ou pendant que le grill est chaud.**

⚠ AVERTISSEMENT

QUAND EFFECTUER UN ESSAI D'ÉTANCHÉITÉ

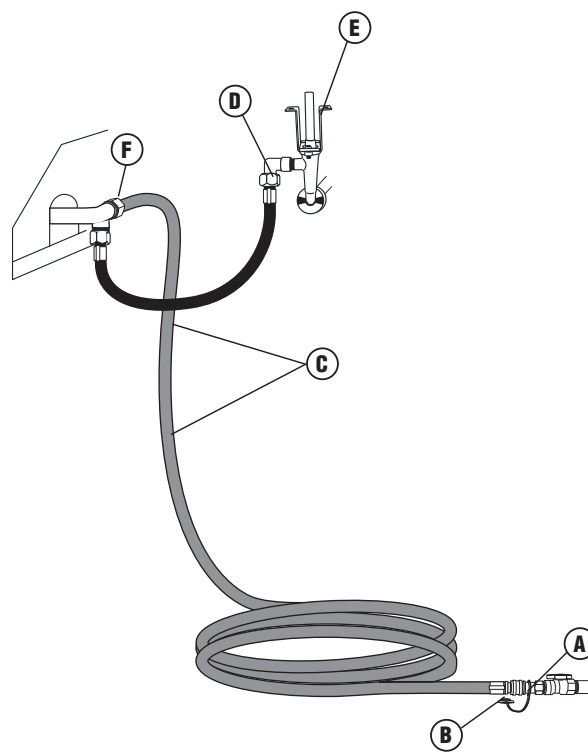
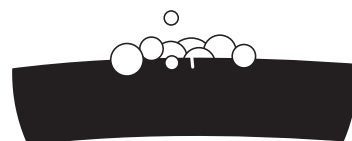
- **Après l'assemblage du grill et avant de l'allumer pour la première fois, même s'il a été acheté entièrement assemblé.**
- **Chaque fois qu'une composante est remplacée.**
- **Chaque fois que le grill est déplacé.**
- **Au moins une fois par an ou si le grill n'a pas été utilisé pendant plus de 60 jours.**

VÉRIFICATION DES FUITES

1. Préparer un mélange de 50 % d'eau et 50 % de savon à vaisselle liquide.
2. Ouvrir le couvercle.
3. S'assurer que tous les boutons de commande sont à la position « OFF ».
4. S'assurer que le tuyau de gaz est fermement fixé à la source de gaz.
5. Ouvrir l'alimentation en gaz à la source.
6. Appliquer le mélange d'eau et de savon sur les composantes suivantes :

- Ⓐ Raccord à débranchement rapide.
- Ⓑ Couvercle et la connexion de tuyau.
- Ⓒ Totalité du tuyau d'alimentation en gaz.
- Ⓓ Connexion du tuyau d'alimentation à l'assemblage de la valve du brûleur latéral.
- Ⓔ Couvercle de la tige de la valve du brûleur latéral.
- Ⓕ Connexion du tuyau à la rampe d'alimentation.

Vérifier la formation de bulles



7. Vérifier chaque endroit indiqué (A à F) pour déceler la formation de bulles indiquant une fuite.
8. Couper l'alimentation en gaz à la source.
9. Tourner les boutons de commande en position « MARCHE » pour laisser échapper la pression dans le tuyau.
10. Tourner les boutons de commande en position "OFF" (arrêt).
11. Serrer tous les raccords non étanches.
12. Répéter le test de l'eau savonneuse jusqu'à ce qu'aucune bulle ne se forme
13. Couper l'alimentation en gaz à la source jusqu'au moment de vous servir du gril.
14. Enlever tout résidu de savon à l'aide d'eau froide et essuyer à l'aide d'une serviette.
15. Attendre cinq minutes afin de permettre à tout le gaz de quitter le secteur avant d'allumer le gril.

⚠ ATTENTION: NE PAS utiliser le gril si vous ne pouvez pas arrêter les fuites. Communiquer avec un service qualifié de réparation des appareils au gaz.

Note: Les épreuves d'étanchéité doivent être effectuées dans un endroit bien éclairé afin de voir si des bulles apparaissent.

⚠ MISE EN GARDE

LISTE DE CONTRÔLE AVANT L'ALLUMAGE:

Le fait de ne pas suivre les consignes de sécurité ci-après peut entraîner des dommages, des blessures, des brûlures graves et la mort. Ces consignes doivent être appliquées une fois le gril assemblé et avant chaque utilisation. NE PAS utiliser ce gril avant d'avoir lu et compris TOUTES les mises en garde et les directives contenues dans le présent guide.

LISTE DE CONTRÔLE AVANT L'ALLUMAGE:

- Vous assurer que le gril est assemblé correctement.
- Inspecter le tuyau du gaz avant chaque utilisation pour vous assurer de l'absence de brûlures, de gerçures et de coudes et que le cheminement est correct. Si vous découvrez des traces d'usure excessive ou si le tuyau est coupé, il doit être remplacé avant d'utiliser le gril.
- Vérifier la présence de fuites à tous les raccords du gaz et au tuyau. Voir la section intitulée « Épreuves d'étanchéité ».
- Vous assurer que tous les fils électriques sont bien mis à la masse. Tenir tout fil électrique et tuyau de gaz éloigné des surfaces chaudes. Le tuyau doit être à au moins trois pouces des surfaces chaudes.
- Placer votre gril sur une surface de niveau dans un endroit bien aéré, à une distance sécuritaire des matières combustibles, des bâtiments et des surplombs.
- Placer correctement le contenant à graisse vide sous l'orifice de drainage, au fond du gril, pour recevoir la graisse pendant l'utilisation.
- NE PAS obstruer la circulation de l'air de combustion et d'aération.

⚠ MISE EN GARDE

Lire, bien comprendre et respecter toutes les mises en garde et directives contenues dans le présent guide. N'omettre AUCUNE mise en garde et directive contenue dans les sections précédentes du présent guide.

⚠ MISE EN GARDE

CONSIGNES D'ALLUMAGE:

Suivre les consignes rigoureusement.

1. **OUVRIRE LE COUVERCLE DU GRIL** avant de tenter d'allumer un brûleur afin d'éviter l'accumulation de vapeurs à l'intérieur du gril. Une explosion pourrait se produire si le couvercle est fermé.
2. Vous assurer que tous les boutons de commande des brûleurs sont en position "OFF" (arrêt) et que l'alimentation en gaz à la source est fermé.
3. Ouvrir complètement l'alimentation en gaz.
4. **NE PAS** placer votre tête, votre corps ou vos bras au-dessus du gril lors de l'allumage.

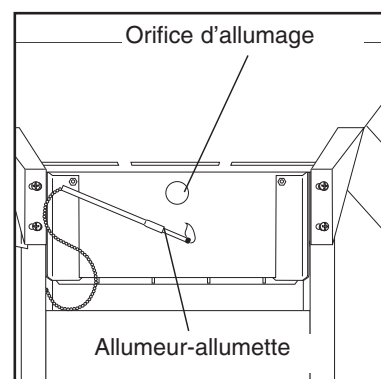
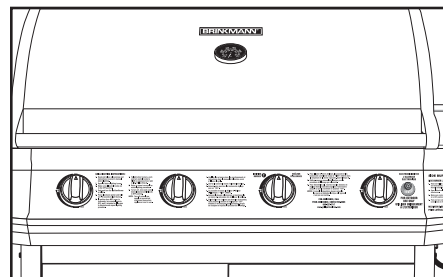
ALLUMAGE DES BRÛLEURS PRINCIPAUX:

1. Ouvrir le couvercle avant d'allumer un brûleur.
2. S'assurer que toutes les manettes sont en position "OFF" (arrêt).
3. Appuyer et tourner le brûleur pour l'allumage à la position HIGH.
4. Appuyer sur l'allumeur électronique pendant 3 à 5 secondes pour allumer le brûleur.
5. Si l'allumage ne se produit PAS en 5 secondes, tourner la manette sur "OFF" (arrêt), attendre 5 minutes pour permettre au gaz de se dissiper et répéter les opérations d'allumage.
6. Pour allumer d'autres brûleurs, la poussée et les boutons de contrôle de virage à "HIGH" (maximum) dans la séquence de la droite à gauche. Suivre l'Etape 5.
7. Référez-vous au manuel d'utilisation pour la procédure d'allumage par allumette.
8. Pour éteindre le gril, tournez tous les boutons de réglage dans le sens des aiguilles d'une montre jusqu'à ce qu'ils s'arrêtent en position "OFF" (arrêt).

Remarque: Si un brûleur ne s'allume pas ou si sa flamme est trop faible, cela peut être dû à une obstruction causée par des araignées ou d'autres insectes, ou à une activation du limiteur de débit. Voir la rubrique "Assemblage / entretien des brûleurs" de la section "Entretien approprié".

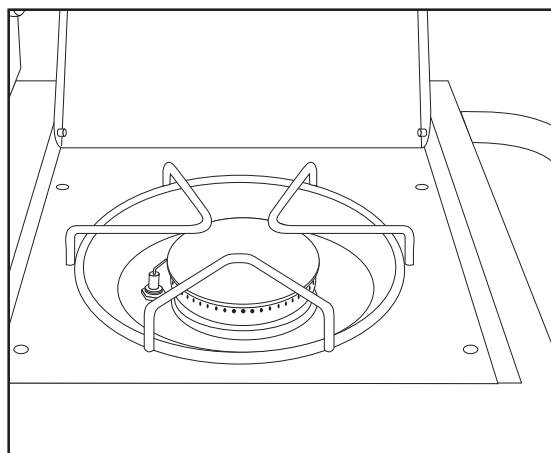
ALLUMAGE DES BRÛLEURS PRINCIPAUX À L'AIDE D'UNE ALLUMETTE:

1. Ouvrir le couvercle avant l'allumage.
2. Tourner les manettes des brûleurs sur "OFF" (arrêt).
3. Placer une allumette à l'extrémité de l'allumeur à allumette. Gratter l'allumette et l'introduire dans le trou d'allumage sur le côté gauche du gril en l'approchant de 1 à 2 cm (1/2 po) environ du brûleur.
4. Tourner la manette de brûleur **LA PLUS À GAUCHE** en position "HIGH" (maximum). Le brûleur doit s'allumer en 5 secondes.
5. Si le brûleur ne s'allume pas, tourner la manette sur "OFF" (arrêt) et attendre 5 minutes pour permettre au gaz de se dissiper, puis répéter les opérations d'allumage.
6. Une fois l'allumage obtenu, allumer les brûleurs voisins l'un après l'autre en appuyant sur leur manette et en la tournant en position "HIGH" (maximum).
7. Si le brûleur ne s'allume pas à la suite des premières tentatives d'allumage au moyen d'une allumette, il y a un problème d'arrivée de gaz. Couper celle-ci au niveau du brûleur et d'alimentation en gaz naturel. **NE PAS** essayer de faire fonctionner le gril tant que le problème n'est pas identifié et corrigé. Voir la section "Dépannage" de cette notice.



ALLUMAGE DU BRÛLEUR LATÉRAL:

1. Ouvrir le couvercle avant d'allumer le brûleur latéral.
2. S'assurer que la manette est en position "OFF" (arrêt).
3. Appuyer sur la manette du brûleur latéral et la tourner en position "HIGH" (maximum).
4. Appuyer sur l'allumeur électronique du panneau de commande principal pendant 5 secondes pour allumer le brûleur.
5. Si le brûleur ne s'allume pas, tourner la manette sur "OFF" (arrêt) et attendre 5 minutes pour permettre au gaz de se dissiper, puis répéter les opérations d'allumage.
6. Pour éteindre, tourner chaque manette dans le sens horaire usqu'à ce qu'elle se bloque en position "OFF" (arrêt).



Remarque: Si le brûleur ne s'allume pas ou si sa flamme est trop faible, cela peut être dû à une obstruction causée par des araignées ou d'autres insectes, ou à une activation du limiteur de débit. Voir la rubrique "Assemblage / entretien des brûleurs" de la section "Entretien approprié" ou la rubrique "Réinitialisation du détendeur" de la section "Raccordement de la bouteille de propane liquéfié et de l'ensemble tuyau / détendeur au grill".

ALLUMAGE DU BRÛLEUR LATÉRAL À L'AIDE D'UNE ALLUMETTE:

1. Ouvrir le couvercle du brûleur latéral avant l'allumage.
2. Tourner le bouton de commande du brûleur à la position "OFF" (arrêt).
3. Allumer une allumette et la placer à environ 1/2 po (1 à 2 cm) du brûleur.
4. Tourner le bouton de commande du brûleur latéral à la position "HIGH" (maximum). Le brûleur doit s'allumer en moins de cinq secondes.
5. Si le brûleur ne s'allume pas, tourner le bouton de commande à la position "OFF" (arrêt) et attendre cinq minutes afin que le gaz se dissipe, puis répéter la procédure d'allumage.
6. Si le brûleur ne s'allume pas lors des premières tentatives d'allumage à l'aide d'une allumette, l'alimentation en gaz est en cause. Couper le gaz au brûleur et à la bouteille. **NE PAS** tenter de faire fonctionner le grill tant que le problème n'aura pas été défini et corrigé. Voir la section intitulée "Dépannage" dans le présent guide.

Remarque: Observer la hauteur de la flamme après l'allumage. La flamme doit être d'un bleu jaunâtre et avoir une hauteur de 1 à 2 pouces lorsque le brûleur est réglé à "HIGH" (maximum).



FERMETURE DU GRIL:

1. Fermer la source de gaz naturel.
2. Tourner les boutons de commande de tous les brûleurs à la position "OFF" (arrêt).

Remarque: Fermer l'alimentation en gaz en premier pour éviter de laisser du gaz dans le système.

⚠ ATTENTION!

- La source de gaz naturel doit toujours être en position « OFF » ou fermée lorsque le grill n'est pas utilisé.

⚠ MISE EN GARDE

UTILISATION DU GRIL:

Ne jamais utiliser du charbon de bois ou du liquide d'allumage dans votre gril au gaz. Des copeaux d'assaisonnement doivent être contenus dans un cadre en métal pour contenir la cendre et pour empêcher les feux. Lire et respecter toutes les mises en garde et les directives contenues dans les sections précédentes du présent guide.

MISE EN MARCHÉ DE VOTRE GRIL:

- Dans le cadre de la fabrication et de la protection des composantes de votre gril, des résidus d'huile peuvent se trouver sur les brûleurs et les surfaces de cuisson de votre gril.
- Avant de faire de la cuisson sur votre gril pour la première fois, vous devez le préchauffer pendant 15 minutes à "HIGH" (maximum) pour brûler ces résidus.

PRÉCHAUFFAGE DU GRIL:

- Il est recommandé de préchauffer votre gril avant de l'utiliser. Cela assure que les surfaces de cuisson sont à la température voulue pour saisir les aliments lors de la cuisson. Après avoir allumé votre gril, régler le bouton de commande du brûleur principal à la position "HIGH" (maximum) pendant de 10 à 15 minutes. Fermer le couvercle pendant le préchauffage.

CONTRÔLE DES EMBRASEMENTS:

- Les embrasements font partie de la cuisson des aliments sur un gril au gaz. Cela ajoute à la saveur unique de la cuisson sur un gril au gaz. Les embrasements excessifs peuvent provoquer une cuisson excessive de vos aliments et engendrer une situation dangereuse pour vous et votre gril. Les embrasements excessifs sont le résultat de l'accumulation de graisse au fond de votre gril. Si cela se produit, NE PAS vider de l'eau sur les flammes. Cela peut provoquer des éclaboussures de graisse susceptibles de causer des brûlures ou des blessures graves. Si un incendie de graisse se produit, fermer le couvercle et fermer les brûleurs principaux jusqu'à ce que la graisse soit brûlée. Être prudent en ouvrant le couvercle, car des embrasements soudains peuvent se produire.

⚠ MISE EN GARDE

- **NE PAS laisser le gril sans surveillance pendant son utilisation.**
- **NE PAS déplacer le gril pendant son utilisation. Bloquer les roues en place afin de stabiliser le gril.**
- **NE PAS utiliser de l'eau pour éteindre les embrasements.**
- **Avoir sous la main un extincteur utilisable avec les appareils au gaz.**

RÉDUCTION DES EMBRASEMENTS AU MINIMUM:

- Enlever le surplus de gras des viandes avant de les cuire.
- Cuire les viandes à forte teneur en graisse (poulet ou porc) à de basses températures ou indirectement.
- Vous assurer que votre gril est sur une surface de niveau et que la graisse peut s'écouler par l'orifice de drainage au fond du grill dans le contenant à graisse.

CUISSON INDIRECTE:

- La cuisson indirecte consiste à cuire vos aliments sans que la source de chaleur se trouve directement sous les aliments. Vous pouvez saisir les viandes sur une flamme élevée, sur un côté du gril, tout en faisant cuire un rôti sur l'autre côté (non allumé) du gril.

CUISSON AU TOURNEBROCHE:

- Nous avons percé en usine dans votre gril des trous permettant de monter un tournebroche. Ne pas utiliser un tournebroche qui n'est pas fabriqué spécialement pour ce gril.
- Lire et suivre toutes les directives fournies avec le tournebroche. Conserver les directives pour consultation future.
- Ne pas utiliser le brûleur latéral en même temps qu'un tournebroche.

⚠ MISE EN GARDE

- Lorsque vous utilisez un tournebroche à courant alternatif, il doit être mis à la masse conformément aux codes locaux ou, en l'absence de codes locaux, à ce qui suit:
 - Aux États-Unis, le National Electrical Code ANSI-NFPA no 70, dernière édition;
 - Au Canada, le Code canadien de l'électricité CSA C22.1.
- Le tournebroche est muni d'une fiche triphasée pour vous protéger contre les chocs électriques. Cette fiche doit être branchée directement dans une prise triphasée adéquatement mise à la masse. Ne jamais couper ou enlever la broche de masse. Toute rallonge utilisée doit également être munie d'une prise triphasée.
- Toutes les cordes d'alimentation électrique devraient être maintenues parties de l'eau et de toutes les surfaces chaudes du gril.

UTILISATION DES AUTRES CARACTÉRISTIQUES DU GRIL:

BRÛLEUR LATÉRAL:

- Le brûleur latéral peut servir à préparer des plats d'accompagnement tels que des fèves, des pommes de terre ou des sauces chaudes.
- La soupape du brûleur peut se régler de maximum à minimum selon vos besoins de cuisson.

⚠ MISE EN GARDE

- Lire les consignes d'allumage de votre gril pour allumer le brûleur latéral.
- Ne jamais fermer le couvercle du brûleur latéral lorsque le brûleur est allumé.
- Utiliser une marmite de 10 pouces de diamètre ou moins SANS poignée allongée lorsque vous cuisinez sur le brûleur latéral. Placer la marmite au centre du brûleur.
- Ne jamais placer un poids de plus de 15 livres sur le brûleur latéral. Le brûleur latéral n'est pas construit pour supporter un poids de plus de 15 livres.
- Faire preuve de prudence afin d'éviter de frapper le gril, le brûleur latéral ou la marmite pour éviter que la marmite déverse son contenu et provoque des brûlures graves.
- NE PAS utiliser le brûleur latéral pour frire des aliments dans l'huile afin d'éliminer les dangers liés à l'huile qui s'enflamme et crée une situation très dangereuse.

CONSEILS DE CUISSON SUR LE GRIL

PROPRETÉ

- Toujours vous laver les mains à fond avec du savon et de l'eau chaude avant de manipuler des aliments et après avoir manipulé de la viande crue, de la volaille non cuite ou des fruits de mer.
- Lorsque vous utilisez un plateau pour transporter de la viande crue, de la volaille non cuite ou des fruits de mer jusqu'au gril, vous assurer de laver le plateau à fond avec du savon et de l'eau chaude avant de placer ensuite des aliments cuits sur le plateau, ou utiliser des plateaux différents pour les aliments crus et cuits.
- Ne jamais utiliser les mêmes ustensiles pour manipuler de la viande crue, de la volaille non cuite ou des fruits de mer à moins de laver les ustensiles à fond avec du savon et de l'eau chaude.
- Ne jamais réutiliser de la marinade provenant de viande crue ou de volaille non cuite sur des aliments qui ont été cuits et qui sont prêts à servir.

GRILLAGE À LA BONNE TEMPÉRATURE

- Utiliser un thermomètre à viande pour vous assurer que les aliments ont atteint une température interne sécuritaire.
- Le département américain de l'Agriculture recommande des températures **minimales** à atteindre pour les aliments suivants:

Côtelettes	63 °C (145 °F)
Viande hachée	71 °C (160 °F)
Porc	71 °C (160 °F)
Volaille	82 °C (180 °F)
Rôtis	63 °C (145 °F)
Fruits de mer	60 °C (140 °F)
Légumes	63 °C (145 °F)

CONSEILS UTILES

- Si vous précuisez la viande ou la volaille, le faire immédiatement avant de la griller.
- Ne jamais décongeler la viande à la température de la pièce ou en la laissant sur un comptoir.
- Réfrigérer les restes dans les deux heures suivant le retrait des aliments du gril.
- Pour de plus amples renseignements, veuillez téléphoner au service de téléassistance sur la viande et la volaille de l'USDA, au 800-535-4555.

SOINS ET ENTRETIEN APPROPRIÉS

- Pour protéger le gril d'une rouille excessive, veiller à ce qu'il reste toujours propre et couvert lorsqu'il n'est pas en service. Il est possible de commander une housse directement auprès de Brinkmann en appelant le 800-468-5252 ou le 800-527-0717.
- Laver les grilles de cuisson et les plaques de rayonnement de chaleur à l'eau savonneuse chaude, bien les rincer et les sécher. Huiler légèrement la grille de cuisson avec de l'huile végétale en bouteille ou en pulvérisateur.
- Nettoyer l'intérieur et l'extérieur du gril en les essuyant avec un chiffon humide. Huiler légèrement la surface intérieure avec de l'huile végétale en bouteille ou en pulvérisateur pour l'empêcher de rouiller.
- Si de la rouille apparaît sur la surface extérieure du gril, nettoyer et frotter la zone affectée avec de la paille de fer ou de la toile émeri à grain fin. Retoucher avec de la peinture de bonne qualité résistant aux hautes températures.
- La surface extérieure d'acier inoxydable de votre gril, peut être nettoyée avec le décapant d'acier inoxydable.
- Ne jamais peindre la surface intérieure. Frotter aux points de rouille de la surface intérieure, nettoyer puis huiler légèrement avec de l'huile végétale en bouteille ou en pulvérisateur pour minimiser la rouille.

NETTOYAGE ET ENTRETIEN:

- Tenir l'appareil à l'écart des produits combustibles, de l'essence et des liquides ou vapeurs inflammables.
 - Garder les ouvertures d'aération de l'enceinte de la bouteille dégagées et exemptes de débris.
 - Vérifier visuellement le bon fonctionnement des flammes des brûleurs (voir l'illustration dans la section intitulée « Assemblage et entretien des brûleurs » sous Soins et entretien appropriés). Des araignées ou d'autres insectes peuvent faire leur nid dans le brûleur, bloquant ainsi le gaz.
 - Pour assurer une utilisation sécuritaire et la performance optimale de votre gril, procéder à ces vérifications au moins deux fois par année ou après les périodes prolongées d'entreposage.
 - Veiller à bien serrer toutes les pièces de quincaillerie (écrous, boulons, vis, etc.) au moins deux fois par année.
- ⚠ ATTENTION!** Les bords de certaines pièces peuvent être coupants. Porter des gants de protection au besoin.
- Retirer les grilles de cuisson, les plaques de diffusion thermique et les brûleurs de l'intérieur de votre gril. Enlever les résidus excessifs à l'aide d'une brosse, d'eau chaude et de détergent. **NE JAMAIS** vous servir de produit commercial à nettoyer les fours. Bien rincer à l'eau. Assécher avec une serviette et replacer tous les composants de la manière décrite dans les consignes d'assemblage.

ASSEMBLAGE ET ENTRETIEN DES BRÛLEURS

- Bien que les brûleurs soient fabriqués d'acier inoxydable, il est possible qu'ils rouillent en raison de la chaleur extrême et des acides qui se dégagent de la cuisson des aliments. Vérifier régulièrement les brûleurs pour y déceler des fissures, des trous anormaux et d'autres signes de dommages causés par la corrosion. Si vous en découvrez, remplacer le brûleur.
- **NE PAS obstruer la circulation de l'air de combustion ou d'aération.** Les tubes des brûleurs peuvent se bloquer si des araignées et d'autres insectes y construisent leur nid. Des tubes de brûleurs bloqués peuvent empêcher le gaz de parvenir aux brûleurs et provoquer un incendie de tube de brûleur ou un incendie derrière le gril. Pour nettoyer un brûleur, suivre ces directives pour nettoyer ou remplacer les pièces du brûleur ou si vous éprouvez des difficultés à allumer le gril.

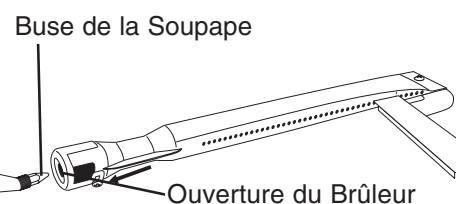
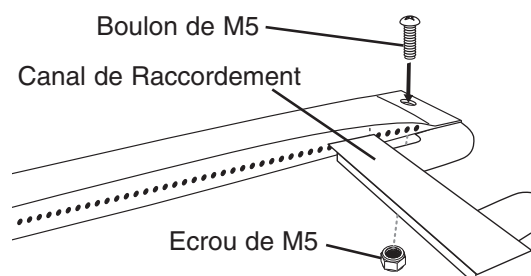
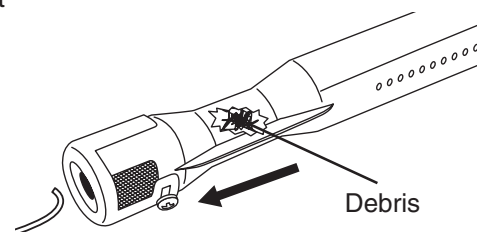
1. Couper le gaz au moyen des boutons de commande et du robinet de la bouteille de GPL.
2. Retirer les grilles de cuisson et les plaques de diffusion thermique.
3. Enlever les vis de la base de chaque brûleur à l'aide d'un tournevis.
4. Soulever soigneusement chaque voie vers le haut tout en s'éloignant des brûleurs.
5. Soulever doucement chaque brûleur et l'éloigner des ouvertures de soupape.
6. Passer une petite brosse à bouteille ou un fil rigide replié en crochet dans chaque tube de brûleur et orifice de combustion plusieurs fois.

Note: Porter un protecteur oculaire pour exécuter l'étape 6.

7. Souffler de l'air comprimé dans le tube du brûleur et les orifices de combustion. Vous assurer que l'air sort de chaque orifice de combustion.
8. Brosser toute la surface externe du brûleur pour enlever les résidus d'aliments et la saleté.
9. Vérifier si le brûleur est endommagé, et si vous découvrez des fissures ou des trous importants, remplacer le brûleur.

IMPORTANT: Le bout du brûleur doit glisser sur la buse de la soupape.

10. Aligner soigneusement les traverses entre les brûleurs et orienter les brûleurs **CORRECTEMENT** en alignant les trous des vis du brûleur vers la gauche tel qu'illustré.

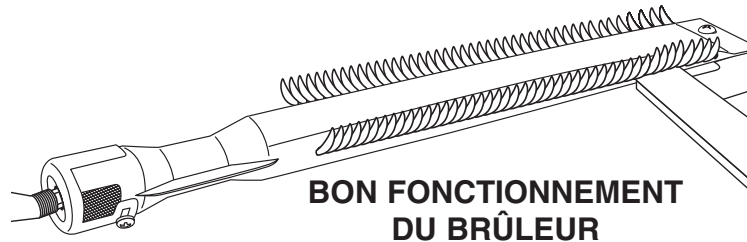


ASSEMBLAGE DU BRÛLEUR / ENTRETIEN SUITE

11. Replacer les écrous et les boulons M5 sur chaque brûleur et traverse.

Note : Suivre les indications de la section « Inspection des conduites pour les fuites » de ce manuel.
Rallumer les brûleurs pour voir s'ils fonctionnent normalement.

12. Remettre les grilles de cuisson
et les plaques de diffusion
thermique en place.



GRILLES DE CUISSON

- Nettoyer à l'aide de détergent doux et d'eau. Vous pouvez utiliser une brosse de laiton ou un tampon de nettoyage de nylon pour enlever les résidus des surfaces d'acier inoxydable. Ne pas utiliser une brosse d'acier pour nettoyer les grilles de cuisson. L'acier peut faire écailler ou fendiller le fini. NE PAS vous servir d'un produit commercial à nettoyer les fours.

PLAQUES DE DIFFUSION THERMIQUE

- Il peut être nécessaire d'inspecter et de nettoyer régulièrement les plaques de diffusion thermique pour empêcher l'accumulation excessive de graisse. Lorsque le gril est froid, retirer les grilles de cuisson. Vérifier les plaques de diffusion thermique et les remplacer si elles sont cassées ou endommagées. Ne pas laisser les plaques de diffusion thermique devenir endommagées au point où elles pourraient tomber sur les brûleurs. Remettre les plaques de diffusion thermique et les grilles de cuisson et allumer les brûleurs. Faire fonctionner à "HIGH" (maximum) pendant 10 minutes pour éliminer l'excès de graisse.

⚠ MISE EN GARDE

TRANSPORT ET ENTREPOSAGE:

- Ne jamais déplacer le gril lorsqu'il est chaud ou que des objets se trouvent sur les surfaces de cuisson.
- Vous assurer que la source de gaz naturel est fermée. Après avoir déplacé le gril, vous assurer qu'il n'y a aucune fuite à tous les raccords de gaz. Voir les directives sur les épreuves d'étanchéité.
- NE PAS ranger une bouteille de GPL de réserve (pleine ou vide) sous votre gril ou à proximité.
- Ne jamais ranger des liquides inflammables ou des aérosols sous votre gril ou à proximité.
- NE PAS utiliser de l'eau pour éteindre les incendies de graisse.
- Si l'appareil au gaz de cuisine en plein air n'est pas utilisé, l'alimentation en gaz doit être coupée à la source de gaz naturel.
- Lors de la remise du gril en service, des nids d'araignées ou d'autres débris peuvent bloquer les brûleurs. Consulter la section intitulée « Assemblage et entretien des brûleurs » sous Soins et entretien appropriés.

AVANT D'ENTREPOSER VOTRE GRIL:

- Vous assurer que le robinet de la bouteille est bien fermé.
- Nettoyer toutes les surfaces.
- Couvrir les brûleurs d'une mince couche d'huile à friture pour empêcher la corrosion excessive.
- Si vous entreposez le gril à l'intérieur, débrancher le tuyau de la source de gaz naturel.
- Insérer un couvercle de protection dans le raccord à déconnexion rapide. Veuillez consulter la section « Brancher le gril à la source d'alimentation en gaz naturel ».
- Nettoyer les brûleurs avant de vous en servir après une période d'entreposage, au début de la saison d'utilisation ou après une période de plus d'un mois d'inutilisation. Les araignées et les insectes aiment construire leurs nids dans les tubes des brûleurs (particulièrement durant la saison froide). Ces nids peuvent provoquer des incendies dans les tubes des brûleurs ou sous le gril.
- Si vous entreposez le gril à l'extérieur, couvrir le gril d'une housse de protection contre les intempéries.

DÉPANNAGE

Problème:	Causes Possibles:
<ul style="list-style-type: none"> • Un brûleur ne s'allume pas 	<ol style="list-style-type: none"> 1. Vérifier le niveau de propane liquéfié dans la bouteille. 2. Étincelle d'électrode défectueuse. Vérifier pour voir s'il est possible d'allumer le gril à l'aide d'une allumette. Il peut être nécessaire de régler l'électrode ou la tubulure. 3. Le brûleur n'est peut-être pas bien en place. 4. Le brûleur est peut-être obstrué. 5. Le robinet de la bouteille est peut-être fermé. 6. Le détendeur n'est pas bien en place sur le robinet de la bouteille.
<ul style="list-style-type: none"> • Feu au niveau d'une manette 	<ol style="list-style-type: none"> 1. Les trous du brûleur sont peut-être obstrués. Voir la rubrique "Assemblage / entretien des brûleurs" de la section "Entretien approprié". 2. Le brûleur n'est pas bien en place sur la vanne. 3. Les raccords de gaz sont peut-être desserrés. Contrôler l'étanchéité et serrer tous les raccords.
<ul style="list-style-type: none"> • Flammes jaunes au niveau d'un brûleur 	<ol style="list-style-type: none"> 1. Le brûleur est obstrué. Voir la rubrique "Assemblage / entretien des brûleurs" de la section "Entretien approprié".
<ul style="list-style-type: none"> • Extinction de flamme sur "LOW" (minimum) 	<ol style="list-style-type: none"> 1. Les trous du brûleur sont peut-être obstrués. Voir la rubrique "Assemblage / entretien des brûleurs" de la section "Entretien approprié". 2. Le gril n'est pas préchauffé suffisamment. 3. Le brûleur n'est pas bien en place sur la vanne.
<ul style="list-style-type: none"> • Le gril est trop chaud 	<ol style="list-style-type: none"> 1. Accumulation excessive de graisse causant des feux de graisse. 2. Détendeur endommagé ou défectueux. Le remplacer par un modèle agréé par l'usine. 3. Cuire à une température inférieure.

QUESTIONS POSÉES FRÉQUEMMENT

Le numéro de série et celui de modèle du gril, ainsi que les informations permettant de contacter le service clientèle de Brinkmann, figurent sur la plaque signalétique argentée qui se trouve sur l'arrière du gril ou sur le côté de l'habillage de celui-ci, sous la tablette latérale.

Ces questions et réponses sont d'ordre général et peuvent ne pas s'appliquer à ce modèle de gril.

Question: Pourquoi mon gril ne s'allume-t-il pas correctement?

Réponse: Toujours suivre les instructions d'allumage figurant sur le panneau de commande ou dans cette notice. Vérifier également l'existence possible des causes suivantes:

- Vérifier l'alimentation en gaz naturel.
- Vérifier que tous les branchements de gaz sont bien serrés.
- Il se peut que la pile AA de l'allumeur doive être remplacée.
- Les fils d'allumage sont peut-être mal branchés. Retirer la pile, examiner le boîtier de raccordement de l'allumeur, qui se trouve derrière le panneau de commande, et rebrancher tout fil mal branché.
- Il se peut que les pointes d'électrodes d'allumage doivent être repositionnées. Après avoir coupé l'arrivée de gaz et tourné les manettes en position "OFF" (arrêt), appuyer sur le bouton d'allumeur et demander à une autre personne d'observer les pointes d'électrodes pour voir si une étincelle y est produite. La pointe d'électrode doit être écartée de 5mm (3/16 po) environ du récepteur d'étincelle. Si la pointe d'électrode doit être réglée, la recourber pour obtenir l'écartement approprié.
- Vérifier que l'extrémité de chaque venturi de brûleur se trouve dans la position correcte par-dessus son raccord d'orifice de vanne de gaz.
- Le tuyau de gaz est peut-être obstrué. Pour résoudre ce problème, débrancher l'ensemble tuyau / ou le tuyau de gaz naturel du gril. Ouvrir l'arrivée de gaz pendant une seconde pour voir s'il y a obstruction. S'il n'y a pas d'obstruction, raccorder le tuyau de combustible. Si le tuyau est bouché, le remplacer par un ensemble tuyau.
- Si une obstruction est soupçonnée dans l'ensemble tuyau, un orifice ou des vannes de gaz, appeler le service clientèle de Brinkmann au 800-527-0717.

Question: Comment et quand nettoyer les éléments intérieurs de cuisson de mon gril?

Réponse: Utiliser une brosse en crin ou en laiton pour nettoyer l'intérieur du gril, les grilles de cuisson, les plaques de rayonnement de chaleur et la lèchefrite. Ne jamais utiliser une brosse ni un grattoir métalliques sur les pièces émaillées pour éviter de les rayer ou de les ébrécher et de faciliter ainsi la rouille.

Nettoyage des grilles de cuisson en acier inoxydable: Laver les grilles avec un détergent doux et les rincer à l'eau chaude avant de les utiliser pour la première fois et selon le besoin. NE PAS utiliser un nettoyant pour four du commerce. Pour enlever les résidus coriaces d'aliments, utiliser un dégraissant et une brosse en crin ou en laiton.

Nettoyage des grilles de cuisson en fonte émaillée: Laver les grilles avec un détergent doux et les rincer à l'eau chaude avant de les utiliser pour la première fois et selon le besoin. Pour enlever les résidus coriaces d'aliments, utiliser un dégraissant et une brosse en crin ou en laiton. Les sécher immédiatement avec un chiffon doux ou du papier essuie-tout.

Nettoyage des plaques de rayonnement de chaleur: Nettoyer les plaques de rayonnement de chaleur chaque fois que des aliments ou de la graisse coulent pour réduire les risques de flambées soudaines. Laver les plaques avec un détergent doux et les rincer à l'eau chaude. Pour enlever les résidus coriaces d'aliments, utiliser un dégraissant et une brosse en crin ou en laiton. Ne pas utiliser une brosse ni un grattoir métalliques sur les plaques de rayonnement de chaleur émaillées pour éviter de les rayer ou de les ébrécher et de faciliter ainsi la rouille.

Nettoyage de la lèchefrite et/ou de la boîte à graisse: Examiner la lèchefrite et/ou la boîte à graisse (certains modèles) avant chaque utilisation du gril pour réduire le risque d'incendie. Enlever la graisse (une spatule en plastique est bien adaptée à cette tâche) et laver toutes les pièces avec un mélange de savon ou de dégraissant doux et d'eau chaude.

QUESTIONS POSÉES FRÉQUEMMENT

Question: Qu'est-ce qui fait rouiller les pièces du grill et quel effet cela a-t-il sur les matériaux dont celui-ci est fabriqué?

Réponse: La formation de rouille est un processus d'oxydation naturel qui peut affecter les pièces en fonte et en acier. La rouille n'affectera pas à court terme le rendement du grill. Les pièces en acier inoxydable de celui-ci ne rouilleront pas. Toutefois, un couvercle en acier inoxydable peut prendre la couleur du bronze sous l'action des intempéries ou d'une très forte chaleur. Il s'agit alors d'une décoloration et non de rouille et cela n'est pas considéré comme un défaut de fabrication.

Question: Qu'est-ce qui cause la décoloration du couvercle de mon grill et comment le nettoyer?

Réponse: La fumée, les intempéries et une forte chaleur peuvent faire prendre la couleur du bronze au couvercle en acier inoxydable d'un grill. Ce phénomène ne doit pas être confondu avec la formation de rouille et ne constitue pas un défaut de fabrication. Les huiles pour machines utilisées au cours du processus de production de l'acier inoxydable tout comme les huiles de cuisson et un encrassement du couvercle du grill peuvent également contribuer à la décoloration si le couvercle n'est pas nettoyé avant l'utilisation du grill. Une fois le grill assemblé, enlever la pellicule protectrice de PVC du couvercle du grill, puis utiliser un nettoyant pour acier inoxydable et un chiffon doux pour enlever les résidus d'adhésif et d'huiles de l'intérieur et de l'extérieur du couvercle. Ne jamais utiliser de nettoyants ou tampons à récurer abrasifs. En plus du nettoyage initial, un nettoyage régulier du couvercle pour le décrasser, le dégraisser et le déshuiler contribuera à décourager sa décoloration.

CONTENU DU SAC DE PIÈCES

S'assurer qu'il ne manque aucun des articles mentionnés aux rubriques **LISTE DES PIÈCES** et **CONTENU DU SAC DE PIÈCES** avant de procéder à l'assemblage.

Contenu du Sac de Pièces:

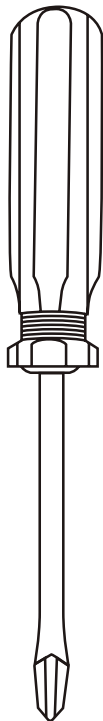
Qte.

- 1 Tournevis
- 1 Clé pour Écrous Hexagonaux
- 28 Boulons M6 X 12mm (Noirs)
- 1 Pile Alcaline AA / 1,5 V
- 4 M6 Écrou de M6 (Noirs)

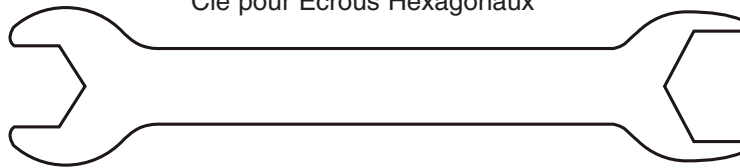
Qte.

- 4 Boulons M6 X 12mm Hexagonaux (Argent)
- 4 Rondelles M6 de Freinage (Argent)
- 20 Rondelles Éventail de M6 (Noirs)
- 2 Vis Autotaraudeuses no 8 (Noirs)

Tournevis



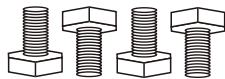
Clé pour Écrous Hexagonaux



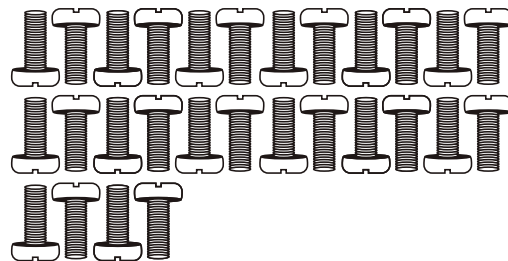
Pile Alcaline AA / 1,5 V



Boulons M6 X 12mm Hexagonaux (Argent)



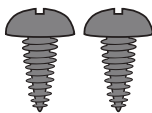
Boulons M6 X 12mm (Noirs)



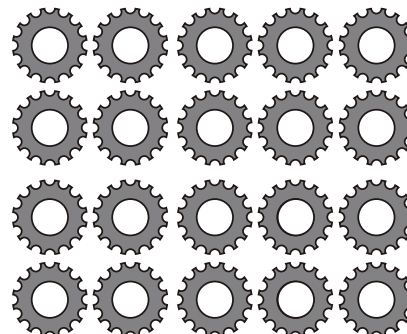
Rondelles M6 de Freinage (Argent)



Vis Autotaraudeuses no 8 (Noirs)



Rondelles Éventail de M6 (Noirs)



Écrou de M6 (Noirs)



INSTRUCTIONS D'ASSEMBLAGE

▲ LIRE ATTENTIVEMENT TOUS LES AVERTISSEMENTS ET INSTRUCTIONS CONCERNANT LA SÉCURITÉ AVANT D'ASSEMBLER ET DE FAIRE FONCTIONNER LE GRIL.

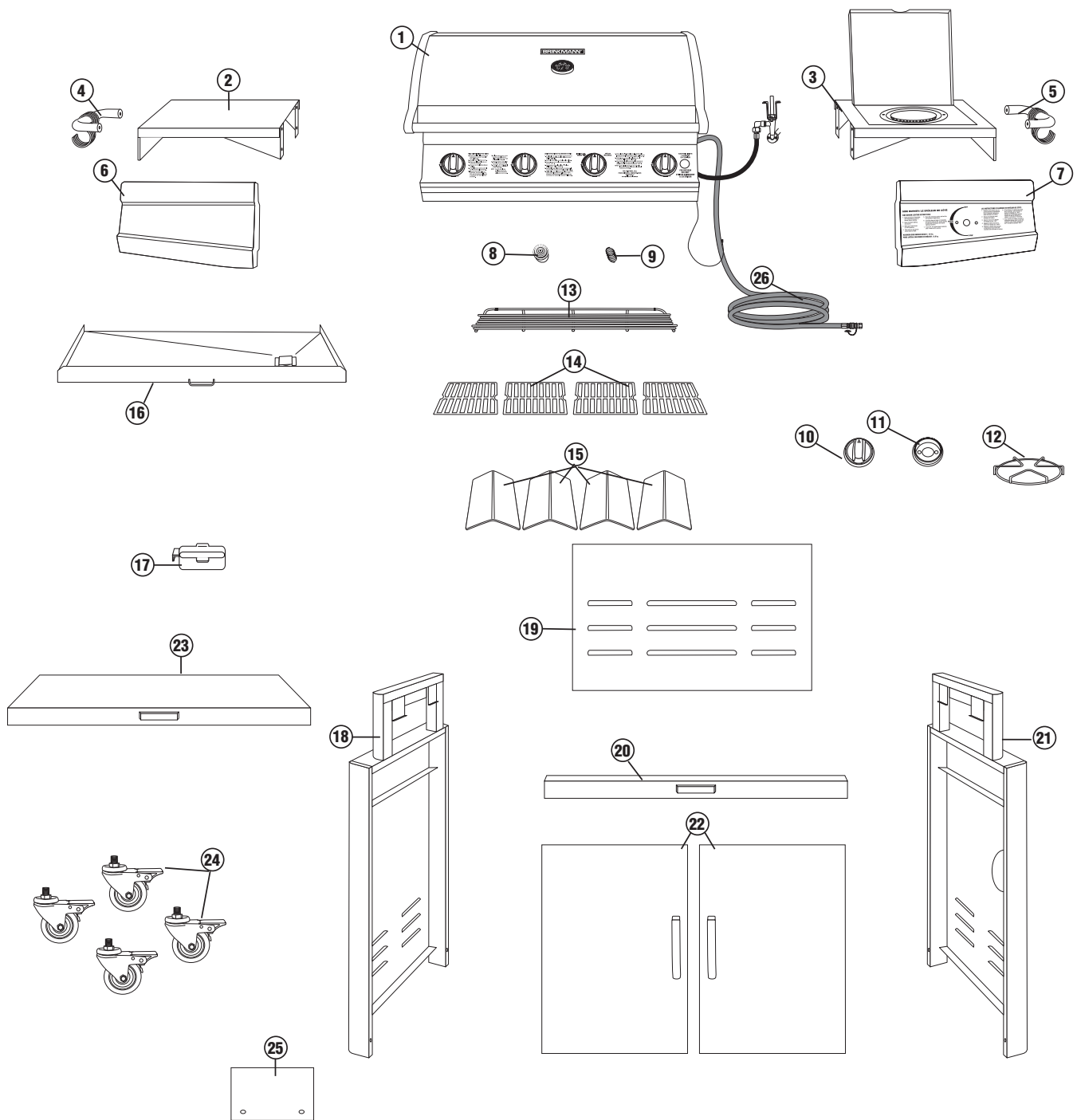
NOUS RECOMMANDONS QUE L'ASSEMBLAGE DE CET APPAREIL SOIT EFFECTUÉ PAR DEUX PERSONNES.

Les outils suivants fournis sont nécessaires pour assembler ce gril à gaz naturel Southgate 8445-N:

- **Tournevis**
- **Clé Hexagonale**

LISTE DES PIÈCES:

- | | | | | | |
|---|---|---|---|---|---------------------------------------|
| ① | 1 | Assemblage du corps du grill | ⑭ | 4 | Grilles de Cuisson |
| ② | 1 | Tablette Gauche | ⑮ | 4 | Plaques de Diffusion Thermique |
| ③ | 1 | Tablette de Brûleur Latéral | ⑯ | 1 | Plateau à Graisse |
| ④ | 1 | Porte-serviettes du Plateau Latéral | ⑰ | 1 | Contenant à Graisse |
| ⑤ | 1 | Porte-serviettes du Brûleur Latéral | ⑱ | 1 | Panneau Latéral Gauche de Chariot |
| ⑥ | 1 | Panneau Avant de Tablette Latérale Gauche | ⑲ | 1 | Panneau Arrière |
| ⑦ | 1 | Panneau Avant de Brûleur Latéral | ⑳ | 1 | Attache de Porte |
| ⑧ | 1 | Bouton d'Allumeur Électronique | ㉑ | 1 | Panneau Latéral Droit de Chariot |
| ⑨ | 1 | Ressort d'Allumeur Électronique | ㉒ | 2 | Portes |
| ⑩ | 1 | Manette de Brûleur Latéral | ㉓ | 1 | Base du Chariot |
| ⑪ | 1 | Collerette de Manette de Brûleur Latéral | ㉔ | 4 | Roulettes à Blocage |
| ⑫ | 1 | Grille de Brûleur Latéral | ㉕ | 1 | Protecteur Contre la Chaleur de tuyau |
| ⑬ | 1 | Chauffe-Plats | ㉖ | 1 | Raccord à débranchement rapide. |

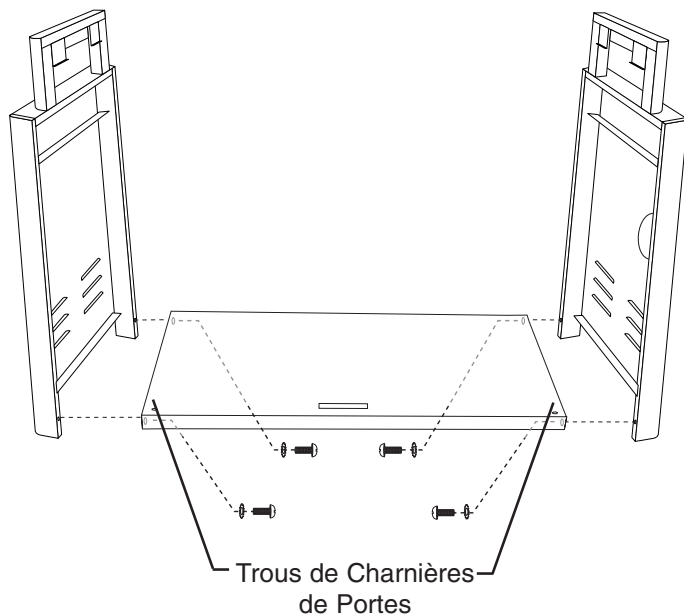


POUR LES COUVERCLES ET ACCESSOIRES POUR GRILLS, CONSULTEZ LE SITE INTERNET SUIVANT www.brinkmann.net

POUR LES PIÈCES DE RECHANGE POUR GRILLS, CONSULTEZ LE SITE INTERNET SUIVANT www.grillpartsonline.com

(Une preuve de l'achat sera demandée.)

Examiner le contenu du carton pour s'assurer qu'aucune pièce n'est manquante ni endommagée.

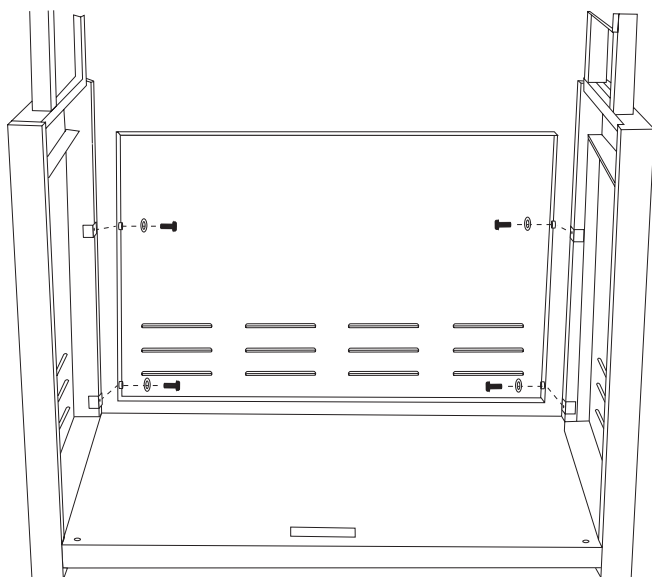


Choisir un endroit adapté et bien dégagé, et demander l'aide d'un ami pour assembler le gril. Poser du carton sur le sol pour protéger le fini du gril et l'aire d'assemblage.

⚠ ATTENTION! Certaines pièces peuvent avoir des arêtes vives. Porter des gants protecteurs si nécessaire.

Étape 1

Fixez la base du chariot aux panneaux latéraux. Insérez quatre boulons M6 de 12 mm (noir) et des rondelles (noir) dans la base du chariot et au pied des pattes et fixez le tout solidement. Assurez-vous que les trous pour les charnières de porte font face devant.



Étape 2

Fixez le panneau arrière aux pattes gauche et droite de l'assemblage du chariot en utilisant quatre boulons M6 X 12 mm (noir) et des rondelles en étoile (noir).

Étape 3

Fixez les équerres des portes aux pattes gauche et droite du chariot en utilisant les boulons M6 X 12 mm (noir) et des rondelles en étoile (noir).

Note : À l'aide de quelqu'un, retournez le chariot à l'envers. Essayez de minimiser le stress sur les panneaux latéraux.

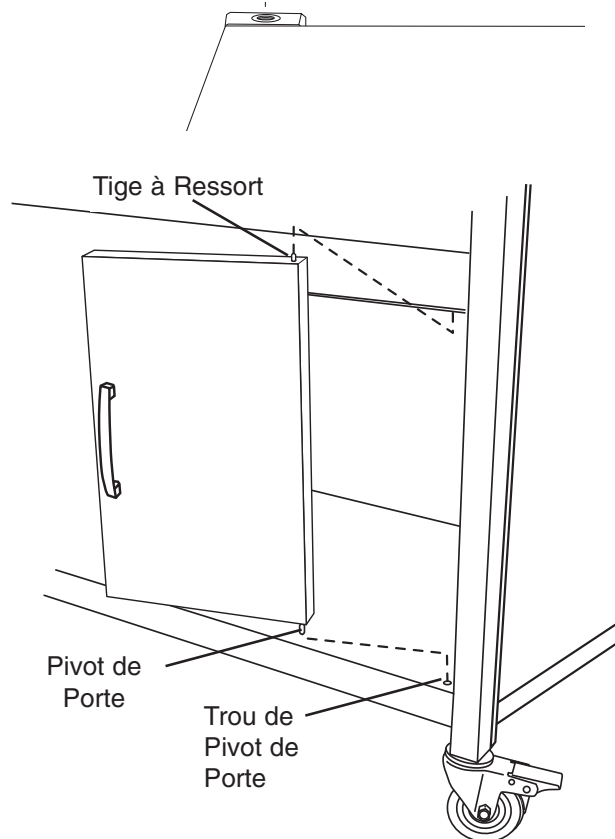
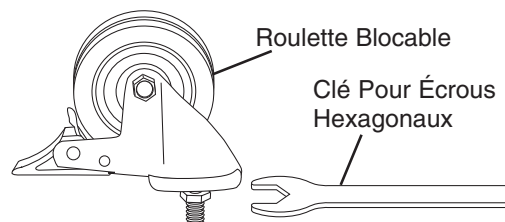
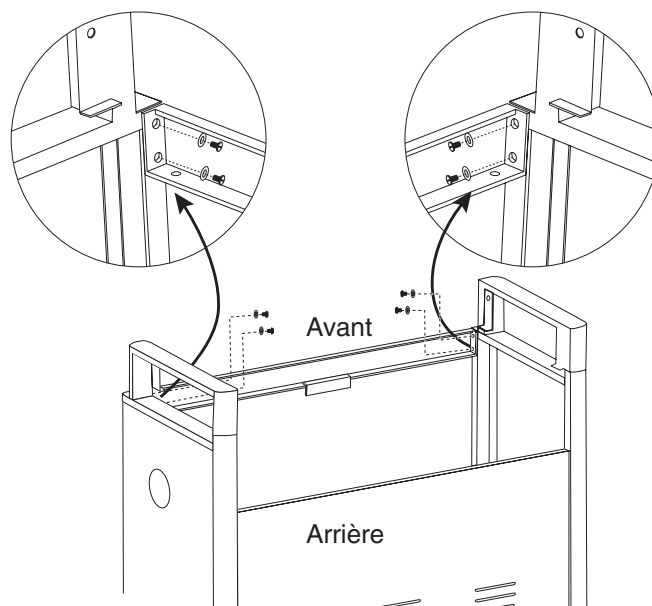
Étape 4

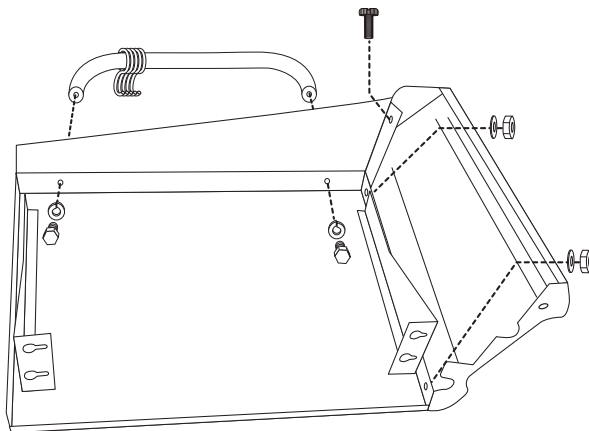
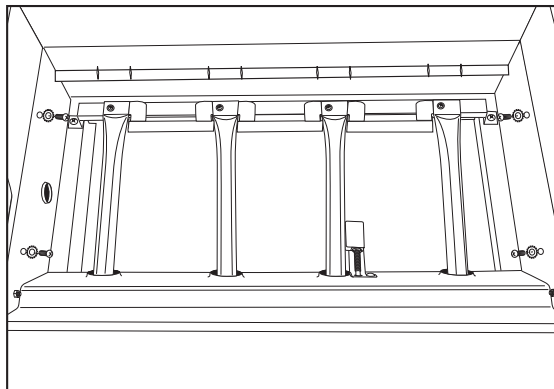
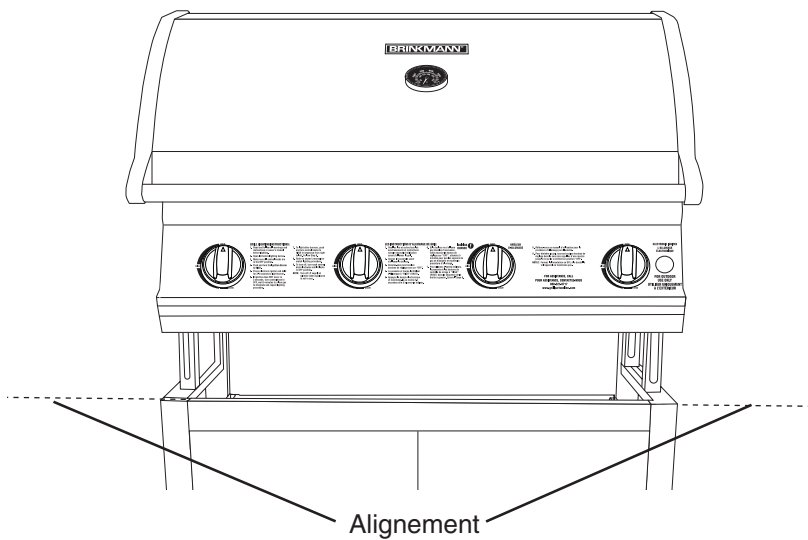
Fixez les roulettes à verrou à la base du chariot. Serrez les boulons des roues en utilisant la clé hexagonale fournie dans le paquet des pièces.

Note : À l'aide de quelqu'un, retournez le chariot à l'endroit. Verrouillez les roulettes pour stabiliser le gril avant d'exécuter l'Étape 5.

Étape 5

Insérez le pivot de la porte du côté gauche dans le trou inférieur pour le pivot (sur la tablette inférieure du chariot), puis alignez la porte avec le cadre du chariot. Serrez la tige avec un ressort situé sur le bord supérieur de la porte et glissez la porte vers le panneau latéral du chariot jusqu'à ce que le ressort se bloque dans le trou de l'équerre de la porte. Répétez toutes les étapes pour l'autre porte.

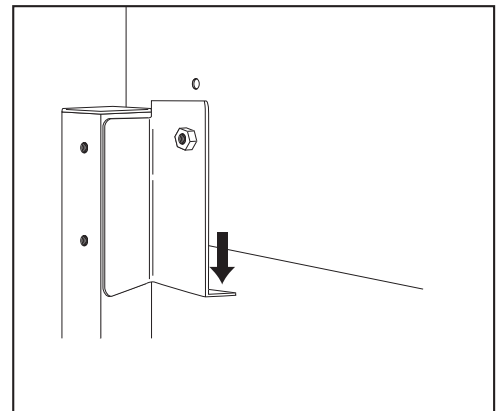




Note : Rendu à l'étape 6, soulevez le corps du grill des panneaux avant et arrière afin d'éviter des blessures aux mains et aux doigts.

Étape 6

Avec l'aide de quelqu'un, placez l'assemblage du corps du grill sur le cadre du chariot. Le corps du grill sera posé sur les cornières des supports verticaux. Alignez les trous des boulons sur le côté de l'assemblage du grill. Fixez le tout en utilisant quatre boulons M6 X 12 mm (noir) et des rondelles en étoile (noir).

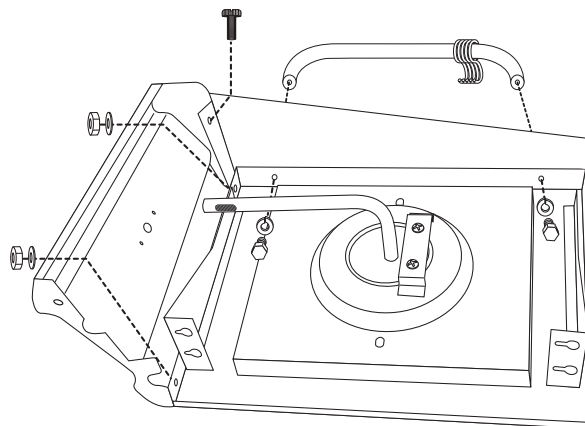


Étape 7

Fixez les crochets à la barre de support à serviette de la table latérale. Puis, fixez la barre de serviette à la table latérale en utilisant deux boulons M6 X 12 mm hexagonaux (argent) et les rondelles à ressort (argent). Fixez le panneau avant de la table latérale en utilisant un boulon M6 X 12 mm (noir) et deux écrous M6 et des rondelles en étoile (noir).

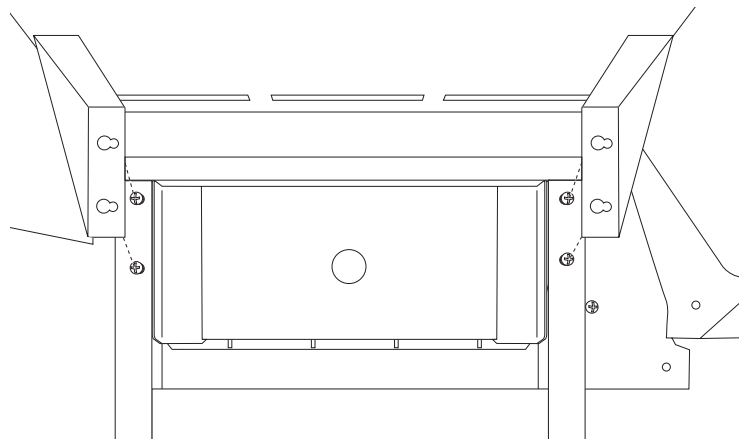
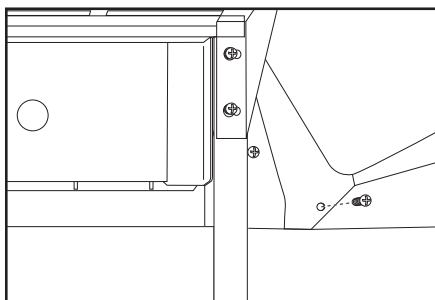
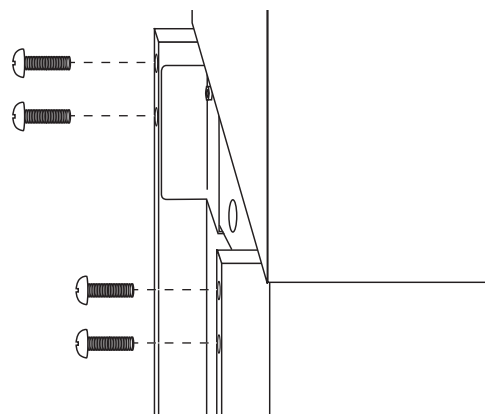
Étape 8

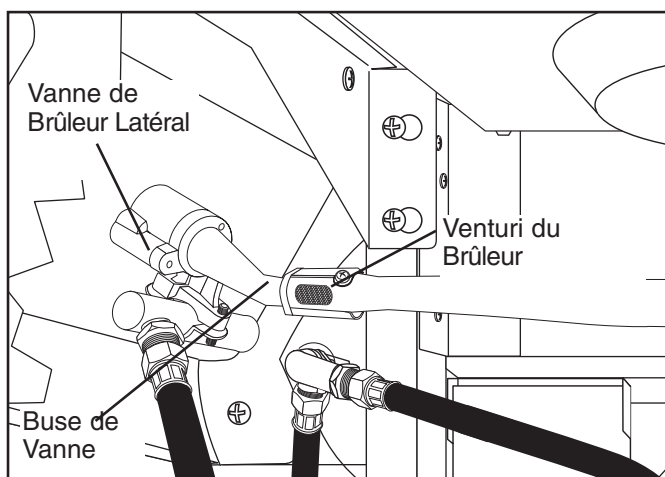
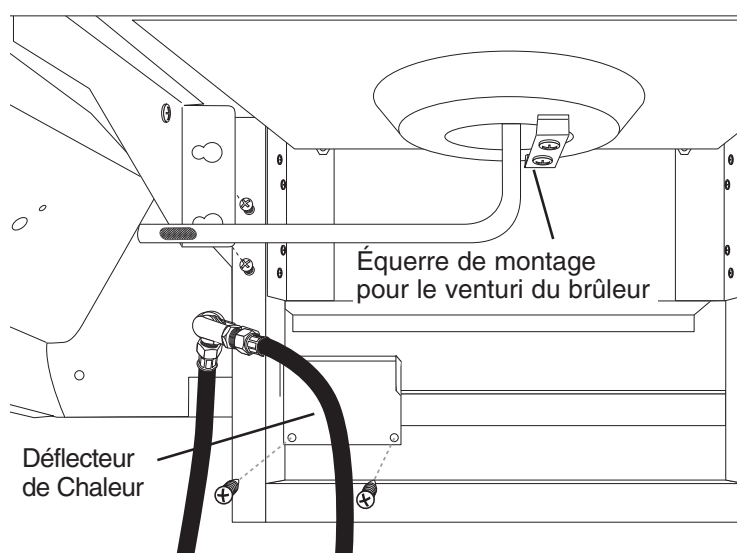
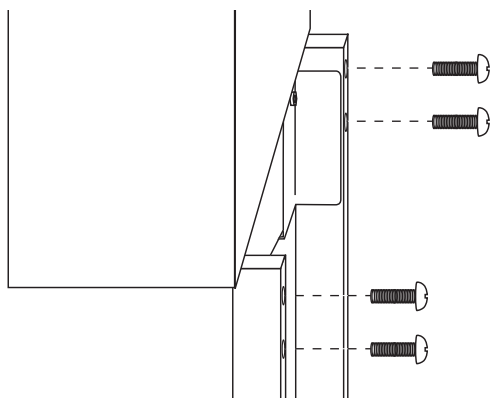
Fixez les crochets à la barre de support à serviette du brûleur latéral. Puis, fixez la barre de serviette au brûleur latéral en utilisant deux boulons M6 X 12 mm hexagonaux (argent) et des rondelles à ressort (argent). Fixez le panneau avant du brûleur latéral en utilisant un boulon M6 X 12 mm (noir) et deux écrous M6 et des rondelles en étoile (noir).



Étape 9

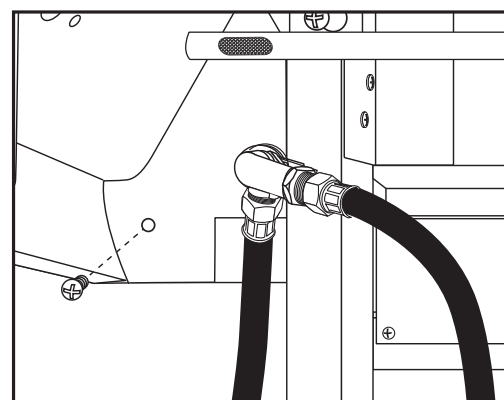
Fixez la table latérale sur le côté gauche de l'assemblage du cadre du chariot. Insérez à moitié deux boulons M6 X 12 mm (noir) dans les deux pattes gauche. Placez la table sur les boulons et faites glisser vers le derrière du grill, puis serrez solidement. Serrez solidement le panneau avant de la table latérale au corps du grill avec un boulon M6 X 12 mm (noir).





Étape 10

Fixez le brûleur latéral sur le côté droit de l'assemblage du cadre du chariot. Insérez à moitié deux boulons M6 X 12 mm (noir) dans les deux pattes gauche. Placez le brûleur latéral sur les boulons et faites glisser vers le derrière du grill, puis serrez solidement. Serrez solidement le panneau avant de la table latérale au corps du grill avec un boulon M6 X 12 mm (noir).



Étape 11

Fixez le déflecteur de chaleur de la conduite de gaz en utilisant deux vis autotaraudeuses #8.

Étape 12

Desserrer les deux boulons M4 avec les rondelles de la partie inférieure de l'équerre du brûleur. Cela permettra au brûleur de pouvoir être bougé librement au moment d'effectuer l'Étape 13.

Étape 13

Retirer deux boulons M4 et rondelles de la valve du brûleur latéral. Insérer l'assemblage de la valve du brûleur latéral dans le trou sur le panneau avant du brûleur latéral; puis, appuyer fermement le nez de la valve dans la buse du brûleur. Tenir en place tout au moment de passer à l'Étape 14.

⚠ Avertissement:

Ne jamais utiliser le grill sans tester toutes les connexions et les conduites de gaz. Veuillez consulter la section sur « Inspection des conduites pour les fuites » de ce guide pour connaître la bonne procédure à suivre.

Étape 14

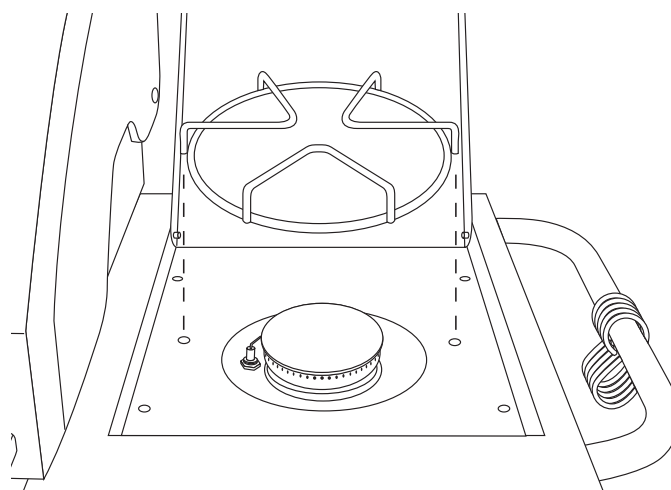
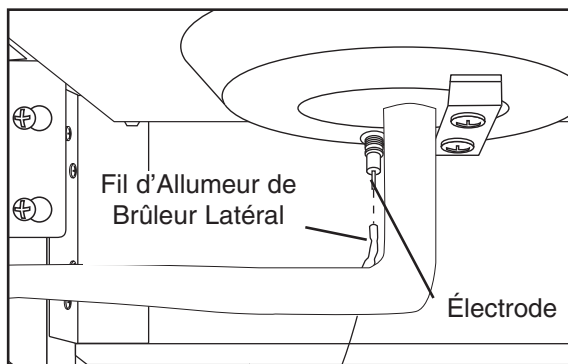
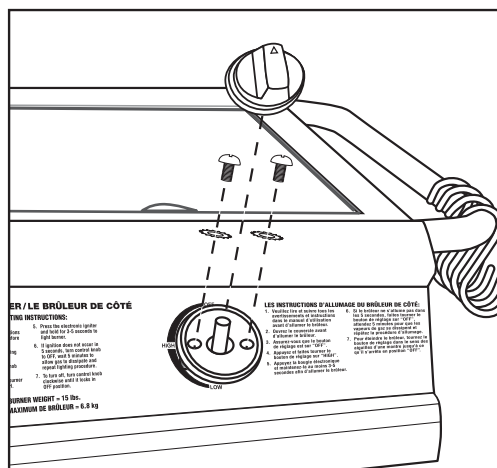
Placez la façade sur la tige de montage du bouton de commande et placez-le sur les trous à la base du brûleur latéral et sur l'assemblage de la valve du brûleur latéral. Fixez-la en utilisant deux boulons M4 de 10 mm avec des rondelles livrés avec la valve. Installer le bouton de commande du brûleur latéral sur la tige de la valve, puis serrer fermement les vis de l'assemblage brûleur/ équerre desserrées à l'Étape 12.

Étape 15

Fixez le fil de l'allumeur du brûleur latéral à l'électrode tel qu'illustré.

Étape 16

Placez la grille du brûleur latéral sur le brûleur.



Étape 17

Placez les plaques de distribution de chaleur sur la partie inférieure du corps du grill, directement au dessus des brûleurs.

Étape 18

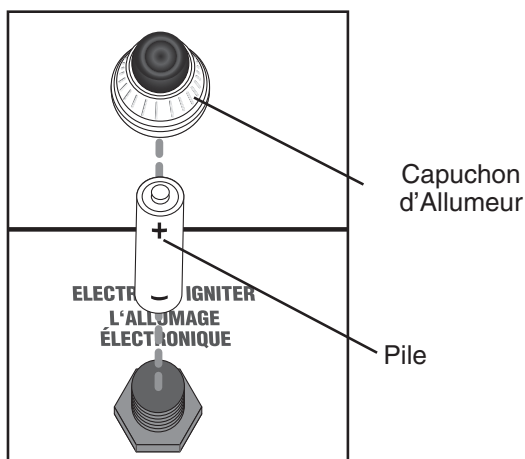
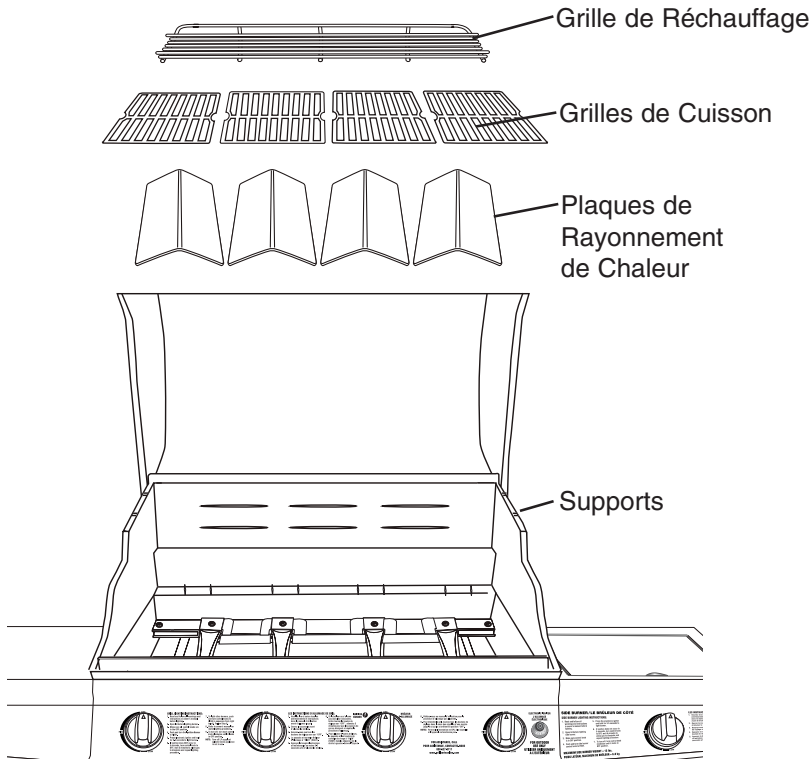
Placez les grilles de cuisson sur les cornières de support au dessus des plaques de distribution de chaleur.

Étape 19

Placez la grille de réchaud dans les rainures des panneaux latéraux du caisson afin qu'elle soit bien assise au dessus des grilles de cuisson.

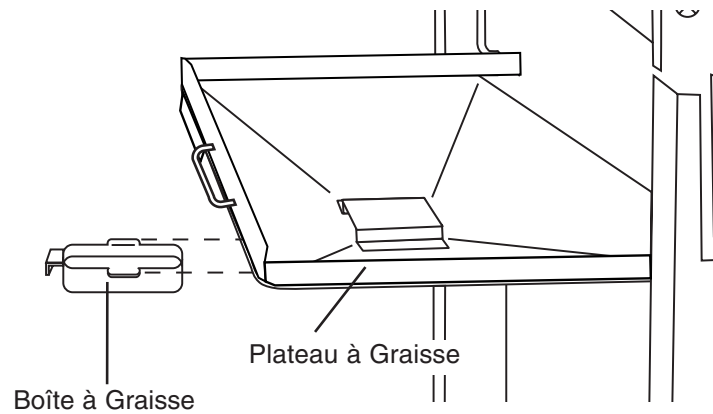
Étape 20

Retirez le capuchon de l'allumeur et insérez la pile avec le côté positif de la pile vers le capuchon de l'allumeur. Assurez-vous que les ressorts sont en place à l'intérieur de l'allumeur. Remplacez le capuchon de l'allumeur en vous assurant que l'allumeur fonctionne correctement.



Étape 21

Insérez le plateau à graisse dans l'ouverture à l'arrière du grill. Assurez-vous de glisser le plateau sur les rails tel qu'illustré.



Étape 22

Insérez le contenant à graisse dans le plateau à cet effet. Assurez-vous de glisser le contenant sur les rails tel qu'illustré.

Southgate 8445-N (Assemblé)



FOR COVERS, ACCESSORIES AND OTHER PRODUCTS, PLEASE VISIT US ONLINE AT:
www.brinkmann.net

FOR GRILL WARRANTY REPLACEMENT PARTS, PLEASE VISIT US AT:
www.grillpartsonline.com

POUR LES COUVERCLES ET ACCESSOIRES POUR GRILLS, CONSULTEZ LE SITE INTERNET SUIVANT
www.brinkmann.net

POUR LES PIÈCES DE RECHANGE POUR GRILLS, CONSULTEZ LE SITE INTERNET SUIVANT
www.grillpartsonline.com

WARRANTY

The Brinkmann Corporation warrants to the original purchaser that the Brinkmann Southgate™ 8445-N is free from defects due to workmanship or materials for:

- Stainless Steel parts - Lifetime
- Electronic ignition and burners - 2 Year
- Remaining parts - 2 Year

The Brinkmann Corporation's obligations under this warranty are limited to the following guidelines:

- This warranty does not cover grills that have been altered/modified or damaged due to: normal wear, rust, abuse, improper maintenance and/or improper use.
- This warranty does not cover surface scratches, rust or heat damage to the finish, which is considered normal wear.
- The Brinkmann Corporation may elect to repair or replace damaged units covered by the terms of this warranty.
- This warranty extends to the original purchaser only and is not transferable or assignable to subsequent purchasers.

The Brinkmann Corporation requires reasonable proof of purchase. Therefore, we strongly recommend that you retain your sales receipt or invoice. To obtain replacement parts for your Brinkmann Southgate™ 8445-N under the terms of this warranty, please call Customer Service Department at 800-527-0717. **A receipt will be required. The Brinkmann Corporation will not be responsible for any grills forwarded to us without prior authorization.**

EXCEPT AS ABOVE STATED, THE BRINKMANN CORPORATION MAKES NO OTHER EXPRESS WARRANTY.

THE IMPLIED WARRANTIES OF MERCHANTABILITY AND FITNESS FOR A PARTICULAR PURPOSE ARE LIMITED IN DURATION TO THOSE LISTED ABOVE FROM THE DATE OF PURCHASE. SOME STATES DO NOT ALLOW LIMITATIONS ON HOW LONG AN IMPLIED WARRANTY LASTS, SO THE ABOVE LIMITATION MAY NOT APPLY TO YOU.

ANY LIABILITY FOR INDIRECT, INCIDENTAL OR CONSEQUENTIAL DAMAGES ARISING FROM THE FAILURE OF THE BRINKMANN SOUTHGATE 8445-N TO COMPLY WITH THIS WARRANTY OR ANY IMPLIED WARRANTY IS EXCLUDED. CUSTOMER ACKNOWLEDGES THAT THE PURCHASE PRICE CHARGED IS BASED UPON THE LIMITATIONS CONTAINED IN THE WARRANTY SET OUT ABOVE. SOME STATES DO NOT ALLOW THE EXCLUSION OR LIMITATION OF INCIDENTAL OR CONSEQUENTIAL DAMAGES, SO THE ABOVE LIMITATION OR EXCLUSION MAY NOT APPLY TO YOU. THIS WARRANTY GIVES YOU SPECIFIC LEGAL RIGHTS, AND YOU MAY ALSO HAVE OTHER RIGHTS WHICH VARY FROM STATE TO STATE.

GARANTIE

The Brinkmann Corporation garantit le gril à gaz Southgate 8445-N contre les défauts de fabrication et de matières à l'acheteur initial pour les durées suivantes:

- Pièces en acier inoxydable – à vie
- Allumage électronique et brûleurs – 2 ans
- Autres pièces – 2 ans

Aux termes de la présente garantie, les obligations de The Brinkmann Corporation se limitent à ce qui suit:

- La présente garantie ne couvre pas les grills altérés/modifiés ou endommagés par suite de l'usure normale, de la rouille, d'une maltraitance, d'un entretien et/ou d'une utilisation incorrects.
- La présente garantie ne couvre pas les rayures superficielles, la rouille ni les dégâts causés par la chaleur à la finition, qui sont considérés comme faisant partie de l'usure normale.
- The Brinkmann Corporation peut choisir de réparer ou de remplacer les appareils endommagés couverts par les termes de la présente garantie.
- La présente garantie ne bénéficie qu'à l'acheteur initial et ne peut être transférée ni cédée aux acheteurs ultérieurs.

The Brinkmann Corporation exige une preuve raisonnable de l'achat. Par conséquent, nous recommandons vivement de conserver le ticket de caisse ou la facture. Pour obtenir des pièces de rechange destinées au gril à gaz Southgate 8445-N aux termes de la présente garantie, bien vouloir appeler le service clientèle au 800-527-0717. **Un ticket de caisse sera demandé. The Brinkmann Corporation ne sera responsable d'aucun gril qui lui sera envoyé sans autorisation préalable.**

LA GARANTIE OFFERTE PAR THE BRINKMANN CORPORATION NE COUVRE EXPRESSÉMENT QUE CE QUI PRÉCÈDE.

LES GARANTIES TACITES DE VALEUR COMMERCIALE ET D'ADAPTATION À UN USAGE PARTICULIER SONT LIMITÉES EN TERMES DE DURÉE AUX DURÉES SUSMENTIONNÉES À COMPTER DE LA DATE DE L'ACHAT. CERTAINES PROVINCES INTERDISENT DE LIMITER LA DURÉE D'UNE GARANTIE TACITE. LA LIMITE QUI PRÉCÈDE PEUT PAR CONSÉQUENT NE PAS ÊTRE OPPOSABLE À L'ACHETEUR.

TOUTE RESPONSABILITÉ POUR DES DOMMAGES INDIRECTS, FORTUITS OU CONSÉQUENTS DUS À L'INOBSERVATION PAR L'ACHETEUR DU GRIL À GAZ SOUTHGATE 8445-N DES TERMES DE LA PRÉSENTE GARANTIE OU DE TOUTE GARANTIE TACITE EST EXCLUE. LE CLIENT RECONNAÎT QUE LE PRIX D'ACHAT FACTURÉ EST BASÉ SUR LES LIMITES INDIQUÉES DANS LES MODALITÉS CI-DESSUS. CERTAINES PROVINCES INTERDISENT D'EXCLURE OU DE LIMITER LES DOMMAGES FORTUITS OU CONSÉQUENTS. LA LIMITE OU L'EXCLUSION QUI PRÉCÈDE PEUVENT PAR CONSÉQUENT NE PAS ÊTRE OPPOSABLES À L'ACHETEUR. LA PRÉSENTE GARANTIE CONFÈRE DES DROITS PRÉCIS MAIS L'ACHETEUR PEUT ÉGALEMENT JOUIR D'AUTRES DROITS QUI VARIENT D'UNE PROVINCE À L'AUTRE.

Free Manuals Download Website

<http://myh66.com>

<http://usermanuals.us>

<http://www.somanuals.com>

<http://www.4manuals.cc>

<http://www.manual-lib.com>

<http://www.404manual.com>

<http://www.luxmanual.com>

<http://aubethermostatmanual.com>

Golf course search by state

<http://golfingnear.com>

Email search by domain

<http://emailbydomain.com>

Auto manuals search

<http://auto.somanuals.com>

TV manuals search

<http://tv.somanuals.com>