

BRINKMANN®

Savannah Gas Outdoor Grill

Gril à Gaz de Plein Air

OWNER'S MANUAL / NOTICE D'UTILISATION

**ASSEMBLY AND OPERATING INSTRUCTIONS
INSTRUCTIONS D'ASSEMBLAGE ET D'UTILISATION**

**SAVE THIS MANUAL FOR FUTURE REFERENCE
CONSERVER CETTE NOTICE POUR RÉFÉRENCE**

**NOTICE TO INSTALLER:
LEAVE THESE INSTRUCTIONS
WITH THE GRILL OWNER FOR
FUTURE REFERENCE.**

**AVIS À L'INSTALLATEUR:
REMETTRE CETTE NOTICE AU
PROPRIÉTAIRE POUR QU'IL
PUISSE S'Y RÉFÉRER PLUS TARD.**

⚠ WARNING / AVERTISSEMENT

HAZARDOUS EXPLOSION MAY RESULT IF THESE WARNINGS AND INSTRUCTIONS ARE IGNORED. READ AND FOLLOW ALL WARNINGS AND INSTRUCTIONS IN THIS MANUAL TO AVOID PERSONAL INJURY, INCLUDING DEATH OR PROPERTY DAMAGE.

UNE EXPLOSION DANGEREUSE RISQUE DE SE PRODUIRE SI CES AVERTISSEMENTS ET INSTRUCTIONS SONT IGNORÉS. LIRE ET RESPECTER TOUS LES AVERTISSEMENTS ET INSTRUCTIONS DE CETTE NOTICE POUR ÉVITER DES BLESSURES GRAVES, VOIRE MORTELLES, OU DES DÉGÂTS MATÉRIELS.



IMPORTANT SAFETY WARNINGS

WE WANT YOU TO ASSEMBLE AND USE YOUR GRILL AS SAFELY AS POSSIBLE. THE PURPOSE OF THIS SAFETY ALERT SYMBOL  IS TO ATTRACT YOUR ATTENTION TO POSSIBLE HAZARDS AS YOU ASSEMBLE AND USE YOUR GRILL.

WHEN YOU SEE THE SAFETY ALERT SYMBOL  PAY CLOSE ATTENTION TO THE INFORMATION WHICH FOLLOWS!

 **READ ALL SAFETY WARNINGS AND INSTRUCTIONS CAREFULLY BEFORE ASSEMBLING AND OPERATING YOUR GRILL.**

DANGER

IF YOU SMELL GAS:

1. Shut off gas to the appliance.
2. Extinguish any open flame.
3. Open Lid.
4. If odor continues, keep away from the appliance and immediately call your gas supplier or your fire department.

WARNING

1. Do not store or use gasoline or other flammable liquids or vapors in the vicinity of this or any other appliance.
2. An LP cylinder not connected for use shall not be stored in the vicinity of this or any other appliance.

DANGER



- DO NOT store a spare LP gas cylinder under or near this appliance.
- Never fill the cylinder beyond 80% full.
- A fire causing death or serious injury may occur if the above is not followed exactly.

TABLE OF CONTENTS

General Warnings	3
Installation and LP Cylinder Specifications and Safe Use.	4–6
Connecting LP Cylinder and Hose / Regulator to Grill	6–7
Leak Testing.	8–9
Pre-start Check List	9
Lighting Instructions	10–11
Operating Grill and Helpful Hints	12–14
Proper Care and Maintenance	14–16
Transporting and Storage	16
Trouble Shooting	17
Frequently Asked Questions	18–19
Parts List and Assembly Instructions.	20–32
Warranty Information.	Back Cover

⚠ DANGER: Indicates an imminently hazardous situation which, if not avoided, will result in death or serious injury.

⚠ WARNING: Be alert to the possibility of serious bodily injury if the instructions are not followed. Be sure to read and carefully follow all of the messages.

⚠ CAUTION: Indicates a potentially hazardous situation which, if not avoided, may result in minor or moderate injury.

GENERAL WARNINGS

⚠ WARNING

- Never use natural gas in a unit designed for liquid propane gas.
- Never use charcoal briquets or lighter fluid in a gas grill.
- Leak test all connections before first use, even if grill was purchased fully assembled and after each tank refill.
- Never check for leaks using a match or open flame.

⚠ CAUTION! Strong odors, colds, sinus congestion, etc. may prevent the detection of propane. Use caution and common sense when testing for leaks.

- Always keep your gas grill free and clear of gasoline, paint thinner, or other flammable vapors and liquids or combustible materials.
- Always check the grill prior to each use as indicated in the "Pre-Start Check List" section of this manual.
- DO NOT obstruct the flow of combustion or ventilation air.
- Never place more than 15 pounds (6,8 kg) on the side burner. DO NOT lean on the side burner shelf.
- Keep children and pets away from hot grill. DO NOT allow children to use or play near this grill.
- DO NOT leave the grill unattended while in use.
- DO NOT allow the gas hose to come in contact with hot surfaces.
- DO NOT allow grease from drain hole to fall on hose or valve regulator assembly.
- Keep any electrical supply cords away from water or heated surfaces.
- Keep a fire extinguisher on hand acceptable for use with gas products. Refer to your local authority to determine proper size and type.
- For household use only. DO NOT use this grill for anything other than its intended purpose.
- DO NOT use while under the influence of drugs or alcohol.
- Grill is hot when in use. To avoid burns:
 - DO NOT attempt to move the grill.
 - Lock the wheels so the unit does not accidentally move.
 - Wear protective gloves or oven mitts.
 - DO NOT touch any hot grill surfaces.
 - DO NOT wear loose clothing or allow hair to come in contact with grill.

⚠ USE CAUTION AND COMMON SENSE WHEN OPERATING YOUR GAS GRILL.

FAILURE TO ADHERE TO THE SAFETY WARNINGS AND GUIDELINES IN THIS MANUAL COULD RESULT IN SEVERE BODILY INJURY OR PROPERTY DAMAGE.

SAVE THIS MANUAL FOR FUTURE REFERENCE.

WARNING

- **FOR OUTDOOR USE ONLY. DO NOT** operate indoors or in an enclosed area such as a garage, shed or breezeway.
- Use your grill **OUTDOORS** in a well ventilated space away from dwellings or other buildings to prevent dangers associated with gas accumulation and toxic vapors. We recommend your grill be situated at least 10 feet (3.1 m) from buildings.
- Maintain a minimum clearance of 36 inches (91 cm) between all sides of grill and walls or other combustible material. **DO NOT** use grill under overhead unprotected combustible construction.
- **DO NOT** use or install this grill in or on a recreational vehicle and/or boat.

INSTALLATION INFORMATION:

The installation of this appliance must be in accordance with:

All applicable local codes, or in the absence of local codes, either:

- National Fuel Gas Code ANSI Z223.1 NFPA 54
- Natural Gas and Propane Installation Code: CAN/CGA B149.1
- Natural Gas Installation Code: CAN/CGA B149.1 (Canada)
- Propane Installation Code: CAN/CGA B149.2 (Canada)

To check your local codes, see your local LP gas dealer or natural gas company. This grill was not intended to be connected to a natural gas supply line. If an external electrical source is utilized, it must be electrically grounded in accordance with local codes, or in the absence of local codes, with the National Electrical Code, ANSI/NFPA 70, or the Canadian Electrical Code, CSA 22.1.

WARNING

LP GAS CYLINDER (NOT SUPPLIED WITH THIS GRILL)

The LP cylinder is available for purchase at the same location the grill was purchased.

The LP (Liquid Propane) gas cylinder specifically designed to be used with this grill must have a 20 lb. (9.1 kg) capacity incorporating a Type 1 cylinder valve and an over-filling protection device (OPD).

- **DO NOT** connect this grill to an existing #510 POL cylinder valve with Left Hand threads. The Type 1 valve can be identified with the large external threads on the valve outlet.
- **DO NOT** connect to a propane cylinder exceeding this capacity.
- **DO NOT** connect to a cylinder that uses any other type of valve connection device.

CYLINDER SPECIFICATIONS:

When purchasing or exchanging a cylinder for your gas grill, it must be constructed and marked in accordance with the specifications for LP gas cylinders of the U.S. Department of Transportation (DOT) or the National Standard of Canada, CAN/CSA-B339 Cylinders, Spheres and Tubes for Transportation of Dangerous Goods; and Commission, as applicable; and provided with a listed over-filling prevention device (OPD), and provided with a cylinder connection device compatible with the connection for outdoor cooking appliances.

The cylinder must also be equipped with:

- A shut-off valve terminating in a Type 1 gas cylinder valve outlet.
- A Type 1 valve that prevents gas flow until a positive seal is obtained.
- An arrangement for vapor withdrawal.
- A collar to protect the cylinder shut-off valve.
- A safety relief device having direct communication with the vapor space of the cylinder.
- A listed over-filling prevention device (OPD).

WARNING

- Turn off the cylinder valve when your grill is not in use.
- Handle the tank with care.
- Always secure the cylinder in an upright position.
- Never connect an unregulated LP gas cylinder to your grill.
- DO NOT expose LP gas cylinders to excessive heat or ignition sources.
- DO NOT store a spare LP gas cylinder under or near your grill.
- Allow only qualified LP gas dealers to fill or repair your LP gas cylinder.
- DO NOT allow the cylinder to be filled beyond 80% capacity.
- Read and follow all warnings and instructions that are on the cylinder and that accompany this product.

DANGER

- Never store a spare LP gas cylinder under or near your grill. This could cause excess pressure to be expelled through the vapor relief valve resulting in fire, explosion, or severe personal injury including death.

**NOTE: PROPANE GAS IS HEAVIER THAN AIR AND WILL COLLECT IN LOW AREAS.
PROPER VENTILATION IS EXTREMELY IMPORTANT.**

- Keep the ventilation opening(s) of the LP gas cylinder enclosure free and clear from obstructions and debris.
- DO NOT insert any foreign objects into the valve outlet. Damage to the back-check could result. A damaged back-check can cause a leak, possibly resulting in explosion, fire, severe bodily harm, or death.

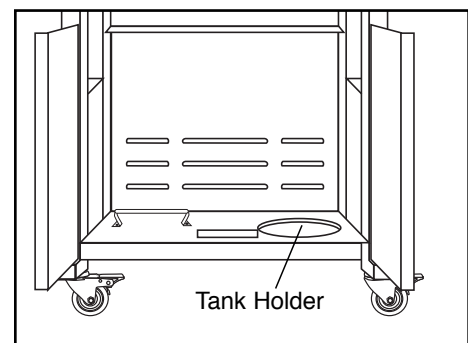
⚠ WARNING

FILLING THE LP GAS CYLINDER:

- Allow only qualified LP gas dealers to properly fill or repair your LP gas cylinder.
- New tanks should be purged prior to filling; inform LP gas dealer if you are using a new tank.
- **DO NOT** allow the cylinder to be filled beyond 80% capacity. Over-filled tanks can create a dangerous condition. Over-filled tanks can build-up pressure and cause the relief valve to expel propane gas vapors. The vapor is combustible and if it comes in contact with a spark source or flame an explosion causing severe burns, bodily harm, or death could occur.
- Always use a protective cylinder cap when grill is not connected to cylinder.
- If you exchange a cylinder with a qualified exchange program, be sure the cylinder has a Type 1 valve and an over-filling prevention device (OPD).

INSTALLING THE LP GAS CYLINDER ONTO THE GRILL:

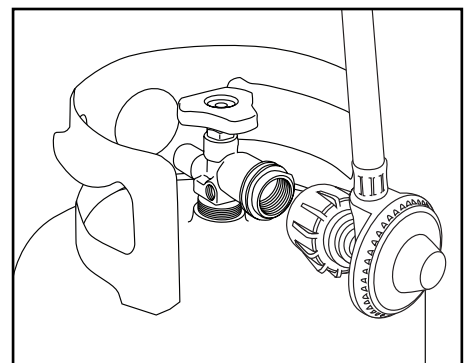
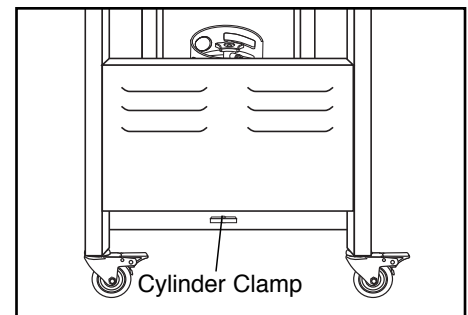
1. Check that the cylinder valve is closed by turning the knob clockwise.
2. Place the cylinder into the tank holder in the bottom of cabinet.
3. Orient the cylinder such that the valve opening faces the side burner, and so that the hose is not kinked or damaged.
4. Fully tighten the cylinder clamp underneath tank holder to secure tank.
5. Attach or detach regulator to the LP gas cylinder only when cylinder is at rest in tank holder.



HOSE AND REGULATOR:

Your grill is equipped with a Type 1 connection device with the following features:

1. The system will not allow gas flow from the cylinder until a positive connection to the valve has been made.
NOTE: The cylinder valve must be turned off before any connection is made or removed.
2. A thermal device that will shut off the gas flow if the device is subject to temperatures above 240°F to 300°F (115°C to 150°C). If this should happen, remove the entire regulator assembly and dispose of properly. A replacement regulator assembly can be purchased by contacting customer service at 800-527-0717. The cause of the excessive heat should be determined and corrected before using your grill again.
3. A regulator flow limiting device, when activated, restricts the flow of gas to 10 cubic feet (0,28 m³) per hour. If the flow limiting device is activated, perform Regulator Resetting Procedure.



REGULATOR RESETTING PROCEDURE

1. Turn burner control knobs to "OFF", turn off the cylinder valve and disconnect regulator from LP gas tank. Wait approximately two minutes.
2. Reattach regulator and slowly turn cylinder valve back on. The flow limiting device will now be reset.

⚠ WARNING

- Never use your grill without leak testing all gas connections and hoses. See the section on "Leak Testing" in this manual for proper procedures.

⚠ WARNING

The pressure regulator and hose assembly supplied with your gas grill must be used.

- DO NOT attempt to connect it to any other fuel supply source such as a natural gas line.
- DO NOT use any other pressure regulator/hose assembly other than the one supplied with your grill. Replacement pressure regulator/hose assembly must be part No 155-4400-0, which can be obtained by contacting customer service at 800-527-0717.
- DO NOT attempt to adjust or repair the regulator. The regulator is designed to operate at a maximum output pressure of 11 inches of water column (2.74 kPa).

During assembly and/or replacement of the gas cylinder, keep the gas supply hose free of kinks and/or damage.

Visually inspect the hose assembly prior to each use for evidence of damage, excess wear, or deterioration. If found, replace the assembly before using your grill. Only the manufacturer's supplied replacement should be used.

⚠ WARNING

CONNECTING HOSE AND REGULATOR TO AN LP GAS CYLINDER

- Ensure the tank valve is **CLOSED** prior to connecting the LP gas cylinder to your grill. Turn the valve knob clockwise to properly close the valve. Read and follow all instructions and warnings on the supply hose safety tags. Read and follow all warnings in this manual concerning the safe use of LP gas cylinders and the hose and regulator before connecting cylinder to grill. Read and follow all warnings on the LP cylinder.

CONNECTING HOSE AND REGULATOR

1. Check that the cylinder valve is closed by turning the knob clockwise.
2. Check that the grill's burner control knobs are in the "OFF" positions.
3. Remove the protective plastic cap from the cylinder valve and the connection device.
4. Hold regulator and insert the nipple of connection device into the LP cylinder valve outlet. Ensure that the device is centered properly.
5. Turn the large coupling nut clockwise by hand and tighten to a full stop. Take care not to cross thread the coupling nut onto the cylinder valve. Do not over-tighten the knob onto the valve. Do not use tools to tighten connection.

NOTE: If you are unable to make the connection, repeat Steps 4 and 5.

6. Check that the hose does not contain kinks, does not contact sharp edges, and does not contact surfaces that may become hot during use.
7. Leak check all fittings before lighting your grill. See section on "Leak Testing" in this manual.

⚠ DANGER

LEAK TESTING:

To prevent fire or explosion hazard:

- **DO NOT** smoke or permit ignition sources in the area while conducting a leak test.
- Perform test **OUTDOORS** only in a well ventilated area.
- Never perform a leak test with a match or open flame.
- Never perform a leak test while the grill is in use or while grill is still hot.

⚠ WARNING

WHEN TO PERFORM A LEAK TEST:

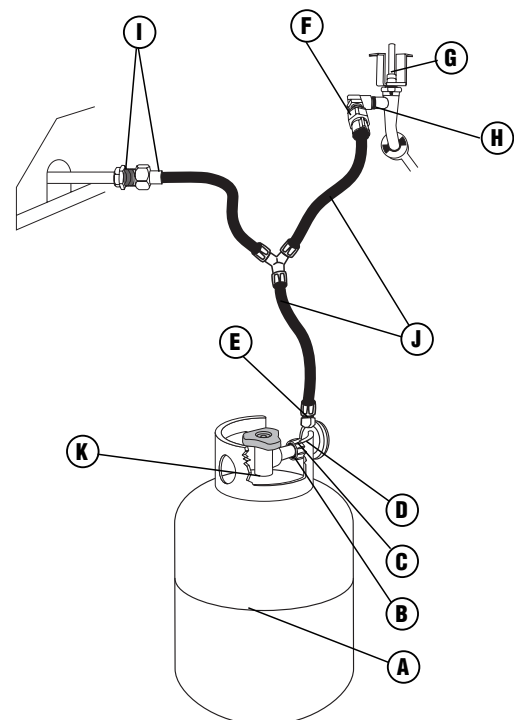
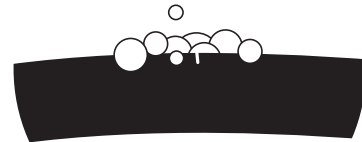
- After assembling your grill and before lighting for the first time, even if purchased fully assembled.
- Every time the LP gas cylinder is refilled or if any of the gas components are replaced.
- Any time your grill has been moved.
- At least once per year or if your grill has not been used for more than 60 days.

CHECKING FOR LEAKS:

1. Create a mixture of 50% water and 50% liquid dishwashing soap.
2. Open the lid.
3. Ensure all control knobs are set to the "OFF" position.
4. Turn on the fuel supply at the cylinder valve. Turn the cylinder valve knob one turn counter-clockwise.
5. Apply the soap water mixture to the following:

- Ⓐ Supply tank (cylinder) weld.
- Ⓑ Connection nut to tank valve.
- Ⓒ Back side of connection nut to brass nipple.
- Ⓓ Brass nipple connection into regulator.
- Ⓔ Regulator connections to gas supply hoses.
- Ⓕ Gas supply hose connection to side burner valve assembly.
- Ⓖ Side burner valve stem cap.
- Ⓗ Side burner connection to hose.
- Ⓘ Hose connection to gas manifold.
- Ⓙ The full length of gas supply hose.
- Ⓚ Tank valve to cylinder.

Watch For Bubbles



6. Check each place listed (A–K) for growing bubbles which indicates a leak.
7. Turn off gas supply at cylinder valve.
8. Turn on control knobs to release gas pressure in hose.
9. Turn control knobs to "OFF" position.
10. Tighten any leaking connections.
11. Repeat soapy water test until no leaks are detected.
12. Turn off gas supply at cylinder valve until you are ready to use your grill.
13. Wash off soapy residue with cold water and towel dry.
14. Wait 5 minutes to allow all gas to evacuate the area before lighting grill.

⚠ CAUTION! **DO NOT** use the grill if leaks cannot be stopped. Contact a qualified gas appliance repair service.

NOTE: The leak test must be performed in an area that has adequate lighting in order to see if bubbles are developing. **DO NOT** use a flashlight to check for bubbles.

⚠ WARNING

PRE-START CHECK LIST:

Property damage, bodily harm, severe burns, and death could result from failure to follow these safety steps. These steps should be performed after the grill has been assembled and prior to each use. DO NOT operate this grill until you have read and understand ALL of the warnings and instructions in this manual.

PRE-START CHECK LIST:

- Ensure that the grill is properly assembled.
- Inspect the gas supply hose for burns, chaffing, kinks, and proper routing before each use. If it is evident there is excessive abrasion or wear, or the hose is cut, it must be replaced prior the grill being used. Replace with hose and regulator, Model No. 155-4400-0, which can be obtained by contacting customer service at 800-527-0717.
- Leak check all gas connections and hose. See section on "Leak Testing".
- Ensure that all electrical supply cords are properly grounded. Keep any electrical supply cord and the fuel supply hose away from any heated surfaces. Hose should be at least 3 inches (7,5 cm) from hot surfaces.
- Position your grill on level ground in a well ventilated location, a safe distance from combustible materials, buildings and overhangs.
- Properly place the empty grease tray under the grease drain hole in the bottom of the grill to catch grease during use.
- **DO NOT** obstruct the flow of combustion and ventilation air.

⚠ WARNING

Read, understand and follow all warnings and instructions contained in this manual. **DO NOT** skip any of the warnings and instructions contained in the preceding sections of this manual.

⚠ WARNING

LIGHTING INSTRUCTIONS:

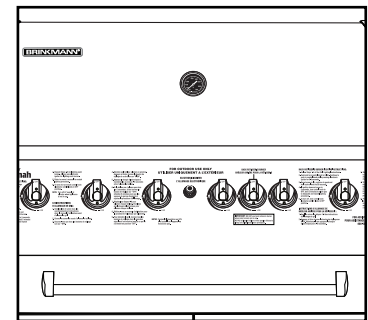
Follow the instructions exactly.

1. **OPEN THE GRILL LID** before attempting to light a burner so that fumes do not accumulate inside the grill. An explosion could occur if grill lid is down.
2. Check that all burner control knobs and the cylinder valve are turned to the "OFF" position.
3. Turn on the fuel supply by rotating the cylinder valve knob counter-clockwise to full open.
4. **DO NOT** stand with head, body, or arms over the grill when lighting.

LIGHTING THE MAIN BURNERS:

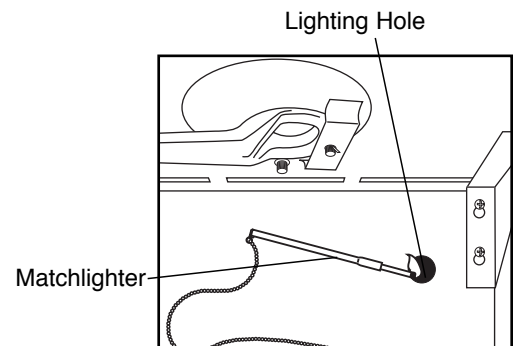
1. Open lid before lighting burner.
2. Make sure all control knobs are in the "OFF" position.
3. Select the burner to be lit. Push and turn the control knob of that burner to the "HIGH" position.
4. Press the electronic igniter and hold for 3–5 seconds to light burner.
5. If ignition does NOT occur in 5 seconds, turn control knob to "OFF", wait 5 minutes to allow gas to dissipate and repeat lighting procedure.
6. Repeat steps 3–5 for lighting each burner. Always use electronic igniter for lighting each burner. If burner does not ignite using the push-button igniter, wait 5 minutes, see "Match Lighting the Main Burners" section.
7. To turn off, turn each control knob clockwise until it locks in the "OFF" position. This does not turn off the gas flow from the cylinder.

NOTE: If burner does not light or flame is too low, you may have spider or other insect blockage in burner, or the flow limiting device has been activated. See "Burner Assembly/Maintenance" under Proper Care and Maintenance, or "Regulator Resetting Procedure" under Connecting LP Cylinder and Hose/Regulator to Grill.



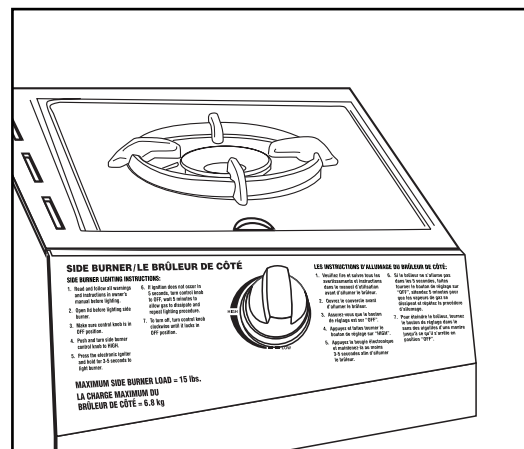
MATCH LIGHTING THE MAIN BURNERS:

1. Open lid before lighting.
2. Turn the burner control knobs to "OFF."
3. Place a paper match in the end of the matchlighter. Strike the match and place through lighting hole in the right hand side of the grill to approximately 1/2" (1 to 2 cm) from the burner.
4. Turn on the **FAR RIGHT** burner control knob to the "HIGH" position. The burner should light within 5 seconds.
5. If the burner does not light, turn the control knob to "OFF" and wait 5 minutes for gas to dissipate and repeat lighting procedure.
6. Once lit, light adjacent burners in sequence by pressing in and rotating the control knob to the "HIGH" position.
7. If the burner does not light within the first few attempts of match lighting, there is a problem with the gas supply. Turn off the gas at the burner **and** cylinder. **DO NOT** attempt to operate the grill until the problem is found and corrected. See "Trouble Shooting" section of this manual.



LIGHTING THE SIDE BURNER:

1. Open lid before lighting side burner.
2. Make sure control knob is in the "OFF" position.
3. Push and turn side burner control knob to the "HIGH" position.
4. Press the electronic igniter on the main control panel and hold for 3–5 seconds to light burner.
5. If ignition does NOT occur in 5 seconds, turn control knob to "OFF", wait 5 minutes to allow gas to dissipate and repeat lighting procedure.
6. To turn off, turn each control knob clockwise until it locks in the "OFF" position.



NOTE: If burner does not light or flame is too low, you may have spider or other insect blockage in burner, or the flow limiting device has been activated. See "Burner Assembly/Maintenance" under Proper Care and Maintenance, or "Regulator Resetting Procedure" under Connecting LP Cylinder and Hose/Regulator to Grill.

MATCH LIGHTING THE SIDE BURNER:

1. Open the lid to the side burner before lighting.
2. Turn the burner control knob to "OFF".
3. Strike and carefully place a match approximately 1/2" (1 to 2 cm) from the burner.
4. Turn the side burner control knob to the "HIGH" position. The burner should light within 5 seconds.
5. If the burner does not light, turn the control knob to "OFF" and wait 5 minutes for gas to dissipate and repeat lighting procedure.
6. If the burner does not light within the first few attempts of match lighting, there is a problem with the gas supply. Turn off the gas at the burner and cylinder. **DO NOT** attempt to operate the grill until the problem is found and corrected. See "Trouble Shooting" section of this manual.

NOTE: Observe flame height when lit: Flame should be a Blue/Yellow color between 1"–2" when burner is on "HIGH".



TURNING OFF THE GRILL:

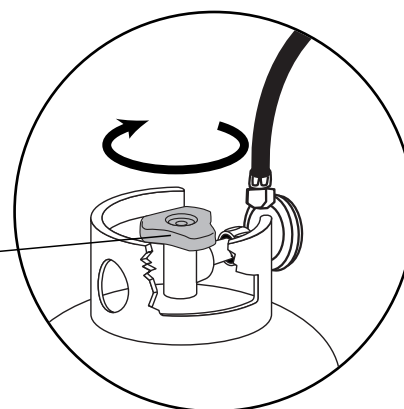
1. Turn off the cylinder valve.
2. Turn all burner control knobs to the "OFF" position.

NOTE: Turn off LP cylinder first to prevent gas from being left in the system under pressure.

⚠ CAUTION!

- The cylinder valve should always be in the off, or closed, position when the grill is not in use.

To turn off the cylinder valve, turn knob clockwise until it stops.



⚠ WARNING

OPERATING THE GRILL:

Never use Charcoal or Lighter Fluid inside your Gas Grill. Read and follow all warnings and instructions contained in the preceding sections of this manual.

BREAKING IN YOUR GRILL:

- In manufacturing and preserving the components of your grill, oil residue may be present on the burner and cooking surfaces of your grill.
- Before cooking on your grill for the first time you should preheat it for 15 minutes on "HIGH" to burn off these residual oils.

PREHEATING THE GRILL:

- Prior to use, it is recommended that you preheat your grill. This ensures that the grilling surfaces are at the desired temperatures to sear the food sugars when cooking. After lighting your grill, set the main burner control knobs to the "HIGH" position for 10 to 15 minutes. Close the cover during the preheat period.

CONTROLLING FLARE-UPS:

- Flare-ups are a part of cooking meats on a gas grill. This adds to the unique flavor of cooking on a gas grill. Excessive flare-ups can over-cook your food and cause a dangerous situation for you and your grill. Excessive flare-ups result from the build-up of grease in the bottom of your grill. If this should occur, **DO NOT** pour water onto the flames. This can cause the grease to splatter and could result in serious burns or bodily harm. If grease fire occurs close the lid and turn off the main burners until the grease burns out. Use caution when opening the lid as sudden flare-ups may occur.

⚠ WARNING

- **DO NOT leave your grill unattended while in use.**
- **DO NOT move grill when in use. Lock wheels in place to stabilize grill.**
- **DO NOT use water to extinguish flare-ups.**
- **Have fire extinguisher readily accessible suitable for use with gas appliances.**

TO MINIMIZE FLARE-UPS:

- Trim excess fat from meats prior to cooking.
- Cook meats with high fat contents (chicken or pork) on Low settings or indirectly.
- Ensure that your grill is on level ground and the grease is allowed to evacuate the grill through the drain hole in the bottom and into grease cup.

INDIRECT COOKING:

- Indirect cooking is the process of cooking your food without the heat source being directly under your food. You can sear meats over a high flame on one side of the grill while slow cooking a roast on the other (unlit) side of the grill.

ROTISSERIE COOKING:

- Your grill was pre-drilled from factory to include mounting holes for a rotisserie (sold separately). Do not use a rotisserie not specifically manufactured for this grill.
- Read and follow all instructions provided with the rotisserie. Save instructions for future reference.
- Do not use the side burner when using a rotisserie.

⚠ WARNING

- **When using an AC current rotisserie, it must be electrically grounded in accordance with local codes, or in the absence of local codes:**
 - **In the US: The National Electrical Code – ANSI-NFPA No. 70 – Latest Edition**
 - **In Canada: the Canadian Electrical Code – CSA C22.1**
- **The Rotisserie is equipped with a three pronged plug for your protection against electrical shock. This plug should be plugged directly into a properly grounded 3 prong receptacle. Never cut or remove the grounding plug. Any extension cord must also have a 3 prong receptacle.**
- **All electrical supply cords should be kept away from water and any hot surfaces of the grill.**

USING OTHER FEATURES OF THE GRILL:

THE SIDE BURNER:

- The side burner can be used to prepare side dishes such as beans, potatoes, corn, or to warm sauces.
- The burner valve can be adjusted from high to low depending upon your cooking demands.

⚠ WARNING

- **Read instructions on lighting your grill to light the side burner.**
- **Never close the side burner cover when the burner is lit.**
- **Use a 10" (25 cm) diameter pot or smaller that does NOT have an extended handle when cooking on the side burner. Center pot over burner.**
- **Never place more than 15 pounds (6,8 kg) on the side burner. The side burner is not constructed to hold weight exceeding 15 pounds (6,8 kg).**
- **Use caution to avoid bumping grill, side burner or pot to prevent pot from spilling contents possibly leading to severe burns.**
- **DO NOT use side burner to deep fry food in oil to avoid dangers associated with oil igniting creating a very dangerous situation.**

GRILL COOKING TIPS

CLEANLINESS

- Always wash hands thoroughly with soap and hot water prior to handling food and after handling raw meat, uncooked poultry or seafood.
- When using a platter to carry raw meat, uncooked poultry or seafood to the grill, make sure to wash the platter thoroughly with soap and hot water before placing cooked foods back on the platter or use different platters for raw and cooked foods.
- Never use the same utensils when handling raw meat, uncooked poultry or seafood unless you wash the utensils thoroughly with soap and hot water.
- Never re-use marinade from raw meat or uncooked poultry on foods that have been cooked and are ready to be served.

GRILLING TO PROPER TEMPERATURE

- Use a meat thermometer to be sure food has reached a safe internal temperature. You may order a Commercial-quality thermometer from Brinkmann. For more information on this product and other Brinkmann accessories, please refer to the accessory pages at the end of this manual.
- The US Department of Agriculture recommends the **minimum** temperature be reached for the following food items:

Chops	145 degrees F (63° C)
Ground Meat	160 degrees F (71° C)
Pork	160 degrees F (71° C)
Poultry	180 degrees F (82° C)
Roasts	145 degrees F (63° C)
Seafood	140 degrees F (60° C)
Vegetables	145 degrees F (63° C)

HELPFUL HINTS

- If you pre-cook meat or poultry, do so immediately before grilling.
- Never defrost meat at room temperature or on a countertop.
- Refrigerate leftovers within 2 hours of taking food off the grill.
- For additional information, please phone the USDA's toll free Meat & Poultry Hotline at 800-535-4555.

PROPER CARE & MAINTENANCE

- To protect your grill from excessive rust, the unit must be kept clean and covered at all times when not in use. A grill cover may be ordered directly from Brinkmann by calling 800-468-5252 or 800-527-0717.
- Wash cooking grills and heat distribution plates with hot, soapy water, rinse well and dry. Lightly coat cooking grill with vegetable oil or vegetable oil spray.
- Clean inside and outside of grill by wiping off with a damp cloth. Apply a light coat of vegetable oil or vegetable oil spray to the interior surface to prevent rusting.
- If rust appears on the exterior surface of your grill, clean and buff the affected area with steel wool or fine grit emery cloth. Touch-up with a good quality high-temperature resistant paint.
- Never apply paint to the interior surface. Rust spots on the interior surface can be buffed, cleaned, then lightly coated with vegetable oil or vegetable oil spray to minimize rusting.

CLEANING AND MAINTENANCE:

- Keep the appliance free and clear of combustible materials, gasoline and other flammable vapors and liquids.
- Keep the ventilation openings of the cylinder enclosure free and clear of debris.
- Visually check burner flames for proper operation (see pictorial in "Burner Assembly/Maintenance" under Proper Care and Maintenance). Spiders or other insects can nest in the burner causing gas blockage.
- For safe grilling and peak performance of your grill, perform these checks at least twice per year or after extended periods of storage.
- Be sure to tighten up all hardware (nuts, bolts, screws, etc.) at least twice per year.

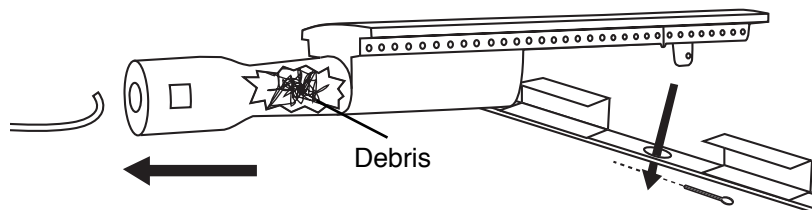
⚠ CAUTION! Some parts may contain sharp edges. Wear protective gloves if necessary.

- Remove the cooking grills, heat distribution plates, and burners from inside your grill. Use a brush with hot water and detergent to remove excess residue. NEVER use a commercial oven cleaner. Rinse completely with water. Towel dry and replace all components as described in the assembly instructions.

BURNER ASSEMBLY/MAINTENANCE

- Although your burners are constructed of cast iron, they may rust as a result of the extreme heat and acids from cooking foods. Regularly inspect the burners for cracks, abnormal holes, and other signs of corrosion damage. If found, replace the burner.
- **DO NOT obstruct the flow of combustion and ventilation air.** Burner tubes can become blocked by spiders and other insects building their nests. Blocked burner tubes can prevent gas flow to the burners and could result in a burner tube fire or fire beneath the grill. To clean the Burner Assembly follow these instructions to clean and/or replace parts of burner assembly or if you have trouble igniting the grill.

1. Turn gas off at control knobs and LP cylinder tank valve.
2. Remove cooking grills and heat distribution plates.
3. Remove cotter pins from beneath each burner "foot" using a screwdriver or needle nose pliers.
4. Carefully lift each burner up and away from valve openings.
5. Use a narrow bottle brush or a stiff wire bent into a small hook to run through each burner tube and flame port several times.

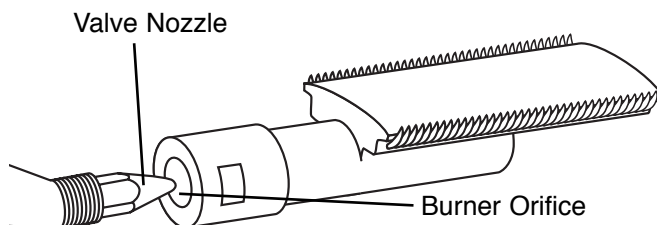


NOTE: Wear eye protection when performing procedure 6.

6. Use compressed air to blow into burner tube and out the flame ports. Check each port to make sure air comes out each hole.
7. Wire brush entire outer surface of burner to remove food residue and dirt.
8. Check burner for damage, if any large cracks or holes are found replace burner.

IMPORTANT: Burner opening must slide over valve nozzle.

9. Carefully replace burners.
10. Replace cotter pin beneath each burner and follow the "Gas Leak Testing" section of this manual. Relight burners to verify proper operation.
11. Replace heat distribution plates and cooking grills.



PROPER BURNER OPERATION

COOKING GRILLS

- Clean with mild soap detergent and water. A brass bristled brush or a nylon cleaning pad can be used to remove residue from the stainless steel surfaces. Do not use steel wire bristles to clean the cooking grills. Steel can cause the finish to chip or crack. **DO NOT** use a commercial oven cleaner.

HEAT DISTRIBUTION PLATES

- Periodically, it may be necessary to inspect and clean the heat distribution plate to prevent excess grease build-up. When the grill is cold, remove the cooking grill. Inspect the heat distribution plates and replace if broken or damaged. Do not allow heat distribution plates to become damaged to the extent that they may fall through onto the burners. Replace the heat distribution plates and cooking grills and light the burners. Operate the grill on "HIGH" for 10 minutes to remove the excess grease.

WARNING

TRANSPORTING AND STORAGE:

- **Never move a grill when it is hot or when objects are on the cooking surfaces.**
- **Make sure that cylinder valve is shut off. After moving the grill check that all gas connections are free of leaks. Refer to instructions for Leak Testing.**
- **DO NOT store a spare LP gas cylinder (filled or empty) under or near the grill.**
- **Never store flammable liquids or spray canisters under or near the grill.**
- **DO NOT extinguish grease fires using water.**
- **If the outdoor cooking gas appliance is not in use, the gas must be turned off at the supply cylinder.**
- **Storage of an outdoor cooking gas appliance indoors is permissible only if the cylinder is disconnected and removed from the outdoor cooking gas appliance.**
- **Cylinders must be stored outdoors out of reach of children and must not be stored in a building, garage or any other enclosed area.**
- **When removing the grill from storage, spider webs or other debris may be blocking the burner. See "Burner Assembly/Maintenance" under Proper Care and Maintenance.**

BEFORE STORING YOUR GRILL:

- Ensure that the cylinder valve is fully closed.
- Clean all surfaces.
- Lightly coat the burners with cooking oil to prevent excess rusting.
- If storing the grill indoors, disconnect the LP tank and leave the LP tank **OUTDOORS**.
- Place a protective cap cover on the LP tank and store the tank outdoors in a well ventilated area out of direct sunlight.
- Clean burner prior to use after storing, at the beginning of grilling season or after a period of one month not being used. Spiders and insects like to build nests in burner tubes (especially during colder months). These nests can cause fires in burner tubes or under grill.
- If storing the grill outdoors, cover the grill with a grill cover for protection from the weather. A grill cover may be ordered directly from Brinkmann by calling 800-468-5252 or 800-527-0717.

TROUBLE SHOOTING

Problem:	Possible Causes:
<ul style="list-style-type: none"> • Burner will not light 	<ol style="list-style-type: none"> 1. Check LP cylinder fuel level. 2. Bad electrode spark. Check to see if the grill will match light. Electrode or collector may need adjustment. 3. Burner may not be properly seated. 4. Burner may be obstructed. 5. The cylinder valve may be closed. 6. Regulator is not properly seated on cylinder valve.
<ul style="list-style-type: none"> • Fire at control knob 	<ol style="list-style-type: none"> 1. Burner holes may be obstructed. See section on "Burner Assembly/Maintenance" under Proper Care and Maintenance. 2. Burner is improperly seated on control valve. 3. Gas connections may be loose. Leak Check and tighten all connections.
<ul style="list-style-type: none"> • Yellow Flames at burner 	<ol style="list-style-type: none"> 1. Burner is obstructed. See section on "Burner Assembly/Maintenance" under Proper Care and Maintenance.
<ul style="list-style-type: none"> • Flame blows out on "LOW" 	<ol style="list-style-type: none"> 1. Burner holes may be obstructed. See section on "Burner Assembly/Maintenance" under Proper Care and Maintenance. 2. Grill is not sufficiently preheated. 3. Burner is improperly seated on control valve.
<ul style="list-style-type: none"> • Burner does not get hot enough 	<ol style="list-style-type: none"> 1. Flow control device has been activated in regulator. See Regulator Resetting Procedure under Connecting LP Cylinder and Hose/Regulator to Grill.
<ul style="list-style-type: none"> • Grill is Too Hot 	<ol style="list-style-type: none"> 1. Excess grease build-up causing grease fires. 2. Damaged or faulty regulator. Replace with factory authorized parts. 3. Cook on a lower temperature setting.

FREQUENTLY ASKED QUESTIONS

Your grill's serial number and model number, and the contact information for Brinkmann Customer Service, are listed on a silver label found on the back of the grill or on the grill body side, under the side shelf.

These questions and answers are for your general knowledge, and may not be applicable to your model grill.

Question: Why does my grill not light properly?

Answer: Always follow lighting instructions as listed on the control panel or in this manual. Also check these causes:

- Check LP gas supply.
- Check to ensure all gas connections are secure.
- The igniter AA battery may need replacing.
- Ignition wires may be loose. Remove the battery, inspect the igniter junction box found behind the control panel and connect any loose wires.
- Spark electrode tips may need repositioning. With the gas supply closed and control knob set to the "OFF" position, press the igniter button and have another person watch for the presence of a spark at the electrode tips. The gap between the spark electrode tip and spark receiver should be about 3/16". If the electrode tip needs to be adjusted, bend it to the appropriate gap distance.
- Check that the end of each burner venturi tube is properly located over its gas valve orifice fitting.
- There may be an obstruction in the gas line. To correct this, remove LP gas hose / regulator or natural gas fuel line from your grill. Open gas supply for one second to test for obstruction. If no obstruction is present, reconnect fuel line. If the fuel line is blocked, replace with a new hose / regulator assembly.
- If an obstruction is suspected in the hose / regulator assembly, orifice or gas valves call Brinkmann Customer Service at 800-527-0717.

Question: Why does my LP gas grill have a low flame or a flame with orange / yellow color?

Answer: You need to purge air from the gas line or reset the regulator's flow limiting device. Opening the cylinder valve all the way or too quickly triggers the regulator's flow limiting device to shut down the gas flow, which prevents excessive gas flow to your grill. NOTE: This procedure should be done every time a new LP gas tank is connected to your grill:

RESETTING THE REGULATOR FLOW LIMITING DEVICE

- Turn control knob to the "OFF" position.
- Turn off the LP gas tank at the cylinder valve.
- Disconnect regulator from LP gas tank.
- Let tank stand for two minutes.
- Reconnect regulator to the LP gas tank.
- Open grill lid or side burner lid. Turn the cylinder valve on slowly until 1/4 or 1/2 open.
- Light the grill by following the instructions on your control panel or in this owner's manual.

Question: How and when do I clean the interior cooking components of my grill?

Answer: Use a fiber or brass cleaning brush to clean the interior or the grill, cooking grills, heat distribution plates and grease containers. Never use a wire brush or metal scraper on porcelain-finished parts, as they can scratch or chip the porcelain finish and promote rusting.

FREQUENTLY ASKED QUESTIONS

Cleaning Stainless Steel Cooking Grills: Wash grills with a mild detergent and rinse with hot water before initial use and as needed. DO NOT use a commercial oven cleaner. For stubborn food residue, use a degreaser and fiber or brass cleaning brush.

Cleaning Porcelain-Finished Cast-Iron Cooking Grills: Wash grills with a mild detergent and rinse with hot water before initial use and as needed. For stubborn food residue, use a degreaser and fiber or brass cleaning brush. Dry immediately using a soft cloth or paper towels.

Cleaning Heat Distribution Plate: Heat distribution plates should be cleaned whenever food or grease drippings accumulate to reduce the chance of flare-ups. Wash heat distribution plates with a mild detergent and rinse with hot water. Use a degreaser and fiber or brass cleaning brush to remove stubborn food residue. Do not use a wire brush or metal scraper on porcelain-finished heat distribution plates, as they can scratch or chip the porcelain finish and promote rusting.

Cleaning the Grease Tray and/or Grease Cup: The grease tray and/or grease cup (some models) should be inspected before each grill use to reduce the chance of fire. Remove grease (a plastic spatula works well) and wash all parts with a mild soap or degreaser and warm water solution.

Question: What causes grill parts to rust and what affect does it have on the grill materials?

Answer: Rusting is a natural oxidation process and may appear on cast-iron and steel parts. Rust will not affect the short-term performance of your grill. Stainless steel grill parts will not rust. However, weathering and extreme heat can cause a stainless steel lid to turn a bronze color. This is discoloration, not rust, and is not considered a manufacturing defect.

Question: What causes my stainless steel grill lid to discolor and how do I clean my grill lid?

Answer: Smoke, weathering and high heat can cause a stainless steel grill lid to turn bronze in color. This is not to be confused with rust and is not a product defect. Machine oils used in the manufacturing process of stainless steel as well as cooking oils and a dirty grill lid can also encourage discoloration if the lid is not cleaned prior to grill use. After your grill is assembled, remove the protective PVC film from your grill lid and use a stainless steel cleaner and soft cloth to remove residual adhesive and oils from the inside and outside of your grill lid. Never use abrasive cleaners or scrubbers. In addition to the initial cleaning, routine cleaning to remove dirt, grease and oils will help discourage lid discoloration.

Question: Can I convert my grill from propane gas to natural gas?

Answer: Most gas grills are manufactured to exact specifications and are certified for either propane gas or natural gas use only. However, some models can be converted safely with conversion kits available for specific models. Contact Brinkmann Customer Service at 800-527-0717 to see if your grill can be converted.

Question: Why does the hose / regulator assembly supplied with my grill not fit the older LP gas tank I've used for years?

Answer: U.S. Government regulates gas appliances and LP gas tanks. When regulations were changed, the LP gas tank fittings were updated to ensure compliance. If your LP gas tank does not fit the hose / regulator supplied with your new grill, the tank is outdated and must be replaced. NOTE: Effective April 1, 2002, all LP gas tanks sold must include an "OPD" overflow protection device. This internal device prevents the LP gas tank from being overfilled. Tanks without an OPD valve cannot be refilled.

Question: Sometimes I hear a humming sound coming from my gas regulator. Should I be concerned?

Answer: The humming sound is gas flowing through the regulator. A low volume of noise is normal and will not interfere with the operation of your grill. If the humming noise is loud and excessive, you need to purge air from the gas line or reset the regulator flow limiting device following the Regulator Resetting Procedure under Connecting LP Cylinder and Hose/Regulator to Grill. This procedure should be done every time a new LP gas tank is connected to your grill. For help, refer to your owner's manual or call Brinkmann Customer Service at 800-527-0717.

PARTS BAG CONTENTS

Make sure you have all items listed under **PARTS LIST** and **PARTS BAG CONTENTS** before you begin the installation process.

Your Parts Bag will include:

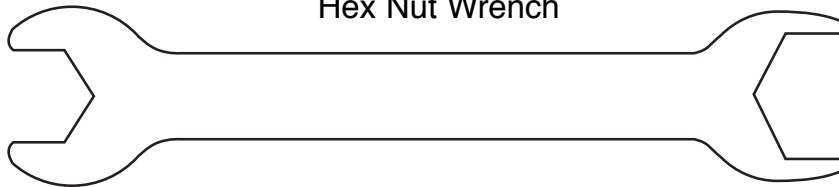
Qty.

- 12 M6 X 50mm Bolts
- 22 M6 X 15mm Bolts
- 12 M4 X 10mm Bolts
- 4 M4 X 40mm Bolts

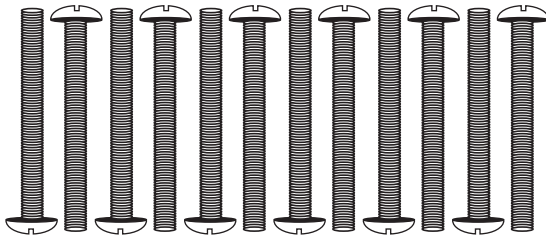
Qty.

- 10 Star Washers
- 1 AA/1.5V Alkaline Battery
- 1 Screwdriver
- 1 Hex Nut Wrench

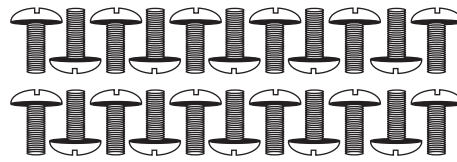
Hex Nut Wrench



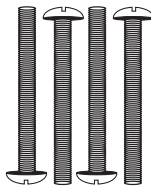
M6 X 50mm Bolts



M6 X 15mm Bolts



M4 X 40mm Bolts



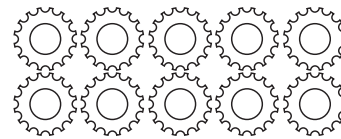
AA/1.5V Alkaline Battery



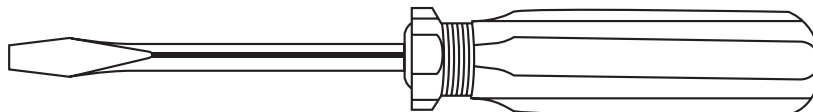
M4 X 10mm Bolts



Star Washers



Screwdriver



ASSEMBLY INSTRUCTIONS

⚠ READ ALL SAFETY WARNINGS & ASSEMBLY INSTRUCTIONS CAREFULLY BEFORE ASSEMBLING OR OPERATING YOUR GRILL.

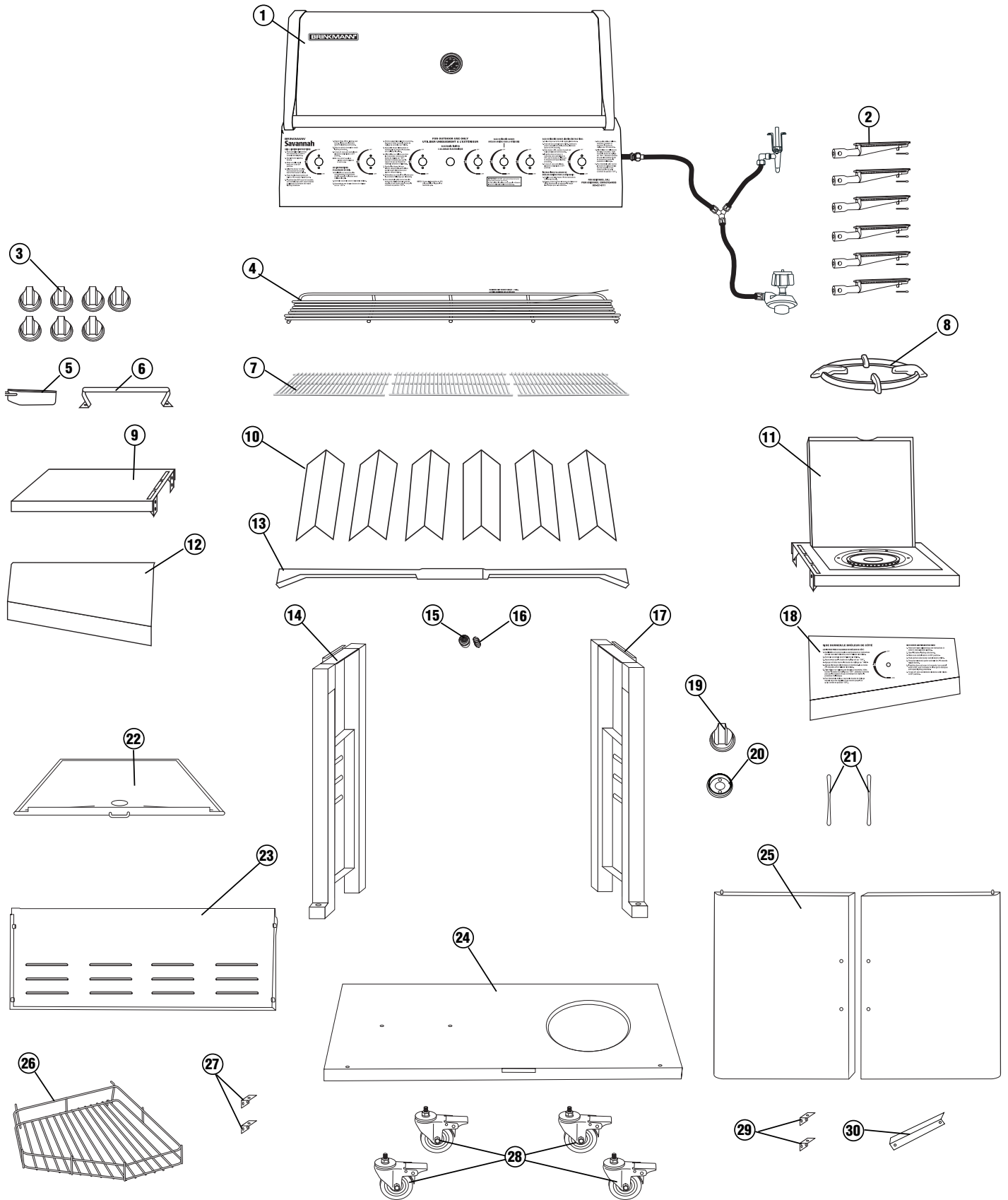
WE RECOMMEND TWO PEOPLE WORK TOGETHER WHEN ASSEMBLING THIS UNIT.

The following provided tools are required to assemble this Savannah 6630 Stainless Steel Gas Grill:

- Flathead Screwdriver
- Hex Nut Wrench

PARTS LIST:

①	1	Grill Body Assembly	⑩	6	Heat Distribution Plates
②	6	Burners	⑪	1	Side Burner Assembly
③	7	Control Knobs	⑫	1	Left Side Table Front Panel
④	1	Warming Rack	⑬	1	Door Bracket
⑤	1	Grease Cup	⑭	1	Left Side Cart Panel
⑥	1	Loop Strap Bracket	⑮	1	Electronic Igniter Button
⑦	3	Cooking Grills	⑯	1	Electronic Igniter Spring
⑧	1	Side Burner Grate	⑰	1	Right Side Cart Panel
⑨	1	Left Side Table	⑱	1	Side Burner Front Panel
			⑲	1	Side Burner Knob
			⑳	1	Bezel
			㉑	2	Door Handles
			㉒	1	Grease Tray
			㉓	1	Back Panel
			㉔	1	Cart Base
			㉕	2	Doors
			㉖	1	Basket
			㉗	2	Basket Brackets
			㉘	4	Locking Casters
			㉙	2	Door Brackets
			㉚	1	Basket Guide



FOR MISSING PARTS, PLEASE CALL CUSTOMER SERVICE AT 800-527-0717.

(Proof of purchase will be required.)

Inspect contents of the box to ensure all parts are included and undamaged.

Choose a good, cleared assembly area and get a friend to help you put your grill together. Lay cardboard down to protect grill finish and assembly area.

⚠ CAUTION! Some parts may contain sharp edges. Wear protective gloves if necessary.

Step 1

Attach cart base to side panels. Insert four M6 X 50mm bolts through cart base and into legs and tighten securely. Be sure the door hinge pin holes face forward.

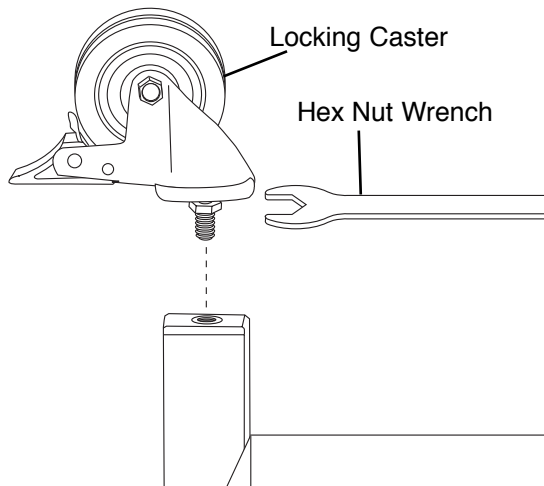
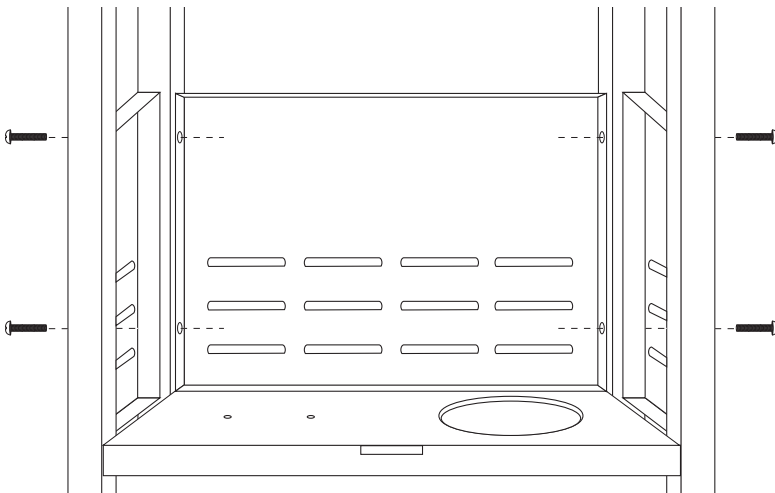
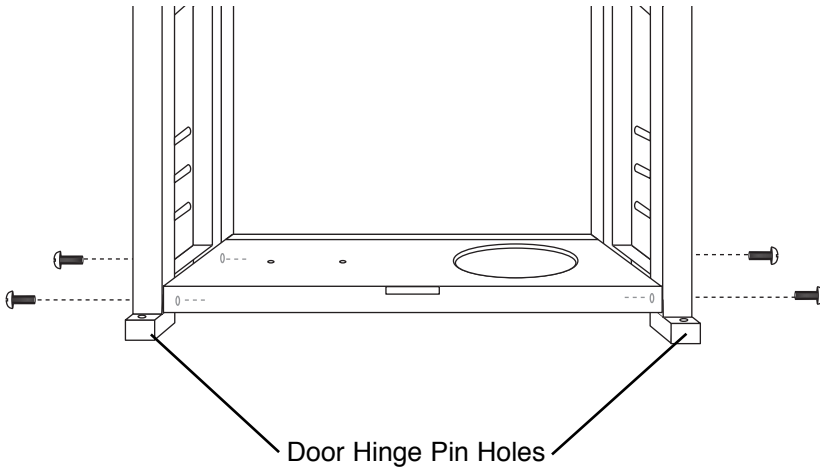
Step 2

Attach back panel to legs using four M6 X 50mm bolts.

NOTE: With the help of a friend, turn the cart assembly over. Try to minimize the stress to the legs.

Step 3

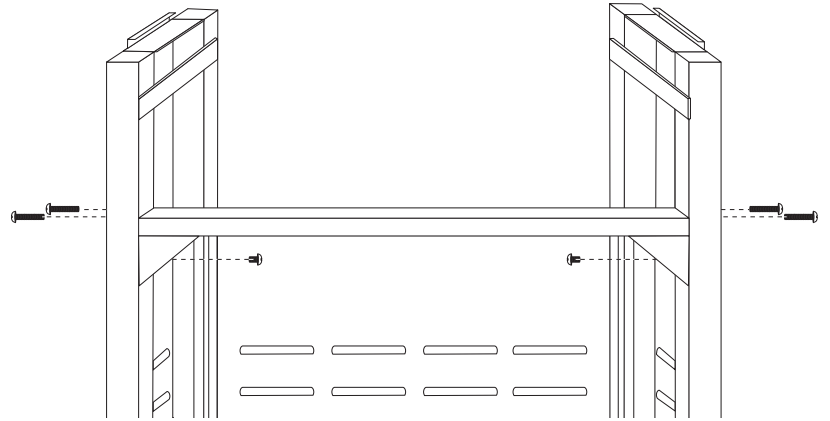
Attach locking casters to the bottom of the legs. Tighten caster bolts securely using hex nut wrench provided in parts pack.



NOTE: With the help of a friend, turn the cart to its upright position.

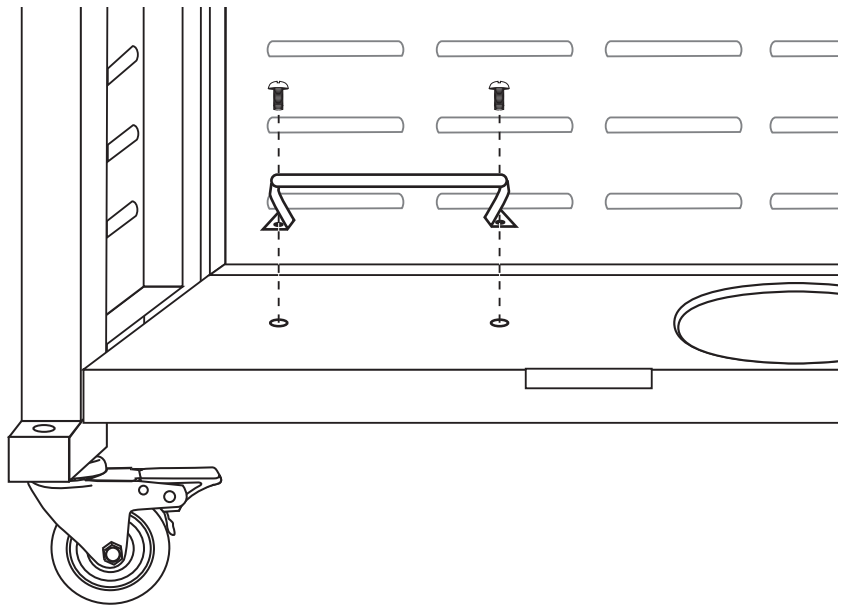
Step 4

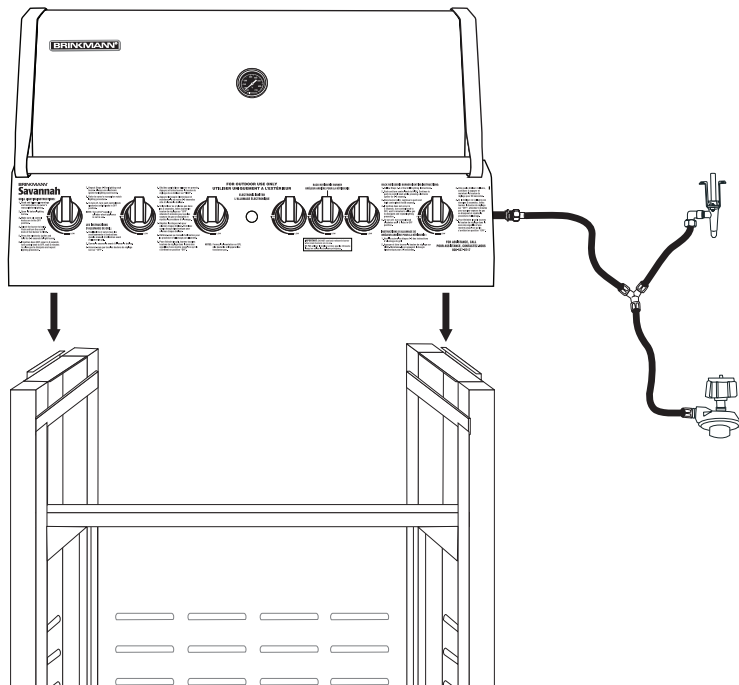
Install door bracket using four M6 X 50mm bolts and two M6 X 15mm bolts. Make sure the door stop is set toward back of cart. (Hand tighten only at this point)



Step 5

Attach the loop strap bracket onto the cart base using two M6 X 15mm bolts.





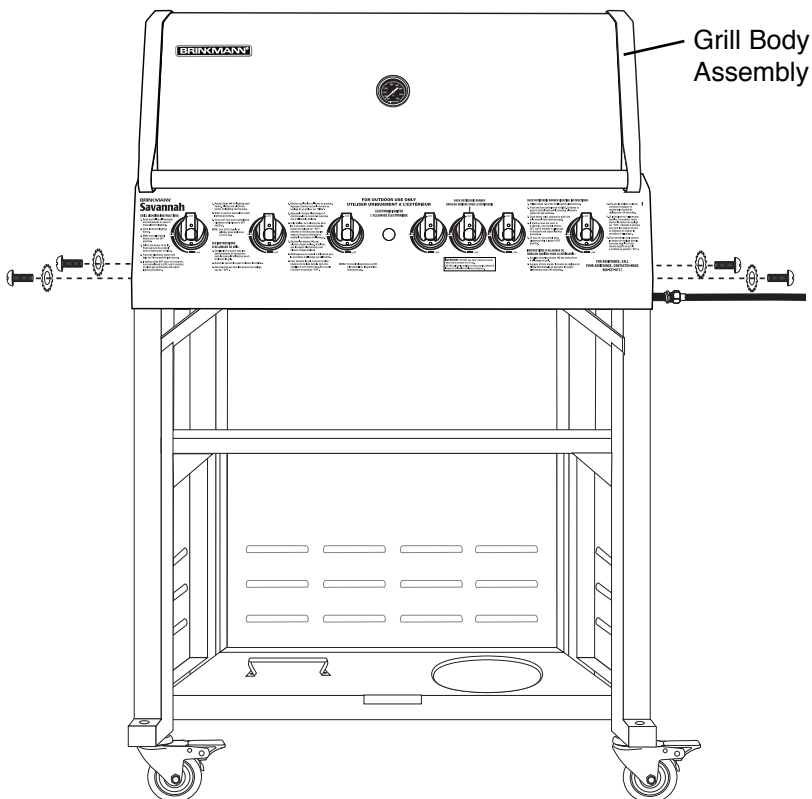
NOTE: When performing Step 6, Lift grill body from front and rear panels to avoid injury to hands and fingers.

Step 6

With the help of a friend, place grill body assembly on cart frame. Grill body will rest on the side bars of cart frame assembly. Align bolt holes located on the outside of the grill body assembly.

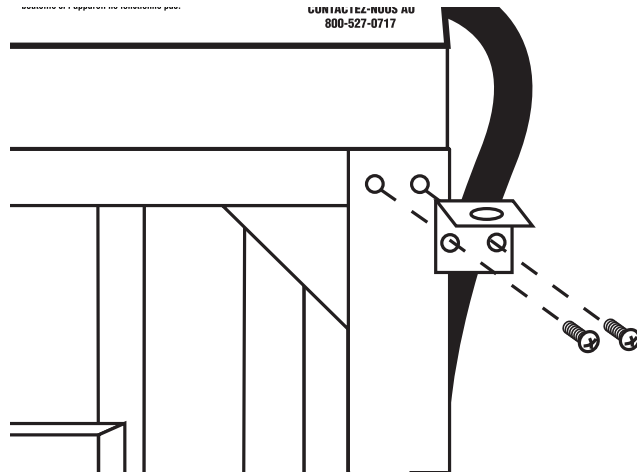
Step 7

Secure using four M6 X15mm bolts with star washers. At this point, fully tighten four bolts holding back panel from Step 2 and the six bolts holding door bracket from Step 4 .



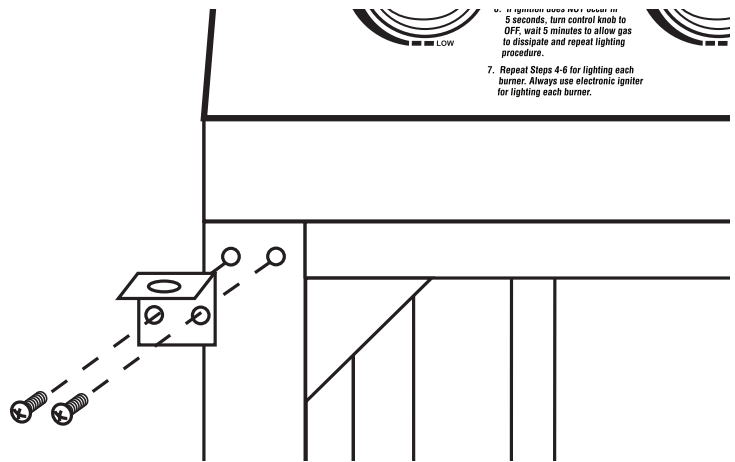
Step 8

Attach right side door bracket to right front cart panel using two M4 X 10mm bolts. The right side door bracket is stamped with an 'R.'



Step 9

Attach left side door bracket to left front cart panel using two M4 X 10mm bolts. The left side door bracket is stamped with an 'L.'

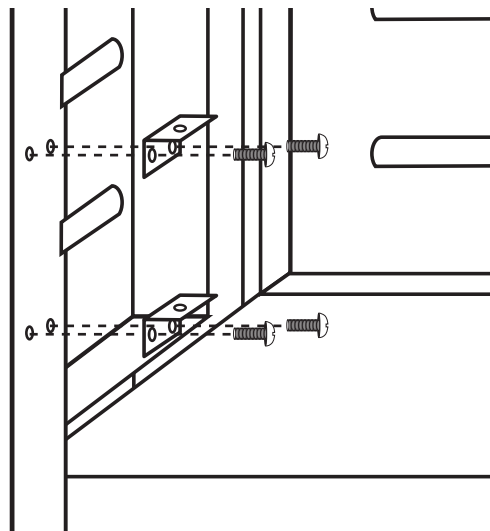
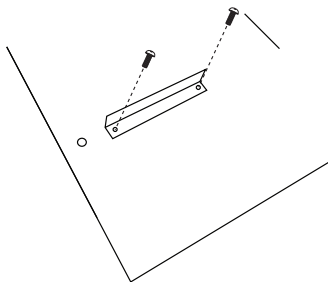


Step 10

Attach the two basket brackets to the inside left front leg using four M4 X 10mm bolts.

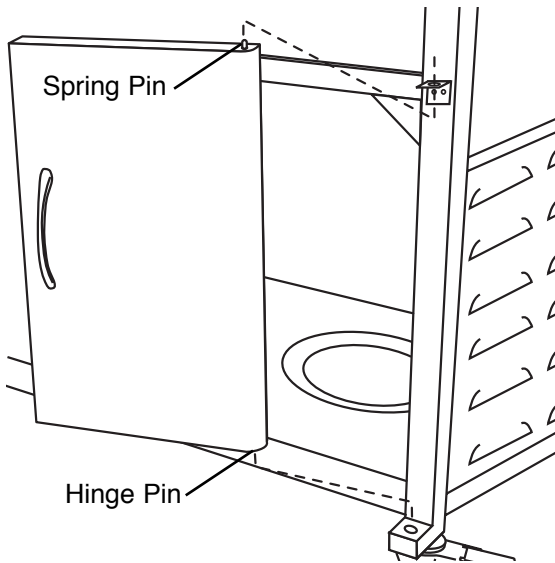
Step 11

Attach the basket guide onto the left side door rear panel using two M4 X 10mm bolts.



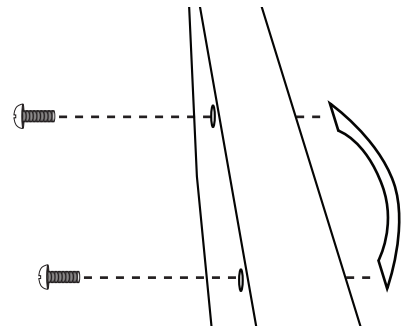
LUNIAU TEC-NOUS AU
800-527-0717

4. If igniter does not spark within 5 seconds, turn control knob to OFF, wait 5 minutes to allow gas to dissipate and repeat lighting procedure.
7. Repeat Steps 4-6 for lighting each burner. Always use electronic igniter for lighting each burner.



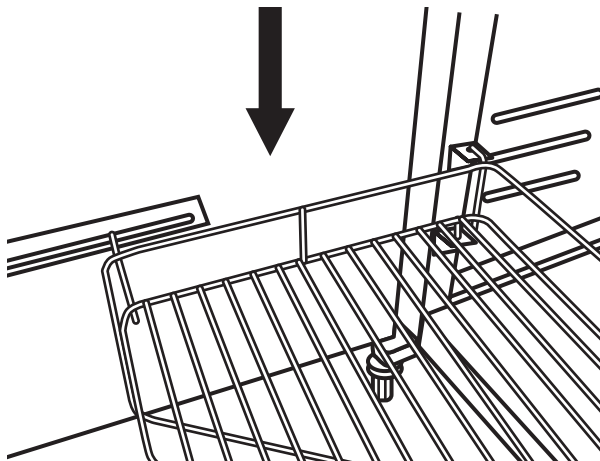
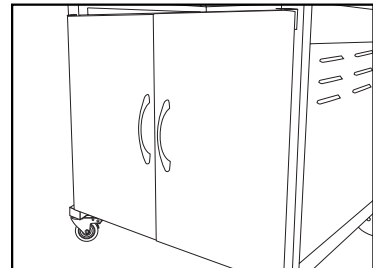
Step 12

Attach the door handles using two M4 X 40mm bolts.



Step 13

Insert hinge pin in bottom of right side door into hole at the bottom right front cart leg then align door with right side door bracket. Depress spring pin located on top edge of door and slide door toward right side door bracket until spring pin locks into hole in door bracket. Repeat for other door.

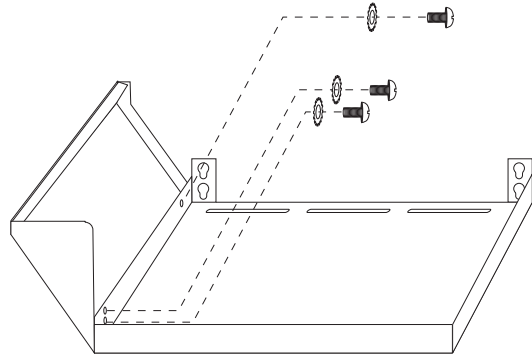


Step 14

Place the baskets into basket brackets and the basket guide.

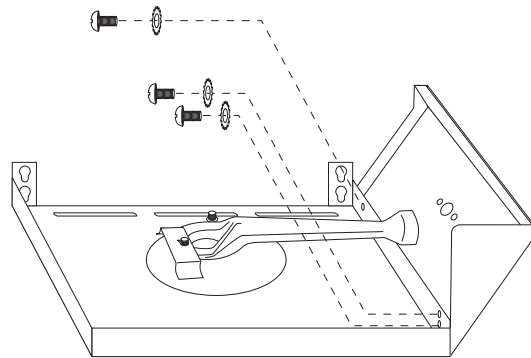
Step 15

Attach side table front panel to side table with three M6 X 15mm bolts with star washers.



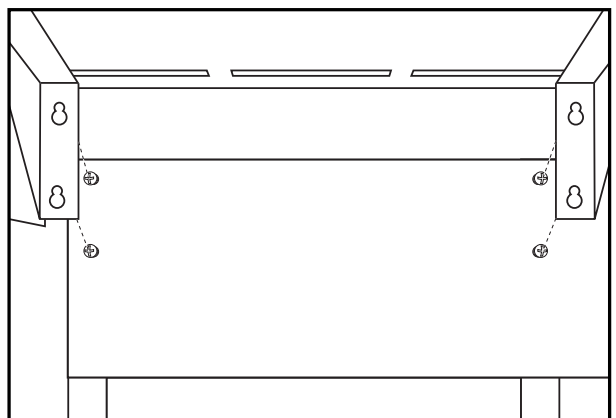
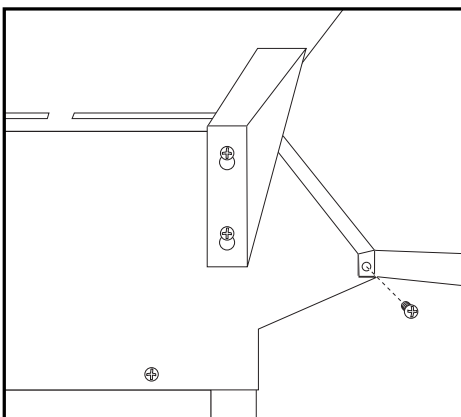
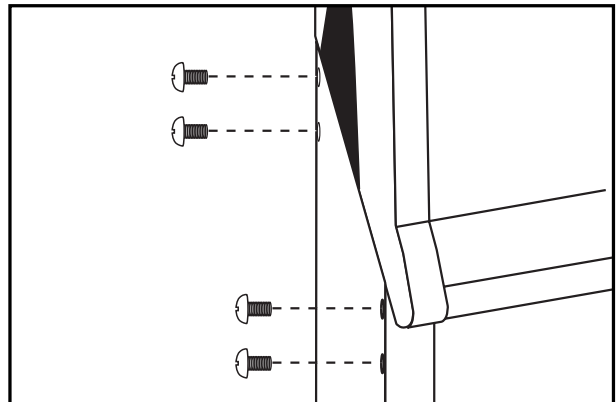
Step 16

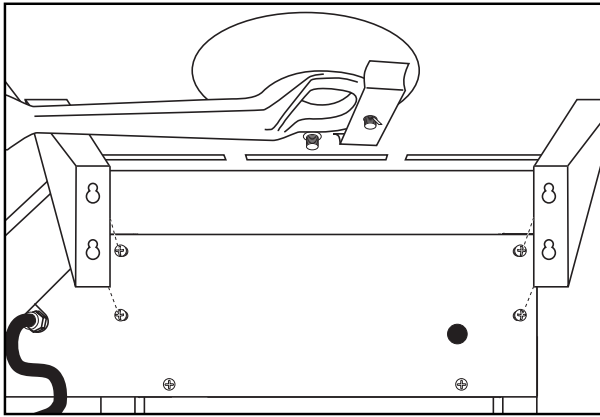
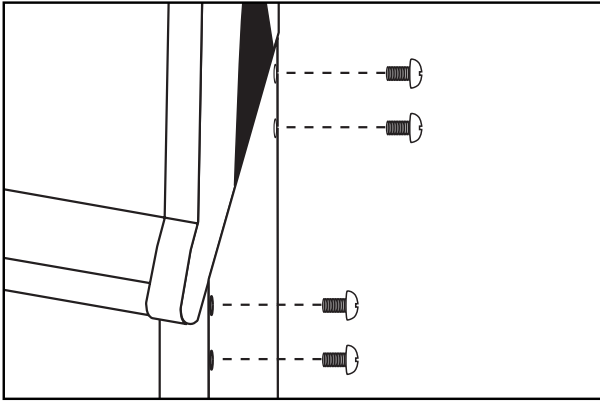
Attach side burner front panel to side burner with three M6 X 15mm bolts with star washers.



Step 17

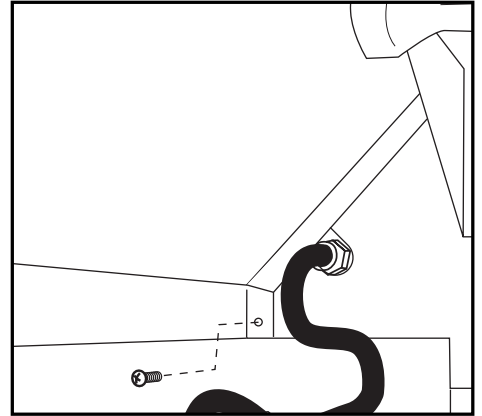
Attach side table to left side of grill body. Insert four M6 X15mm bolts halfway into the left side grill body panel. Place side table keyholes over bolts and slide down, then tighten securely. Fasten side table front panel to grill body with one M4 X 10mm bolt.





Step 18

Attach side burner assembly to right side of grill body. Insert four M6 X 15mm bolts halfway to the right side grill body panel. Place side burner assembly keyholes over bolts and slide down, then tighten securely. Fasten side burner front panel to grill body with one M4 X 10mm bolt

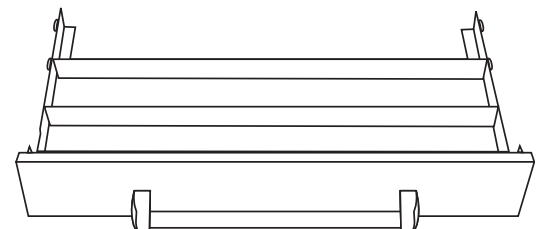
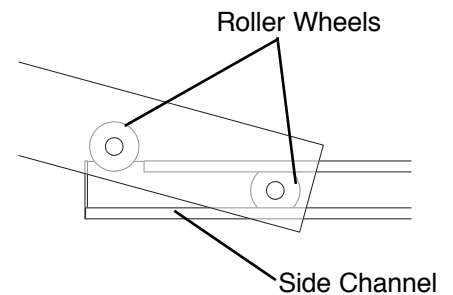
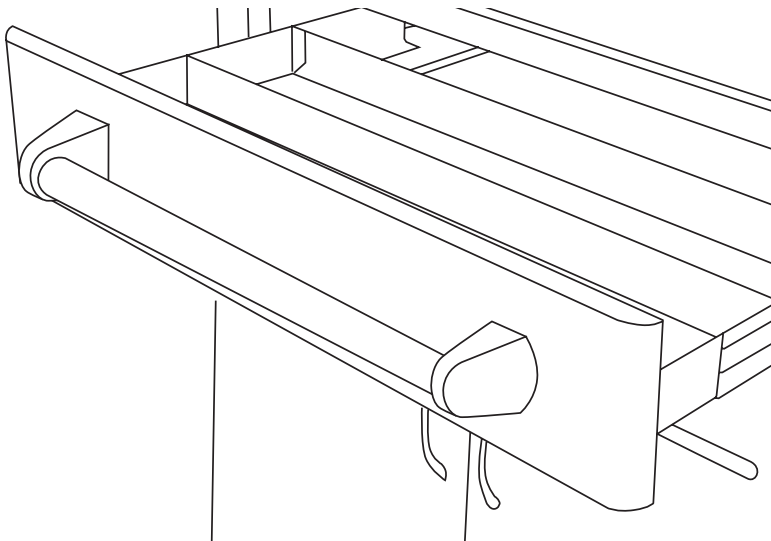


Step 19

Insert tool drawer into front opening under control panel by dropping roller wheels into side channels.

Warning: DO NOT store flammable products: paper towels, rags, pot holders, etc. in tool drawer.

Tool Drawer



Step 20

Remove two bolts and washers from the side burner valve. Insert the side burner valve assembly through the hole in the side burner table base, then firmly seat the valve nozzle into the burner venturi. Hold in place while you perform Step 21.

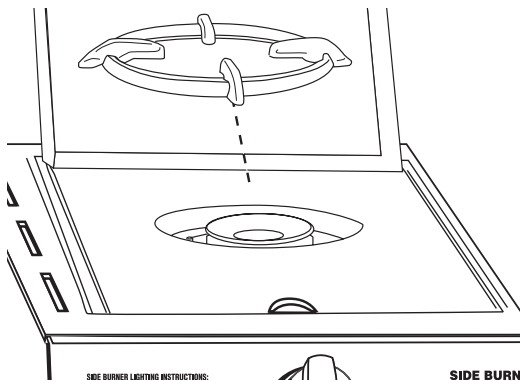
Warning: Never use your grill without leak testing all gas connections and hoses. See the section on "Leak Testing" in this manual for proper procedures.

Step 21

Place the bezel over the control knob mounting stem and position over holes in side burner base and side burner valve assembly. Attach with two bolts with spring washers which come with valve. Then install the side burner control knob onto valve stem.

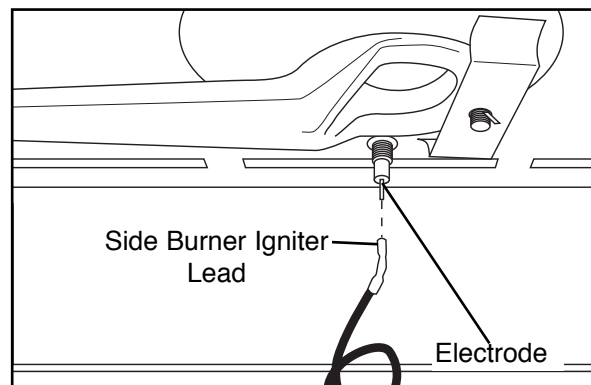
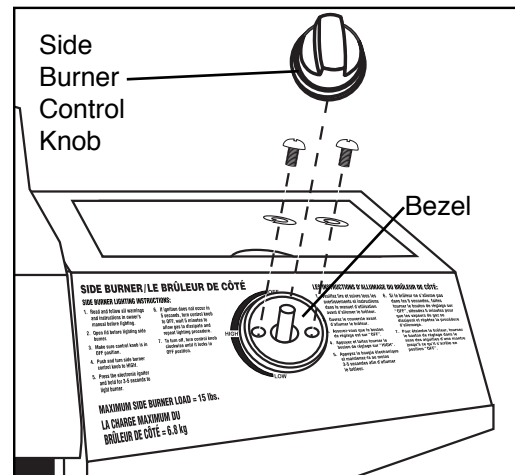
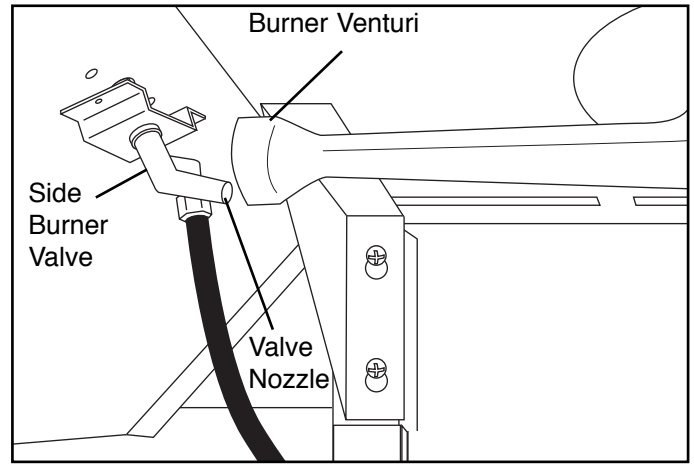
Step 22

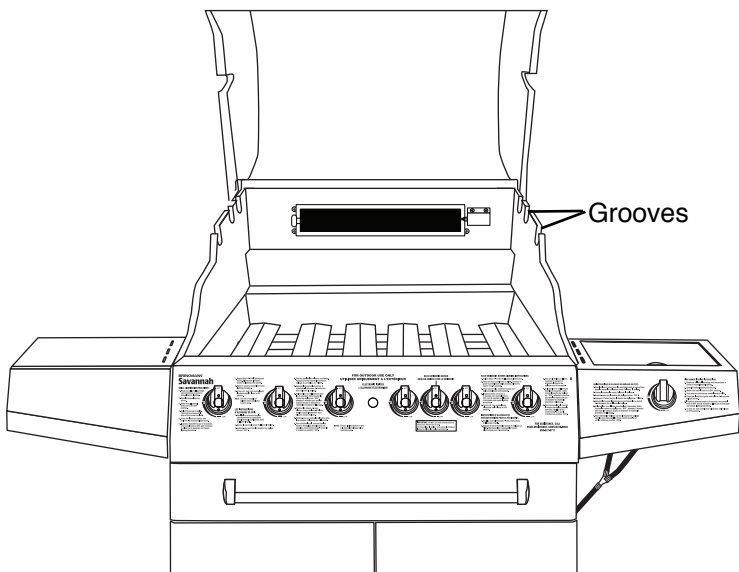
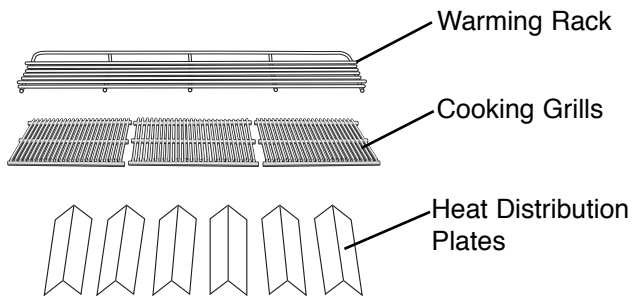
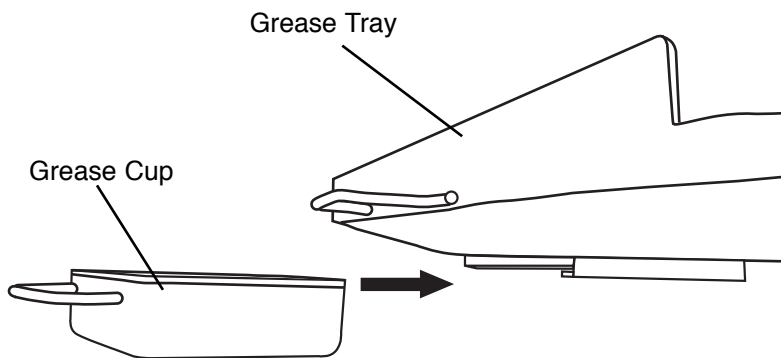
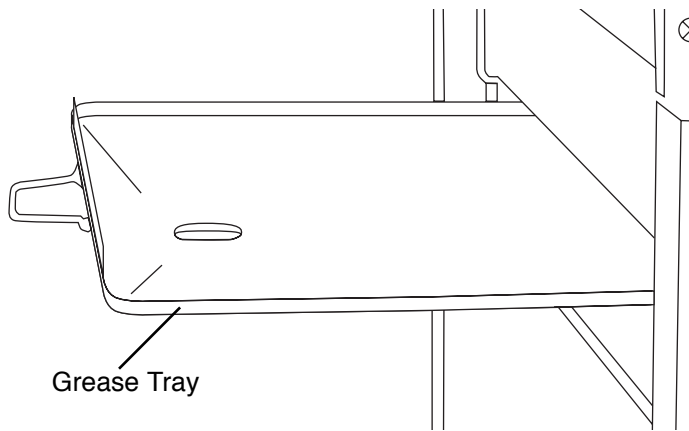
Place side burner grate on side burner.



Step 23

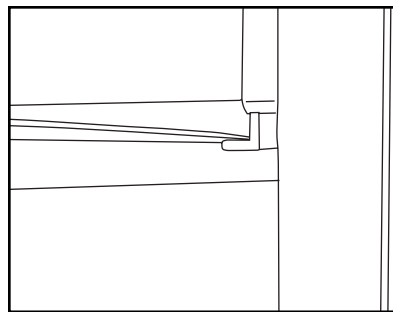
Attach side burner igniter lead wire to the electrode as illustrated.





Step 24

Insert grease tray into opening on backside of grill. Make sure to slide tray onto tracks as illustrated.



Step 25

Slide grease cup into grease cup bracket located under grease tray.

Step 26

Place the heat distribution plates on lower level of grill body assembly directly above burners.

Step 27

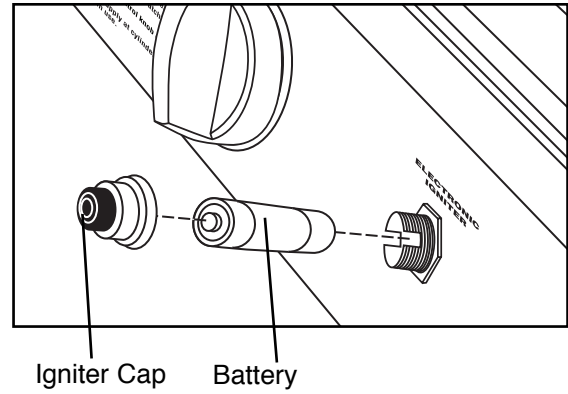
Place cooking grills on support ribs directly above heat distribution plates.

Step 28

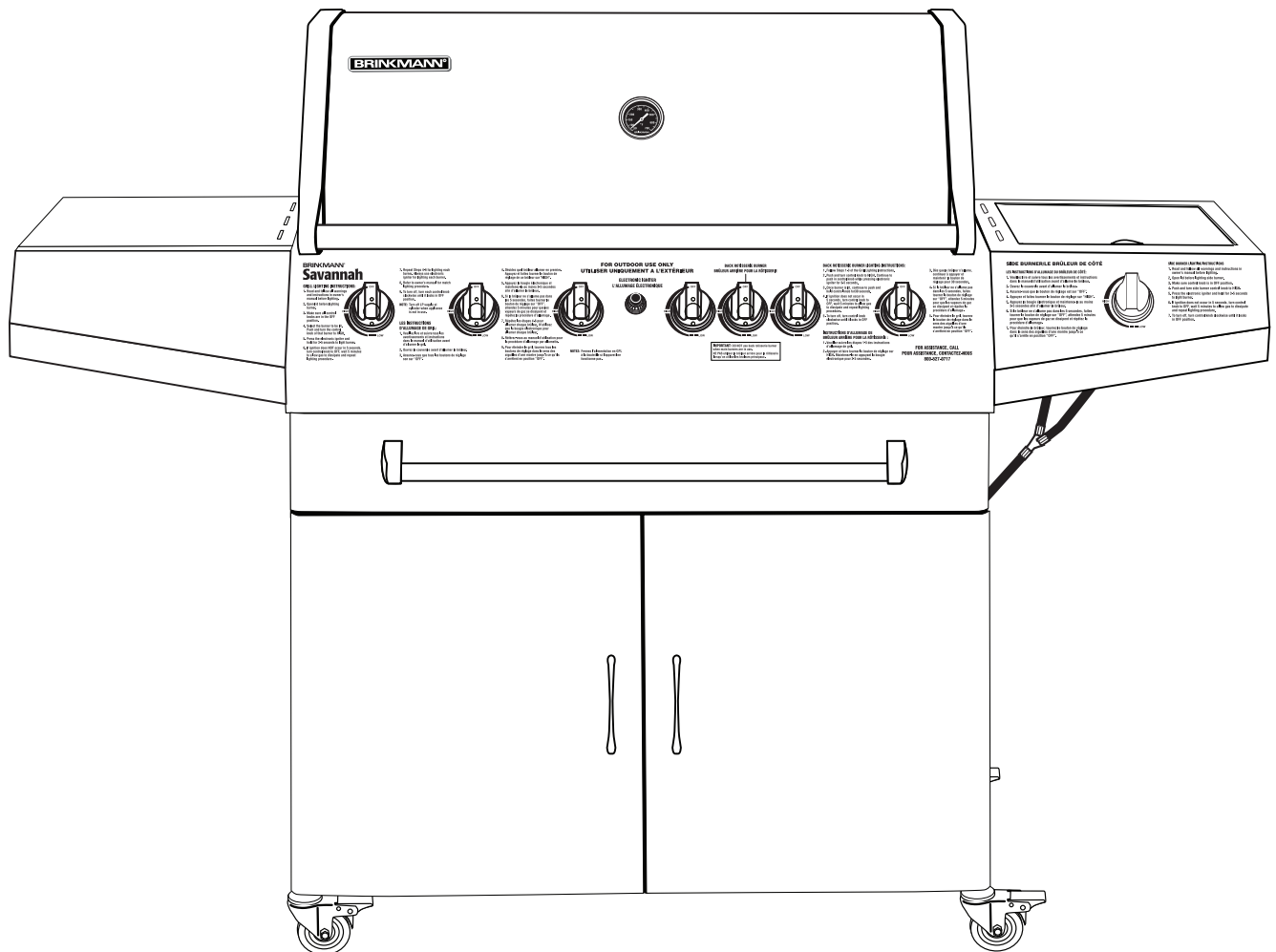
Place warming rack in grooves so that it sits above the cooking grills.

Step 29

Remove igniter cap and insert battery with positive end of battery toward igniter cap. Replace igniter cap and make sure the igniter is working properly.




Savannah 6630 (Assembled)





AVERTISSEMENTS IMPORTANTS CONCERNANT LA SÉCURITÉ

NOUS VOULONS QUE CE GRIL SOIT ASSEMBLÉ ET UTILISÉ DANS DES CONDITIONS AUSSI SÉCURITAIRES QUE POSSIBLE. CE SYMBOLE D'ALERTE À LA SÉCURITÉ  A POUR OBJET D'ATTIRER L'ATTENTION SUR LES DANGERS POUVANT SE PRÉSENTER LORS DE L'ASSEMBLAGE ET DU FONCTIONNEMENT DU GRIL.

LORSQUE LE SYMBOLE D'ALERTE À LA SÉCURITÉ  APPARAÎT, TRE TRÈS ATTENTIF AUX INFORMATIONS QUI LE SUIVENT !

 LIRE ATTENTIVEMENT TOUS LES AVERTISSEMENTS ET INSTRUCTIONS CONCERNANT LA SÉCURITÉ AVANT D'ASSEMBLER ET DE FAIRE FONCTIONNER LE GRIL.

DANGER

EN CAS DE PERCEPTION D'UNE ODEUR DE GAZ:

1. Couper l'arrivée de gaz à l'appareil.
2. Eteindre toute flamme nue.
3. Ouvrir le couvercle.
4. Si l'odeur persiste, quitter les lieux et appeler immédiatement le fournisseur de gaz ou les services de lutte contre l'incendie.

AVERTISSEMENT

1. Ne pas entreposer ni utiliser de l'essence ni d'autres liquides à vapeurs inflammables au voisinage de cet appareil ou de tout autre appareil similaire.
2. Une bouteille de propane liquéfié non raccordée à l'appareil ne doit pas être entreposée au voisinage de celui-ci ou de tout autre appareil similaire.

DANGER



- NE PAS entreposer une bouteille de propane liquéfié de réserve sous cet appareil ni près de celui-ci.
- Ne jamais remplir la bouteille à plus de 80 %.
- Un incendie causant des blessures graves, voire mortelles, risque de se produire si les instructions qui précèdent ne sont pas suivies à la lettre.

TABLE DES MATIÈRES

Avertissements généraux	34
Installation, spécifications de bouteilles de propane liquéfié et utilisation sans danger.	35–37
Raccordement de la bouteille de propane liquéfié et de l'ensemble tuyau / détendeur au gril	37–38
Contrôle d'étanchéité.	39–40
Liste des vérifications précédant la mise en service	40
Instructions d'allumage	41–42
Fonctionnement du gril et conseils utiles	43–45
Entretien approprié	45–47
Transport et remisage	47
Dépannage	48
Questions posées fréquemment	49–50
Liste des pièces et instructions d'assemblage	51–63
Informations concernant la garantie	Quatrième de couverture

⚠ DANGER: Indique une situations extrêmement dangereuse qui, si elle n'est pas évitée, entraînera des blessures graves, voire mortelles.

⚠ AVERTISSEMENT: Faire attention aux risques de blessures graves en cas d'inobservation des instructions. Veiller à lire tous les messages et à les respecter à la lettre.

⚠ ATTENTION: Indique une situation potentiellement dangereuse qui, si elle n'est pas évitée, peut entraîner des blessures légères ou modérément graves.

AVERTISSEMENTS GÉNÉRAUX

⚠ AVERTISSEMENT

- Ne jamais utiliser du gaz naturel dans un appareil conçu pour fonctionner au propane liquéfié.
- Ne jamais utiliser de charbon de bois ni de liquide d'allumage dans un gril à gaz.
- Contrôler l'étanchéité de tous les branchements avant la mise en service, même si le gril a été acheté entièrement assemblé, et après chaque remplissage de la bouteille.
- Ne jamais contrôler l'étanchéité à l'aide d'une allumette ou d'une flamme nue.

⚠ ATTENTION! Des odeurs fortes, un rhume, une sinusite, etc. peuvent empêcher la détection d'une fuite de propane. Faire preuve de prudence et de bon sens lors du contrôle d'étanchéité.

- Toujours conserver le gril à l'abri et à l'écart de l'essence, d'un diluant, des vapeurs et liquides inflammables ou des matières combustibles.
- Toujours vérifier le gril avant chaque utilisation comme indiqué dans la section "Liste des vérifications précédant la mise en service" de cette notice.
- **NE PAS gêner la circulation d'air de combustion ou de ventilation.**
- Ne jamais placer plus de 6,8 kg (15 lbs) sur le brûleur latéral. **NE PAS s'appuyer sur la tablette du brûleur latéral**
- Ne pas laisser les enfants et animaux de compagnie s'approcher du gril chaud. **NE PAS laisser les enfants se servir du gril ni jouer à côté.**
- **NE PAS laisser le gril sans surveillance lorsqu'il est en marche.**
- **NE PAS laisser le tuyau de gaz toucher les surfaces brûlantes.**
- **NE PAS laisser la graisse coulant de l'orifice d'écoulement tomber sur le tuyau ni sur le détendeur.**
- Maintenir tout cordon d'alimentation électrique à l'écart de l'eau ou des surfaces chauffées.
- Conserver à portée de la main un extincteur utilisable pour les gaz enflammés. Consulter les autorités locales pour la taille et le type corrects.
- Pour usage ménager uniquement. **NE PAS utiliser le gril pour tout usage autre que celui pour lequel il est conçu.**
- **NE PAS utiliser l'appareil en état d'ébriété ni après s'être drogué.**
- Le gril est brûlant lorsqu'il est en marche. Pour éviter des brûlures:
 - **NE PAS essayer de déplacer le gril.**
 - **Bloquer les roues pour empêcher l'appareil de se déplacer inopinément.**
 - **Porter des gants protecteurs ou de cuisine.**
 - **NE PAS toucher les surfaces brûlantes du gril.**
 - **NE PAS porter de vêtements lâches ni laisser ses cheveux toucher le gril.**

⚠ FAIRE PREUVE DE PRUDENCE ET DE BON SENS POUR UTILISER LE GRIL À GAZ.

L'INOBSERVATION DES AVERTISSEMENTS ET DIRECTIVES CONCERNANT LA SÉCURITÉ FIGURANT DANS CETTE NOTICE PEUT ENTRAÎNER DES BLESSURES GRAVES OU DES DÉGÂTS MATÉRIELS.

CONSERVER CETTE NOTICE POUR RÉFÉRENCE.

⚠ AVERTISSEMENT

- **POUR USAGE EN PLEIN AIR UNIQUEMENT. NE PAS** faire fonctionner l'appareil à l'intérieur ni dans un local fermé tel qu'un garage, un abri ou un passage couvert.
- **Faire fonctionner le gril À L'EXTÉRIEUR** dans un local bien aéré à l'écart des habitations ou autres bâtiments pour éviter les dangers liés à l'accumulation de gaz et aux vapeurs toxiques. Nous recommandons de placer le gril à au moins 3,1 mètres (10 pi) des bâtiments.
- **Maintenir un dégagement de 91 centimètres (36 po)** entre tous les côtés du gril et les murs ou autres matériaux combustibles. **NE PAS** faire fonctionner le gril sous un surplomb combustible non protégé.
- **NE PAS** faire fonctionner ce gril ni l'installer dans un véhicule de loisirs ni sur un bateau.

INFORMATIONS CONCERNANT L'INSTALLATION:

L'installation de cet appareil doit être conforme à:

- L'ensemble de la réglementation locale applicable ou, en l'absence d'une telle réglementation, au:
- Code du gaz naturel ANSI Z223.1 NFPA 54
- Code des installations à gaz naturel ou propane: CAN/CGA B149.1
- Code des installations à gaz naturel: CAN/CGA B149.1 (Canada)
- Code des installations à propane: CAN/CGA B149.2 (Canada)

Pour consulter la réglementation locale, s'adresser au revendeur local de propane liquéfié ou à la compagnie de gaz naturel. Ce gril n'est pas destiné à être raccordé à une canalisation d'alimentation en gaz naturel. Si une source de courant externe est utilisée, elle doit être mise à la terre conformément à la réglementation locale applicable ou, en l'absence d'une telle réglementation, au Code électrique national, ANSI/NFPA 70, ou au Code électrique canadien, ACNOR 22.1.

⚠ AVERTISSEMENT

BOUTEILLE DE PROPANE LIQUÉFIÉ (NON FOURNIE AVEC CE GRIL)

Il est possible de se procurer la bouteille de propane liquéfié dans le même magasin que le gril.

La bouteille de propane liquéfié spécialement conçue pour être utilisée avec ce gril doit avoir une contenance de 9,1 kg (20 lbs), ainsi qu'être équipée d'un robinet de bouteille Type 1 et d'un dispositif de protection contre un remplissage excessif.

- **NE PAS** raccorder ce gril à un robinet de bouteille n° 510 POL existant fileté à gauche. Le robinet Type 1 se reconnaît au gros filetage extérieur de sa sortie.
- **NE PAS** raccorder le gril à une bouteille de propane d'une contenance supérieure.
- **NE PAS** raccorder le gril à une bouteille équipée de tout autre type de dispositif de raccordement au robinet.

SPÉCIFICATIONS DE BOUTEILLES DE PROPANE LIQUÉFIÉ:

Lors de l'achat ou de l'échange d'une bouteille destinée au gril à gaz, cette bouteille doit être fabriquée et estampillée conformément aux spécifications de bouteilles de propane liquéfié du ministère des transports américain (DOT) ou à la norme nationale canadienne, CAN/ACNOR B339 – Bouteilles, réservoirs sphériques et tubulaires pour transport de matières dangereuses, et de la Commission, suivant le cas, et être équipée d'un dispositif de protection contre le remplissage excessif agréé et d'un dispositif de raccordement de bouteille conçu pour le raccordement des appareils de cuisson utilisés en plein air.

La bouteille doit également être équipée de ce qui suit:

- Un robinet d'arrêt se terminant par une sortie de robinet de bouteille de gaz Type 1.
- Un robinet Type 1 empêchant le gaz de circuler tant qu'une étanchéité positive n'est pas obtenue.
- Un dispositif d'extraction de vapeur.
- Un collet protégeant le robinet d'arrêt de la bouteille.
- Un dispositif de surpression communiquant directement avec l'espace de vapeur de la bouteille.
- Un dispositif agréé de protection contre le remplissage excessif.

⚠ AVERTISSEMENT

- **Fermer le robinet de la bouteille lorsque le gril n'est pas en service.**
- **Manipuler la bouteille avec précaution.**
- **Toujours immobiliser la bouteille en position verticale.**
- **Ne jamais raccorder une bouteille de propane liquéfié sans détendeur au gril.**
- **NE PAS exposer les bouteilles de propane liquéfié à une chaleur excessive ni à des sources d'inflammation.**
- **NE PAS entreposer une bouteille de propane liquéfié de réserve sous le gril ni à côté.**
- **Ne faire remplir ou réparer la bouteille que par des revendeurs de propane liquéfié qualifiés.**
- **NE PAS faire remplir la bouteille à plus de 80 % de sa contenance.**
- **Lire et respecter tous les avertissements et instructions figurant sur la bouteille et accompagnant ce produit.**

⚠ DANGER

- **Ne jamais entreposer une bouteille de propane liquéfié de réserve sous le gril ni à côté. Cela risquerait de causer une expulsion de l'excédent de pression par la soupape de surpression de vapeur entraînant un incendie, une explosion ou des blessures graves, voire mortelles.**

REMARQUE: LE GAZ PROPANE EST PLUS LOURD QUE L'AIR ET S'ACCUMULE DANS LES ENDROITS BAS. UNE AÉRATION APPROPRIÉE EST EXTRÊMEMENT IMPORTANTE.

- **Maintenir le ou les orifices de ventilation de l'enveloppe de la bouteille de propane liquéfié libres d'obstructions et de débris.**
- **NE PAS enfoncer d'objet quelconque dans la sortie du robinet. Le dispositif de non retour risquerait d'être endommagé. Un tel dispositif endommagé peut causer une fuite pouvant entraîner une explosion, un incendie ou des blessures graves, voire mortelles.**

⚠ AVERTISSEMENT

REPLISSAGE DE LA BOUTEILLE DE PROPANE LIQUÉFIÉ:

- Ne faire remplir ou réparer la bouteille que par des revendeurs de propane liquéfié qualifiés.
- Faire purger les bouteilles neuves avant leur remplissage ; informer le revendeur de propane liquéfié en cas d'utilisation d'une bouteille neuve.
- **NE PAS** faire remplir la bouteille à plus de 80 % de sa contenance. Les bouteilles trop remplies peuvent créer une situation dangereuse. Elles peuvent subir une montée de pression causant l'expulsion de vapeurs de gaz propane par la soupape de surpression. Ces vapeurs sont combustibles et, si elles viennent au contact d'une source d'étincelles ou de flammes, une explosion entraînant des brûlures graves, des blessures ou la mort peut se produire.
- Toujours utiliser un capuchon protecteur de bouteille lorsque le gril n'est pas raccordé à celle-ci.
- En cas d'échange d'une bouteille dans le cadre d'un programme d'échange agréé, veiller à ce que la bouteille soit équipée d'un robinet Type 1 et d'un dispositif de protection contre le remplissage excessif.

MISE EN PLACE DE LA BOUTEILLE DE PROPANE LIQUÉFIÉ SUR LE GRIL:

- 1 Vérifier que le robinet de la bouteille est fermé en tournant la manette dans le sens horaire.
2. Placer la bouteille dans le support prévu à cet effet dans le fond de l'habillage.
3. Orienter la bouteille de façon à ce que l'orifice du robinet soit tourné vers le brûleur latéral et à ce que le tuyau ne soit pas entortillé ni endommagé.
4. Serrer à fond la bride qui se trouve en dessous du support de bouteille pour immobiliser celle-ci.
5. Ne raccorder le détendeur à la bouteille de propane liquéfié ou ne le débrancher que lorsque celle-ci repose dans son support.

TUYAU ET DÉTENDEUR:

Le gril est équipé d'un raccord Type 1 dont les caractéristiques sont les suivantes:

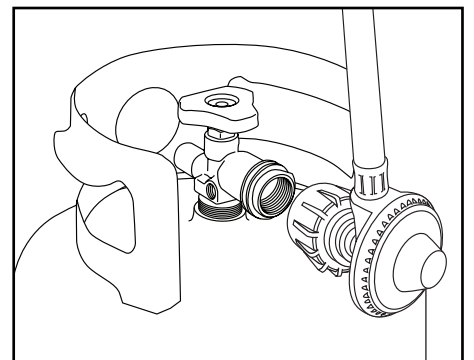
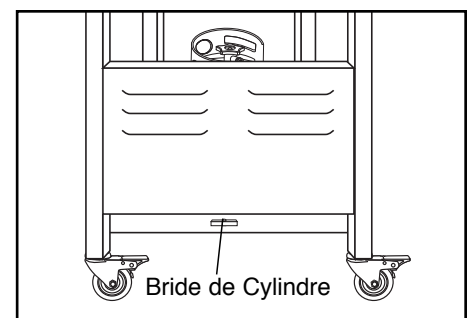
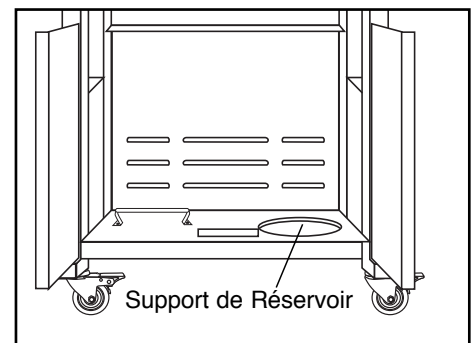
1. Le système ne permet pas au gaz de circuler à partir de la bouteille tant qu'un raccordement positif au robinet n'est pas réalisé.

REMARQUE: Le robinet de la bouteille doit être fermé avant tout raccordement ou débranchement.

2. Un dispositif thermique qui coupe la circulation de gaz s'il est soumis à des températures dépassant 115°C à 150 °C (240°F à 300°F). Si cela se produit, démonter l'ensemble du détendeur et le mettre au rebut comme il convient. Il est possible de se procurer un détendeur de rechange en prenant contact avec le service clientèle au 800-527-0717. Déterminer la cause de la chaleur excessive et corriger le problème avant de se resservir du gril.
3. Un limiteur de débit de détendeur, lorsqu'il est activé, limite le débit de gaz à 0,28 m³ (10 pi³) par heure. Si le limiteur de débit est activé, réinitialiser le détendeur.

RÉINITIALISATION DU DÉTENDEUR

1. Tourner les manettes des brûleurs sur "OFF" (arrêt), fermer le robinet de la bouteille de propane liquéfié et débrancher le détendeur de celle-ci. Attendre environ deux minutes.
2. Remonter le détendeur et rouvrir lentement le robinet de la bouteille. Le limiteur de débit est alors réinitialisé.



⚠ AVERTISSEMENT

- Ne jamais faire fonctionner le grill sans contrôler l'étanchéité de tous les branchements et tuyaux de gaz. Voir la section "Contrôle d'étanchéité" de cette notice pour la marche à suivre correcte.

⚠ AVERTISSEMENT

L'ensemble détendeur / tuyau fourni avec le grill doit être utilisé.

- NE PAS essayer de raccorder le grill à une autre source quelconque de combustible telle qu'une canalisation de gaz naturel.
- NE PAS utiliser d'ensemble détendeur / tuyau autre que celui qui est fourni avec le grill. L'ensemble détendeur / tuyau de rechange doit avoir le numéro 155-4400-0. Il est possible de se le procurer en s'adressant au service clientèle au 800-527-0717.
- NE PAS essayer de régler ni de réparer le détendeur. Il est conçu pour fonctionner à une pression de sortie maximum de 2,74 kPa (11 po à la colonne d'eau).

Lors de l'assemblage et/ou du remplacement de la bouteille de gaz, veiller à ce que le tuyau d'arrivée de gaz ne soit pas entortillé ni endommagé.

Contrôler visuellement le tuyau avant chaque utilisation pour voir s'il est endommagé, trop usé ou détérioré. Si c'est le cas, le remplacer avant de se servir du grill. N'utiliser que le tuyau de rechange fourni par le fabricant.

⚠ AVERTISSEMENT

RACCORDEMENT DE L'ENSEMBLE TUYAU / DÉTENDEUR À UNE BOUTEILLE DE PROPANE LIQUÉFIÉ

- S'assurer que le robinet de la bouteille de propane liquéfié est FERMÉ avant de la raccorder au grill. Tourner la manette du robinet dans le sens horaire pour bien fermer le robinet. Lire et respecter tous les avertissements et instructions figurant sur les étiquettes de sécurité du tuyau d'arrivée de gaz. Lire et respecter tous les avertissements de cette notice concernant l'utilisation sans danger des bouteilles de propane liquéfié, du tuyau et du détendeur avant de raccorder la bouteille au grill. Lire et respecter tous les avertissements figurant sur la bouteille de propane liquéfié.

RACCORDEMENT DE L'ENSEMBLE TUYAU / DÉTENDEUR

1. Vérifier que le robinet de la bouteille est fermé en tournant sa manette dans le sens horaire.
2. Vérifier que les manettes des brûleurs du grill sont en position "OFF" (arrêt).
3. Retirer le capuchon protecteur en plastique du robinet de la bouteille et du raccord.
4. Tenir le détendeur et introduire le manchon du raccord dans la sortie du robinet de la bouteille de propane liquéfié. S'assurer que le raccord est centré correctement.
5. Tourner le gros écrou de raccord dans le sens horaire avec les doigts et le serrer à fond. Faire attention de ne pas fausser le filetage de l'écrou de raccord en le serrant sur le robinet de la bouteille. Ne pas trop serrer la manette du robinet. Ne pas utiliser d'outil pour serrer le raccord.

REMARQUE: s'il s'avère impossible d'effectuer le raccordement, répéter les opérations 4 et 5.

6. Vérifier que le tuyau n'est pas entortillé et ne touche aucune arête vive ni surface pouvant devenir brûlante en cours d'utilisation.
7. Contrôler l'étanchéité de tous les raccords avant d'allumer le grill. Voir la section "Contrôle d'étanchéité" de cette notice.

⚠ DANGER

CONTRÔLE D'ÉTANCHÉITÉ:

Pour éviter les risques d'incendie ou d'explosion:

- **NE PAS** fumer ni permettre la présence de sources d'inflammation dans la zone de l'appareil pendant un contrôle d'étanchéité.
- Effectuer le contrôle uniquement **À L'EXTÉRIEUR** dans un endroit bien aéré.
- Ne jamais effectuer un contrôle d'étanchéité à l'aide d'une allumette ou d'une flamme nue.
- Ne jamais effectuer un contrôle d'étanchéité alors que le gril est en marche ou encore chaud.

⚠ AVERTISSEMENT

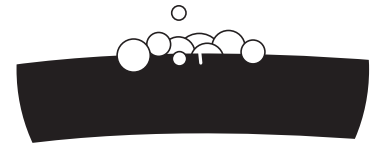
QUAND EFFECTUER UN CONTRÔLE D'ÉTANCHÉITÉ:

- Après l'assemblage du gril et avant de l'allumer pour la première fois, même s'il a été acheté entièrement assemblé.
- Lors de chaque remplissage de la bouteille ou en cas de remplacement de l'un quelconque des éléments du système d'alimentation en gaz.
- Chaque fois que le gril est déplacé.
- Au moins une fois par an ou en cas d'inutilisation du gril pendant plus de 60 jours.

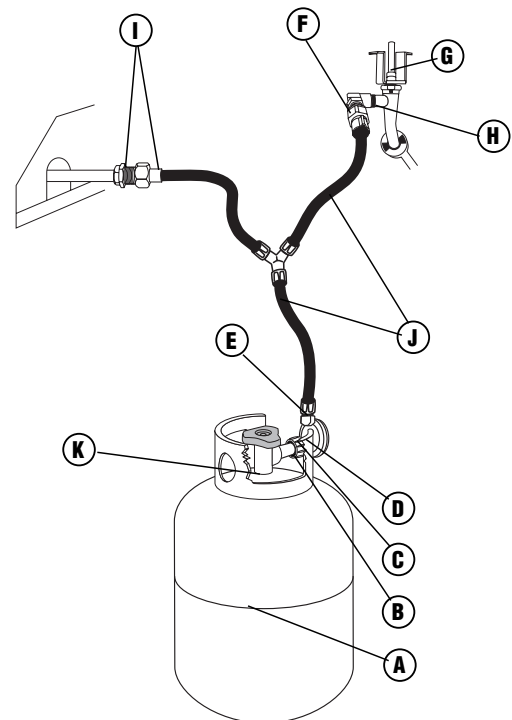
CONTRÔLE D'ÉTANCHÉITÉ:

1. Préparer un mélange à parts égales d'eau et de liquide lave-vaisselle.
2. Ouvrir le couvercle.
3. S'assurer que toutes les manettes sont en position "OFF" (arrêt).
4. Ouvrir le robinet de la bouteille. Tourner sa manette d'un tour dans le sens antihoraire.
5. Appliquer de l'eau savonneuse aux endroits suivants:

Surveiller l'Apparition de Bulles



- Ⓐ Soudure de la bouteille.
- Ⓑ Écrou de raccord au robinet de la bouteille.
- Ⓒ Arrière de l'écrou de raccord au manchon en laiton
- Ⓓ Raccordement du manchon en laiton au détendeur.
- Ⓔ Raccordement du détendeur aux tuyaux d'arrivée de gaz.
- Ⓕ Raccordement du tuyau d'arrivée de gaz au robinet de brûleur latéral.
- Ⓖ Capuchon de la tige du robinet de brûleur latéral.
- Ⓗ Raccordement du brûleur latéral au tuyau.
- Ⓘ Raccord du tuyau à la tubulure de gaz.
- Ⓙ Tuyau d'arrivée de gaz sur toute sa longueur.
- Ⓚ Robinet de la bouteille.



6. Vérifier chacun des endroits énumérés (A-K) pour surveiller l'apparition de bulles indiquant une fuite.
7. Couper l'arrivée de gaz en fermant le robinet de la bouteille.
8. Tourner les manettes en position de marche pour dissiper la pression dans le tuyau.
9. Tourner les manettes en position "OFF" (arrêt).
10. Serrer tout raccord qui fuit.
11. Répéter le contrôle à l'eau savonneuse jusqu'à ce qu'aucune fuite ne soit détectée.
12. Couper l'arrivée de gaz en fermant le robinet de la bouteille jusqu'à ce que l'on soit prêt à faire fonctionner le gril.
13. Laver à l'eau froide pour enlever les résidus savonneux et essuyer avec un chiffon.
14. Attendre 5 minutes pour permettre au gaz de se dissiper avant d'allumer le gril.

⚠ ATTENTION! NE PAS faire fonctionner le gril s'il s'avère impossible d'arrêter des fuites. Prendre contact avec un service qualifié de réparation d'appareils à gaz.

REMARQUE: Le contrôle d'étanchéité doit être effectué dans un endroit suffisamment éclairé pour qu'il soit possible d'observer l'apparition de bulles. NE PAS se servir d'une lampe de poche pour surveiller l'apparition de bulles.

⚠ AVERTISSEMENT

LISTE DES VÉRIFICATIONS PRÉCÉDANT LA MISE EN SERVICE:

Les dégâts de propriété, le mal corporel, les brûlures graves, et la mort peuvent résulter de l'échec de suivre ces étapes de sûreté. Ces étapes devraient être exécutées après que le gril est assemblé et avant chaque utilisation. N'utilisez pas ce gril jusqu'à ce que vous ayez lu et compris tous les avertissements et instructions dans ce manuel d'utilisation.

LISTE DES VÉRIFICATIONS PRÉCÉDANT LA MISE EN SERVICE:

- S'assurer que le gril est assemblé correctement.
- Examiner le tuyau d'arrivée de gaz pour voir s'il est brûlé, usé par frottement, déformé et acheminé correctement avant chaque utilisation. S'il est évident qu'il présente des signes d'usure excessive ou qu'il est coupé, il doit être remplacé avant toute remise en service du gril. Le remplacer par un ensemble tuyau/détendeur modèle n° 155-4400-0 qu'il est possible de se procurer en s'adressant au service clientèle au 800-527-0717.
- Contrôler l'étanchéité de tous les branchements et du tuyau de gaz. Voir la section "Contrôle d'étanchéité".
- S'assurer que tous les cordons d'alimentation électrique sont correctement mis à la terre. Maintenir tout cordon d'alimentation électrique et le tuyau d'arrivée de gaz à l'écart de toute surface chauffée. Le tuyau doit se trouver à au moins 7,5 centimètres (3 po) des surfaces brûlantes.
- Positionner le gril sur un sol horizontal dans un endroit bien aéré, à bonne distance des matières combustibles, des bâtiments et des surplombs.
- Placer correctement la lèchefrite vide sous l'orifice d'écoulement de graisse au bas du gril pour recueillir la graisse pendant l'utilisation.
- NE PAS gêner la circulation d'air de combustion et de ventilation.

⚠ AVERTISSEMENT

Lire, veiller à bien comprendre et respecter tous les avertissements et instructions contenus dans cette notice. Ne sauter AUCUN de ceux qui figurent dans les sections précédentes de cette notice.

⚠ AVERTISSEMENT

INSTRUCTIONS D'ALLUMAGE:

Suivre les instructions à la lettre.

1. **OUVRIRE LE COUVERCLE DU GRIL** avant d'essayer d'allumer un brûleur de façon à ce que des vapeurs ne s'accumulent pas à l'intérieur du gril. Une explosion risque de se produire si le couvercle du gril est abaissé.
2. Vérifier que les manettes de tous les brûleurs sont en position "OFF" (arrêt) et que le robinet de la bouteille est fermé.
3. Ouvrir l'arrivée de gaz en tournant la manette du robinet de la bouteille à fond dans le sens antihoraire.
4. **NE PAS se tenir avec la tête, le corps ou les bras au-dessus du gril lors de l'allumage.**

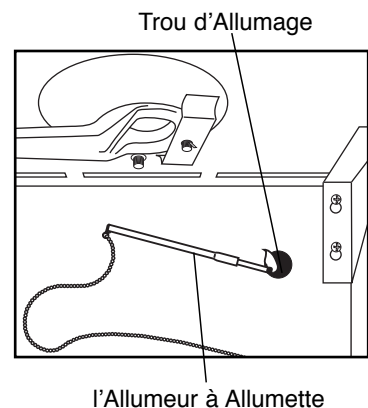
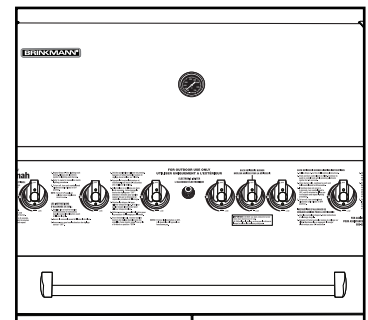
ALLUMAGE DES BRÛLEURS PRINCIPAUX:

1. Ouvrir le couvercle avant d'allumer un brûleur.
2. S'assurer que toutes les manettes sont en position "OFF" (arrêt).
3. Choisir le brûleur à allumer. Appuyer sur sa manette et le tourner en position "HIGH" (maximum).
4. Appuyer sur l'allumeur électronique pendant 3 à 5 secondes pour allumer le brûleur.
5. Si l'allumage ne se produit PAS en 5 secondes, tourner la manette sur "OFF" (arrêt), attendre 5 minutes pour permettre au gaz de se dissiper et répéter les opérations d'allumage.
6. Répéter les opérations 3-5 pour allumer chaque brûleur. Toujours utiliser l'allumeur électronique pour allumer chaque brûleur. S'il s'avère impossible d'allumer un brûleur au moyen du bouton-poussoir d'allumage, attendre 5 minutes et voir la section "Allumage des brûleurs principaux à l'aide d'une allumette".
7. Pour éteindre, tourner chaque manette dans le sens horaire jusqu'à ce qu'elle se bloque en position "OFF" (arrêt). Cela ne coupe pas la circulation de gaz depuis la bouteille.

REMARQUE: si un brûleur ne s'allume pas ou si sa flamme est trop faible, cela peut être dû à une obstruction causée par des araignées ou d'autres insectes, ou à une activation du limiteur de débit. Voir la rubrique "Assemblage / entretien des brûleurs" de la section "Entretien approprié" ou la rubrique "Réinitialisation du détendeur" de la section "Raccordement de la bouteille de propane liquéfié et de l'ensemble tuyau / détendeur au gril".

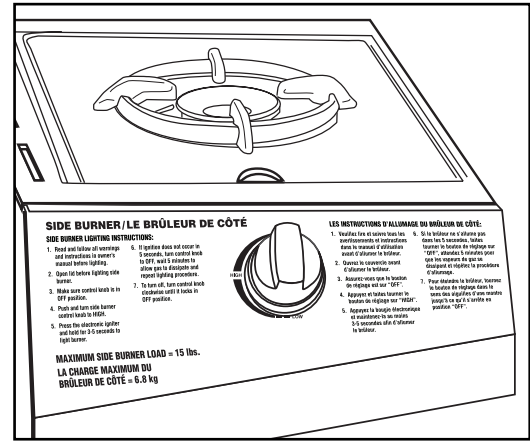
ALLUMAGE DES BRÛLEURS PRINCIPAUX À L'AIDE D'UNE ALLUMETTE:

1. Ouvrir le couvercle avant l'allumage.
2. Tourner les manettes des brûleurs sur "OFF" (arrêt).
3. Placer une allumette à l'extrémité de l'allumeur à allumette. Gratter l'allumette et l'introduire dans le trou d'allumage sur le côté droit du gril en l'approchant de 1 à 2 cm (1/2 po) environ du brûleur.
4. Tourner la manette de brûleur LA PLUS À DROITE en position "HIGH" (maximum). Le brûleur doit s'allumer en 5 secondes.
5. Si le brûleur ne s'allume pas, tourner la manette sur "OFF" (arrêt) et attendre 5 minutes pour permettre au gaz de se dissiper, puis répéter les opérations d'allumage.
6. Une fois l'allumage obtenu, allumer les brûleurs voisins l'un après l'autre en appuyant sur leur manette et en la tournant en position "HIGH" (maximum).
7. Si le brûleur ne s'allume pas à la suite des premières tentatives d'allumage au moyen d'une allumette, il y a un problème d'arrivée de gaz. Couper celle-ci au niveau du brûleur et de la bouteille. **NE PAS** essayer de faire fonctionner le gril tant que le problème n'est pas identifié et corrigé. Voir la section "Dépannage" de cette notice.supply.



ALLUMAGE DU BRÛLEUR LATÉRAL:

1. Ouvrir le couvercle avant d'allumer un brûleur.
2. S'assurer que toutes les manettes sont en position "OFF" (arrêt).
3. Choisir le brûleur à allumer. Appuyer sur sa manette et le tourner en position "HIGH" (maximum).
4. Appuyer sur l'allumeur électronique pendant 3 à 5 secondes pour allumer le brûleur.
5. Si l'allumage ne se produit PAS en 5 secondes, tourner la manette sur "OFF" (arrêt), attendre 5 minutes pour permettre au gaz de se dissiper et répéter les opérations d'allumage.
6. Répéter les opérations 3-5 pour allumer chaque brûleur.
Toujours utiliser l'allumeur électronique pour allumer chaque brûleur. S'il s'avère impossible d'allumer un brûleur au moyen du bouton-poussoir d'allumage, attendre 5 minutes et voir la section "Allumage des brûleurs principaux à l'aide d'une allumette".
7. Pour éteindre, tourner chaque manette dans le sens horaire jusqu'à ce qu'elle se bloque en position "OFF" (arrêt). Cela ne coupe pas la circulation de gaz depuis la bouteille.



REMARQUE: Si le brûleur ne s'allume pas ou si sa flamme est trop faible, cela peut être dû à une obstruction causée par des araignées ou d'autres insectes, ou à une activation du limiteur de débit. Voir la rubrique "Assemblage / entretien des brûleurs" de la section "Entretien approprié" ou la rubrique "Réinitialisation du détendeur" de la section "Raccordement de la bouteille de propane liquéfié et de l'ensemble tuyau / détendeur au gril".

ALLUMAGE DU BRÛLEUR LATÉRAL À L'AIDE D'UNE ALLUMETTE:

1. Ouvrir le couvercle du brûleur latéral avant d'allumer celui-ci.
2. Tourner la manette du brûleur en position "OFF" (arrêt).
3. Gratter une allumette et la placer avec précaution à 1 - 2 cm (1/2 po) environ du brûleur.
4. Tourner la manette du brûleur latéral en position "HIGH" (maximum). Le brûleur doit s'allumer en 5 secondes.
5. Si le brûleur ne s'allume pas, tourner sa manette sur "OFF" (arrêt) et attendre 5 minutes pour permettre au gaz de se dissiper, puis répéter les opérations d'allumage.
6. Si le brûleur ne s'allume pas à la suite des premières tentatives d'allumage au moyen d'une allumette, il y a un problème d'arrivée de gaz. Couper celle-ci au niveau du brûleur et de la bouteille. NE PAS essayer de faire fonctionner le gril tant que le problème n'est pas identifié et corrigé. Voir la section "Dépannage" de cette notice.



REMARQUE: Observer la hauteur de la flamme une fois le brûleur allumé. Elle doit être de couleur bleue / jaune et haute de 2,5 à 5 cm (1 à 2 po) lorsque le brûleur est sur "HIGH" (maximum).

EXTINCTION DU GRIL:

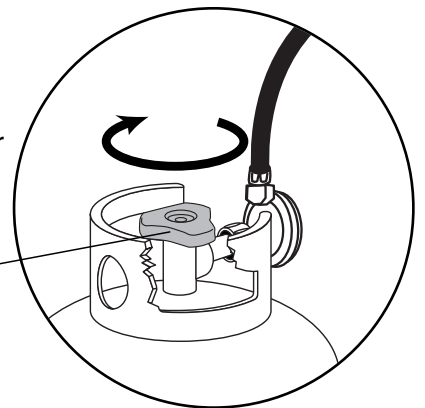
1. Fermer le robinet de la bouteille.
2. Tourner les manettes de tous les brûleurs en position "OFF" (arrêt).

REMARQUE: Fermer d'abord le robinet de la bouteille de propane liquéfié pour empêcher que du gaz soit laissé sous pression dans le système.

⚠ ATTENTION!

- Le robinet de la bouteille doit être en position d'arrêt, ou de fermeture, lorsque le gril n'est pas en service.

Pour fermer le robinet, tourner sa manette à fond dans le sens horaire.



⚠ AVERTISSEMENT

FONCTIONNEMENT DU GRIL:

Ne jamais utiliser de charbon de bois ni de liquide d'allumage dans le gril à gaz. Lire et respecter tous les avertissements et instructions figurant dans les sections précédentes de cette notice.

RODAGE DU GRIL:

- Lors de la fabrication et du traitement de protection des pièces de ce gril, il se peut que des résidus huileux soient présents sur le brûleur et sur les surfaces de cuisson du gril.
- Avant de cuisiner pour la première fois sur le gril, le préchauffer pendant 15 minutes sur "HIGH" (maximum) pour brûler ces résidus huileux.

PRÉCHAUFFAGE DU GRIL:

- Avant de se servir du gril, il est recommandé de le préchauffer. Cela garantit que ses surfaces de cuisson sont aux températures désirées pour saisir les aliments lors de leur cuisson. Après avoir allumé le gril, régler les manettes des brûleurs principaux à la position "HIGH" (maximum) pendant 10 à 15 minutes. Fermer le couvercle pendant la période de préchauffage.

CONTRÔLE DES FLAMBÉES SOUDAINES:

- Les flambées soudaines font partie de la cuisson des viandes sur un gril à gaz. Cela ajoute une saveur unique aux aliments cuits sur un gril à gaz. Des flambées soudaines trop fortes risquent de causer une cuisson excessive des aliments, ainsi qu'une situation dangereuse pour l'utilisateur et le gril. Les flambées soudaines trop fortes résultent de l'accumulation de graisse au fond du gril. Si cela se produit, NE PAS verser d'eau sur les flammes. Cela peut provoquer des projections de graisse et risque d'entraîner des brûlures ou blessures graves. Si de la graisse d'enflamme, fermer le couvercle et éteindre les brûleurs principaux jusqu'à ce que la graisse se soit consommée. Faire preuve de prudence lors de l'ouverture du couvercle car des flambées soudaines risquent alors de se produire.

⚠ AVERTISSEMENT

- **NE PAS laisser le gril sans surveillance lorsqu'il est en marche.**
- **NE PAS déplacer le gril lorsqu'il est en marche. Bloquer ses roues en place pour le stabiliser.**
- **NE PAS utiliser d'eau pour éteindre les flambées soudaines.**
- **Disposer d'un extincteur adapté aux appareils à gaz à portée de la main.**

POUR MINIMISER LES FLAMBÉES SOUDAINES:

- Enlever l'excès de graisse des viandes avant de les faire cuire.
- Faire cuire les viandes grasses (poulet ou porc) avec les brûleurs en position minimum ou par cuisson indirecte.
- S'assurer que le gril est sur un sol horizontal et que la graisse peut s'écouler du gril par l'orifice d'écoulement inférieur jusque dans la lèchefrite.

CUISSON INDIRECTE:

- La cuisson indirecte est le procédé de cuisson des aliments consistant à ne pas les placer juste au-dessus de la source de chaleur. Il est possible de saisir les viandes sur une forte flamme d'un côté du gril tout en faisant cuire lentement un rôti sur l'autre côté (éteint) du gril.

CUISSON AU TOURNE-BROCHE:

- Des trous de montage pour tourne-broche (vendu séparément) ont été percés à l'usine dans le gril à gaz. Ne pas utiliser un tourne-broche qui n'est pas conçu spécialement pour ce gril.
- Lire et suivre toutes les instructions accompagnant le tourne-broche. Les conserver pour référence.
- Ne pas allumer le brûleur latéral en cas d'utilisation d'un tourne-broche.

⚠ AVERTISSEMENT

- Lorsqu'un tourne-broche à courant alternatif est utilisé, il doit être mis à la terre conformément à la réglementation locale applicable ou, en l'absence d'une telle réglementation:
- Aux États-Unis, à l'édition la plus récente du Code électrique national – ANSI-NFPA n° 70
- Au Canada, au Code électrique canadien – ACNOR C22.1
- Le tourne-broche est équipé d'une fiche 2 pôles + terre pour protéger contre les chocs électriques. Cette fiche doit être branchée directement dans une prise 2 pôles + terre correctement mise à la terre. Ne jamais couper ni retirer la broche de mise à la terre. Tout cordon prolongateur doit également comporter une prise 2 pôles + terre.
- Tous les cordons d'alimentation électriques doivent être maintenus à l'écart de l'eau et de toute surface chaude du gril.

UTILISATION DES AUTRES DISPOSITIFS DU GRIL:

BRÛLEUR LATÉRAL:

- Le brûleur latéral peut servir à préparer des plats d'accompagnement tels que haricots, pommes de terre et maïs, ou pour réchauffer des sauces.
- Le brûleur peut être réglé du maximum au minimum en fonction des besoins de cuisson.

⚠ AVERTISSEMENT

- Lire les instructions d'allumage du gril pour allumer le brûleur latéral.
- Ne jamais fermer le couvercle du brûleur latéral lorsque celui-ci est allumé.
- Utiliser une marmite de 25 cm (10 po) de diamètre maximum SANS poignée allongée pour cuire sur le brûleur latéral. Centrer la marmite sur le brûleur.
- Ne jamais placer plus de 6,8 kg (15 lbs) sur le brûleur latéral. Celui-ci n'est pas conçu pour supporter un poids plus élevé.
- Faire attention de ne pas se cogner contre le gril, le brûleur latéral ou la marmite pour éviter de renverser le contenu de celle-ci, ce qui pourrait entraîner des brûlures graves.
- **NE PAS** utiliser le brûleur pour faire frire des aliments afin d'éviter les risques associés à une inflammation de l'huile qui peut créer une situation très dangereuse.

CONSEILS DE CUISSON SUR LE GRIL

PROPRETÉ

- Toujours bien se laver les mains avec de l'eau et du savon avant de manipuler des aliments et après avoir manipulé de la viande crue, ainsi que de la volaille non cuite ou des fruits de mers.
- Lorsqu'on se sert d'un plat pour transporter de la viande crue, de la volaille non cuite ou des fruits de mer jusqu'au gril, veiller à le laver soigneusement à l'eau savonneuse chaude avant de placer des aliments cuits dessus ou utiliser des plats différents pour les aliments crus et cuits.
- Ne jamais utiliser les mêmes ustensiles pour manipuler de la viande crue, de la volaille non cuite ou des fruits de mer sans les laver soigneusement à l'eau savonneuse chaude.
- Ne jamais réutiliser une marinade ayant servi pour de la viande crue ou de la volaille non cuite sur des aliments cuits et prêts à servir.

CUISSON À LA TEMPÉRATURE CORRECTE

- Utiliser un thermomètre à viande pour s'assurer que les aliments ont atteint une température interne éliminant tout danger. Il est possible de commander un thermomètre de qualité professionnelle auprès de Brinkmann. Pour plus de détails sur ce produit et d'autres accessoires Brinkmann, voir les pages consacrées aux accessoires à la fin de cette notice.
- Le ministère américain de l'agriculture recommande les températures **minima** ci-dessous pour les aliments suivants:

Côtelettes63 °C (145 °F)

Viande hachée71 °C (160 °F)

Porc71 °C (160 °F)

Volaille82 °C (180 °F)

Rôtis63 °C (145 °F)

Fruits de mer60 °C (140 °F)

Légumes63 °C (145 °F)

CONSEILS UTILES

- Si on précuit de la viande ou de la volaille, le faire immédiatement avant de griller.
- Ne jamais décongeler de la viande à la température ambiante ni sur un plan de travail.
- Réfrigérer les restes dans les 2 heures qui suivent leur retrait du gril.
- Pour d'autres renseignements, appeler la ligne directe consacrée à la viande et à la volaille du ministère américain de l'agriculture sans frais au 800-535-4555.

ENTRETIEN APPROPRIÉ

- Pour protéger le gril d'une rouille excessive, veiller à ce qu'il reste toujours propre et couvert lorsqu'il n'est pas en service. Il est possible de commander une housse directement auprès de Brinkmann en appelant le 800-468-5252 ou le 800-527-0717.
- Laver les grilles de cuisson et les plaques de rayonnement de chaleur à l'eau savonneuse chaude, bien les rincer et les sécher. Huiler légèrement la grille de cuisson avec de l'huile végétale en bouteille ou en pulvérisateur.
- Nettoyer l'intérieur et l'extérieur du gril en les essuyant avec un chiffon humide. Huiler légèrement la surface intérieure avec de l'huile végétale en bouteille ou en pulvérisateur pour l'empêcher de rouiller.
- Si de la rouille apparaît sur la surface extérieure du gril, nettoyer et frotter la zone affectée avec de la paille de fer ou de la toile émeri à grain fin. Retoucher avec de la peinture de bonne qualité résistant aux hautes températures.
- Ne jamais peindre la surface intérieure. Frotter aux points de rouille de la surface intérieure, nettoyer puis huiler légèrement avec de l'huile végétale en bouteille ou en pulvérisateur pour minimiser la rouille.

NETTOYAGE ET ENTRETIEN

- Maintenir l'appareil à l'écart des matières combustibles, de l'essence et des autres vapeurs et liquides inflammables.
- Maintenir les orifices de ventilation de l'enveloppe de la bouteille de propane liquéfié libres de débris.
- Contrôler visuellement les flammes des brûleurs pour s'assurer qu'elles sont normales (voir l'illustration à la rubrique "Assemblage / entretien des brûleurs" de la section "Entretien approprié"). Des araignées ou d'autres insectes peuvent nicher dans un brûleur, gênant la circulation du gaz.
- Pour griller sans danger et maximiser le rendement du grill, effectuer ces contrôles au moins deux fois par an ou après des périodes prolongées de remisage.
- Veiller à resserrer la visserie (écrous, boulons, vis, etc.) au moins deux fois par an.

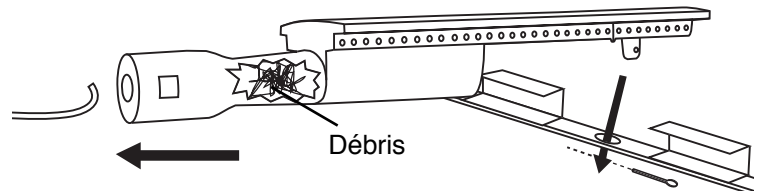
⚠ ATTENTION! Certaines pièces peuvent avoir des arêtes vives. Porter des gants protecteurs si nécessaire.

- Retirer les grilles de cuisson, les plaques de rayonnement de chaleur et les brûleurs de l'intérieur du grill. Enlever l'excédent de résidus avec une brosse, de l'eau chaude et du détergent. **NE JAMAIS** utiliser de nettoyant pour four du commerce. Rincer soigneusement à l'eau. Sécher avec un chiffon et remettre toutes les pièces en place comme indiqué dans les instructions d'assemblage.

ASSEMBLAGE / ENTRETIEN DES BRÛLEURS

- Bien que les brûleurs soient en fonte, ils risquent de rouiller par suite de la chaleur très élevée et des acides produits par la cuisson des aliments. Les examiner régulièrement pour voir s'ils sont fêlés, ont des trous anormaux ou présentent d'autres signes de corrosion. Si c'est le cas, remplacer le brûleur affecté.
- **NE PAS gêner la circulation d'air de combustion et de ventilation.** Les tubes des brûleurs peuvent devenir obstrués par des araignées et d'autres insectes qui y bâtissent leur nid. Des tubes de brûleurs obstrués peuvent empêcher le gaz de circuler jusqu'aux brûleurs, ce qui pourrait déclencher un feu dans le tube ou sous le grill. Procéder comme suit pour nettoyer et/ou remplacer des pièces de brûleurs ou s'il est difficile d'allumer le grill.

1. Couper l'arrivée de gaz en tournant les manettes en position d'arrêt et en fermant le robinet de la bouteille de propane liquéfié.
2. Retirer les grilles de cuisson et les plaques de rayonnement de chaleur.
3. Retirer les goupilles fendues du dessous de la base de chaque brûleur à l'aide d'un tournevis ou d'une pince à bec de canard.
4. Soulever chaque brûleur avec précaution et l'écartier de l'orifice de la vanne correspondante.
5. Enfiler et retirer plusieurs fois un goupillon étroit ou un morceau de fil de fer rigide recourbé pour former un petit crochet dans chaque tube de brûleur et orifice de flamme.

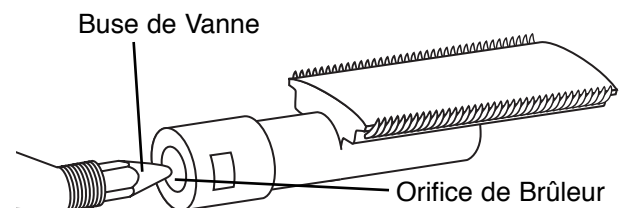


REMARQUE: porter des lunettes de protection pour effectuer l'opération 6.

6. Insuffler dans le tube de brûleur de l'air comprimé qui sortira par les orifices de flammes. Vérifier chaque orifice pour s'assurer que de l'air s'en échappe.
7. Frotter l'ensemble de la surface extérieure du brûleur avec une brosse métallique pour enlever les résidus d'aliments et la crasse.
8. Vérifier le brûleur pour voir s'il est endommagé ; le remplacer si des gros trous ou fêlures apparaissent.

IMPORTANT: L'orifice du brûleur doit glisser par-dessus la buse de la vanne.

9. Remettre les brûleurs en place avec précaution.
10. Remettre la goupille fendue en place sous chaque brûleur et suivre les instructions de la section "Contrôle d'étanchéité" de cette notice. Réallumer les brûleurs pour vérifier qu'ils fonctionnent correctement.
11. Remettre les plaques de rayonnement de chaleur et les grilles de cuisson en place.



FUNCTIONNEMENT CORRECT D'UN BRÛLEUR

GRILLES DE CUISSON

- Les nettoyer avec un détergent doux et de l'eau. Il est possible d'utiliser une brosse en laiton ou un tampon à récurer en Nylon pour enlever les résidus des surfaces en acier inoxydable. Ne pas utiliser une brosse en acier pour nettoyer les grilles de cuisson en acier inoxydable. L'acier peut provoquer des éclats ou des fêlures. NE PAS utiliser de nettoyant pour four du commerce.

PLAQUES DE RAYONNEMENT DE CHALEUR

- Il peut s'avérer périodiquement nécessaire d'examiner et de nettoyer les plaques de rayonnement de chaleur pour empêcher une accumulation excessive de graisse. Lorsque le gril est froid, retirer les grilles de cuisson. Examiner les plaques de rayonnement de chaleur et les remplacer si elles sont cassées ou endommagées. Ne pas laisser ces plaques s'endommager au point de risquer de tomber sur les brûleurs. Remettre les plaques de rayonnement de chaleur et les grilles de cuisson en place et allumer les brûleurs. Faire fonctionner le gril sur "HIGH" (maximum) pendant 10 minutes pour éliminer l'excès de graisse.

⚠ AVERTISSEMENT

TRANSPORT ET REMISAGE:

- **Ne jamais déplacer un gril alors qu'il est chaud ou que des objets se trouvent sur les surfaces de cuisson.**
- **S'assurer que le robinet de la bouteille est fermé. Après avoir déplacé le gril, vérifier que tous les branchements de gaz sont étanches. Voir les instructions de contrôle d'étanchéité.**
- **NE PAS entreposer une bouteille de propane liquéfié de réserve (pleine ou vide) sous le gril ou à côté.**
- **Ne jamais entreposer de liquides inflammables ni des pulvérisateurs sous le gril ou à côté.**
- **NE PAS éteindre les feux de graisse avec de l'eau.**
- **Si le gril à gaz de plein air n'est pas en service, l'arrivée de gaz doit être coupée en fermant le robinet de la bouteille.**
- **Le remisage à l'intérieur d'un appareil de cuisson au gaz de plein air n'est autorisé que si la bouteille est débranchée et déposée de l'appareil.**
- **Les bouteilles doivent être entreposées à l'extérieur hors de la portée des enfants, non dans un bâtiment, un garage ou un autre local fermé.**
- **Lors du retrait de remisage du gril, il se peut que des toiles d'araignée ou d'autres débris obstruent les brûleurs. Voir la rubrique "Assemblage / entretien des brûleurs" de la section "Entretien approprié".**

AVANT DE REMISER LE GRIL:

- S'assurer que le robinet de la bouteille est bien fermé.
- Nettoyer toutes les surfaces.
- Huiler légèrement les brûleurs pour empêcher une rouille excessive.
- En cas de remisage du gril à l'intérieur, débrancher la bouteille de propane liquéfié et la laisser DEHORS.
- Protéger la bouteille de propane liquéfié et l'entreposer dehors, dans un endroit bien aéré à l'abri des rayons du soleil.
- Nettoyer les brûleurs avant de les faire fonctionner à l'issue du remisage, au début de la saison de cuisine en plein air ou après une période d'inutilisation d'un mois. Les araignées et d'autres insectes aiment bâtir leur nid dans les tubes de brûleurs (en particulier pendant les mois les plus froids). Ces nids peuvent causer des feux dans les tubes de brûleurs et sous le gril.
- En cas de remisage du gril à l'extérieur, le recouvrir d'une housse pour le protéger des intempéries. Il est possible d'en commander une directement auprès de Brinkmann en appelant le 800-468-5252 ou le 800-527-0717.

DÉPANNAGE

Problème:	Causes Possibles:
<ul style="list-style-type: none"> • Un brûleur ne s'allume pas 	<ol style="list-style-type: none"> 1. Vérifier le niveau de propane liquéfié dans la bouteille 2. Étincelle d'électrode défectueuse. Vérifier pour voir s'il est possible d'allumer le gril à l'aide d'une allumette. Il peut être nécessaire de régler l'électrode ou la tubulure. 3. Le brûleur n'est peut-être pas bien en place. 4. Le brûleur est peut-être obstrué. 5. Le robinet de la bouteille est peut-être fermé. 6. Le détendeur n'est pas bien en place sur le robinet de la bouteille
<ul style="list-style-type: none"> • Feu au niveau d'une manette 	<ol style="list-style-type: none"> 1. Les trous du brûleur sont peut-être obstrués. Voir la rubrique "Assemblage / entretien des brûleurs" de la section "Entretien approprié". 2. Le brûleur n'est pas bien en place sur la vanne. 3. Les raccords de gaz sont peut-être desserrés. Contrôler l'étanchéité et serrer tous les raccords.
<ul style="list-style-type: none"> • Flammes jaunes au niveau d'un brûleur 	<ol style="list-style-type: none"> 1. Le brûleur est obstrué. Voir la rubrique "Assemblage / entretien des brûleurs" de la section "Entretien approprié".
<ul style="list-style-type: none"> • Extinction de flamme sur "LOW" (minimum) 	<ol style="list-style-type: none"> 1. Les trous du brûleur sont peut-être obstrués. Voir la rubrique "Assemblage / entretien des brûleurs" de la section "Entretien approprié". 2. Le gril n'est pas préchauffé suffisamment. 3. Le brûleur n'est pas bien en place sur la vanne.
<ul style="list-style-type: none"> • Un brûleur ne chauffe pas suffisamment 	<ol style="list-style-type: none"> 1. Le limiteur de débit a été activé dans le détendeur. Voir la rubrique "Réinitialisation du détendeur" de la section "Raccordement de la bouteille de propane liquéfié et de l'ensemble tuyau / détendeur au gril".
<ul style="list-style-type: none"> • Le gril est trop chaud 	<ol style="list-style-type: none"> 1. Accumulation excessive de graisse causant des feux de graisse. 2. Détendeur endommagé ou défectueux. Le remplacer par un modèle agréé par l'usine. 3. Cuire à une température inférieure.

QUESTIONS POSÉES FRÉQUEMMENT

Le numéro de série et celui de modèle du gril, ainsi que les informations permettant de contacter le service clientèle de Brinkmann, figurent sur la plaque signalétique argentée qui se trouve sur l'arrière du gril ou sur le côté de l'habillage de celui-ci, sous la tablette latérale.

Ces questions et réponses sont d'ordre général et peuvent ne pas s'appliquer à ce modèle de gril.

Question: pourquoi mon gril ne s'allume-t-il pas correctement ?

Réponse: toujours suivre les instructions d'allumage figurant sur le panneau de commande ou dans cette notice. Vérifier également l'existence possible des causes suivantes:

- Vérifier l'arrivée de propane liquéfié.
- Vérifier que tous les branchements de gaz sont bien serrés.
- Il se peut que la pile AA de l'allumeur doive être remplacée.
- Les fils d'allumage sont peut-être mal branchés. Retirer la pile, examiner le boîtier de raccordement de l'allumeur, qui se trouve derrière le panneau de commande, et rebrancher tout fil mal branché.
- Il se peut que les pointes d'électrodes d'allumage doivent être repositionnées. Après avoir coupé l'arrivée de gaz et tourné les manettes en position "OFF" (arrêt), appuyer sur le bouton d'allumeur et demander à une autre personne d'observer les pointes d'électrodes pour voir si une étincelle y est produite. La pointe d'électrode doit être écartée de 5mm (3/16 po) environ du récepteur d'étincelle. Si la pointe d'électrode doit être réglée, la recourber pour obtenir l'écartement approprié.
- Vérifier que l'extrémité de chaque venturi de brûleur se trouve dans la position correcte par-dessus son raccord d'orifice de vanne de gaz.
- Le tuyau de gaz est peut-être obstrué. Pour résoudre ce problème, débrancher l'ensemble tuyau / détendeur de propane liquide ou le tuyau de gaz naturel du gril. Ouvrir l'arrivée de gaz pendant une seconde pour voir s'il y a obstruction. S'il n'y a pas d'obstruction, raccorder le tuyau de combustible. Si le tuyau est bouché, le remplacer par un ensemble tuyau / détendeur neuf.
- Si une obstruction est soupçonnée dans l'ensemble tuyau / détendeur, un orifice ou des vannes de gaz, appeler le service clientèle de Brinkmann au 800-527-0717.

Question: pourquoi mon gril à propane liquéfié a-t-il une flamme faible ou de couleur orange / jaune ?

Réponse: il est nécessaire de purger le tuyau de gaz de l'air qui s'y trouve ou de réinitialiser le limiteur de débit du détendeur. L'ouverture du robinet de la bouteille à fond ou trop rapidement déclenche l'interruption de la circulation de gaz par le limiteur de débit, ce qui empêche le gril de recevoir un débit de gaz excessif.

REMARQUE: effectuer cette opération lors de chaque raccordement d'une bouteille neuve de propane liquéfié au gril.

RÉINITIALISATION DU LIMITEUR DE DÉBIT DU DÉTENDEUR

- Tourner la manette en position "OFF" (arrêt).
- Couper l'arrivée de propane liquéfié en fermant le robinet de la bouteille.
- Débrancher le détendeur de la bouteille de propane liquéfié.
- Laisser la bouteille débranchée pendant deux minutes.
- Rebrancher le détendeur à la bouteille de propane liquéfié.
- Ouvrir le couvercle du gril ou celui du brûleur latéral. Ouvrir lentement d'un quart ou de moitié le robinet de la bouteille.
- Allumer le gril en suivant les instructions figurant sur le panneau de commande ou dans cette notice d'utilisation.

Question: comment et quand nettoyer les éléments intérieurs de cuisson de mon gril ?

Réponse: utiliser une brosse en crin ou en laiton pour nettoyer l'intérieur du gril, les grilles de cuisson, les plaques de rayonnement de chaleur et la lèchefrite. Ne jamais utiliser une brosse ni un grattoir métalliques sur les pièces émaillées pour éviter de les rayer ou de les ébrécher et de faciliter ainsi la rouille.

QUESTIONS POSÉES FRÉQUEMMENT

Nettoyage des grilles de cuisson en acier inoxydable: laver les grilles avec un détergent doux et les rincer à l'eau chaude avant de les utiliser pour la première fois et selon le besoin. NE PAS utiliser un nettoyant pour four du commerce. Pour enlever les résidus coriaces d'aliments, utiliser un dégraissant et une brosse en crin ou en laiton.

Nettoyage des grilles de cuisson en fonte émaillée: laver les grilles avec un détergent doux et les rincer à l'eau chaude avant de les utiliser pour la première fois et selon le besoin. Pour enlever les résidus coriaces d'aliments, utiliser un dégraissant et une brosse en crin ou en laiton. Les sécher immédiatement avec un chiffon doux ou du papier essuie-tout.

Nettoyage des plaques de rayonnement de chaleur: nettoyer les plaques de rayonnement de chaleur chaque fois que des aliments ou de la graisse coulent pour réduire les risques de flambées soudaines. Laver les plaques avec un détergent doux et les rincer à l'eau chaude. Pour enlever les résidus coriaces d'aliments, utiliser un dégraissant et une brosse en crin ou en laiton. Ne pas utiliser une brosse ni un grattoir métalliques sur les plaques de rayonnement de chaleur émaillées pour éviter de les rayer ou de les ébrécher et de faciliter ainsi la rouille.

Nettoyage de la lèchefrite et/ou de la boîte à graisse: examiner la lèchefrite et/ou la boîte à graisse (certains modèles) avant chaque utilisation du gril pour réduire le risque d'incendie. Enlever la graisse (une spatule en plastique est bien adaptée à cette tâche) et laver toutes les pièces avec un mélange de savon ou de dégraissant doux et d'eau chaude.

Question: qu'est-ce qui fait rouiller les pièces du gril et quel effet cela a-t-il sur les matériaux dont celui-ci est fabriqué ?

Réponse: la formation de rouille est un processus d'oxydation naturel qui peut affecter les pièces en fonte et en acier. La rouille n'affectera pas à court terme le rendement du gril. Les pièces en acier inoxydable de celui-ci ne rouilleront pas. Toutefois, un couvercle en acier inoxydable peut prendre la couleur du bronze sous l'action des intempéries ou d'une très forte chaleur. Il s'agit alors d'une décoloration et non de rouille et cela n'est pas considéré comme un défaut de fabrication.

Question: qu'est-ce qui cause la décoloration du couvercle de mon gril et comment le nettoyer ?

Réponse: la fumée, les intempéries et une forte chaleur peuvent faire prendre la couleur du bronze au couvercle en acier inoxydable d'un gril. Ce phénomène ne doit pas être confondu avec la formation de rouille et ne constitue pas un défaut de fabrication. Les huiles pour machines utilisées au cours du processus de production de l'acier inoxydable tout comme les huiles de cuisson et un encrassement du couvercle du gril peuvent également contribuer à la décoloration si le couvercle n'est pas nettoyé avant l'utilisation du gril. Une fois le gril assemblé, enlever la pellicule protectrice de PVC du couvercle du gril, puis utiliser un nettoyant pour acier inoxydable et un chiffon doux pour enlever les résidus d'adhésif et d'huiles de l'intérieur et de l'extérieur du couvercle. Ne jamais utiliser de nettoyants ou tampons à récurer abrasifs. En plus du nettoyage initial, un nettoyage régulier du couvercle pour le décrasser, le dégraisser et le déshuiler contribuera à décourager sa décoloration.

Question: puis-je convertir mon gril du propane au gaz naturel ?

Réponse: La plupart des grils sont fabriqués conformant aux spécifications exactes et sont certifiées pour l'usage seulement de propane ou de gaz naturel. Cependant, quelques modèles peuvent être convertis sûrement avec les trousse de rechange fournies pour des modèles particuliers. Afin de trouver si votre gril peut être converti, contacter Brinkmann Service à la Clientèle au 800-527-0717.

Question: pourquoi l'ensemble tuyau / détendeur fourni avec mon gril ne s'adapte-t-il pas aux anciennes bouteilles de propane liquéfié que j'ai utilisées pendant de nombreuses années ?

Réponse: le gouvernement américain réglemente les appareils à gaz et les bouteilles de propane liquéfié. Lorsque la réglementation a été modifiée, les raccords de gaz des bouteilles de propane liquéfié ont été modernisés pour être conformes aux nouvelles spécifications. Si la bouteille de propane liquéfié ne s'adapte pas à l'ensemble tuyau / détendeur fourni avec le gril, elle est obsolète et doit être remplacée. REMARQUE: à compter du 1er avril 2002, toutes les bouteilles de propane liquéfié commercialisées doivent être équipées d'un dispositif de protection contre le remplissage excessif. Ce dispositif interne empêche le remplissage excessif de la bouteille de propane liquéfié. Les bouteilles qui ne sont pas pourvues d'un tel dispositif ne peuvent être remplies.

Question: j'entend parfois un ronflement en provenance de mon détendeur. Dois-je m'inquiéter ?

Réponse: le ronflement est produit par le gaz traversant le détendeur. Un faible bruit est normal et n'a aucune influence sur le fonctionnement du gril. Si le ronflement est bruyant et excessif, il est nécessaire de purger le tuyau de gaz de l'air qu'il contient ou de réinitialiser le limiteur de débit du détendeur en procédant comme indiqué à la rubrique "Réinitialisation du détendeur" de la section "Raccordement de la bouteille de propane liquéfié et de l'ensemble tuyau / détendeur au gril". Effectuer cette opération chaque fois qu'une bouteille neuve de propane liquéfié est raccordée au gril. Voir la notice d'utilisation ou appeler le service clientèle de Brinkmann au 800-527-0717.

CONTENU DU SAC DE PIÈCES

S'assurer qu'il ne manque aucun des articles mentionnés aux rubriques **LISTE DES PIÈCES** et **CONTENU DU SAC DE PIÈCES** avant de procéder à l'assemblage.

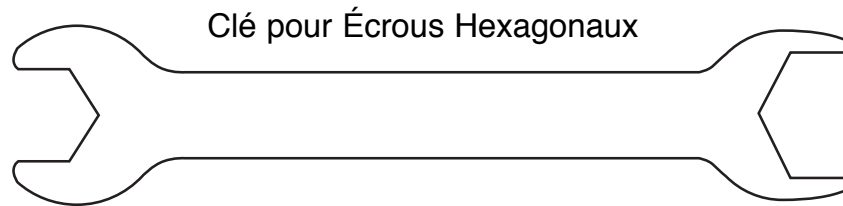
CONTENU DU SAC DE PIÈCES:

Qté.

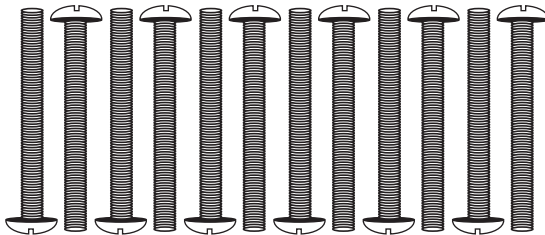
- 12 Boulons M6 x 50mm
- 22 Boulons M6 x 15mm
- 12 Boulons M4 x 10mm
- 4 Boulons M4 x 40mm

Qté.

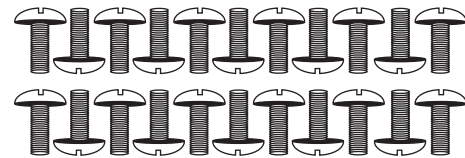
- 10 Rondelles en Éventail
- 1 Pile Alcaline AA / 1,5 V
- 1 Tournevis
- 1 Clé pour Écrous Hexagonaux



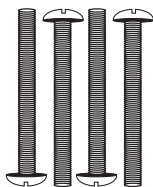
Boulons M6 x 50mm



Boulons M6 x 15mm



Boulons M4 x 40mm



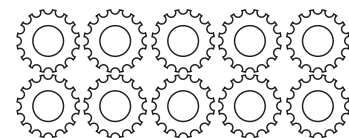
AA / 1,5 V Pile Alcaline



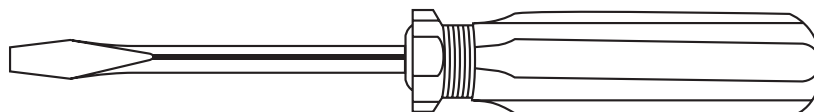
Boulons M4 x 10mm



Rondelles en Éventail



Tournevis



INSTRUCTIONS D'ASSEMBLAGE

▲ LIRE ATTENTIVEMENT TOUS LES AVERTISSEMENTS ET INSTRUCTIONS CONCERNANT LA SÉCURITÉ AVANT D'ASSEMBLER ET DE FAIRE FONCTIONNER LE GRIL.

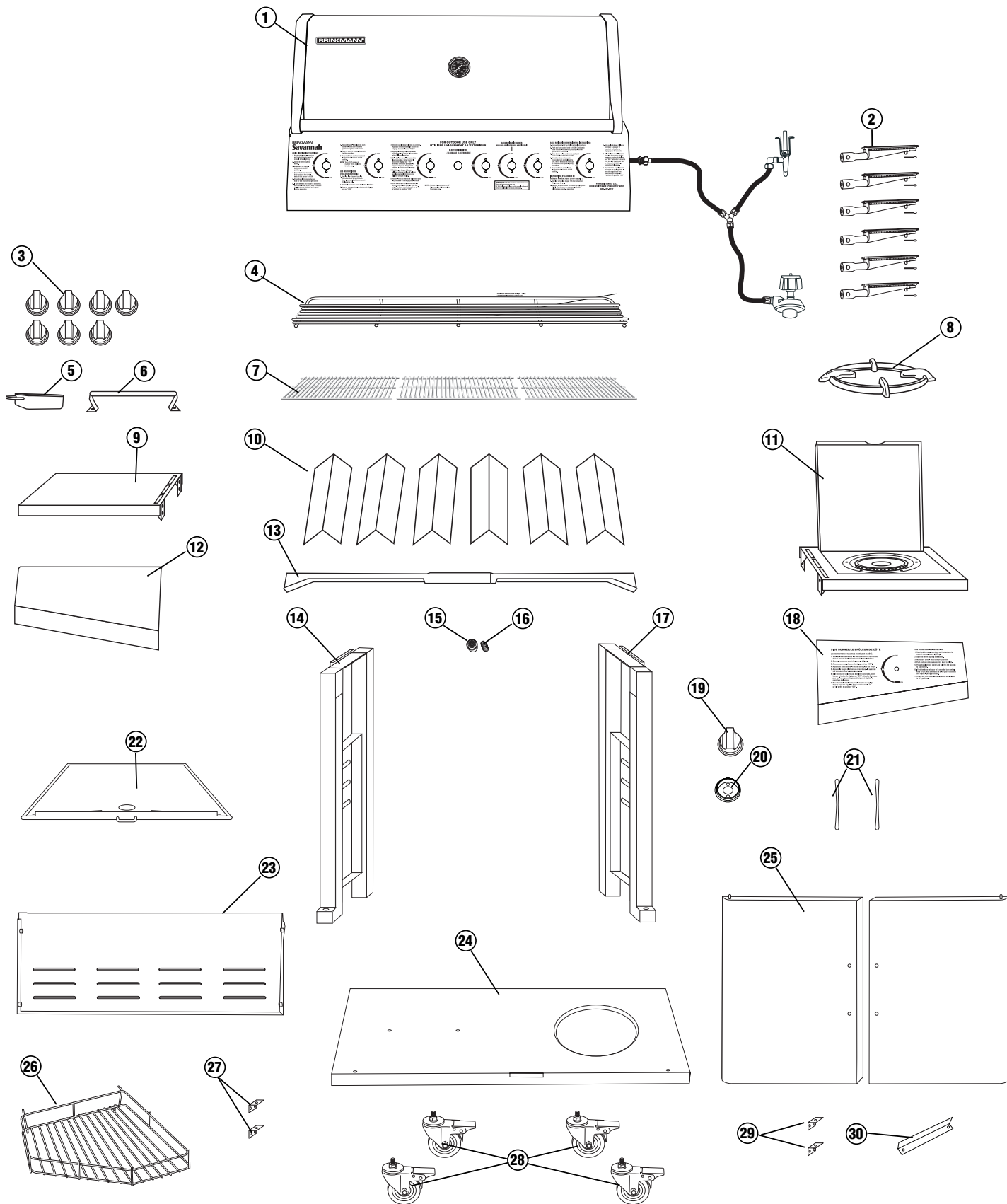
NOUS RECOMMANDONS QUE L'ASSEMBLAGE DE CET APPAREIL SOIT EFFECTUÉ PAR DEUX PERSONNES.

Les outils suivants fournis sont nécessaires pour assembler ce grill Brinkmann Savannah 6630:

- Tournevis plat (fourni)
- Clé pour écrous hexagonaux (fournie)

LISTE DES PIÈCES:

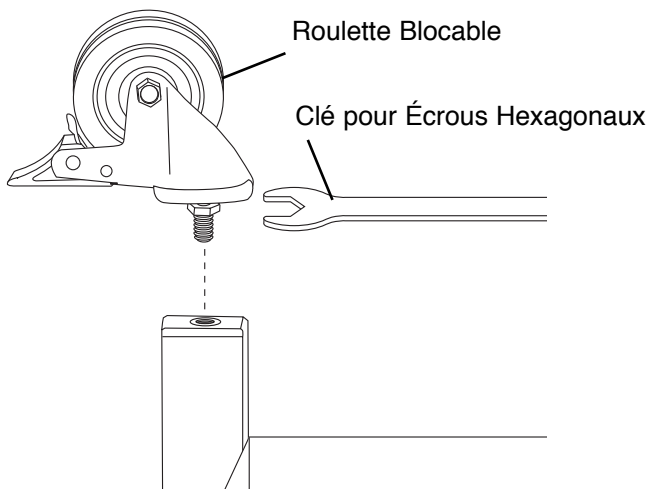
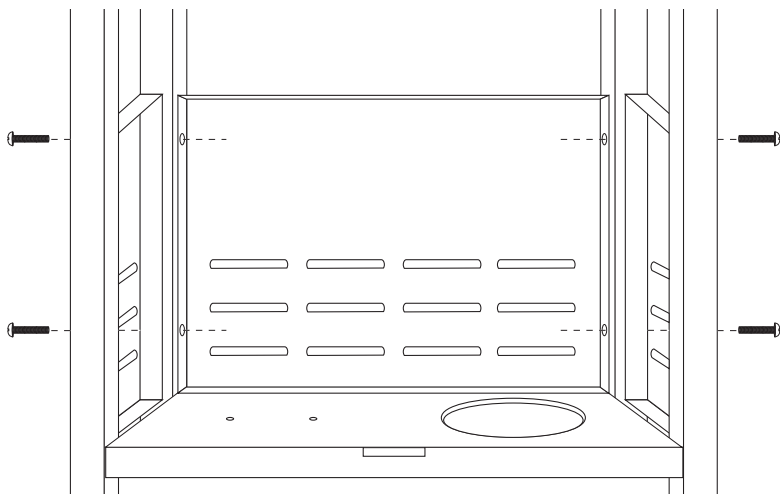
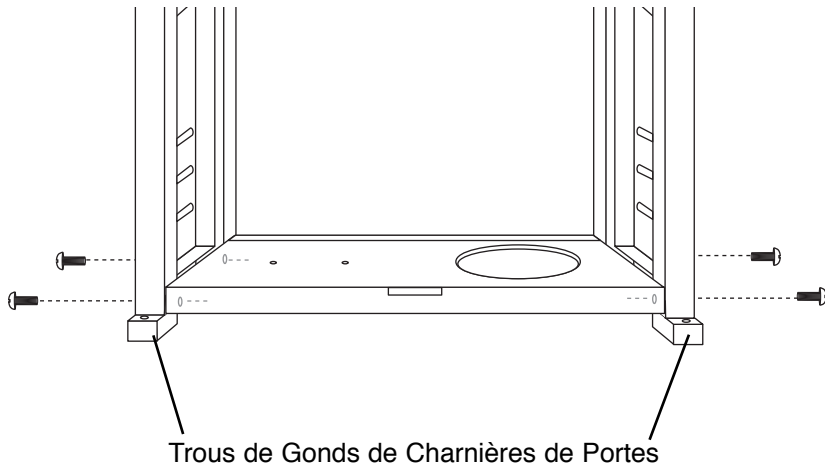
- | | | | | | |
|---|---|---------------------------|---|---|---|
| ① | 1 | Cuve | ⑩ | 6 | Plaques de rayonnement de chaleur |
| ② | 6 | Brûleurs | ⑪ | 1 | Brûleur latéral |
| ③ | 7 | Manettes | ⑫ | 1 | Panneau avant de tablette latérale gauche |
| ④ | 1 | Grille de réchauffage | ⑬ | 1 | Support de portes |
| ⑤ | 1 | Boîte à graisse | ⑭ | 1 | Panneau latéral gauche de chariot |
| ⑥ | 1 | Equerre boucle- bride | ⑮ | 1 | Bouton d'allumeur électronique |
| ⑦ | 3 | Grilles de cuisson | ⑯ | 1 | Ressort d'allumeur électronique |
| ⑧ | 1 | Grille de brûleur latéral | ⑰ | 1 | Panneau latéral droit de chariot |
| ⑨ | 1 | Tablette latérale gauche | ⑱ | 1 | Panneau avant de brûleur latéral |
| | | | ⑲ | 1 | Manette de brûleur latéral |
| | | | ⑳ | 1 | Collerette |
| | | | ㉑ | 2 | Poignées de portes |
| | | | ㉒ | 1 | Lèchefrite |
| | | | ㉓ | 1 | Panneau arrière |
| | | | ㉔ | 1 | Base du chariot |
| | | | ㉕ | 2 | Portes |
| | | | ㉖ | 1 | Panier |
| | | | ㉗ | 2 | Supports de panier |
| | | | ㉘ | 4 | Roulettes blocables |
| | | | ㉙ | 2 | Supports de portes |
| | | | ㉚ | 1 | Guide de panier |



EN CAS D'ABSENCE DE PIÈCES, APPELER LE SERVICE CLIENTÈLE AU 800-527-0717.

(Une preuve de l'achat sera demandée.)

Examiner le contenu du carton pour s'assurer qu'aucune pièce n'est manquante ni endommagée.



Choisir un endroit adapté et bien dégagé et demander l'aide d'un ami pour assembler le gril. Poser du carton sur le sol pour protéger le fini du gril et l'aire d'assemblage.

⚠ ATTENTION ! Certaines pièces peuvent avoir des arêtes vives. Porter des gants protecteurs si nécessaire.

Étape 1

Fixer la base du chariot aux panneaux latéraux. Enfoncer quatre boulons M6 x 50mm dans la base du chariot et dans les pieds, puis bien les serrer. S'assurer que les trous de gonds de charnières de portes sont tournés vers l'avant.

Étape 2

Fixer le panneau arrière aux pieds au moyen de quatre boulons M6 x 50mm.

REMARQUE: retourner le chariot avec l'aide d'un ami. Essayer de minimiser les contraintes exercées sur les pieds.

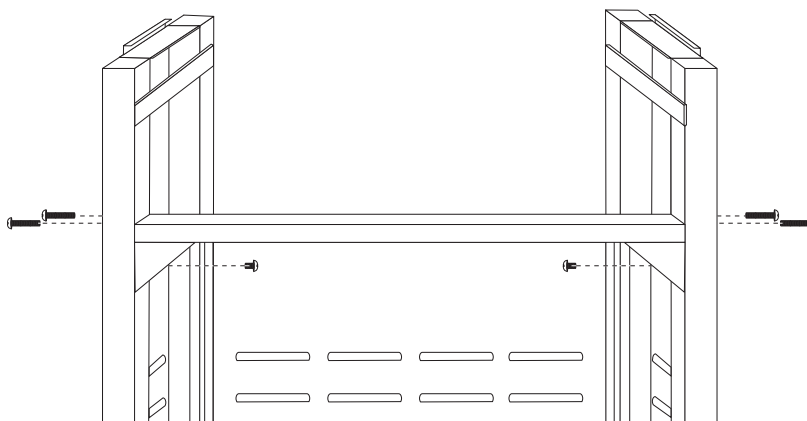
Étape 3

Fixer les roulettes blocables au bas des pieds. Bien serrer leurs boulons à l'aide de la clé pour écrous hexagonaux incluse dans le sac de pièces.

REMARQUE: redresser le chariot avec l'aide d'un ami.

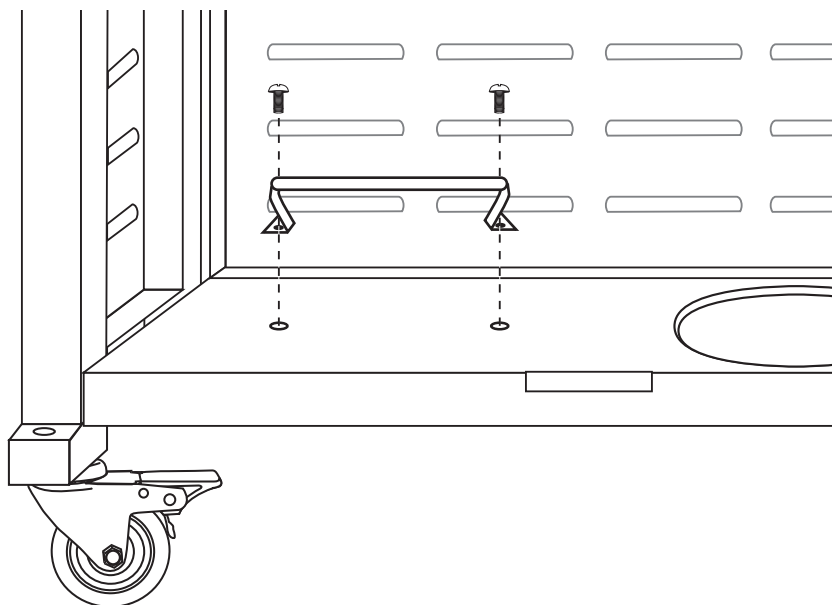
Étape 4

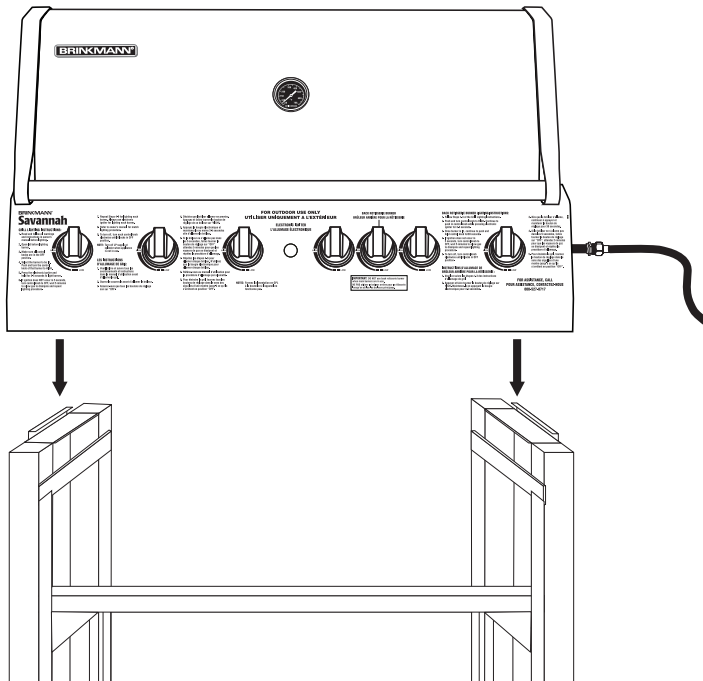
Monter le support de portes au moyen de quatre boulons M6 x 50mm. S'assurer que l'arrête-portes est tourné vers l'arrière du chariot.



Étape 5

Attacher l'équerre boucle- bride à la base de charrette utilisant deux M6 X 15mm boulons.





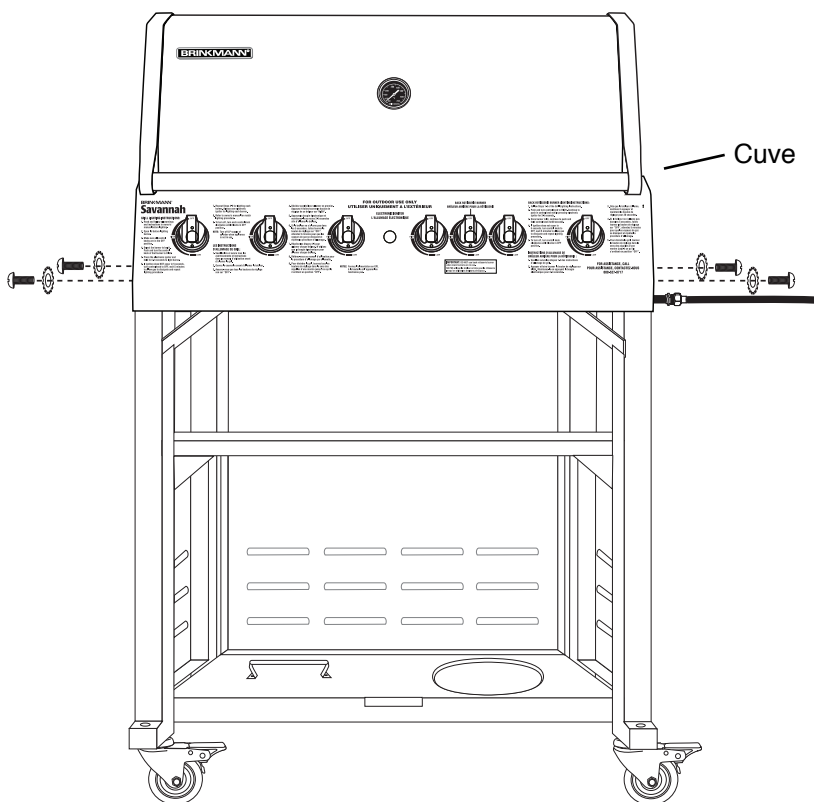
REMARQUE: lors de l'opération 6, soulever la cuve pour la séparer des panneaux avant et arrière afin d'éviter de se blesser les mains ou les doigts.

Étape 6

Avec l'aide d'un ami, placer la cuve sur le bâti du chariot. Elle reposera sur les barres latérales du bâti du chariot. Aligner les trous de boulons qui se trouvent sur l'extérieur de la cuve.

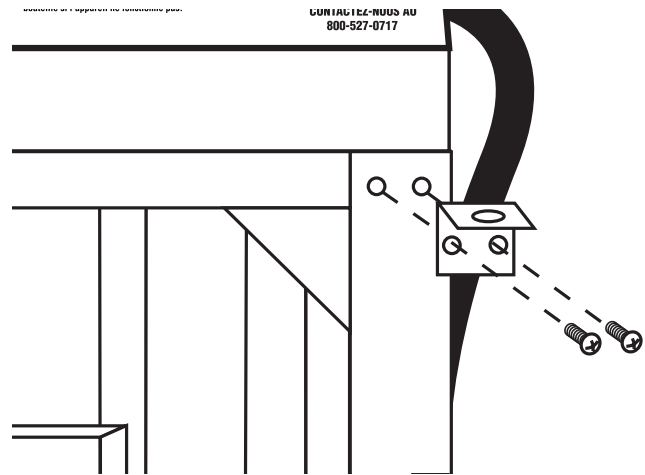
Étape 7

Fixer la cuve au moyen de quatre boulons M6 x 15mm et rondelles en éventail. A ce point, serrer fermement les quatre boulons en tenant en arrière le panneau de l'étape 2 et les six boulons tout en tenant en arrière l'hubrisserie de l'étape 4.



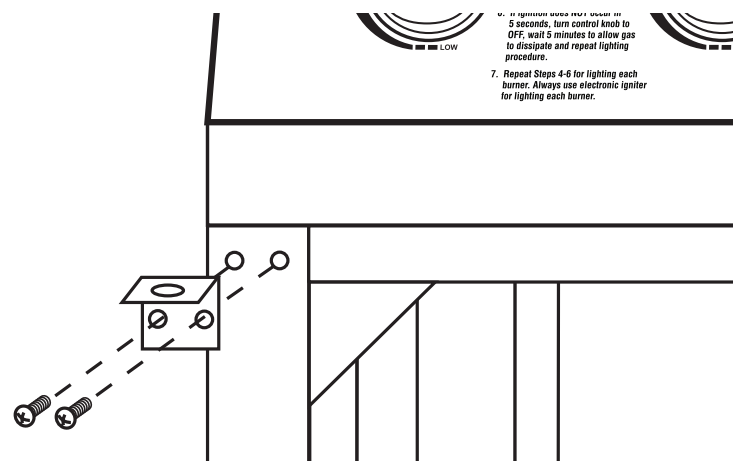
Étape 8

Fixer le support de porte droite au panneau avant droit du chariot au moyen de deux boulons M4 x 10mm. Un "R" est gravé dans ce support.



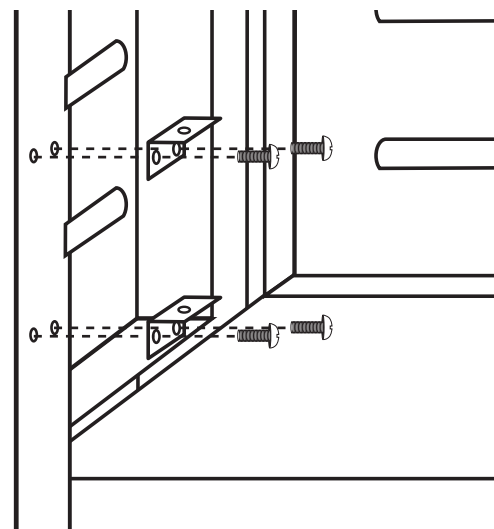
Étape 9

Fixer le support de porte gauche au panneau avant gauche du chariot au moyen de deux boulons M4 x 10mm. Un "L" est gravé dans ce support.



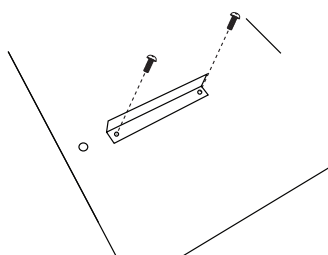
Étape 10

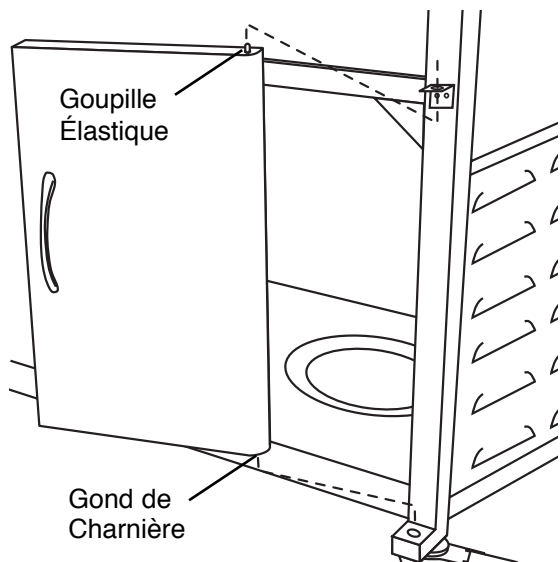
Fixer les deux supports de panier à l'intérieur du pied avant gauche au moyen de quatre boulons M4 x 10mm.



Étape 11

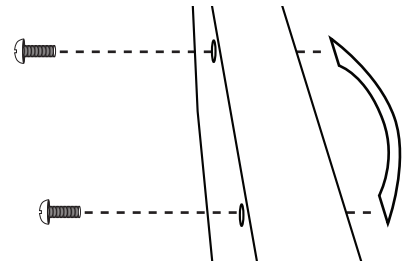
Fixer le guide de panier sur le panneau intérieur de porte gauche au moyen de deux boulons M4 x 10mm.





Étape 12

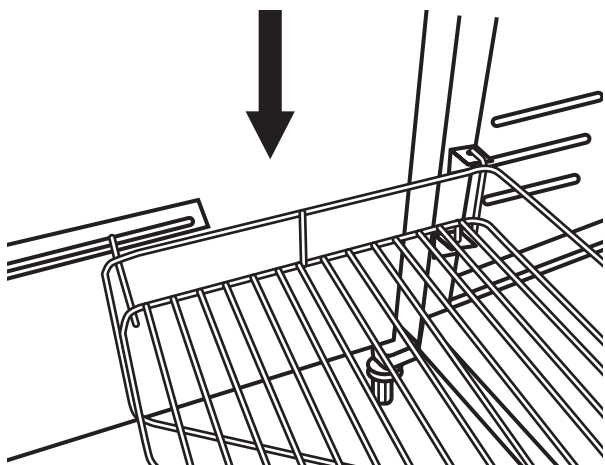
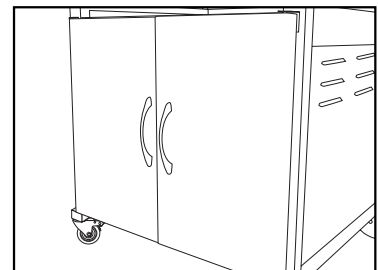
Fixer les poignées de portes au moyen de deux boulons M4 x 40mm.



Étape 13

Enfoncer le gond de charnière qui se trouve au bas de la porte droite dans le trou percé au bas du pied avant droit du chariot, puis aligner la porte et son support.

Appuyer sur la goupille élastique qui se trouve sur le bord supérieur de la porte et glisser cette dernière vers son support jusqu'à ce que la goupille se bloque dans le trou du support de porte. Répéter l'opération pour l'autre porte.

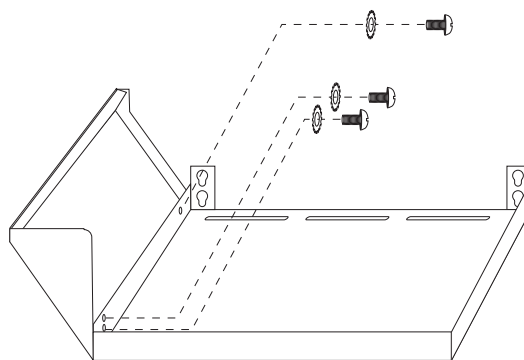


Étape 14

Placer le panier dans ses supports et dans son guide.

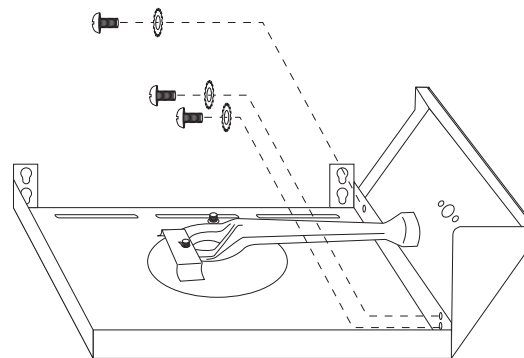
Étape 15

Fixer le panneau avant de tablette latérale au moyen de trois boulons M6 x 15mm et rondelles en éventail.



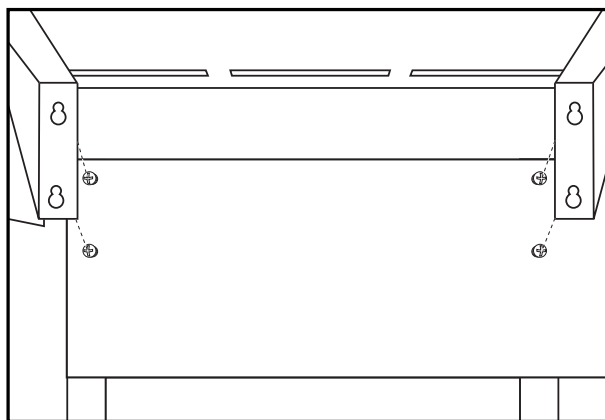
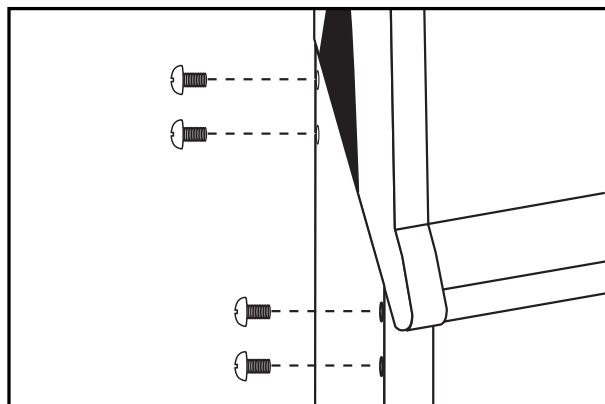
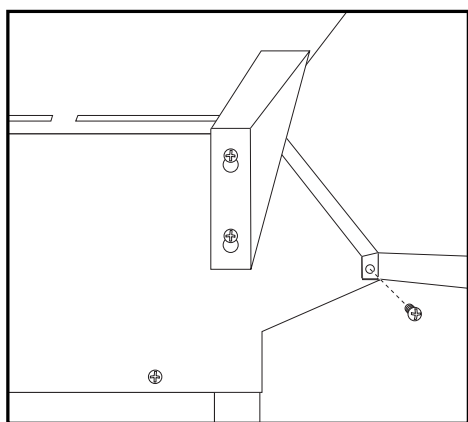
Étape 16

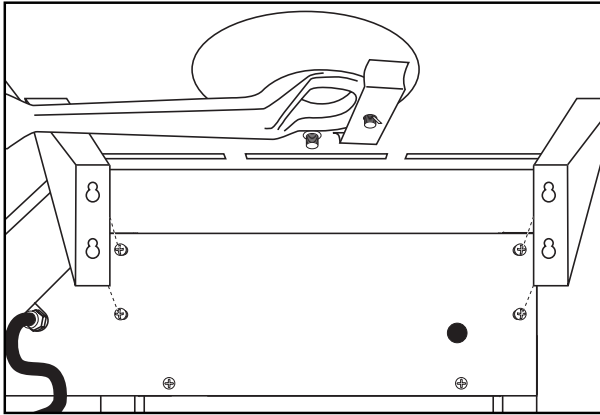
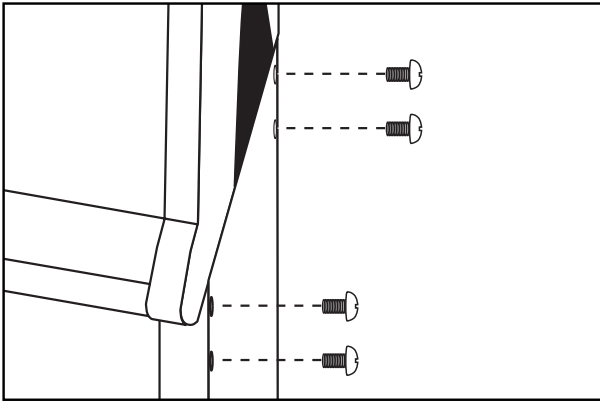
Fixer le panneau avant de brûleur latéral à ce dernier au moyen de trois boulons M6 x 15mm et rondelles en éventail.



Étape 17

Fixer la tablette latérale au côté gauche de la cuve. Enfoncer de moitié quatre boulons M6 x 15mm dans le panneau latéral gauche de la cuve. Placer les trous oblongs sur les boulons et faire glisser la tablette vers le bas, puis bien serrer les boulons. Fixer le panneau avant de la tablette latérale à la cuve au moyen d'un boulon M4 x 10mm.





Étape 18

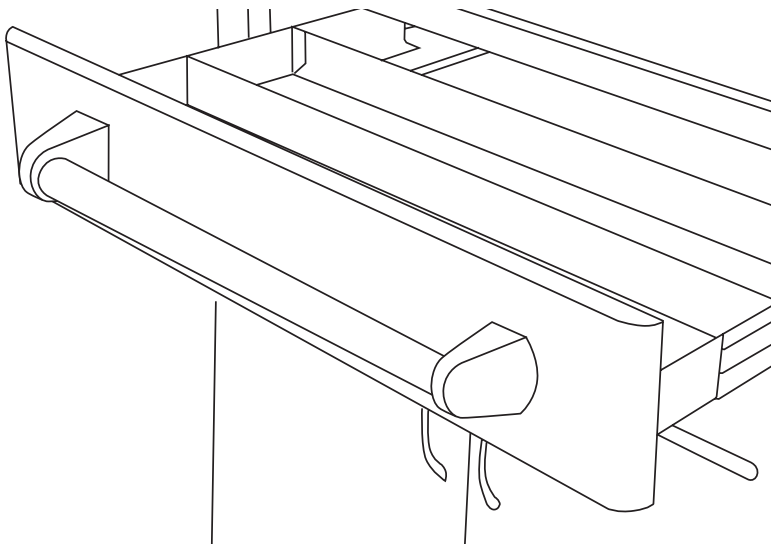
Fixer le brûleur latéral au côté droit du bâti de la cuve. Enfoncer de moitié quatre boulons M6 x 15mm à tête ronde dans le panneau latéral droit de la cuve. Placer les trous oblongs du brûleur latéral sur les boulons et faire glisser le brûleur vers le bas, puis bien serrer les boulons. Fixer le panneau avant du brûleur latéral à la cuve au moyen d'un boulon M4 x 10mm.

Étape 19

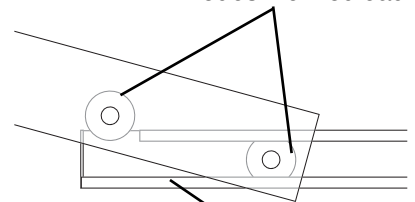
Introduire le tiroir à outils dans l'ouverture de devant sous le panneau de commande par mettre les roulettes dans les rainures latérales.

Avertissement : Ne pas entreposer des produits inflammables: des essuie-tout, des chiffons, des cache-pot, etc. dans le tiroir à outils.

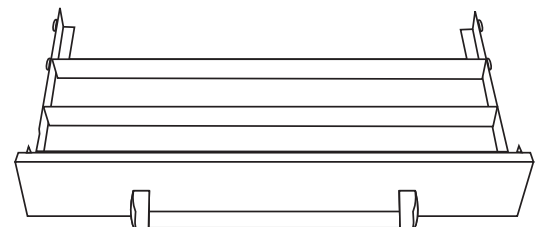
Tiroir à outils



Roues De Rouleau



La Manche Latérale



Étape 20

Retirer les deux boulons et rondelles de la vanne du brûleur latéral. Insérer la vanne dans le trou de la base de la tablette du brûleur latéral, puis mettre la buse de la vanne fermement en place dans le venturi du brûleur. Maintenir l'ensemble en place pendant l'étape 21.

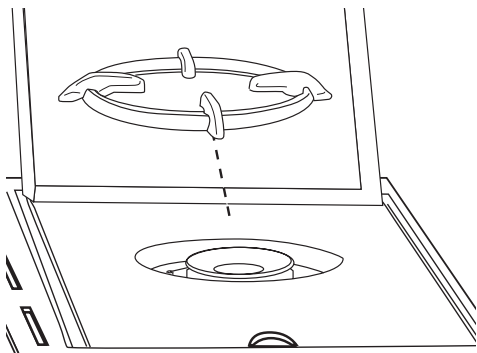
⚠ Avertissement: Ne jamais faire fonctionner le grill sans contrôler l'étanchéité de tous les branchements et tuyaux de gaz. Voir la section "Contrôle d'étanchéité" de cette notice pour la façon correcte de procéder.

Étape 21

Placer la collerette par-dessus la tige de montage de la manette et la positionner au-dessus des trous de la base du brûleur latéral et de la vanne de celui-ci. La fixer au moyen des deux boulons et rondelles élastiques fournis avec la vanne. Mettre ensuite la manette du brûleur latéral en place sur la tige de la vanne.

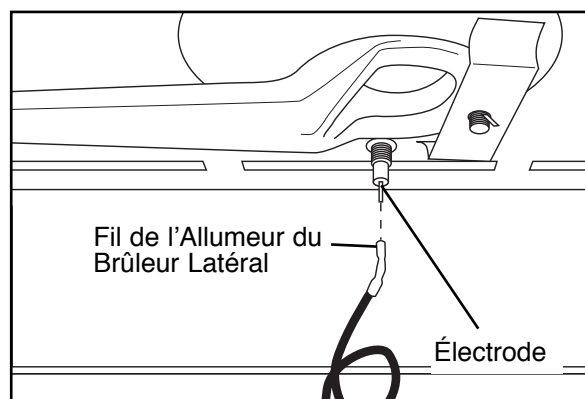
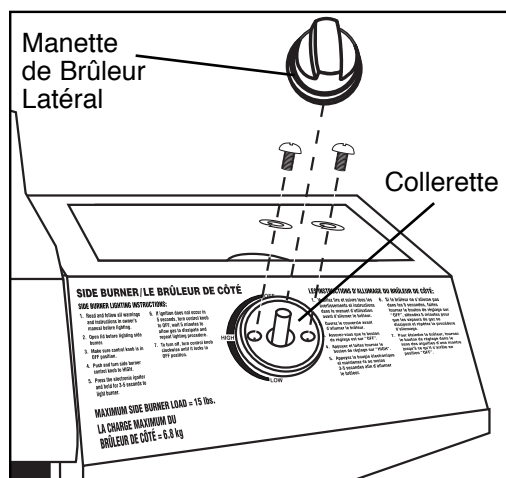
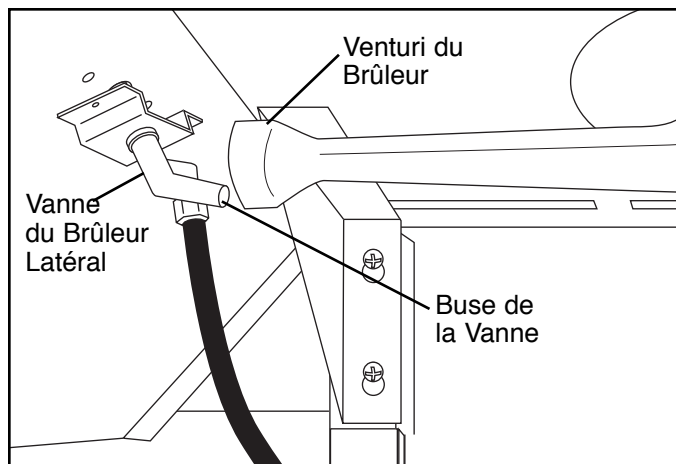
Étape 22

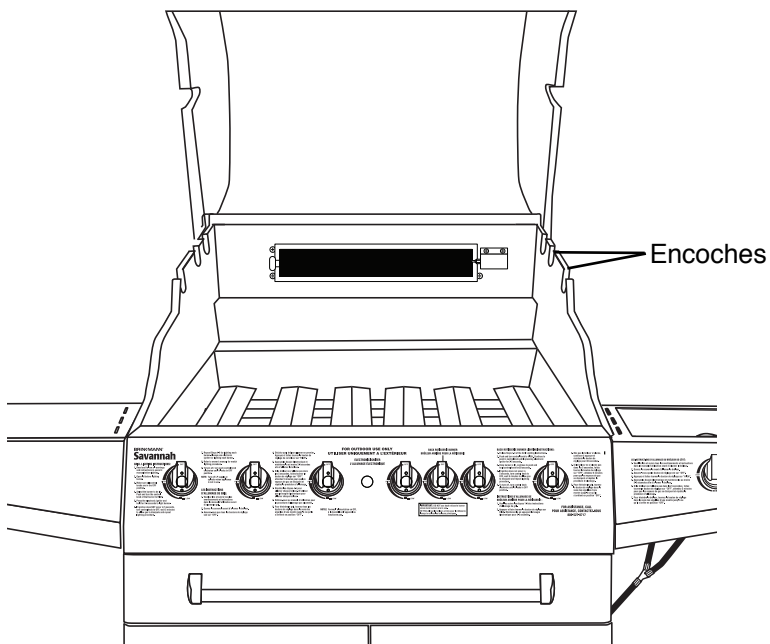
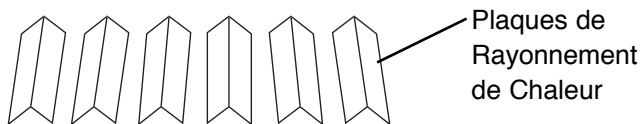
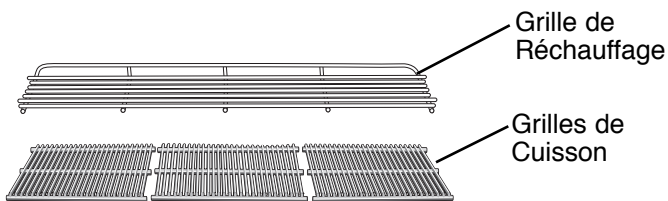
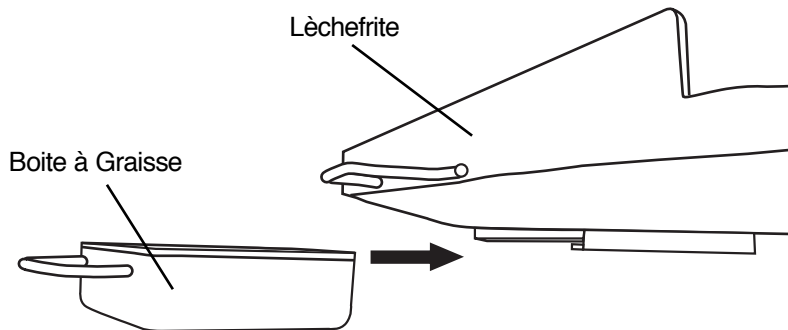
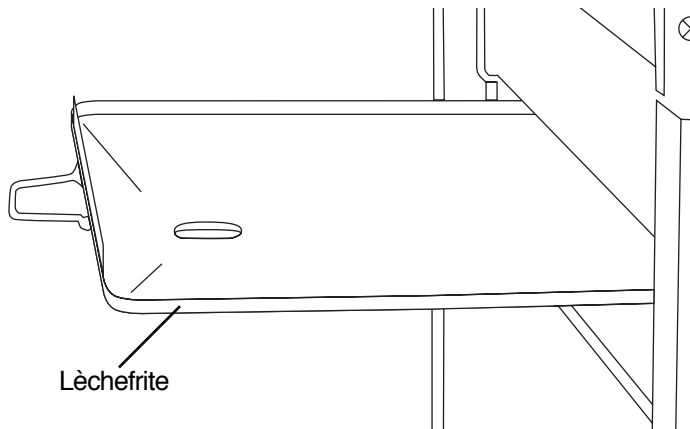
Placer la grille de brûleur latéral sur celui-ci.



Étape 23

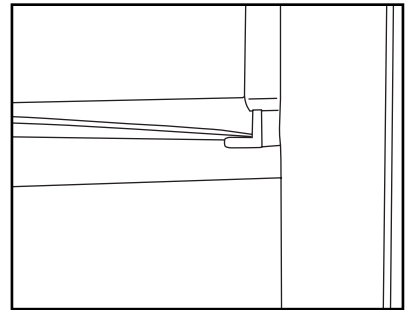
Raccorder le fil de l'allumeur du brûleur latéral à l'électrode comme indiqué sur l'illustration.





Étape 24

Insérer la lèche-frite dans l'ouverture au dos du grill. Veiller à la faire glisser sur les glissières comme indiqué sur l'illustration.



Étape 25

Glisser la boite à graisse dans le crochet qui se trouve sous la lèche-frite.

Étape 26

Placer les plaques de rayonnement de chaleur sur la partie inférieure de la cuve, juste au-dessus des brûleurs.

Étape 27

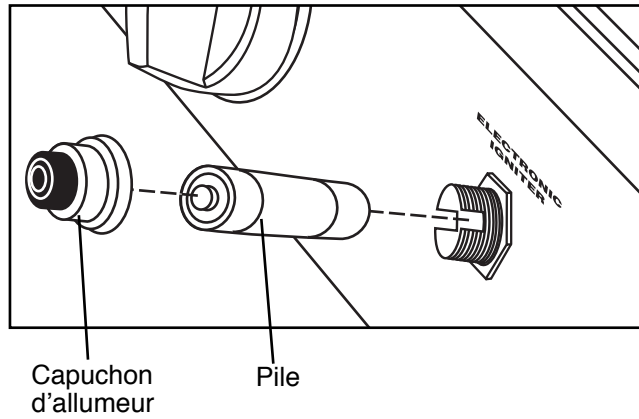
Placer les grilles de cuisson sur les nervures de support, juste au-dessus des plaques de rayonnement de chaleur.

Étape 28

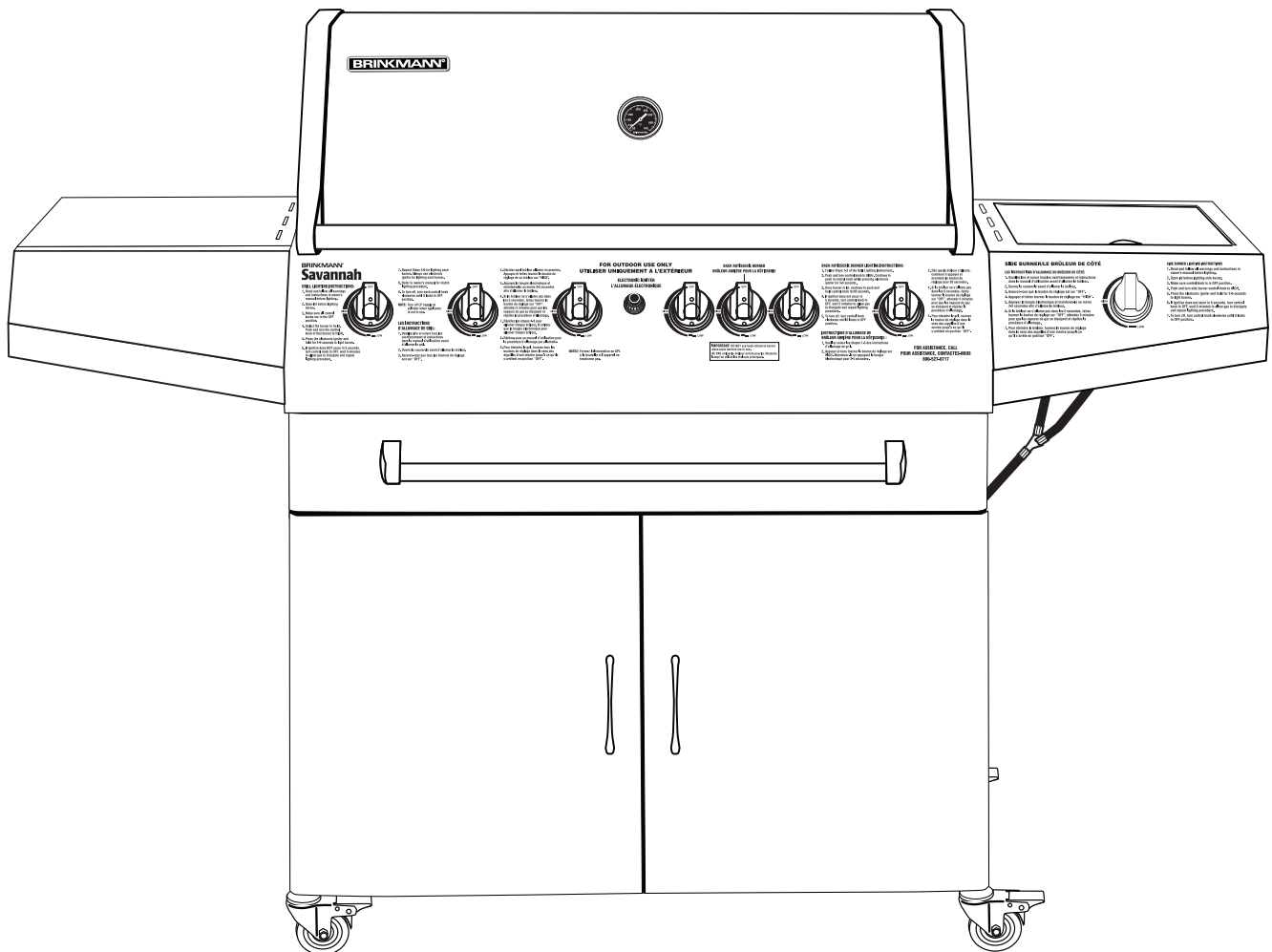
Placer la grille de réchauffage dans ses supports de façon à ce qu'elle repose au-dessus des grilles de cuisson.

Étape 28

Retirer le capuchon de l'allumeur et insérer la pile, côté positif vers le capuchon. Remettre le capuchon en place et s'assurer que l'allumeur fonctionne correctement.



Savannah 6630 (Assemblé)



WARRANTY

The Brinkmann Corporation warrants to the original purchaser that the Savannah™ 6630 Stainless Steel Gas Grill is free from defects due to workmanship or materials for:

- Stainless Steel and Die cast parts - Lifetime
- Electronic ignition and burners - 1 Year
- Remaining parts - 1 Year

The Brinkmann Corporation's obligations under this warranty are limited to the following guidelines:

- This warranty does not cover grills that have been altered or damaged due to: normal wear, rust, abuse, improper maintenance, improper use, disassembly of parts and/or attempted repair by anyone other than an authorized employee of The Brinkmann Corporation.
- This warranty does not cover surface scratches, rust or heat damage to the finish, which is considered normal wear.
- The Brinkmann Corporation may elect to repair or replace damaged units covered by the terms of this warranty.
- This warranty extends to the original purchaser only and is not transferable or assignable to subsequent purchasers.

The Brinkmann Corporation requires reasonable proof of purchase. Therefore, we strongly recommend that you retain your sales receipt or invoice. To obtain replacement parts for your Savannah™ 6630 Stainless Steel Gas Grill under the terms of this warranty, please call Customer Service Department at 800-527-0717. **A receipt will be required. The Brinkmann Corporation will not be responsible for any grills forwarded to us without prior authorization.**

EXCEPT AS ABOVE STATED, THE BRINKMANN CORPORATION MAKES NO OTHER EXPRESS WARRANTY.

THE IMPLIED WARRANTIES OF MERCHANTABILITY AND FITNESS FOR A PARTICULAR PURPOSE ARE LIMITED IN DURATION TO THOSE LISTED ABOVE FROM THE DATE OF PURCHASE. SOME STATES DO NOT ALLOW LIMITATIONS ON HOW LONG AN IMPLIED WARRANTY LASTS, SO THE ABOVE LIMITATION MAY NOT APPLY TO YOU.

ANY LIABILITY FOR INDIRECT, INCIDENTAL OR CONSEQUENTIAL DAMAGES ARISING FROM THE FAILURE OF THE SAVANNAH™ 6630 STAINLESS STEEL GAS GRILL TO COMPLY WITH THIS WARRANTY OR ANY IMPLIED WARRANTY IS EXCLUDED. CUSTOMER ACKNOWLEDGES THAT THE PURCHASE PRICE CHARGED IS BASED UPON THE LIMITATIONS CONTAINED IN THE WARRANTY SET OUT ABOVE. SOME STATES DO NOT ALLOW THE EXCLUSION OR LIMITATION OF INCIDENTAL OR CONSEQUENTIAL DAMAGES, SO THE ABOVE LIMITATION OR EXCLUSION MAY NOT APPLY TO YOU. THIS WARRANTY GIVES YOU SPECIFIC LEGAL RIGHTS, AND YOU MAY ALSO HAVE OTHER RIGHTS WHICH VARY FROM STATE TO STATE.

GARANTIE

The Brinkmann Corporation garantit le gril à gaz en acier inoxydable Brinkmann Savannah™ 6630 contre les défauts de fabrication et de matières à l'acheteur initial pour les durées suivantes :

- Pièces en acier inoxydable et coulées sous pression – à vie
- Allumage électronique et brûleurs – 1 an
- Autres pièces – 1 an

Aux termes de la présente garantie, les obligations de The Brinkmann Corporation se limitent à ce qui suit :

- La présente garantie ne couvre pas les grils altérés ou endommagés par suite de l'usure normale, de la rouille, d'une maltraitance, d'un entretien ou d'une utilisation incorrects, d'un démontage de pièces et/ou de tentative de réparation par quiconque autre qu'un employé habilité de The Brinkmann Corporation.
- La présente garantie ne couvre pas les rayures superficielles, la rouille ni les dégâts causés par la chaleur à la finition, qui sont considérés comme faisant partie de l'usure normale.
- The Brinkmann Corporation peut choisir de réparer ou de remplacer les appareils endommagés couverts par les termes de la présente garantie.
- La présente garantie ne bénéficie qu'à l'acheteur initial et ne peut être transférée ni cédée aux acheteurs ultérieurs.

The Brinkmann Corporation exige une preuve raisonnable de l'achat. Par conséquent, nous recommandons vivement de conserver le ticket de caisse ou la facture. Pour obtenir des pièces de rechange destinées au gril à gaz en acier inoxydable Brinkmann Savannah™ 6630 aux termes de la présente garantie, bien vouloir appeler le service clientèle au 1-800-527-0717. **Un ticket de caisse sera demandé. The Brinkmann Corporation ne sera responsable d'aucun gril qui lui sera envoyé sans autorisation préalable.**

LA GARANTIE OFFERTE PAR THE BRINKMANN CORPORATION NE COUVRE EXPRESSÉMENT QUE CE QUI PRÉCÈDE.

LES GARANTIES TACITES DE VALEUR COMMERCIALE ET D'ADAPTATION À UN USAGE PARTICULIER SONT LIMITÉES EN TERMES DE DURÉE AUX DURÉES SUSMENTIONNÉES À COMPTER DE LA DATE DE L'ACHAT. CERTAINES PROVINCES INTERDISENT DE LIMITER LA DURÉE D'UNE GARANTIE TACITE. LA LIMITE QUI PRÉCÈDE PEUT PAR CONSÉQUENT NE PAS ÊTRE OPPOSABLE À L'ACHETEUR.

TOUTE RESPONSABILITÉ POUR DES DOMMAGES INDIRECTS, FORTUITS OU CONSÉQUENTS DUS À L'INOBSERVATION PAR L'ACHETEUR DU GRIL À GAZ EN ACIER INOXYDABLE BRINKMANN Savannah™ 6630 DES TERMES DE LA PRÉSENTE GARANTIE OU DE TOUTE GARANTIE TACITE EST EXCLUE. LE CLIENT RECONNAÎT QUE LE PRIX D'ACHAT FACTURÉ EST BASÉ SUR LES LIMITES INDIQUÉES DANS LES MODALITÉS CI-DESSUS. CERTAINES PROVINCES INTERDISENT D'EXCLURE OU DE LIMITER LES DOMMAGES FORTUITS OU CONSÉQUENTS. LA LIMITE OU L'EXCLUSION QUI PRÉCÈDE PEUVENT PAR CONSÉQUENT NE PAS ÊTRE OPPOSABLES À L'ACHETEUR. LA PRÉSENTE GARANTIE CONFÈRE DES DROITS PRÉCIS MAIS L'ACHETEUR PEUT ÉGALEMENT JOUIR D'AUTRES DROITS QUI VARIENT D'UNE PROVINCE À L'AUTRE.

Free Manuals Download Website

<http://myh66.com>

<http://usermanuals.us>

<http://www.somanuals.com>

<http://www.4manuals.cc>

<http://www.manual-lib.com>

<http://www.404manual.com>

<http://www.luxmanual.com>

<http://aubethermostatmanual.com>

Golf course search by state

<http://golfingnear.com>

Email search by domain

<http://emailbydomain.com>

Auto manuals search

<http://auto.somanuals.com>

TV manuals search

<http://tv.somanuals.com>