

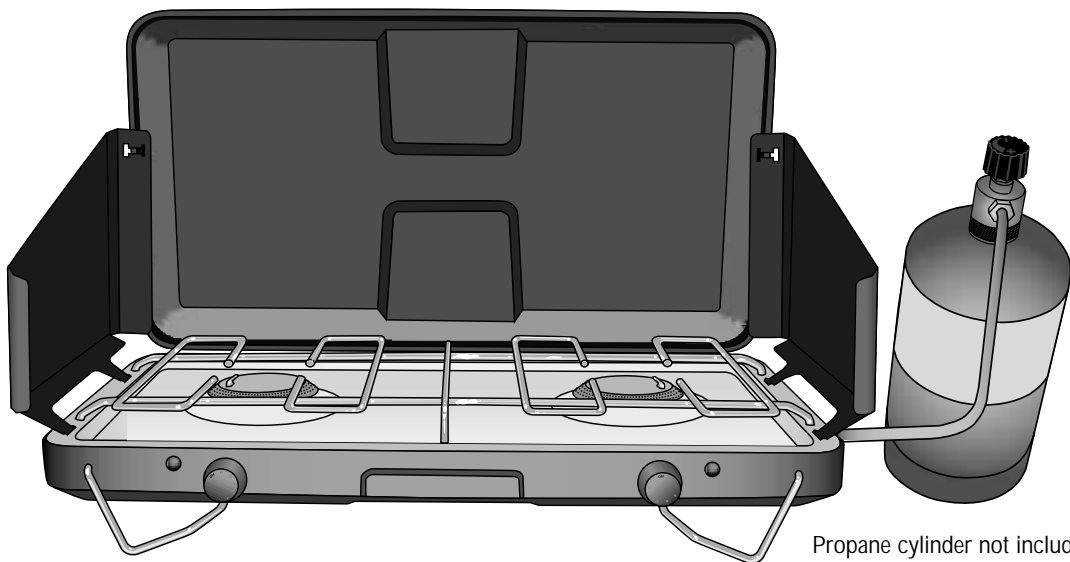


OWNER'S MANUAL
ASSEMBLY AND OPERATING INSTRUCTIONS

TWO BURNER PROPANE CAMPING STOVE

⚠ WARNING


READ AND FOLLOW ALL WARNINGS AND
INSTRUCTIONS IN THIS MANUAL TO AVOID
PERSONAL INJURY OR PROPERTY DAMAGE.



Propane cylinder not included.

IMPORTANT SAFETY WARNINGS

WE WANT YOU TO ASSEMBLE AND USE YOUR STOVE AS SAFELY AS POSSIBLE.

THE PURPOSE OF THIS SAFETY ALERT SYMBOL  IS TO ATTRACT YOUR ATTENTION TO POSSIBLE HAZARDS AS YOU ASSEMBLE AND USE YOUR STOVE.

WHEN YOU SEE THE SAFETY ALERT SYMBOL , PAY CLOSE ATTENTION TO THE INFORMATION WHICH FOLLOWS!

 READ ALL SAFETY WARNINGS AND INSTRUCTIONS CAREFULLY BEFORE ASSEMBLING AND OPERATING YOUR STOVE.

WARNING

- This stove is to be used **outdoors only**. Do not operate indoors (house, tent, garage) or in any unventilated or enclosed area. In windy weather, stove should be located in an outdoor area that is protected from the wind.
- All burning appliances consume oxygen. The stove uses oxygen from the air and may produce CO (Carbon Monoxide), which is a colorless, odorless gas. Ample ventilation must be provided to avoid endangering your life. Be certain that the area in which this appliance is used is properly ventilated at all times. Do not use in unventilated or enclosed areas.
- Only use stove on a level, noncombustible, stable surface (concrete, ground, etc.) Do not use on wooden or other surfaces that could burn. Do not place stove any closer than 24" to a wall and 36" to a ceiling.
- Do not use on apartment balconies, patios, recreational vehicles, campers or boats.
- Propane gas is extremely flammable, follow these instructions:
 - Use only 14.1 oz. or 16.4 oz. propane fuel cylinder as approved by United States Department of Transportation (DOT).
 - Always attach or detach propane cylinder outdoors away from flame, pilot lights and only when appliance is cool to touch.
 - Always inspect appliance, propane cylinder and propane connections for damage, dirt or debris before attaching propane cylinder.
 - Always use appliance in upright position. Protect propane cylinder from excessive heat.
 - Screw propane cylinder into appliance and **HAND TIGHTEN ONLY**.
 - Check all gas connections by following directions in the "Gas Leak Testing" section on page 4 of this manual. Never test for gas leaks with a lighted match or open flame. Do not operate this stove with a gas leak.
 - Propane is heavier than air and can accumulate in low places. Keep propane cylinder, at all times, in a well ventilated area. If you smell gas – leave the area immediately and call for help.
 - Do not use appliance or propane cylinder if either has been damaged or modified.
 - When transporting or storing appliance always disconnect propane cylinder.
 - Turn the stove "ON" and "OFF" with the propane cylinder valve; use the burner control knobs **ONLY** to adjust the flame. Read all warnings on or accompanying propane cylinder.
 - Never store propane cylinder in an enclosed area (house, garage, etc.). Store outdoors in a well ventilated, shaded area, away from any heat source or open flame and away from children's reach.
 - Disconnect the propane cylinder from the stove when not in use. A safety cap should be placed on the propane cylinder.
- In case of grease fire, do not use water to extinguish flame. Turn gas "OFF" at propane cylinder and use fire extinguisher approved for use with gas appliances or other appropriate means to extinguish flame.

⚠ WARNING

- Keep hands, face and hair away from burners. Use long matches or long-nosed lighter to light the burners. Do not wear loose clothing or allow long hair to hang freely while lighting or using stove.
- Do not leave stove unattended when hot or in use. Only adults are to operate this stove; keep children and pets safely away. Carefully monitor all activity around stove to avoid burns or other injuries.
- Always snap down legs to form a "V" with the stove base to prevent the stove from becoming unstable while in use.
- Do not move stove while in use or while pot contains hot liquid.
- Avoid touching hot surfaces, wear oven mitts to protect your hands and non-slick shoes.
- Avoid bumping into stove or boiling pot to prevent hot liquid spills or overturning stove.
- Do not use or store stove near gasoline or other flammable liquids, gases or where flammable vapors may be present.
- Do not use this stove and boiling pot for other than its intended purpose.
- Only use replacement/accessory parts manufactured by The Brinkmann Corporation. Repairs should be performed by The Brinkmann Corporation.
- Properly dispose of all packaging materials.

⚠ USE CAUTION AND COMMON SENSE WHEN OPERATING YOUR STOVE.

⚠ FAILURE TO ADHERE TO THE SAFETY WARNINGS AND GUIDELINES IN THIS MANUAL COULD RESULT IN BODILY INJURY OR PROPERTY DAMAGE.

SAVE THIS MANUAL FOR FUTURE REFERENCE.

ASSEMBLY INSTRUCTIONS

⚠ READ ALL SAFETY WARNINGS & ASSEMBLY INSTRUCTIONS CAREFULLY BEFORE ASSEMBLING OR OPERATING YOUR STOVE.

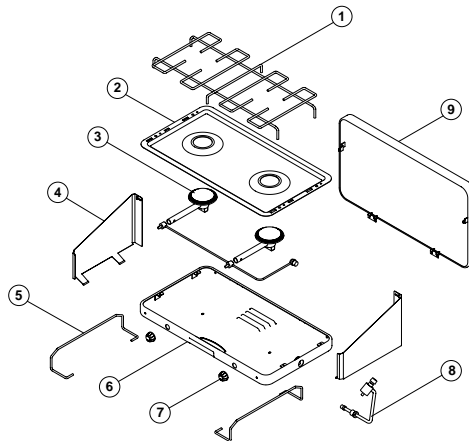
Inspect contents of the box to ensure all parts are included and undamaged.

FOR MISSING PARTS, PLEASE CALL CUSTOMER SERVICE AT 1-800-527-0717.

(Proof of purchase will be required.)

PARTS LIST:

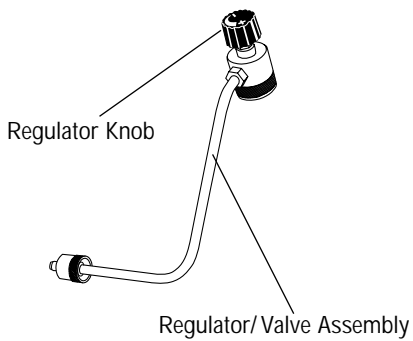
- ① Cooking Grid
- ② Cook Top
- ③ Burner Assembly
- ④ Wind Guard
- ⑤ Leg Wire
- ⑥ Case
- ⑦ Control Knob
- ⑧ Regulator/Valve Assembly
- ⑨ Lid Assembly



Step 1
Snap down legs to form a "V" with the stove base.

Step 2
Open lid and align the two wind guards by inserting notched support arms into wind guards.

Step 3
Remove regulator/valve assembly.

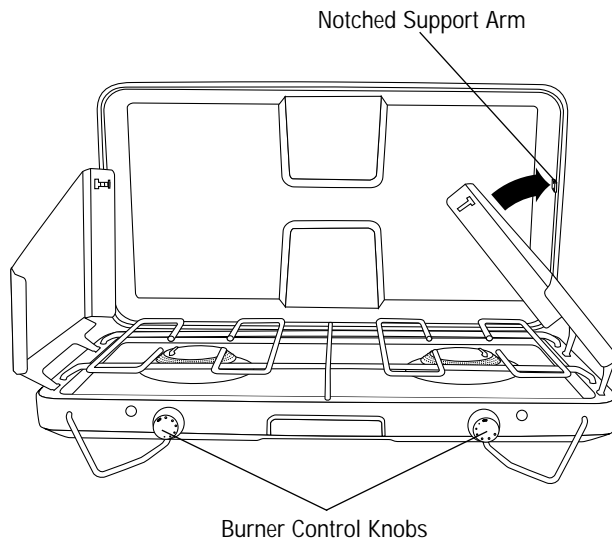


Step 4
Before attaching propane cylinder, make sure the regulator and burner control knobs are in the "OFF" position.

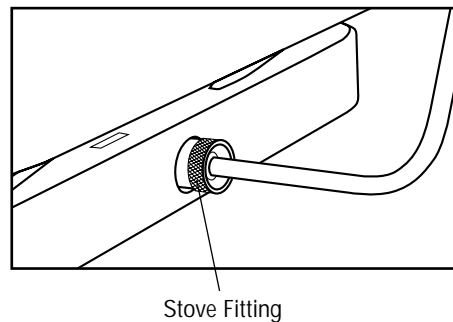
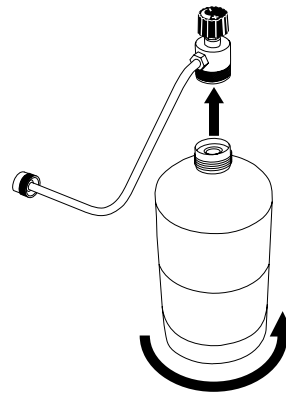
Step 5
Attach propane cylinder to regulator/valve assembly by turning propane cylinder counter-clockwise. **HAND TIGHTEN ONLY.**

NOTE: Use propane cylinder upright when possible to prevent flare-ups.

Step 6
Attach regulator/valve assembly to stove fitting. **HAND TIGHTEN ONLY.**



WARNING: Always snap down legs to form a "V" with the stove base to prevent the stove from becoming unstable while in use.



GAS LEAK TESTING

⚠ THE GAS LEAK TESTING PROCEDURE MUST BE PERFORMED EVERY TIME THE CYLINDER IS CONNECTED TO STOVE.

⚠ WARNING

- Gas leak testing must be performed outdoors in a well ventilated area.
- During the gas leak testing procedure, always keep unit away from open flames, sparks or lit cigarettes.
- Never use a flame to check for gas leaks.
- Always use the regulator valve knob to turn the unit "OFF". The control knobs are used when lighting the burners and to adjust the flame.
- Never use a unit that has a gas leak. Contact The Brinkmann Corporation's Customer Service Department for replacement parts at 1-800-527-0717.

Step 1

Make sure the regulator knob and control knobs are in the "OFF" position.

Step 2

Make sure regulator/valve assembly is properly attached to propane cylinder refer to "**Assembly Instructions**". Attach regulator/valve assembly to the side of the Camping Stove. **HAND TIGHTEN ONLY.**

Step 3

Prepare a soapy water solution (one part dishwashing liquid to three parts water) to test for gas leaks in the assembly hose and connections. Apply a generous amount of the soapy mixture to the regulator stem, the entire length of hose and Camping Stove fitting (located on the right side of stove).

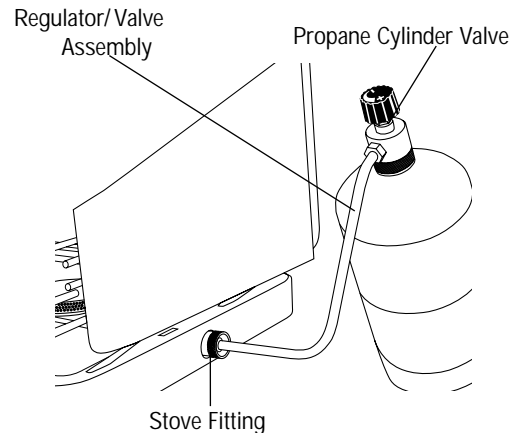
Step 4

With the control knobs in the "OFF" position, open the regulator valve two full turns (counter-clockwise). Next, check for bubbles at regulator valve, along the entire length of hose and at the Camping Stove fitting. **DO NOT LEAVE GAS ON FOR MORE THAN 10 SECONDS.** If soapy mixture starts bubbling, gas is leaking through the connection or hose. Turn the regulator valve "OFF" and retighten the connection that is leaking gas. Repeat procedure with soapy mixture until gas no longer leaks. **NEVER USE A FLAME TO CHECK FOR GAS LEAKS.** Turn the regulator valve "OFF" after each test.

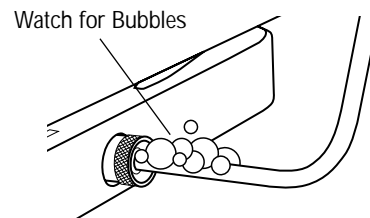
Step 5

Once all gas leaks have been sealed, **WAIT AT LEAST 5 MINUTES FOR GAS FUMES TO DISSIPATE BEFORE LIGHTING THE BURNERS.**

Carefully follow "**Operating Instructions**" to light the burner and properly operate this unit.



NOTE: Use propane cylinder upright when possible to prevent flare-ups. Make sure not to cross-thread fittings while tightening.



OPERATING INSTRUCTIONS

⚠ PLACE THE STOVE OUTDOORS ON A HARD, LEVEL, NONCOMBUSTIBLE SURFACE AWAY FROM ANY COMBUSTIBLE MATERIAL. IN WINDY WEATHER, THE STOVE SHOULD BE LOCATED IN AN OUTDOOR AREA THAT IS PROTECTED FROM THE WIND. GAS LEAK TESTING PROCEDURE MUST BE PERFORMED EVERY TIME THE STOVE IS USED.

⚠ READ ALL SAFETY WARNINGS AND INSTRUCTIONS CAREFULLY BEFORE OPERATING YOUR STOVE.

Step 1

Make sure the regulator knob and control knobs are in the "OFF" position.

Step 2

Fully open the propane cylinder valve by turning regulator knob counter-clockwise.

Step 3

Using a long match, hold the flame beside burner. Turn the control knob SLOWLY until the burner lights.

⚠ WARNING: If the burner does not light within 5 seconds, turn the regulator knob and control knobs "OFF" immediately. Wait at least 5 minutes until gas fumes have dissipated before attempting to light burner again.

Step 4

To light the second burner, reduce the flame on the first, lit burner and repeat Step 3.

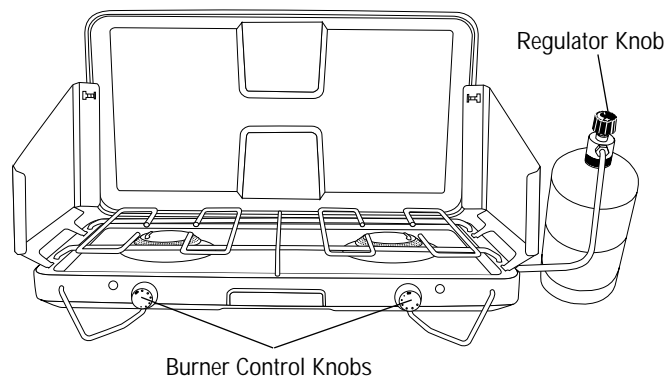
Step 5

When food is done, turn stove "OFF". Always turn regulator knob "OFF" first, then turn the control knobs "OFF".

Step 6

Allow stove to cool completely, then follow instructions in the "After-Use Safety" and "Proper Care & Maintenance" sections of this manual.

NOTE: Use propane cylinder upright when possible to prevent flare-ups.



AFTER-USE SAFETY

WARNING

- Always allow the stove to cool completely before handling.
- Always disconnect the propane cylinder from stove when not in use - a safety cap should be placed on the propane cylinder.

PROPER CARE & MAINTENANCE

- Cover and store stove in a protected area away from children and pets.
- Never store propane cylinder in an enclosed area (house, garage, etc.). Store outdoors in a well ventilated, shaded area away from any heat source or open flame.
- Due to the intense heat from burner, it is normal for paint burn off and discoloration to occur on stove during the first few uses.
- To protect your stove from excessive rust, the unit must be kept clean and covered at all times when not in use. We strongly suggest storing the stove indoors in a shed, garage or storage room. Disconnect the LP cylinder and leave the LP cylinder outdoors.
- If rust appears on the exterior surface of your stove, clean and buff the affected area with steel wool or fine grit emery cloth. Touch-up with a good quality high-temperature resistant paint.
- Wash cooking grill with hot, soapy water, rinse well and dry.
- Clean inside and outside of stove by wiping off with a damp cloth.

©2002 The Brinkmann Corporation
Dallas, Texas 75244 U.S.A

www.brinkmanncorp.com

ONE YEAR LIMITED WARRANTY

For one year from date of purchase, The Brinkmann Corporation warrants the Tabletop Camping Stove against defects due to workmanship or materials to the original purchaser. The Brinkmann Corporation's obligations under this warranty are limited to the following guidelines:

- This warranty does not cover stoves that have been altered or damaged due to: normal wear, abuse, improper maintenance, improper use, disassembly of parts and/or attempted repair by anyone other than an authorized employee of The Brinkmann Corporation.
- This warranty does not cover surface scratching or heat damage to the finish, which is considered normal wear.
- The Brinkmann Corporation may elect to repair or replace damaged units covered by the terms of this warranty.
- This warranty extends to the original purchaser only and is not transferable or assignable to subsequent purchasers.

The Brinkmann Corporation requires reasonable proof of purchase. Therefore, we strongly recommend that you retain your sales receipt or invoice. To obtain replacement parts for your Tabletop Camping Stove under the terms of this warranty, please call Customer Service Department at 1-800-527-0717. **A receipt will be required. The Brinkmann Corporation will not be responsible for any stoves forwarded to us without prior authorization.**

EXCEPT AS ABOVE STATED, THE BRINKMANN CORPORATION MAKES NO OTHER EXPRESS WARRANTY.

THE IMPLIED WARRANTIES OF MERCHANTABILITY AND FITNESS FOR A PARTICULAR PURPOSE ARE LIMITED IN DURATION TO ONE YEAR FROM THE DATE OF PURCHASE. SOME STATES DO NOT ALLOW LIMITATIONS ON HOW LONG AN IMPLIED WARRANTY LASTS, SO THE ABOVE LIMITATION MAY NOT APPLY TO YOU.

ANY LIABILITY FOR INDIRECT, INCIDENTAL OR CONSEQUENTIAL DAMAGES ARISING FROM THE FAILURE OF THE TABLETOP CAMPING STOVE TO COMPLY WITH THIS WARRANTY OR ANY IMPLIED WARRANTY IS EXCLUDED. CUSTOMER ACKNOWLEDGES THAT THE PURCHASE PRICE CHARGED IS BASED UPON THE LIMITATIONS CONTAINED IN THE WARRANTY SET OUT ABOVE. SOME STATES DO NOT ALLOW THE EXCLUSION OR LIMITATION OF INCIDENTAL OR CONSEQUENTIAL DAMAGES, SO THE ABOVE LIMITATION OR EXCLUSION MAY NOT APPLY TO YOU. THIS WARRANTY GIVES YOU SPECIFIC LEGAL RIGHTS, AND YOU MAY ALSO HAVE OTHER RIGHTS WHICH VARY FROM STATE TO STATE.

Free Manuals Download Website

<http://myh66.com>

<http://usermanuals.us>

<http://www.somanuals.com>

<http://www.4manuals.cc>

<http://www.manual-lib.com>

<http://www.404manual.com>

<http://www.luxmanual.com>

<http://aubethermostatmanual.com>

Golf course search by state

<http://golfingnear.com>

Email search by domain

<http://emailbydomain.com>

Auto manuals search

<http://auto.somanuals.com>

TV manuals search

<http://tv.somanuals.com>