

BRINKMANN®

Qbeam®

**MAX
MILLION II™**

RECHARGEABLE

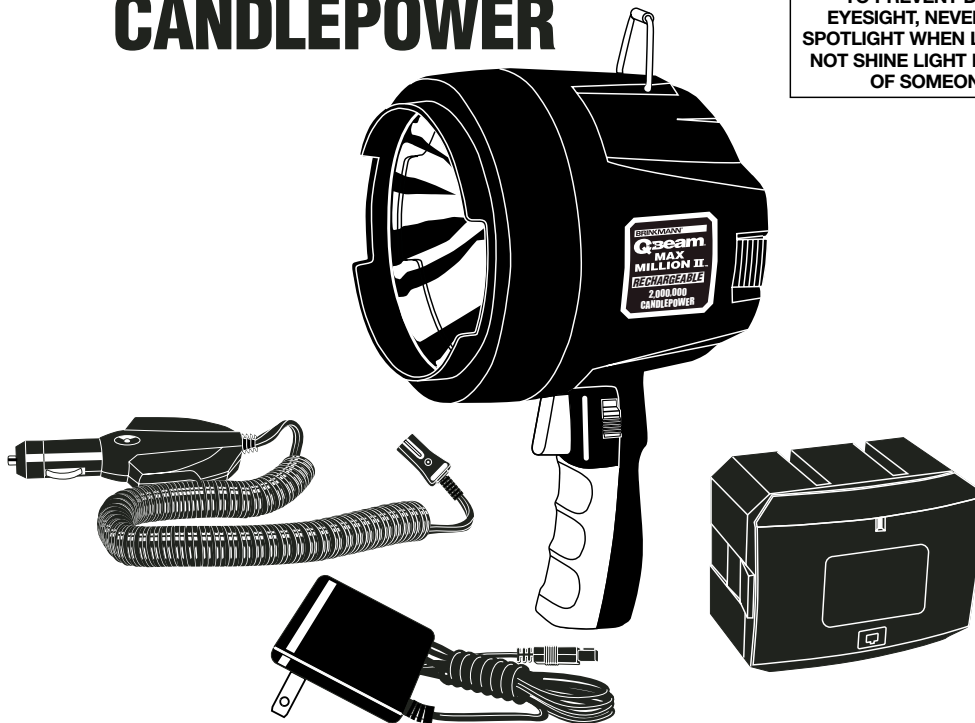
**2,000,000
CANDLEPOWER**

⚠ WARNING

READ AND FOLLOW ALL WARNINGS
AND INSTRUCTIONS IN THIS
MANUAL TO AVOID PERSONAL
INJURY OR PROPERTY DAMAGE.

⚠ WARNING

TO PREVENT DAMAGE TO
EYESIGHT, NEVER LOOK INTO
SPOTLIGHT WHEN LIGHT IS ON. DO
NOT SHINE LIGHT INTO THE FACE
OF SOMEONE ELSE.



**SPOTLIGHT OWNER'S MANUAL
OPERATING INSTRUCTIONS**

IMPORTANT SAFETY WARNINGS

⚠ READ AND FOLLOW ALL SAFETY WARNINGS AND INSTRUCTIONS IN THE OWNER'S MANUAL BEFORE OPERATING SPOTLIGHT.

⚠ WARNING

- Never place spotlight face down when light is on or is still hot from recent use. Doing so could burn/ignite surfaces such as seats, carpeting, etc. and cause major property damage. Always turn spotlight off when not in use.
- To prevent serious damage to eyesight, never look into spotlight when light is on. DO NOT shine light into the face of someone else.
- DO NOT touch lens of spotlight when light is on or if it was recently on. The lens will be hot and could cause serious burns.
- DO NOT place spotlight in water. Keep all components dry and out of water at all times.
- DO NOT allow children to handle or operate this spotlight.
- DO NOT use this product for other than its intended use.
- DO NOT charge or operate in close proximity of combustible or flammable materials.
- DO NOT charge battery in gas tight enclosures.
- DO NOT attempt to charge battery pack using both AC and DC chargers at the same time.
- DO NOT attempt to charge or operate this spotlight if cord, plug, battery, bulb or any part of the spotlight is damaged or corroded.
- DO NOT allow metal parts to touch metal contacts on battery as this can cause a short circuit and result in a fire.
- DO NOT use an outdoor AC outlet to recharge battery.
- To prevent accidental electrical shock we recommend this product always be charged on a GFCI (Ground Fault Circuit Interrupter) outlet.
- Only use charging devices that are provided with the Q-Beam Max Million II Rechargeable Spotlight or its replacements.
- DO NOT disassemble or tamper with the battery.
- DO NOT dispose of battery in fire as this may result in explosion.
- When disposing of battery, place electrical tape over metal contacts on battery to prevent short circuit which could cause a fire.
- The sealed battery contains lead and must be recycled or disposed of properly. Contact your local county solid waste authority for proper recycling or disposal information.

USE CAUTION AND COMMON SENSE WHEN OPERATING YOUR RECHARGEABLE LIGHT.

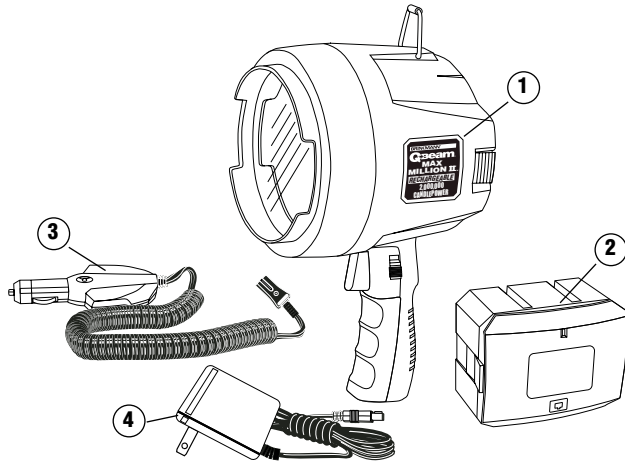
**FAILURE TO ADHERE TO THE SAFETY WARNINGS AND GUIDELINES IN THIS MANUAL
COULD RESULT IN BODILY INJURY OR PROPERTY DAMAGE.**

SAVE THIS MANUAL FOR FUTURE REFERENCE.

OPERATING INSTRUCTIONS

⚠ READ AND FOLLOW ALL SAFETY WARNINGS AND INSTRUCTIONS IN THE OWNER'S MANUAL BEFORE OPERATING SPOTLIGHT.

Inspect contents of the box to ensure all parts are included and undamaged.



Part List:

- ① Q-Beam Max Million II Rechargeable Spotlight
- ② Rechargeable Battery (Extra Battery with Model 800-2655-1)
- ③ 12-volt DC Charger/Adapter
- ④ 120-volt AC Charger

Owner's Manual

To Operate

IMPORTANT:

Unlock and turn spotlight OFF before charging from AC or DC outlet. The battery cannot charge if the spotlight is ON. Leaving spotlight ON during charging may cause damage to battery and AC charger.

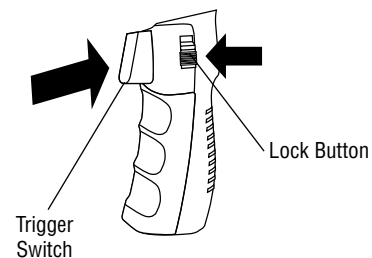
12-volt DC charger/adapter operates from a cigarette lighter receptacle for charging battery in spotlight or continuous corded operation with or without battery.

NOTE: To prevent car battery from completely discharging, it is recommended that car engine remain running while in use.

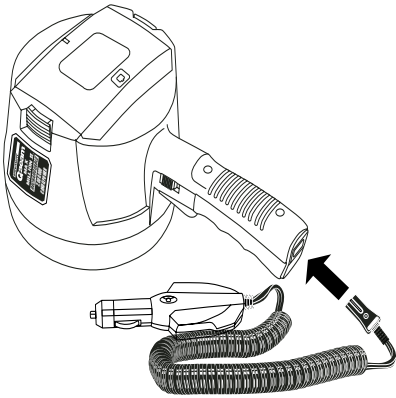
- Step 1:** Follow charging instructions on page 3 of this manual and allow battery to fully charge.
- Step 2:** Depress trigger switch in handle to turn spotlight ON. Release trigger switch to turn spotlight OFF.
- Step 3:** To lock trigger switch to ON, depress trigger switch and slide down lock button on side of handle. To unlock and turn spotlight OFF, depress trigger and slide lock button up.

⚠ WARNING: Never place spotlight face down when light is on or is still hot from recent use. Doing so could burn/ignite surfaces such as seats, carpeting, etc. and cause major property damage. Always turn spotlight off when not in use.

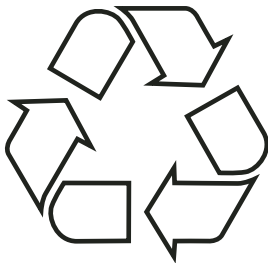
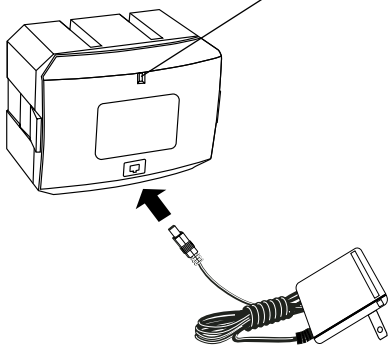
- The life expectancy of the battery is approximately 500 cycles, at which time a replacement battery is recommended. A replacement battery may be purchased from The Brinkmann Corporation Customer Service Department by calling 800-468-5252.
- Do not allow battery to completely discharge. A dim light indicates a low battery. Turn OFF and UNLOCK spotlight and recharge battery as soon as possible.



To Charge



L.E.D. Indicator Light



Contains lead-acid (Pb) batteries. Batteries must be recycled or disposed of properly.

THE BATTERY CAN BE CHARGED INSIDE OR OUTSIDE OF SPOTLIGHT.

To Charge Battery Inside of Spotlight:

Step 1: Make sure the trigger switch is not locked ON.

Step 2: Plug the AC charger directly into back of battery or DC charger/adaptor into bottom of spotlight handle.

Note: L.E.D. Indicator light will turn on when battery is charging from AC charger only.

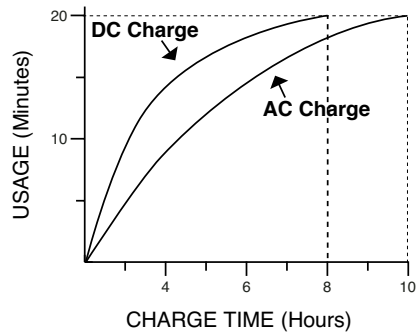
Step 3: **For DC Charger/Adapter** - Battery charges only while vehicle engine is running.

For AC Charger - Allow battery to fully charge. L.E.D. indicator on battery will automatically turn off when battery is fully charged.

See chart for recommended charge times.

Charge Times

Charge times are dependent on usage of the product. See chart below for recommended charge times.



WARNING: A damaged battery can leak acid. Avoid contact with eyes and skin. If contact occurs, flush immediately with large amounts of water. DO NOT ingest. If contact with eyes or ingestion occurs, consult physician immediately.

IMPORTANT: If battery is not used for more than 90 days, remove battery from the spotlight. Charge battery every 2 months to ensure battery does not completely lose charge. A completely discharged battery may not recharge properly.

To Charge Battery Outside of Spotlight:

Step 1: Remove battery from back of spotlight by pressing on the quick-release tabs.

Step 2: Plug the AC charger into battery as illustrated.

Note: L.E.D. Indicator light will turn on when battery is charging from AC charger only.

Step 3: For AC Charger - Allow battery to fully charge. L.E.D. indicator on battery will automatically turn off when battery is fully charged.

IMPORTANT: If battery is not used for more than 90 days, remove battery from the spotlight. Charge battery every 2 months to ensure battery does not completely lose charge. A completely discharged battery may not recharge properly.

WARNING: A damaged battery can leak acid. Avoid contact with eyes and skin. If contact occurs, flush immediately with large amounts of water. DO NOT ingest. If contact with eyes or ingestion occurs, consult physician immediately.

Step 4: Place charged battery inside light so that metal contacts on battery and light are making contact.

Note: Press battery firmly until fully inserted and locked with quick-release tabs.

For extended lighting requirements, we recommend purchasing an additional battery as a back-up. Additional/replacement batteries may be purchased from The Brinkmann Corporation Customer Service Department by calling 800-468-5252.

Only use Brinkmann's 12V75W halogen bulb that is designed for the Q-Beam Max Million II Rechargeable spotlight as a replacement. Use of any other bulb may result in poor performance and may damage your spotlight.

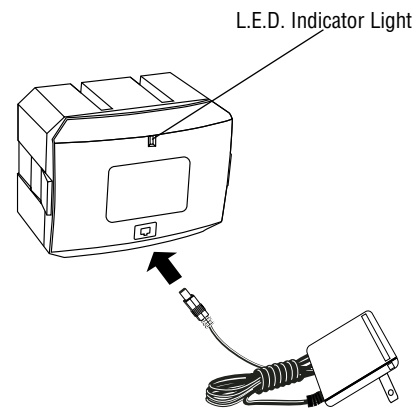
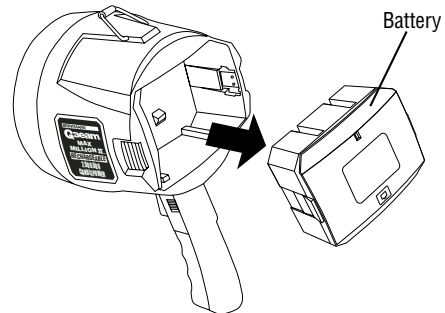
IMPORTANT: Do not touch the glass part of bulb with fingers as natural oils affect the life and performance of bulb. Handle bulb by metal end only.

Step 1: Disconnect spotlight from power source.

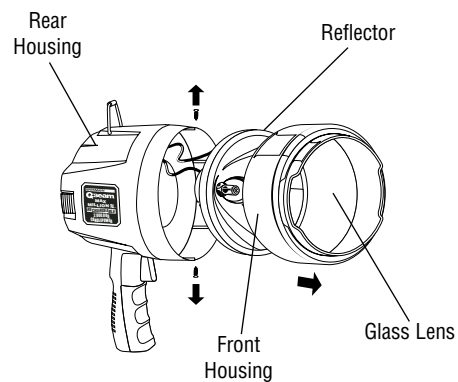
Step 2: Remove battery from spotlight.

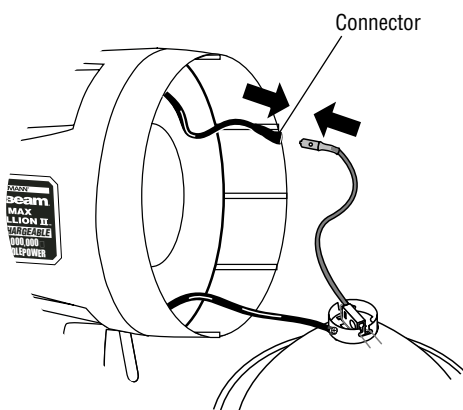
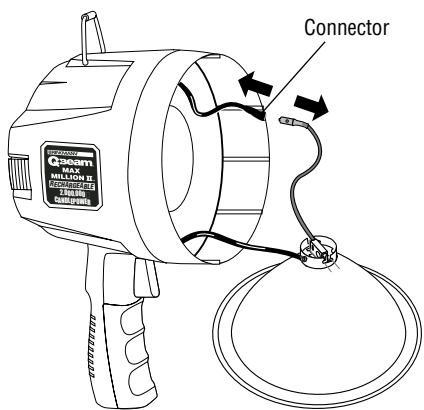
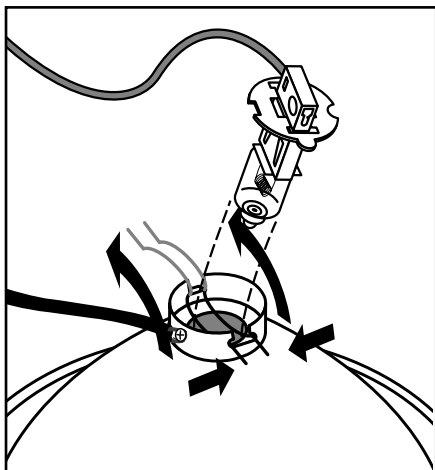
Step 3: Remove the two screws from top and bottom of front housing.

Step 4: Lay the spotlight face (lens) down on a flat surface.



To Replace Bulb





5

Step 5: Holding the front housing secure, slowly lift the rear housing off.

Step 6: Pull reflector away from rear housing being careful not to pull wire connections inside. Do not touch the inside of reflector.

NOTE: The glass lens is not attached to front housing. Use care when disassembling to avoid breaking lens.

Step 7: Pinch the ends of the wire retainer together and lift up as illustrated.

Step 8: Pull bulb straight out from the reflector mounting plate.

Step 9: Disconnect bulb wire from connector by holding the connector firmly with fingers then pulling bulb wire straight out.

Step 10: To install new bulb, grasp the bulb from the metal end (DO NOT TOUCH THE GLASS PART) and insert into the reflector mounting plate. Align the slots in the bulb base with those in the reflector mounting plate.

Step 11: Replace wire retainer by pinching ends together while pressing down. Push ends apart so they catch on the reflector mounting plate.

Step 12: Reconnect the bulb wire to the connector as illustrated.

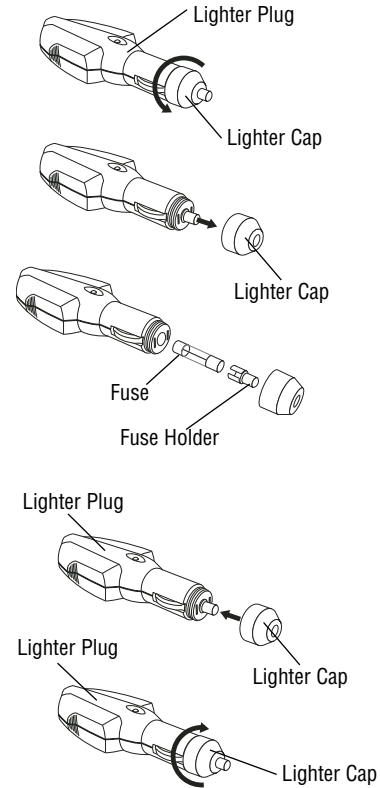
Step 13: To reassemble, place the front housing face (lens) down on a flat surface. Set the reflector into the rear housing. Insert the rear housing into the front housing of the spotlight.

Step 14: Replace the two screws that were removed in Step 3. Do not over tighten screws.

Replacement bulbs may be purchased from The Brinkmann Corporation Customer Service Department by calling 800-468-5252.

- Step 1:** Disconnect spot/flood light from power source.
- Step 2:** Unscrew cap of lighter plug and pull straight away from fuse.
- Step 3:** Pull fuse holder and fuse out of lighter plug. Observe to see if fuse is burned out.
- NOTE:** Use a 8A fuse only. Fuse is burned out when fuse element is missing or broken inside glass tube. Replace with new 8A fuse if fuse element is missing or broken.
- Step 4:** Pull fuse out of fuse holder. Insert new fuse into holder.
- Step 5:** Insert fuse holder and fuse into lighter plug.
- Step 6:** Screw cap onto lighter plug.

To Replace Cigarette Lighter Plug Fuse



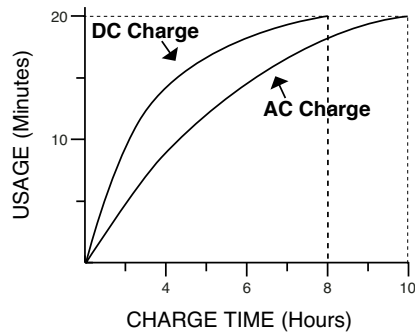
To Prevent Damage to Spotlight and Battery:

- Do not attempt to use spotlight while charging directly from AC outlet. Doing so may cause damage to battery and AC charger.
- 12-volt DC charger/adaptor operates from a cigarette lighter receptacle for charging battery in spotlight only while vehicle engine is running or continuous corded operation with or without battery.
- Do not attempt to charge battery pack using both AC and DC chargers at the same time.
- Only use charging devices that are provided with the Q-Beam Max Million II Rechargeable Spotlight or its replacements.
- **For DC Charger/Adapter** - Battery charges only while vehicle engine is running.
For AC Charger - Allow battery to fully charge. L.E.D. indicator on battery will automatically turn off when battery is fully charged.
See chart for recommended charge times.
- Do not allow battery to completely discharge. A dim light indicates a low battery. Recharge battery as soon as possible after each use.
- Always keep the battery fully charged when not in use.

Charging Tips

Charge Times

Charge times are dependent on usage of the product. See chart below for recommended charge times.



©2002 The Brinkmann Corporation
Dallas, Texas 75244 U.S.A
www.brinkmann.net

1-YEAR LIMITED WARRANTY

For 1-year from date of purchase, The Brinkmann Corporation warrants the Max Million Million II Rechargeable Light against defects due to workmanship or materials to the original purchaser. The Brinkmann Corporation's obligations under this warranty are limited to the following guidelines:

- This warranty does not extend to the bulb or battery.
- This warranty does not cover rechargeable lights that have been altered or damaged due to: normal wear, abuse, improper maintenance, improper use, disassembly of parts and/or attempted repair by anyone other than an authorized employee of The Brinkmann Corporation.
- This warranty does not cover surface scratches or weathering as this is considered normal wear.
- Warranty service is limited to repair or replacement of rechargeable lights which prove defective under normal use and which upon examination shall indicate to Brinkmann's satisfaction, they are defective. If Brinkmann confirms the defect and approves the claim, Brinkmann will elect to repair or replace the rechargeable light as covered by the terms of this warranty.
- This warranty extends to the original purchaser only and is not transferable or assignable to subsequent purchasers.

The Brinkmann Corporation requires reasonable proof of purchase. Therefore, we strongly recommend that you retain your sales receipt or invoice. To obtain repair or replacement of your Max Million II Rechargeable Light under the terms of this warranty, please call Customer Service Department at 800-527-0717 for a **Return Authorization Number** and further instructions. **A receipt will be required.** Rechargeable lights returned to Brinkmann must include your name, address and telephone number. Please make sure the light is properly packed, postage prepaid, and insured. **A Return Authorization Number must be clearly marked on the outside of the box.** Brinkmann cannot be responsible for any rechargeable lights forwarded to us without a Return Authorization Number.

EXCEPT AS ABOVE STATED, THE BRINKMANN CORPORATION MAKES NO OTHER EXPRESS WARRANTY.

THE IMPLIED WARRANTIES OF MERCHANTABILITY AND FITNESS FOR A PARTICULAR PURPOSE ARE LIMITED IN DURATION TO 1-YEAR FROM THE DATE OF PURCHASE. SOME STATES DO NOT ALLOW LIMITATIONS ON HOW LONG AN IMPLIED WARRANTY LASTS, SO THE ABOVE LIMITATION MAY NOT APPLY TO YOU.

ANY LIABILITY FOR INDIRECT, INCIDENTAL OR CONSEQUENTIAL DAMAGES ARISING FROM THE FAILURE OF THE MAX MILLION II RECHARGEABLE LIGHT TO COMPLY WITH THIS WARRANTY OR ANY IMPLIED WARRANTY IS EXCLUDED. CUSTOMER ACKNOWLEDGES THAT THE PURCHASE PRICE CHARGED IS BASED UPON THE LIMITATIONS CONTAINED IN THE WARRANTY SET OUT ABOVE. SOME STATES DO NOT ALLOW THE EXCLUSION OR LIMITATION OF INCIDENTAL OR CONSEQUENTIAL DAMAGES, SO THE ABOVE LIMITATION OR EXCLUSION MAY NOT APPLY TO YOU. THIS WARRANTY GIVES YOU SPECIFIC LEGAL RIGHTS, AND YOU MAY ALSO HAVE OTHER RIGHTS WHICH VARY FROM STATE TO STATE.

140-2655-0
5/02, 7/02, 8/03,
6/04, 10/05

Owner's Manual for Model
800-2655-2 & 800-2655-1

Free Manuals Download Website

<http://myh66.com>

<http://usermanuals.us>

<http://www.somanuals.com>

<http://www.4manuals.cc>

<http://www.manual-lib.com>

<http://www.404manual.com>

<http://www.luxmanual.com>

<http://aubethermostatmanual.com>

Golf course search by state

<http://golfingnear.com>

Email search by domain

<http://emailbydomain.com>

Auto manuals search

<http://auto.somanuals.com>

TV manuals search

<http://tv.somanuals.com>