

**BRINKMANN®**

# 1 MILLION CANDLEPOWER 12-VOLT SPOTLIGHT

**⚠ WARNING**

READ AND FOLLOW ALL WARNINGS  
AND INSTRUCTIONS IN THIS  
MANUAL TO AVOID PERSONAL  
INJURY OR PROPERTY DAMAGE.

**⚠ WARNING**

TO PREVENT DAMAGE TO  
EYESIGHT, NEVER LOOK INTO  
SPOTLIGHT WHEN LIGHT IS ON. DO  
NOT SHINE LIGHT INTO THE FACE  
OF SOMEONE ELSE.



## OWNER'S MANUAL & OPERATING INSTRUCTIONS

## IMPORTANT SAFETY WARNINGS

**⚠ READ AND FOLLOW ALL SAFETY WARNINGS AND INSTRUCTIONS  
IN THE OWNER'S MANUAL BEFORE OPERATING SPOTLIGHT.**

### **⚠ WARNING**

- Never place spotlight lens (face) down when light is on or if it was recently on. Doing so could burn/ignite surfaces such as seats, carpeting, etc. and cause serious property damage. Always turn spotlight OFF and unplug from source when not in use.
- To prevent serious damage to eyesight, never look into spotlight when light is on. Do not shine light into the face of someone else.
- Do not touch lens of spotlight when light is on or if it was recently on. The lens will be hot and could cause serious burns.
- Keep battery clips or cigarette lighter plug dry and out of water at all times.
- Do not place spotlight in water. Keep all components dry and out of water at all times.
- Do not allow children to handle or operate this spotlight.
- Do not use this product for other than its intended use.
- Do not operate in close proximity of combustible or flammable materials.
- Do not attempt to operate spotlight if cord, plug, bulb or any part of the spotlight is damaged or corroded.

**USE CAUTION AND COMMON SENSE WHEN OPERATING YOUR SPOTLIGHT.**

**FAILURE TO ADHERE TO THE SAFETY WARNINGS AND GUIDELINES IN THIS MANUAL**

**COULD RESULT IN BODILY INJURY OR PROPERTY DAMAGE.**

**SAVE THIS MANUAL FOR FUTURE REFERENCE.**

### **Tips to Avoid Damage to Your Spotlight**

- Never attempt to wipe or clean the inner reflective surface of the reflector. Touching or wiping the surface will damage it permanently.
- The lens is made of optical-quality, tempered glass. As with all glass, avoid dropping or sharp impact on spotlight.
- Do not allow the hot lens to come in contact with water or materials subject to heat damage.
- This spotlight is weather resistant. It is not waterproof. Do not use the spotlight under water or store outdoors for extended periods.
- Only use a Brinkmann 12-volt, halogen bulb that is designed for your spotlight. Use of any other bulb may result in poor performance and may damage your spotlight.
- After months of use, cigarette lighters can build up corrosion that may prevent your spotlight from making good contact. It may be necessary to clean the inside of your cigarette lighter receptacle with a fine emery cloth. Before cleaning receptacle, remove the fuse to prevent it from shorting out.

# OPERATING INSTRUCTIONS

**⚠ READ AND FOLLOW ALL SAFETY WARNINGS AND INSTRUCTIONS IN THE OWNER'S MANUAL BEFORE OPERATING SPOTLIGHT.**

**Step 1:** To activate spotlight, plug the cigarette lighter adapter into a cigarette lighter receptacle.

**Step 2:** Depress trigger switch in handle to turn spotlight ON. Release trigger switch to turn spotlight OFF.

**⚠ WARNING:** Never place spotlight lens face down when light is on or if it was recently on. Doing so could burn/ignite surfaces such as seats, carpeting, etc. and cause serious property damage. Always turn spotlight off and unplug from power source when not in use.

**Step 3:** To lock trigger switch to ON, depress trigger switch and slide locking button on side of handle to LOCK. To unlock and turn spotlight OFF, slide locking button up to UNLOCK.

**NOTE:** The locking button can also be used to lock spotlight in the OFF position to prevent accidental activation.

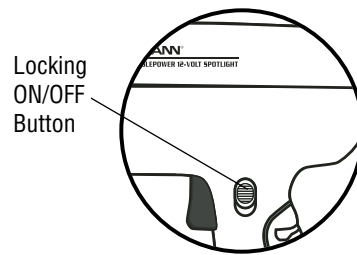
Only use a Brinkmann halogen bulb that is designed for the 1 Million CP Spotlight as a replacement. Use of any other bulb may result in poor performance and may damage your spotlight.

**IMPORTANT:** Do not touch the glass part of bulb with fingers as natural oils affect the life and performance of bulb. Handle bulb by metal end only.

**Step 1:** Disconnect spotlight from power source.

**Step 2:** Pull out rubber cap. Remove screws from right housing. (see Figure 1).

**Step 3:** Holding the left housing securely, slowly lift the right housing off being careful not to pull wire connections inside. Do not touch the inside of reflector.



## To Replace Bulb

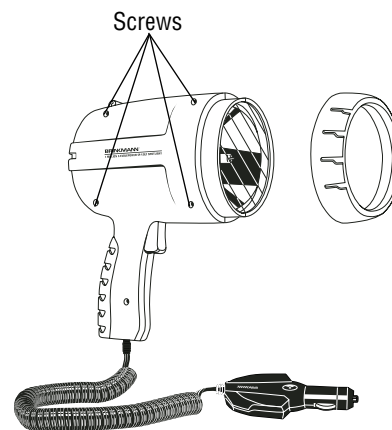


FIGURE 1

**NOTE:** The glass lens is not attached to either housing. Use care when disassembling to avoid breaking lens.

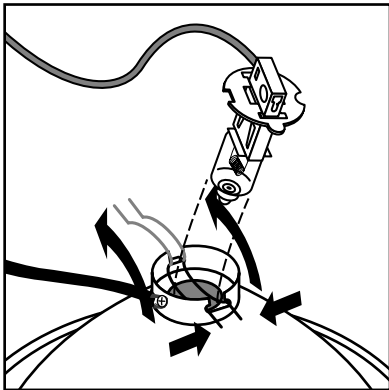


FIGURE 3

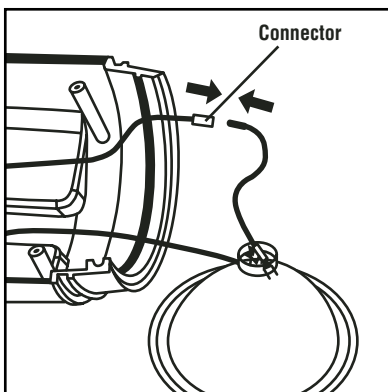


FIGURE 4

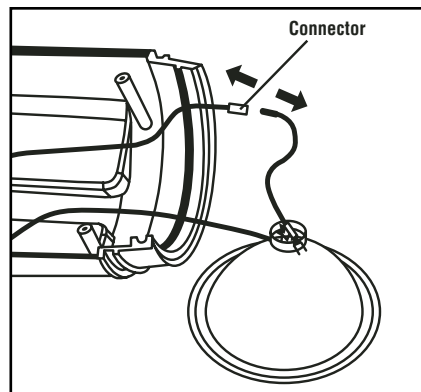


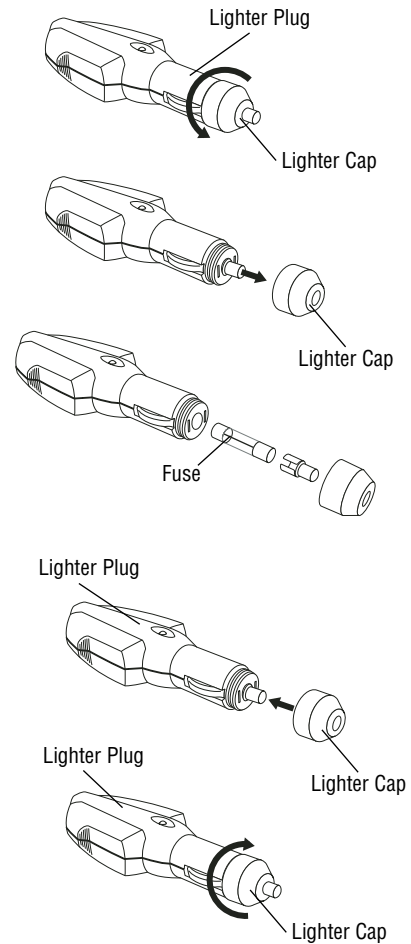
FIGURE 2

- Step 4:** Disconnect bulb wire from connector by holding the connector firmly with fingers then pulling bulb wire straight out as shown in Figure 2.
- Step 5:** Squeeze the wire retainer together and lift up as illustrated in Figure 3.
- Step 6:** Pull bulb straight out from the reflector mounting plate.
- Step 7:** To install new bulb, grasp the bulb from the metal end (DO NOT TOUCH THE GLASS PART) and insert into the reflector mounting plate. Align the slots in the bulb base with those in the reflector mounting plate.
- Step 8:** Replace wire retainer by squeezing ends together while pressing down. Release ends so that they catch on the reflector mounting plate.
- Step 9:** Reconnect the bulb wire to the connector as illustrated in Figure 4.
- Step 10:** To reassemble, place the left housing down on a flat surface. Set the reflector into the left housing. Insert the right housing onto the left housing of the spotlight.
- Step 11:** Replace screws that were removed in Step 2. Do not overtighten screws.

Replacement bulbs and accessories may be purchased from The Brinkmann Corporation Consumer Sales Department by calling 800-468-5252.

- Step 1:** Disconnect spotlight from power source.
- Step 2:** Unscrew cap of lighter plug and pull straight away from fuse.
- Step 3:** Pull fuse out of lighter plug. Observe to see if fuse is burned out.
- NOTE:** Use a 8A fuse only. Fuse is burned out when fuse element is missing or broken inside glass tube. Replace with new 8A fuse if fuse element is missing or broken.
- Step 4:** Pull fuse out of fuse holder. Insert new fuse into holder.
- Step 5:** Insert fuse holder and fuse into lighter plug.
- Step 6:** Screw cap onto lighter plug.

## To Replace Cigarette Lighter Plug Fuse



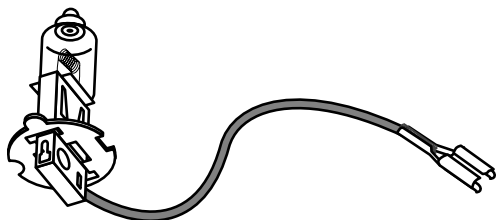
## ACCESSORIES



### **Lighter Plug Extension Cord**

Features a 15-ft. cord with a cigarette lighter plug and receptacle.

**Model 802-1706-0**



### **Replacement Bulb**

12-volt, halogen bulb is an original replacement for 1 Million CP spotlight.

**Model 802-1745-0**

**Look for these accessories at your local retailer where spotlights are sold, or order direct by calling 800-468-5252**

## ACCESSORIES

### Rechargeable Battery Pack With Carrying Case

12-volt rechargeable battery pack adds total mobility to your spotlight. Includes cigarette lighter receptacle, 120-volt charging transformer and a heavy-duty, woven nylon carrying case with shoulder strap.

**Model 802-1724-1 Black**

**Model 802-1725-1 Green Camo**

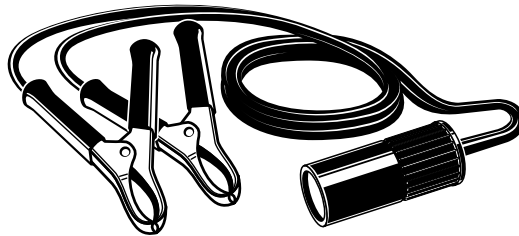


### Pigtail Adapters

Pigtail adapter with battery terminal clips allow spotlights with cigarette lighter plug to operate directly from a 12-volt battery.

**(2Ft. Cord) Model 802-1704-0**

**(10Ft. Cord) Model 802-1705-0**



© 2003 The Brinkmann Corporation  
Dallas, TX 75244  
www.brinkmann.net

## 1-YEAR LIMITED WARRANTY

For 1-year from date of purchase, The Brinkmann Corporation warrants the 1 Million Candlepower 12-Volt Spotlight against defects due to workmanship or materials to the original purchaser. The Brinkmann Corporation's obligations under this warranty are limited to the following guidelines:

- This warranty does not extend to the bulb.
- This warranty does not cover spotlights that have been altered or damaged due to: normal wear, abuse, improper maintenance, improper use, disassembly of parts and/or attempted repair by anyone other than an authorized employee of The Brinkmann Corporation.
- This warranty does not cover surface scratches or weathering as this is considered normal wear.
- Warranty service is limited to repair or replacement of spotlights which prove defective under normal use and which upon examination shall indicate to Brinkmann's satisfaction, they are defective. If Brinkmann confirms the defect and approves the claim, Brinkmann will elect to repair or replace the rechargeable light as covered by the terms of this warranty.
- This warranty extends to the original purchaser only and is not transferable or assignable to subsequent purchasers.

The Brinkmann Corporation requires reasonable proof of purchase. Therefore, we strongly recommend that you retain your sales receipt or invoice. To obtain repair or replacement of your 1 Million Candlepower 12-Volt Spotlight under the terms of this warranty, please call Customer Service Department at 800-527-0717 for a Return Authorization Number and further instructions. **A receipt or proof of purchase will be required. A Return Authorization Number must be clearly marked on the outside of the box.** Spotlights returned to Brinkmann must include your name, address and telephone number. Please make sure the light is properly packed, postage prepaid, and insured. Brinkmann will not be responsible for any spotlights forwarded to us without a Return Authorization Number.

EXCEPT AS ABOVE STATED, THE BRINKMANN CORPORATION MAKES NO OTHER EXPRESS WARRANTY.

THE IMPLIED WARRANTIES OF MERCHANTABILITY AND FITNESS FOR A PARTICULAR PURPOSE ARE LIMITED IN DURATION TO 1-YEAR FROM THE DATE OF PURCHASE. SOME STATES DO NOT ALLOW LIMITATIONS ON HOW LONG AN IMPLIED WARRANTY LASTS, SO THE ABOVE LIMITATION MAY NOT APPLY TO YOU.

ANY LIABILITY FOR INDIRECT, INCIDENTAL OR CONSEQUENTIAL DAMAGES ARISING FROM THE FAILURE OF THE 1 MILLION CANDLEPOWER 12-VOLT SPOTLIGHT TO COMPLY WITH THIS WARRANTY OR ANY IMPLIED WARRANTY IS EXCLUDED. CUSTOMER ACKNOWLEDGES THAT THE PURCHASE PRICE CHARGED IS BASED UPON THE LIMITATIONS CONTAINED IN THE WARRANTY SET OUT ABOVE. SOME STATES DO NOT ALLOW THE EXCLUSION OR LIMITATION OF INCIDENTAL OR CONSEQUENTIAL DAMAGES, SO THE ABOVE LIMITATION OR EXCLUSION MAY NOT APPLY TO YOU. THIS WARRANTY GIVES YOU SPECIFIC LEGAL RIGHTS, AND YOU MAY ALSO HAVE OTHER RIGHTS WHICH VARY FROM STATE TO STATE.



## Free Manuals Download Website

<http://myh66.com>

<http://usermanuals.us>

<http://www.somanuals.com>

<http://www.4manuals.cc>

<http://www.manual-lib.com>

<http://www.404manual.com>

<http://www.luxmanual.com>

<http://aubethermostatmanual.com>

Golf course search by state

<http://golfingnear.com>

Email search by domain

<http://emailbydomain.com>

Auto manuals search

<http://auto.somanuals.com>

TV manuals search

<http://tv.somanuals.com>