

Broil King®

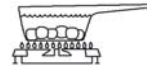
REDDI-BILT BARBECUES

ASSEMBLY MANUAL & PARTS LIST

MANUEL DE MONTAGE & LISTE DE PIÈCES



Broil King
CROWN 20 POST
946-28



Broil King
CROWN 40 POST
946-48



Broil King
CROWN 70 POST
946-78

RETAIN FOR FUTURE REFERENCE

VEUILLEZ CONSERVER POUR REFERENCE ULTERIEURE

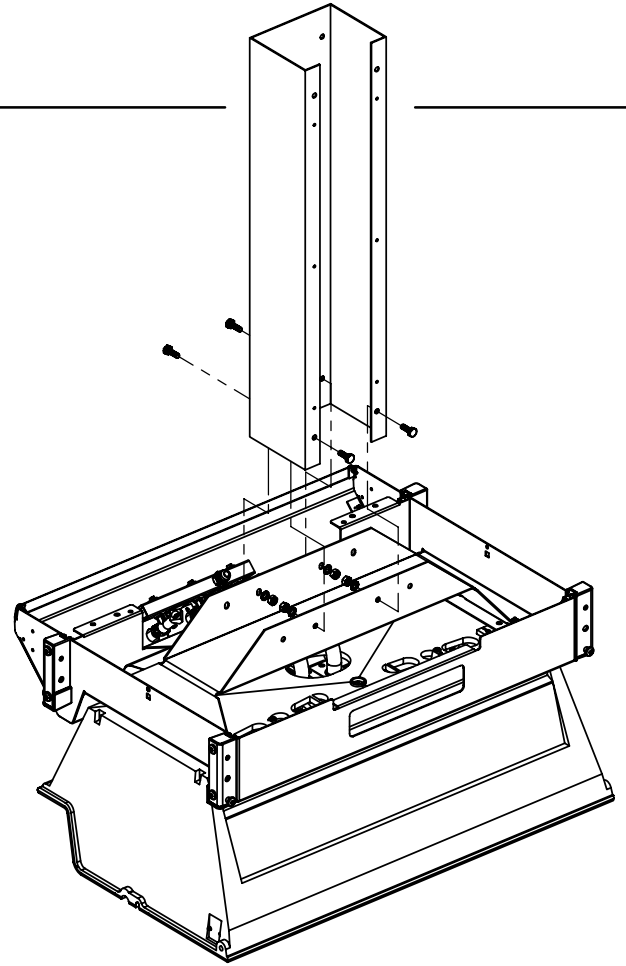
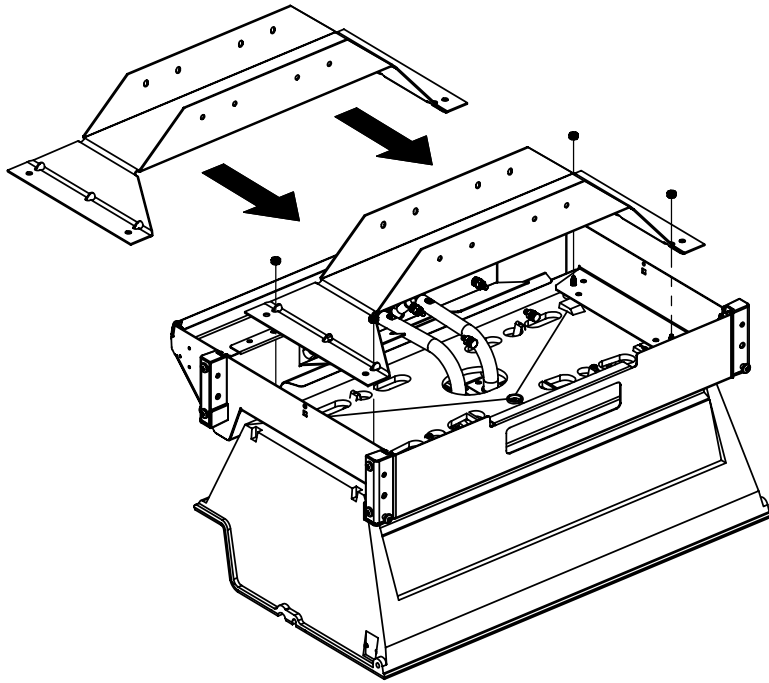
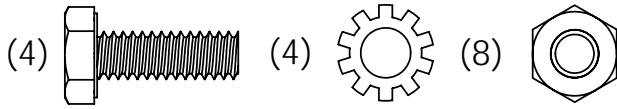
1-800-265-2150

info@omcbbq.com

Onward
MANUFACTURING COMPANY
SINCE 1906
585 KUMPF DRIVE LIMITED
WATERLOO, ONTARIO, CANADA
N2V 1K3

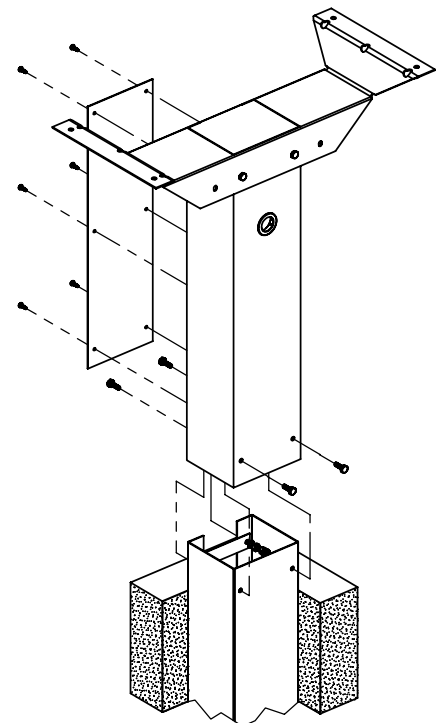
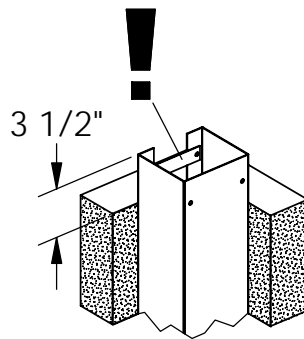
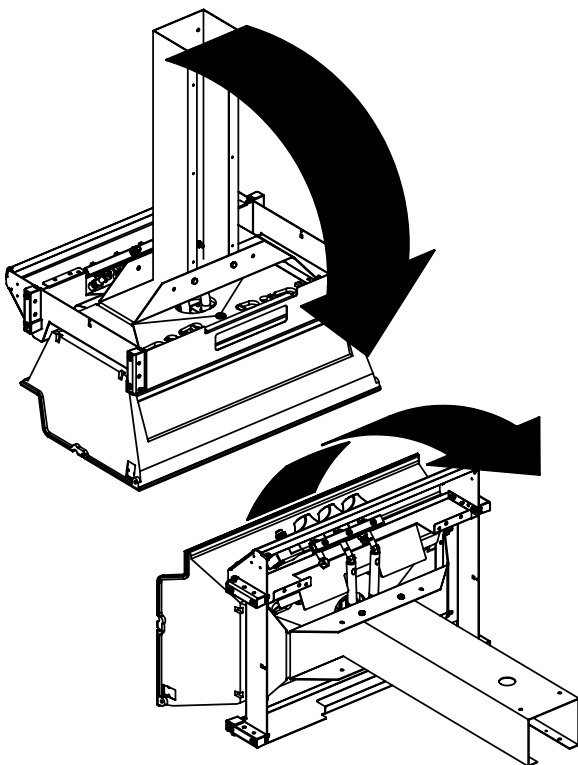
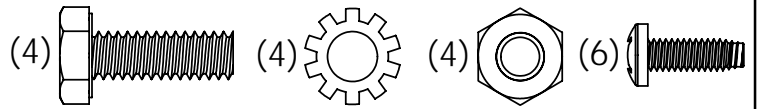
10084-K72 REV D 03/11

1



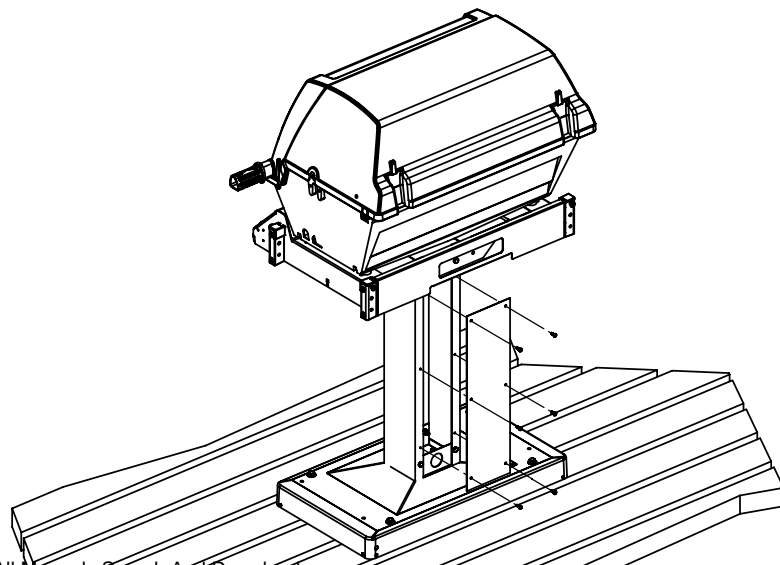
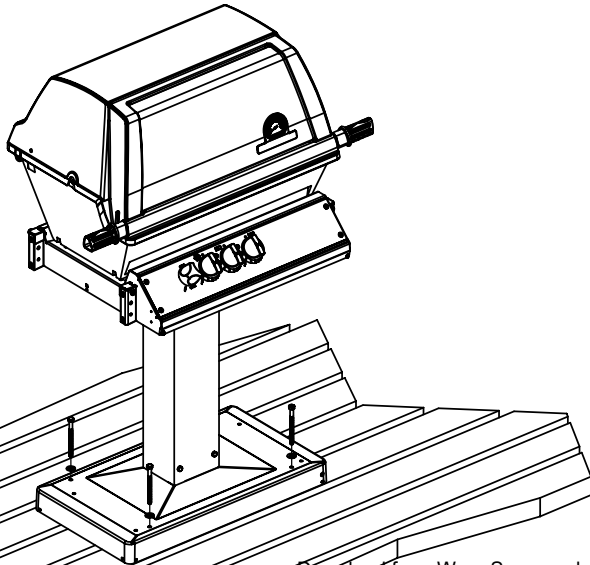
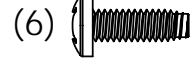
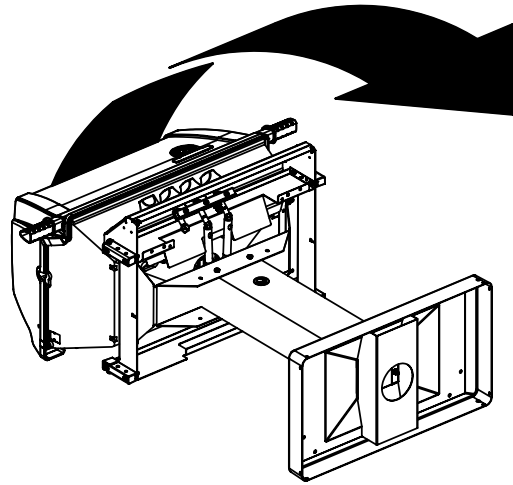
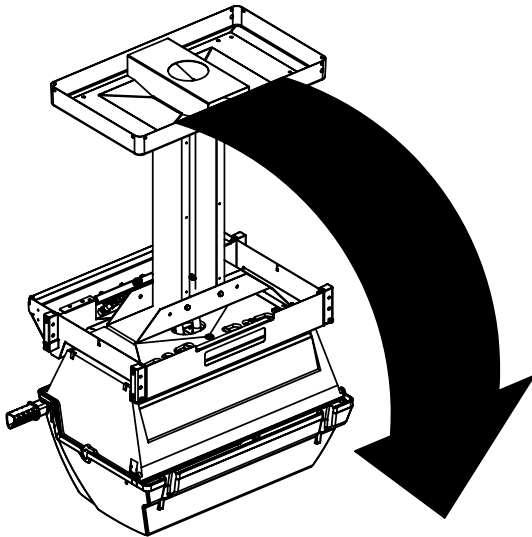
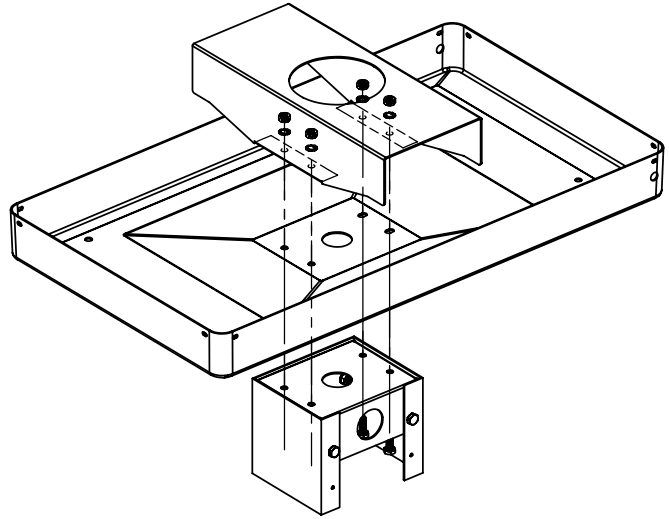
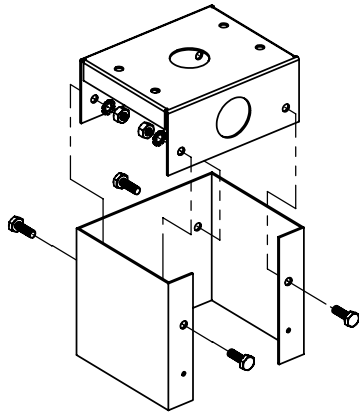
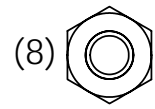
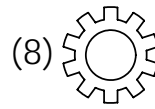
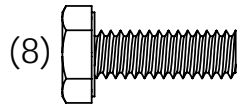
2

11240 INGROUND POST
(OPTIONAL)

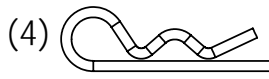
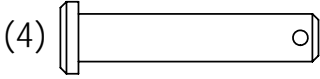


2

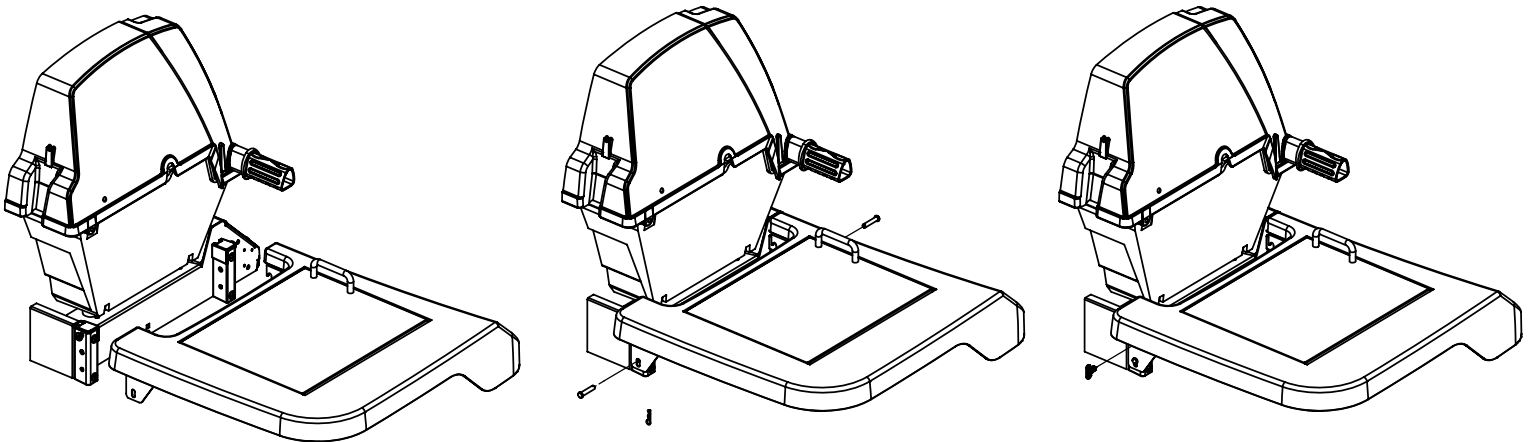
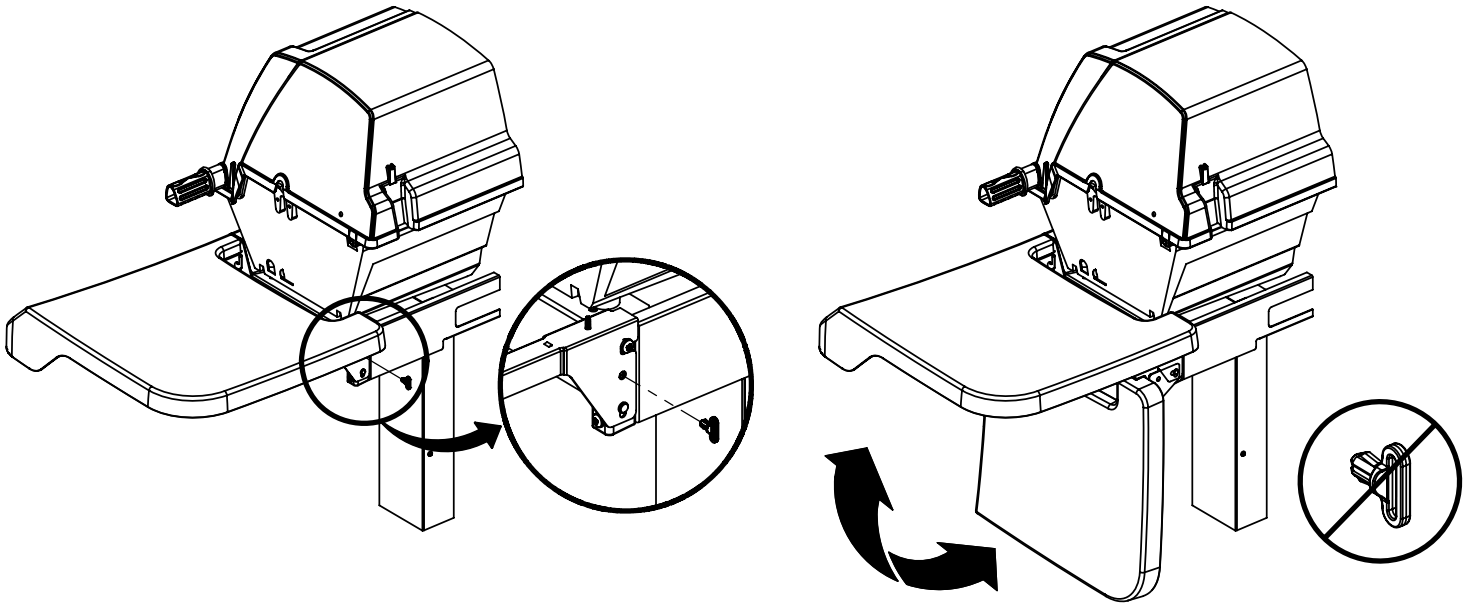
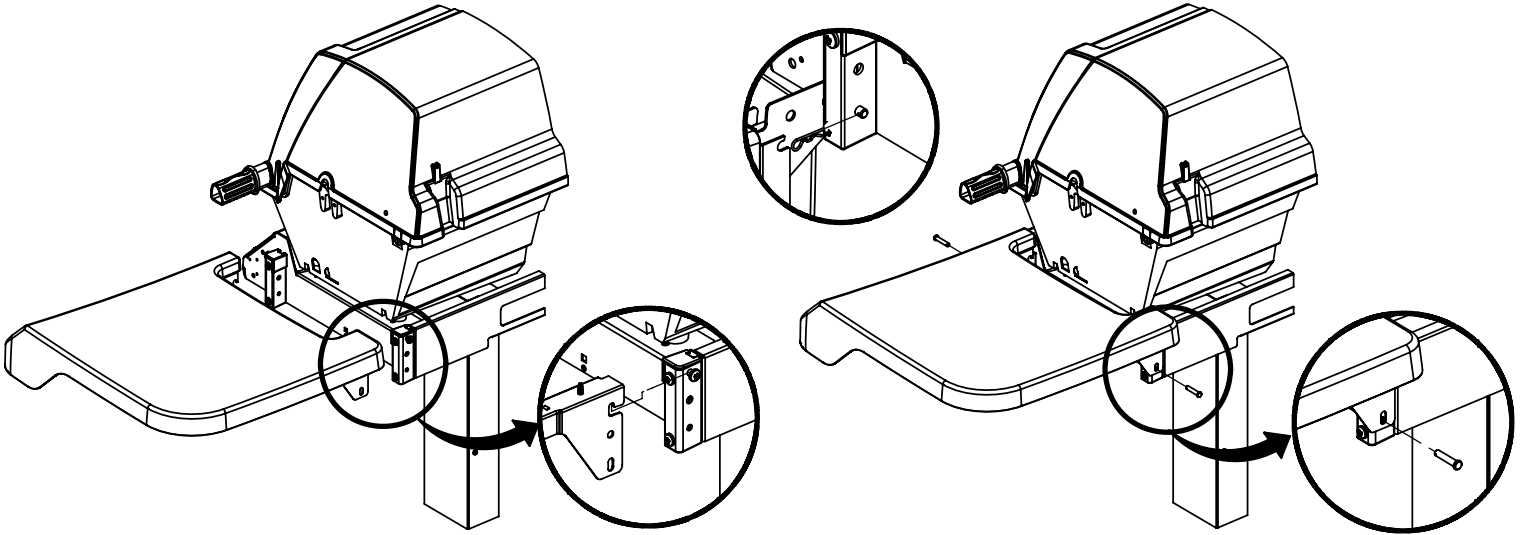
11300 DECK MOUNT
(OPTIONAL)



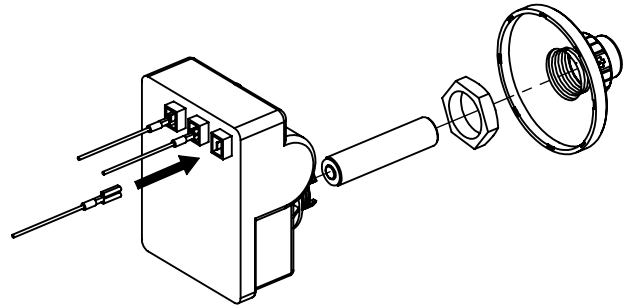
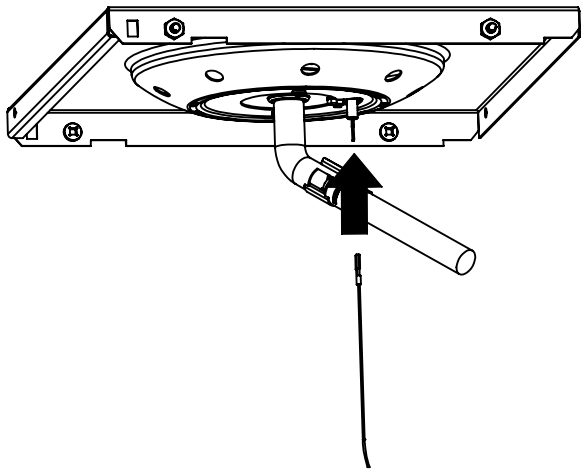
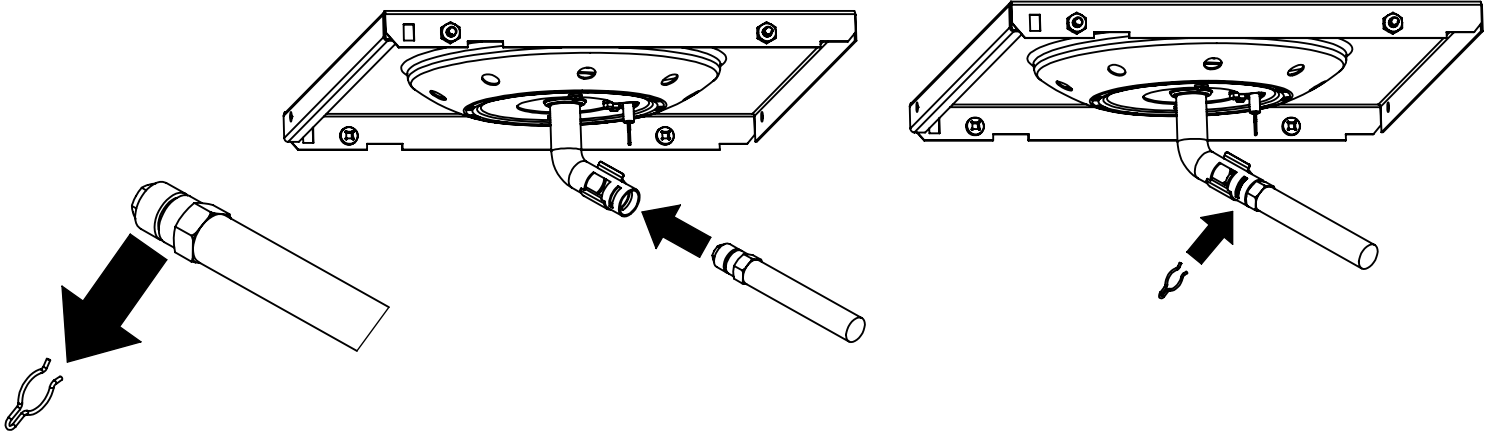
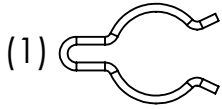
3



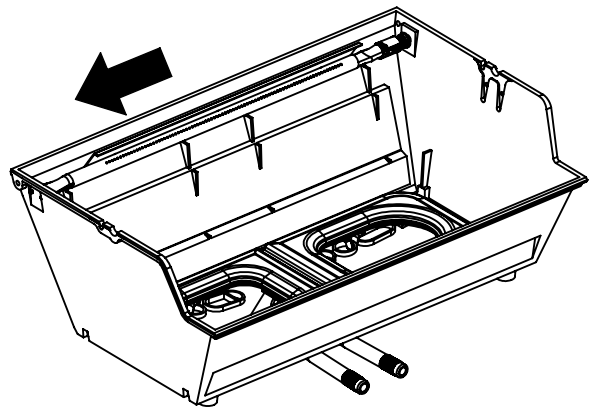
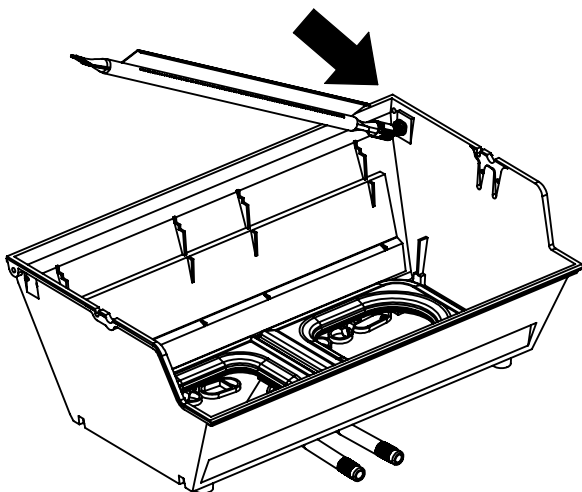
(2)



4

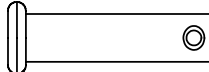


5

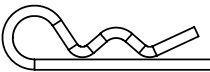


6

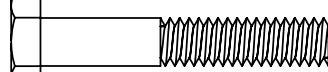
(2)



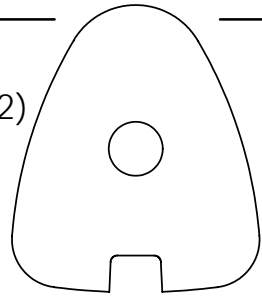
(2)



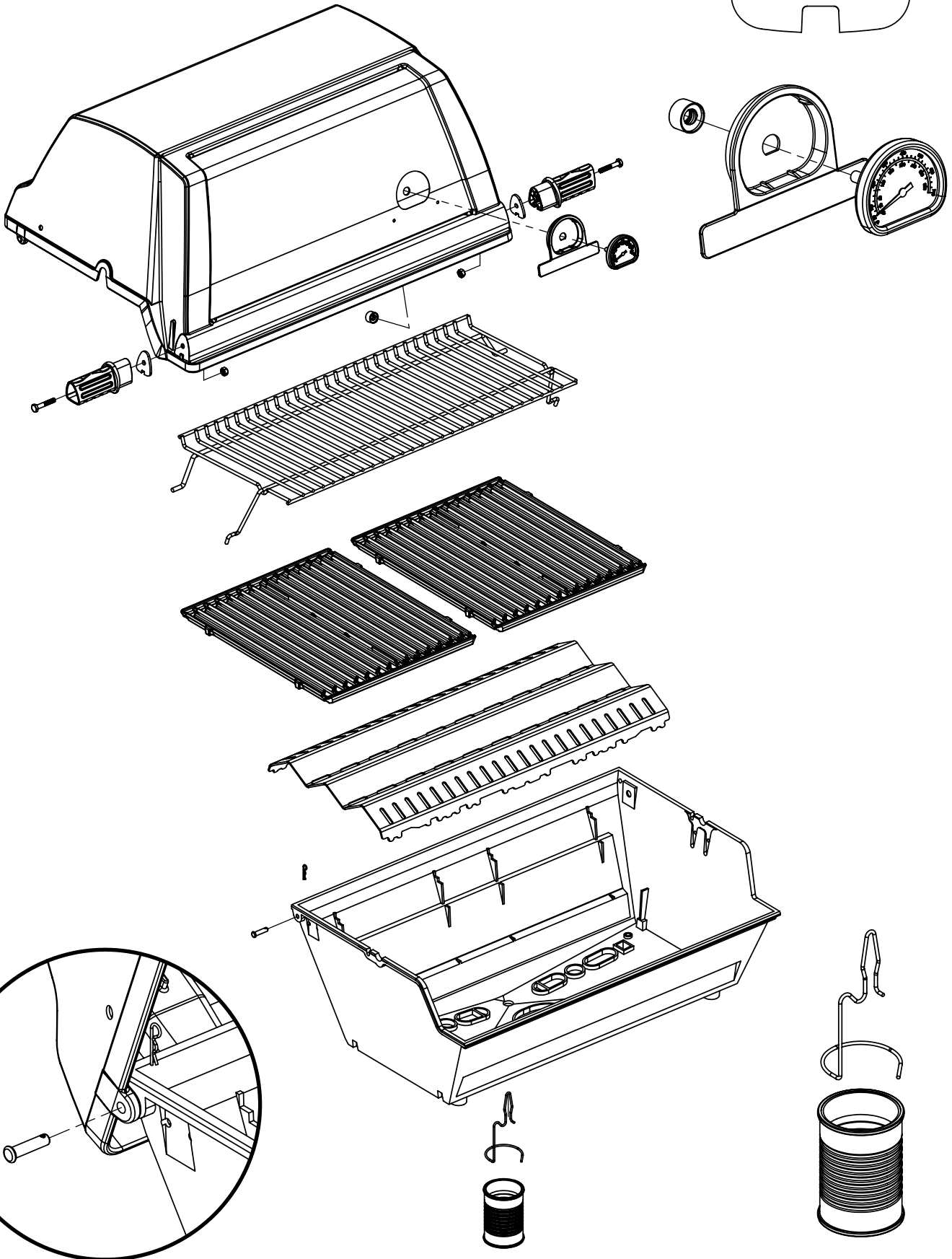
(2)



(2)



(2)



KEY	ITEM #	946-28	946-48	946-78
1	S11426	1	1	1
2	S11250	1	1	1
3	10081-BK603	1	1	1
4	10958-K69	1	1	1
5	10571-6	1	1	1
6	S21235	2	2	2
7	S21233	6	6	6
8	10222-T425	1	1	1
9	10225-T407	2	2	2
11	S12206	1	•	•
	S12207	•	1	1
15	10390-T501	1	1	1
17	10342-244	1	•	1
	10342-245	•	1	•
18	10342-T301	1	1	1
21	10440-T51	1	•	•
	10440-T61	•	•	1
	10442-T53	•	1	•
21A	S13467-160	•	1	•
	Y-11230	•	1	•
21B	10110-94	•	•	1
22	10111-K23	1	1	1
23	10472-K37	2	3	3
30	10086-E517	•	1	•
	10086-E519	•	•	1
31	10194-E501	•	1	1
	10194-E545	1	•	•
35	10184-E401	1	1	1
36	10184-E411	1	1	1
37	10184-E461	2	2	2
37A	10184-E63	2	2	2
38	10184-E471	2	2	2
38A	10184-E62	2	2	2
39	10956-E561	1	1	1
41	10956-E571	1	1	1
42	10958-K521	1	1	1
46	10958-K531	1	1	1
47	10958-K541	1	1	1
50	10711-E561	1	1	1
51	10711-E562	1	•	1
	10711-E563	•	1	•
62	10696-160	•	•	1
63	Y-11990	•	•	1
64	Y-12851	•	•	1
65	S13009	•	•	1
68	S21362	•	•	1
74	Y-6616	2	2	2
75	10338-145	2	2	2
76	10239-7	2	2	2
77	S15111	1	1	1
79	Y-11561	8	8	8
80	Y-11546	4	4	4
81	Y-11545	4	4	4
82	Y-12673	2	2	2
83	S21014	12	12	12
84	Y-12220	1	1	1
85	Y-11211	12	12	12
86	10240-15	4	4	4
87	Y-11793	26	26	26
98	S21124	26	26	26
99	Y-12646	•	2	•
104	Y-12835	•	2	•
105	Y-29307	•	4	•
108	PB20-60	•	1	•
109	S21136	1	3	1
110	10225-T09	•	1	•
111	10390-E10	•	1	•
113	10342-T14	•	1	•
114	10393-E401	•	1	•
115	Y-29304	2	8	4
117	10393-E62	•	1	•

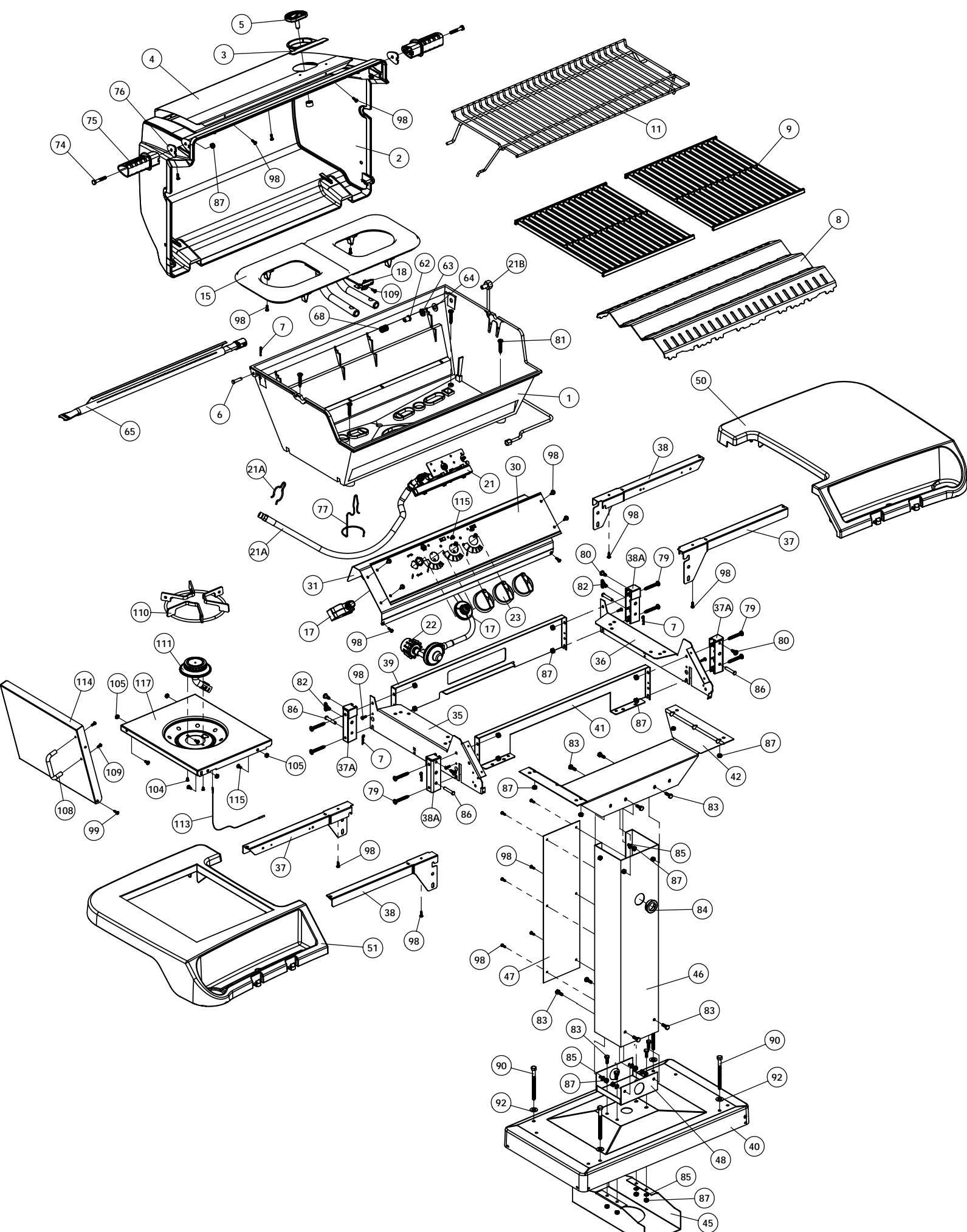
OPTIONAL

PATIO BASE ASSEMBLY 11300

40	10958-K811	1
45	10184-K801	1
48	10958-K561	1
83	S21014	4
85	Y-11211	4
87	Y-11793	4
90	Y-12286	4
92	Y-12851	4

POST EXTENSION ASSEMBLY 11240

43	10958-K55	1
83	S21014	2
87	Y-11793	2
88	10958-K58	1



Free Manuals Download Website

<http://myh66.com>

<http://usermanuals.us>

<http://www.somanuals.com>

<http://www.4manuals.cc>

<http://www.manual-lib.com>

<http://www.404manual.com>

<http://www.luxmanual.com>

<http://aubethermostatmanual.com>

Golf course search by state

<http://golfingnear.com>

Email search by domain

<http://emailbydomain.com>

Auto manuals search

<http://auto.somanuals.com>

TV manuals search

<http://tv.somanuals.com>