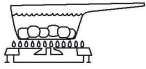


Broil King®

REDDI-BILT BARBECUES

ASSEMBLY MANUAL & PARTS LIST

MANUEL DE MONTAGE & LISTE DE PIÈCES



Broil King

IMPERIAL 490

9866-44

9866-47

IMPERIAL 90

9866-84

9866-87

RETAIN FOR FUTURE REFERENCE

VEUILLEZ CONSERVER POUR REFERENCE ULTERIEURE

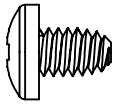
1-800-265-2150

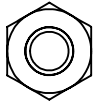
info@omcbbq.com

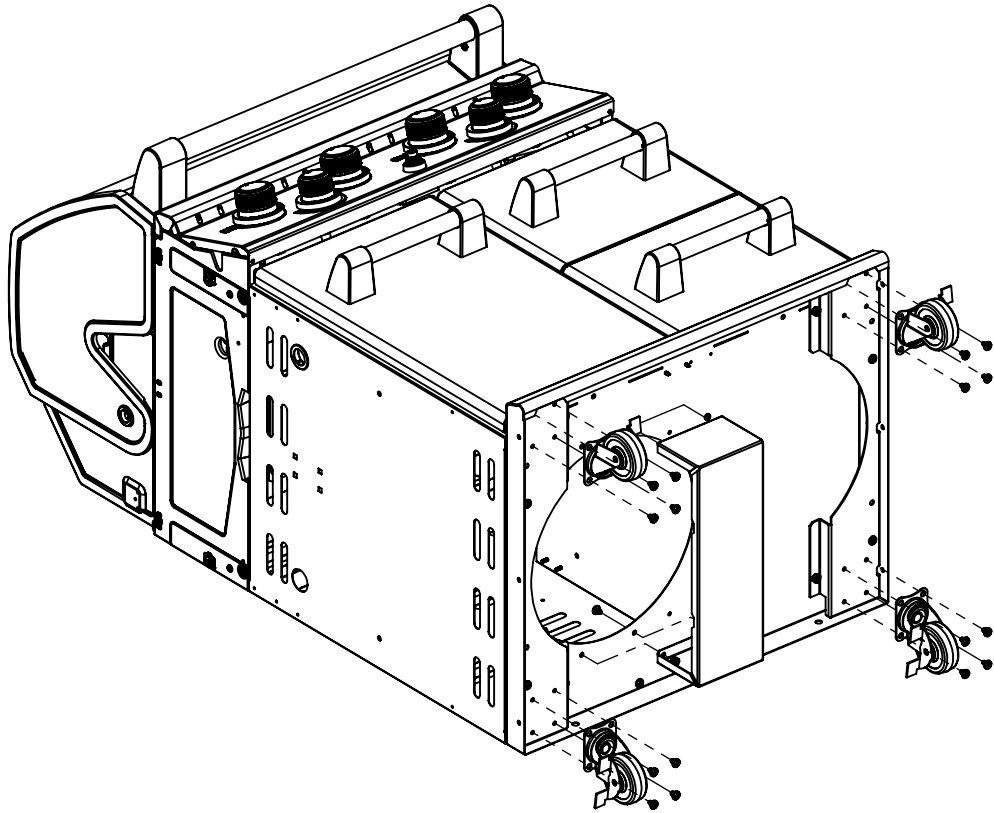
Onward
MANUFACTURING COMPANY
SINCE 1906
585 KUMPF DRIVE LIMITED
WATERLOO, ONTARIO, CANADA
N2V 1K3

20084-E63 REV B 01/10

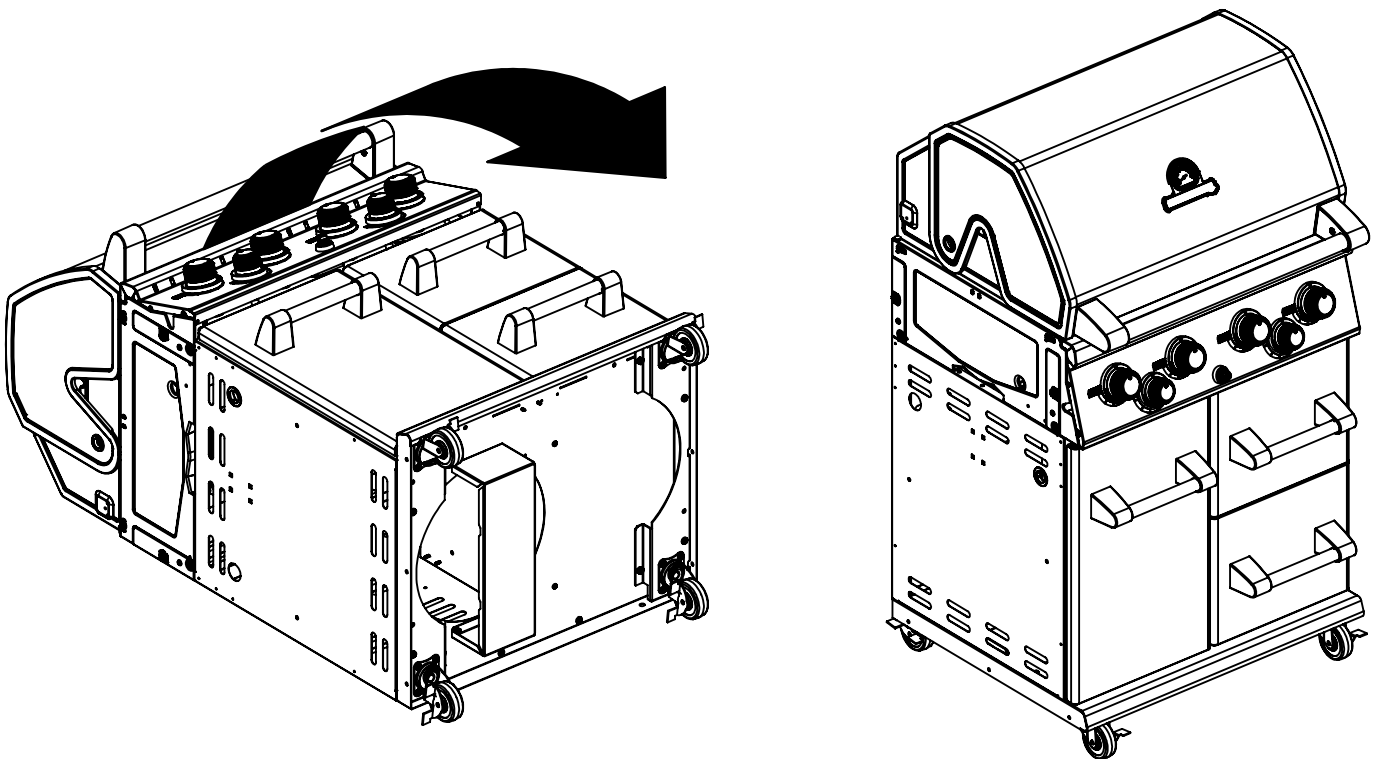
1

(20) 

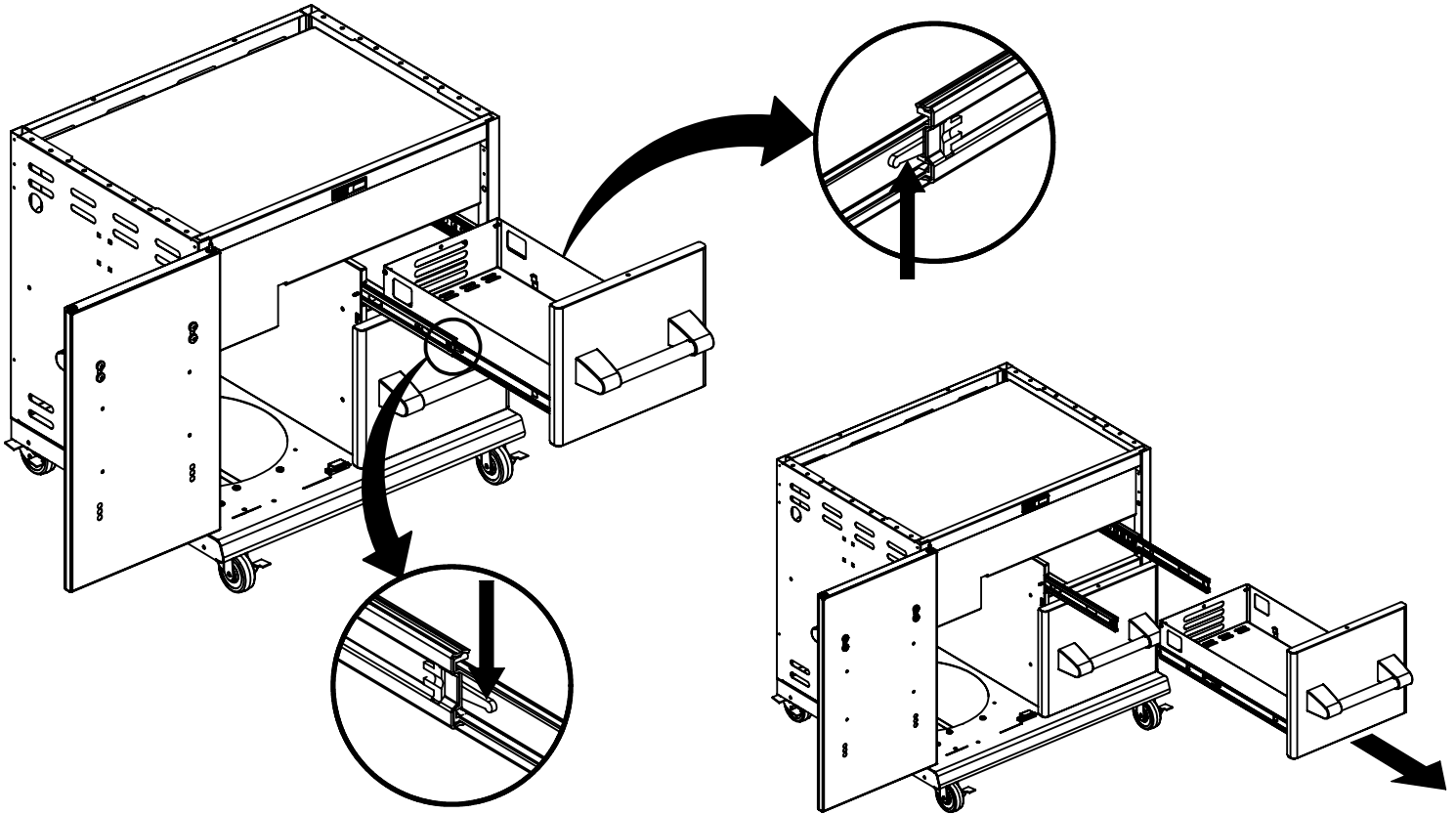
(4) 



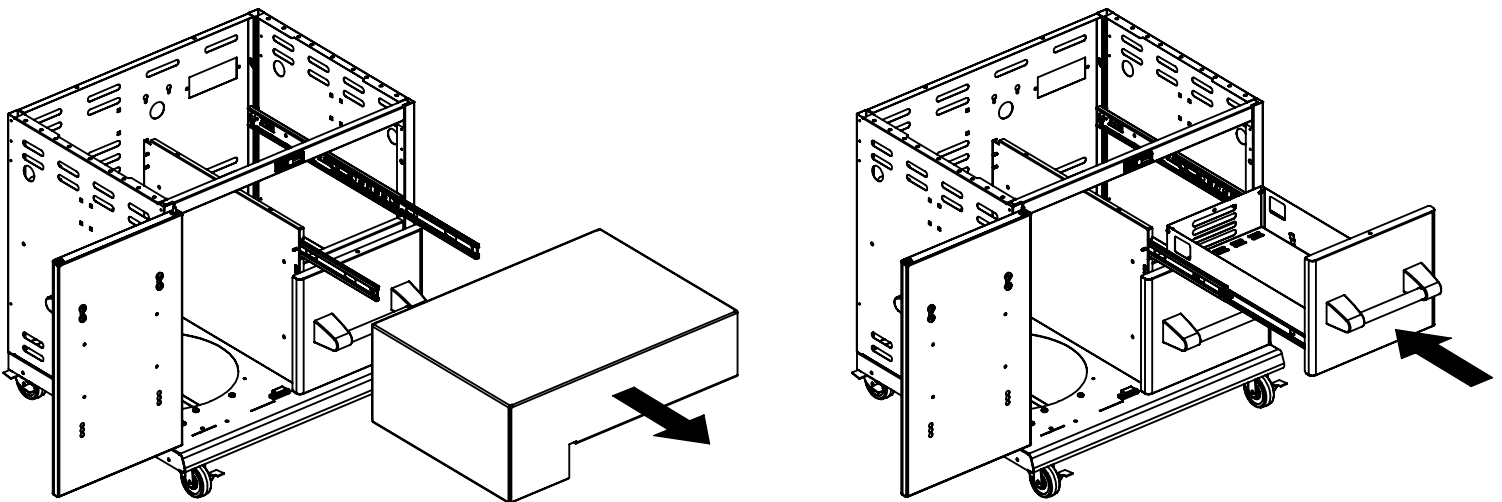
2



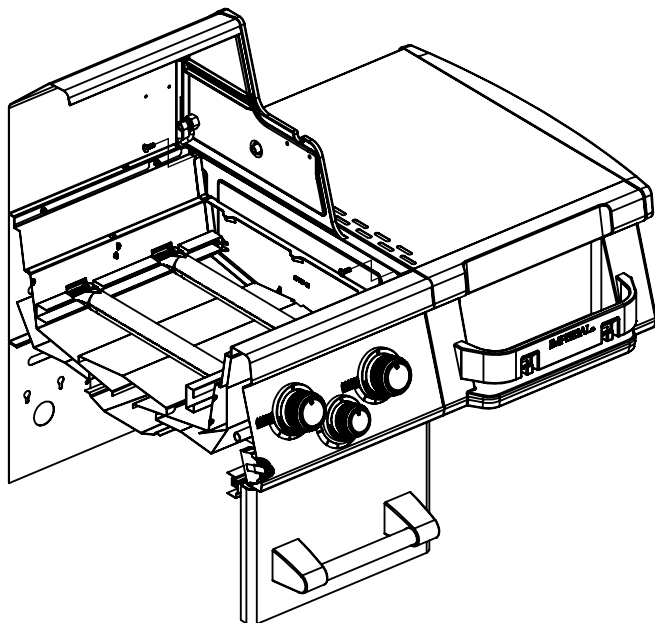
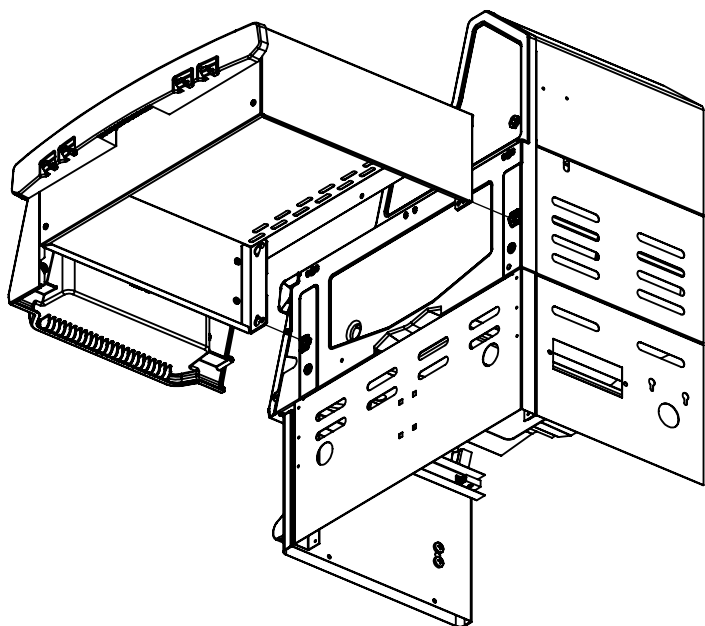
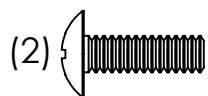
3



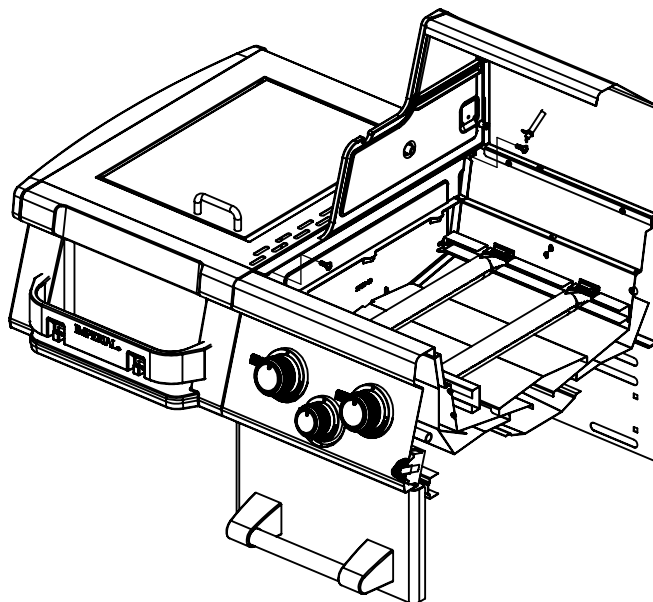
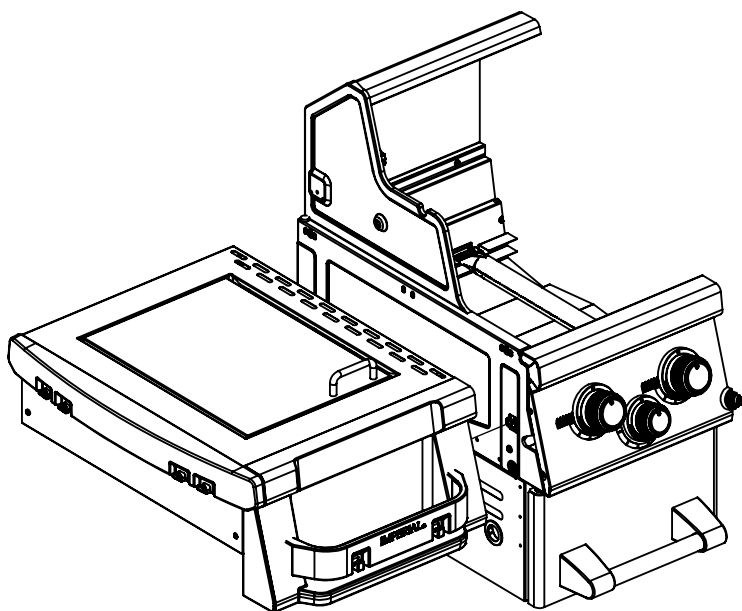
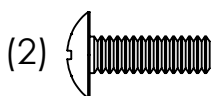
4



5

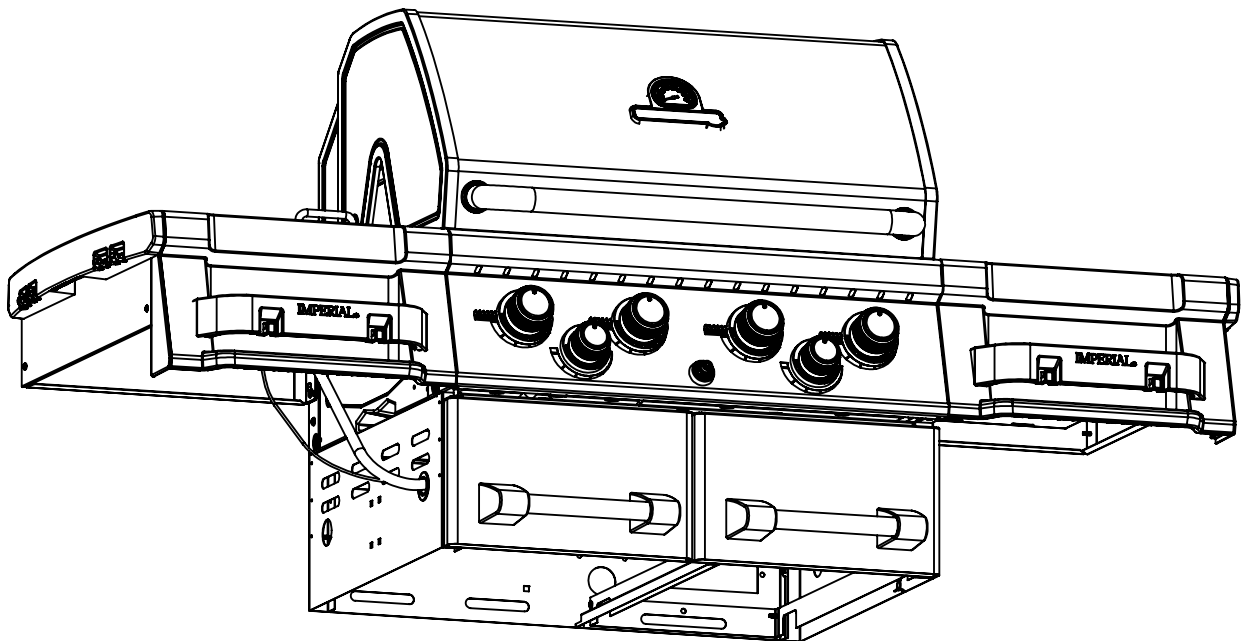
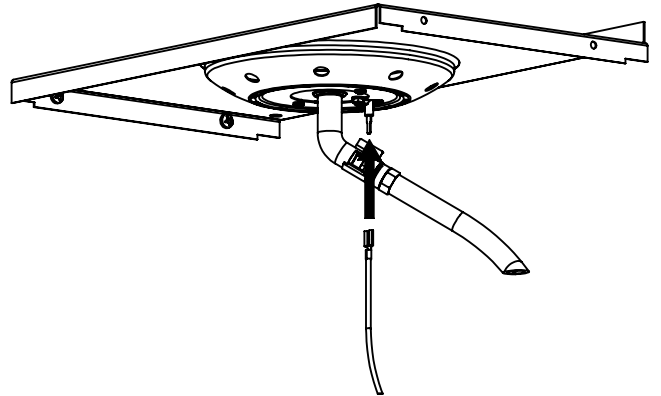
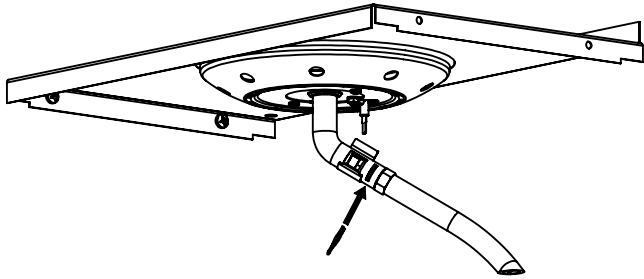
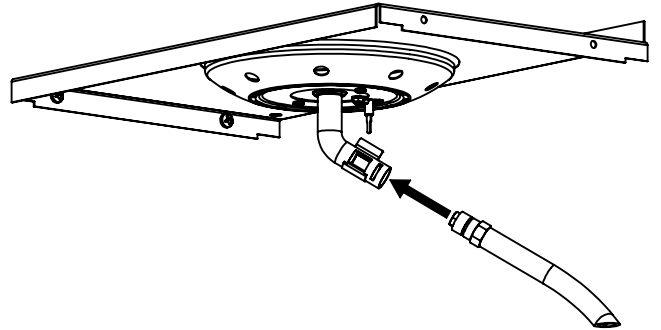
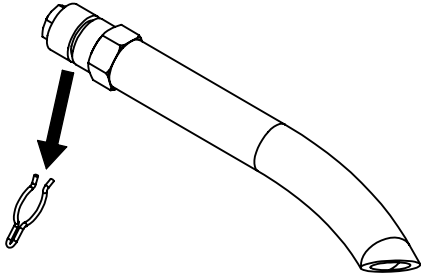
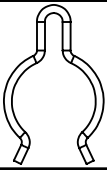


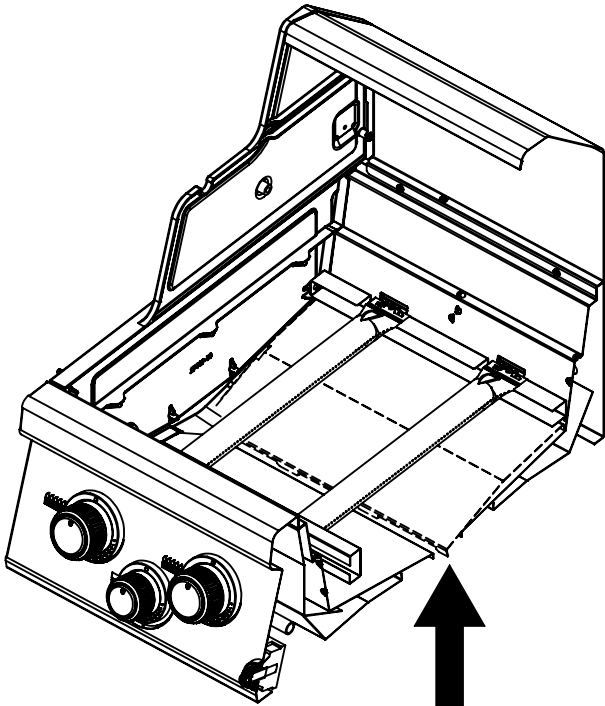
6



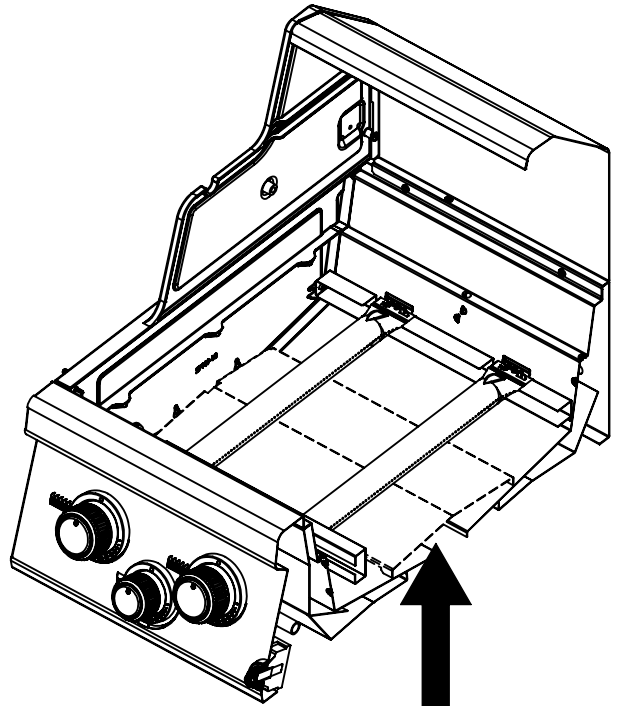
7

(1)

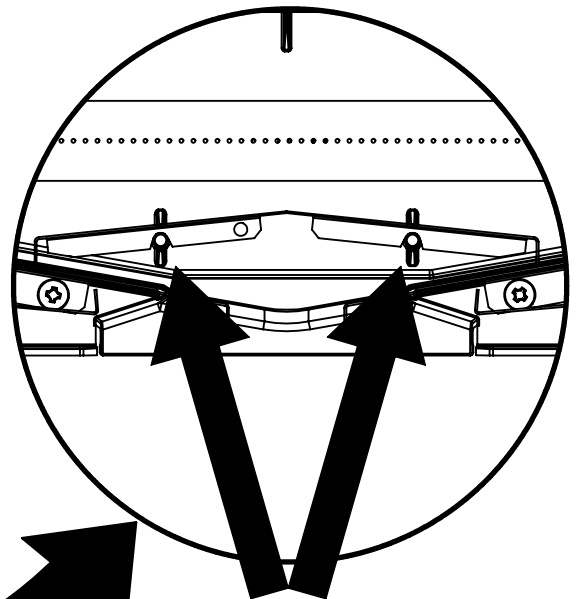
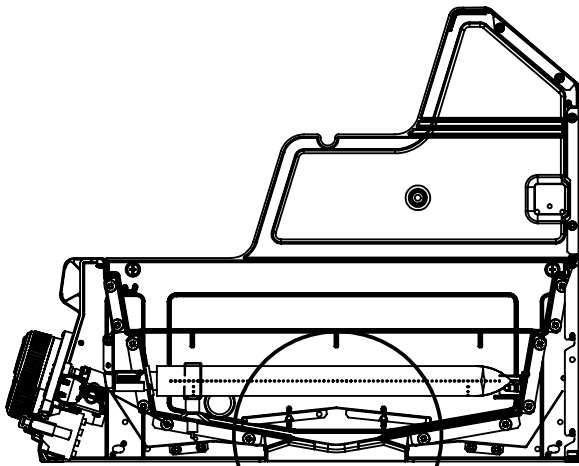




! X

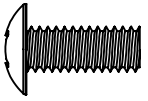
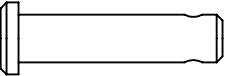
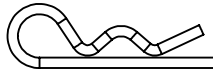


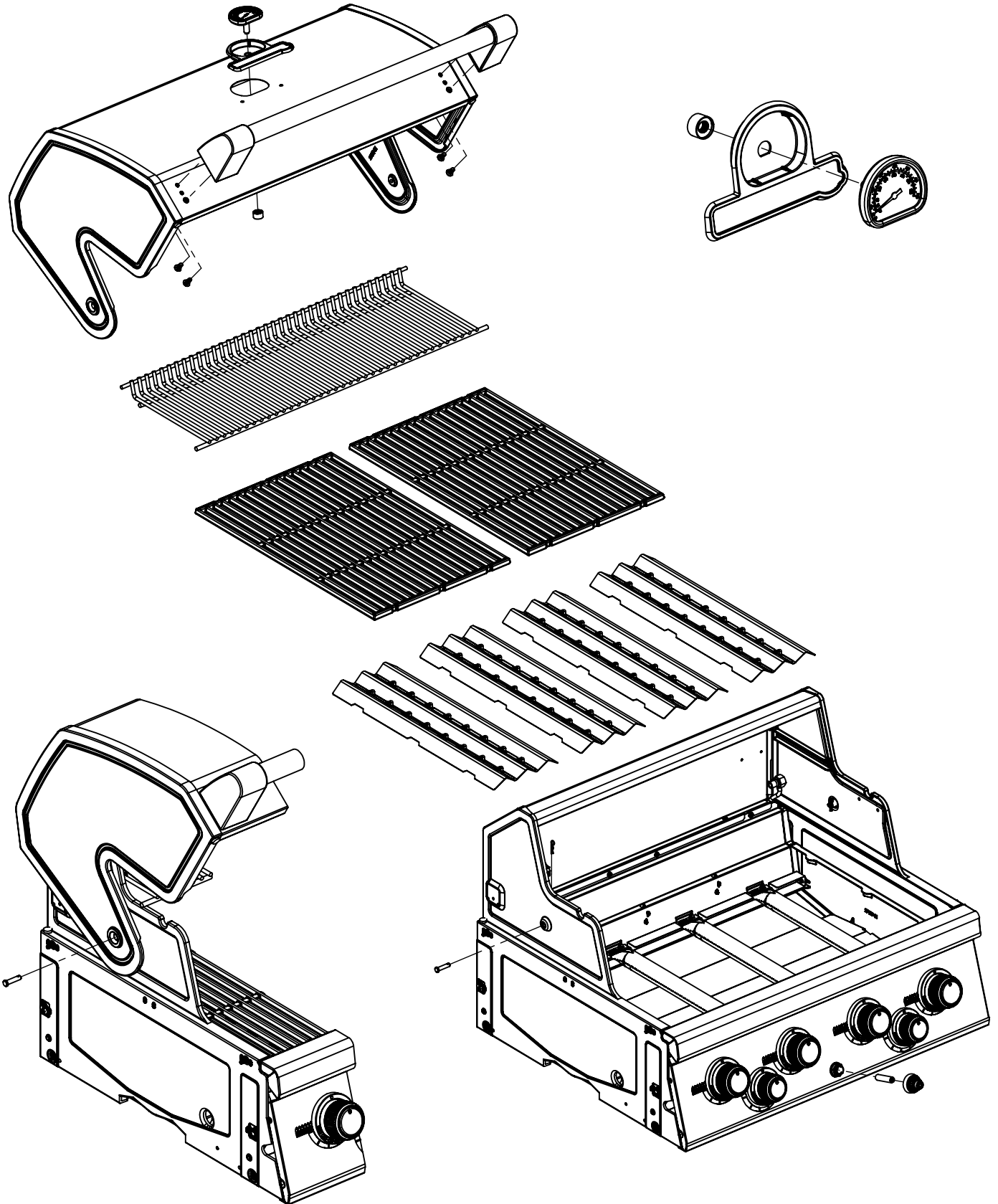
! ✓



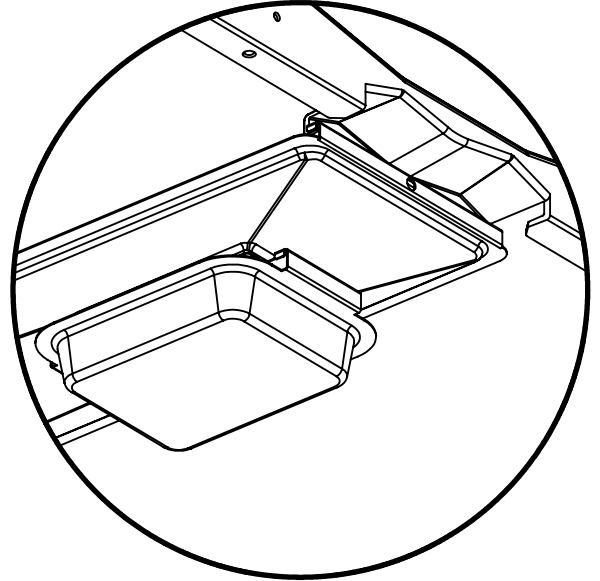
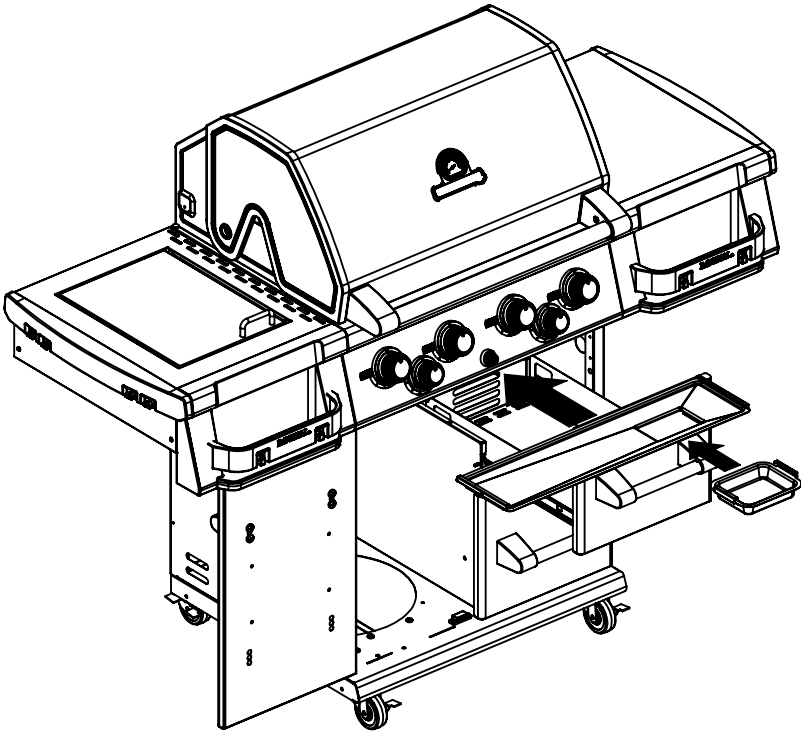
! ✓

9

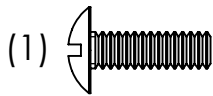
- (4)  (2)  (2) 



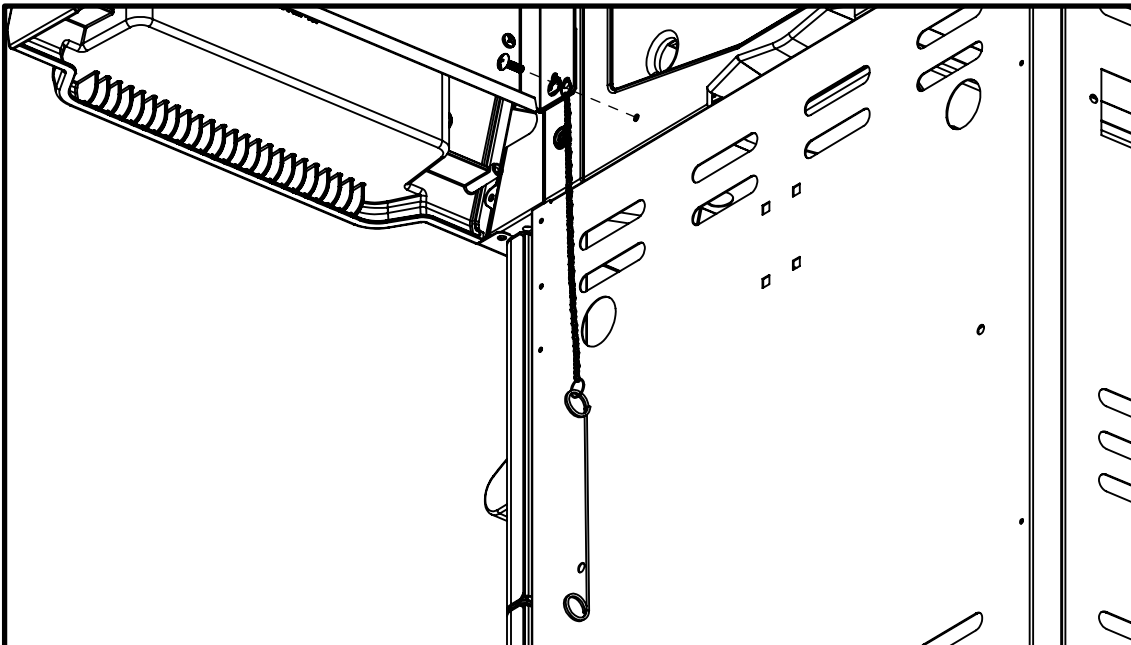
10

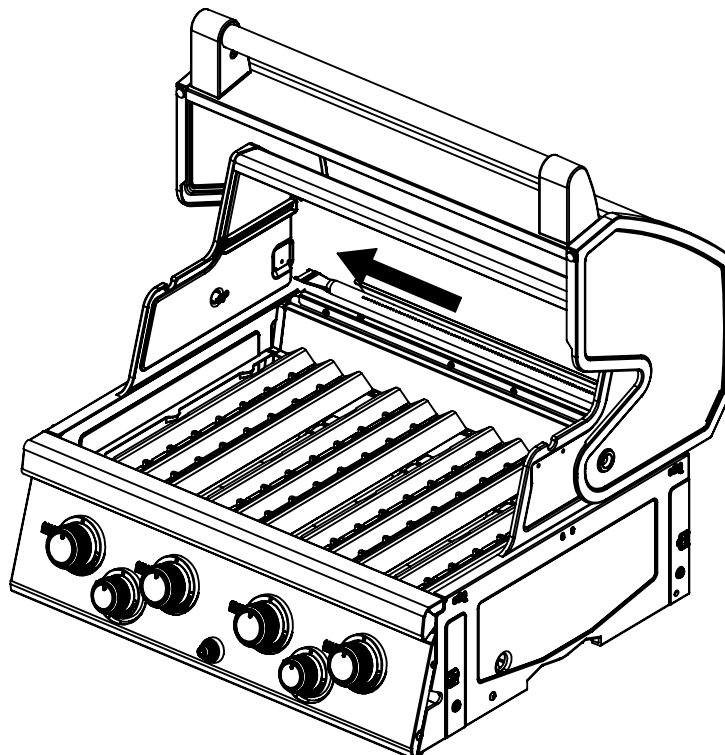
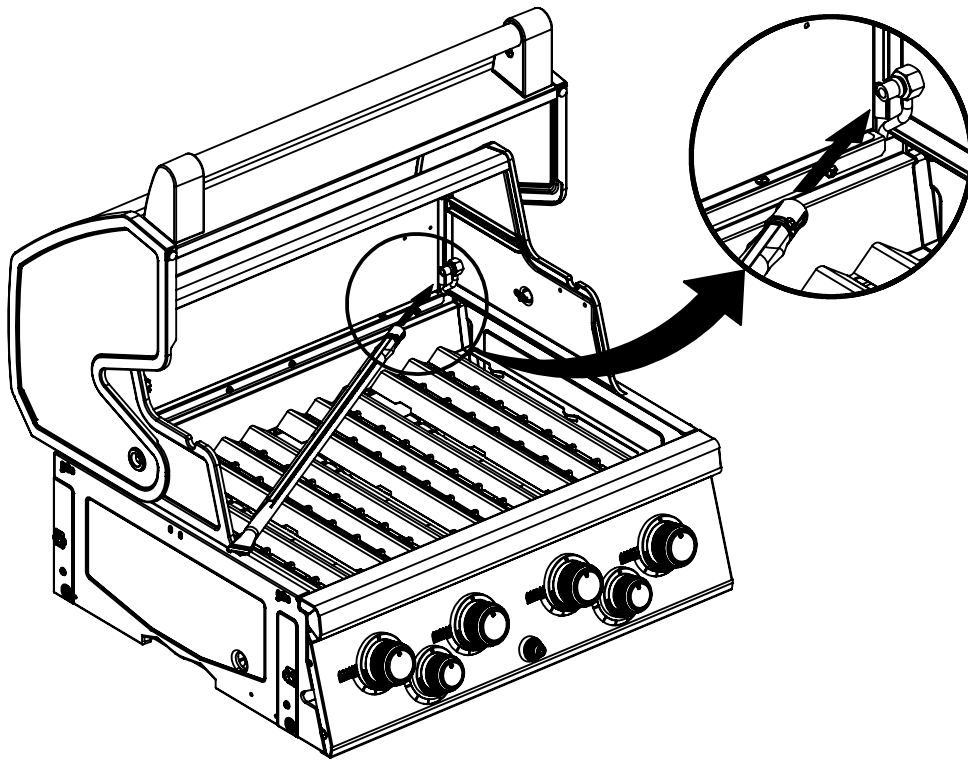


11

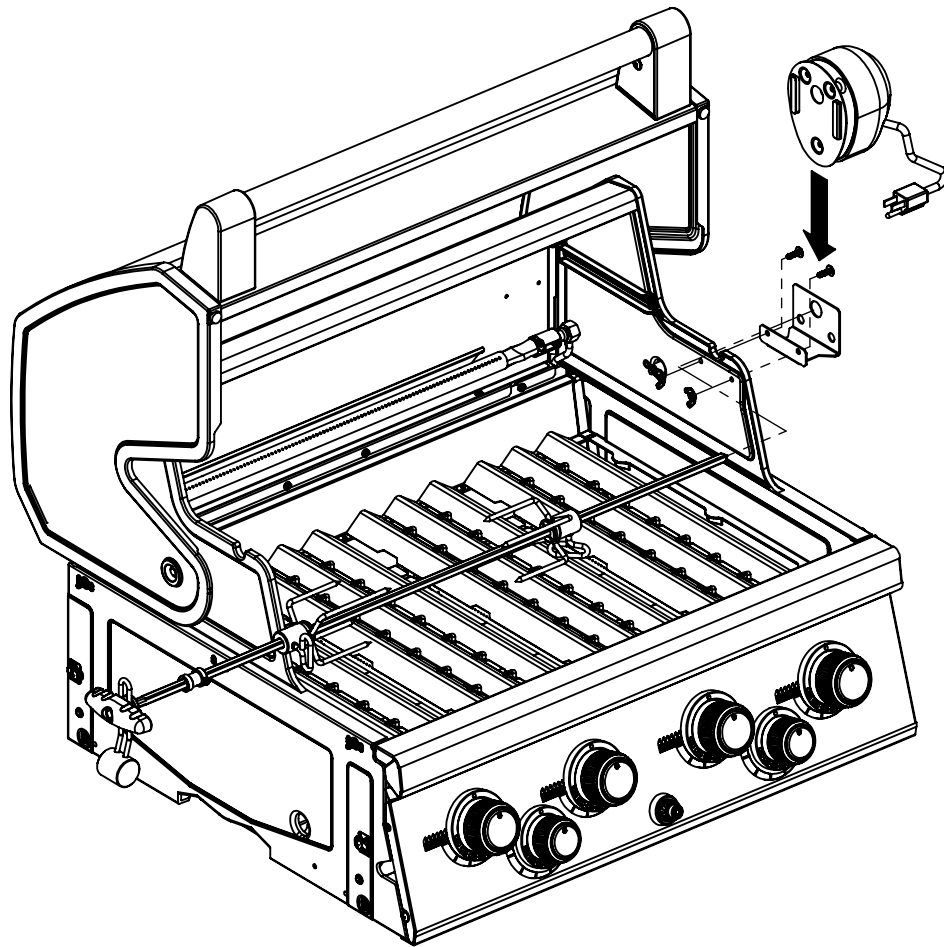
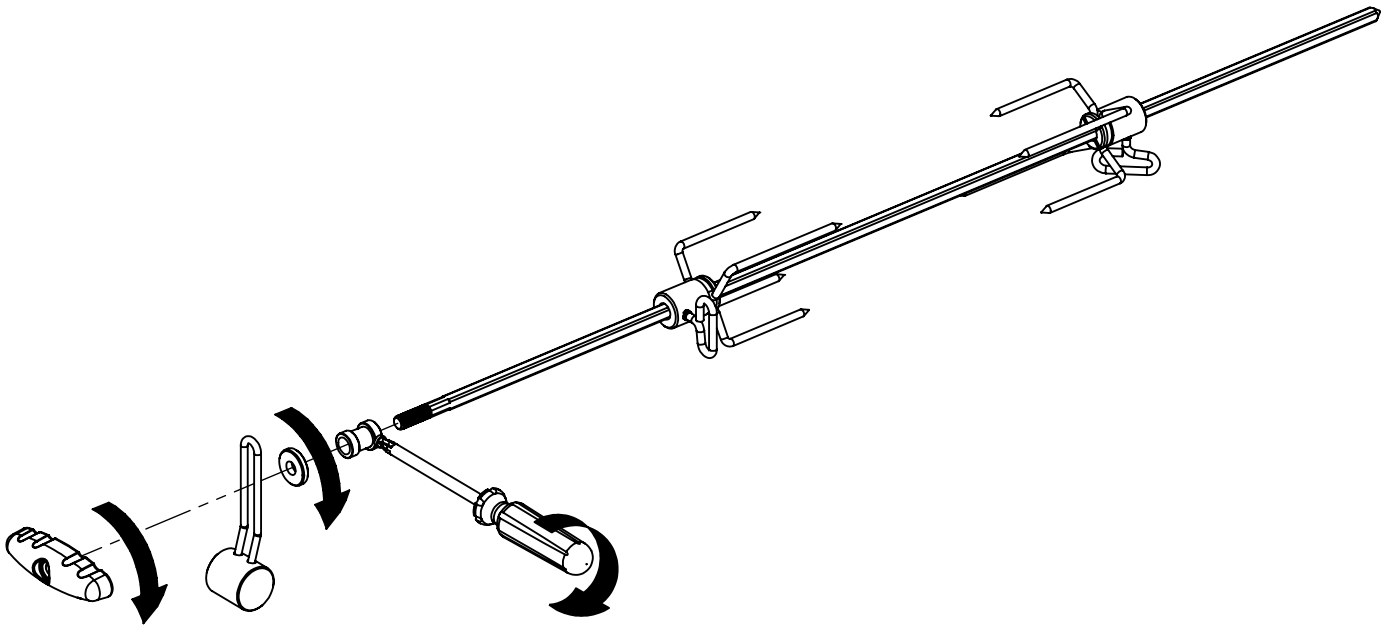
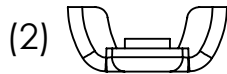
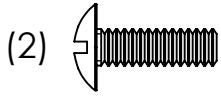


(1)

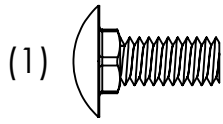




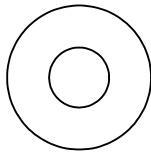
13



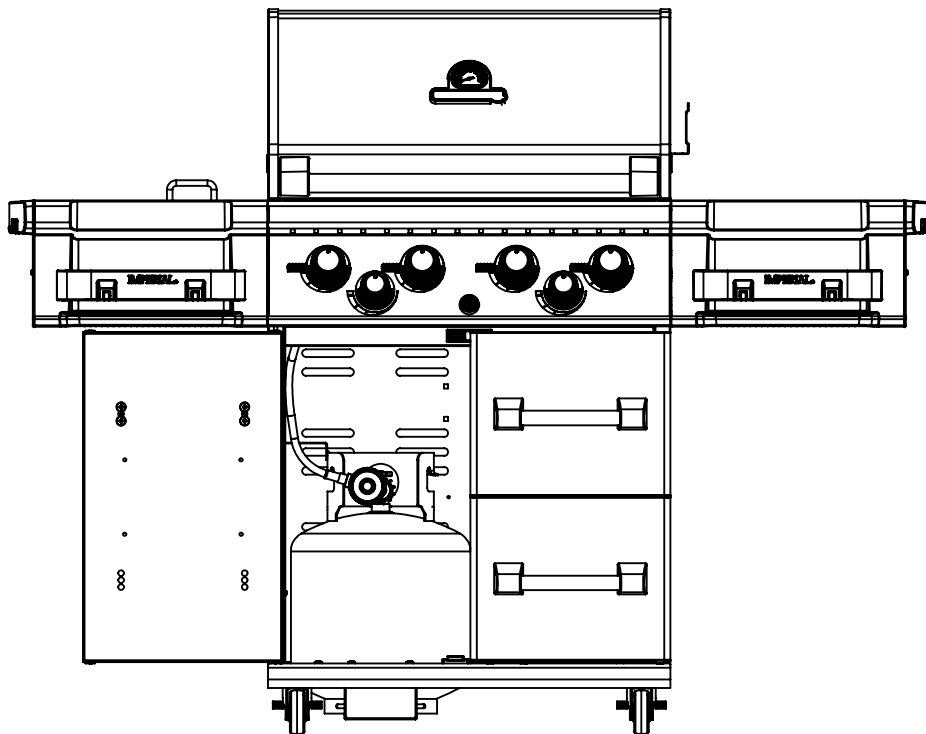
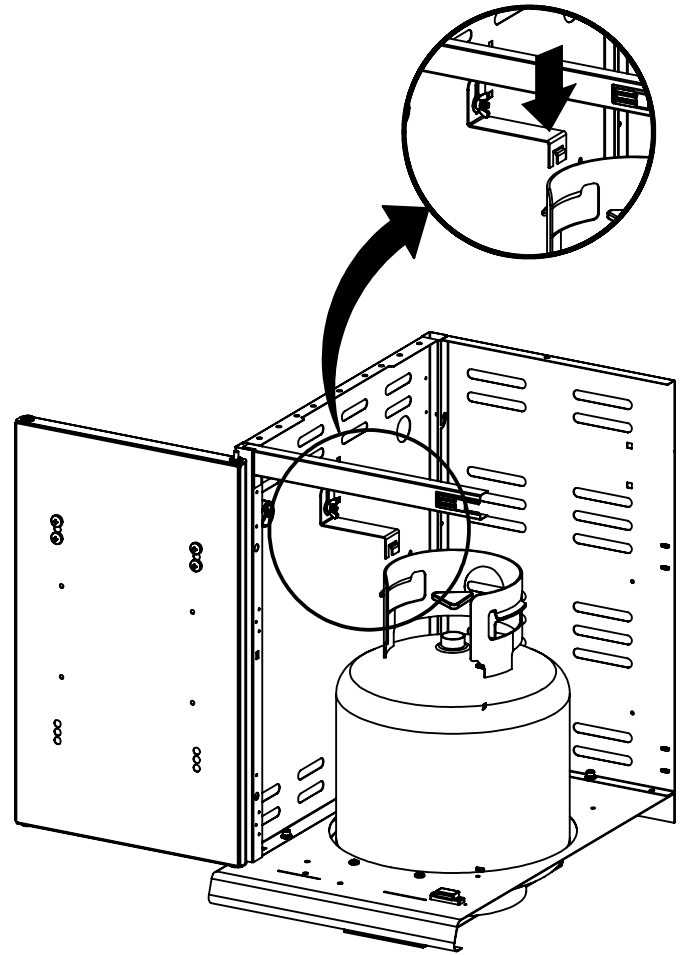
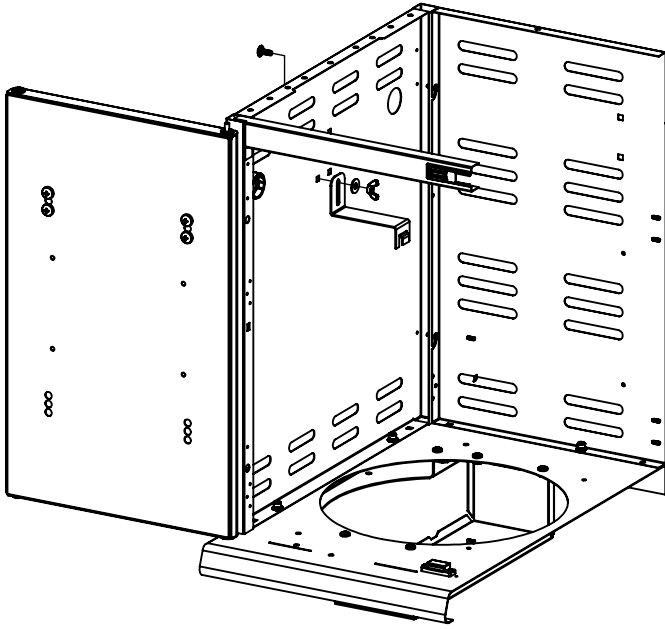
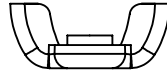
14



(1)



(1)

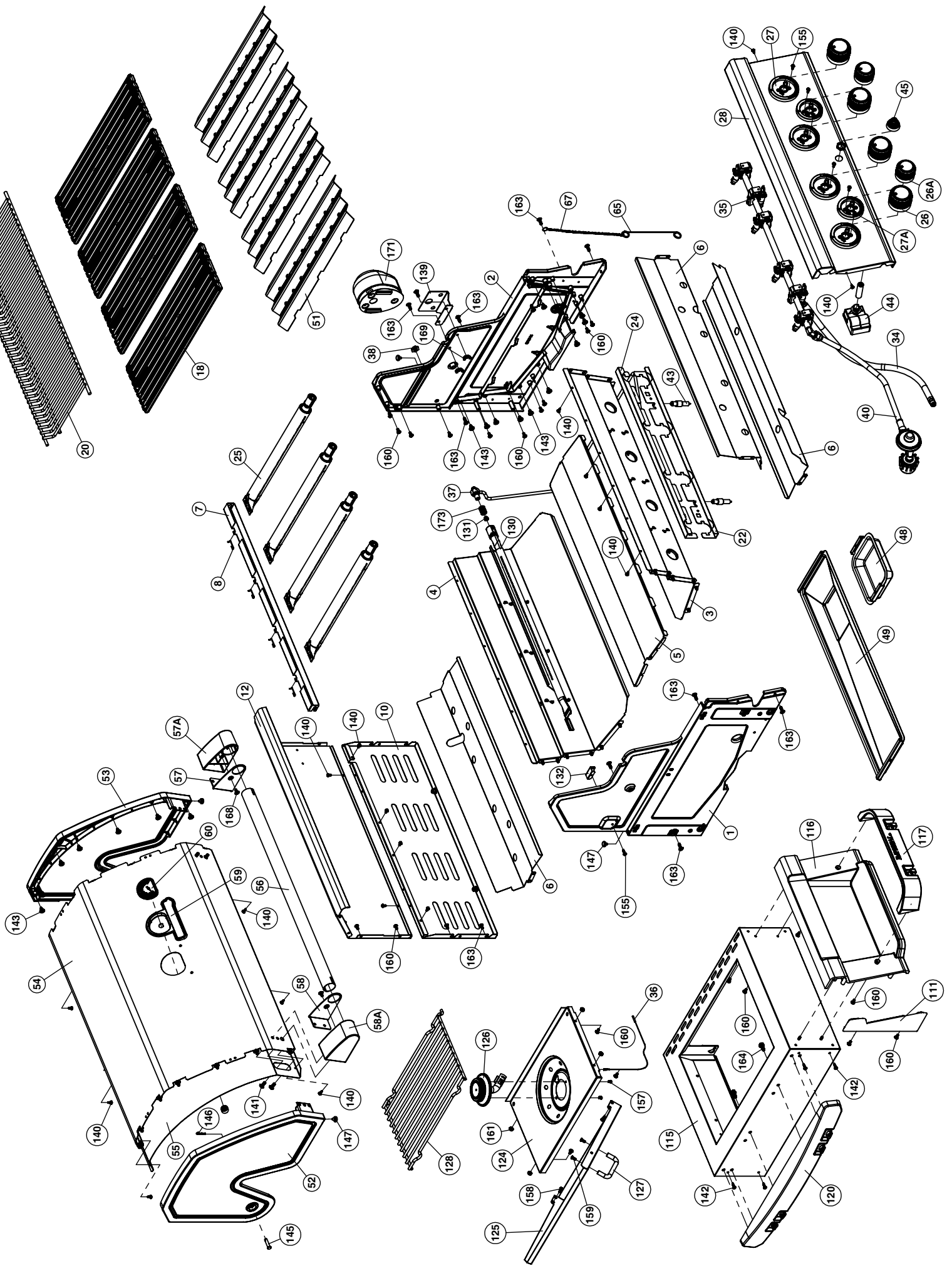


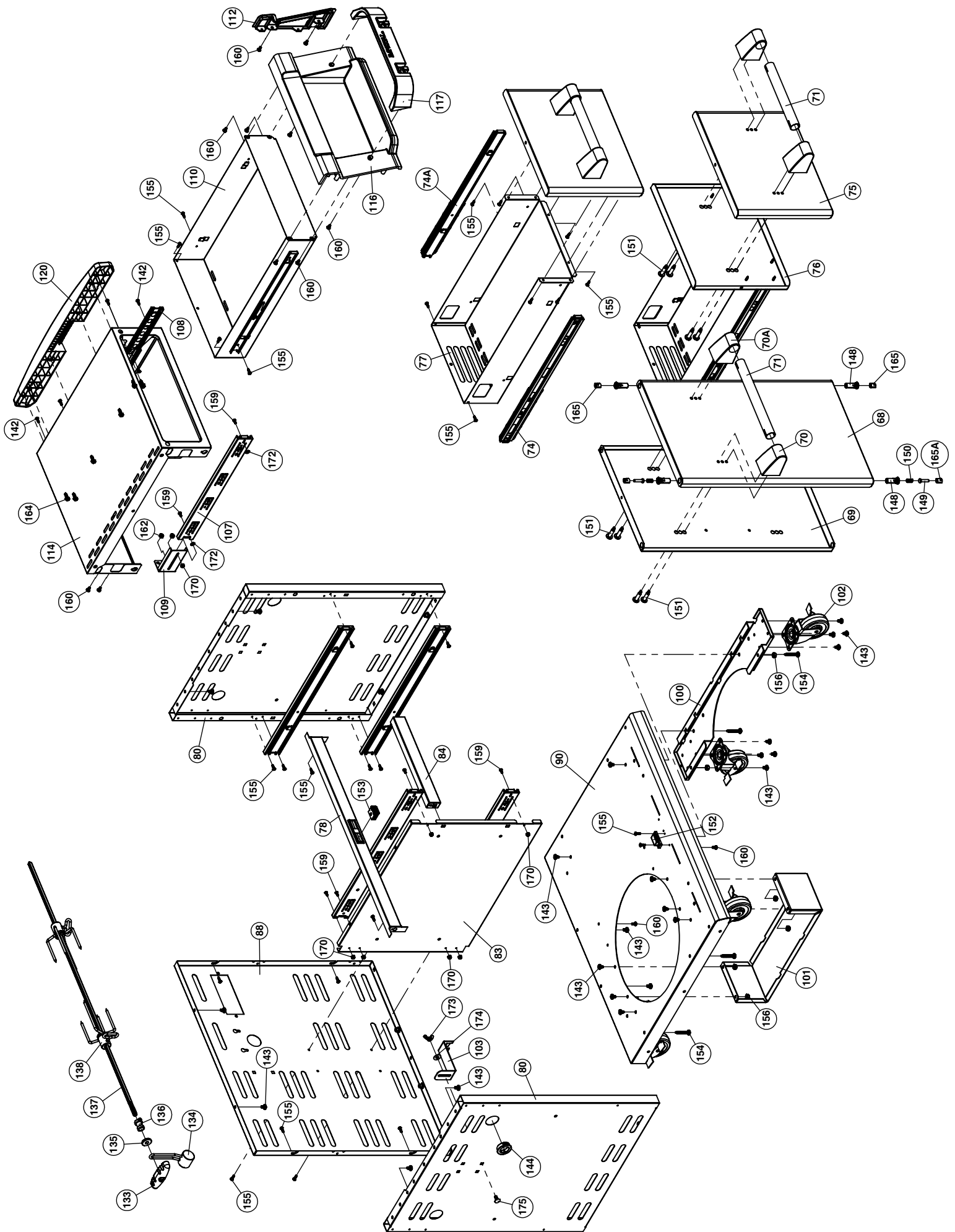
PARTS LIST / LISTE DES PIÈCES

| KEY # | ITEM # | DESCRIPTION | DESCRIPTION | 9866-44 | 9866-47 | 9866-84 | 9866-87 |
|-------|-------------|-----------------------------|-------------------------------------|---------|---------|---------|---------|
| 1 | 27109-131 | PANEL - SIDE LEFT | PANNEAU - CÔTE GAUCHE | 1 | 1 | 1 | 1 |
| 2 | 27109-111 | PANEL - SIDE RIGHT | PANNEAU - CÔTE DROITE | 1 | 1 | 1 | 1 |
| 3 | 27205-014 | PANEL - FRONT INNER | PANNEAU FRONTAL ARRIERE | 1 | 1 | 1 | 1 |
| 4 | 27205-924 | PANEL - INNER REAR | PANNEAU INTERIEUR ARRIERE | 1 | 1 | 1 | 1 |
| 5 | 27245-904 | GREASE SHIELD | PROTECTION CONTRE LA GRAISSE | 1 | 1 | 1 | 1 |
| 6 | 27005-91 | HEAT SHIELD | PROTECTION CONTRE LA CHALEUR | 3 | 3 | 3 | 3 |
| 7 | 27235-024 | BURNER SUPPORT BRACKET | SUPPORT BRÛLEUR | 1 | 1 | 1 | 1 |
| 8 | S21232 | PUZZLE CLIP | CLIP DE FIXATION | 4 | 4 | 4 | 4 |
| 10 | 22305-024 | PANEL - REAR COOKBOX | PANNEAU - RECIPIENT | 1 | 1 | 1 | 1 |
| 12 | 22315-024 | PANEL - HOOD | PANNEAU DE LA CUVE | 1 | 1 | 1 | 1 |
| 18 | 22005-281 | GRID - PORCELAIN | GRILLE EN PORCELAINE | • | • | 4 | 4 |
| | 22005-284 | GRID - S.S. | GRILLE EN A.I. | 4 | 4 | • | • |
| 20 | 22005-991 | GRID - WARMING RACK | GRILLE - MAINTIEN AU CHAUD | 1 | 1 | 1 | 1 |
| 22 | 22225-014 | COLLECTOR BOX - FRONT LOWER | RECIPIENT - FRONTAL INFÉRIEUR | 1 | 1 | 1 | 1 |
| 24 | 22215-014 | COLLECTOR BOX - FRONT UPPER | RECIPIENT - FRONTAL SUPÉRIEUR | 1 | 1 | 1 | 1 |
| 25 | 22909-104LP | BURNER | BRÛLEUR | 4 | • | 4 | • |
| | 22909-104NG | | | • | 4 | • | 4 |
| 26 | 22001-768 | CONTROL KNOB | BOUTON DE CONTROLE | 4 | 4 | 4 | 4 |
| 26A | 22001-668 | CONTROL KNOB | BOUTON DE CONTROLE | 2 | 2 | 2 | 2 |
| 27 | 22002-268 | CONTROL BEZEL | MONTURE DE CONTROLE | 4 | 4 | 4 | 4 |
| 27A | 22001-168 | CONTROL BEZEL | MONTURE DE CONTROLE | 2 | 2 | 2 | 2 |
| 28 | 22005-474 | CONTROL COVER | PANNEAU DE CONTROLE | 1 | 1 | 1 | 1 |
| 34 | S13470-091 | HOSE-SIDE BURNER | TUYAU DU BRÛLEUR LATÉRAL | 1 | • | 1 | • |
| | S13470-132 | HOSE-SIDE BURNER | TUYAU DU BRÛLEUR LATÉRAL | • | 1 | • | 1 |
| 35 | 29005-074 | CONTROL ASSEMBLY | SOUPAPE | 1 | • | 1 | • |
| | 29005-077 | CONTROL ASSEMBLY | SOUPAPE | • | 1 | • | 1 |
| 36 | 10342-T18 | ELECTRODE - SIDE BURNER | ÉLECTRODE - BRÛLEUR DE CÔTÉ | 1 | 1 | 1 | 1 |
| 37 | 20809-957 | TUBE-REAR BURNER ASSY | TUBE DE BRÛLEUR ARRIÈRE | 1 | 1 | 1 | 1 |
| 38 | Y-11990 | HEX NUT | ÉCROU | 1 | 1 | 1 | 1 |
| 40 | 10114-20 | HOSE & REGULATOR | TUYAU ET REGULATEUR PL | 1 | • | 1 | • |
| | 10111-K45 | HOSE NATURAL GAS | TUYAU (GAZ NAUTREL) | • | 1 | • | 1 |
| 43 | 10342-E13 | ELECTRODE | ELECTRODE | 2 | 2 | 2 | 2 |
| 44 | 10342-246 | ELECTRONIC IGNITOR | ALLUMAGE ÉLECTRONIQUE | 1 | 1 | 1 | 1 |
| 45 | 20472-S39 | IGNITOR CAP | EMBOU D'ALLUMAGE | 1 | 1 | 1 | 1 |
| 48 | 22009-901 | GREASE PAN | CUVETTE A GRAISSE | 1 | 1 | 1 | 1 |
| 49 | 22055-901 | GREASE TRAY | PLATEAU A GRAISSE | 1 | 1 | 1 | 1 |
| 51 | 22209-904 | FLAV-R-WAVE ® | FLAV-R-WAVE ® | 4 | 4 | 4 | 4 |
| 52 | 26101-331 | SIDE PANEL - CRESENT LEFT | PANNEAU LATÉRAL - GAUCHE | 1 | 1 | 1 | 1 |
| 53 | 26101-311 | SIDE PANEL - CRESENT RIGHT | PANNEAU LATÉRAL - DROITE | 1 | 1 | 1 | 1 |
| 54 | 26305-302 | LID - OUTER PANEL | COUVERCLE - PANNEAU EXTERIEUR | • | • | 1 | 1 |
| | 26305-304 | | | 1 | 1 | • | • |
| 55 | 26205-904 | LID - INNER PANEL | COUVERCLE - PANNEAU INTERIEUR | 1 | 1 | 1 | 1 |
| 56 | 24005-234 | HANDLE | POIGNÉE | 1 | 1 | 1 | 1 |
| 57 | 24009-414 | HANDLE SEAT COVER - RIGHT | EMBOU POIGNÉE COUVERCLE - DROITE | 1 | 1 | 1 | 1 |
| 57A | 24009-417 | HANDLE SEAT - RIGHT | PLAQUE POIGNÉE DROITE | 1 | 1 | 1 | 1 |
| 58 | 24009-434 | HANDLE SEAT COVER - LEFT | EMBOU POIGNÉE COUVERCLE - GAUCHE | 1 | 1 | 1 | 1 |
| 58A | 24009-437 | HANDLE SEAT - LEFT | POIGNÉE DE LA TABLETTE GAUCHE | 1 | 1 | 1 | 1 |
| 59 | 10081-BK603 | NAMEPLATE | PLAQUE D'IDENTIFICATION | 1 | 1 | 1 | 1 |
| 60 | 10571-6 | HEAT INDICATOR | INDICATEUR DE CHALEUR | 1 | 1 | 1 | 1 |
| 65 | C12505 | MATCH LIGHT - STICK | ALLUMETTES | 1 | 1 | 1 | 1 |
| 67 | C12504 | MATCH LIGHT - CHAIN | ALLUMETTES | 1 | 1 | 1 | 1 |
| 68 | 21378-114 | DOOR | PORTE | 1 | 1 | 1 | 1 |
| 69 | 21275-105 | DOOR - INNER | PORTE INTÉRIEURE | 1 | 1 | 1 | 1 |
| 70 | 21079-236 | HANDLE END CAP - LEFT | PROTECTION BORD POIGNEE - GAUCHE | 3 | 3 | 3 | 3 |
| 70A | 21079-216 | HANDLE END CAP - RIGHT | PROTECTION BORD POIGNEE - DROITE | 3 | 3 | 3 | 3 |
| 71 | 21069-23 | HANDLE - SMALL | PETITE POIGNEE | 3 | 3 | 3 | 3 |
| 74 | Y-9998 | DRAWER SLIDE | GLISSIÈRE DE TIROIR | 2 | 2 | 2 | 2 |
| 74A | Y-9999 | DRAWER SLIDE | GLISSIÈRE DE TIROIR | 2 | 2 | 2 | 2 |
| 75 | 21365-904 | DRAWER FRONT - OUTER | PLAQUE FRONTALE DU TIROIR EXTERIEUR | 2 | 2 | 2 | 2 |
| 76 | 21265-905 | DRAWER FRONT - INNER | PLAQUE FRONTALE DU TIROIR INTERIEUR | 2 | 2 | 2 | 2 |
| 77 | 21269-905 | DRAWER | TIROIR | 2 | 2 | 2 | 2 |
| 78 | 21075-905 | BRACKET - DOOR CATCH | PARENTHÈSE - CROCHET DE PORTE | 1 | 1 | 1 | 1 |
| 80 | 21109-905 | SIDE PANEL | PANNEAU LATÉRALE | 2 | 2 | 2 | 2 |
| 83 | 21065-905 | DRAWER CENTER MOUNT | PLAQUE CENTRALE DE MONTAGE TIROIR | 1 | 1 | 1 | 1 |
| 84 | 21069-905 | DRAWER SUPPORT | SUPPORT TIROIR | 1 | 1 | 1 | 1 |
| 88 | 21305-925 | PANEL - REAR | PANNEAU - ARRIÈRE | 1 | 1 | 1 | 1 |
| 90 | 21795-945 | BASE | TABLETTE INFÉRIEURE | 1 | 1 | 1 | 1 |
| 100 | 21039-915 | BRACKET - CASTOR SUPPORT | SUPPORT DE ROULLETTE | 2 | 2 | 2 | 2 |
| 101 | 21039-305 | LOWER TANK SUPPORT | SUPPORT DU RÉSERVOIR INFÉRIEUR | 1 | 1 | 1 | 1 |

PARTS LIST / LISTE DES PIÈCES

| KEY # | ITEM # | DESCRIPTION | DESCRIPTION | 9866-44 | 9866-47 | 9866-84 | 9866-87 |
|-------|-----------|------------------------------|----------------------------------|---------|---------|---------|---------|
| 102 | 10892-25 | CASTOR | ROULETTES | 4 | 4 | 4 | 4 |
| 103 | 21009-905 | BRACKET – CYLINDER LP | SUPPORT DU RESERVOIR PL | 1 | • | 1 | • |
| 107 | Y-9995 | DRAWER SLIDE | GLISSIÈRE DE TIROIR | 1 | 1 | 1 | 1 |
| 108 | Y-9994 | DRAWER SLIDE | GLISSIÈRE DE TIROIR | 1 | 1 | 1 | 1 |
| 109 | 23062-07 | BRACKET - DRAWER SLIDE | CROCHET POUR CLISSIÈRE DE TIROIR | 2 | 2 | 2 | 2 |
| 110 | 23060-205 | DRAWER | TIROIR | 1 | 1 | 1 | 1 |
| 111 | 23502-431 | SHELF END CAP | PROTECTION POUR BORD PLANCHETTE | 1 | 1 | 1 | 1 |
| 112 | 23502-411 | SHELF END CAP | PROTECTION POUR BORD PLANCHETTE | 1 | 1 | 1 | 1 |
| 114 | 23102-274 | SHELF | PLANCHETTE LATÉRALE | 1 | 1 | 1 | 1 |
| 115 | 23102-254 | SHELF-SIDEBURNER | PLANCHETTE – BRÛLEUR DE CÔTÉ | 1 | 1 | 1 | 1 |
| 116 | 23502-401 | SHELF FRONT | PLANCHETTE FRONTALE | 2 | 2 | 2 | 2 |
| 117 | 23002-205 | SHELF STRAP | FIXATION PLAQUETTE | 2 | 2 | 2 | 2 |
| 120 | 23101-409 | SHELF END CAP | PROTECTION POUR BORD PLANCHETTE | 2 | 2 | 2 | 2 |
| 124 | 10393-R50 | SHELF-SIDE BURNER | PLANCHETTE LATERAL DU BRÛLEUR | 1 | 1 | 1 | 1 |
| 125 | 10393-K40 | COVER-SIDE BURNER | COUVERCLE LATERAL DU BRÛLEUR | 1 | 1 | 1 | 1 |
| 126 | 10390-E10 | SIDE BURNER | BRÛLEUR DE CÔTÉ | 1 | 1 | 1 | 1 |
| 127 | PB20-60 | LID HANDLE | POIGNÉE DU COUVERCLE | 1 | 1 | 1 | 1 |
| 128 | 10225-T10 | GRID | GRILLE | 1 | 1 | 1 | 1 |
| 130 | S13009 | BURNER ROTISSERIE | BRÛLEUR DE TOURNEBROCHE | 1 | 1 | 1 | 1 |
| 131 | 10693-109 | REAR BURNER-ORIFICE | ORIFICE DU BRÛLEUR ARRIÈRE | 1 | • | 1 | • |
| | 10693-160 | REAR BURNER-ORIFICE | ORIFICE DU BRÛLEUR ARRIÈRE | • | 1 | • | 1 |
| 132 | 27035-304 | REAR BURNER BRACKET | CROCHETS DU BRÛLEUR ARRIERE | 1 | 1 | 1 | 1 |
| 133 | S15271 | HANDLE | POIGNEE | 1 | 1 | 1 | 1 |
| 134 | S15270 | BALANCER | CONTREPOIS | 1 | 1 | 1 | 1 |
| 135 | S15299 | WASHER | RONDELLE | 1 | 1 | 1 | 1 |
| 136 | S15263 | BUSHING | COL | 1 | 1 | 1 | 1 |
| 137 | S15257 | SPLIT ROD | BROCHETTE | 1 | 1 | 1 | 1 |
| 138 | S15287 | 4 PRONG FORKS | FOURCHETTE A 4 FOURCHON | 1 | 1 | 1 | 1 |
| 139 | 27039-901 | ROTISSERIE BRACKET | SUPPORT | 1 | 1 | 1 | 1 |
| 140 | S21125 | SCREW #8 X 1/2 | VIS #8 X 1/2 | 16 | 16 | 16 | 16 |
| 141 | Y-11569C | SCREW M6 X 15 | VIS M6 X 15 | 4 | 4 | 4 | 4 |
| 142 | S21124S | SCREW #8 X 1/2 | VIS #8 X 1/2 | 8 | 8 | 8 | 8 |
| 143 | Y-12855 | BOLT 1/4-20 X 3/8 | BOULON 1/4-20 X 3/8 | 70 | 70 | 70 | 70 |
| 144 | Y-12220 | BUSHING | DOUILLE | 1 | 1 | 1 | 1 |
| 145 | S21235 | HINGE PIN | GOUPILLE DE CHARNIÈRE | 2 | 2 | 2 | 2 |
| 146 | S21233 | HITCH PIN CLIP | ATTACHE DE CHEVILLE | 6 | 6 | 6 | 6 |
| 147 | Y-11231 | LID BUMPER | BUTOIR DU COUVERCLE | 4 | 4 | 4 | 4 |
| 148 | Y-12120 | DOOR PLUG | PRISE DE LA PORTE | 4 | 4 | 4 | 4 |
| 149 | 10240-16 | DOOR PIN | GOUPILLE DE LA PORTE | 2 | 2 | 2 | 2 |
| 150 | S21363 | SPRING | RESSORT | 2 | 2 | 2 | 2 |
| 151 | Y-11567 | SCREW M8 SHOULDER | VIS M8 SHOULDER | 12 | 12 | 12 | 12 |
| 152 | Y-12222 | MAGNET | AIMANT | 1 | 1 | 1 | 1 |
| 153 | Y-12223 | SNAP IN MAGNET | AIMANT | 1 | 1 | 1 | 1 |
| 154 | Y-11560 | SCREW 1/4-20 X 1-1/2 | VIS 1/4-20 X 1-1/2 | 4 | 4 | 4 | 4 |
| 155 | S21124 | SCREW #8 X 1/2 | VIS #8 X 1/2 | 42 | 42 | 42 | 42 |
| 156 | Y-11793 | NUT 1/4-20 | ECROU 1/4-20 | 8 | 8 | 8 | 8 |
| 157 | Y-12835 | SCREW #6-32 X 1/4 | VIS #6-32 X 1/4 | 2 | 2 | 2 | 2 |
| 158 | Y-12646 | SCREW - SHOULDER #8 X 1/2 | VIS #8 X 1/2 | 2 | 2 | 2 | 2 |
| 159 | S21136 | SCREW #8-32 X 3/8 | VIS #8-32 X 3/8 | 12 | 12 | 12 | 12 |
| 160 | Y-29304 | BOLT #10-24 X 3/8 | BOULON #10-24 X 3/8 | 40 | 40 | 40 | 40 |
| 161 | Y-29307 | NUT #10-24 | ECROU #10-24 | 4 | 4 | 4 | 4 |
| 162 | Y-12083 | NUT – 10-24 | ECROU – 10-24 | 4 | 4 | 4 | 4 |
| 163 | S35094 | SCREW #10-24 X 5/8 | VIS #10-24 X 5/8 | 11 | 11 | 11 | 11 |
| 164 | S21084 | SCREW #14 X 5/8 | VIS #14 X 5/8 | 12 | 12 | 12 | 12 |
| 165 | Y-12121 | DOOR CAP | CACHE PORTE | 2 | 2 | 2 | 2 |
| 165A | Y-12123 | DOOR CAP | CACHE PORTE | 2 | 2 | 2 | 2 |
| 168 | Y-11568 | SCREW M5 X 10 | VIS M5 X 10 | 2 | 2 | 2 | 2 |
| 169 | S21061 | WING NUT | ECROU PAPILLON | 2 | 2 | 2 | 2 |
| 170 | Y-12084 | NUT – 10-24 | ECROU – 10-24 | 8 | 8 | 8 | 8 |
| 171 | S15236 | MOTOR | MOTEUR | 1 | 1 | 1 | 1 |
| 172 | Y-11216 | WASHER | RONDELLE | 4 | 4 | 4 | 4 |
| 173 | Y-11598 | NUT WING - 1/4 | ECROU PAPILLON - 1/4 | 1 | • | 1 | • |
| 174 | S21255 | WASHER | RONDELLE | 1 | • | 1 | • |
| 175 | S21141 | CARRIAGE BOLT - 1/4:20 X 5/8 | BOULON - 1/4:20 X 5/8 | 1 | • | 1 | • |
| 176 | S21362 | SPRING | RESSORT | 1 | 1 | 1 | 1 |





Free Manuals Download Website

<http://myh66.com>

<http://usermanuals.us>

<http://www.somanuals.com>

<http://www.4manuals.cc>

<http://www.manual-lib.com>

<http://www.404manual.com>

<http://www.luxmanual.com>

<http://aubethermostatmanual.com>

Golf course search by state

<http://golfingnear.com>

Email search by domain

<http://emailbydomain.com>

Auto manuals search

<http://auto.somanuals.com>

TV manuals search

<http://tv.somanuals.com>