

Chill out.
Sleep in.

Brookstone®

Bed Fan with Wireless Remote
CHILL WITH ME.

Merrimack, New Hampshire USA 03054 • 800-846-3000 • Brookstone.com

Download from www.Somanuals.com. All Manuals Search And Download.

TABLE OF CONTENTS

Warnings and Cautions	2
Location of Parts and Controls	7
Installing/Replacing Remote Batteries	8
Setting Up Your Bed Fan.....	9
Operating Your Bed Fan	10
Care and Maintenance.....	11
Specifications	12
Warranty.....	13

CAUTION

- TO REDUCE THE RISK OF ELECTRIC SHOCK, DO NOT REMOVE COVER. THERE ARE NO SERVICEABLE PARTS INSIDE.
- TO REDUCE THE RISK OF FIRE OR ELECTRIC SHOCK, DO NOT EXPOSE THIS UNIT TO RAIN OR MOISTURE.



The lightning flash with arrow-head symbol within an equilateral triangle is intended to alert the user to the presence of uninsulated “dangerous voltage” within the unit’s enclosure that may be of sufficient magnitude to constitute a risk of electric shock.



The exclamation point within an equilateral triangle is intended to alert the user to the presence of important operating and maintenance (servicing) instructions in the literature accompanying the unit.

IMPORTANT SAFETY INSTRUCTIONS

All of the safety and operating instructions should be read, adhered to and followed before the unit is operated.

SAVE THESE INSTRUCTIONS

DANGER

To reduce the risk of electric shock, burns, fire or injury:

1. Do not use while bathing or in a shower.
2. Do not place or store unit where it can fall or be pulled into a tub or sink.
3. Do not place in, drop or submerge in water or other liquid.
4. Do not reach for unit that has fallen into water. Unplug it immediately.
5. Care should be taken so that objects do not fall and liquids are not spilled onto the unit.

WARNING

1. Close supervision is necessary when this appliance/product is used by or near children or mentally disabled individuals.
2. Use this unit only for its intended use as described in this manual.
3. Unplug this unit during lightning storms or when unused for long periods of time.
4. Never drop or insert an object into any opening.
5. Protect the power cord from being walked on or pinched, particularly at electrical outlets and the point where it exits the unit.
6. Do not allow cord to touch hot surfaces. Wrap cord loosely around the unit when storing.

7. The unit should be situated away from direct sunlight or heat sources such as radiators, electric heaters, heat registers, stoves, or other units (including amplifiers) that produce heat. Avoid placing on top of stereo equipment that radiates heat.
8. Never block the air openings of the unit with materials such as clothing, plastic bags, papers, bed skirt or sheet, or place it on a soft surface such as a bed or couch, where the air openings may be blocked.
9. Do not overload electrical outlet. Use only the power source as indicated.
10. Do not carry this unit by cord or use cord as handle.
11. Never operate this unit if it has a damaged cord or plug, if it is not working properly, or if it has been dropped or damaged, or dropped into water. If the unit's power supply cord or plug is damaged, do not attempt to fix it yourself.
12. To avoid the risk of electric shock, do not disassemble or attempt to repair the unit. Incorrect repair can cause risk of electric shock or injury to persons when unit is used.
13. Do not operate in the presence of explosive and/or flammable fumes.
14. Never remove the plug from the socket by pulling the power cord.
15. Never place any electrical cord under a rug or carpet.

FCC INFORMATION

This equipment has been tested and found to comply with the limits for a Class B Digital Device, pursuant to Part 15 of the FCC Rules. These limits are designed to provide reasonable protection against harmful interference in a residential installation. This equipment generates, uses, and can radiate radio frequency energy and, if not installed and used in accordance with the instructions, may cause harmful interference to radio communications. However, there is no guarantee that interference will not occur in a particular installation.

If this equipment does cause harmful interference to radio or television reception, which can be determined by turning the equipment off and on, the user is encouraged to try to correct the interference by one or more of the following measures:

- Reorient or relocate the receiving antenna.
- Increase the distance between the equipment and receiver.
- Connect the equipment to an outlet on a circuit different from that to which the receiver is connected.
- Consult the dealer or an experienced radio/TV technician for help.

This equipment complies with part 15 of the FCC Rules. Operation is subject to the following two conditions:

1. This equipment may not cause harmful interference.
2. This equipment must accept any interference received, including interference that may cause undesired operation.

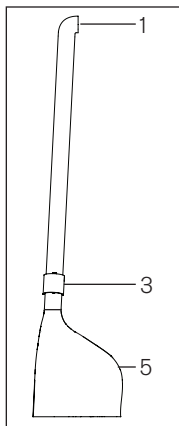
WARNING: Changes or modifications to this unit not expressly approved by the party responsible for compliance could void the user's authority to operate the equipment.

BATTERY PRECAUTIONS

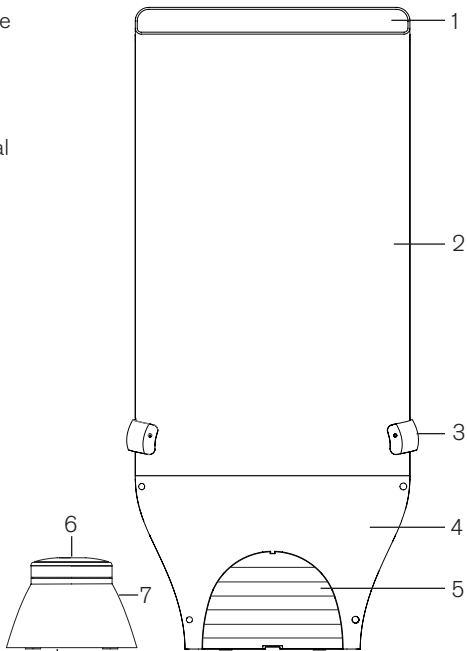
- Dispose of the old batteries properly. Do not dispose of the old batteries in a fire.
- Do not leave the batteries where a child or pet could play with or swallow them. If the batteries are swallowed, contact a physician immediately.
- The batteries may explode if mistreated. Do not attempt to recharge or disassemble the batteries.
- Use only fresh batteries of the required size and type. Do not mix old and new batteries, different types of batteries, or rechargeable batteries of different capacities.

LOCATION OF PARTS AND CONTROLS

1. Air Flow Vent
2. Air Flow Adjustable Guide
3. Air Flow Guide Clips
4. Base
5. Air Intake Vent
6. Power Button/Speed Dial
7. Remote
8. Battery Compartment



Side View



Vent View

INSTALLING/REPLACING REMOTE BATTERIES

1. Open and remove the Remote's Battery Compartment Cover by lightly pressing in and pulling up on the edge of the cover with the indent.
2. Insert 2 AA batteries according to the polarity indicators inside the compartment.
3. Close the Battery Compartment Cover by sliding the 2 tabs into the slots and pressing the cover down until it clicks.

SETTING UP YOUR BED FAN

1. Make your bed up with a fitted sheet.
2. Place the Bed Fan Base at or near the foot of your bed with the Air Intake Vent either facing under, or out from under, your bed.

Important! Make sure nothing is obstructing the Air Intake Vent like a bed skirt or items stored under the bed.

Note: You may want to take this time to vacuum or dust under your bed, if needed, to keep the Air Intake Vent from drawing in dust or dirt.

Helpful Hint: If you have a foot board and you are placing the Bed Fan at the foot of your bed, slide the Air Flow Guide off completely, place the Base under the bed and slide the Air Flow Guide back on (press the Air Flow Guide Clips in to slide the Air Flow Guide down) to face the mattress.

3. Slide the Air Flow Guide up or down (press the Air Flow Guide Clips in to slide the Air Flow Guide down) so that it's aiming the breeze over the edge of the mattress towards where your feet will be when you are settled in your bed.
4. Plug the Adapter into the Bed Fan and then into an electrical outlet near the foot of your bed.

Important: Never place any electrical cord under a rug or carpet.

5. Make your bed up as you normally would, tucking the top sheet in, over and around the Bed Fan's Air Flow Guide.

Helpful hint: Sheets with a higher percale count (stitches per inch) allow more air flow to reach you as the breeze does not escape from in-between the tighter knit stitches.

OPERATING YOUR BED FAN

After initial set up of your Bed Fan, use the Remote Control to adjust the airflow for maximum comfort.

1. Press the Power Button on the Remote to turn the Bed Fan on and off. The Power Button's icon will illuminate for 5 seconds and then shut off.
2. The REMOTE CONTROL has a variable fan speed dial. You have an infinite number of adjustments you can make for your maximum comfort. Just turn the dial clockwise to increase the air-flow, and turn it counter-clockwise to decrease the airflow. We suggest you start off at a lower fan speed to get used to the feeling of the breeze blowing from the foot of the bed.
3. The LED POWER ICON will illuminate for 5 seconds when the fan is on and when you adjust the speed of the fan.
4. Enjoy a cool and refreshing rest.

CARE AND MAINTENANCE

Important! Disconnect from the power outlet before cleaning.

- After disconnecting from the power outlet, you may wipe the exterior of the bed fan and its remote with a soft, slightly damp cloth.
- Use a vacuum to carefully clean the intake vent of the Bed Fan and ensure no debris or dust remains.

Note: You may want to take this time to vacuum or dust under your bed, if needed, to keep the Air Intake Vent from drawing in dust or dirt.

- You may also carefully remove the cover on the Intake Vent by pulling the tab to remove it from the Base. Clean the inner chamber of dust and debris and replace the cover securely.
- Remove the batteries from the remote if the Bed Fan is not going to be used or is being stored for a long period of time.
- Store the Bed Fan and its remote together in a cool, dry, safe place.
- Keep the Bed Fan instruction manual for reference.

SPECIFICATIONS

Power Supply	AC/DC Adapter
Voltage	Input 100-240V, 50/60Hz, 12W Output 12V 1.0A
Filter	Washable
Wireless Remote Control	RF, On/Standby/Off button
RF Operation Range	20 feet
RF Frequency.....	315 MHz
Fan Speed	Adjustable from low to high
DC Cooling Fans	2 @ 3.15" W x 3.15" H x 0.98" D
Remote Control Power	2 AA batteries
Auto Shutoff	10 hours
Product Dimensions	26" H (adjustable) x 11.75" W x 7.50" D

ONE (1) YEAR LIMITED WARRANTY

Brookstone® warrants this product against defects in materials and/or workmanship under normal use for a period of ONE (1) YEAR from the date of purchase by the original purchaser ("Warranty Period"). If a defect arises and a valid claim is received within the Warranty Period, at its option, Brookstone will either 1) repair the defect at no charge, using new or refurbished replacement parts, or 2) replace the product with a new product that is at least functionally equivalent to the original product, or 3) provide a store credit in the amount of the purchase price of the original product. A replacement product or part, including a user-installable part installed in accordance with instructions provided by Brookstone, assumes the remaining warranty of the original product. When a product or part is exchanged, any replacement item becomes your property and the replaced item becomes Brookstone's property. When a store credit is given, the original product must be returned to Brookstone and becomes Brookstone's property.

Obtaining Service: To obtain warranty service, call Brookstone Limited Warranty Service at 1-800-292-9819. Please be prepared to describe the product that needs service and the nature of the problem. A purchase receipt is required. All repairs and replacements must be authorized in advance. Service options, parts availability and response times will vary. You are responsible for delivery and the cost of delivery of the product or any parts to the authorized service center for replacement, per our instructions.

Limits and Exclusions: Coverage under this Limited Warranty is limited to the United States of America, including the District of Columbia and the U.S. Territories of Guam, Puerto Rico, and the U.S. Virgin Islands. This Limited Warranty applies only to products manufactured for Brookstone that can be identified by the "Brookstone" trademark, trade name, or logo affixed to them or their packaging. The Limited Warranty does not apply to any non-Brookstone products. Manufacturers or

suppliers other than Brookstone may provide their own warranties to the purchaser, but Brookstone, in so far as permitted by law, provides these products "as is." This warranty does not apply to: a) damage caused by failure to follow instructions relating to product's use or the installation of components; b) damage caused by accident, abuse, misuse, fire, floods, earthquake or other external causes; c) damage caused by service performed by anyone who is not a representative of Brookstone; d) accessories used in conjunction with a covered product; e) a product or part that has been modified to alter functionality or capability; f) items intended to be periodically replaced by the purchaser during the normal life of the product including, without limitation, batteries or light bulbs; g) any product sold "as is" including, without limitation, floor demonstration models and refurbished items; or h) a product that is used commercially or for a commercial purpose.

BROOKSTONE SHALL NOT BE LIABLE FOR INCIDENTAL OR CONSEQUENTIAL DAMAGES RESULTING FROM THE USE OF THIS PRODUCT, OR ARISING OUT OF ANY BREACH OF THIS WARRANTY. TO THE EXTENT PERMITTED BY APPLICABLE LAW, BROOKSTONE DISCLAIMS ANY AND ALL STATUTORY OR IMPLIED WARRANTIES, INCLUDING, WITHOUT LIMITATION, WARRANTIES OF MERCHANTABILITY, FITNESS FOR A PARTICULAR PURPOSE AND WARRANTIES AGAINST HIDDEN OR LATENT DEFECTS. IF BROOKSTONE CANNOT LAWFULLY DISCLAIM STATUTORY OR IMPLIED WARRANTIES, THEN TO THE EXTENT PERMITTED BY LAW, ALL SUCH WARRANTIES SHALL BE LIMITED IN DURATION TO THE DURATION OF THIS EXPRESS WARRANTY.

Some states disallow the exclusion or limitation of incidental or consequential damages or how long an implied warranty lasts, so the above exclusions or limitations may not apply to you. This warranty gives you specific legal rights and you may also have other rights, which vary from state to state.

Find thousands more
great ideas online

Brookstone®

782019

Merrimack, New Hampshire USA 03054 • 800-846-3000 • Brookstone.com

Download from [Www.Somanuals.com](http://www.Somanuals.com). All Manuals Search And Download.

Free Manuals Download Website

<http://myh66.com>

<http://usermanuals.us>

<http://www.somanuals.com>

<http://www.4manuals.cc>

<http://www.manual-lib.com>

<http://www.404manual.com>

<http://www.luxmanual.com>

<http://aubethermostatmanual.com>

Golf course search by state

<http://golfingnear.com>

Email search by domain

<http://emailbydomain.com>

Auto manuals search

<http://auto.somanuals.com>

TV manuals search

<http://tv.somanuals.com>