

# **BUSH HOG®**

## **LAND MAINTENANCE REPAIR PARTS MANUAL**

**MODEL: FTH  
SECTION: 45**



# **BUSH HOG®**

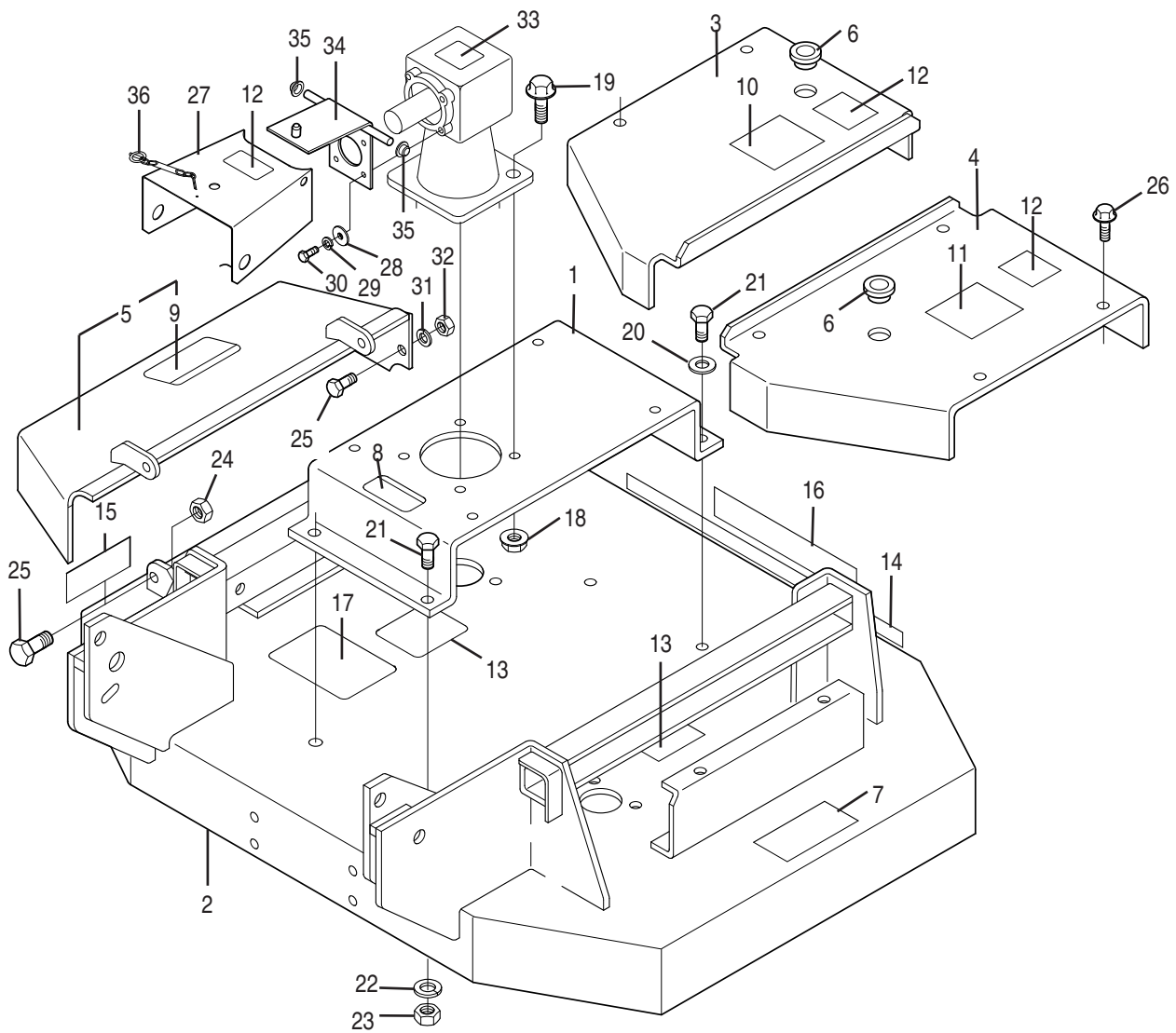
2501 Griffin Ave. • Selma, AL 36703  
(334) 872-6261 • (334) 874-2700  
Parts Ordering 1-800-304-2836  
Fax 1-800-572-1784  
[www.bushhog.com](http://www.bushhog.com)



# FTH 480, FTH 600, FTH 720

## ALPHABETICAL INDEX

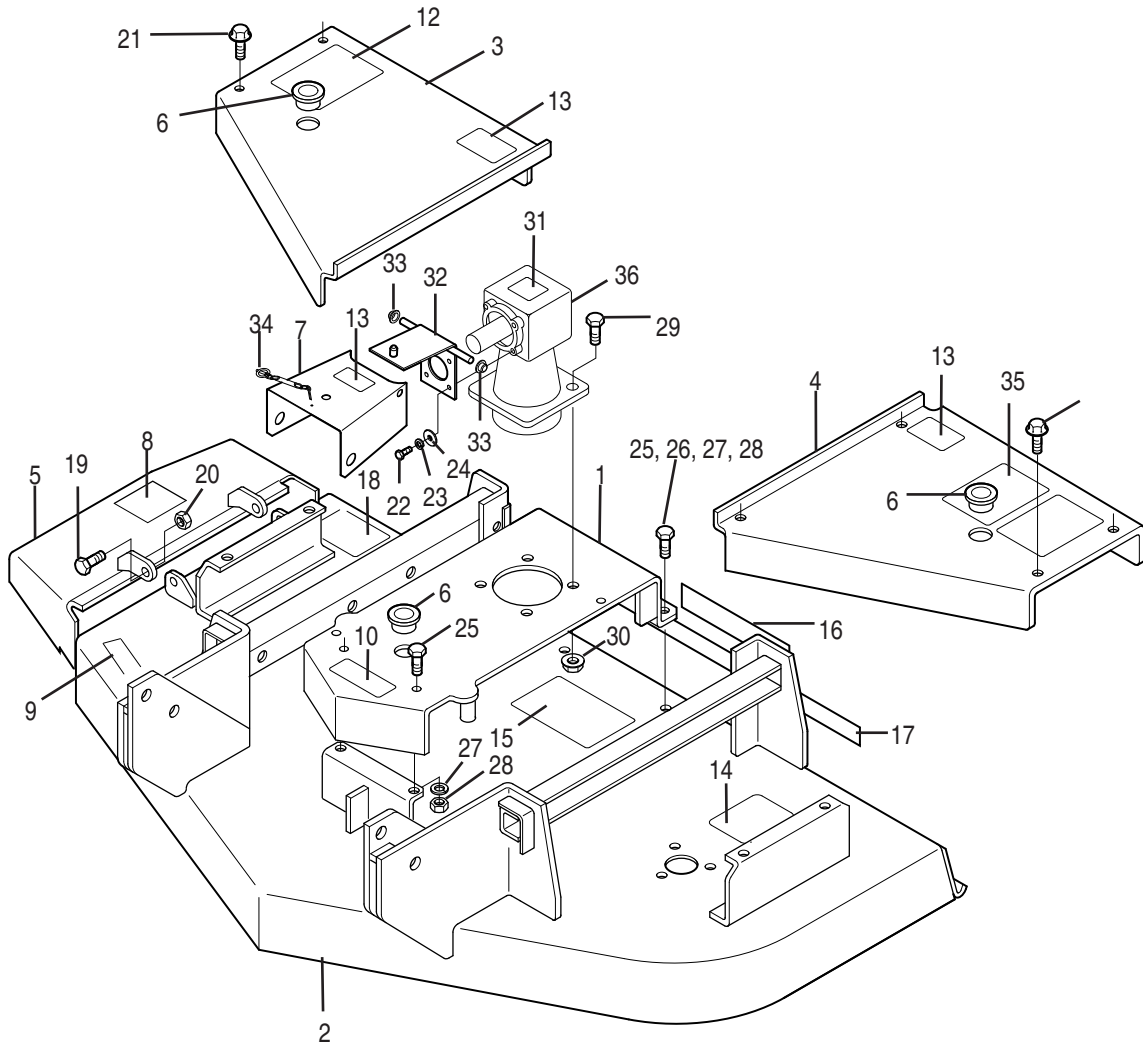
<b>CONTENTS</b>	<b>PAGE</b>
Base Frame	
FTH 480 .....	45-1-1
FTH 600 & 720 .....	45-1-2
Belts, Drive	
FTH 480 .....	45-2-1
FTH 600 & 720 .....	45-2-2
Caster Arm (All Models) .....	45-6-1
Decals; Safety, Warning, Danger	
FTH 480 .....	45-1-1
FTH 600 & 720 .....	45-1-2
Driveshaft Assy. (All Models) .....	45-4-1, 45-4-2
Gear Box Assemblies .....	45-3-2, 45-3-3
Mast & Support (3 PT Lift) .....	45-5-1
Pulleys (Drive & Idlers)	
FTH 480 .....	45-2-1
FTH 600 & 720 .....	45-2-2
Roller, Front .....	45-6-2
Shields, Safety	
FTH 480 .....	45-1-1
FTH 600 & 720 .....	45-1-2
Spindle Assembly .....	45-3-1
Wheel & Fork Assembly .....	45-6-1



**BASE FRAME AND SHIELDING**  
**FTH 480**

REF. NO.	PART NO.	QTY.	DESCRIPTION	REF. NO.	PART NO.	QTY.	DESCRIPTION
1	90878	1	Gear Box Mount w/Decals	19	—	4	Capscrew 5/8" xs 1 3/4" Gr. 5
2	90873	1	Deck Weldment w/Decals	20	—	2	Flatwasher 1/2"
3	90876	1	R.H. Belt Shield w/Decals	21	—	4	Capscrew 1/2" x 1 1/2" Gr.5
4	90877	1	L.H. Belt Shield w/Decals	22	—	4	Lockwasher 1/2"
5	90875	1	Grass Shield w/Decals	23	—	4	Hex Nut 1/2"
6	88660	2	Plug	24	09131200	4	Locknut 3/8"
7	82619	1	Danger Decal	25	—	3	Capscrew 3/8" x 1" Gr.5
8	50042281	1	RPM Decal	26	86873	8	Capscrew, Flange Lock 3/8" x 3/4" Gr.5
9	83056	1	Warning Decal	27	94306	1	Input Shield
10	82618	1	Warning Decal	28	44216	4	Flatwasher m8
11	82617	1	Warning Decal	29	44311	4	Lockwasher m8
12	50012615	3	Warning Decal	30	44215	4	Capscrew m8
13	50012616	2	Danger Decal	31	—	1	Lockwasher 3/8"
14	90837	1	Model No. Decal Stripe	32	—	1	Hex Nut 3/8"
15	90838	1	Model No. Decal	33	50057096	1	Decal, Gearbox Warranty
16	12115	1	Bush Hog Decal	34	94305	1	Shield Mount
17	90879	1	Belt Installation Decal	35	50014067	2	Cap. Friction
18	20414	4	Locknut, Flanged 5/8"	36	6050096	1	Pin & Chain Assembly

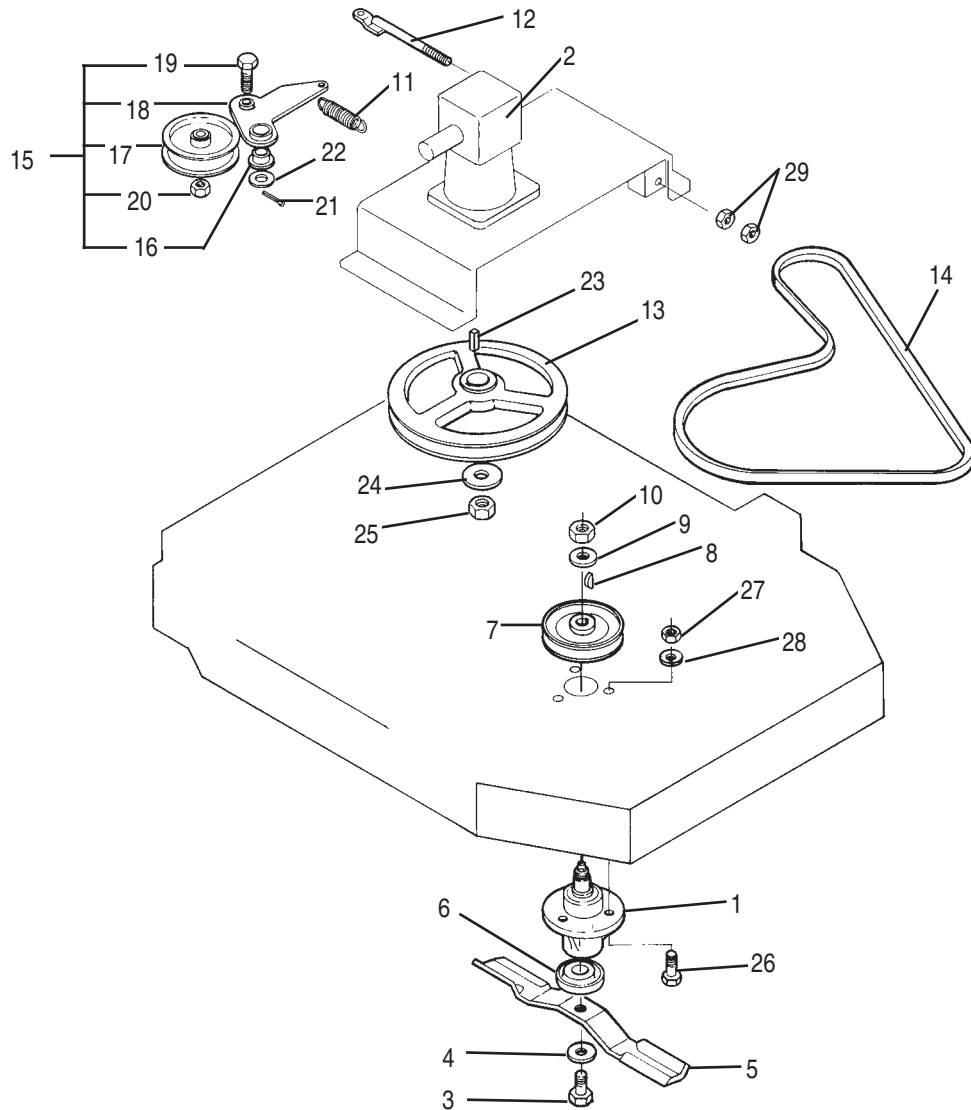
### FTH 600 & FTH 720 BASE FRAME AND SHIELDING



## FTH 600 & FTH 720 BASE FRAME AND SHIELDING

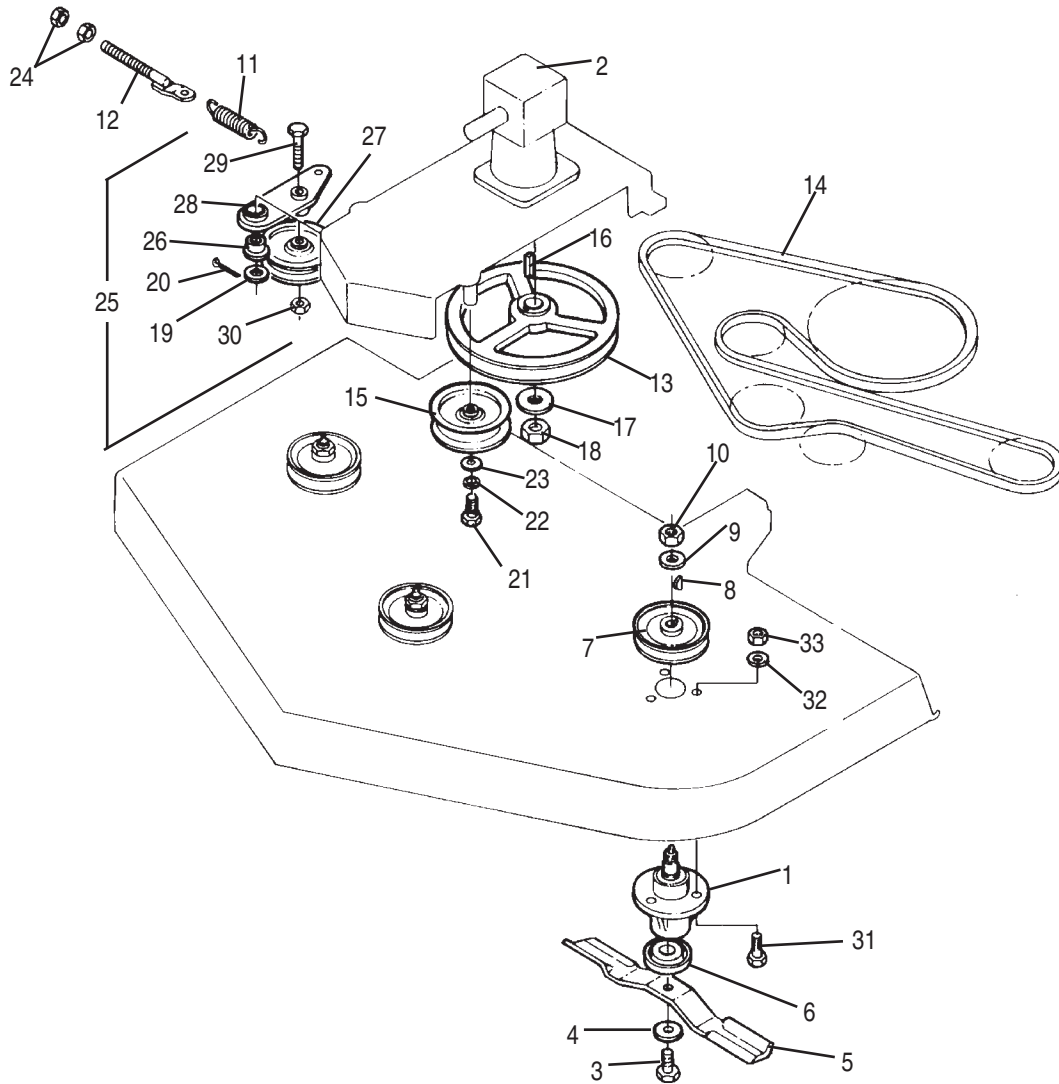
REF. NO.	PART NO. FTH600	PART NO. FTH720	QTY.	DESCRIPTION
1	50055179	50055199	1	Gearbox Mount, Blue
	50055180	50055203	1	Gearbox Mount, Green
	50055181	50055204	1	Gearbox Mount, Orange
	50055182	50055205	1	Gearbox Mount, Red
2	50056708	50056716	1	Deck w/ Decals, Blue
	50056709	50056717	1	Deck w/ Decals, Green
	50056710	50056718	1	Deck w/ Decals, Orange
	50056711	50056719	1	Deck w/ Decals, Red
3	50055171	50055191	1	Right Shield w/ Decals, Blue
	50055172	50055192	1	Right Shield w/ Decals, Green
	50055173	50055193	1	Right Shield w/ Decals, Orange
	50055174	50055194	1	Right Shield w/ Decals, Red
4	50055175	50055195	1	Left Shield w/ Decals, Blue
	50055176	50055196	1	Left Shield w/ Decals, Green
	50055177	50055197	1	Left Shield w/ Decals, Orange
	50055178	50055198	1	Left Shield w/ Decals, Red
5	50056712	50056720	1	Grass Shield w/ Decals, Blue
	50056713	50056721	1	Grass Shield w/ Decals, Green
	50056714	50056722	1	Grass Shield w/ Decals, Orange
	50056715	50056723	1	Grass Shield w/ Decals, Red
6	88660	88660	3	Plug
7	94306	94306	1	Input Shield
8	83056	83056	1	Warning Decal
9	90835	90835	1	Model No. Decal FTH 600
	90902	90902	1	Model No. Decal FTH 720
10	50042281	50042281	1	Decal, 540 RPM
11	50042284	50042284	1	Warning Decal (Left Side)
12	50042283	50042283	1	Warning Decal (Right Side)
13	50012615	50012615	3	Warning Decal
14	50012616	50012616	2	Danger Decal
15	88655	88655	1	Decal, Belt Installation
16	50055113	50055113	1	Bush Hog Decal
17	90836	90836	1	Stripe / Model No. Decal FTH 600
	90903	90903	1	Stripe / Model No. Decal FTH 720
18	50042282	50042282	1	Danger Decal
19	—	—	1	Capscrew 3/8" x 1" Gr. 5
20	09131200	09131200	2	Locknut 3/8"
21	86873	86873	8	Capscrew, Flanged 3/8" x 3/4"
22	44215	44215	4	Capscrew M8 x 1.25 x 15
23	44311	44311	4	Lockwasher M8
24	44216	44216	4	Flatwasher M8
25	—	—	4	Capscrew 1/2" x 1 1/2" Gr. 5
26	—	—	2	Flatwasher 1/2"
27	—	—	4	Lockwasher 1/2"
28	—	—	4	Hex Nut 1/2"
29	15165	15165	4	Capscrew 5/8" x 1 3/4" Gr.5
30	20414	20414	4	Locknut 5/8"
31	50057096	50057096	1	Gearbox Warranty Decal, 5 Yr.
32	94305	94305	1	Shield Mount
33	50014067	50014067	2	Cap, Friction
34	6050096	6050096	1	Pin & Chain Assembly
35	50042285	50042285	1	Warning Decal
36	50065305	50065305	1	Gearbox Assembly,





**PULLEYS AND BELTS  
FTH 480 - 48" MOWER**

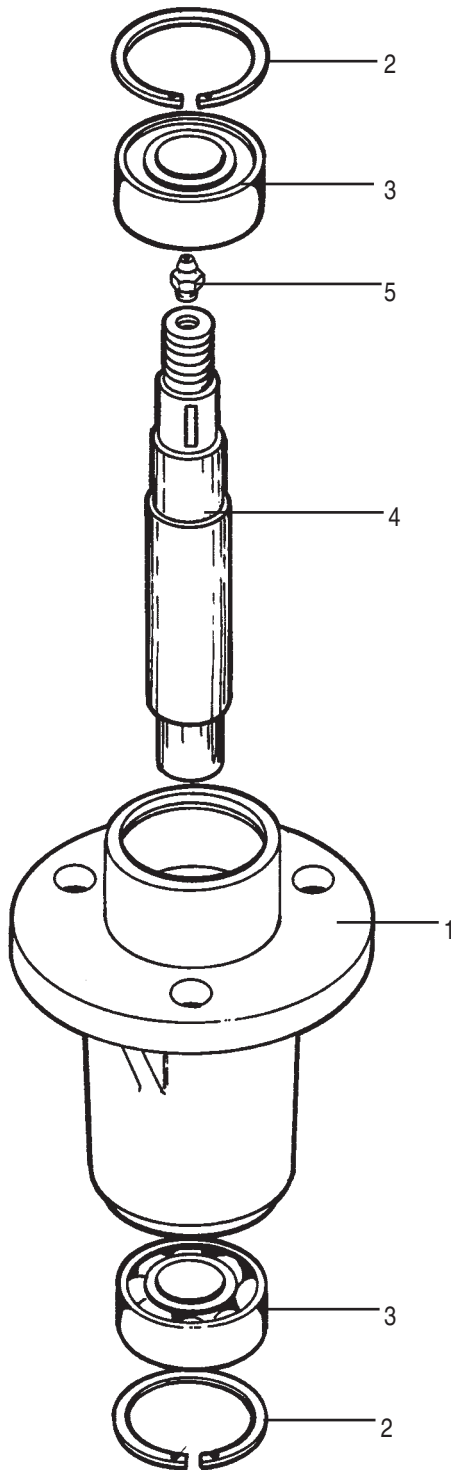
REF. NO.	PART NO.	QTY.	DESCRIPTION	REF. NO.	PART NO.	QTY.	DESCRIPTION
1	50051388	2	Spindle Assembly	16	88691	1	Bushing
2	70015	1	Gear Box Assembly	17	88663	1	Idler pulley
3	44506	2	Capscrew 1/2" x 1 3/4" UNF Gr.8	18	90849	1	Idler Arm Weld.
4	44040	2	Safety Washer	19	—	1	Capscrew 5/8" x 3" Gr.5
5	88773	2	Blade 25" (Offset, Uplift)	20	15598	1	Lock Nut 5/8"
	82325	2	Blade 25" (Flat, Uplift)	21	21020614	1	Cotter Pin 3/16" x 1 1/2"
6	88754	2	Blade Washer	22	20376	1	Flatwasher 1"
7	88756	2	Sheave	23	70288	1	Square Key
8	88753	2	Wood Ruff Key	24	70286	1	Spring Washer
9	20748	2	Flatwasher 5/8"	25	70287	1	Hex Nut M30 x 2
10	09162000	2	Locknut 5/8"	26	—	6	Capscrew 1/2" x 1 1/2"
11	50008038	1	Spring	27	15554	6	Locknut 1/2"
12	88669	1	Rod Weld.	28	—	6	Lockwasher 1/2"
13	88741	1	Drive Sheave	29	—	2	Hex Nut 3/8"
14	90880	1	Drive Belt				
15	90881	1	Idler Arm Assy.(Items 16 - 20)				



**PULLEYS AND BELTS  
FTH 600 & FTH 720**

REF. NO.	PART NO.	QTY.	DESCRIPTION	REF. NO.	PART NO.	QTY.	DESCRIPTION
1	50051388	3	Spindle Assembly	15	88663	1	Idler Pulley
2	50065305	1	Gear Box Assembly	16	70228	1	Key
3	44506	3	Capscrew 1/2" x 1 3/4" UNF Gr. 8	17	70286	1	Spring Washer
4	44040	3	Safety Washer, Heavy Duty	18	70287	1	Hex Nut M30 x 2
5	88668	3	Blade 21" (FTH 600)	19	20376	1	Flatwasher 1"
	82324	3	Blade 21" (FTH 600 Optional)	20	—	1	Cotter Pin 3/16" x 1 1/2"
	88773	3	Blade 25" (FTH 720)	21	—	1	Capscrew 5/8" x 2" Gr. 5
	82325	3	Blade 25" (FTH 720 Optional)	22	—	1	Lockwasher 5/8"
6	88754	3	Blade Washer	23	6050133	1	Special Flatwasher
7	88756	3	Sheave	24	—	2	Hex Nut 3/8"
8	88753	3	Wood Ruff Key 606	25	88671	1	Idler Arm Assy. (Items 26 - 30)
9	20748	3	Flatwasher 5/8"	26	88691	1	Bushing
10	09162000	3	Locknut 5/8"	27	88663	1	Idler Pulley
11	50008038	1	Spring	28	88703	1	Idler Arm Weld.
12	88669	1	Rod Weldment	29	—	1	Capscrew 5/8" x 3" Gr.5
13	88666	1	Drive Sheave (FTH 600)	30	15598	1	Locknut 5/8"
	88741	1	Drive Sheave (FTH 720)	31	—	9	Capscrew 1/2" x 1 1/2" Gr. 5
14	88667	1	Belt (FTH 600)	32	—	9	Lockwasher 1/2"
	88843	1	Belt (FTH 720)	33	15554	9	Locknut 1/2"

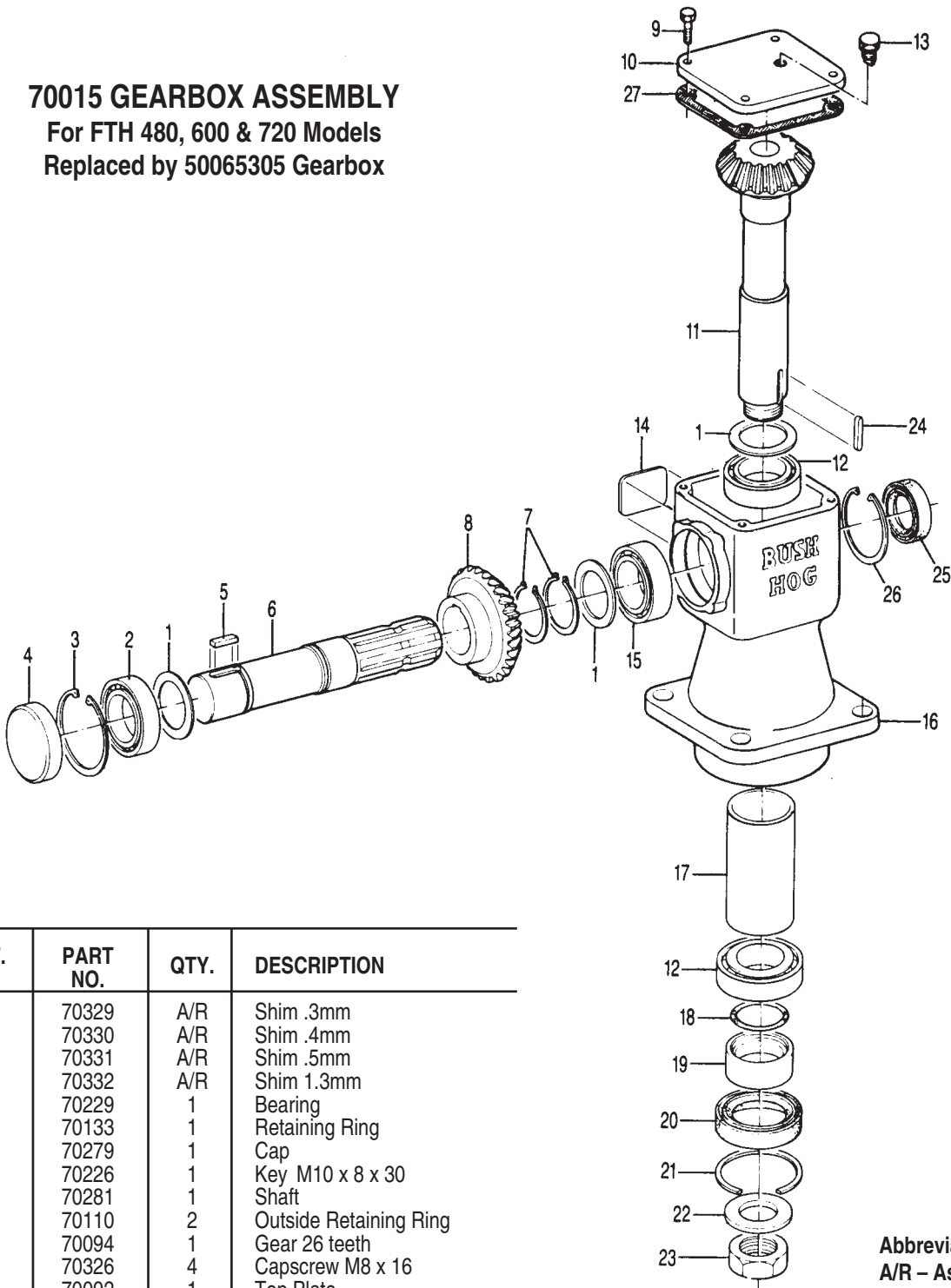




**50051388 SPINDLE ASSEMBLY**  
**FTH 480, 600, 720 MODELS**  
**Replaces 88757 Spindle Assembly (Obsolete)**

REF. NO.	PART NO.	QTY.	DESCRIPTION
1	88751	1	Spindle Housing
2	97685	2	Retaining Ring
3	88749	2	Bearing 25mm
4	50051387	1	Shaft
5	449	1	Grease Fitting

**70015 GEARBOX ASSEMBLY**  
 For FTH 480, 600 & 720 Models  
 Replaced by 50065305 Gearbox

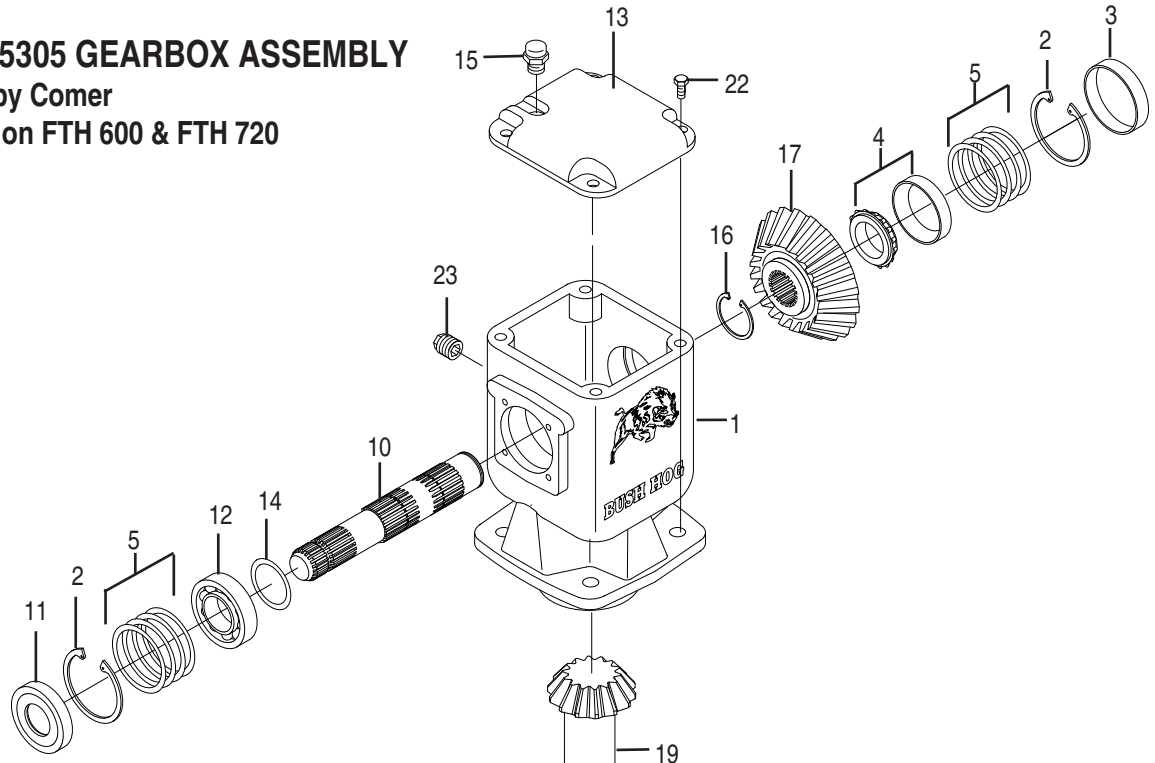


REF. NO.	PART NO.	QTY.	DESCRIPTION
1	70329	A/R	Shim .3mm
	70330	A/R	Shim .4mm
	70331	A/R	Shim .5mm
	70332	A/R	Shim 1.3mm
2	70229	1	Bearing
3	70133	1	Retaining Ring
4	70279	1	Cap
5	70226	1	Key M10 x 8 x 30
6	70281	1	Shaft
7	70110	2	Outside Retaining Ring
8	70094	1	Gear 26 teeth
9	70326	4	Capscrew M8 x 16
10	70092	1	Top Plate
11	70282	1	Pinion 12 teeth
12	70082	2	Bearing
13	70393	1	Vent Plug
14	N/A	1	Serial No. Plate
15	70129	1	Bearing
16	70283	1	Housing
17	N/A	1	Spacer Ring
18	70081	1	Gasket
19	70285	1	Bushing
20	70080	1	Seal
21	70079	1	Shoulder Ring

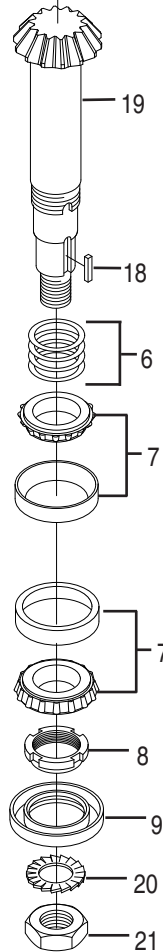
**Abbreviations:**  
 A/R – As Required  
 N/A – Not Available

REF. NO.	PART NO.	QTY.	DESCRIPTION
22	70286	1	Spring Washer
23	70287	1	Hex Nut
24	70288	1	Key 6 x 6 x 30 mm
25	70290	1	Seal
26	70291	1	Retaining Ring
27	70181	1	Plug 3/8"

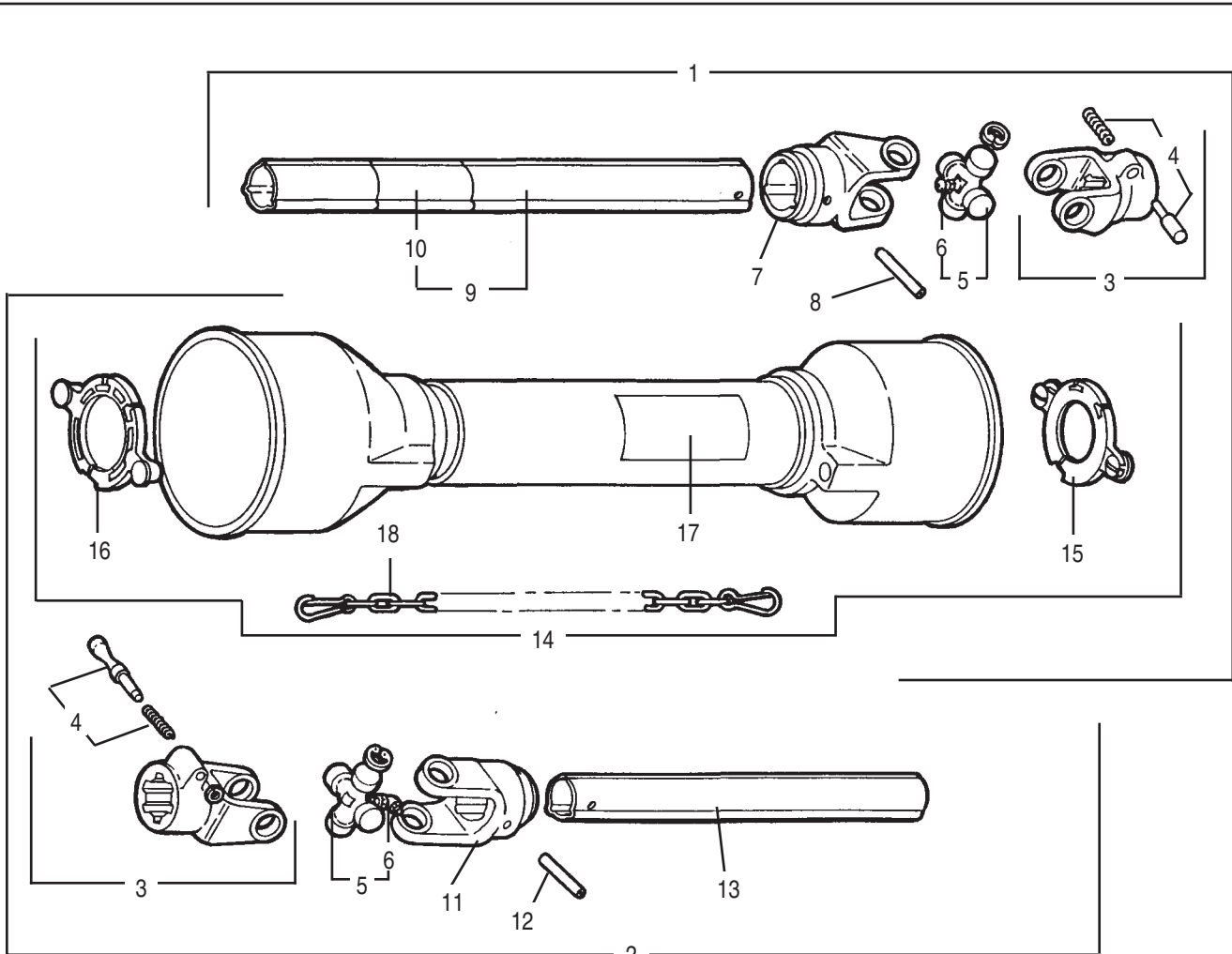
**50065305 GEARBOX ASSEMBLY**  
**Mfd. by Comer**  
**Used on FTH 600 & FTH 720**



REF. NO.	PART NO.	QTY.	DESCRIPTION
1	50042820	1	Casting
2	70133	2	Snap Ring 72 x 75 x 2.5
3	70279	1	Oil Cap
4	70797	1	Ball Bearing 30207
5	70639	2	Shim 60.3 x 71.7 x .03
	70640	2	Shim 60.3 x 71.7 x .04
	70641	2	Shim 60.3 x 71.7 x .05
	70642	2	Shim 60.3 x 71.7 x 1.0
6	70348	1	Shim 45.3 x 65.3 x .03
	70349	1	Shim 45.3 x 65.3 x .04
	70350	1	Shim 45.3 x 65.3 x .05
	70351	1	Shim 45.3 x 65.3 x 1.0
7	70796	2	Roller Bearing 30209
8	70905	1	Nut M45
9	70848	1	Dust Lip 40 x 90 x 8
10	50042822	1	Input Shaft 1-3/8" Z6
11	70134	1	Oil Seal 35 x 72 x 10
12	71453	1	Ball Bearing 6207
13	50042823	1	Cover
14	F7502811	1	Shim 35.3 x 48 x 2.5
15	80538	1	1/2" GAS Solid Plug
16	70250	1	Snap Ring 40 x 37.5 x 2.5
17	50042824	1	Crown Z30
18	70288	1	Parallel Key 6 x 6 x 30
19	50042826	1	Pinion Z12
20	70286	1	Ext. Tooth Washer 31 x 48
21	70287	1	Hex Nut M30
22	70278	4	Bolt M8 x 1.25 x 20
23	70292	1	3/8" GAS Solid Plug

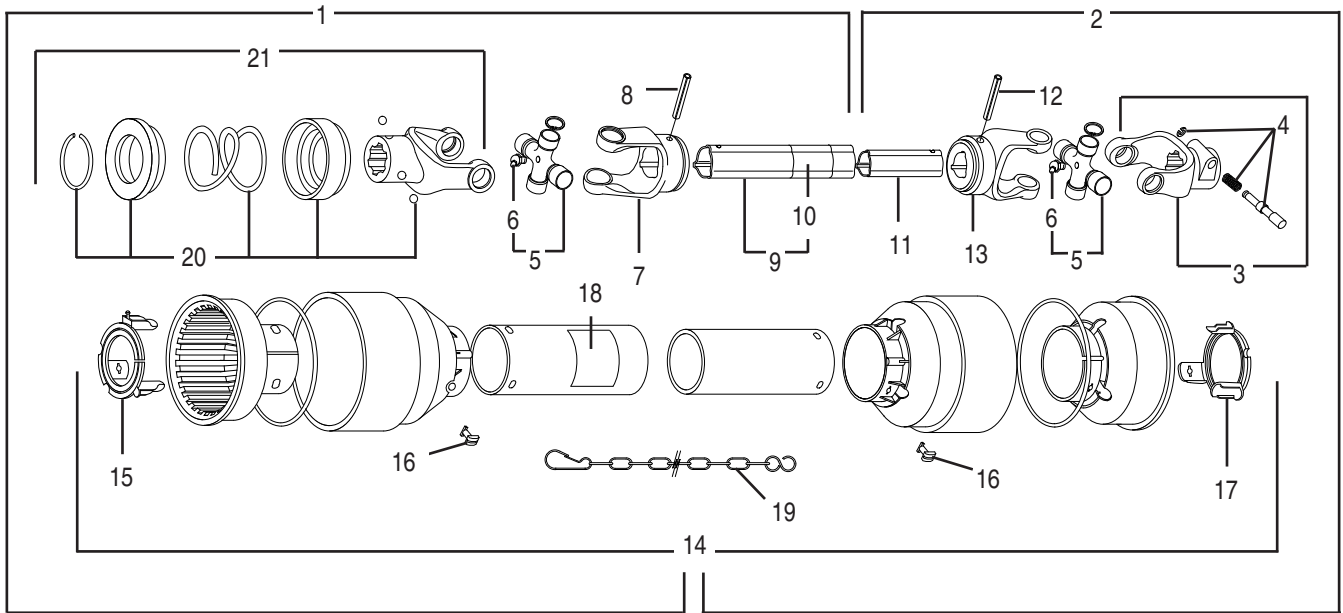






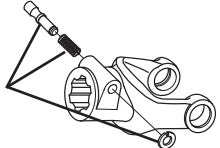
**89479 DRIVESHAFT ASSEMBLY**  
**FTH 480, 600, 720 Models**  
**Replaced by 93050 Driveshaft**

REF. NO.	PART NO.	QTY.	DESCRIPTION
1	90010	1	Shielded Front Half Assy.
2	90814	1	Shielded Rear Half Assy.
3	64692	2	Yoke Assy.
4	63945	2	Q.D. Pin Kit
5	64694	2	Cross Bearing Kit
6	63956	2	Grease Fitting
7	78571	1	Yoke, Outer Tube
8	78577	1	Flexible Pin (Outer Pin)
9	82800	1	Outer Tube
10	78786	1	Danger Decal
11	78570	1	Yoke, Inner Tube
12	78578	1	Flexible Pin (Inner Tube)
13	82801	1	Inner Tube
14	90012	1	Safety Shield
15	90008	1	Outer Shield Bearing
16	50042832	1	Inner Shield Bearing
17	78608	1	Danger Decal
18	64814	2	Safety Chain

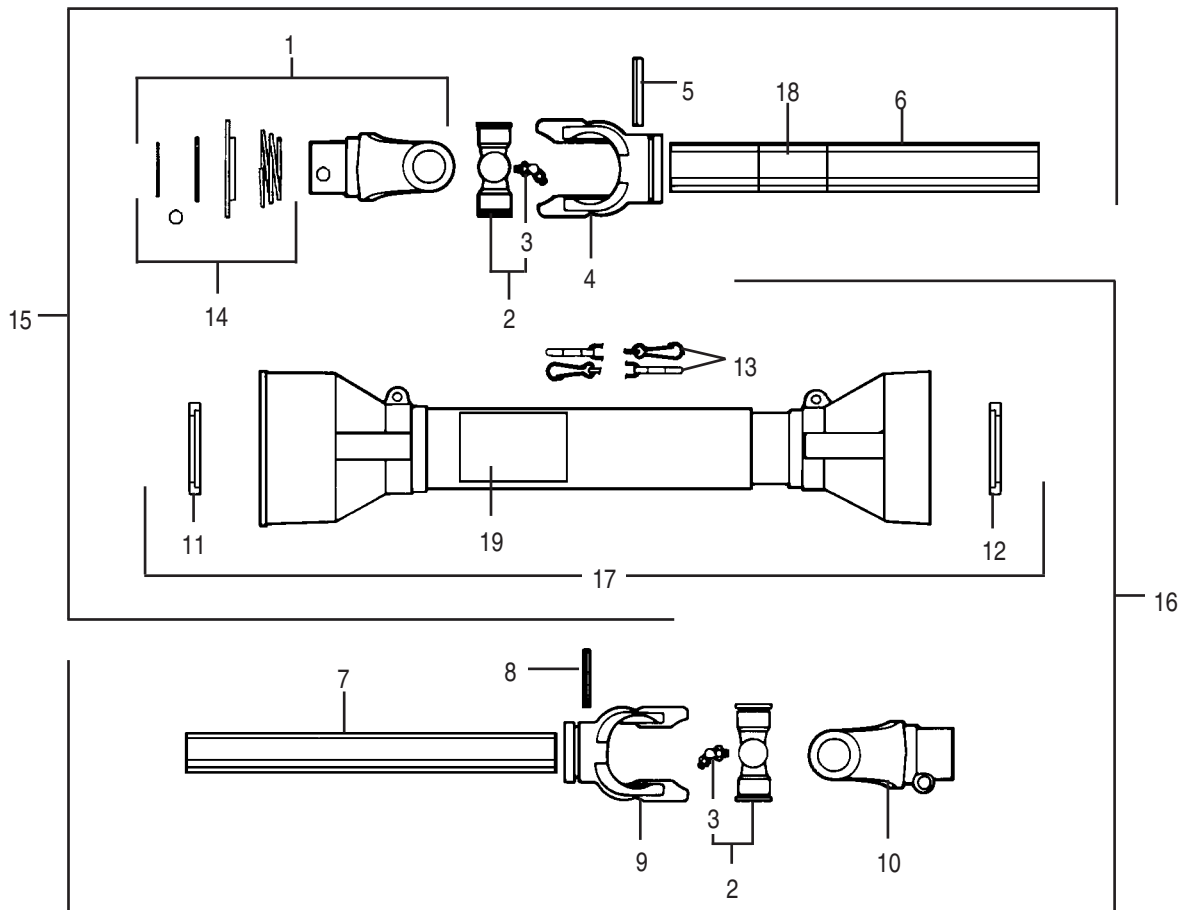


**7672 DRIVESHAFT ASSEMBLY**  
 (540 RPM 1-3/8" – 6 Spline Yoke)  
 Mfd. by Comer / EG  
 Replaces 93050 Driveshaft

REF. NO.	PART NO.	QTY.	DESCRIPTION
1	76808	1	Outer Half w/Shield
2	76096	1	Inner Half w/Shield
3	76126	1	Yoke & Pin Assy.
4	76062	1	Q.D. Pin Kit
5	64694	2	Cross Bearing Kit
6	63956	2	Grease Fitting
7	78571	1	Outer Yoke
8	78577	1	Roll Pin for Outer Yoke
9	82800	1	Outer Tube
10	78786	1	Danger Decal
11	82801	1	Inner Tube
12	78578	1	Roll Pin for Inner Yoke
13	78570	1	Inner Yoke
14	76146	1	Shield Assy.
15	76192	1	Outer Bearing
16	87992	6	Shield Bolt
17	76191	1	Inner Bearing
18	78608	1	Danger Decal
19	64814	2	Safety Chain
20	76711	1	Complete Collar Yoke
21	50017480	1	Ball Collar Kit 1-3/8"

76062 Push Pin Set 

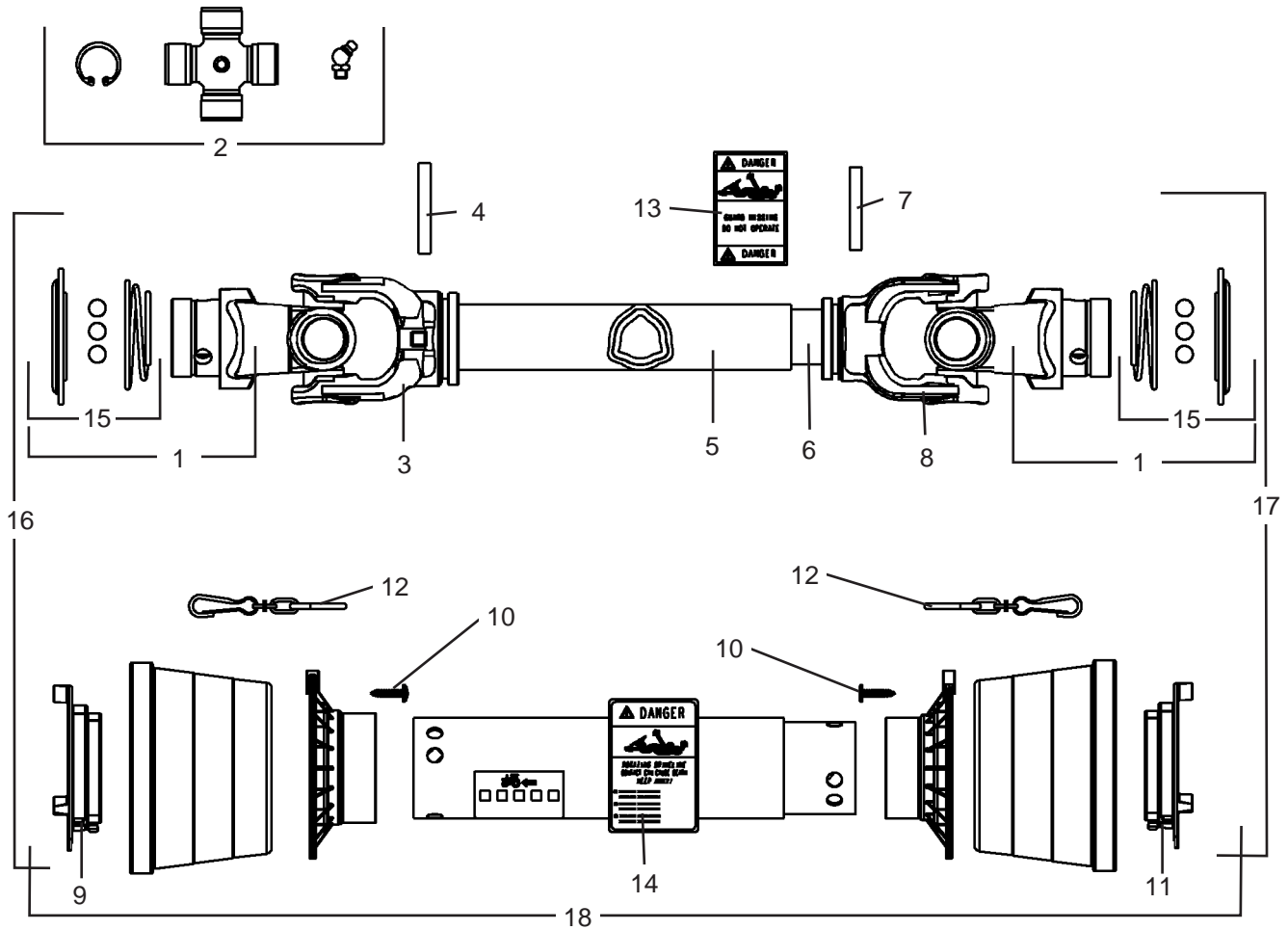
**Note:** Some early driveshafts were shipped with push pins on the tractor yoke end. Order 76062 push pin set to replace pin. Order 76711 for complete yoke replacement.



**50034246 DRIVESHAFT ASSEMBLY  
(OBSOLETE REPLACED BY 50063616)  
540 RPM, 1-3/8" – 6 spline, Mfd. by Binacchi  
Binacchi Size 4, ASAE Size 3**

REF. NO.	PART NO.	QTY.	DESCRIPTION
1	50035260	1	Complete Collar Yoke
2	64694	2	Cross Journal Set
3	63956	2	Grease Nipple
4	78571	1	Outer Tube Yoke
5	78577	1	Flexible Pin
6	82800	1	Outer Tube
7	82801	1	Inner Tube
8	78578	1	Flexible Pin
9	78570	1	Inner Tube Yoke
10	64692	1	Outer Yoke
11	90008	1	Outer Bearing
12	50042832	1	Inner Bearing
13	64814	2	Chain
14	50035261	1	Ball Collar Kit
15	50035268	1	Half Shaft, Outer
16	50035295	1	Half Shaft, Inner
17	90012	1	Safety Guard
18	78786	1	Danger Decal
19	78608	1	Danger Decal

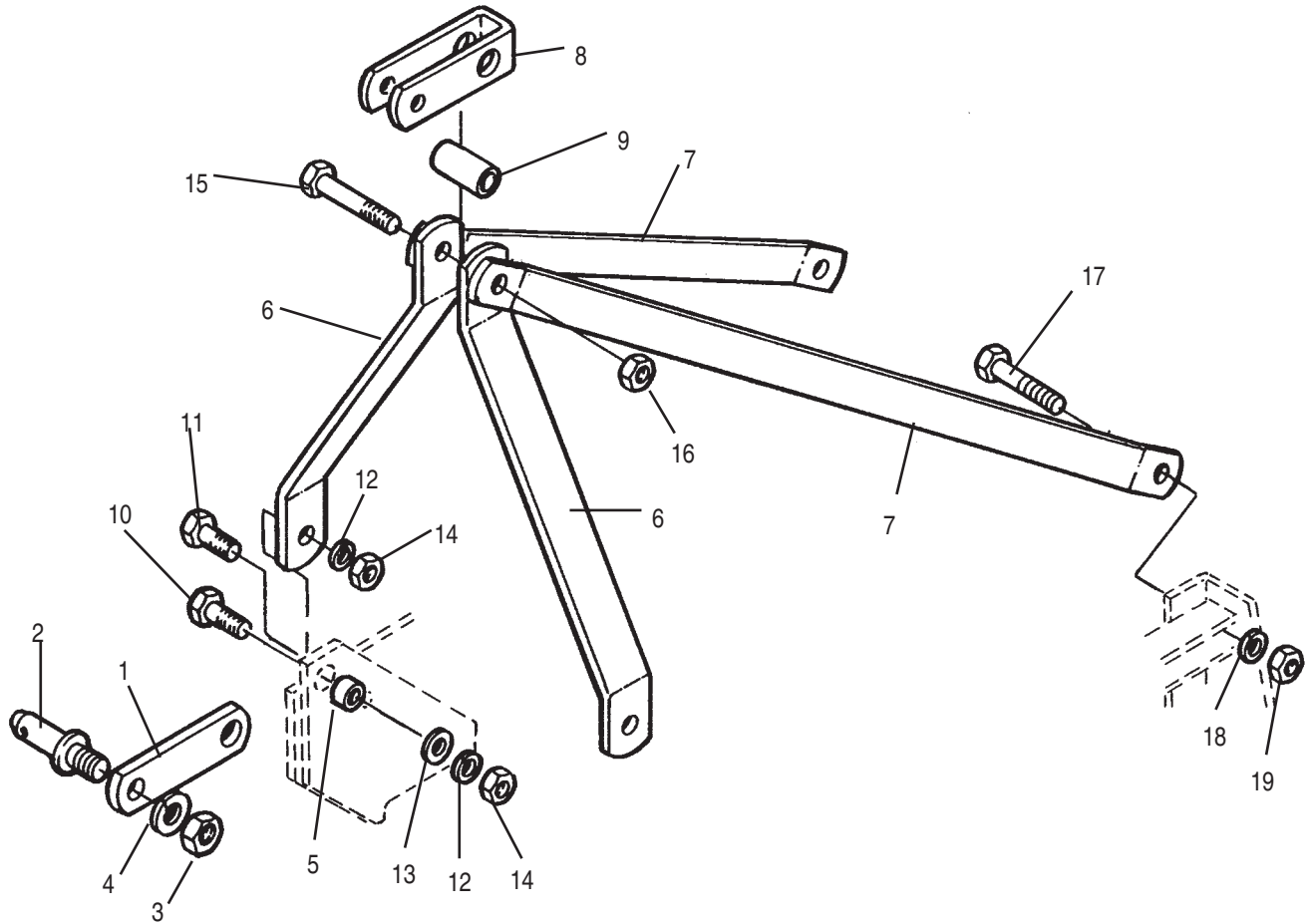
**50063616 DRIVE SHAFT ASSEMBLY**  
 (Replaces the 50034246 Driveshaft Assy.)  
**ASAE Size 3**  
**540 RPM, 1-3/8" - Spline Tractor**  
 Mfd. by Bondioli & Pavesi



REF. NO.	PART NO.	QTY.	DESCRIPTION
1	50064902	2	Ball Collar Yoke Assy.
2	64964	2	Cross Bearing Kit
3	78571	1	Yoke Outer Tube
4	78577	1	Roll Pin for Outer Tube
5	50064906	1	Outer Tube
6	50064907	1	Inner Tube
7	78578	1	Roll Pin Inner Tube
8	78570	1	Yoke for Inner Tube
9	50064911	1	Outer Shield Bearing

REF. NO.	PART NO.	QTY.	DESCRIPTION
10	71404	6	Self Tapping Screw
11	50064912	1	Inner Shield Bearing
12	50064890	2	Shield Chain
13	78786	1	Danger Decal, Outer Tube
14	78608	1	Danger Decal, Inner Tube
15	50064645	2	Ball Collar Kit
16	50064914	1	Outer Half Assy.
17	50064940	1	Inner Half Assy.
18	50064916	1	Complete Shield Kit



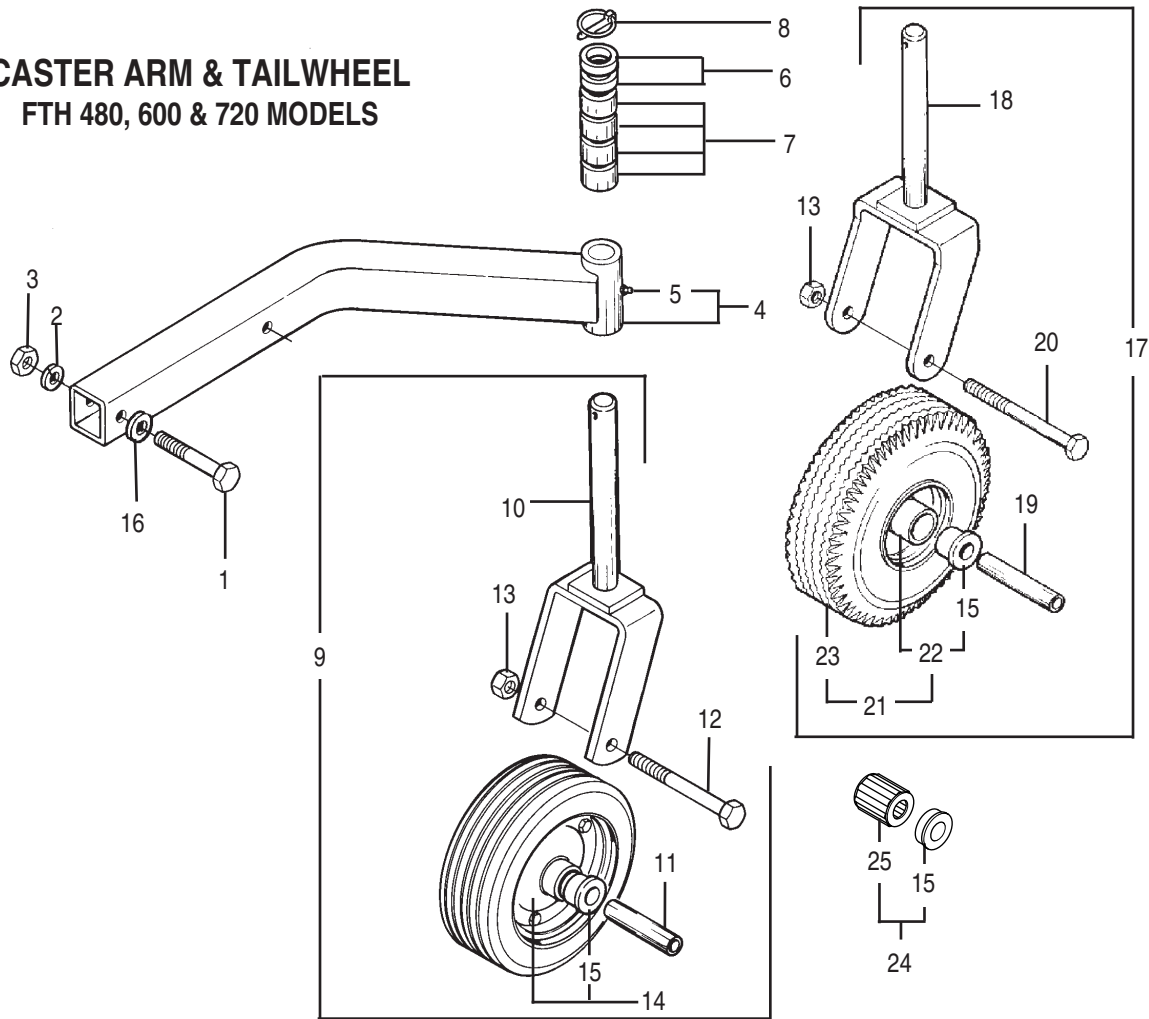


**MAST AND SUPPORTS  
FOR  
FTH 480, 600, 720 MODELS**

REF. NO.	PART NO.	QTY.	DESCRIPTION
1	88686	2	Lift Arm
2	63765	2	Lift Pin
3	44061	2	Hex Nut 7/8" UNF
4	15824	2	Lockwasher 7/8"
5	88687	2	Spacer
6	88678	2	Mast
7	88677	2	Mast Support
8	82815	1	Floating Top Link
9	82817	1	Pivot Tube
10	—	2	Capscrew 1/2" x 2" Gr. 5
11	—	2	Capscrew 1/2" x 1 1/2" Gr.5
12	—	4	Lockwasher 1/2"
13	—	2	Flatwasher 1/2"
14	—	4	Hex Nut 1/2"
15	—	1	Capscrew 1/2" x 5" Gr.5
16	15554	1	Locknut 1/2"
17	—	2	Capscrew 5/8" x 4" Gr. 5
18	—	2	Lockwasher 5/8"
19	—	2	Hex Nut 5/8"



**CASTER ARM & TAILWHEEL**  
**FTH 480, 600 & 720 MODELS**

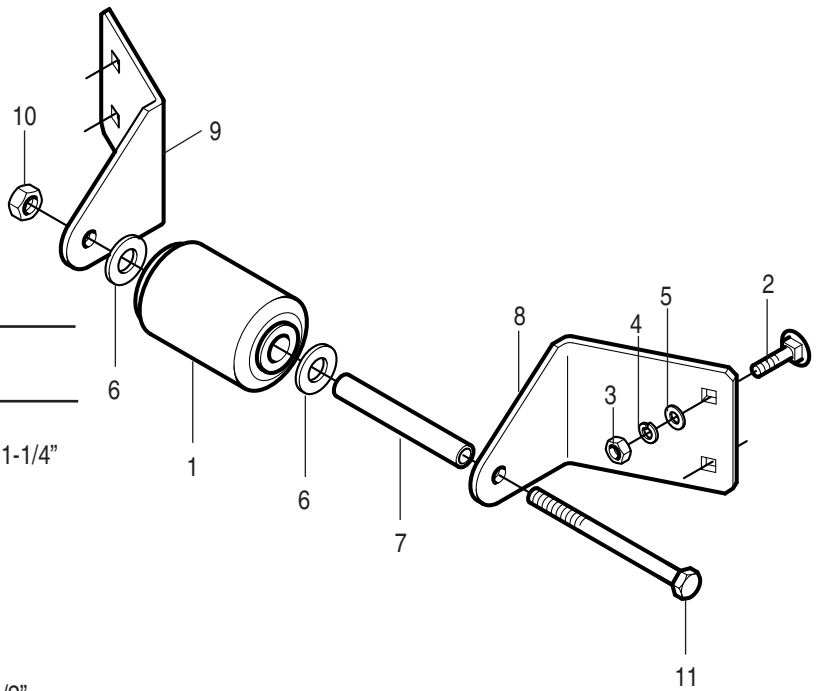


REF. NO	PART NO	QTY.	DESCRIPTION
1	—	6	Capscrew 5/8" x 3 1/2" Gr. 5
2	—	6	Lockwasher 5/8"
3	—	6	Hex Nut 5/8"
4	90659	4	Caster Arm Assy.
5	449	1	Grease Fitting
6	84612	4	Spacer 1/2"
7	84613	8	Spacer 1"
8	20312	2	Lynch Pin
9	88683	2	Wheel and Fork Assy. (Solid Tire)
10	88695	1	Fork Weldment (Solid Tire)
11	62574	1	Sleeve (Solid Tire)
12	44030	1	CapscREW 1/2" x 5" Gr.5
13	15554	1	Locknut 1/2"
14	87750	1	Solid Tire Assy.
15	85398	2	Bushing
16	20748	8	Flatwasher 5/8"
17	88956	2	Wheel & Fork Assembly (Pneumatic Tire)
18	88973	1	Fork Weldment (Pneumatic Tire)
19	88970	1	Sleeve (Pneumatic Tire)
20	20776	1	CapscREW 1/2" x 6" (Pneumatic Tire)
21	88957	1	Pneumatic Tire Assembly
22	88971	1	Rim w/ Bushings
23	88969	1	Pneumatic Tire 410/350/4
24	91096	1	Roller Bearing Kit (Items 15, 25) Optional <sup>1</sup>
25	90810	1	Roller Bearing

<sup>1</sup>91096 Bearing Kit includes (Qty. 4) 90810 Roller Bearings and (Qty. 8) 85398 Bushings.

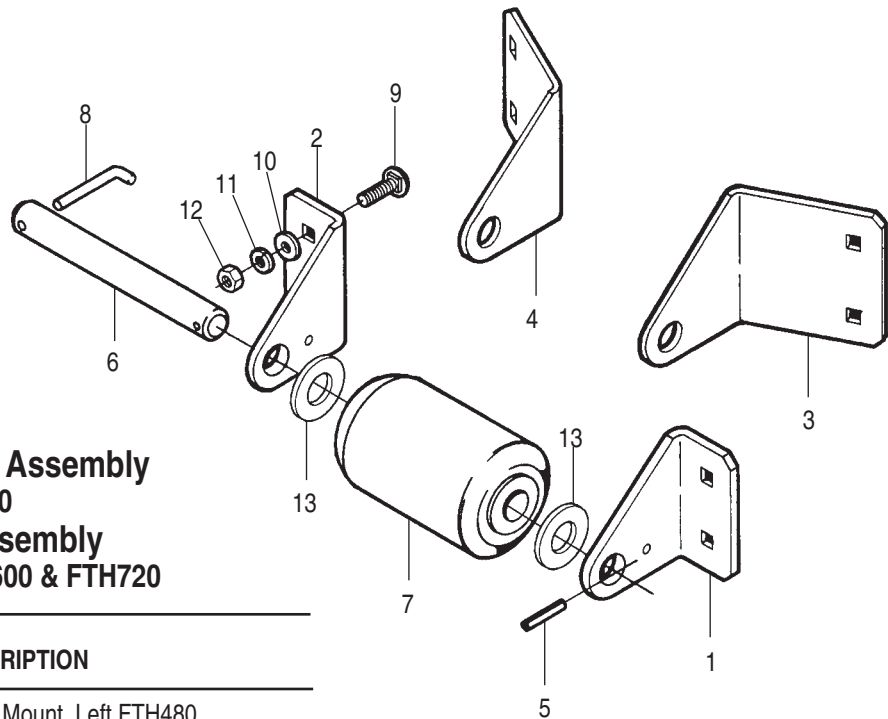
**90871 Front Roller Kit**  
**For Current Models FTH600 & FTH720**

REF. NO.	PART NO.	QTY.	DESCRIPTION
1	79057	1	Roller
2	05161212	4	Carriage Bolt 3/8" x 1-1/4"
3	—	4	Hex Nut 3/8"
4	—	4	Lockwasher 3/8"
5	—	4	Flatwasher 3/8"
6	—	2	Flatwasher 3/4"
7	50021170	1	Sleeve
8	50021169	1	Left Roller Mount
9	50021168	1	Right Roller Mount
10	15554	1	Locknut 1/2"
11	20580	1	Capscrew 1/2" x 6-1/2"



**90868 Front Roller Assembly**  
**For FTH480**  
**Front Roller Assembly**  
**For Early Models FTH600 & FTH720**

REF. NO.	PART NO.	QTY.	DESCRIPTION
1	90863	1	Roller Mount, Left FTH480
2	90862	1	Roller Mount, Right FTH480
3	90865	1	Roller Mount, Left FTH600 & FTH720
4	90864	1	Roller Mount, Right FTH600 & FTH720
5	19443	1	Roll Pin
6	83055	1	Roller Shaft
7	79057	1	Roller
8	83054	1	Retainer Pin
9	5161212	4	Carriage Bolt 3/8" x 1-1/4"
10	—	4	Flatwasher 3/8"
11	—	4	Lockwasher 3/8"
12	—	4	Hex Nut 3/8"
13	—	2	Flatwasher 3/4"







**BUSH HOG®**

2501 Griffin Ave. • Selma, AL 36703  
(334) 872-6261 • (334) 874-2700  
Parts Ordering 1-800-304-2836  
Fax 1-800-572-1784  
[www.bushhog.com](http://www.bushhog.com)

## Free Manuals Download Website

<http://myh66.com>

<http://usermanuals.us>

<http://www.somanuals.com>

<http://www.4manuals.cc>

<http://www.manual-lib.com>

<http://www.404manual.com>

<http://www.luxmanual.com>

<http://aubethermostatmanual.com>

Golf course search by state

<http://golfingnear.com>

Email search by domain

<http://emailbydomain.com>

Auto manuals search

<http://auto.somanuals.com>

TV manuals search

<http://tv.somanuals.com>