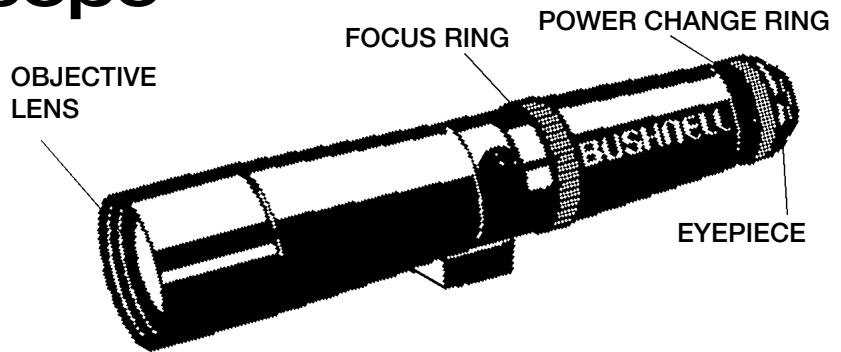




Lit#: 91-0027/03-01

## Natureview® Spotting Scope



### INSTRUCTIONS

Model: 78-1645

### CONGRATULATIONS,

You have one of the lightest and most versatile spotting/field telescopes in the world. The Natureview has a 60mm. diameter objective lens and has multi-coated optics for an exceptionally clear and crisp view. The extra-long eye relief is easier to use, especially for those who wear glasses or will use the scope for long periods of time.

#### FOCUSING:

The focusing system is easy and accurate. Rotate the Focusing Ring, until the image seems to be in sharp crisp focus. This is all there is to it. There is no need to overshoot or hunt for the correct focus. Once the image appears sharp, stop focusing - the image is in the best focus with minimum eye strain.

#### ZOOM EYEPIECE

The Natureview comes with a zoom eyepiece which gives a magnification range of 15-45 power. To change Magnification, grasp and rotate the Power Change Ring. The magnification will be indicated on the scale next to the index dot. It may be necessary to refocus the spotting scope after changing magnification.

#### TRIPOD ATTACHMENT:

To attach your Natureview spotting scope to the tripod, simply tighten the hand attachment screw on the tripod into the integral Tripod Mount hole on the base of the scope.

#### TELEPHOTOGRAPHY:

First remove dust caps from the eyepiece and objective lens. Then screw the photo adapter tube on to the spotting scope eyepiece. Thread the T-mount adapter on to the photo adapter tube. (See your dealer for the correct T-mount.) Attach the T-mount adapter to the camera like any other camera lens, adjust to the desired power and rotate the focus ring until the image is clear. You are now ready for telephotography.

#### MAINTENANCE:

Your Natureview does not require any maintenance beyond the occasional cleaning. With a cloth, brush off the outside of the spotting scope to remove any dirt or dust. You can use a mild household cleaner - sparingly - to remove any stubborn dirt. Keep the optics clean; do not allow dust or water to stay on the outside of the objective lens, the eyepiece window, or the eyepiece lenses. Follow the directions with the kit.

Do not disassemble the spotting scope. Unauthorized disassembly not only voids the warranty but may cause damage from the lack of special tools and techniques.

**SEE PAGE 2 FOR WARRANTY/REPAIR INFO**

## WARRANTY/REPAIR

### SPOTTING SCOPE LIFETIME LIMITED WARRANTY

Your spotting scope is warranted to be free of defects in materials and workmanship for the lifetime of the original owner. The Lifetime Limited Warranty is an expression of our confidence in the materials and mechanical workmanship of our products and is your assurance of a lifetime of dependable service. In the event of a defect under this warranty, we will, at our option, repair or replace the product, provided that you return the product postage prepaid. This warranty does not cover damages caused by misuse or improper handling, installation or maintenance of the product.

Any return made under this warranty must be accompanied by the items listed below:

- 1) A check in the amount of \$10.00 to cover the cost of handling
- 2) Name and address for product return
- 3) An explanation of the defect
- 4) Product should be well packed in a sturdy outside shipping carton to prevent damage in transit and return postage prepaid to the address listed below:

**IN U.S.A. Send To:**

Bushnell Performance Optics  
8500 Marshall Drive  
Lenexa, Kansas 66214

**IN CANADA Send To:**

Bushnell Performance Optics  
25A East Pearce Street, Unit 1  
Richmond Hill, Ontario L4B 2M9

For products purchased outside the United States and Canada please contact your local dealer for applicable warranty information. This warranty gives you specific legal rights. You may have other rights which vary from country to country.

©2001 Bushnell Performance Optics

## Free Manuals Download Website

<http://myh66.com>

<http://usermanuals.us>

<http://www.somanuals.com>

<http://www.4manuals.cc>

<http://www.manual-lib.com>

<http://www.404manual.com>

<http://www.luxmanual.com>

<http://aubethermostatmanual.com>

Golf course search by state

<http://golfingnear.com>

Email search by domain

<http://emailbydomain.com>

Auto manuals search

<http://auto.somanuals.com>

TV manuals search

<http://tv.somanuals.com>