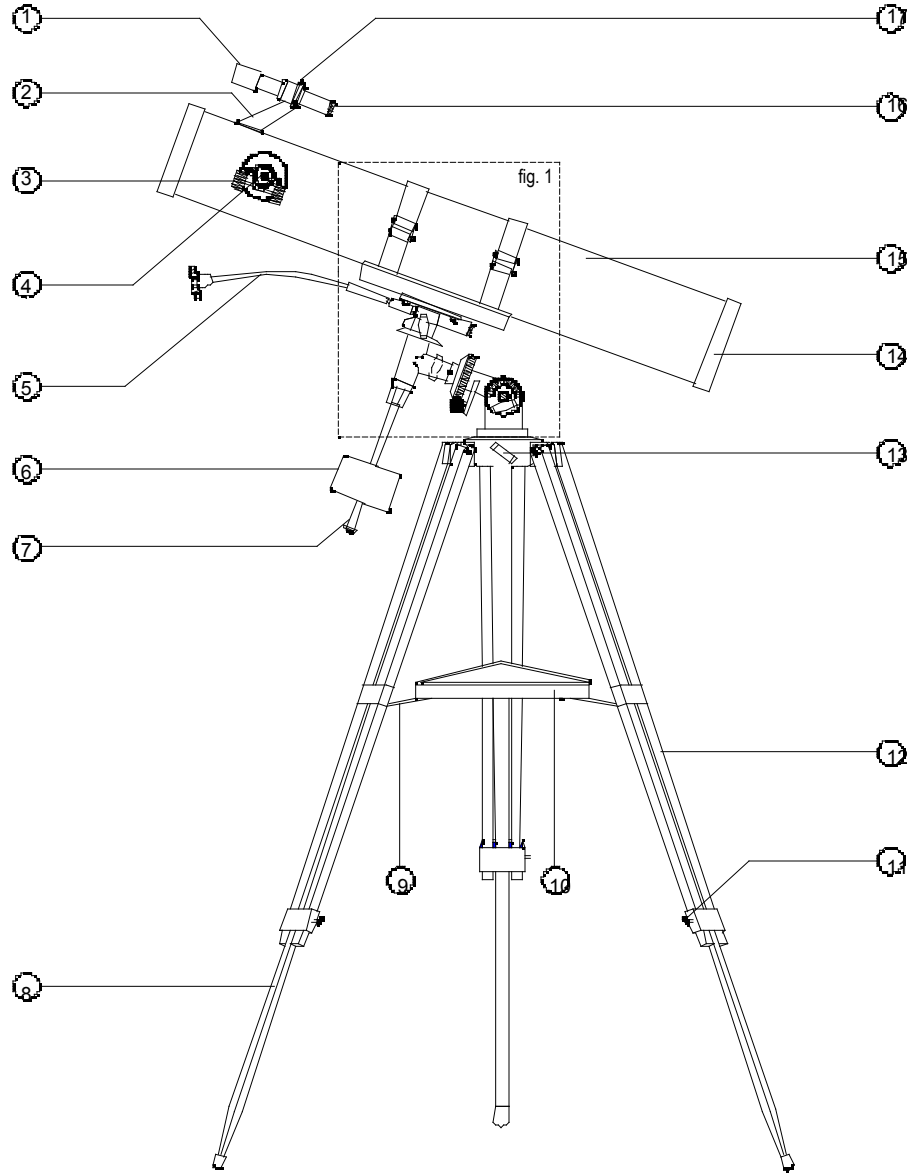


Bushnell®

DEEP SPACE SERIES

675 x 4.5" Reflector Telescope

Model 78-9518



- | | |
|--|---------------------------------------|
| 1. Finderscope | 13. Horizontal Axis Lock |
| 2. Finderscope Mount | 14. Primary Mirror (Internal) |
| 3. Rack & Pinion Focusing Mechanism | 15. Telescope Main Tube |
| 4. Eyepiece | 16. Finderscope Focus Adjustment |
| 5. Fine Adjustment Cables (2) | 17. Finderscope Adjustment Screws (3) |
| 6. Counterweight | 18. Declination Lock Knob |
| 7. Counterweight Shaft | 19. Declination Scale |
| 8. Tripod Leg Middle Section <small>See pg. 2 (fig. 1)</small> | 20. Equatorial Mount |
| 9. Accessory Tray Brace | 21. Right Ascension Lock Knob |
| 10. Accessory Tray | 22. Latitude Lock Knob |
| 11. Tripod Leg Lock Screws | 23. Latitude Scale |
| 12. Tripod Leg | 24. Right Ascension Scale |
| | 25. Cradles |

STANDARD EQUIPMENT

- Reflector Telescope Assembly
- Equatorial Mount
- Variable Height-Hardwood Tripod
- 4mm, 12mm, 20mm focal length - Eyepieces.
- 5 x 24 mm Finderscope w/ focus adjustment
- Accessory Tray
- 3x Barlow
- Accessory tray: 3-_" bolts, 6-_" washers, 3-wingnuts

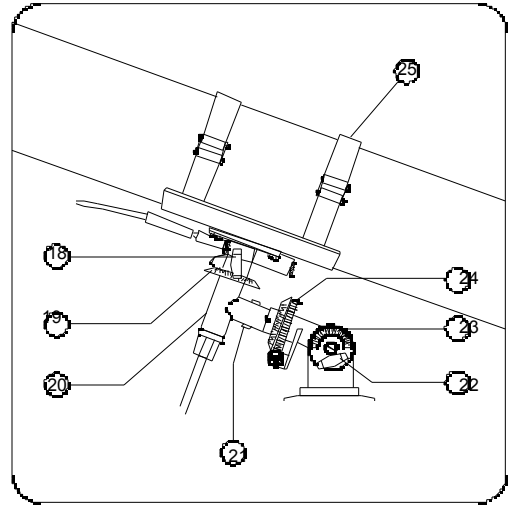


fig. 1

TELESCOPE ASSEMBLY

1. **Remove all components from the carton and identify all components. READ THROUGH ASSEMBLY INSTRUCTION BEFORE YOU ASSEMBLE YOUR TELESCOPE.**
2. **Set-Up Tripod**
 - Select one tripod leg. Loosen *Tripod Leg Lock Screw (11)* and extend the *Tripod Leg Middle Section (8)*. Tighten the *Tripod Leg lock Screw* so that the *Middle Section* is securely in place. Repeat for the remaining two legs.

3. **Attach Telescope and Finderscope**

- Locate the pre-assembled *Telescope Main Tube (15)* and *Equatorial Mount (20)*. **Note: Before assembling tripod legs to Equatorial Mount, make sure the Accessory Tray Braces (9) face inward.** Loosen long bolts at the top of *Tripod Leg (12)*. Carefully remove *Telescope Main Tube* from *Cradles (25)*. Position the mount over the *Tripod Leg* as shown (fig. 2). and secure *Equatorial Mount* to *Tripod Leg*. Repeat on the remaining two *Tripod Legs*. Once you have attached all *Tripod Legs* to the mount, securely tighten all wing nuts and place *Telescope Main Tube* back into *Cradles*.

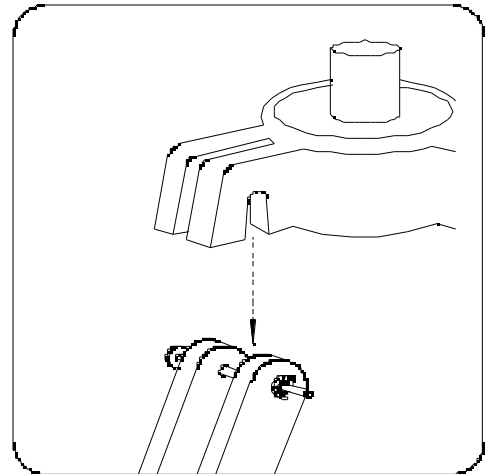


fig. 2

Locate the *Finderscope (1)* with pre-assembled *Finderscope Mount (2)*. Remove the two nuts located near the front of the telescope (closest to the eyepiece) and place the *Finderscope* and *Finderscope Mount* over the exposed screws. The *Finderscope Focus Adjustment (16)* should point towards the *Primary Mirror (14)*. Replace the nuts, and securely tighten the *Finderscope* and *Finderscope Mount* in place.

1. **Attach Accessory Tray**

- Locate the *Accessory Tray (10)*. Using the accessory tray bolts, wingnuts and washers connect the *Accessory Tray* to the *Accessory Tray Braces (9)*. Start with one tripod leg and attach wingnuts. Wingnuts should be positioned beneath the accessory tray. Do not tighten wingnuts until all *Accessory Tray Braces* are attached as some adjustments may be required.

2. **Attach Control Cables, Counterweight and Eyepieces**

- Locate the *Fine Adjustment Cables (5)*. Loosen the silver screws located at the end of the *Fine Adjustment Cables* and attach the *Fine Adjustment Cables* to the two silver posts found on the *Equatorial Mount*. The first post is located just above the *Declination Lock Knob (18)*, the second post is located below the *Right Ascension Scale (24)*.

3. Locate the **Counterweight (6)** and **Counterweight Shaft (7)**. Loosen the thumb screw located on the **Counterweight** and slide the **Counterweight** onto the **Counterweight Shaft**, then and tighten thumb screw to secure the **Counterweight**. Thread the **Counterweight Shaft** into the hole located directly below the **Declination Lock Knob (18)**. Make sure that the shaft is securely locked into mount.
4. Insert **Eyepiece (4)** into focusing tube to begin viewing.

Your Bushnell telescope is now ready to be used. To obtain the fullest enjoyment from your telescope, please refer to the additional information below.

HOW TO USE YOUR NEW TELESCOPE

Astronomical telescopes are designed in such a way that the image you will see appear will be UPSIDE DOWN and REVERSED, this is acceptable for viewing celestial bodies.

Selecting an Eyepiece:

1. You should always start viewing with the lowest power eyepiece, which in this case is the 20 mm lens. Note: the base power of each eyepiece is determined by the focal length of the telescope objective lens, which for this model is 900 mm. A formula can be used to determine the power of each eyepiece: **telescope OBJECTIVE lens focal length ÷ EYEPIECE focal length = MAGNIFICATION** (e.g. Using the 20 mm lens, the calculation would look like this: 900 mm ÷ 20mm = 45x or 45 power.)
2. Included with this telescope is a Barlow lens. Barlow lenses are used to double or triple the power of your telescope. Place your Barlow between the focusing tube and the eyepiece. Using the example above, your 3x Barlow lens would give you a total power of 135x or 135 power. (45 x 3 = 135x or 135 power)

Focusing Telescope:

1. After selecting the desired eyepiece, aim main telescope tube at a land-based target at least 200 yards away (e.g. A telephone pole or building). Fully extend focusing tube by turning **Rack and Pinion Focusing Mechanism (3)**.
2. While looking through selected eyepiece (in this case the 20 mm), slowly retract focusing tube by turning **Rack and Pinion Focusing Mechanism** until object comes into focus.

Aligning Finderscope:

1. Look through **Main Telescope Tube (15)** and establish a well-defined target. (see focusing telescope section) Tighten all lock knobs (Declination, Latitude, Right Ascension, Horizontal Axis and Cradle) so that telescope's aim is not disturbed.
2. Looking through **Finderscope (1)**, alternate tightening each **Finderscope Adjustment Screw (17)** until crosshairs of **Finderscope** are precisely centered on the same object already centered in **Main Telescope Tube's(15)** field of view.
3. Now, objects located first with the **Finderscope (20)** will be centered in the field of view of the main telescope.

Balancing the Telescope

1. Arrange the telescope so that the telescope body is horizontal to the floor (latitude of 0°). Loosen the **Right Ascension Lock (21)**. The telescope should now turn freely about the polar axis. Rotate the telescope about the polar axis so that the **Counterweight Shaft (7)** is parallel to the ground (horizontal).
2. Loosen the **Counterweight Lock Screw (located on the counterweight)**, and slide the **Counterweight (6)** along the shaft until the telescope remains stationary without drifting rotationally about the polar axis. Tighten the **Counterweight Lock Screw**, locking the **Counterweight** into position.
3. Now balance the telescope about the **Declination Axis**. Loosen the **Declination Lock Screw (18)** and the **Cradle Lock Knobs** (fig. 3) so that the telescope can slide freely inside the **Cradles (25)**. Slide the telescope up or down inside the rings until the telescope remains stationary without drifting rotationally about the **Declination Axis**. Tighten **Cradle Lock Knobs**. The telescope is now balanced.

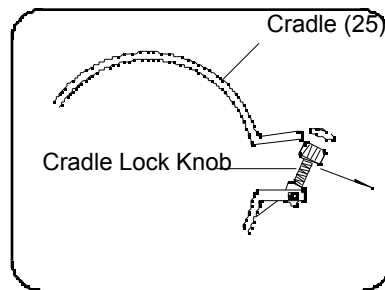


Fig. 3

UNDERSTANDING THE EQUATORIAL MOUNT

The **Equatorial Mount (20)** is designed to move in any direction. It can be set to allow manual controls to track the movements of celestial bodies across the sky. This is referred to as diurnal movement; movement of celestial bodies in the direction opposite to that of the earth's rotation and is around the earth's axis.

By aligning the telescope's polar axis at celestial North, you will place the telescope in parallel with the earth's axis and thus be able to locate stars in the sky based on star atlas information. To compensate for your position on earth, the polar axis is set in one of three ways:

- Set up the telescope at night. Loosen the **Declination Lock Knob (18)** and rotate the telescope around the declination axis until the arrow on the declination scale points to 90 degrees. Tighten the **Declination Lock Knob**. The telescope is now roughly in parallel with the polar axis.
- Loosen the **Horizontal Axis Lock Knob (13)** and turn the telescope until the objective end faces due north. This can be done by approximating the location of the pole star (Polaris or North Star) or by the use of a compass. True North is then found by directing the telescope at Polaris, as magnetic North is slightly away from true North.
- Look up the latitude of your area in any geographical atlas. Loosen the **Latitude Lock Knob (22)** and set the latitude scale to the correct latitude for your area. Aim the **Finderscope (1)** at Polaris. You will probably notice that Polaris is not dead center in the **Finderscope's** field of view. This is probably because your telescope is not absolutely level with the ground. Loosen the **Horizontal Axis Lock Knob (13)** again and turn the telescope so that it is directly aimed at Polaris. Tighten both the **Horizontal Axis Lock Knob** and **Latitude Lock Knob**. Polaris is 1 degree from the North celestial pole. Therefore, the sighting of stars will have to be slightly adjusted as you locate them in the heavens.

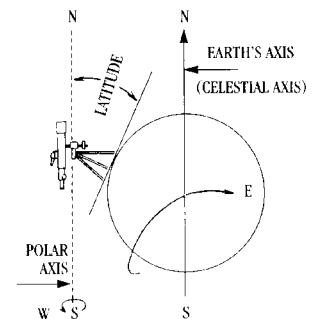


Fig. 1
POLAR AXIS AND EARTH'S AXIS

***Never Look Directly At The Sun With Your Telescope
Permanent Damage To Your Eyes May Occur***

ANSWERS TO COMMONLY ASKED QUESTIONS

<p>1. The image I see in the telescope is upside down and reversed from right to left ?</p>	<ul style="list-style-type: none"> An upside-down and reversed image is a common characteristic of all refractor telescopes. Since telescopes are used for astronomical viewing orientation is not important. An erecting lens can be purchased separately that will allow you to see a “natural” image. The image in the finderscope will also be upside down and reversed.
<p>2. How do I determine the power my telescope ?</p>	<ul style="list-style-type: none"> The power of your telescope can be determine by dividing the focal length of the objective lens by the focal length of the eyepiece. The eyepiece focal length is the number printed on the eyepiece. (For example: $1000 \div 25 = 40X$)
<p>3. Where do I find the Telescope Focal Length</p>	<ul style="list-style-type: none"> The telescope focal length is the same focal length as the objective focal length. For this telescope it is 900mm. Telescope focal lengths range from 450mm to 1000mm on Bausch & Lomb, Bushnell and Jason telescopes. Typical focal lengths are 600mm, 700mm, and 900 (Jason); 450, 750 and 910 (Bushnell); 900, 910 and 1000 for Bausch & Lomb.
<p>4. What can I see with my telescope ?</p>	<ul style="list-style-type: none"> Telescopes with power ranging from 25X to 50X can be used to view Star Clusters and Nebulae. 90X to 120X telescope can view galaxies. Most planets can be seen at 150X and higher.
<p>5. What do the numbers on the eyepiece mean ?</p>	<ul style="list-style-type: none"> The numbers on the eyepiece represents the “focal Length” of the eyepiece.

TROUBLESHOOTING GUIDE

<p><i>If after you have set-up your new telescope you are unable to see any objects, use this Quick Reference guide to help you to understand the cause of the problem and quickly determine a remedy</i></p>	
<p>1. I've completed the set-up yet I cannot see anything</p>	<ul style="list-style-type: none"> Check to see if objective lens cover has been removed. Try to view an object that is 200 or more yards away. If there is more than one eyepiece included with the telescope, use the lowest power (highest number) eyepiece to begin viewing. Use the Rack & Pinion Focusing Mechanism (3) to bring the object you are trying to view into focus

Telescope LIFETIME LIMITED WARRANTY

Your telescope is warranted to be free of defects in materials and workmanship for the lifetime of the original owner. The Lifetime Limited Warranty is an expression of our confidence in the materials and mechanical workmanship of our products and is your assurance of a lifetime of dependable service.

If your telescope contains electrical components the electronic components are warranted to be free of defects in materials and workmanship for one year after the date of purchase.

In the event of a defect under this warranty, we will, at our option, repair or replace the product, provided that you return the product postage prepaid. This warranty does not cover damages caused by misuse or improper handling, installation or maintenance of the product. Any return made under this warranty must be accompanied by the items listed below:

- 1) A check in the amount of \$15.00 to cover the cost of handling
- 2) Name and address for product return
- 3) An explanation of the defect
- 4) Product should be well packed in a sturdy outside shipping carton to prevent damage in transit and return postage prepaid to the address listed below:

IN U.S.A. Send To:

Bushnell * 8500 Marshall Drive * Lenexa, Kansas 66214

IN CANADA Send To:

Bushnell * 25A East Pearce Street, Unit 1 * Richmond Hill, Ontario L4B 2M9

For products purchased outside the United States and Canada please contact your local dealer for applicable warranty information. This warranty gives you specific legal rights. You may have other rights which vary from country to country.

©2001 Bushnell Performance Optics

Free Manuals Download Website

<http://myh66.com>

<http://usermanuals.us>

<http://www.somanuals.com>

<http://www.4manuals.cc>

<http://www.manual-lib.com>

<http://www.404manual.com>

<http://www.luxmanual.com>

<http://aubethermostatmanual.com>

Golf course search by state

<http://golfingnear.com>

Email search by domain

<http://emailbydomain.com>

Auto manuals search

<http://auto.somanuals.com>

TV manuals search

<http://tv.somanuals.com>