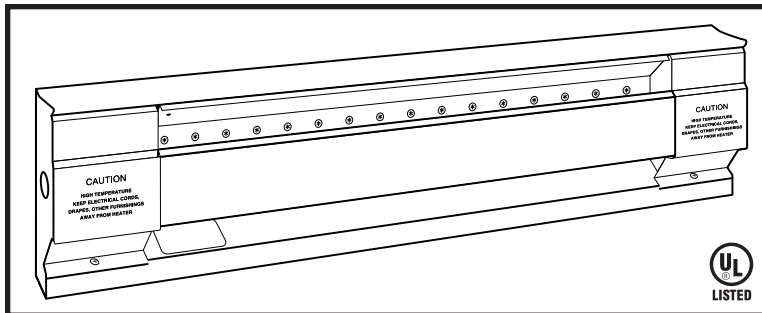




The Cadet Electric Baseboard

OWNER'S GUIDE



Features & Benefits

- Oversized high temperature limit switch with full length sensor for added safety
- Durable steel sheathed element with a limited lifetime warranty
- Easy installation with pre-punched case at 1" intervals
- Rugged steel construction
- Thermostat not included

240/208 VOLT MODELS

2F350	6F1500
2F500	8F2000
3F750	8F2500
4F1000	8F2025
5F1250	10F2500

208 VOLT MODELS

2F500-8	3F750-8	4F1000-8
5F1250-8	6F1500-8	8F2000-8
8F2500-8		

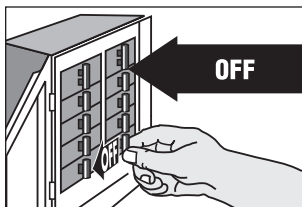
120 VOLT MODELS

2F500-1	3F750-1	4F1000-1
6F1500-1		

TOOLS REQUIRED

- #2 Phillips Screwdriver
- Drill Bits
- (4) Wood Screws
- Straight Screwdriver
- Wire Connectors
- (1) Strain Relief Connector
- Wire Strippers
- Drill or Hammer

IMPORTANT INSTRUCTIONS



⚠ WARNING!
Turn the electrical power off at the electrical panel board (circuit breaker or fuse box) and lock or tag the panel board door to prevent someone from turning on power while you are working on the heater. Failure to do so could result in serious electrical shock, burns, or possible death.

1. Read all instructions before using this heater.
2. Read all information labels. **Verify that the electrical supply wires are the same voltage as the heater.**
3. All electrical work and materials must comply with the National Electric Code (NEC), the Occupational Safety and Health Act (OSHA), and all state and local codes.
4. The heater must be grounded to the grounding pigtail (copper wire) provided.
5. If you need to install a new circuit or need additional wiring information, consult a qualified electrician.
6. Protect electrical supply from kinks, sharp objects, oil, grease, hot surfaces or chemicals.
7. Do not place heater against paperboard or low-density cellulose fiberboard surfaces.
8. Do not place heater below an electrical convenience receptacle.

9. **⚠ WARNING**
Overheating or fire may occur. Do not install the heater behind doors.
10. **⚠ WARNING**
Fire or explosion may occur. Heater has hot and arcing or sparking parts inside. Do not install heater in any area where combustible vapors, gases, liquids, or excessive lint or dust are present.
11. **⚠ WARNING**
Burn Hazard. This heater is hot when in use. To avoid burns, do not let bare skin touch hot surfaces. Use extreme caution when any heater is used by or near children or invalids and whenever the heater is left operating unattended.
12. **⚠ WARNING**
Risk of electrical shock. Keep all foreign objects out of heater. Do not operate after heater malfunctions or has been dropped or damaged in any manner.
13. **⚠ WARNING**
Risk of Fire. Do not block heater. Heater must be kept clear of all obstructions: minimum of 12 inches in front and above, 6 inches on both sides. Heaters must be kept clean of excessive lint, dirt and debris. (See Maintenance Instructions)
14. Use this heater only as described in this manual. Any other use not recommended by the manufacturer may cause fire, electrical shock, or injury to persons.

SAVE THESE INSTRUCTIONS

Installation Instructions

ABOUT THE CADET ELECTRIC BASEBOARD: The Cadet Electric Baseboard is designed to provide zonal heat to a room by using convection to naturally circulate warm air. Safety is Cadet's first priority. All F-Series electric baseboards feature an oversized high temperature limit switch with a full length capillary sensor tube that temporarily shuts the heater off when excessive operating temperatures are detected. For effective and safe operation, and to prolong the life of the heater, read all instructions and safety information, and follow the maintenance instructions in this Owner's Guide.

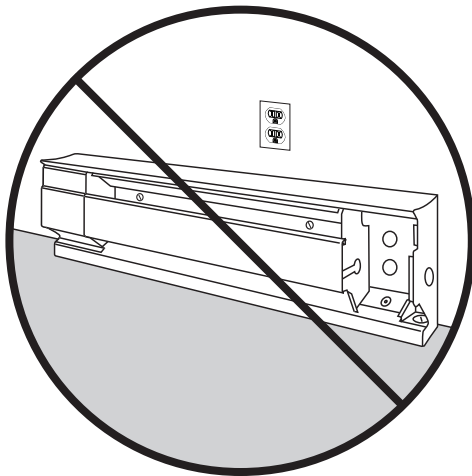
BEFORE PROCEEDING WITH THE INSTALLATION INSTRUCTIONS, YOU MUST CONSIDER SEVERAL FACTORS THAT ARE CRITICAL TO INSTALLATION

THERMOSTAT

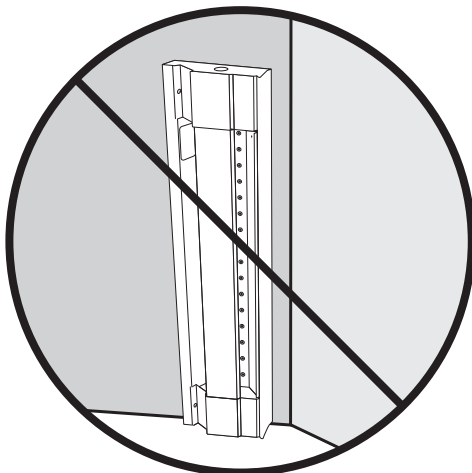
A thermostat is required. A Cadet wall thermostat is recommended for optimum performance, or you may prefer the convenience of a built-in thermostat kit. For instructions on wiring a thermostat, see the instructions that were included with your thermostat. **If you are installing a wall thermostat, refer to the section later in this guide titled "Baseboard Wiring With a Wall Thermostat" prior to installing the baseboard.**

PLACEMENT

For best results, install the baseboard heater under a window, along an outside wall, or as close as possible to an outside door. Follow these instructions for selecting an ideal area of installation:

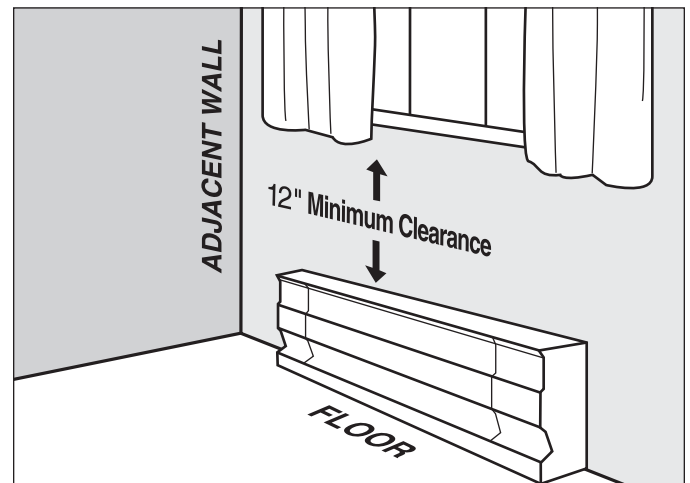


DO NOT INSTALL ANY BASEBOARD BELOW AN ELECTRICAL OUTLET



DO NOT INSTALL ANY BASEBOARD VERTICALLY. MOUNT THE BASEBOARD HORIZONTALLY ONLY

- The seam at the junction of the wall and floor behind the heater may need to be caulked to prevent dust from being drawn into the room.
- Heater should be set flush against surface of the wall.
- Remove any obstructions between the back of the unit and the surface of the wall.
- Baseboard heater may sit directly on any floor surface, including carpet.
- Do not allow carpet to block lower air intake located 1 inch from the bottom of the heater.
- Maintain at least 12 inches minimum clearance from objects hanging above (i.e. drapes).



WIRING

Wire connection is possible from either right or left side of the baseboard heater. Determine which side of the baseboard you are making wire connections by locating the supply wires. You must locate the supply wires before mounting the heater. See section titled "Baseboard Wiring With a Wall Thermostat" prior to wiring the baseboard if you are installing a wall thermostat.

VOLTAGE (ALL MODELS)

It is extremely important that you verify the electrical supply wires are the same voltage as the heater (i.e. 120 volt heater to 120 volt power supply and 240 volt heater to 240 volt power supply). If replacing an existing heater check the labels of the old heater and replace using same voltage. Hooking a 240 volt heater to a 120 volt power supply will drastically reduce the heater's output. Hooking a 120 volt heater to a 240 volt power supply will destroy the heater.

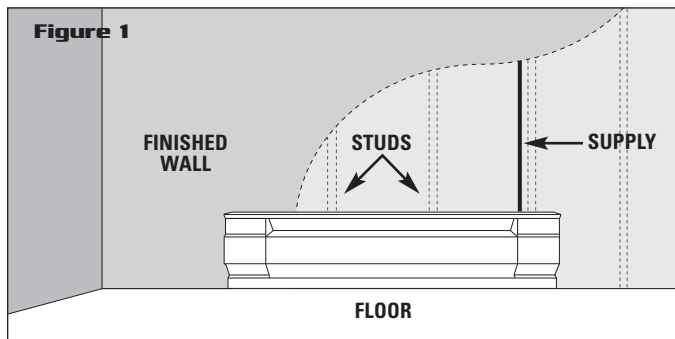
WATTAGE (FOR MODEL 8F2025)

Model 8F2025 is a multi-watt unit configured for either 2500 or 2000 watts. The heater is factory set for 2500 watts, but the instructions vary depending on your desired wattage and which side you are wiring. Make sure you follow the directions in the Owner's Guide for your specific application. It is best to decide on your desired wattage prior to installing the baseboard.

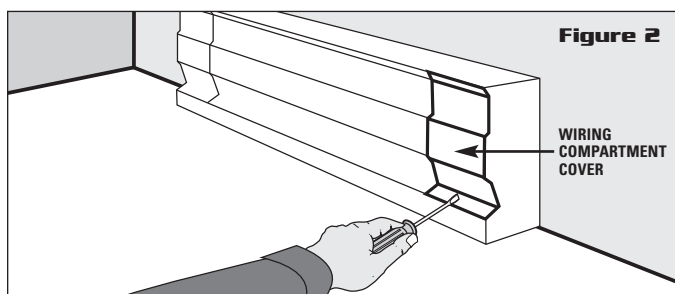
Installation Instructions

STEP 1: Mount Heater to Wall

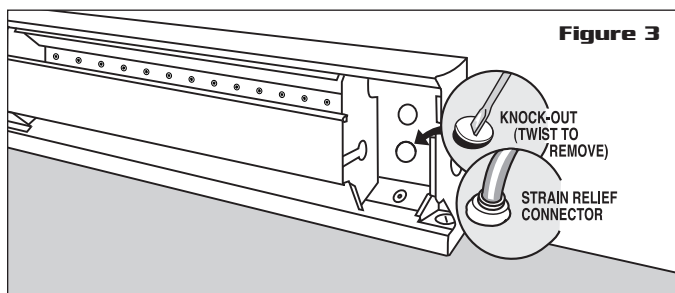
1. Locate wall studs closest to supply wires and position heater (See Figure 1). NOTE: Wire connection is possible from either right or left side of the baseboard heater.



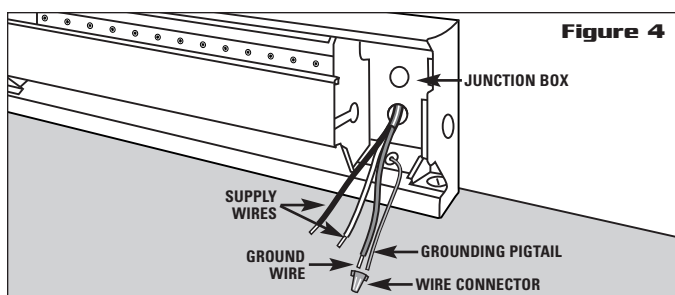
2. Remove the wiring compartment cover by removing the screw (See Figure 2). The wiring compartment is an approved junction box for the baseboard only. No additional junction box is required.



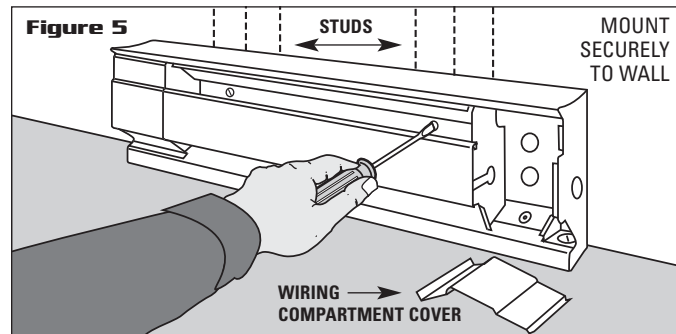
3. Remove the slotted knockout closest to the supply wires and install a strain relief connector (See Figure 3).



4. Pull supply wires through the connector and secure leaving 6 inch wire leads for later use (See Figure 4).



5. Mount the heater securely to the wall with nails or screws going into at least two wall studs (See Figure 5). The back of the heater has "star punch" dimples that allow nails or screws to easily pierce the sheet metal.



NOTE: You do not need to disassemble any additional parts to mount the heater.

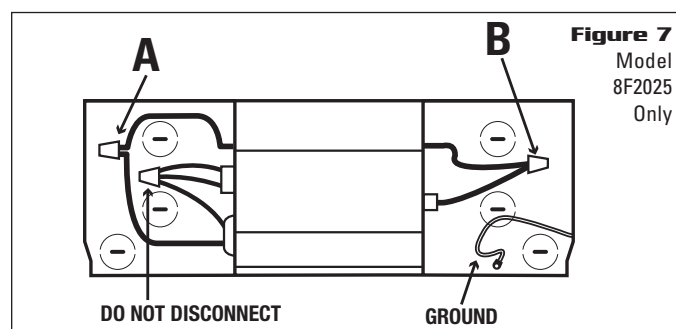
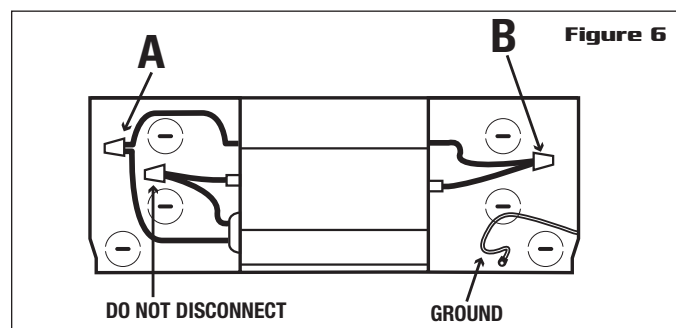
STEP 2: Baseboard Wiring

1. Verify the electrical supply wires are the same voltage as the heater. Check heater specifications to ensure correct wiring. Failure to do so may destroy the heater and void your warranty. Both 120 volt and 240 volt baseboard wiring utilize 3 supply wires.
120 volt baseboard wiring: 1 hot, 1 neutral and 1 ground
240 volt baseboard wiring: 2 hot and 1 ground. No neutral needed.
For all baseboard wiring applications, both supply wires must be connected to at least one (1) heater wire.

2. Connect the grounding lead to the grounding pigtail (copper wire) with a connector (See Figure 4). It may be necessary to move ground lead to the side you are wiring.

3. Disconnect one factory connector (See Figure 6. Model 8F2025 see Figure 7). If wiring on the left side, disconnect factory connector A. If wiring on the right side, disconnect factory connector B.

NOTE: There are no loose wires provided with the baseboard. This is due to the ability to wire the baseboard on either the right or left side of the heater.



4. Proceed to the next step.

Installation Instructions

STEP 2: Baseboard Wiring (continued)

Refer to the wiring diagram below that corresponds to your heater application.
 For single wattage baseboards, refer to "Standard Baseboards."
 For model 8F2025, refer to "Multi-Watt Baseboards."

STANDARD BASEBOARD WIRING ON RIGHT SIDE

120V OR 240V SUPPLY (See Figure 8)

1. Connect one supply wire to one heater wire.
2. Connect remaining supply wire to remaining heater wire.
3. Replace wiring compartment cover and secure with screw previously removed.
4. Turn power back on at the electrical panel board.

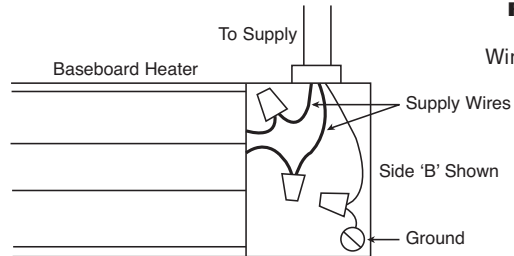


Figure 8
Right Side
Wiring Shown

STANDARD BASEBOARD WIRING ON LEFT SIDE

120V OR 240V SUPPLY (See Figure 9)

1. Connect one supply wire to one heater wire.
2. Connect remaining supply wire to remaining heater wire.
3. Replace wiring compartment cover and secure with screw previously removed.
4. Turn power back on at the electrical panel board.

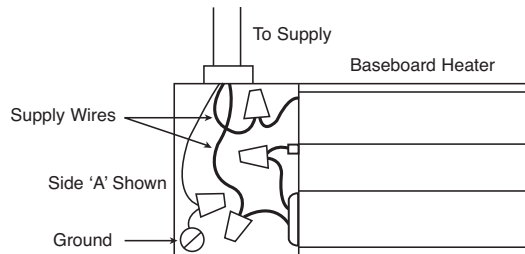


Figure 9
Left Side
Wiring Shown

MULTI-WATT BASEBOARDS: WIRING ON RIGHT SIDE

MODEL 8F2025 (See Figure 10)

1. Connect one supply wire to one heater wire.
2. Connect remaining supply wire to remaining heater wire.
3. Replace wiring compartment cover and secure with screw previously removed.
4. Selecting desired wattage
 - a. For 2500 watt applications: No action is required. Heater is factory set for 2500 watts.
 - b. For 2000 watt applications: Remove left wiring compartment cover. Cut red wire and cap both loose ends with approved wire connectors, or wrap both loose ends with electrical tape. Replace wiring compartment cover and secure with screw previously removed.
5. Turn power back on at the electrical panel board.

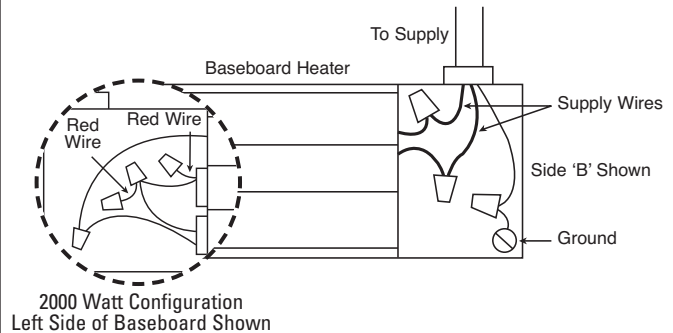


Figure 10
Right Side
Wiring Shown

MULTI-WATT BASEBOARDS: WIRING ON LEFT SIDE

MODEL 8F2025 (See Figure 11)

1. Connect one supply wire to one heater wire.
2. Connect remaining supply wire to remaining heater wire.
3. Selecting desired wattage
 - a. For 2500 watt applications: No action is required. Heater is factory set for 2500 watts.
 - b. For 2000 watt applications: Cut red wire and cap both loose ends with approved wire connectors, or wrap both loose ends with electrical tape.
4. Replace wiring compartment cover and secure with screw previously removed.
5. Turn power back on at the electrical panel board.

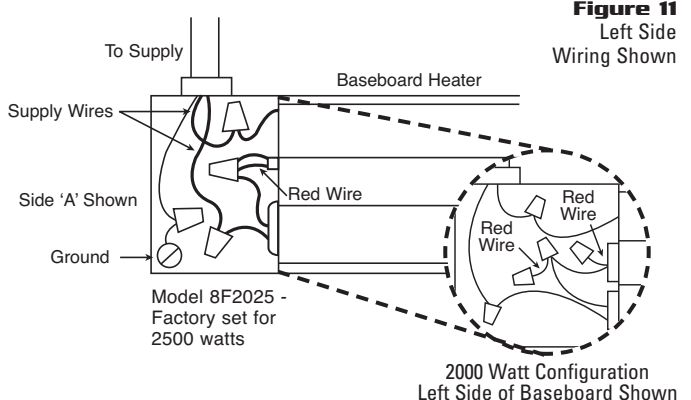


Figure 11
Left Side
Wiring Shown

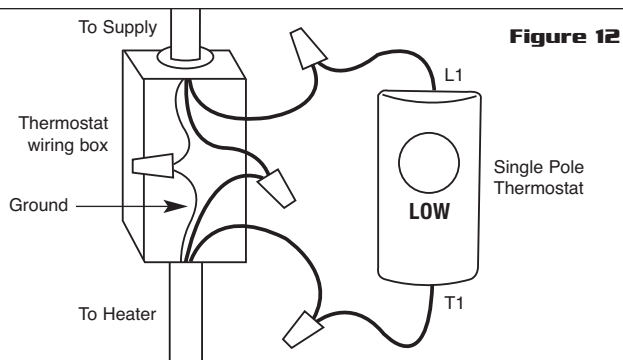
Baseboard wiring with a wall thermostat - Optional

Refer to the wiring diagram below that corresponds to your thermostat application. Note: Wiring diagrams are for reference only. See wall thermostat instructions included with your thermostat for your specific application.

For instructions on wiring using an in-built thermostat, see **Cadet BTF1, BTF2 and SBFT2 Installation Instructions**

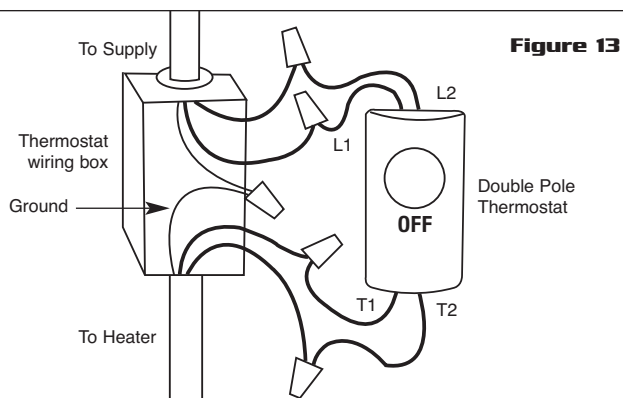
SINGLE POLE WALL THERMOSTAT

1. Route supply wires to the thermostat wiring box (if not already present).
2. Connect one supply wire to one thermostat wire (typically marked L1).
3. Route remaining thermostat wire (typically marked T1) to the baseboard heater.
4. Route remaining supply and ground wire to the baseboard heater.
5. Follow installation instructions for mounting and wiring baseboard heater.



DOUBLE POLE WALL THERMOSTAT

1. Route supply wires to the thermostat wiring box (if not already present).
2. Connect one supply wire to one thermostat wire (typically marked L1).
3. Connect remaining supply wire to other thermostat wire (typically marked L2).
4. Route remaining thermostat wires (typically marked T1 and T2) to the baseboard heater.
5. Route ground wire to the baseboard heater.
6. Follow installation instructions for mounting and wiring baseboard heater.



Multiple Baseboard Wiring - Optional

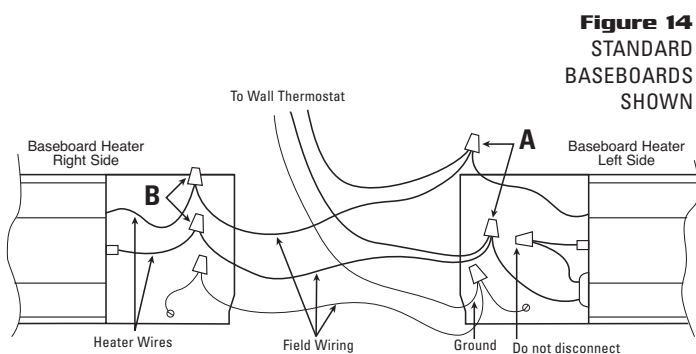
Follow the instructions below if you are wiring more than one heater in parallel on same circuit.
If you are wiring multiple baseboards to one control, it is recommended that you use one control per room.

MULTIPLE BASEBOARD WIRING. 240V SUPPLY ONLY

(See Figure 14)

1. Left side wiring: disconnect factory connector A. Right side wiring: disconnect factory connector B.
2. Connect one wire from each heater to one supply wire.
3. Connect remaining wire from each heater to the remaining supply wire.
4. Connect supply ground wire to both ground leads.

Note: Field wiring is not provided



Operation & Maintenance

How To Operate Your Heater

1. Switch the power on at the electrical panel board. PLEASE NOTE: Upon initial start-up, the heater may emit a burning odor. This is not dangerous, and is due to a protective lubricant used during the manufacturing process. It typically dissipates within several hours.
2. Turn the thermostat fully clockwise. ↻
3. When the room reaches your comfort level, turn the thermostat knob counterclockwise ↺ until a clicking sound is heard (if using a digital thermostat, set at desired room temperature). The baseboard will automatically cycle around this preset temperature.

Maintenance

Cadet electric baseboards are virtually maintenance-free. However, a certain amount of lint and dust will accumulate inside the unit and should be periodically cleaned:

1. Turn the electrical power off at the electrical panel board (circuit breaker or fuse box) and lock or tag the panel board door to prevent someone from turning on power while you are working on the heater. Failure to do so could result in serious electrical shock, burns, or possible death.
2. Vacuum inside the unit, being careful not to damage the aluminum fins on the heat exchanger.

Troubleshooting Chart

CONSULT LOCAL ELECTRICAL CODES TO DETERMINE WHAT WORK MUST BE PERFORMED BY QUALIFIED ELECTRICAL SERVICE PERSONNEL

Symptom	Problem	Solution
Snapping noise	<ol style="list-style-type: none"> 1. Unit may have a loose end plate 2. Heater may not be mounted properly 	<ol style="list-style-type: none"> 1. Loosen end plate screws ¼ turn after allowing heater to warm, move end plate back and forth, then tighten 2. Loosen heater from wall by turning mounting screws ¼ turn
Heater not working	<ol style="list-style-type: none"> 1. Heater does not have proper voltage to function correctly 2. Loose wire connections 3. Incorrect circuit breaker 4. Defective limit 	<ol style="list-style-type: none"> 1. Check voltage at the heater between supply wires and make sure it matches required heater voltage 2. Tighten any loose wire connections 3. Circuit breaker positioned incorrectly - relocate breaker 4. Replace limit
Heater will not shut off	<ol style="list-style-type: none"> 1. Heat loss from room is greater than heater capacity 2. Defective thermostat 3. Thermostat wired incorrectly to heater 4. Temperature in room lower than thermostat's lowest setting 	<ol style="list-style-type: none"> 1. Close doors and windows. Provide additional insulation, install a higher-wattage heater or multiple heaters if necessary 2. Adjust thermostat to its lowest setting. If heater continues to run (allow two minutes for the thermostat to respond), replace thermostat 3. Refer to thermostat documentation and correct wiring 4. Change thermostat to double pole model with positive off (single pole thermostats have a minimum temperature setting with no "off" position).
Black streaks (sooting) depositing on baseboard, walls, and drapes	<ol style="list-style-type: none"> 1. Excessive hydrocarbons present in home environment* 2. Not enough fresh air flowing through baseboard 3. Streaking being allowed to build up on room surfaces 	<ol style="list-style-type: none"> 1. Remove/reduce use of items emitting hydrocarbons. (Common sources: insect foggers, aerosol sprays, carpet cleaning chemicals, candles, plants, dust, cigarette smoke and fireplaces) 2. Increase amount of fresh air available in room. Do not use heater during any chemical usage (insect fogging, carpet cleaning, etc.) and allow for outside air exchange before re-use of heater(s) 3. More frequent cleaning of streaking to reduce amount of build-up

* Black soot and residue is formed by the combustion of hydrocarbons. Existing hydrocarbons in environment pass through heater element and scorch, exit the heater and deposit on walls and room surfaces. Note: The heater itself does not produce/release any hydrocarbons.

WARRANTY

Maintenance: For more effective and safer operation and to prolong the life of the heater, read the Owner's Guide and follow the maintenance instructions included with each heater. Failure to properly maintain the heater will void any warranty and may cause the heater to function improperly. Warranties are non transferable and apply to original consumer only. Warranty terms are set out below.

LIMITED LIFETIME WARRANTY: Cadet will repair or replace any Cadet baseboard (F) element found to be defective at any time.

THESE WARRANTIES DO NOT APPLY:

1. Damage occurs to the product through improper installation or incorrect supply voltage;
2. Damage occurs to the product through improper maintenance, misuse, abuse, accident, or alteration;
3. The product is serviced by anyone other than Cadet;
4. If the date of manufacture of the product cannot be determined;
5. If the product is damaged during shipping through no fault of Cadet.
6. CADET'S WARRANTY IS LIMITED TO REPAIR OR REPLACEMENT AS SET OUT HEREIN. CADET SHALL NOT BE LIABLE FOR DAMAGES SUCH AS PROPERTY DAMAGE OR FOR CONSEQUENTIAL DAMAGES AND/OR INCIDENTAL EXPENSES RESULTING FROM BREACH OF THESE WRITTEN WARRANTIES OR ANY EXPRESS OR IMPLIED WARRANTY.
7. IN THE EVENT CADET ELECTS TO REPLACE ANY PART OF YOUR CADET PRODUCT, THE REPLACEMENT PARTS ARE SUBJECT TO THE

SAME WARRANTIES AS THE PRODUCT. THE INSTALLATION OF REPLACEMENT PARTS DOES NOT MODIFY OR EXTEND THE UNDERLYING WARRANTIES. REPLACEMENT OR REPAIR OF ANY CADET PRODUCT OR PART DOES NOT CREATE ANY NEW WARRANTIES.

8. These warranties give you specific legal rights, and you may also have other rights which vary from state to state. Cadet neither assumes, nor authorizes anyone to assume for it, any other obligation or liability in connection with its products other than as set out herein.

If you believe your Cadet product is defective, please, contact Cadet Manufacturing Co. at 360-693-2505, during the warranty period, for instructions on how to have the repair or replacement processed. Warranty claims made after the warranty period has expired will be denied. Products returned without authorization will be refused.

Parts and Services

Visit <http://support.cadetco.com> for information on where to obtain parts and service.



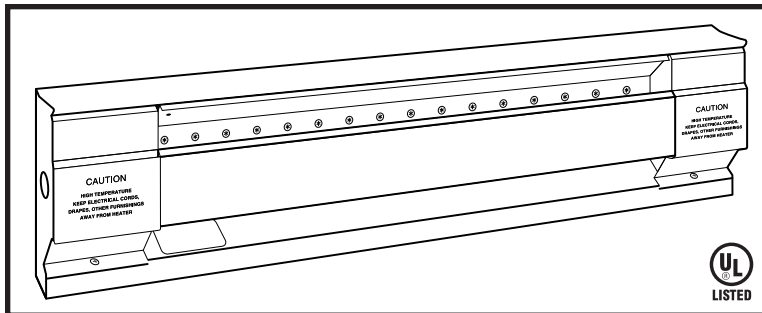
Reduce-Reuse-Recycle

This product is made primarily of recyclable materials. You can reduce your carbon footprint by recycling this product at the end of its useful life. Contact your local recycling support center for further recycling instructions.



Calentador Eléctrico de Plinto Radiante Cadet

GUÍA PARA EL PROPIETARIO



Características y Beneficios

- Interruptor de límite de alta temperatura de gran tamaño con sensor de plena longitud para mayor seguridad
- Durable elemento envainado de acero con garantía vitalicia limitada
- Fácil instalación con caja perforada a intervalos de 1"
- Construcción de acero reforzado
- No se incluye el termostato

MODELOS DE 240/208 VOLTIOS

2F350	6F1500
2F500	8F2000
3F750	8F2500
4F1000	8F2025
5F1250	10F2500

MODELOS DE 208 VOLTIOS

2F500-8	3F750-8	4F1000-8
5F1250-8	6F1500-8	8F2000-8
8F2500-8		

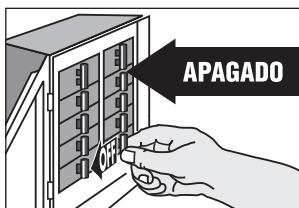
MODELOS DE 120 VOLTIOS

2F500-1	3F750-1	4F1000-1
6F1500-1		

HERRAMIENTAS REQUERIDAS

- #2 Destornillador Phillips
- Destornillador Plano
- Pelacables
- Taladro o Martillo
- Brocas
- (4) Tornillos Para Madera
- Conectores de alambres
- (1) Conector de Alivio de Tensión

INFORMACIÓN IMPORTANTE



⚠ ¡ADVERTENCIA!

Desconecte la electricidad en el tablero del panel eléctrico (caja de cortacircuitos o fusibles) y trabaje o coloque un cartel en la puerta del tablero del panel para evitar que alguien vuelva a conectar la energía mientras se esté trabajando en el calentador. De lo contrario podrían producirse graves golpes eléctricos, quemaduras e incluso la muerte.

1. Lea todas las instrucciones antes de usar este calentador.
2. Lea todas las etiquetas que contengan información. **Verifique que todos los cables de suministro eléctrico sean del mismo voltaje que el calentador.**
3. Todo trabajo y materiales eléctricos deben cumplir con el Código Eléctrico Nacional ("NEC", por su sigla en inglés), con la Ley de Seguridad y Salud Ocupacional ("OSHA", por su sigla en inglés) y con todos los códigos estatales y locales.
4. El calentador debe estar conectado al cable en espiral (hecho de cobre) de puesta a tierra suministrado.
5. Si se debe instalar un nuevo circuito o se necesita información adicional sobre el cableado, consulte a un electricista calificado.
6. Evite que los cables de suministro eléctrico se retuerzan o entren en contacto con objetos afilados, aceite, grasa, superficies calientes o sustancias químicas.
7. No coloque el calentador apegado a superficies de cartulina o de fibra de celulosa de baja densidad.
8. No coloque el calentador bajo un tomacorriente eléctrico.

9. ⚠ **ADVERTENCIA**
Podría producirse recalentamiento o un incendio. No instale el calentador detrás de alguna puerta.
10. ⚠ **ADVERTENCIA**
Podrían producirse explosiones o incendios. El calentador está caliente y contiene piezas que producen arcos voltaicos o chispas. No instale el calentador en áreas donde exista la presencia de vapores, gases o líquidos combustibles o exceso de pelusas o polvo.
11. ⚠ **ADVERTENCIA**
Riesgo de quemaduras. Este calentador se calienta mucho cuando está en uso. Para evitar quemaduras, no lo toque con su piel descubierta. Tenga mucho cuidado cuando use el calentador en o cerca de niños o de personas inválidas, y cada vez que deje el calentador funcionando sin vigilancia.
12. ⚠ **ADVERTENCIA**
Riesgo de electrocución. Evite que entren objetos extraños al calentador. No lo opere después de alguna avería, o si se ha caído o sufrido algún tipo de daño.
13. ⚠ **ADVERTENCIA**
Riesgo de incendio. No bloquee el calentador. El calentador debe mantenerse sin obstrucciones: un mínimo de 23 pulgadas pies por delante y por encima, y 6 pulgadas en cada costado. Los calentadores deben mantenerse sin pelusas, suciedad ni residuos excesivos. (Consulte las instrucciones de mantenimiento)
14. Use este calentador sólo como se describe en este manual. Todo otro uso no recomendado por el fabricante puede causar incendios, descargas eléctricas o lesiones personales.

CONSERVE ESTAS INSTRUCCIONES

Instrucciones Para La Instalación

ACERCA DEL ZÓCALO ELÉCTRICO CADET: El zócalo eléctrico Cadet está diseñado para brindar calor zonal a una habitación usando convección a fin de hacer circular el aire caliente en forma natural. La seguridad es la principal prioridad de Cadet. Todos los zócalos eléctricos de la serie F cuentan tanto con un interruptor límite de alta temperatura y gran tamaño como con un tubo sensor capilar de plena longitud que apaga provisoriamente el calentador cuando se detectan temperaturas de funcionamiento excesivas. Para una operación eficaz y segura, y para prolongar la vida útil del calentador, lea todas las instrucciones e información de seguridad y acate las instrucciones de mantenimiento de la presente Guía del propietario.

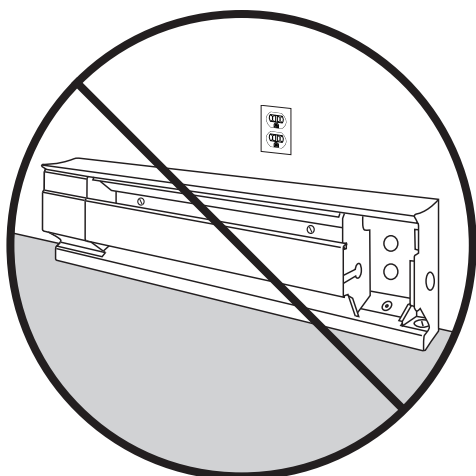
ANTES DE PROCEDER CON LAS INSTRUCCIONES DE INSTALACIÓN, DEBE CONSIDERAR VARIOS FACTORES QUE SON FUNDAMENTALES PARA LA MISMA

TERMOSTATO

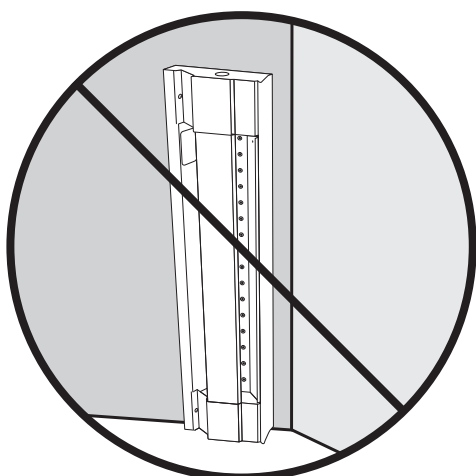
Se requiere un termostato. Se recomienda un termostato mural Cadet para un óptimo rendimiento, o bien puede optar por la comodidad de un juego de termostato incorporado. En las instrucciones incluidas con el termostato encontrará información sobre el cableado del mismo. Si va a instalar un termostato mural, antes de instalar el zócalo consulte la sección "Cableado del zócalo con un termostato mural" en esta guía.

UBICACIÓN

Para mejores resultados, instale el calentador de zócalo bajo una ventana, junto a una pared exterior o lo más cerca posible de una puerta que dé al exterior. Siga estas instrucciones para seleccionar un área de instalación ideal:

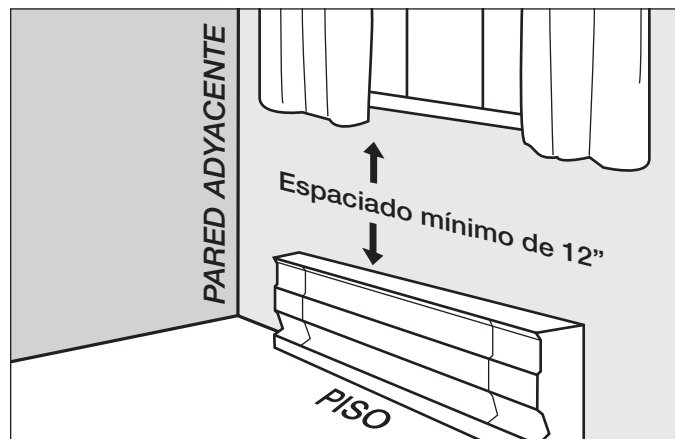


NO INSTALE NINGÚN ZÓCALO DEBAJO DE UN TOMACORRIENTE ELÉCTRICO



NO INSTALE NINGÚN ZÓCALO EN FORMA VERTICAL. MÓNTELO EN FORMA HORIZONTAL SOLAMENTE

- Puede que sea necesario calafatear la unión donde confluyen la pared y el piso detrás del calentador para evitar el ingreso de polvo a la habitación.
- El calentador se debe instalar a ras de la superficie de la muralla.
- Retire toda obstrucción entre la parte trasera de la unidad y la superficie de la pared.
- El calentador de zócalo puede instalarse directamente en la superficie de cualquier tipo de piso, incluyendo alfombra.
- No deje que la alfombra obstruya la toma de aire inferior situada a 1 pulgada debajo del calentador.
- Mantenga por lo menos un espaciado mínimo de 12 pulgadas respecto de los objetos que cuelguen por encima (por ejemplo, cortinas).



CABLEADO

La conexión de los alambres se puede hacer ya sea por el lado derecho o izquierdo del calentador de zócalo. Determine el lado por el cual hará las conexiones ubicando los cables de suministro. Debe ubicar los cables antes de montar el calentador. Si va a instalar un termostato mural, antes de cablear el zócalo consulte la sección "Cableado del zócalo con un termostato mural".

VOLTAJE (TODOS LOS MODELOS)

Es extremadamente importante verificar que los cables de suministro eléctrico sean del mismo voltaje que el calentador (es decir, un calentador de 120 voltios con un suministro de energía del mismo voltaje, y un calentador de 240 voltios con un suministro de energía de ese mismo valor). Si va a reemplazar un calentador existente, revise las etiquetas del calentador antiguo y sustitúyalo por otro del mismo voltaje. Si se conecta un calentador de 240 voltios a un suministro de energía de 120 voltios, se reducirá drásticamente el rendimiento del calentador. Si se conecta un calentador de 120 voltios a un suministro de energía de 240 voltios, se destruirá el calentador.

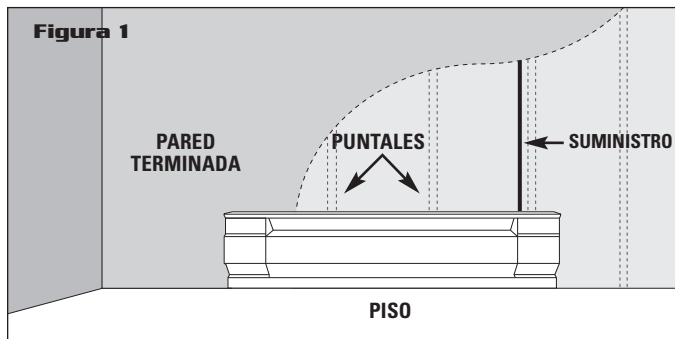
VATIJE (PARA EL MODELO 8F2025)

El modelo 8F2025 es una unidad de vatijaje múltiple configurada para 2500 ó 2000 vatios. El calentador viene fijado de fábrica en 2500 vatios, sin embargo las instrucciones pueden variar dependiendo del vatijaje deseado y el lado en que se cablee. Cerciórese de acatar las indicaciones de la Guía del propietario para su aplicación específica. Antes de instalar el zócalo decida primero el vatijaje deseado.

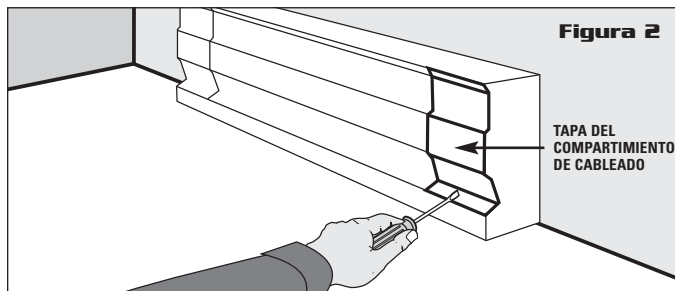
Instrucciones Para La Instalación

PASO 1: Montaje mural del calentador

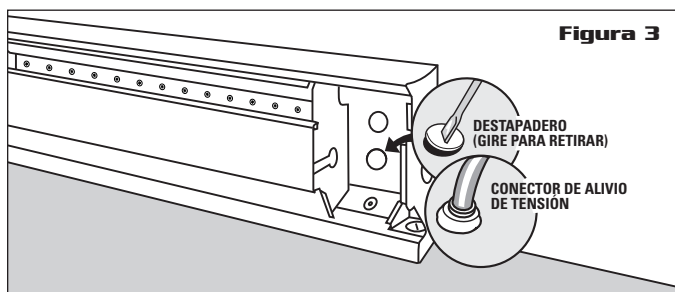
1. Ubique los puntales de la pared que estén más cerca de los cables de suministro y luego coloque el calentador (consulte la figura 1).
NOTA: La conexión de los cables se puede hacer ya sea por el lado derecho o izquierdo del calentador de zócalo.



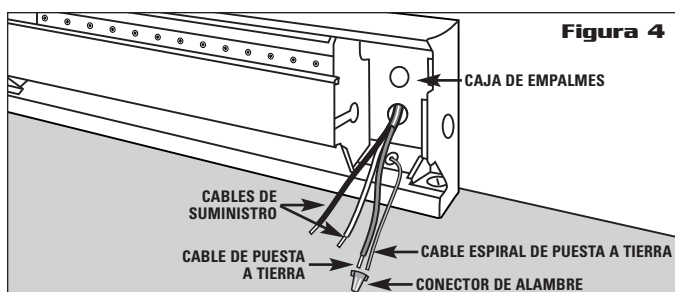
2. Retire la tapa del compartimento de cableado quitando el tornillo (consulte la figura 2). Dicho compartimento es una caja de conexiones aprobada sólo para el zócalo. No se requiere una caja de empalmes adicional.



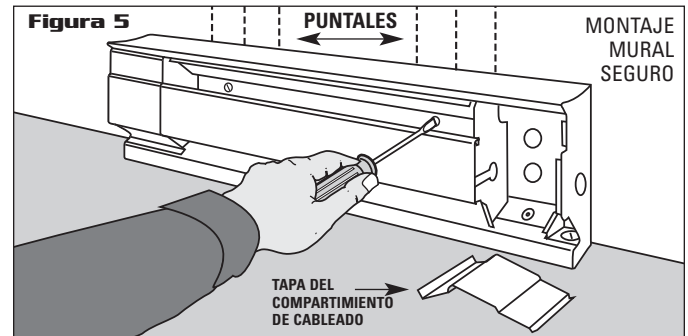
3. Retire el destapadero ranurado más cercano a los cables de suministro e instale un conector con alivio de la tensión (consulte la figura 3).



4. Tire los cables de suministro por el conector y fíjelos dejando que sobresalgan 6 pulgadas para su uso posterior (consulte la figura 4).



5. Monte el calentador de manera firme en la pared con clavos o tornillos que se inserten en al menos dos puntales (consulte la figura 5). La parte trasera del calentador tiene orificios con forma de estrella que permiten penetrar fácilmente la placa metálica con clavos o tornillos.



NOTA: No es necesario desarmar ninguna pieza adicional para montar el calentador.

PASO 2: Cableado del zócalo

1. Verifique que todos los cables de suministro eléctrico sean del mismo voltaje que el calentador. Revise las especificaciones del calentador para cerciorarse de realizar el cableado correcto. En caso contrario, podría destruir el calentador e invalidar la garantía.

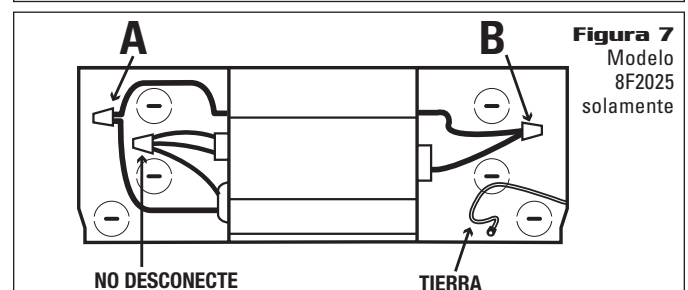
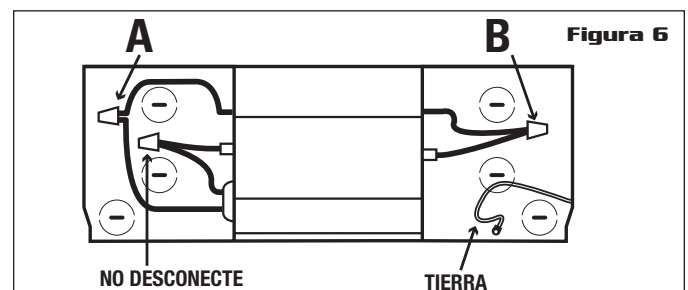
El cableado del zócalo tanto de 120 voltios como el de 240 usa 3 cables de suministro.

Cableado del zócalo de 120 voltios: 1 activo, 1 neutro y 1 a tierra
Cableado del zócalo de 240 voltios: 2 activos y 1 a tierra. No requiere neutro.

Para todas las aplicaciones de cableado de zócalos, ambos cables de suministro deben conectarse a por lo menos un (1) alambre del calentador.

2. Empalme el conductor a tierra al cable en espiral (de cobre) de puesta a tierra con un conector (consulte la figura 4). Puede que sea necesario mover el conductor de tierra hacia el lado donde está realizando el cableado.
3. Desempalme un conector de fábrica (consulte la figura 6; para el modelo 8F2025 consulte la figura 7). Si va a cablear en el lado izquierdo, desempalme el conector de fábrica A. Si va a cablear en el lado derecho, desempalme el conector de fábrica B.

NOTA: El zócalo no se proporciona con cables sueltos. Ello se debe a la capacidad de cablear el zócalo ya sea en el lado derecho o izquierdo del calentador.



4. Prosigua con el paso siguiente.

Instrucciones Para La Instalación

PASO 2: Cableado del zócalo (continuación)

Consulte el siguiente diagrama de cableado que corresponda a su calentador.
 Para zócalos de vatiaje único consulte la sección "Zócalos estándar".
 Para el modelo 8F2025, consulte la sección "Zócalos de vatiaje múltiple".

ZÓCALOS ESTÁNDAR: CABLEADO EN EL LADO DERECHO

SUMINISTRO DE 120V Ó 240V (Consulte la figura 8)

1. Conecte un cable de suministro a un alambre del calentador.
2. Conecte el cable de suministro restante al otro alambre del calentador.
3. Tape el compartimiento de cableado y afiáncele con el tornillo que retiró anteriormente.
4. Vuelva a conectar la alimentación en el tablero del panel eléctrico.

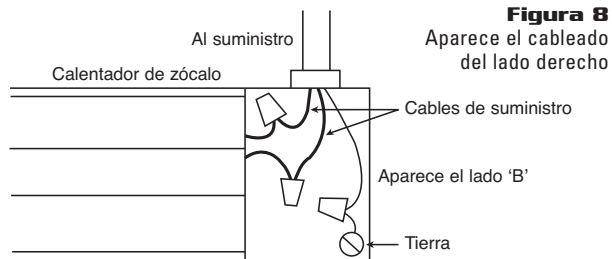


Figura 8

Aparece el cableado del lado derecho

ZÓCALOS ESTÁNDAR: CABLEADO EN EL LADO IZQUIERDO

SUMINISTRO DE 120V Ó 240V (Consulte la figura 9)

1. Conecte un cable de suministro a un alambre del calentador.
2. Conecte el cable de suministro restante al otro alambre del calentador.
3. Tape el compartimiento de cableado y afiáncele con el tornillo que retiró anteriormente.
4. Vuelva a conectar la alimentación en el tablero del panel eléctrico.

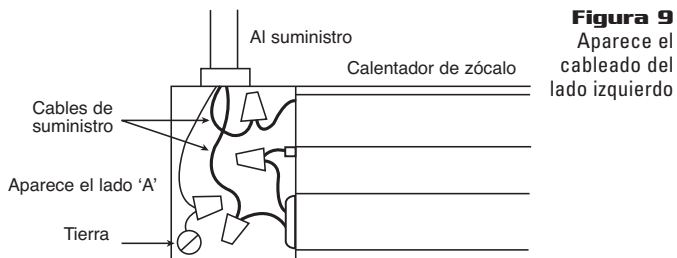


Figura 9

Aparece el cableado del lado izquierdo

ZÓCALOS DE VATIAJE MÚLTIPLE: CABLEADO EN EL LADO DERECHO

MODELO 8F2025 (Consulte la figura 10)

1. Conecte un cable de suministro a un alambre del calentador.
2. Conecte el cable de suministro restante al otro alambre del calentador.
3. Tape el compartimiento de cableado y afiáncele con el tornillo que retiró anteriormente.
4. Selección del vatiaje deseado
 - a. Para aplicaciones de 2500 vatios: No se requiere ninguna acción. El calentador viene fijado de fábrica en 2500 vatios.
 - b. Para aplicaciones de 2000 vatios: Retire la tapa del compartimiento de cableado izquierdo. Corte el alambre rojo y cubra los extremos sueltos con conectores de alambres aprobados o envuelva dichos extremos con cinta para uso eléctrico. Tape el compartimiento de cableado y afiáncele con el tornillo que retiró anteriormente.

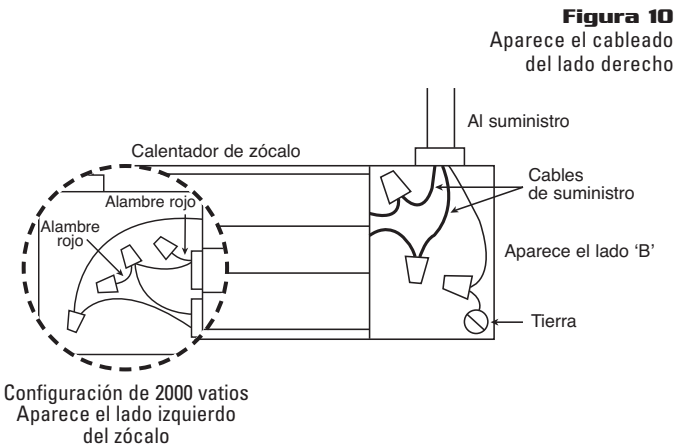


Figura 10

Aparece el cableado del lado derecho

Configuración de 2000 vatios
 Aparece el lado izquierdo del zócalo

ZÓCALOS DE VATIAJE MÚLTIPLE: CABLEADO EN EL LADO IZQUIERDO

MODELO 8F2025 (Consulte la figura 11)

1. Conecte un cable de suministro a un alambre del calentador.
2. Conecte el cable de suministro restante al otro alambre del calentador.
3. Selección del vatiaje deseado
 - a. Para aplicaciones de 2500 vatios: No se requiere ninguna acción. El calentador viene fijado de fábrica en 2500 vatios.
 - b. Para aplicaciones de 2000 vatios: Corte el alambre rojo y cubra los extremos sueltos con conectores de alambres aprobados o envuelva dichos extremos con cinta para uso eléctrico.
4. Tape el compartimiento de cableado y afiáncele con el tornillo que retiró anteriormente.
5. Vuelva a conectar la alimentación en el tablero del panel eléctrico.

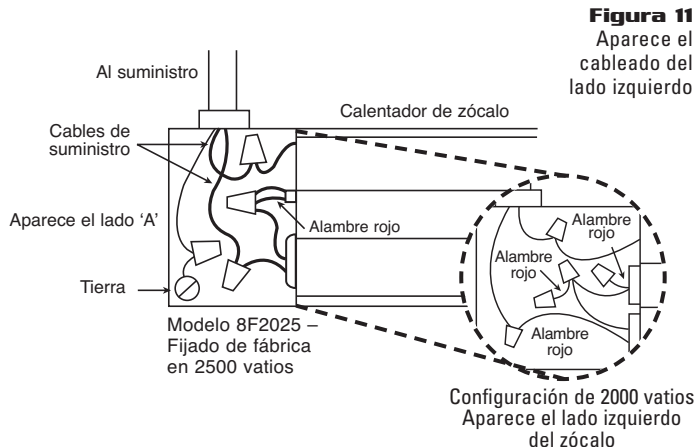


Figura 11

Aparece el cableado del lado izquierdo

Configuración de 2000 vatios
 Aparece el lado izquierdo del zócalo

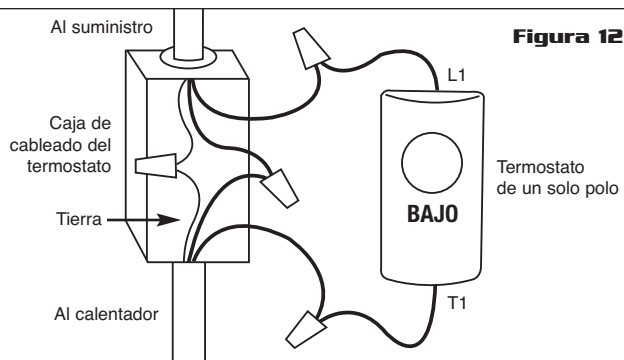
Cableado del zócalo con un termostato mural – Opcional

Consulte el siguiente diagrama de cableado que corresponda a su termostato. Nota: Los diagramas de cableado son sólo de referencia. Consulte las instrucciones del termostato mural incluidas para su aplicación específica.

Si desea información sobre el cableado usando un termostato incorporado, consulte las instrucciones de instalación de BTF1, BTF2 y SBFT2 de Cadet

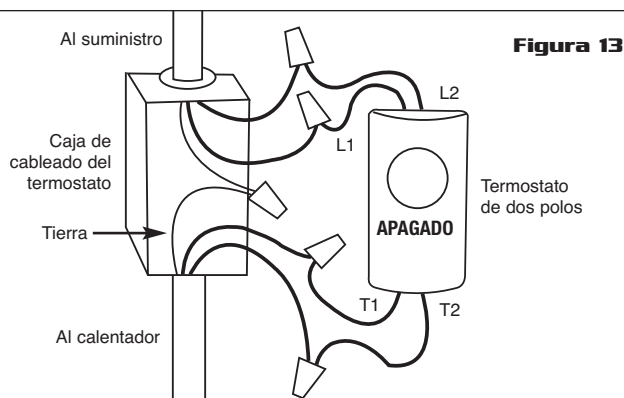
TERMOSTATO MURAL DE UN SOLO POLO

1. Tienda los cables de suministro a la caja de cableado del termostato (si no están presentes).
2. Conecte un cable de suministro a un alambre del termostato (marcado comúnmente L1).
3. Tienda el alambre restante del termostato (comúnmente marcado T1) al calentador de zócalo.
4. Tienda el cable de suministro y puesta a tierra restante al calentador de zócalo.
5. Siga las instrucciones de instalación para montar y cablear el calentador de zócalo.



TERMOSTATO MURAL DE DOS POLOS

1. Tienda los cables de suministro a la caja de cableado del termostato (si no están presentes).
2. Conecte un cable de suministro a un alambre del termostato (marcado comúnmente L1).
3. Conecte el cable de suministro restante al otro alambre del termostato (marcado comúnmente L2).
4. Tienda los alambres restantes del termostato (comúnmente marcados T1 y T2) al calentador de zócalo.
5. Tienda el cable de puesta a tierra al calentador de zócalo.
6. Siga las instrucciones de instalación para montar y cablear el calentador de zócalo.



Cableado de múltiples zócalos - Opcional

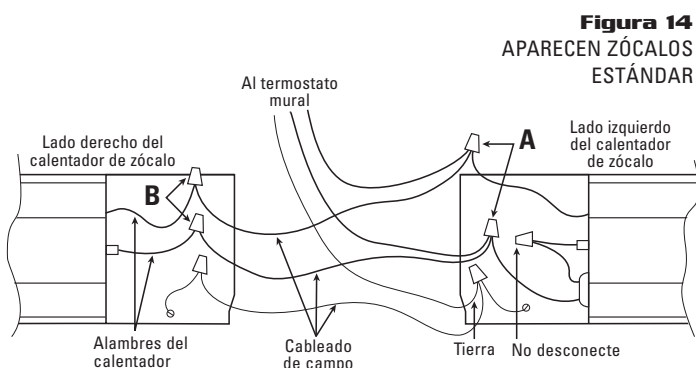
Siga las instrucciones que se indican a continuación si va a cablear más de un calentador en paralelo en el mismo circuito. Si va a cablear múltiples zócalos a un solo control, se recomienda usar un control por habitación.

CABLEADO DE MÚLTIPLES ZÓCALOS. SUMINISTRO DE 240V SOLAMENTE

(Consulte la figura 14)

1. Cableado del lado izquierdo: desempalme el conector de fábrica A. Cableado del lado derecho: desempalme el conector de fábrica B.
2. Conecte un alambre de cada calentador a un cable de suministro.
3. Conecte el alambre restante de cada calentador al otro cable de suministro.
4. Conecte el cable de puesta a tierra del suministro a ambos conductores de tierra.

Nota: No se proporciona cableado de campo



Funcionamiento y Mantenimiento

Cómo hacer funcionar el calentador

1. Encienda la alimentación en el tablero del panel eléctrico.
OBSERVE QUE: En el arranque inicial, el calentador puede expeler un olor a quemado. Esto no es peligroso, se debe al lubricante protector que se usa durante el proceso de fabricación. Suele disiparse al cabo de algunas horas.
2. Gire el termostato completamente en el sentido de las manecillas del reloj. ↻
3. Cuando la habitación haya alcanzado un nivel cómodo, gire la perilla del termostato en sentido contrario a las manecillas del reloj hasta que escuche un chasquido (si utiliza un termostato digital, fije la temperatura ambiente que desee). El zócalo se encenderá y apagará automáticamente según esta temperatura preestablecida. ↵

Mantenimiento

Los zócalos eléctricos Cadet prácticamente no requieren mantenimiento. Sin embargo, se acumulará una cierta cantidad de pelusa y polvo dentro de la unidad, por lo que hay que limpiarla periódicamente:

1. Apague la electricidad en el tablero del panel eléctrico (caja de cortacircuitos o fusibles) y trabe o coloque un cartel en la puerta del tablero del panel para evitar que alguien vuelva a encender la energía mientras se esté trabajando en el calentador. De lo contrario podrían producirse graves golpes eléctricos, quemaduras e incluso la muerte.
2. Aspire el interior de la unidad, con cuidado de no dañar la aletas de aluminio en el permutador térmico.

Tabla de Resolución de Problemas

CONSULTE LOS CÓDIGOS ELÉCTRICOS LOCALES PARA DETERMINAR QUÉ TRABAJOS DEBEN SER REALIZADOS POR PERSONAL DE SERVICIO ELÉCTRICO CALIFICADO

Síntoma	Problema	Solución
Ruido de castañeteo	<ol style="list-style-type: none"> 1. Puede que haya una placa extrema suelta en la unidad 2. Puede que el calentador no esté montado correctamente 	<ol style="list-style-type: none"> 1. Afloje ¼ de vuelta los tornillos de la placa extrema tras haber dejado que se entibie el calentador, mueva la placa extrema hacia delante y hacia atrás, y luego apriétela nuevamente 2. Afloje el calentador del muro soltando en ¼ de vuelta los tornillos de montaje
El calentador no funciona	<ol style="list-style-type: none"> 1. El calentador no recibe el voltaje para funcionar correctamente 2. Conexiones de alambres sueltas 3. Cortacircuito incorrecto 4. Interruptor de límite defectuoso 	<ol style="list-style-type: none"> 1. Revise el voltaje en el calentador entre los alambres eléctricos y cerciórese de que coincida con el voltaje que requiere el calentador 2. Apriete las conexiones de alambres sueltos 3. El cortacircuito está dispuesto incorrectamente - reubíquelo 4. Reemplace el interruptor de límite
El calentador no se apaga	<ol style="list-style-type: none"> 1. La pérdida de calor en la habitación supera la capacidad del calentador 2. Termostato defectuoso 3. El termostato está cableado al calentador de forma incorrecta 4. Temperatura en la habitación inferior al ajuste más bajo del termostato 	<ol style="list-style-type: none"> 1. Cierre puertas y ventanas. Coloque aislamiento adicional, instale un calentador de mayor vatiaje o múltiples calentadores si fuera necesario 2. Ajuste el termostato a la graduación más baja. Si el calentador continúa funcionando (espere un poco para que el termostato tenga tiempo de responder al ajuste), reemplace el termostato 3. Consulte la documentación del termostato y cableado correcto 4. Cambie el termostato a un modelo de doble polo con el positivo apagado (los termostatos de un solo polo tienen un ajuste de temperatura mínimo sin posición de apagado (off)).
Manchas negras (hollín) que se depositan en el zócalo, paredes y cortinas	<ol style="list-style-type: none"> 1. Hay exceso de hidrocarburos en el ambiente de la casa* 2. No hay aire fresco suficiente fluyendo por el zócalo 3. Se permite la acumulación de manchas en las superficies de la habitación 	<ol style="list-style-type: none"> 1. Elimine/reduzca el uso de productos que emiten hidrocarburos. (Fuentes comunes: insecticidas, aerosoles, sustancias químicas para limpiar alfombras, velas, plantas, polvo, humo de cigarrillos y chimeneas) 2. Aumente la cantidad de aire fresco en la habitación. No utilice el calentador cuando use sustancias químicas (insecticidas, limpiadores de alfombras, etc.) y permita la renovación del aire antes de volver a usar los calentadores 3. Limpieza más frecuente de las manchas para evitar su acumulación

* El hollín y los residuos se forman por la combustión de los hidrocarburos. Los hidrocarburos existentes en el entorno pasan por el elemento calentador y se calcinan, salen del calentador y se depositan en paredes y superficies de la habitación. Nota: El calentador por sí solo no produce ni libera hidrocarburos.

GARANTÍA

Mantenimiento: Para lograr una operación más eficaz y segura y prolongar la vida útil del calentador, lea la Guía del propietario y siga las instrucciones de mantenimiento incluidas con cada unidad. Si no le da el mantenimiento adecuado al calentador invalidará la garantía y puede hacer que el aparato funcione incorrectamente. Las garantías no son transferibles y rigen sólo para el comprador original. Los términos de la garantía se indican a continuación.

GARANTÍA VITALICIA LIMITADA: Cadet reparará todo elemento de un calentador de zócalo Cadet (F) en el momento que sea, tras comprobarse que haya sufrido una avería.

ESTAS GARANTÍAS NO SON PERTINENTES PARA:

1. Daños que sufra el producto por instalación o voltaje de suministro incorrectos;
2. Daños que sufra el producto por mantenimiento incorrecto, uso indebido, abuso, accidente o alteraciones;
3. Servicio que se le haya dado al producto por parte de personas o entidades ajenas a Cadet.
4. Casos en que no se pueda determinar la fecha de fabricación del producto;
5. Casos en que el producto resulte dañado durante el embarque por causas ajenas a Cadet.
6. LA GARANTÍA DE CADET SE LIMITA A LA REPARACIÓN O REEMPLAZO, TAL COMO SE ESTABLECE EN ESTE DOCUMENTO. CADET NO SE HARÁ RESPONSABLE POR DAÑOS A LA PROPIEDAD O DAÑOS CONSECUENTES, COMO TAMPOCO POR GASTOS ACCIDENTALES DEBIDO AL INCUMPLIMIENTO DE ESTAS GARANTÍAS ESCRITAS O DE CUALQUIER GARANTÍA EXPRESA O IMPLÍCITA.

7. EN CASO DE QUE CADET DECIDA REEMPLAZAR ALGUNA PIEZA DEL PRODUCTO CADET, LOS REPUESTOS SE REGISTRAN POR LAS MISMAS GARANTÍAS DEL PRODUCTO. LA INSTALACIÓN DE LOS REPUESTOS NO MODIFICA NI PROLONGA LAS GARANTÍAS VIGENTES. EL REEMPLAZO O REPARACIÓN DE TODO PRODUCTO O PIEZA CADET NO ORIGINA NINGÚN TIPO DE NUEVA GARANTÍA.

8. Estas garantías le otorgan derechos legales específicos y es posible que usted tenga otros derechos que varíen de un estado a otro. Cadet no asume ni autoriza a nadie que lo haga en su nombre, ninguna otra obligación o responsabilidad en relación con sus productos que no sean las que se establecen en este documento.

Si considera que el producto Cadet tiene defectos, comuníquese con Cadet Manufacturing Co. llamando al 360-693-2505, durante el período de garantía, para obtener instrucciones sobre cómo tramitar la reparación o el reemplazo del producto. Los reclamos de garantía presentados después de la finalización del período de validez no serán acogidos. Los productos que se devuelvan sin autorización serán rechazados.

Repuestos y Servicios

En <http://support.cadetco.com> encontrará información sobre dónde obtener repuestos y servicio.



Reduzca-Reutilice-Recicle

Este producto está hecho mayoritariamente de materiales reciclables. Usted puede reducir la cantidad de carbono que contribuye al medio ambiente reciclando este producto al término de su vida útil. Comuníquese con su centro local de reciclaje para obtener mayores instrucciones al respecto.

Free Manuals Download Website

<http://myh66.com>

<http://usermanuals.us>

<http://www.somanuals.com>

<http://www.4manuals.cc>

<http://www.manual-lib.com>

<http://www.404manual.com>

<http://www.luxmanual.com>

<http://aubethermostatmanual.com>

Golf course search by state

<http://golfingnear.com>

Email search by domain

<http://emailbydomain.com>

Auto manuals search

<http://auto.somanuals.com>

TV manuals search

<http://tv.somanuals.com>