

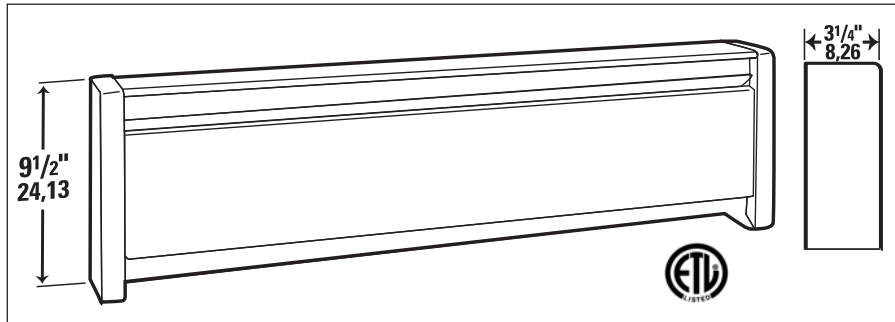


OWNER'S GUIDE

SAFETY & QUALITY

CADET® softHEAT®

HYDRONIC ELECTRIC BASEBOARD HEATER



MODELS:

EBHN500
EBHN750
EBHN1000
EBHN1250
EBHN1500
EBHN500-8
EBHN750-8
EBHN1000-8
EBHN1250-8
EBHN1500-8

Features & Benefits

- Whisper quiet operation and low surface temperatures
- Filled with non-toxic, non-hazardous thermal fluid
- Self-contained hermetically sealed element design requires no plumbing, piping, or other water supply
- Thermal fluid capacity offers better heat retention, which creates less cycling and keeps more consistent room temperatures
- Designed to reduce the effects of indoor allergens
- 7-year element warranty

TOOLS REQUIRED

- Phillips Screwdriver
- Straight Screwdriver
- Wire Strippers
- Drill or Hammer
- Level
- Punch or Chisel
- Drill Bits
- Utility Knife
- (4) Wood Screws
- (3) Wire Nuts
- (1) Strain Relief Connector

IMPORTANT INSTRUCTIONS



⚠ WARNING!

Turn the electrical power off at the electrical panel board (circuit breaker or fuse box) and lock or tag the panel board door to prevent someone from turning on power while you are working on the heater. Failure to do so could result in serious electrical shock, burns, or possible death.

When using electrical appliances, basic precautions should always be followed to reduce the risk of fire, electric shock, and injury to persons, including the following:

1. Read all instructions and labels before installing this heater.
2. ⚠ **WARNING**
A heater has hot and arcing parts inside. Do not install in areas where gasoline, paint or flammable liquids are stored or excessive lint or dust are present.
3. ⚠ **WARNING**
This heater is hot when in use. To avoid burns, do not let bare skin touch hot surfaces. Keep combustible materials, such as furniture, pillows, bedding, papers, clothes and curtains away from heater.
4. To prevent possible fire, do not block air intakes or exhaust in any manner. Do not use on soft surfaces, like a bed, where openings may become blocked. Heaters must be kept clean of excessive lint, dirt and debris. (See Maintenance Instructions).
5. **Risk of electrical shock.** Do not insert or allow foreign objects to enter any ventilation or exhaust opening as this may cause an electric shock or fire, or damage the heater.
6. Do not place heater below an electrical convenience receptacle.
7. ⚠ **WARNING**
Overheating or fire may occur. Do not install the heater behind doors.
8. Use extreme caution when any heater is used near children or invalids and whenever the heater is left operating unattended.
9. ⚠ **WARNING**
Do not operate after heater malfunctions or has been dropped or damaged in any manner.
10. ⚠ **WARNING**
Risk of fire. Do not block heater minimum of 12 inches in front and above, 6 inches on both sides.
11. Use this heater only as described in this manual. Any other use not recommended by the manufacturer may cause fire, electrical shock, or injury to persons.
12. **Verify that the electrical supply wires are the same voltage as the heater.** The heater must be grounded to the grounding screw provided. If you need to install a new circuit or need additional wiring information, consult a qualified electrician.

SAVE THESE INSTRUCTIONS

Tel: 360-693-2505 www.cadetco.com P.O. Box 1675 Vancouver, WA 98668-1675

INSTALLATION INSTRUCTIONS

All electrical work and materials must comply with the National Electric Code (NEC), the Occupational Safety and Health Act (OSHA), and all state and local codes.

ABOUT THE CADET SOFHEAT ELECTRIC BASEBOARD: The Cadet Sofheat Baseboard is designed to provide zonal heat to a room by using convection to naturally circulate warm air. Safety is Cadet's first priority. All Sofheat baseboards feature an oversized high temperature auto reset limit switch that shuts the heater off when excessive operating temperatures are detected. For effective and safe operation, and to prolong the life of the heater, read all instructions and safety information, and follow the maintenance instructions in this Owner's Guide.

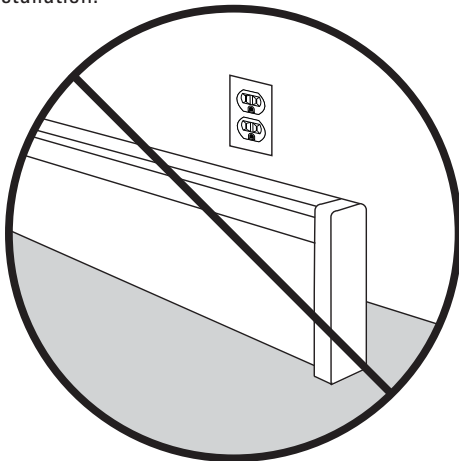
BEFORE PROCEEDING WITH THE INSTALLATION INSTRUCTIONS, YOU MUST CONSIDER SEVERAL FACTORS THAT ARE CRITICAL TO INSTALLATION

THERMOSTAT

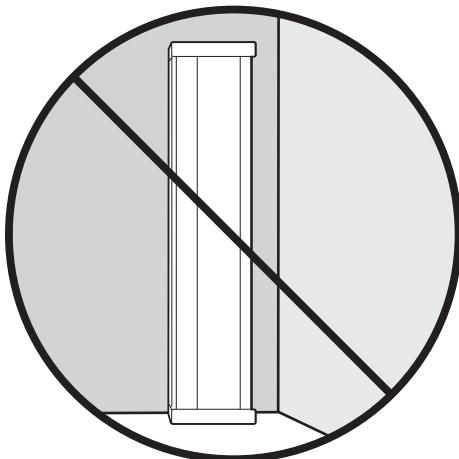
A thermostat is required. A Cadet wall thermostat is recommended for optimum performance, or you may prefer the convenience of a built-in EBKN DPST thermostat kit. For instructions on wiring a thermostat, see the instructions that were included with your thermostat. **If you are installing a thermostat, refer to the section later in this guide titled "Step 3: Thermostat" prior to installing the baseboard.**

PLACEMENT

For best results, install the Sofheat baseboard heater under a window, along an outside wall, or as close as possible to an outside door. Follow these instructions for selecting an ideal area of installation:



DO NOT INSTALL ANY BASEBOARD BELOW AN ELECTRICAL OUTLET

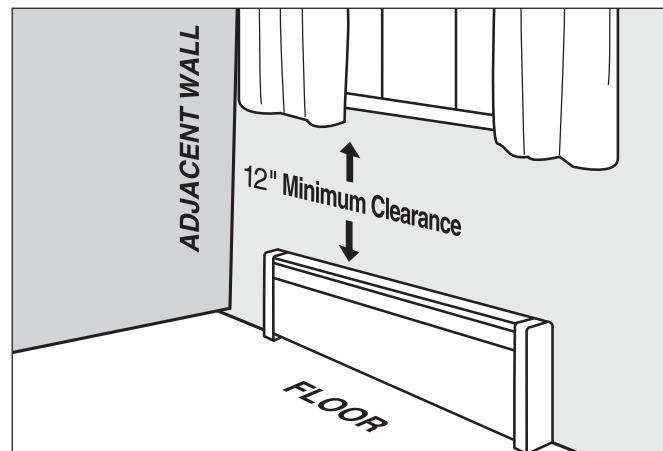


DO NOT INSTALL ANY BASEBOARD VERTICALLY. MOUNT THE BASEBOARD HORIZONTALLY ONLY

⚠ WARNING Do not mount the heater against combustible low-density cellulose fiberboard.

⚠ WARNING To reduce risk of fire, do not store or use gasoline or other flammable vapors and liquids in the vicinity of the heater.

- The seam at the junction of the wall and floor behind the heater should be caulked to prevent dust from being drawn into the room.
- Heater should be set flush against surface of the wall.
- Remove any obstructions between the back of the unit and the surface of the wall.
- Baseboard heater may sit directly on any floor surface, including carpet.
- Maintain at least 12 inches minimum clearance from objects hanging above (i.e. drapes).



WIRING

Wire connection is standard from the left side of the baseboard heater. Determine on which side of the baseboard you are making wire connections by locating the supply wires. Heaters may be purchased special order as a right side wire connection configuration. You must locate the supply wires before mounting the heater. See section titled "Step 3: Thermostat" prior to wiring the baseboard if you are installing a wall thermostat.

VOLTAGE (ALL MODELS)

It is extremely important that you verify the electrical supply wires are the same voltage as the heater (i.e. 120 volt heater to 120 volt power supply and 240 volt heater to 240 volt power supply). If replacing an existing heater check the labels of the old heater and replace using same voltage. Hooking a 240 volt heater to a 120 volt power supply will drastically reduce the heater's output. Hooking a 120 volt heater to a 240 volt power supply will destroy the heater.

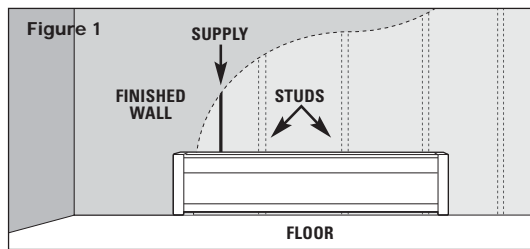
LEVEL

The Sofheat baseboard heater must be properly leveled when installed, in order for the heating chamber to function properly.

INSTALLATION INSTRUCTIONS

STEP 1: Mount Heater to Wall

1. Locate wall studs closest to supply wires and position heater (See Figure 1). NOTE: Wire connection is from left side only on standard models.



2. Carefully remove front cover from heater by lifting cover up from the bottom, and then outwards. Set aside.
3. Remove wiring compartment cover, held by one screw, from side you wish to wire. (Figure 2).
4. Remove slotted knockout closest to the supply wires and install a strain relief connector.
5. Pull supply wires through the connector and secure, leaving 6 inch wire leads for later use.
6. NOTE: If you will be installing a heater mounted EBKN thermostat, you should do so now before mounting your baseboard to the wall. See your EBKN thermostat Owner's Guide for instructions.
7. Position the heater and fasten one end of heater to wall stud with screw in safe drill area as shown in Figure 3. Before fastening to wall stud at other end, place level across top of heater and make sure heater is level. (Figure 4).

Figure 2
Left-end wiring shown

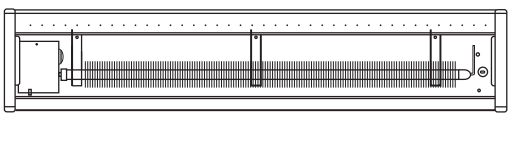


Figure 3
Drill areas
Left-end wiring shown

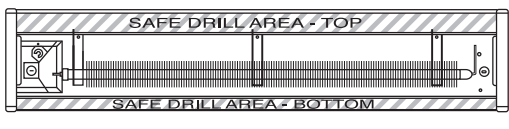
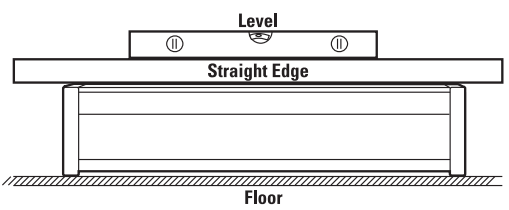


Figure 4
Checking with level



8. After confirming heater is level, fasten other end of heater to wall stud with screw to wall.

STEP 2: Wiring Provisions / Wiring

This heating unit is designed for permanent installation. All wiring should be routed in compliance with the National Electrical Code and all local codes, where applicable. A maximum of No. 10 AWG wire may be used with this heater. All wiring should be planned and run before heating units are set in place. Standard units are wired from left end of the heater only. (See Figure 5 for internal heater wiring).

When wiring unit through rear, remove knock out and place heater on wall. Mark knockout location on wall. When running conduit or cable to unit through flooring and knock out in bottom of wiring compartment, measure 1-1/2" (38mm) from wall and 2" (51mm) from left end of unit. Cut a 7/8" (22mm) hole in floor centered on the measured location (See Figure 6).

Connect the grounding lead to the green ground screw (provided), using a connector. (See Figure 5).

Figure 5
Left-end wiring (standard)

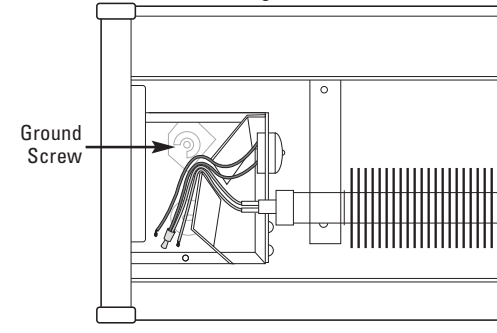
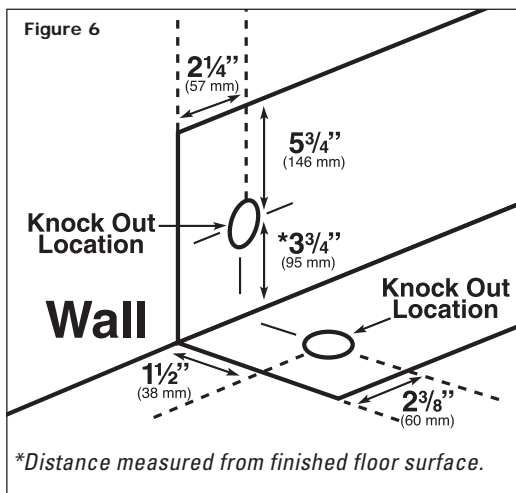


Figure 6



Protect electrical supply from kinks, sharp objects, oil, grease, hot surfaces or chemicals.

READ ALL INSTRUCTIONS AND SAFETY INFORMATION.

CAUTION - High Temperature, Keep Electrical Cords, Drapes, And Other Furnishings Away From Heater

⚠ WARNING! ⚠ RISK OF ELECTRICAL SHOCK. TURN OFF ALL POWER AT THE ELECTRICAL PANEL BOARD SUPPLYING POWER TO THE HEATER BEFORE DOING ANY ELECTRICAL WIRING.

⚠ WARNING! Risk of Fire. Heater must be kept clear of all obstructions: 12" in front and above; 6" on both sides minimum.

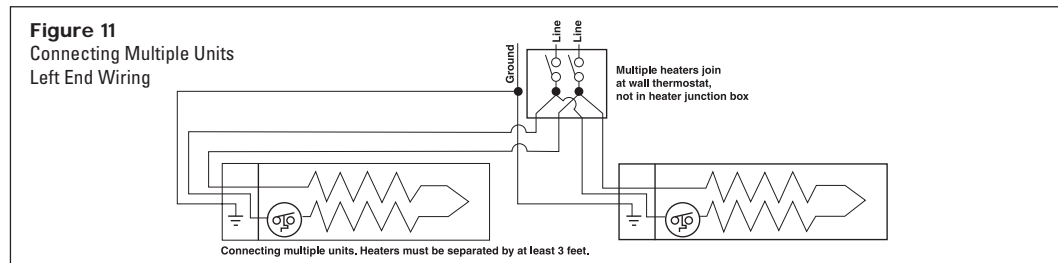
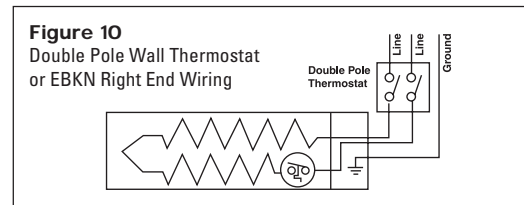
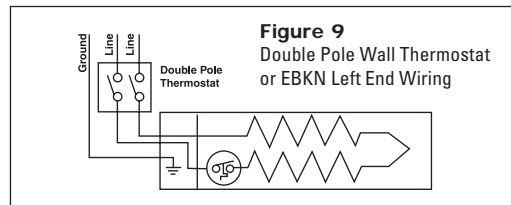
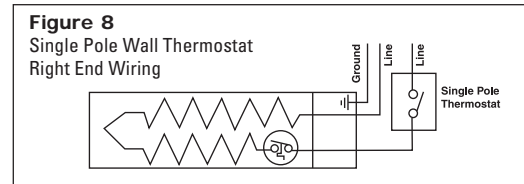
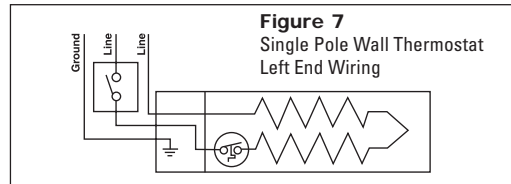
IMPORTANT! It is extremely important that you verify the electrical supply wires are the same voltage as the heater (i.e. 120 volt heater to 120 volt power supply and 240 volt heater to 240 volt power supply). If replacing an existing heater, check the labels of the old heater and replace using the same voltage. Hooking a 240 volt heater to a 120 volt power supply will drastically reduce the heater's output. Hooking a 120 volt heater to a 240 volt power supply will destroy the heater.

INSTALLATION INSTRUCTIONS

STEP 3: Thermostat

For best results, use a Cadet electronic wall thermostat or an EBKN end cap DPST thermostat kit. It is recommended that a thermostat be provided for each room. The location of the thermostat should be selected carefully. Thermostats should not be located near drafts from an open doorway or within 18" (45.7cm) of an outside wall, or in direct sunlight or unusual heat sources. A television set or appliance that builds up heat near a thermostat will prevent the thermostat from functioning properly. A wiring diagram illustrating typical wiring of the thermostat is included in the literature provided with the thermostat.

Illustrated in Figures 7 through 11 are wiring diagrams typical of a single unit controlled by a single pole thermostat, a single unit controlled by a double pole thermostat, and two units controlled by a double pole thermostat.



STEP 4: Reassemble

Tuck wires into wiring compartment cover, and replace one screw previously removed. Replace front heater cover.

OPERATION & MAINTENANCE

How To Operate Your Heater

WARNING The heater must be installed properly before it is used.

1. Switch the power on at the electrical panel board. PLEASE NOTE: Upon initial start-up, the heater may emit a burning odor. This is not dangerous and is due to a protective lubricant used during the manufacturing process.
2. Turn the thermostat fully clockwise. ⤴
3. When the room reaches your comfort level, turn the thermostat knob counterclockwise ⤵ until a clicking sound is heard (if using a digital thermostat, set at desired room temperature). The baseboard will automatically cycle around this preset temperature.

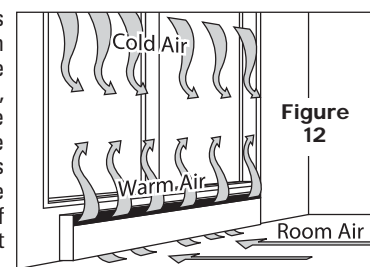
Maintenance

Softheat baseboards are virtually maintenance-free. However, a certain amount of lint and dust will accumulate inside, which periodically should be removed.

1. Turn the electrical power off at the electrical panel board (circuit breaker or fuse box). Lock or tag the panel board door to prevent someone from accidentally turning the power on while you are working on the heater. Failure to do so could result in serious electrical shock, burns, or possible death.
2. Allow the heater to cool to room temperature before continuing.
3. Remove front panel.
4. Vacuum inside the unit, being careful not to damage the aluminum fins on the heater tube.

HOW SOFHEAT HYDRONIC BASEBOARDS WORK

Inside a Softheat baseboard a hermetically sealed heat transfer fluid is heated by an electric heating element. As the solution is heated, warmth is generated and transmitted through dozens of aluminum fins along the heater tube (it could initially take 30 to 60 minutes to warm a room, depending on the room size). As the warmth spreads outward from the heater, cooler air from the floor and wall naturally flow toward the base of the heater. "Convection air heating" (see Figure 12) means no noisy fans are needed and the room is warmed with even, comfortable heat. There will be no cold and hot spots in the room as found with other types of heaters. Softheat won't blow or burn dust particles, making it allergist recommended for patients with respiratory ailments or allergies.



WARNING!
Risk of Electrical Shock. Connect grounding lead to grounding wire provided. Keep all foreign objects out of heater.

WARNING!
Risk of Fire. Heaters must be kept clean of lint, dirt and debris. Failure to follow warnings may cause heater to eject sparks, ignite materials, or cause electrical shock.

WARNING!
Risk of Electrical Shock. When working with electricity, turn the electrical power off at the electrical panel board and lock or tag the circuit breaker door. Failure to do so could result in serious electrical shock, burns, or possible death!

TROUBLESHOOTING CHART

CONSULT LOCAL ELECTRICAL CODES TO DETERMINE WHAT WORK MUST BE PERFORMED BY QUALIFIED ELECTRICAL SERVICE PERSONNEL

| Symptom | Problem | Solution |
|--------------------------------|--|--|
| Gurgling noise | 1. Unit may not be level 2. Unit may have developed a leak | 1. Check to be sure unit is level. If gurgling doesn't stop within 30 minutes, unit needs to be replaced. 2. Replace element or heater. |
| Heater not working | 1. Heater does not have proper voltage to function correctly 2. Unit wired incorrectly | 1. Circuit breaker could be positioned incorrectly. Relocate breaker. Check voltage at the heater between supply wires and make sure it matches required heater voltage. 2. Using Owner's Guide, verify wires are connected properly and securely with appropriate wire nuts. If the unit is still not operating, further testing should be done with ohmmeter. Consult an electrician. |
| Liquid found in or around unit | 1. Heat transfer fluid may be escaping from element | 1. Immediately discontinue use.* Replace element or heater (elements are not repairable). |
| Room does not heat quickly | 1. Unit is slow to heat 2. Unit wired incorrectly | 1. No solution necessary - typical initial warm-up takes 30-60 minutes. 2. Check voltage at the heater between supply wires and make sure it matches required heater voltage. |
| Heater will not shut off | 1. Heat loss from room is greater than heater capacity 2. Defective thermostat 3. Thermostat wired incorrectly to heater | 1. Close doors and windows. Provide additional insulation, install a higher-wattage heater or multiple heaters, if necessary. 2. Adjust thermostat to its lowest setting. If heater continues to run (allow two minutes for the thermostat to respond), replace thermostat. 3. Refer to thermostat documentation and correct wiring. |

*** What to do if the solution in your Softheat Baseboard should leak out:**

The solution in your Softheat Baseboard is a non-toxic thermal fluid (Material Safety Data Sheet available upon request). This solution is non-toxic if ingested, and there is no immediate health concern with air quality following a spill. Take adequate precautions to keep people and animals away from leakage. Non-porous rubber gloves and eye protection should be worn during clean-up if exposure and contact lasts longer than two hours.

Soak up spill with an absorbent material such as paper towels. Once excess liquid or residue has been absorbed, a non-oxidizing cleanser such as an orange citrus cleaner can be used to remove any remaining dried residue (first test a hidden section of flooring for colorfastness). Scrub spill area, then use absorbent material to remove any remaining cleanser. Several applications of the cleanser may be required, depending on size and amount of spill.

WARRANTIES

Maintenance: For more effective and safer operation and to prolong the life of the heater, read the Owner's Guide and follow the maintenance instructions included with each heater. Failure to properly maintain the heater will void any warranty and may cause the heater to function improperly. Warranties are non transferable and apply to original consumer only. Warranty terms are set out below.

LIMITED ONE-YEAR WARRANTY: Cadet Manufacturing Co. will repair or replace any Cadet product, including thermostats, found to be defective or malfunctioning from first date of purchase through the first year.

LIMITED SEVEN-YEAR WARRANTY: Cadet Manufacturing Co. will repair or replace any Cadet/Softheat baseboard (EBHN) found to be defective or malfunctioning from first date of purchase through the seventh year.

THESE WARRANTIES DO NOT APPLY:

1. Damage occurs to the product through improper installation or incorrect supply voltage;
2. Damage occurs to the product through improper maintenance, misuse, abuse, accident, or alteration;
3. The product is serviced by anyone other than Cadet;
4. If the date of manufacture of the product cannot be determined;
5. If the product is damaged during shipping through no fault of Cadet.
6. CADET'S WARRANTY IS LIMITED TO REPAIR OR REPLACEMENT AS SET OUT HEREIN. CADET SHALL NOT BE LIABLE FOR DAMAGES SUCH AS PROPERTY DAMAGE OR FOR CONSEQUENTIAL DAMAGES AND/OR INCIDENTAL EXPENSES RESULTING FROM BREACH OF THESE WRITTEN WARRANTIES OR ANY EXPRESS OR IMPLIED WARRANTY.

7. IN THE EVENT CADET ELECTS TO REPLACE ANY PART OF YOUR CADET PRODUCT, THE REPLACEMENT PARTS ARE SUBJECT TO THE SAME WARRANTIES AS THE PRODUCT. THE INSTALLATION OF REPLACEMENT PARTS DOES NOT MODIFY OR EXTEND THE UNDERLYING WARRANTIES. REPLACEMENT OR REPAIR OF ANY CADET PRODUCT OR PART DOES NOT CREATE ANY NEW WARRANTIES.

8. These warranties give you specific legal rights, and you may also have other rights which vary from state to state. Cadet neither assumes, nor authorizes anyone to assume for it, any other obligation or liability in connection with its products other than as set out herein.

If you believe your Cadet product is defective, please, contact Cadet Manufacturing Co. at 360-693-2505, during the warranty period, for instructions on how to have the repair or replacement processed. Warranty claims made after the warranty period has expired will be denied. Products returned without authorization will be refused.

Parts and Service

Visit <http://support.cadetco.com> for information on where to obtain parts and service.



Reduce-Reuse-Recycle

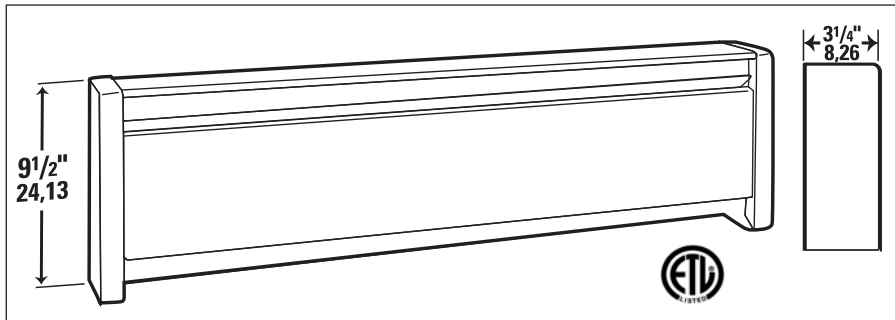
This product is made primarily of recyclable materials. You can reduce your carbon footprint by recycling this product at the end of its useful life. Contact your local recycling support center for further recycling instructions.



GUÍA PARA EL PROPIETARIO **SAFETY & QUALITY**

CADET[®] softHEAT[®]

HYDRONIC ELECTRIC BASEBOARD HEATER



MODELOS:

| | |
|----------|------------|
| EBHN500 | EBHN500-8 |
| EBHN750 | EBHN750-8 |
| EBHN1000 | EBHN1000-8 |
| EBHN1250 | EBHN1250-8 |
| EBHN1500 | EBHN1500-8 |

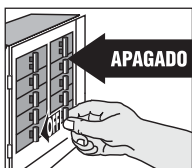
HERRAMIENTAS NECESARIAS:

- Destornillador Phillips
- Destornillador plano
- Pelacables
- Taladro o martillo
- Nivel
- Punzón o cincel
- Brocas
- Cuchillo multiuso
- (4) tornillos para madera
- (3) tuercas para alambre
- (1) conector de alivio de tensión

Características y Beneficios

- Operación más silenciosa y bajas temperaturas en la superficie
- Lleno con un líquido término no tóxico ni peligroso
- El diseño de elemento autónomo y sellado herméticamente no requiere plomería, tuberías ni suministro de agua
- La capacidad del líquido térmico ofrece una mejor retención del calor, lo cual crea menos ciclos y mantiene temperaturas ambientales más uniformes
- Diseñado para reducir los efectos de los alérgenos
- Garantía de 7 años para el elemento

INSTRUCCIONES IMPORTANTES



⚠ ¡ADVERTENCIA!

Desconecte la electricidad en el tablero del panel eléctrico (cortacircuito o caja de fusibles) y trabe o coloque un cartel en la puerta del tablero del panel para evitar que alguien vuelva a conectar la energía mientras se esté trabajando en el calentador. De lo contrario podrían producirse graves golpes eléctricos, quemaduras e incluso la muerte.

Al utilizar artefactos eléctricos, siempre se deben adoptar precauciones básicas para reducir el riesgo de incendios, electrocución y lesiones personales, incluyendo lo siguiente:

1. Lea todas las instrucciones y etiquetas antes de instalar este calentador.
2. ⚠ **ADVERTENCIA**
Un calentador contiene piezas calientes que producen arcos voltaicos. No lo instale en áreas donde exista la presencia de gasolina, pintura o líquidos inflamables o exceso de pelusas o polvo.
3. ⚠ **ADVERTENCIA**
Este calentador se calienta mucho cuando está en uso. Para evitar quemaduras, no lo toque con su piel descubierta. Mantenga los materiales combustibles tales como muebles, cojines, camas, papeles, ropas y cortinas lejos del calentador.
4. Para evitar posibles incendios, no bloquee las tomas de aire ni el escape de manera alguna. No lo use en superficies blandas como una cama, donde las aberturas se puedan obstruir. Los calentadores deben mantenerse sin pelusas, suciedad ni residuos excesivos. (Consulte las instrucciones de mantenimiento).

5. **Riesgo de electrocución.** No introduzca ni permita que ingresen objetos en las aberturas de la ventilación o escape, ya que ello puede causar electrocución o incendio, o bien dañar el calentador.
6. No coloque el calentador bajo un tomacorriente.
7. ⚠ **ADVERTENCIA**
Podría producirse recalentamiento o un incendio. No instale el calentador detrás de alguna puerta.
8. Tenga mucho cuidado cuando use el calentador cerca de niños o de personas inválidas, y cada vez que lo deje funcionando sin vigilancia.
9. ⚠ **ADVERTENCIA**
No lo opere después de alguna avería, o si se ha caído o sufrido algún tipo de daño.
10. ⚠ **ADVERTENCIA**
Riesgo de incendio. No bloquee el calentador en una distancia mínima de 12 pulgadas por delante y por encima, y 6 pulgadas en cada costado.
11. Use este calentador sólo como se describe en este manual. Todo otro uso no recomendado por el fabricante puede causar incendios, descargas eléctricas o lesiones personales.
12. **Verifique que todos los alambres de suministro eléctrico sean del mismo voltaje que el calentador.** El calentador debe estar conectado al terminal del tornillo de puesta a tierra suministrado. Si se debe instalar un nuevo circuito o se necesita información adicional sobre el cableado, consulte a un electricista calificado.

CONSERVE ESTAS INSTRUCCIONES

Tel: 360-693-2505 www.cadetco.com P.O. Box 1675 Vancouver, WA 98668-1675

INSTRUCCIONES PARA LA INSTALACIÓN

Todo trabajo y materiales eléctricos deben cumplir con el Código Eléctrico Nacional ("NEC", por su sigla en inglés), con la Ley de Seguridad y Salud Ocupacional ("OSHA", por su sigla en inglés) y con todos los códigos estatales y locales.

ACERCA DEL ZÓCALO ELÉCTRICO SOFHEAT DE CADET: El zócalo eléctrico Sofheat de Cadet está diseñado para brindar calor zonal a una habitación usando convección a fin de hacer circular el aire caliente en forma natural. La seguridad es la principal prioridad de Cadet. Todos los zócalos Sofheat incluyen un interruptor límite de alta temperatura y gran tamaño con restablecimiento automático que apaga el calentador cuando se detectan temperaturas de operación excesivas. Para una operación eficaz y segura, y para prolongar la vida útil del calentador, lea todas las instrucciones e información de seguridad y acate las instrucciones de mantenimiento de la presente Guía del propietario.

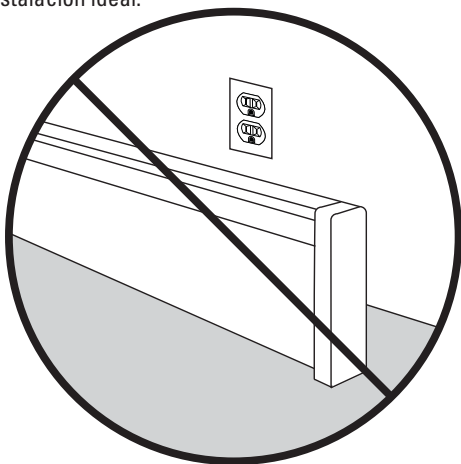
ANTES DE PROCEDER CON LAS INSTRUCCIONES DE INSTALACIÓN, DEBE CONSIDERAR DIVERSOS FACTORES QUE SON FUNDAMENTALES PARA LA INSTALACIÓN.

TERMOSTATO

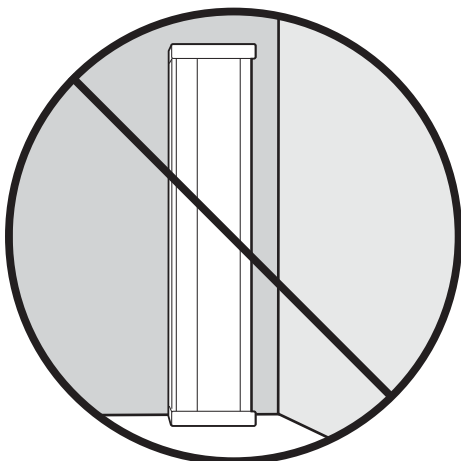
Se requiere un termostato. Se recomienda un termostato mural Cadet para un óptimo rendimiento, o bien puede optar por la comodidad de un juego de termostato EBKN DPST incorporado. En las instrucciones incluidas con el termostato encontrará información sobre el cableado del mismo. **Si ha de instalar un termostato, consulte la sección que aparece más adelante en esta guía titulada "Paso 3: Termostato" antes de instalar el zócalo.**

UBICACIÓN

Para mejores resultados, instale el calentador de zócalo Sofheat bajo una ventana, junto a una pared exterior o lo más cerca posible de una puerta que dé al exterior. Siga estas instrucciones para seleccionar un área de instalación ideal:



NO INSTALE EL ZÓCALO DEBAJO DE UN TOMACORRIENTE ELÉCTRICO.



NO INSTALE NINGÚN ZÓCALO EN FORMA VERTICAL. MONTE EL ZÓCALO ÚNICAMENTE EN POSICIÓN HORIZONTAL

⚠️ ADVERTENCIA No monte el calentador contra fibra de celulosa combustible de baja densidad.

⚠️ ADVERTENCIA Para reducir el riesgo de incendios, no almacene ni use gasolina u otros vapores inflamables y líquidos en las inmediaciones del calentador.

- La unión donde confluyen la pared y el piso detrás de los calentadores se debe calafatear para evitar el ingreso de polvo a la habitación.
- El calentador se debe instalar a ras de la superficie de la muralla.
- Retire toda obstrucción entre la parte trasera de la unidad y la superficie de la pared.
- El calentador de zócalo puede instalarse directamente en la superficie de cualquier tipo de piso, incluyendo alfombra.
- Mantenga por lo menos un espaciado mínimo de 12 pulgadas respecto de los objetos que cuelguen por encima (por ejemplo, cortinas).



CABLEADO

La conexión estándar de los cables se hace en el lado izquierdo del calentador de zócalo. Determine en qué lado del zócalo hará las conexiones ubicando los cables de suministro. Los calentadores se pueden comprar como pedido especial para una configuración con conexión de alambres al lado derecho. Debe ubicar los cables antes de montar el calentador. Consulte la sección titulada "Paso 3: Termostato" antes de cablear el zócalo si es que instalará un termostato mural.

VOLTAJE (TODOS LOS MODELOS)

Es extremadamente importante verificar que los alambres de suministro eléctrico sean del mismo voltaje que el calentador (es decir, un calentador de 120 voltios con un suministro de energía del mismo voltaje, y un calentador de 240 voltios con un suministro de energía de ese mismo valor). Si va a reemplazar un calentador existente, revise las etiquetas del calentador antiguo y sustitúyalo por otro del mismo voltaje. Si se conecta un calentador de 240 voltios a un suministro de energía de 120 voltios, se reducirá drásticamente el rendimiento del calentador. Si se conecta un calentador de 120 voltios a un suministro de energía de 240 voltios, se destruirá el calentador.

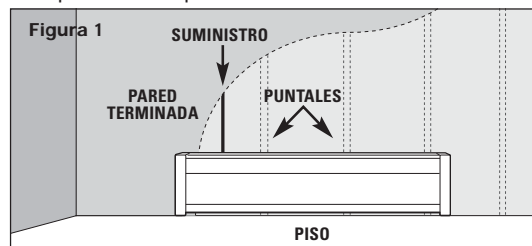
NIVEL

El calentador de zócalo Sofheat debe estar correctamente nivelado cuando se instale, para que la cámara de calentamiento funcione debidamente.

INSTRUCCIONES PARA LA INSTALACIÓN

PASO 1: Montaje mural del calentador

1. Ubique los puntales de la pared que estén más cerca de los cables de suministro y luego coloque el calentador (consulte la figura 1). **NOTA:** La conexión de alambres es por el lado izquierdo sólo en los modelos estándar.



2. Retire cuidadosamente la cubierta delantera del calentador levantándola desde la base, y luego hacia afuera. Déjela a un lado.
3. Retire la tapa del compartimiento de cableado, la cual va sujeta mediante un tornillo, desde el lado que desee cablear. (Figura 2).
4. Retire el destapadero ranurado más cercano a los cables de suministro e instale un conector con alivio de tensión.
5. Tire los alambres eléctricos por el conector y fíjelos dejando que sobresalgan 6 pulgadas para su uso posterior.
6. **NOTA:** Si ha de instalar un termostato EBKN montado en el calentador, debe hacerlo ahora antes de colocar el zócalo en la pared. En la Guía del propietario del termostato EBKN encontrará las instrucciones.
7. Coloque el calentador y fije uno de sus extremos al puntal de la pared con un tornillo en una zona de perforación segura, tal como se aprecia en la figura 3. Antes de fijarlo al puntal en el otro extremo, coloque el nivel en la parte superior del calentador para cerciorarse de que este último se encuentre nivelado. (Figura 4).

Figura 2
Aparece el cableado del extremo izquierdo

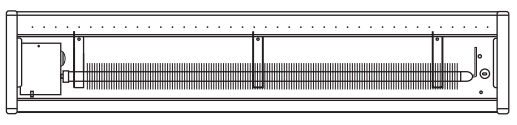
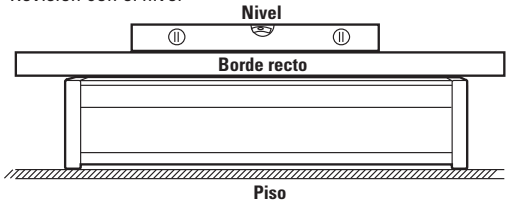


Figura 3
Áreas de perforación
Aparece el cableado del extremo izquierdo



Figura 4
Revisión con el nivel



8. Tras confirmar que el calentador está nivelado, fije el otro de sus extremos al puntal de la pared con el tornillo.

PASO 2: Cláusulas de cableado/Cableado

Esta unidad calentadora está diseñada para una instalación permanente. Todo el cableado se debe tender en conformidad con el Código Eléctrico Nacional y todos los códigos locales correspondientes. Con este calentador se puede usar un alambre con calibre AWG máximo de 10. Todo el cableado se debe planificar y tender antes de instalar las unidades en su lugar. Las unidades estándar se cablean únicamente desde el extremo izquierdo del calentador. (En la figura 5 aparece el cableado interno del calentador).

Al cablear la unidad por atrás, retire el destapadero y coloque el calentador en la pared. Marque la ubicación del destapadero en la pared. Al tender un portacables o bien los cables propiamente tales a la unidad a través del piso y el destapadero en la parte inferior del compartimiento de cableado, mida 1-1/2" (38 mm) desde la pared y 2" (51 mm) desde el extremo izquierdo de la unidad. Corte un orificio de 7/8" (22 mm) en el piso centrado en la ubicación medida (Consulte la figura 6).

Empalme el conductor a tierra al tornillo de puesta a tierra verde (suministrado) con un conector. (vea la figura 5).

Figura 5 Cableado del extremo izquierdo (estándar)

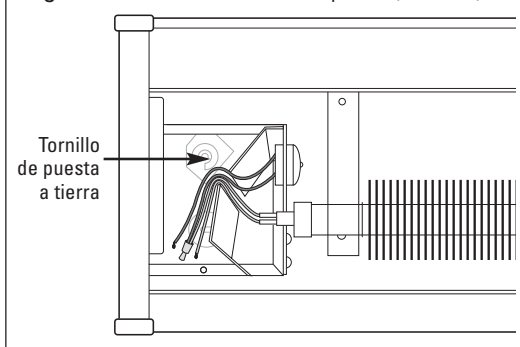
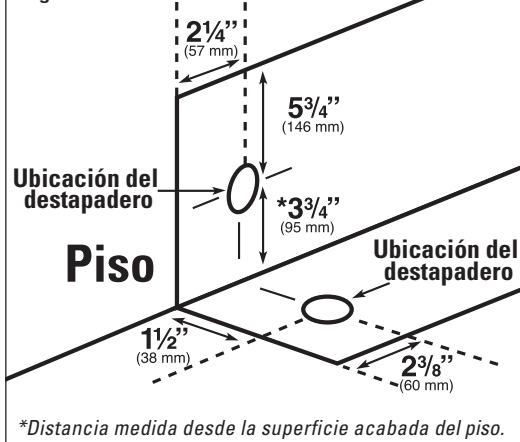


Figura 6



Evite que los alambres de suministro eléctrico se retuerzan o entren en contacto con objetos afilados, aceite, grasa, superficies calientes o sustancias químicas.

LEA TODAS LAS INSTRUCCIONES E INFORMACIÓN ACERCA DE LA SEGURIDAD.

PRECAUCIÓN – Alta temperatura, mantener los cables eléctricos, cortinas y otros muebles lejos del calentador

**⚠ ¡ADVERTENCIA! ⚠
RIESGO DE ELECTROCUCIÓN.
APAGUE TODA LA ELECTRICIDAD EN EL TABLERO DEL PANEL ELÉCTRICO QUE ALIMENTA EL CALENTADOR ANTES DE REALIZAR EL CABLEADO ELÉCTRICO.**

**⚠ ¡ADVERTENCIA! ⚠
Riesgo de incendio.
El calentador debe mantenerse sin obstrucciones: 12" por delante y por encima; 6" a ambos lados como mínimo.**

¡IMPORTANTE!
Es extremadamente importante verificar que los alambres de suministro eléctrico sean del mismo voltaje que el calentador (es decir, un calentador de 120 voltios con un suministro de energía del mismo voltaje, y un calentador de 240 voltios con un suministro de energía de ese mismo valor). Si va a reemplazar un calentador existente, revise las etiquetas del calentador antiguo y sustitúyalo por otro del mismo voltaje. Si se conecta un calentador de 240 voltios a un suministro de energía de 120 voltios, se reducirá drásticamente el rendimiento del calentador. Si se conecta un calentador de 120 voltios a un suministro de energía de 240 voltios, se destruirá el calentador.

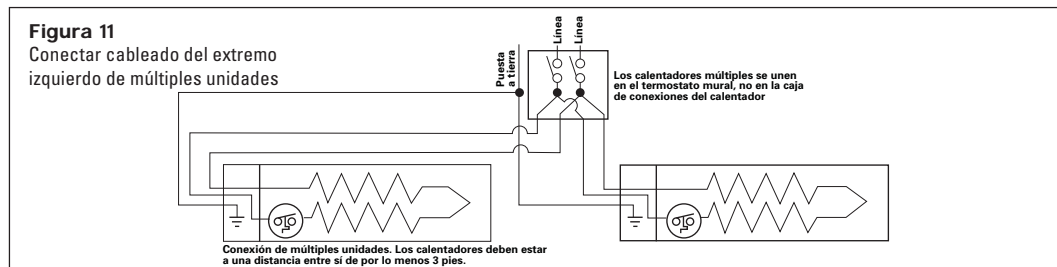
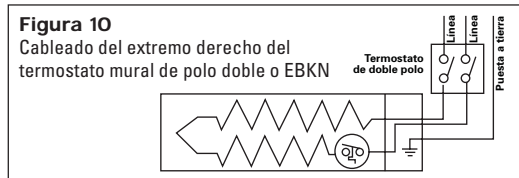
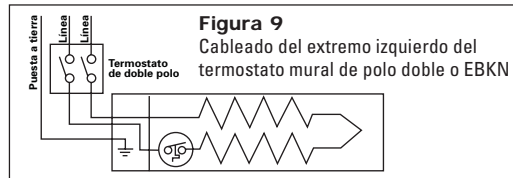
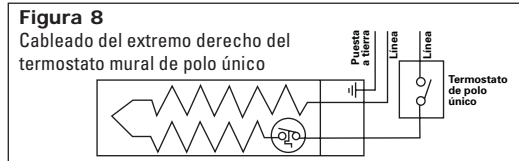
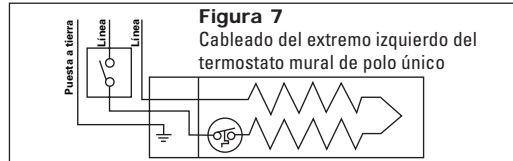
INSTRUCCIONES PARA LA INSTALACIÓN

⚠ ¡ADVERTENCIA! ⚠
Riesgo de electrocución.
Conecte el conductor a tierra al cable de puesta a tierra provisto. Mantenga todos los objetos foráneos fuera del calentador.

PASO 3: Termostato

Para obtener mejores resultados, use un termostato mural electrónico Cadet o un juego de termostato DPST de tapa extrema EBKN. Se recomienda contar con un termostato para cada habitación. La ubicación de termostato se debe determinar cuidadosamente. Los termostatos no se deben colocar cerca de corrientes de aire provenientes de un portal abierto o a menos de 18" (45.7 cm) de una pared exterior, ni tampoco a la luz solar directa o a fuentes de calor inusuales. Un televisor u otro artefacto que genere calor cerca de un termostato impedirá que este funcione correctamente. En la documentación que viene con el termostato, se incluye un diagrama de cableado que ilustra el cableado típico de dicho aparato.

En las figuras 7 a la 11 aparecen los diagramas típicos de una unidad individual controlada por un termostato de polo único, de una unidad individual controlada por un termostato de doble polo, y dos unidades controladas por un termostato de este último tipo.



PASO 4: Remontaje

Ponga los cables en la tapa del compartimento de cableado, y vuelva a colocar el tornillo que retiró anteriormente. Vuelva a poner la tapa delantera del calentador.

FUNCIONAMIENTO Y MANTENIMIENTO

Cómo hacer funcionar el calentador

⚠ ADVERTENCIA El calentador debe instalarse correctamente antes de usarlo.

1. Encienda la alimentación en el tablero del panel eléctrico. **OBSERVE QUE:** En el arranque inicial, el calentador puede expeler un olor a quemado. Esto no es peligroso, se debe al lubricante protector que se usa durante el proceso de fabricación.
2. Gire el termostato completamente en el sentido de las manecillas del reloj. ⤴
3. Cuando la habitación haya alcanzado una temperatura cómoda, gire la perilla del termostato en sentido contrario a las manecillas del reloj hasta que escuche un chasquido (si utiliza un termostato digital, fije la temperatura ambiente que desee). El zócalo se encenderá y apagará automáticamente según esta temperatura preestablecida. ⤵

Mantenimiento

Los calentadores de zócalo Softheat prácticamente no requieren mantenimiento. Sin embargo, se acumulará una cierta cantidad de pelusa y polvo en el interior, que se debe eliminar periódicamente:

1. Desconecte la electricidad en el tablero del panel eléctrico (cortacircuito o caja de fusibles). Trabe o coloque un cartel en la puerta del tablero del panel para evitar que alguien conecte accidentalmente la energía mientras se esté trabajando en el calentador. De lo contrario podrían producirse graves golpes eléctricos, quemaduras e incluso la muerte.
2. Deje que el calentador se enfríe a temperatura ambiente antes de continuar.
3. Retire el panel delantero.
4. Aspire el interior de la unidad, con cuidado de no dañar las aletas de aluminio en el tubo del calentador.

⚠ ¡ADVERTENCIA! ⚠
Riesgo de electrocución.
Al trabajar con electricidad, desconecte la energía en el tablero del panel eléctrico y trabe o coloque un cartel en la puerta del cortacircuito.
¡De lo contrario podrían producirse graves golpes eléctricos, quemaduras e incluso la muerte!

CÓMO FUNCIONAN LOS ZÓCALOS SOTHEAT HIDRÓNICOS

Un elemento termoeléctrico calienta el fluido térmico que se encuentra herméticamente sellado en el interior del zócalo Softheat. A medida que la solución se calienta, se genera calor que se transmite a decenas de aletas de aluminio a lo largo del tubo del calentador (inicialmente, calentar una habitación podría tardar entre 30 y 60 minutos, dependiendo de su tamaño). A medida que el calor se expande desde el calentador, el aire más fresco desde el piso y la pared fluyen de manera natural hacia la base del calentador. "Calentamiento del aire por convección" (vea la figura 12) significa que no se necesitan ventiladores ruidosos y que la habitación se calefacciona con una temperatura cómoda y pareja. No habrá puntos calientes y fríos en la habitación, como ocurre con otros tipos de calentadores. Softheat no sopla ni quema partículas de polvo, lo que lo hace apto para usarse en entornos de pacientes con alergias o afecciones respiratorias.

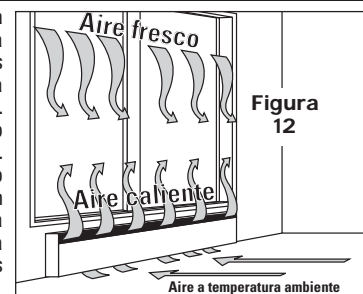


TABLA DE RESOLUCIÓN DE PROBLEMAS

CONSULTE LOS CÓDIGOS ELÉCTRICOS LOCALES PARA DETERMINAR QUÉ TRABAJOS DEBEN SER REALIZADOS POR PERSONAL DE SERVICIO ELÉCTRICO CALIFICADO

| SÍNTOMA | PROBLEMA | SOLUCIÓN |
|--|--|--|
| Ruido de borbotones | 1. Puede que la unidad no esté nivelada 2. Es posible que se haya producido una fuga en la unidad | 1. Verifique que la unidad esté nivelada. Si el gorgoteo no se detiene en un plazo de 30 minutos, se deberá reemplazar la unidad. 2. Reemplace el elemento o el calentador. |
| El calentador no funciona | 1. El calentador no recibe el voltaje para funcionar correctamente 2. Unidad cableada incorrectamente | 1. El cortacircuito podría estar mal dispuesto. Colóquelo en otro lugar. Revise el voltaje en el calentador entre los alambres de suministro y cerciórese de que coincida con el voltaje que requiere el calentador. 2. Utilizando la Guía del propietario, verifique que los alambres estén conectados de manera correcta y segura con las tuercas de cableado correspondientes. Si la unidad aún no funciona, se deben realizar más pruebas con un ohmímetro. Consulte a un electricista. |
| Hay líquido en la unidad o sus alrededores | 1. Puede que haya una fuga de fluido térmico del elemento | 1. Deje de usar inmediatamente el producto. *Reemplace el elemento o el calentador (los elementos no se pueden reparar). |
| La habitación no se calienta con rapidez | 1. La unidad calienta lentamente 2. Unidad cableada incorrectamente | 1. No es necesaria una solución; el tiempo típico de calentamiento tarda de 30 a 60 minutos. 2. Revise el voltaje en el calentador entre los alambres de suministro y cerciórese de que coincida con el voltaje que requiere el calentador. |
| El calentador no se apaga | 1. La pérdida de calor en la habitación supera la capacidad del calentador. 2. Termostato defectuoso 3. El termostato está cableado al calentador de forma incorrecta. | 1. Cierre las puertas y ventanas. Coloque aislamiento adicional, instale un calentador de mayor vatiaje o múltiples calentadores si fuera necesario. 2. Ajuste el termostato a la graduación más baja. Si el calentador continúa funcionando (espere un poco para que el termostato tenga tiempo de responder al ajuste), reemplace el termostato. 3. Consulte la documentación del termostato y cableado correcto. |

*Qué hacer si hay una fuga de solución en el zócalo Softhead:

La solución en el zócalo Softhead es un fluido térmico no tóxico (si lo desea, puede solicitarnos una Hoja de datos de seguridad de materiales). Esta solución no es tóxica si se ingiere, y no produce problemas de salud inmediatos en la calidad del aire tras producirse un derrame. Adopte las precauciones adecuadas para mantener a las personas y animales alejados de la fuga. Se deben usar guantes de caucho no porosos y protectores oculares durante la limpieza si es que la exposición y el contacto duran más de dos horas.

Absorba el derrame con un material adecuado para tal efecto, como toallas de papel. Una vez que el exceso o residuos líquidos se hayan absorbido, se puede usar un producto no oxidante como algún limpiador cítrico de naranja para eliminar los residuos secos restantes (primero pruebe en una sección oculta del piso para ver si se destiñe). Friegue la zona del derrame y luego use el material absorbente para eliminar el limpiador restante. Es posible que se requieran varias aplicaciones del limpiador, dependiendo del tamaño y cantidad del derrame.

GARANTÍA

Mantenimiento: Para lograr una operación más eficaz y segura y prolongar la vida útil del calentador, lea la Guía del propietario y siga las instrucciones de mantenimiento incluidas con cada unidad. Si no le da el mantenimiento adecuado al calentador invalidará la garantía y puede hacer que el aparato funcione incorrectamente. Las garantías no son transferibles y rigen sólo para el comprador original. Los términos de la garantía se indican a continuación.

GARANTÍA LIMITADA DE UN AÑO: Cadet Manufacturing Co. reparará o reemplazará todo producto Cadet, incluyendo termostatos, que se determine que está averiado o funcionando mal, durante un año a partir de la fecha de compra.

GARANTÍA LIMITADA DE SIETE AÑOS: Cadet Manufacturing Co. reparará o reemplazará todo de zócalo Cadet/Softhead (EBHN), que se determine que está averiado o funcionando mal, durante siete años a partir de la fecha de compra.

ESTAS GARANTÍAS NO SON PERTINENTES PARA:

- Daños que sufra el producto por instalación o voltaje de suministro incorrectos;
- Daños que sufra el producto por mantenimiento incorrecto, uso indebido, abuso, accidente o alteraciones;
- Servicio que se le haya dado al producto por parte de personas o entidades ajenas a Cadet;
- Casos en que no se pueda determinar la fecha de fabricación del producto;
- Casos en que el producto resulte dañado durante el embarque por causas ajenas a Cadet.
- LA GARANTÍA DE CADET SE LIMITA A LA REPARACIÓN O REEMPLAZO, TAL COMO SE ESTABLECE EN ESTE DOCUMENTO. CADET NO SE HARÁ RESPONSABLE POR DAÑOS A LA PROPIEDAD O DAÑOS CONSECUENTES, COMO TAMPOCO POR GASTOS ACCIDENTALES DEBIDO AL INCUMPLIMIENTO DE ESTAS GARANTÍAS ESCRITAS O DE CUALQUIER GARANTÍA EXPRESA O IMPLÍCITA.

- EN CASO DE QUE CADET DECIDA REEMPLAZAR ALGUNA PIEZA DEL PRODUCTO CADET, LOS REPUESTOS SE REGISTRÁN POR LAS MISMAS GARANTÍAS DEL PRODUCTO. LA INSTALACIÓN DE LOS REPUESTOS NO MODIFICA NI PROLONGA LAS GARANTÍAS VIGENTES. EL REEMPLAZO O REPARACIÓN DE TODO PRODUCTO O PIEZA CADET NO ORIGINA NINGÚN TIPO DE NUEVA GARANTÍA.
- Estas garantías le otorgan derechos legales específicos y es posible que usted tenga otros derechos que varíen de un estado a otro. Cadet no asume ni autoriza a nadie que lo haga en su nombre, ninguna otra obligación o responsabilidad en relación con sus productos que no sean las que se establecen en este documento.

Si durante el período de garantía usted considera que su producto Cadet presenta defectos, comuníquese con Cadet Manufacturing Co. llamando al 360-693-2505 para obtener instrucciones sobre cómo tramitar la reparación o el reemplazo del producto. Los reclamos de garantía presentados después de la finalización del período no serán acogidos. Los productos que se devuelvan sin autorización serán rechazados.

Repuestos y servicio

En <http://support.cadetco.com> encontrará información sobre dónde obtener repuestos y servicio.



Reduzca-reutilice-recicle

Este producto está hecho principalmente de materiales reciclables. Puede reducir la cantidad de carbono que contribuye al medio ambiente reciclando este producto al término de su vida útil. Comuníquese con su centro local de reciclaje para obtener mayores instrucciones al respecto.

Free Manuals Download Website

<http://myh66.com>

<http://usermanuals.us>

<http://www.somanuals.com>

<http://www.4manuals.cc>

<http://www.manual-lib.com>

<http://www.404manual.com>

<http://www.luxmanual.com>

<http://aubethermostatmanual.com>

Golf course search by state

<http://golfingnear.com>

Email search by domain

<http://emailbydomain.com>

Auto manuals search

<http://auto.somanuals.com>

TV manuals search

<http://tv.somanuals.com>