

See Warranty on page 5 for important information about commercial use of this product.

Operating Instructions and Replacement Parts List

Please read and save these instructions. Read carefully before attempting to assemble, install, operate or maintain the product described. Protect yourself and others by observing all safety information. Failure to comply with instructions could result in personal injury and/or property damage! Retain instructions for future reference.



Spray Guns for Airless Paint Sprayers

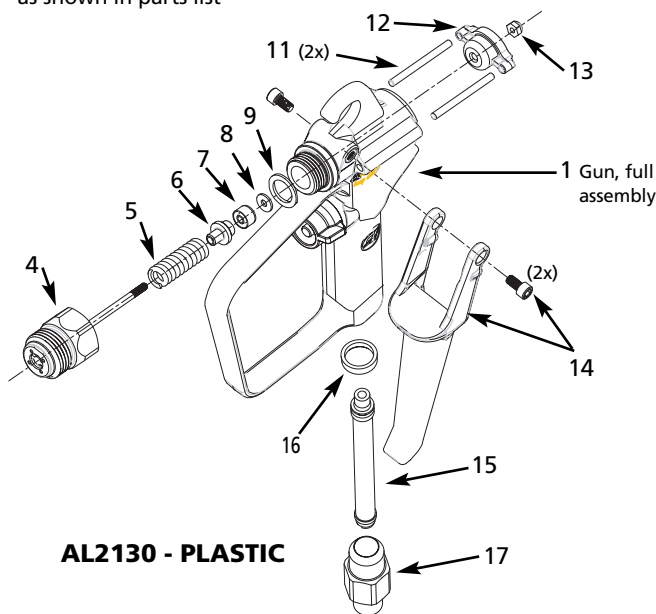
**For Replacement Parts and Accessories,
Contact Your Local Service Center or Call 1-800-626-4401**

Please provide the following information:

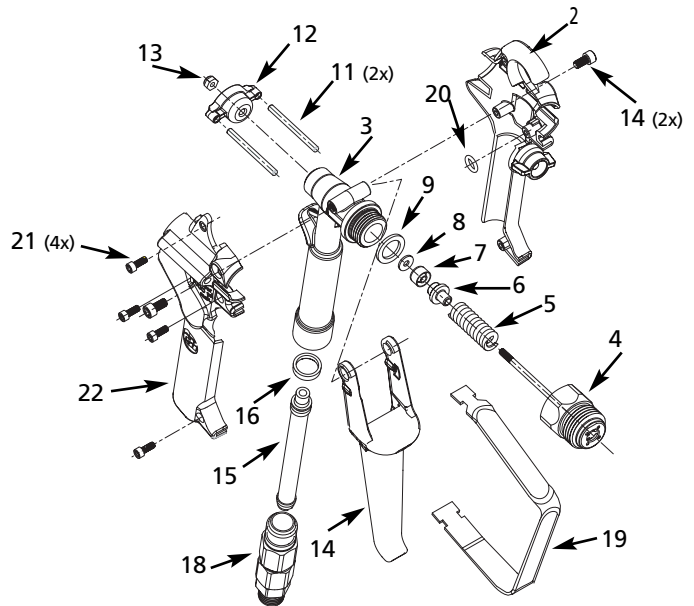
- Model number
- Serial number
- Part description and number as shown in parts list

Address parts correspondence:

The Campbell Group
Attn: Parts Department
100 Production Drive
Harrison, OH 45030 U.S.A.



AL2130 - PLASTIC



AL2140 - METAL

Replacement Parts List

Ref. No.	Description	Part Number	Qty.
1	Gun (Full Assembly w/ All Parts)	AL183000SV	1
2	Kit, Pro Gun Left Grip, Lock and Guard	AL184400SV	1
3	Insert, Gun	AL179801AV	1
4	Kit, Stem and Diffuser (includes #7)	AL183400SV	1
5	Spring, Gun	AL048600AV	1
6	Retainer, Gun Spring	AL020201AV	1
7	Seal, Gun	AL020300AV	1
8	Washer, Seal	AL153801AV	1
9	Washer, Gun Seat Retainer	AL005404AV	1
10	Kit, Gun Seal (Includes #7, #8, #9)	AL183600SV	1
11	Pin, Gun Actuator	AL024102AV	2
12	Actuator, Gun	AL182700AV	1
13	Nut, #5-40 Hex Lock	ST073804AV	1
14	Kit, Gun Trigger (Trigger, Screws)	AL183100SV	1
15	Gun Filters, 100 Mesh (yellow)	AL086101AJ	2 pk
	50 Mesh (white)	AL086100AJ	2 pk

Ref. No.	Description	Part Number	Qty.
16	Washer, Long Filter	MJ105402AV	1
17	Adapter, Long Filter	AL072301AV	1
18	Assembly, Pro Gun Swivel (optional)	AL1835	1
19	Guard, Pro Gun Trigger	AL184600AV	1
20	O-Ring	MJ106511AV	1
21	Screw, #5-40 x 5/16" SHC	MJ103804AV	4
22	Grip, Right, Pro Gun	AL184300AV	1

Additional Items Available:

Kit, Gun Valve – Includes #4 - #9, #13	AL183200SV
Kit, Gun Actuator – Includes #11, #12, #13	AL183700SV
Kit, Pro Gun Insert – Includes #3 - #9, #16	AL184100SV
Kit, Pro Gun Full Grip – Includes #2, #19 - #22	AL184500SV

REMINDER: Keep your dated proof of purchase for warranty purposes! Attach it to this manual or file it for safekeeping.

Description

Airless paint sprayers are capable of spraying a wide variety of latex, oil-based, and alkyd paints, as well as stains, preservatives and other non-abrasive finishes. Sprayers are also powerful and versatile enough to be used with a variety of options (roller attachment, extra lengths of hose, etc.) to be an even more efficient tool.

Important Safety Instructions

Save these instructions.

This manual contains information that is very important to know and understand. This information is provided for SAFETY and to PREVENT EQUIPMENT PROBLEMS. To help recognize this information, observe the following symbols.

▲DANGER *Danger indicates an imminently hazardous situation which, if not avoided, WILL result in death or serious injury.*

▲WARNING *Warning indicates a potentially hazardous situation which, if not avoided, COULD result in death or serious injury.*

▲CAUTION *Caution indicates a potentially hazardous situation which, if not avoided, MAY result in minor or moderate injury.*

NOTICE *Notice indicates important information, that if not followed, may cause damage to equipment.*

Unpacking

After unpacking the unit, inspect carefully for any damage that may have occurred during transit. Make sure to tighten fittings, bolts, etc., before putting unit into service.

▲WARNING *Do not operate unit if damaged during shipping, handling or use. Damage may result in bursting and cause injury or property damage.*

General Safety Information

1. To reduce the risk of fire or explosion, electrical shock, and injury to persons, read and understand all instructions included with this product. Be familiar with the controls and the proper use of the equipment.



2. This product should be grounded. Follow all grounding instructions included with your sprayer (pump).

▲WARNING

To reduce risk of fire or explosion:



1. Do not spray flammable or combustible materials near an open flame or sources of ignition such as cigarettes, motors, and electrical equipment.
2. Paint or solvent flowing through the equipment is able to result in static electricity. Static electricity creates a risk of fire or explosion in the presence of paint or solvent fumes. All parts of the spray system, including the pump, hose assembly, spray gun, and objects in and around the spray area shall be properly grounded to protect against static discharge and sparks. Use only conductive or grounded high-pressure airless paint sprayer hoses specified by the manufacturer.
3. Verify that all containers and collection systems are grounded to prevent static discharge.
4. Connect your sprayer to a grounded outlet and use grounded extension cords. Do not use a 3 prong to 2 prong adapter.
5. Do not use paints or solvents containing halogenated hydrocarbons such as methyl bromine, carbon tetrachloride, and ethyl iodine.
6. Keep spray area well ventilated. Keep a good supply of fresh air moving through the spray area.
7. Do not smoke or eat in the spray area.
8. Do not operate light switches, engines, or similar spark producing products in the spray area.
9. Keep area clean and free of paint or solvent containers, rags, and other flammable materials.
10. Know the contents of the paints and solvents being sprayed. Read all Material Safety Data Sheets (MSDS) and container labels provided with the paints and solvents. Follow the paint and solvent manufacturer's safety instructions.
11. Do not use materials with a flash point less than 20°C (70°F) in or to clean this equipment. (Examples of acceptable cleaning solvents are: water, mineral spirits, lacquer thin-

ner, Xylene and high flash naphtha. A PARTIAL example list of unacceptable cleaning solvents are low flash naphtha, mek, acetone, alcohol, toluene and fuels of any kind.

12. Have fire extinguisher equipment present and working.

▲WARNING

To reduce the risk of skin injection:



1. Do not aim the gun at, or spray, any person or animal.
2. Keep hands and other body parts away from the discharge. For example, do not try to stop leaks with any part of the body.
3. Always use the nozzle tip guard. Do not spray without nozzle tip guard in place.
4. Do not remove tip while cleaning the pump.
5. Only use a nozzle tip specified by the manufacturer.
6. Use caution when cleaning and changing nozzle tips. Before removing the nozzle tip, follow the manufacturer's instructions for turning off the unit and relieving the pressure.
7. Do not leave the unit energized or under pressure while unattended. When not in use turn off the unit and relieve the pressure in accordance with the manufacturer's instructions.
8. High pressure spray is able to inject toxins into the body and cause serious bodily injury. In the event that injection occurs, seek medical attention immediately.
9. Check parts for signs of damage. Replace any damaged parts.
10. This spray gun is rated for 3000 psi (205 bar). Do not use on systems designed to produce more than 3000 psi (205 bar).
11. Always engage the trigger lock when not spraying. Verify the trigger lock is functioning properly.
 - To lock (engage): rotate tabs on lock to horizontal position.
 - To unlock (disengage) to spray: rotate tabs on lock to vertical position.

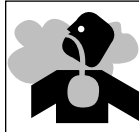
General Safety Information (Cont.)

NOTE: If gun sprays while in the locked position follow instructions in Maintenance section for trigger lock.

- Verify that all connections are secure before operating. Do not use pliers to tighten or loosen high pressure connections.
- Know how to stop your unit and bleed pressure quickly. Be thoroughly familiar with the controls.

AWARNING

To reduce the risk of injury:



- Do not spray acids, corrosive materials, toxic chemicals, fertilizers, or pesticides. Using these materials could result in death or serious injury.
- Always wear appropriate gloves, eye protection, and a respirator or mask when painting.
- Always work in a clean environment. Do not aim the spray gun at any dust or debris.
- Do not operate or spray near children. Keep children, pets, and visitors away from equipment and work area at all times.
- Do not over reach or stand on an unstable support. Keep effective footing and balance at all times.
- Stay alert and watch what you are doing.
- Do not operate the equipment when fatigued or under the influence of drugs or alcohol.

FAILURE TO FOLLOW THESE INSTRUCTIONS CAN RESULT IN SERIOUS INJURY INCLUDING DEATH.

Preparation

Airless painting systems, unlike most other power tools, require additional care to ensure proper working order.

CONSULT YOUR AIRLESS PAINT SPRAYER OWNER'S MANUAL FOR OPERATING INSTRUCTIONS.

Spraying Instructions

Professional looking results can be obtained by following the spray tips below.

- Keep the gun perpendicular to the surface.

Always hold the gun perpendicular to the surface with the tip approximately 12" from the surface. If held at an angle (up and down or side to side), paint will build up unevenly, leave the work splotchy, and cause excessive overspray (See Figure 1).

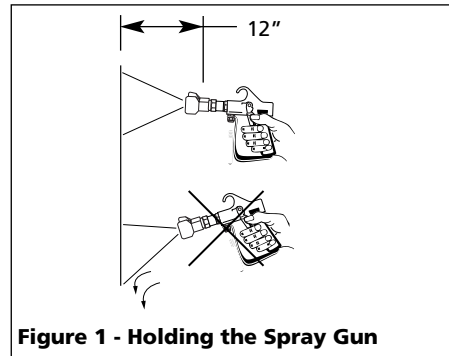


Figure 1 - Holding the Spray Gun

- Move with a smooth arm stroke
Move the gun at a steady, even pace while keeping the gun perpendicular to the surface (See Figures 1 & 2). Do not fan the gun. Fanning the gun will cause excessive overspray and uneven coverage (See Figure 2).

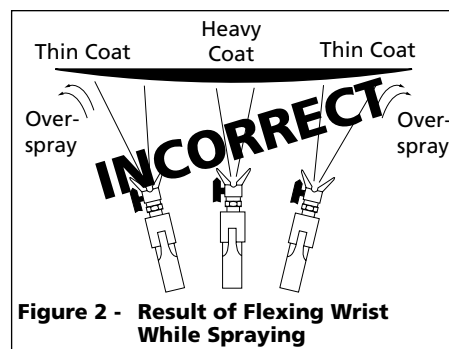


Figure 2 - Result of Flexing Wrist While Spraying

- Start moving the gun before triggering
To get a smooth overlap and prevent initial paint buildup, start your stroke movement before pulling the trigger. Release the trigger before stopping at the end of the stroke (See Figure 3).

NOTE: To assure uniform paint coverage, overlap each stroke by 20% - 30% and use two coats with a cross pattern (one coat horizontal, second coat vertical).

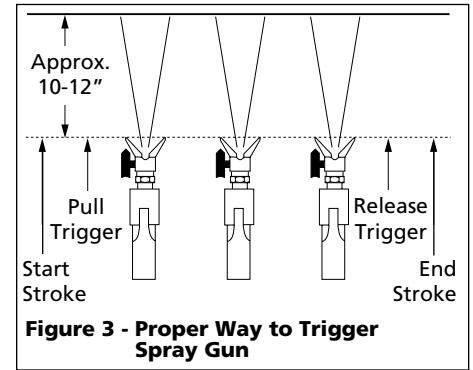


Figure 3 - Proper Way to Trigger Spray Gun

HOW TO CHANGE SPRAY TIPS:

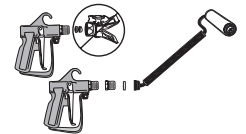
It may be necessary to change spray tips during a paint job. Follow these steps for safe, easy tip changes.

- Depressurize and turn off unit per manufacturer's instructions.
- Engage gun trigger lock.
- Pull red tip insert out of spray base and replace with different tip, fully inserting tip into base.



HOW TO ATTACH ROLLER ACCESSORY:

- Depressurize and turn off unit per manufacturer's instructions.
- Engage gun trigger lock.
- Remove spray base, tip, seal and washer assembly.
- Attach roller accessory (AL2275 shown) to airless spray gun. If needed use thread adapter and washer between roller and spray gun as shown.



INTERMITTENT USE

If you are spraying and decide to stop for several minutes, lock the spray gun trigger and submerge the tip in a container of suitable solvent (See Figure 4). This will prevent paint from hardening in the tiny spray opening and clogging the tip. **Be sure to release the pressure in the system and turn the unit off according to the manufacturer's instructions.**

CLEARING CLOGS

REVERSIBLE TIP: (Included)

- Rotate the tip to the clean position (See Figure 5).

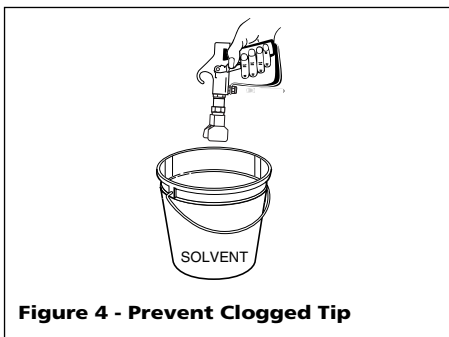


Figure 4 - Prevent Clogged Tip

Spraying Instructions (Cont.)

2. Point gun in a safe direction and spray. This should clear tip of any blockage.
3. Rotate the tip back to the spray position and continue spraying (See Fig. 5).
4. If clogging continues, replace gun filter and consider straining the paint prior to use.

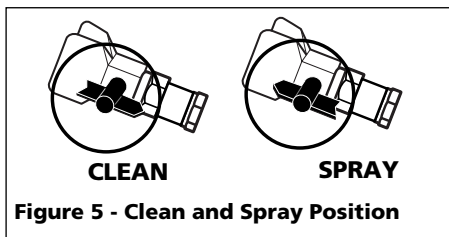


Figure 5 - Clean and Spray Position

NOTICE *Equipment damage can occur if a needle or sharp object is used to clean the tip. Tungsten carbide is brittle and can be chipped.*

FIXED TIP:

1. Depressurize and turn off the unit per manufacturer's instructions.
2. Lock gun trigger.
3. Remove tip and tip guard from the gun.
4. Soak tip in water or appropriate solvent and brush away old paint or impurities with a toothbrush until the tip orifice has been cleared.

ADJUSTABLE TIP:

1. Turn adjustment knob fully counterclockwise to open tip to largest spray pattern.
2. Pull trigger and spray into a bucket or container. This should clear the tip of any blockage.
3. If clogging continues, replace gun filter and consider straining the paint prior to use.

CLEANING YOUR GUN: Follow cleaning, use and maintenance instructions included with your paint sprayer. After flushing the pump and when finishing:

1. Rotate Spray Tip to the cleaning position.

2. Release Trigger Lock.
3. Point Spray Gun into an empty waste bucket and pull the Trigger. Spray at least 1 gallon of fluid into waste bucket. To reduce splashing, direct the fluid stream along the inside of the bucket and well above the fluid level.

REFER TO PAINT SPRAYER SHUT-DOWN PROCEDURES.

4. Depressurize and turn off sprayer per manufacturer's instructions.
5. With the gun pointed in a safe direction, pull the gun trigger with the trigger lock disengaged to ensure system is depressurized.
6. Engage Trigger Lock.
7. At this point the pump and spray gun are clean, but still require preparation for storage. Spray Tip Guard or any accessory being used still require cleaning.

CLEANING SPRAY TIP GUARD:

1. Remove Spray Tip with 1" or adjustable wrench.
2. Clean Tip Guard with a cleaning brush.

Maintenance

NOTICE *Pump damage may occur if these instructions are not followed.*

AWARNING *Before performing any maintenance, make sure to relieve pressure from system and disconnect power from sprayer.*

- Do not use oil based solvents to clean equipment after using latex based coatings. Use only warm soapy water.
- Always replace clogged gun filters, do not attempt to clean them.
- Carefully follow cleaning and storage instructions for your sprayer.
- Do not use metal or other hard objects to pick dried paint material from Spray Tip Orifice.

TRIGGER LOCK

AWARNING

Pulling the trigger must not open the gun valve when trigger lock is activated.



You should be able to get the actuator to wiggle slightly with your finger while holding the trigger against the

trigger lock when it is in the locked position. If you cannot, adjust the trigger position by following these instructions:

1. Place trigger in locked orientation (tabs horizontal).
2. With one hand holding trigger lightly against lock, use a 1/4" nut driver to turn nut in until trigger starts to come off the lock.
3. Reverse the nut (counterclockwise) 1/2 turn.

TIP SEAL AND WASHER

Occasionally, you will need to replace the silver seal and black washer located inside the tip base.

1. To replace seal and washer, first loosen tip base with adjustable wrench, and then remove by hand.
2. Remove spray tip.
3. With Phillips screwdriver, push seal and washer out from front of tip base.
4. With flat side of seal facing up, place seal in base. Make sure it lines up properly with base.
5. Place washer in base. Make sure it lines up properly with base.
6. Put spray tip back in tip base.
7. Reattach tip base to gun valve.

AWARNING

Make sure spray tip and tip base fit snugly in place. A loose fit can lead to misdirected spray discharge and a skin injection hazard.



Limited Warranty

1. **DURATION:** From the date of purchase by the original purchaser as follows: Standard Duty Paint Application Systems and all Paint Application Accessories - 1 year, Serious Duty Paint Application Systems - 3 years, Extreme Duty Paint Application Systems - 5 years.
2. **WHO GIVES THIS WARRANTY (WARRANTOR):** Campbell Hausfeld/A Scott Fetzer Company, 100 Production Drive, Harrison, Ohio, 45030, Telephone: 1-800-626-4401.
3. **WHO RECEIVES THIS WARRANTY (PURCHASER):** The original purchaser (other than for purposes of resale or rental) of the Campbell Hausfeld Product.
4. **WHAT PRODUCTS ARE COVERED BY THIS WARRANTY:** All non-compressor driven paint application systems, HVLP spraying systems, and paint application accessories supplied or manufactured by the Warrantor.
5. **WHAT IS COVERED UNDER THIS WARRANTY:** Defects in material and workmanship which occur within the duration of the warranty period. Warrantor will also cover normal wear items for a period of thirty days from the date of original purchase against defects in material and workmanship. These wear items are: HVLP-filters, motor brushes, gun packing, gun canister seal, gun check valve and gun air flow ring; Airless-inlet valve, outlet valve, gun valve, filters, tips, all seals and o-rings.
6. **WHAT IS NOT COVERED UNDER THIS WARRANTY:**
 - A. Implied warranties, including those of merchantability and FITNESS FOR A PARTICULAR PURPOSE ARE LIMITED FROM THE DATE OF ORIGINAL PURCHASE AS STATED IN THE DURATION. If standard duty product is used for commercial or industrial purposes, the warranty will apply for ninety (90) days from the date of original purchase. If product is used for rental purposes, the warranty will apply for ninety (90) days from the date of original purchase. Some states do not allow limitation on how long an implied warranty lasts, so the above limitations may not apply to you.
 - B. ANY INCIDENTAL, INDIRECT, OR CONSEQUENTIAL LOSS, DAMAGE, OR EXPENSE THAT MAY RESULT FROM ANY DEFECT, FAILURE, OR MALFUNCTION OF THE CAMPBELL HAUSFELD PRODUCT. Some states do not allow the exclusion or limitation of incidental or consequential damages, so the above limitation or exclusion may not apply to you.
 - C. Any failure that results from an accident, purchaser's abuse, neglect or failure to operate products in accordance with instructions provided in the owner's manual(s) supplied with product. Accident, purchaser's abuse, neglect or failure to operate products in accordance with instructions shall also include the removal or alteration of any safety devices. If such safety devices are removed or altered, this warranty is void.
 - D. Normal adjustments which are explained in the owner's manual(s) provided with the product.
 - E. Items or services that are normally required to maintain the product: HVLP-filters, motor brushes, gun packing, gun canister seal, gun check valve and gun air flow ring; Airless-inlet valve, outlet valve, gun valve, filters, tips, all seals and o-rings, or any other expendable part not specifically listed, will only be covered for thirty days from date of original purchase.
7. **RESPONSIBILITIES OF WARRANTOR UNDER THIS WARRANTY:** Repair or replace, at Warrantor's option, products or components which are defective, have malfunctioned and/or failed to conform within duration of the warranty period.
8. **RESPONSIBILITIES OF PURCHASER UNDER THIS WARRANTY:**
 - A. Provide dated proof of purchase and maintenance records.
 - B. Deliver or ship the Campbell Hausfeld product or component to the nearest Campbell Hausfeld Authorized Service Center. Freight costs, if any, must be borne by the purchaser.
 - C. Use reasonable care in the operation and maintenance of the products as described in the owner's manual(s).
9. **WHEN WARRANTOR WILL PERFORM REPAIR OR REPLACEMENT UNDER THIS WARRANTY:** Repair or replacement will be scheduled and serviced according to the normal work flow at the servicing location, and depending on the availability of replacement parts.

This Limited Warranty applies in the U.S., Canada and Mexico only and gives you specific legal rights. You may also have other rights which vary from state to state, or country to country.

Instructions d'Utilisation et Liste de Pièces de Rechange

S'il vous plaît lire et conserver ces instructions. Lire attentivement avant de monter, installer, utiliser ou de procéder à l'entretien du produit décrit. Se protéger ainsi que les autres en observant toutes les instructions de sécurité, sinon, il y a risque de blessure et/ou dégâts matériels! Conserver ces instructions comme référence.



Pistolets Vaporisateurs pour Pulvérisateurs de Peinture Sans Air

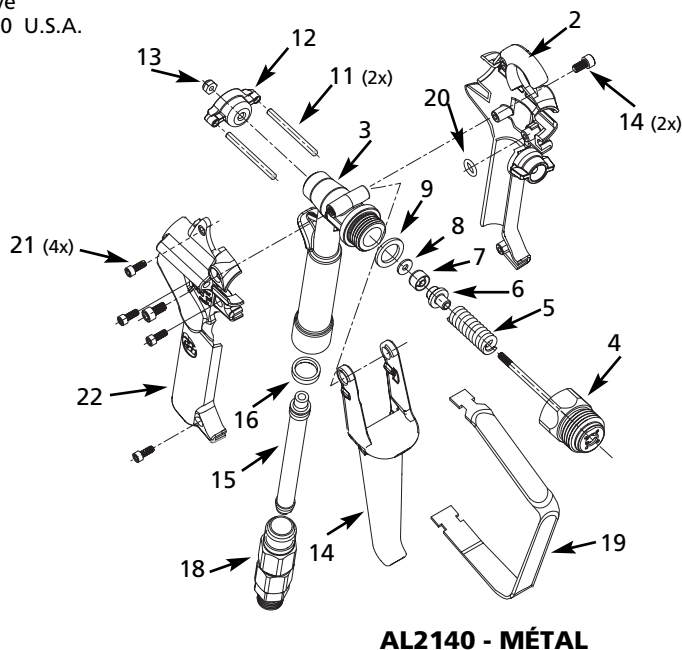
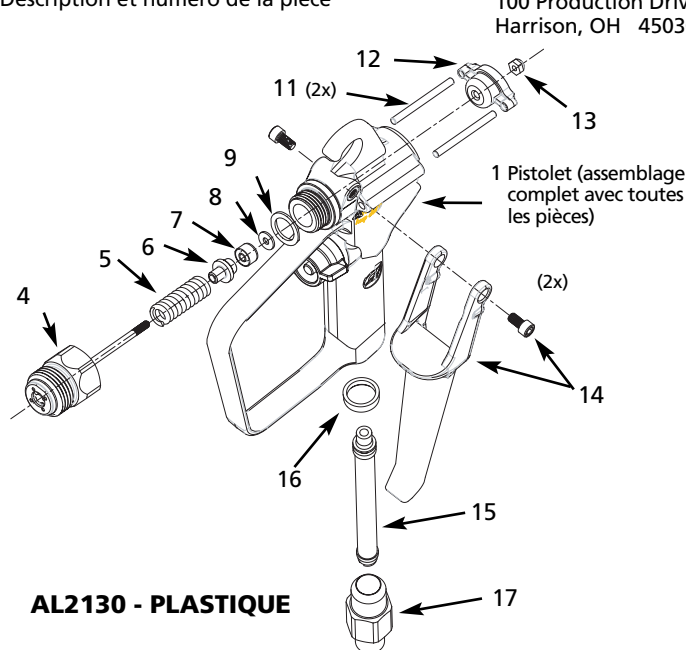
Pour Pièces de Rechange et Accessoires, Contacter Votre Centre de Service ou Appeler 1-800-626-4401

S'il vous plaît fournir l'information suivante:

- Numéro de modèle
- Numéro de série
- Description et numéro de la pièce

Correspondance:

The Campbell Group
Attn: Parts Department
100 Production Drive
Harrison, OH 45030 U.S.A.



Liste de Pièces de Rechange

N° de Réf.	Description	Numéro de Pièce	Qté.
1	Pistolet (assemblage complet avec toutes les pièces)	AL183000SV	1
2	Trousse, prise gauche du pistolet Pro Gun, verrou et dispositif de protection	AL184400SV	1
3	Garniture, pistolet	AL179801AV	1
4	Trousse, tige et diffuseur (inclut #7)	AL183400SV	1
5	Ressort, pistolet	AL048600AV	1
6	Fixation, ressort de pistolet	AL020201AV	1
7	Joint d'étanchéité, pistolet	AL020300AV	1
8	Rondelle, joint d'étanchéité	AL153801AV	1
9	Rondelle, fixation du siège du pistolet	AL005404AV	1
10	Trousse, joint d'étanchéité du pistolet (inclut #7, #8, #9)	AL183600SV	
11	Goupille, activateur de pistolet	AL024102AV	2
12	Activateur, pistolet	AL182700AV	1
13	Écrou, verrou hex #5-40	ST073804AV	1
14	Trousse, gâchette de pistolet (pistolet, vis)	AL183100SV	

N° de Réf.	Description	Numéro de Pièce	Qté.
15	Filtres de pistolet, 100 mèches ((jaune) 50 mèches (blanc)	AL086101AJ 2 pqt AL086100AJ 2 pqt	
16	Rondelle, long filtre	MJ105402AV	1
17	Adaptateur, long filtre	AL072301AV	1
18	Assemblage, pivot Pro Gun (optionnel)	AL1835	1
19	Dispositif de protection, gâchette Pro Gun	AL184600AV	1
20	Joint torique	MJ106511AV	1
21	Vis, #5-40 x 5/16 po SHC	MJ103804AV	4
22	Prise, droite, Pro Gun	AL184300AV	1

Autres articles disponibles :

Trousse, soupape de pistolet - Inclut #4 - #9, #13	AL183200SV
Trousse, activateur de pistolet - Inclut #11, #12, #13	AL183700SV
Trousse, garniture Pro Gun - Inclut #3 - #9, #16	AL184100SV
Trousse, prise complète Pro Gun - Inclut #2, #19 - #22	AL184500SV

MÉMENTO: Gardez votre preuve datée d'achat à fin de la garantie!
Joignez-la à ce manuel ou classez-la dans un dossier pour plus de sécurité.

Description

Les pulvérisateurs de peinture sans air peuvent pulvériser une variété de peintures latex, à base d'huile et alkyd, ainsi que les teintures, préservatifs et autres finis non-abrasifs. Les pulvérisateurs sont aussi assez puissants et polyvalents pour utiliser avec un assortiment d'accessoires (rouleaux, et prolongements extra de tuyaux, etc.).

Importantes instructions de sécurité

Conservé ces instructions

Ce manuel contient de l'information très importante qui est fournie pour la SÉCURITÉ et pour ÉVITER LES PROBLÈMES D'ÉQUIPEMENT. Rechercher les symboles suivants pour cette information.

⚠ DANGER

Danger indique

une situation hasardeuse imminente qui RÉSULTERA en perte de vie ou blessures graves.

⚠ AVERTISSEMENT

Avertissement

indique une situation hasardeuse potentielle qui PEUT résulter en perte de vie ou blessures graves.

⚠ ATTENTION

Attention indique

une situation hasardeuse potentielle qui PEUT résulter en blessures.

AVIS

Avis indique

l'information importante pour éviter le dommage de l'équipement.

Déballage

Lors du déballage, l'examiner soigneusement pour rechercher toute trace de dommage susceptible de s'être produit en cours de transport. Serrer tous raccords, boulons, etc., avant d'utiliser le modèle.

⚠ AVERTISSEMENT

Ne pas faire

fonctionner un modèle qui a été endommagé pendant le transport, la manipulation ou l'utilisation. Le dommage peut résulter en éclatement et peut causer des blessures ou dégâts matériels.

Généralités Sur La Sécurité

1. Pour réduire les risques d'incendie ou d'explosion, de chocs électriques et de blessures, lire et comprendre toutes les instructions incluses avec ce produit. Se familiariser avec les contrôles et la bonne utilisation de l'équipement.



2. Ce produit doit être mis à la terre. Suivre toutes les instructions de mise à la terre incluses avec votre pulvérisateur (pompe).

⚠ AVERTISSEMENT

Pour réduire les risques d'incendie ou d'explosion:



1. Ne pas pulvériser de matériaux combustibles ou inflammables près de flammes nues ou de sources d'incendie telles que cigarettes, moteurs et équipement électrique.
2. La peinture et les solvants qui circulent dans l'équipement peuvent créer de l'électricité statique. Cette électricité crée à son tour un risque d'incendie ou d'explosion en présence de fumées de peinture ou de solvants. Toutes les pièces du système de pulvérisation, y compris la pompe, l'assemblage du boyau, le pistolet de pulvérisation et les objets entourant la région de pulvérisation doivent être bien mis à la terre pour se protéger contre les étincelles et les décharges statiques. Utiliser seulement des tuyaux de pulvérisateurs de peinture sans air haute pression mis à la terre ou conducteurs spécifiés par le fabricant.
3. Vérifier que tous les contenants et systèmes de cueillette sont mis à la terre pour éviter toute décharge statique.
4. Connecter votre pulvérisateur à une prise mise à la terre et utiliser des rallonges mises à la terre. Ne pas utiliser d'adaptateur à 2 fiches à 3 fiches.
5. Ne pas utiliser de peintures ou de solvants contenant des hydrocarbures halogénés tels que le brome de méthyle, le tétrachlorure de carbone et l'iode d'éthyle.
6. Garder l'endroit de la pulvérisation bien ventilé. Faire circuler de l'air frais dans cet endroit.
7. Ne pas fumer ni manger dans l'endroit de pulvérisation.
8. Ne pas faire fonctionner d'interrupteurs, de moteurs ou autres produits produisant des étincelles dans le secteur de pulvérisation.
9. Garder l'endroit propre et libre de contenants de peinture ou de solvants, de chiffons et autres matériaux inflammables.
10. Il faut connaître le contenu des peintures et des solvants pulvérisés. Lire les fiches signalétiques de sécurité des produits (FSPP) et les étiquettes des contenants de peintures et de solvants. Suivre les instructions de sécurité du fabricant de peintures et de solvants.
11. Ne pas utiliser de matériaux avec un point d'éclair de moins de 20 °C (70

°F) dans ou pour nettoyer cet équipement. (Exemples de solvants de nettoyage acceptables : eau, essence minérale, diluant de laque, xylène et naphte lourd. Voici une liste PARTIELLE d'exemples de solvants de nettoyage inacceptables : naphte à point d'éclair bas, méthyléthylcétone, acétone, alcool, toluène et carburants de toute sorte.

12. Avoir sur place de l'équipement d'extinction et en état de fonctionner.

⚠ AVERTISSEMENT

Pour réduire les risques d'injection dans la peau.



1. Ne pas pointer le pistolet ou le pulvérisateur vers toute personne ou animal.
2. Garder les mains et autres parties du corps loin de la décharge. Par exemple, ne pas essayer d'arrêter les fuites avec toute partie du corps.
3. Toujours utiliser un embout protecteur de la buse. Ne pas pulvériser sans avoir l'embout protecteur de buse en place.
4. Ne pas retirer la buse en nettoyant la pompe.
5. Utiliser seulement la buse spécifiée par le fabricant.
6. Prudence pour le nettoyage et le changement de buses. Avant de retirer la buse, suivre les instructions du fabricant pour mettre l'appareil hors tension et dégager la pression.
7. Ne pas laisser l'appareil sous tension ou sous pression sans supervision. Lorsque l'appareil n'est pas utilisé, le mettre hors tension et retirer la pression conformément aux instructions du fabricant.
8. La pression haute pression peut injecter des toxines dans le corps et provoquer de graves blessures. S'il y a injection, consulter immédiatement un médecin.
9. Vérifier les pièces pour tout signe de dommage. Remplacer toutes les pièces endommagées.
10. Ce pistolet pulvérisateur est d'une valeur nominale de 3 000 lb/po_ (205 bar). Ne pas utiliser de systèmes conçus pour produire plus de 3 000 lb/po_ (205 bar).
11. Toujours engager le verrou de la gâchette lorsqu'on ne pulvérise pas. Vérifier que le verrou fonctionne correctement.

Généralités Sur La Sécurité (Suite)

- Pour verrouiller (engager) : tourner les languettes de verrouillage en position horizontale.
- Pour déverrouiller (désengager) pour pulvériser : tourner les languettes de verrouillage en position verticale.

NOTE: Si le pistolet pulvérise en position verrouillée, suivre les instructions sous la section d'entretien pour le verrouillage de gâchette.

- Vérifier que toutes les connexions sont bien en place avant de faire fonctionner. Ne pas utiliser de pinces pour resserrer ou desserrer les connexions à haute pression.
- Il faut savoir comment arrêter l'appareil et purger la pression rapidement. Il faut aussi connaître les commandes.

⚠ AVERTISSEMENT



Pour réduire les risques de blessures :

- Ne pas pulvériser d'acides, de matières corrosives, de produits chimiques toxiques, de fertilisants ni de pesticides. Le fait d'utiliser ces produits pourraient causer la mort ou de graves blessures.
- Toujours porter des gants appropriés, une protection pour les yeux et un respirateur ou un masque pendant la peinture.
- Toujours travailler dans un environnement propre. Ne pas pointer le pulvérisateur vers toute poussière ou débris.
- Ne pas faire fonctionner près d'enfants. Garder les enfants, les animaux domestiques et les visiteurs loin de l'équipement et du secteur de travail en tout temps.
- Ne pas se pencher ou se tenir debout sur un support instable. Garder les pieds bien au sol et un bon équilibre en tout temps.
- Il faut être vigilant et savoir ce qu'on fait.
- Ne pas faire fonctionner l'équipement fatigué ou sous l'influence de drogues ou d'alcool.

NE PAS SUIVRE CES INSTRUCTIONS PEUT RÉSULTER EN BLESSURES GRAVES, Y COMPRIS LA MORT.

Préparation

Les systèmes de peinture sans air exigent un entretien additionnel par rapport à la plupart d'outils pour assurer le bon fonctionnement.

CONSULTER LE MANUEL D'UTILISATION DU PULVÉRISATEUR DE PEINTURE SANS AIR POUR LES INSTRUCTIONS D'OPÉRATION.

Instructions de Pulvérisation

Vous pouvez obtenir un résultat Professionnel en suivant les conseils ci-dessous.

- Garder le pistolet perpendiculaire à la surface.
Toujours tenir le pistolet perpendiculaire à la surface avec la buse approximativement 30,48 cm (12 po) de la surface. Si vous tenez le pistolet à un angle (du haut en bas ou d'un côté à l'autre), la peinture s'accumulera de manière inégale, laissera des taches et causera la surpulvérisation excessive (Voir Figure 1).

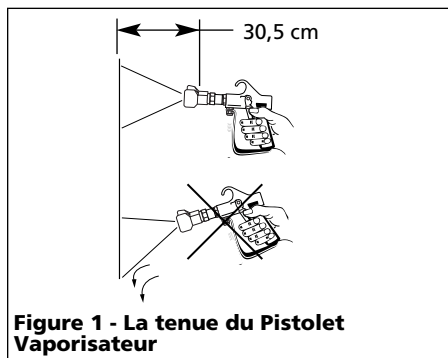


Figure 1 - La tenue du Pistolet Vaporisateur

- Diriger le pistolet avec un coup de bras régulier
Diriger le pistolet à une allure modérée et égale avec le pistolet perpendiculaire à la surface (Voir Figures 1 & 2). Ne pas vanner le pistolet car ceci causera la surpulvérisation excessive et l'application inégale (Voir Figure 2).

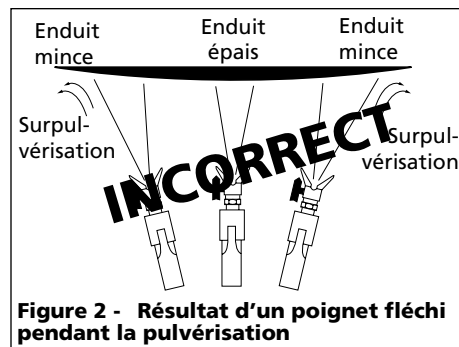


Figure 2 - Résultat d'un poignet fléchi pendant la pulvérisation

- Commencer le déplacement du pistolet avant de tirer sur la gâchette
Pour un recouvrement lisse sans

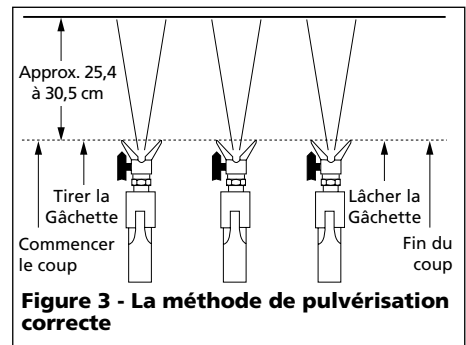


Figure 3 - La méthode de pulvérisation correcte

accumulation de peinture, commencer le coup avant de tirer sur la gâchette. Lâcher la gâchette avant d'arrêter à la fin du parcours (Voir Figure 3).

REMARQUE: Pour assurer un recouvrement de peinture uniforme, chevaucher chaque coup par 20% - 30% et enduire deux fois avec une configuration de croix (une horizontale, la deuxième verticale).

COMMENT CHANGER LES BUSES DE PULVÉRISATION :

Il faudra peut-être changer les buses durant un travail de peinture. Suivre ces étapes pour des changements sans danger et faciles de la buse.

- Dépressuriser et mettre l'appareil hors tension selon les instructions du fabricant.
- Engager le verrou de la gâchette du pistolet.
- Tirer la garniture de la buse rouge de la base de pulvérisation et remplacer avec une buse différente l'insérant complètement dans la base.



COMMENT FIXER LE ROULEAU

ACCESSOIRE :

- Dépressuriser et mettre l'appareil hors tension selon les instructions du fabricant.
- Engager le verrou de la gâchette du pistolet.
- Retirer la buse de pulvérisation, la buse, le joint et la rondelle.
- Fixer le rouleau (AL2275 illustré) au pulvérisateur sans air. Au besoin, utiliser un adaptateur fileté et une rondelle entre le rouleau et le pistolet de pulvérisation tel qu'illustré.



USAGE INTERMITTENT

Si vous arrêtez de pulvériser pendant plusieurs minutes, verrouiller la gâchette du pistolet et immerger la buse dans une

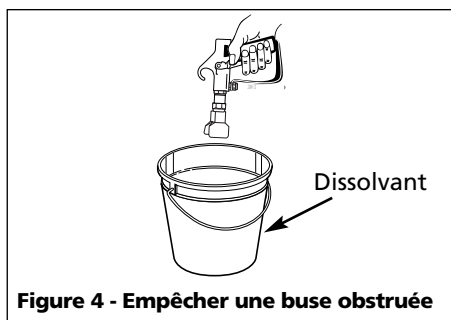


Figure 4 - Empêcher une buse obstruée

Instructions de Pulvérisation (Suite)

boîte de dissolvant convenable (Voir Figure 4). Ceci empêchera que la peinture durcisse dans l'ouverture et bouche la buse. **S'assurer de dissiper la pression en tournant le bouton de dérivation à la position d'amorçage et en mettant la pompe hors circuit.**

DÉBLOCAGE

BUSE RÉVERSIBLE: (Comprise)

1. Tourner la buse à la position de nettoyage (Voir Figure 5).
2. Diriger le pistolet dans une direction sûre et pulvériser. Ceci devrait débloquer la buse.
3. Tourner la buse à la position de pulvérisation et continuer la pulvérisation (Voir Fig. 5).

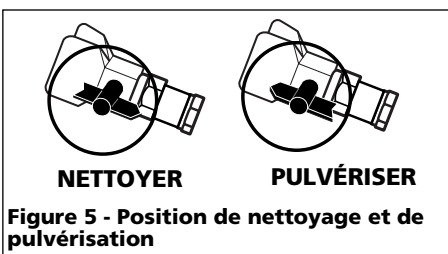


Figure 5 - Position de nettoyage et de pulvérisation

4. Si le blocage continue, remplacer le filtre du pistolet et considérer filtrer la peinture avant de l'utiliser.

AVIS

N'utilisez pas une aiguille ni un objet pointu pour le nettoyage de la buse. Ceci peut endommager l'équipement. Les buses en carbure de tungstène sont fragiles et peuvent s'ébrécher.

BUSE FIXE:

1. Dépressuriser et mettre l'appareil hors tension selon les instructions du fabricant
2. Verrouiller la gâchette du pistolet.
3. Enlever la buse et le protecteur de buse du pistolet.
4. Faire tremper la buse dans l'eau ou

dans un dissolvant convenable et la brosser avec une brosse à dents afin d'enlever la peinture ou impuretés du bout de la buse.

BUSE RÉGLABLE:

1. Tourner le bouton de réglage complètement dans le sens contraire des aiguilles d'une montre afin d'ouvrir la buse à sa configuration la plus large.
2. Tirer la gâchette et pulvériser dans un seau ou dans un récipient pour débloquer la buse.
3. Si le blocage continue, remplacer le filtre du pistolet et considérer filtrer la peinture avant de l'utiliser.

NETTOYER LE PISTOLET : Suivre les instructions de nettoyage, d'utilisation et d'entretien incluses avec votre pulvérisateur. Après avoir vidangé la pompe et avant de terminer :

1. Tourner la buse en position de nettoyage.
2. Dégager le verrou de la gâchette.
3. Pointer le pistolet de pulvérisation vers un seau vide et tirer la gâchette. Pulvériser au moins 1 gallon de liquide dans un seau. Pour réduire les éclaboussures, diriger le jet le long du seau et bien au-dessus du liquide.

CONSULTER LES PROCÉDURES D'ARRÊT DU PULVÉRISATEUR

4. Dépressuriser et mettre l'appareil hors tension selon les instructions du fabricant.
5. Pointer le pistolet dans une direction sans danger, tirer la gâchette avec son verrou désengagé pour s'assurer que le système est dépressurisé.
6. Engager le verrou de la gâchette
7. À ce moment, la pompe et le pistolet de pulvérisation sont propres, mais doivent être préparés pour leur entreposage. L'embout protecteur ou tout accessoire utilisé doit être nettoyé.

NETTOYAGE DU PROTECTEUR DE BUSE:

1. Enlever la buse avec une clé de 25,40 mm (1 po) ou une clé à ouverture variable.
2. Nettoyer le protecteur de buse avec une brosse.

Entretien

AVIS

Manque de suivre ces instructions peut causer du dommage à la pompe.

AVERTISSEMENT Avant tout entretien s'assurer de dégager la pression du système et couper le courant au pulvérisateur.

- Ne pas utiliser de dissolvants à base d'huile pour le nettoyage d'équipement après l'usage d'enduits latex. Utilisez l'eau tiède savonneuse seulement.
- Toujours remplacer les filtres de pistolet obstrués, ne pas essayer de les nettoyer.
- Suivre attentivement les instructions de nettoyage et d'entreposage.
- N'utilisez pas d'objets en métal ou durs pour l'enlèvement de matériel dans l'orifice de buse de pulvérisation.

VERROU DE LA GÂCHETTE

AVERTISSEMENT

En tirant la gâchette cela ne doit pas ouvrir la soupape du pistolet lorsque le verrou est activé



On devrait pouvoir faire bouger un peu l'atomisateur avec le doigt tout en tenant la gâchette contre le verrou en position fermée. Si l'on ne peut pas, il faut ajuster la position de la gâchette selon ce qui suit :

1. Placer la gâchette en position verrouillée (languettes horizontales).
2. D'une main, tenir la gâchette un peu contre le verrou et utiliser un tourne-écrou de 1/4 po pour tourner l'écrou jusqu'à ce que la gâchette commence à sortir du verrou.
3. Inverser l'écrou d'un demi-tour (dans le sens contraire des aiguilles d'une montre).

JOINT DE BUSE ET RONDELLE

À l'occasion, l'on doit remplacer le joint d'argent et la rondelle noire à l'intérieur de la base de la buse.

1. Pour remplacer le joint et la rondelle, desserrer d'abord la base de la buse avec une clé à ouverture réglable, puis retirer à la main.
2. Retirer la buse de pulvérisation.
3. Avec un tournevis Phillips, pousser le joint et la rondelle pour les sortir de la base de la buse.
4. Avec le côté plat du joint vers le haut, placer le joint sur la base. S'assurer que le tout s'aligne avec la base.
5. Placer la rondelle sur la base.

Entretien (Suite)

- S'assurer que le tout s'aligne avec la base.
- Remettre la buse de pulvérisation dans la base de la buse.
 - Rattacher la base à la soupape du pistolet.

▲AVERTISSEMENT

S'assurer que la buse de pulvérisation et la base s'installe bien en place. Un raccord desserré peut mener à une mauvaise décharge et à un danger d'injection dans la peau.



Garantie Limitée

- DURÉE:** À partir de la date d'achat par l'acheteur original comme suit - Systèmes pour Application de Peinture Service Standard (Standard Duty) et tous les Accessoires pour Application de Peinture - 1 An, Systèmes pour Application de Peinture Service Sérieux (Serious Duty) - 3 Ans, Systèmes pour Application de Peinture Service Extrême (Extreme Duty) - 5 Ans.
- GARANTIE ACCORDÉE PAR (GARANT):** Campbell Hausfeld/Scott Fetzer Company, 100 Production Drive, Harrison, Ohio, 45030, Téléphone: (800) 543-6400
- BÉNÉFICIAIRE DE CETTE GARANTIE (ACHETEUR):** L'acheteur original (sauf en cas de revente ou de location) du produit Campbell Hausfeld.
- PRODUITS COUVERTS PAR CETTE GARANTIE:** Tous les systèmes pour application de peinture qui ne sont pas actionnés par un compresseur d'air, systèmes HVLP (haut volume, basse pression), et accessoires pour application de peinture qui sont fournis par ou fabriqués par le Garant.
- COUVERTURE DE LA PRÉSENTE GARANTIE:** Défauts de matière et de fabrication qui se révèlent pendant la période de validité de la garantie. Le garant couvre aussi les articles d'usure normal contre les défauts de matière et de fabrication pendant trente jours à partir de la date d'achat. Les articles d'usure normal sont: les filtres HVLP, les balais de moteur, les garnitures de pistolets, le joint de la boîte du pistolet, le clapet du pistolet, et la bague de circulation d'air du pistolet; soupape d'arrivée sans air, soupape de sortie, soupape de pistolet, filtres, buses tous les joints et joints toriques.
- LA PRÉSENTE GARANTIE NE COUVRE PAS:**
 - Les garanties implicites, y compris celles de commercialisabilité et D'ADAPTION À UNE FONCTION PARTICULIÈRE SONT LIMITÉES À PARTIR DE LA DATE D'ACHAT INITIALE TELLE QU'INDIQUÉE DANS LA SECTION DURÉE. Si le produit Service Standard est utilisé pour une fonction commerciale ou industrielle, la durée de la garantie sera quatre-vingt-dix (90) jours à compter de la date d'achat. Si le produit est utilisé pour la location, la durée de la garantie sera quatre-vingt-dix jours (90) à compter de la date d'achat. Quelques Provinces (États) n'autorisent pas de limitations de durée pour les garanties implicites. Les limitations précédentes peuvent donc ne pas s'appliquer.
 - TOUT DOMMAGE, PERTE OU DÉPENSE FORTUIT OU INDIRECT POUVANT RÉSULTER DE TOUT DÉFAUT, PANNE OU MAUVAIS FONCTIONNEMENT DU PRODUIT CAMPBELL HAUSFELD.** Quelques Provinces (États) n'autorisent pas l'exclusion ni la limitation des dommages fortuits ou indirects. La limitation ou exclusion précédente peut donc ne pas s'appliquer.
 - Toute panne résultant d'un accident, d'une utilisation abusive, de la négligence ou d'une utilisation ne respectant pas les instructions données dans le(s) manuel(s) accompagnant le produit. Un accident, l'utilisation abusive par l'acheteur, la négligence ou le manque de faire fonctionner les produits selon les instructions comprend aussi l'enlèvement ou la modification de n'importe quel appareil de sûreté. Si ces appareils de sûreté sont enlevés ou modifiés, la garantie sera annulée.
 - Réglages normaux qui sont expliqués dans le(s) manuel(s) d'utilisation accompagnant le produit.
 - Articles ou services qui sont exigés pour l'entretien du produit; filtres HVLP, balais de moteur, joint de boîte de pistolet, clapet de pistolet et bague de circulation d'air du pistolet; Soupape d'arrivée sans air, soupape de sortie, soupape de pistolet, filtres, buses, tous les joints et les joints toriques, ou n'importe quelle pièce qui n'est pas indispensable et n'est pas spécifiée seront couverts pendant seulement trente (30) jours à partir de la date d'achat original.
- RESPONSABILITÉS DU GARANT AUX TERMES DE CETTE GARANTIE:** Réparation ou remplacement, au choix du Garant, des produits ou pièces qui se sont révélés défectueux, qui se sont tombés en panne et/ou qui n'a pas conformé pendant la durée de validité de la garantie.
- RESPONSABILITÉS DE L'ACHETEUR AUX TERMES DE CETTE GARANTIE:**
 - Fournir une preuve d'achat datée et un état d'entretien.
 - Livraison ou expédition du produit ou de la pièce Campbell Hausfeld au Centre De Service Autorisé Campbell Hausfeld. Taux de frais, si applicables, sont la responsabilité de l'acheteur.
 - Utilisation et entretien du produit avec un soin raisonnable, ainsi que le décri(vent)t le(s) manuel(s) d'utilisation.
- RÉPARATION OU REMPLACEMENT EFFECTUÉ PAR LE GARANT AUX TERMES DE LA PRÉSENTE GARANTIE:** La réparation ou le remplacement sera prévu et exécuté en fonction de la charge de travail dans le centre de service et dépendra de la disponibilité des pièces de rechange.

Cette Garantie Limitée s'applique aux É.-U., au Canada et au Mexique seulement et vous donne des droits juridiques précis. L'acheteur peut également jouir d'autres droits qui varient d'une Province, d'un État ou d'un Pays à l'autre.

Ver la Garantía en página 15 para información importante sobre el uso comercial de este producto.

Manual de Instrucciones y Lista de Repuestos

Sírvase leer y guardar estas instrucciones. Lea con cuidado antes de tratar de armar, instalar, manejar o darle servicio al producto descrito en este manual. Protéjase Ud. y a los demás observando todas las reglas de seguridad. El no seguir las instrucciones podría resultar en heridas y/o daños a su propiedad. Guarde este manual como referencia.



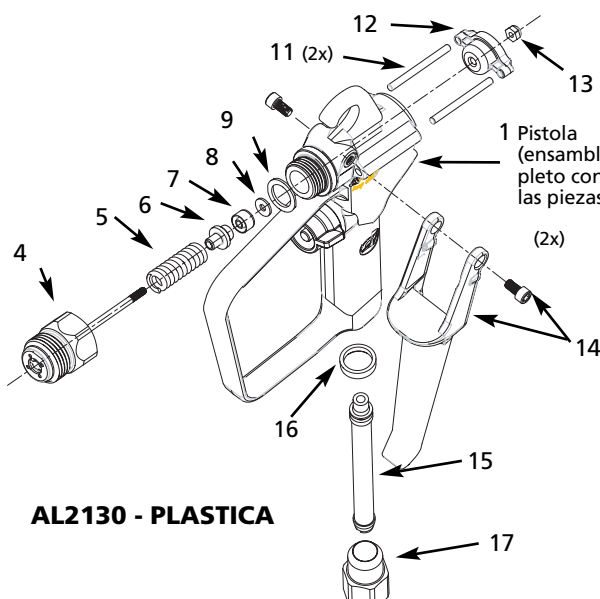
Pistolas Para Rociadoras de Pintura Sin Aire

Para Ordenar Repuestos y Accesorios, Comuníquese con el Distribuidor de Productos Campbell Hausfeld más cercano a su domicilio

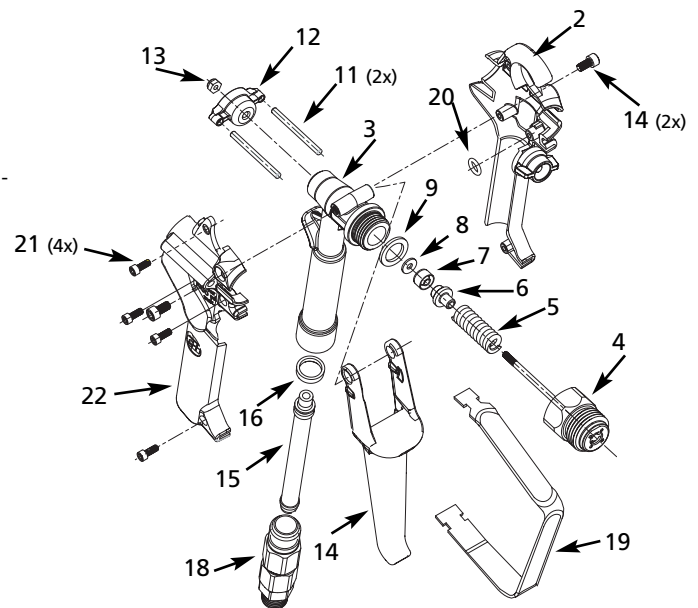
Sírvase suministrar la siguiente información:

- Número del modelo
- Número de Serie (de haberlo)
- Descripción y número del repuesto según la lista de repuestos

Puede escribirnos a:
The Campbell Group
Attn: Parts Department
100 Production Drive
Harrison, OH 45030
U.S.A.



AL2130 - PLASTICA



AL2140 - METALICA

Lista de Repuestos

No. de Ref.	Descripción	Número del Repuesto	Ctd.
1	Pistola (ensamblaje completo con todas las piezas)	AL183000SV	1
2	Juego, Mango izq., seguro y protección de pistola prof.	AL184400SV	1
3	Inserción, Pistola	AL179801AV	1
4	Juego, vástago y difusor (incluye #7)	AL183400SV	1
5	Resorte, Pistola	AL048600AV	1
6	Retén, Resorte de la pistola	AL020201AV	1
7	Sello, Pistola	AL020300AV	1
8	Arandela, Sello	AL153801AV	1
9	Arandela, Retén asiento de la pistola	AL005404AV	1
10	Juego, Sello de la pistola (Incluye #7, #8, #9)	AL183600SV	1
11	Pasador, Actuador de la pistola	AL024102AV	2
12	Actuador, Pistola	AL182700AV	1
13	Tuerca, #5-40 seguro hexagonal	ST073804AV	1
14	Juego, gatillo de la pistola (gatillo y tornillos)	AL183100SV	1

No. de Ref.	Descripción	Número del Repuesto	Ctd.
15	Filtros de la pistola, Malla 100 (amarilla)	AL086101AJ	2 pk
	Malla 50 (blanca)	AL086100AJ	2 pk
16	Arandela, filtro largo	MJ105402AV	1
17	Adaptador, filtro largo	AL072301AV	1
18	Ensamblaje, conector giratorio de la pistola prof. (opcional)	AL1835	1
19	Protección, Gatillo de la pistola prof.	AL184600AV	1
20	Anillo en O	MJ106511AV	1
21	Tornillo, #5-40 x 5/16" SHC	MJ103804AV	4
22	Mango, derecho, pistola prof.	AL184300AV	1

Artículos adicionales disponibles:

Juego, válvula de la pistola (Incluye #4 - #9, #13)	AL183200SV
Juego, Actuador de la pistola (Incluye #11, #12, #13)	AL183700SV
Juego, Inserto de la pistola prof.- (Incluye #3 - #9 y #16)	AL184100SV
Juego, mango completo de la pistola prof. (Incluye #2, #19 - #22)	AL184500SV

RECORDATORIO: ¡Guarde su comprobante de compra con fecha para fines de la garantía! Adjúntela a este manual o archívela en lugar seguro.

Descripción

las rociadoras de pintura sin aire están diseñadas para rociar una gran variedad de pinturas látex, a base de aceite y alquidas, al igual que tinturas, preservativos y otros materiales no abrasivos. Estas rociadoras son potentes y lo suficientemente versátiles para permitirle usar una gran variedad de accesorios (rodillos, mangueras más largas, etc.) que le permiten aumentar su eficacia.

Importantes instrucciones de seguridad

Guarde estas instrucciones.

Este manual contiene información que es muy importante que sepa y comprenda. Esta información se la suministramos como medida de SEGURIDAD y para EVITAR PROBLEMAS CON EL EQUIPO. Debe reconocer los siguientes símbolos.

PELIGRO Esto le indica que hay una situación inmediata, que si no la evita, LE OCASIONARIA la muerte o heridas de gravedad.

ADVERTENCIA Esto le indica que hay una situación posiblemente peligrosa, que si no la evita, PODRIA ocasionarle la muerte o heridas de gravedad.

PRECAUCION Esto le indica que hay una situación posiblemente peligrosa, que si no la evita, PODRIA ocasionarle heridas menores o molestias.

AVISO Esto le indica una información importante, que de no seguirla, le podría ocasionar daños al equipo.

Para desempacar

Al desempacar este producto, revíselo con cuidado para cerciorarse de que esté en perfecto estado. Igualmente, cerciórese de apretar todos los pernos, tuercas, conexiones, etc. antes de usarlo.

ADVERTENCIA No debe utilizar la unidad si se ha dañado durante el envío, manejo o uso. Los daños podrían ocasionar una explosión y ocasionarle heridas o daños a su propiedad.

Informaciones Generales de Seguridad

1. Para reducir el riesgo de incendio o explosión, choque eléctrico, y lesiones a las personas, lea y comprenda todas las instrucciones que se incluyen con este producto. Familiarícese con los controles y el



uso adecuado del equipo.

2. Este producto debe estar conectado a tierra. Siga todas las instrucciones de conexión a tierra que se incluyen con su pistola rociadora (bomba).

ADVERTENCIA

Para reducir el riesgo de incendio o explosión:



1. No rocíe materiales inflamables ni combustibles cerca de llamas o fuentes de ignición como por ejemplo cigarrillos, motores y equipo eléctrico.
2. La pintura o el solvente que fluye a través del equipo es capaz de crear electricidad estática. La electricidad estática crea un riesgo de incendio o explosión ante la presencia de vapores de pintura o solvente. Todas las piezas del sistema de rociado, incluyendo la bomba, el ensamblaje de la manguera, la pistola rociadora, y los objetos dentro y alrededor del área de rociado deben estar conectados a tierra adecuadamente para protegerlos contra descargas y chispas de estática. Use sólo mangueras de rociado de pintura sin aire de alta presión que sean conductoras o que estén conectadas a tierra según las especificaciones del fabricante.
3. Verifique que todos los recipientes y sistemas de recolección estén conectados a tierra para evitar descargas de electricidad estática.
4. Conecte su rociadora a un tomacorriente con conexión a tierra y utilice cordones de extensión. No utilice un adaptador de tres clavijas para dos.
5. No use pinturas ni solventes que contengan hidrocarburos halogenados como por ejemplo bromuro de metilo, tetracloruro de carbono y yoduro de etilo.
6. Mantenga el área de rociado bien ventilada. Mantenga un buen suministro de corriente de aire fresco en el área de rociado.
7. No fume ni coma en el área de rociado.
8. No haga funcionar llaves de luz, motores o productos similares que produzcan chispas en el área de rociado.
9. Mantenga el área limpia y libre de recipientes de pintura o solvente, trapos y otros materiales inflamables.
10. Conozca los componentes de las pinturas y solventes que utiliza para rociar. Lea las hojas de información de seguridad sobre el material (MSDS por su sigla en inglés) y las etiquetas

de los recipientes que se proporcionan con las pinturas y los solventes. Siga las instrucciones de seguridad del fabricante de la pintura y del solvente.

11. No utilice materiales con puntos de inflamabilidad menores a 20°C (70°F) en el equipo ni para limpiar el mismo. (Ejemplos de solventes de limpieza aceptables son: agua, solventes minerales, solventes para laca, xileno y nafta con alto punto de inflamabilidad. Una lista de ejemplo PARCIAL de los solventes de limpieza no aceptables está compuesta por nafta con bajo punto de inflamabilidad, metil etil cetona (MEK), acetona, alcohol, tolueno y combustibles de cualquier tipo.
12. Mantenga en el lugar un equipo extintor que funcione.

ADVERTENCIA

Para reducir el riesgo de inyección en la piel:



1. No apunte la pistola a ninguna persona o animal ni lo rocíe.
2. Mantenga las manos y otras partes del cuerpo alejadas de la descarga. Por ejemplo, no intente detener las pérdidas con ninguna parte de su cuerpo.
3. Utilice siempre el protector de la boquilla. No rocíe si no está colocado el protector de la boquilla.
4. No quite la boquilla mientras limpia la bomba.
5. Utilice solamente la boquilla especificada por el fabricante.
6. Tenga precaución cuando limpie y cambie las boquillas. Antes de quitar la boquilla, siga las instrucciones del fabricante para apagar la unidad y liberar la presión.
7. No deje la unidad con energía o con presión si la misma queda sin atención. Cuando no esté en uso apague la unidad y libere la presión de acuerdo con las instrucciones del fabricante.
8. El rociado de alta presión es capaz de inyectar toxinas dentro del organismo y provocar graves lesiones corporales. En el caso de que ocurra dicha inyección, obtenga atención médica de inmediato.
9. Revise las piezas para detectar señales de daños. Reemplace cualquier pieza que esté dañada.

Informaciones Generales de Seguridad (Cont.)

- Esta pistola rociadora está clasificada para 205 bar (3000 psi). No la utilice en sistemas diseñados para producir más de 205 bar (3000 psi).
- Siempre trabaje el seguro del gatillo cuando no esté pulverizando.
 - Verifique que el seguro del gatillo esté funcionando adecuadamente.
 - Para trabar: gire las lengüetas de la traba a la posición horizontal.
 - Para destrabar y rociar: gire las lengüetas de la traba a la posición vertical.

NOTA: si la pistola rocía mientras está en la posición de trabado siga las instrucciones que se detallan en la sección de Mantenimiento sobre la traba del gatillo.

- Verifique que todas las conexiones estén ajustadas antes de poner en funcionamiento. No use pinzas para apretar o aflojar las conexiones de alta presión.
- Aprenda cómo detener su unidad y liberar la presión rápidamente. Familiarícese bien con los controles.

⚠️ ADVERTENCIA



Para reducir el riesgo de lesión:

- No rocíe ácidos, materiales corrosivos, productos químicos tóxicos, fertilizantes o pesticidas. El uso de estos materiales podría dar como resultado la muerte o lesiones graves.
- Cuando pinte, use siempre guantes apropiados, protección para los ojos y un respirador o máscara.
- Siempre trabaje en un ambiente limpio. No apunte la pistola rociadora a ningún punto con polvo o desechos.
- No la haga funcionar ni rocíe próximo a niños. Mantenga a los niños, las mascotas y los visitantes alejados del equipo y del área de trabajo en todo momento.
- No se estire ni se pare en sobre un apoyo inestable. Mantenga un soporte y equilibrio eficaz en todo momento.
- Manténgase alerta y mire lo que está haciendo.
- No haga funcionar el equipo cuando esté fatigado o bajo la influencia de drogas o alcohol.

SI NO SIGUE ESTAS INSTRUCCIONES PODRIA OCASIONARLE HERIDAS GRAVES E INCLUSIVE LA MUERTE.

Preparación

Los sistemas e rociadoras de pintura sin aire, a diferencia de la mayoría de otras herramientas neumáticas o eléctricas, requieren cuidado adicional para garantizar su funcionamiento adecuado.

VEA LAS INSTRUCCIONES DE FUNCIONAMIENTO EN EL MANUAL DE SU ROCIADORA SIN AIRE.

Instrucciones para rociar

Los siguientes pasos le permitirán obtener acabados profesionales de primera calidad.

- Mantenga la pistola perpendicular a la superficie.

Siempre sostenga la pistola perpendicular a la superficie con la boquilla a una distancia de 30,48cm. Si la sostiene en un ángulo (hacia arriba, hacia abajo o de lado) la pintura se acumulará en forma dispareja, el acabado lucirá mal y tendrá desperdicio excesivo de pintura (Vea la Figura 1).

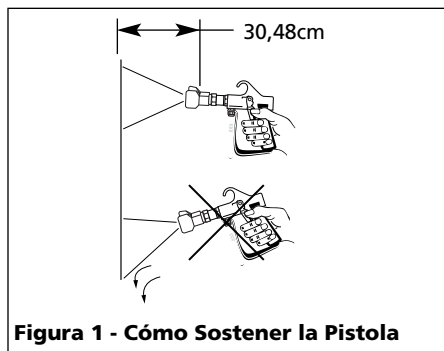


Figura 1 - Cómo Sostener la Pistola

- Desplazamiento parejo

Desplace la pistola en forma pareja y siempre mantenga la pistola perpendicular a la superficie (Vea las Figuras 1 & 2). Si mueve la muñeca ocasionará desperdicio excesivo de material y un acabado disparejo (Vea la Figura 2).
- Comience el desplazamiento antes de oprimir el gatillo

Comenzar el desplazamiento antes de oprimir el gatillo, le permite lograr un mejor acabado, sin rastros de empates, y evita la acumulación inicial de la pintura. Igualmente, es recomendable soltar el gatillo antes de parar el desplazamiento (Vea la Figura 3).

NOTA: Para garantizar un acabado parejo es recomendable que recubra 20% -

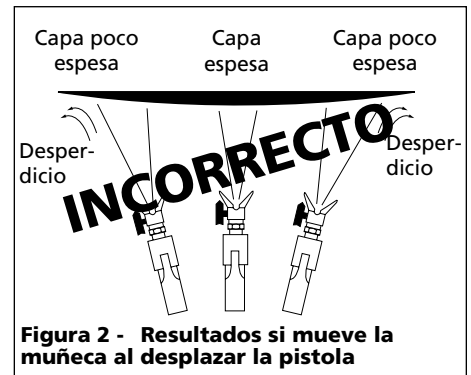


Figura 2 - Resultados si mueve la muñeca al desplazar la pistola

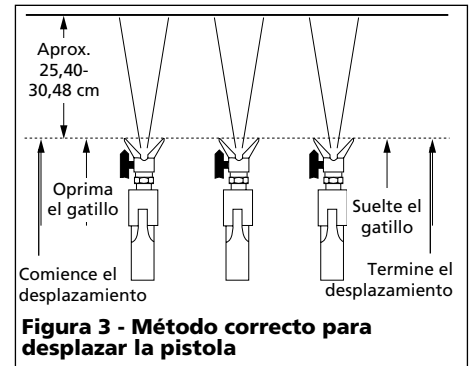


Figura 3 - Método correcto para desplazar la pistola

30% del área cubierta en cada desplazamiento utilizando patrones cruzados (uno horizontal y el otro vertical).

CÓMO CAMBIAR LAS PUNTAS DE ROCIADO:

Es posible que sea necesario cambiar las puntas de rociado durante un trabajo de pintura. Siga estos pasos para cambios seguros y rápidos de las puntas.

- Despresurice y apague la unidad de acuerdo a las instrucciones del fabricante.
- Trabe el seguro del gatillo de la pistola.
- Tire de la punta roja para quitarla de la base de rociado y cámbiela por una punta diferente, insertando totalmente la nueva punta en la base.

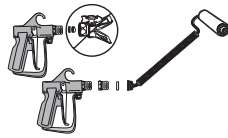


CÓMO CONECTAR EL ACCESORIO DE RODILLO:

- Despresurice y apague la unidad de acuerdo a las instrucciones del fabricante.
- Trabe el seguro del gatillo de la pistola.
- Quite la base de rociado, la punta, el sello y la arandela.

Instrucciones para rociar (Cont.)

4. Conecte el accesorio de rodillo (AL2275 se muestra) en la pistola rociadora sin aire.



Si es necesario, use un adaptador de rosca y una arandela entre el rodillo y la pistola rociadora como se muestra en la figura.

USO INTERMITENTE

Si está pintando y decide descansar por varios minutos, póngale el seguro al gatillo y sumerja la boquilla en un envase con un solvente adecuado (Vea la Figura 4). Ésto evitará que la pintura se seque y obstruya la boquilla.

Cerciórese de liberar la presión girando la perilla de desvío hacia la posición "Prime" y apagando la bomba.

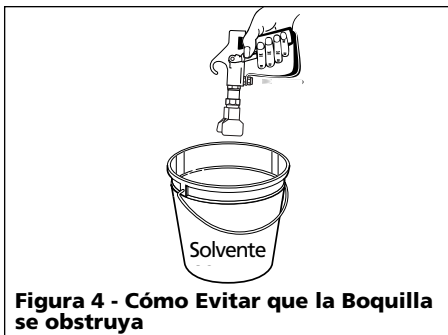


Figura 4 - Cómo Evitar que la Boquilla se obstruya

SI LA BOQUILLA SE OBSTRUYE:

BOQUILLAS REVERSIBLES: (Incluidas)

1. Gire la boquilla a la posición de limpieza (Vea la Figura 5).
2. Apunte la pistola hacia una posición segura y comience a rociar. Ésto eliminará cualquier obstrucción.
3. Coloque la boquilla en la posición para rociar y continúe rociando (Vea la Figura 5).



Figura 5 - Posiciones para Limpiar y Rociar

4. Si continúa la obstrucción, cambie el filtro de la pistola y vea la posibilidad de colar la pintura antes de usarla.

AVISO

El equipo se puede dañar si utiliza una aguja o cualquier

tipo de objeto afilado para limpiar la boquilla. El Carburo de Tungsteno es muy frágil y podría romperse.

BOQUILLAS FIJAS:

1. Despresurice y apague la unidad de acuerdo a las instrucciones del fabricante.
2. Póngale el seguro al gatillo.
3. Desconecte la boquilla y la tapa protectora de la pistola.
4. Sumerja la boquilla en agua o un solvente adecuado y utilice un cepillo de dientes para eliminar todos los residuos de pintura o impurezas que pudiesen atascar el orificio de salida.

BOQUILLAS AJUSTABLES:

1. Gire la perilla completamente en sentido contrario a las agujas del reloj para abrir la boquilla al máximo.
2. Oprima el gatillo y rocíe dentro de un cubo o envase. Ésto eliminará cualquier residuo que pudiese estar obstruyendo el orificio de salida de la boquilla.
3. Si continúa la obstrucción, cambie el filtro de la pistola y vea la posibilidad de colar la pintura antes de usarla.

LIMPIEZA DE SU PISTOLA: siga las instrucciones de limpieza, uso y mantenimiento que se incluyen con su rociadora de pintura. Después de enjuagar la bomba y cuando haya finalizado:

1. Gire la boquilla de rociado a la posición de limpieza.
2. Suelte el seguro del gatillo.
3. Apunte la pistola pulverizadora dentro de un cubo de desechos vacío y presione el gatillo. Rocíe al menos 1 galón de líquido dentro del cubo de desechos. Para reducir las salpicaduras, dirija el chorro de líquido a lo largo del interior del balde y bastante por encima del nivel de líquido.

CONSULTE LOS PROCEDIMIENTOS DE APAGADO DE LA ROCIADORA DE PINTURA.

4. Despresurice y apague la unidad de acuerdo a las instrucciones del fabricante.
5. Mientras apunta la pistola en una dirección segura, presione el gatillo de ésta con seguro del gatillo sin trabar para asegurarse de que el sistema está despresurizado.
6. Trabe el seguro del gatillo.
7. En este momento la bomba y la pistola rociadora están limpias, pero aún requieren preparación para

guardarlas. El protector de la boquilla rociadora o cualquier accesorio que se haya utilizado aún necesitan ser limpiados.

PARA LIMPIAR LA TAPA DE PROTECCION DE LA BOQUILLA

1. Desconecte la boquilla con una llave de 25,40 mm o una llave inglesa.
2. Limpie la tapa de protección con un cepillo.

Mantenimiento

AVISO

Si no sigue

estas instrucciones la bomba se podría dañar.

- No use solventes a base de aceite para limpiar el equipo después de haber utilizado pinturas a base de látex. Sólo use agua tibia enjabonada.
- Siempre reemplace los filtros obstruidos, no trate de limpiarlos.
- Siga atentamente las instrucciones de limpieza y almacenamiento de su rociadora.
- No use objetos de metal u otros materiales duros para quitarle los residuos de pintura seca al orificio de la boquilla.

ADVERTENCIA

Antes de realizar

cualquier tipo de mantenimiento, asegúrese de liberar la presión del sistema y de desconectar la energía de la rociadora.

SEGURO DEL GATILLO

ADVERTENCIA

Presionar el gatillo no debería abrir la válvula de la pistola cuando está activado el seguro del gatillo.



Usted debería ser capaz de hacer que el actuador se mueva levemente de un lado al otro con su dedo mientras sostiene el gatillo contra el seguro del gatillo cuando éste se encuentra en la posición de trabado. Si no puede hacerlo, ajuste la posición del gatillo siguiendo estas instrucciones:

1. Coloque el gatillo en la posición de trabado (lengüetas en posición horizontal).
2. Mientras sostiene con una mano suavemente el gatillo contra el seguro, use una llave de tuercas de 6,35mm (1/4") para girar la tuerca hasta que el gatillo comience a soltarse del seguro.
3. Vuelva a apretar la tuerca (hacia la

Mantenimiento (Cont.)

izquierda) 1/2 vuelta.

SELLO Y ARANDELA DE LA PUNTA

En ocasiones, usted deberá reemplazar el sello plateado y la arandela negra ubicadas dentro de la base de la punta.

1. Para cambiar el sello y la arandela, afloje primero la base de la punta con una llave ajustable y luego quítela con la mano.
2. Quite la punta de rociado.
3. Usando un destornillador Phillips, empuje el sello y la arandela fuera de la base de la punta.
4. Coloque el sello en la base con el lado plano del mismo hacia arriba. Asegúrese de que quede alineado adecuadamente con la base.
5. Coloque la arandela en la base. Asegúrese de que quede alineada adecuadamente con la base.
6. Vuelva a colocar la punta en la base de la punta.

7. Vuelva a conectar la base de la punta a la válvula de la pistola.

⚠ADVERTENCIA

Asegúrese de que la punta de rociado y la base de la punta queden bien ajustadas en su lugar. Si no quedan bien ajustadas pueden provocar una descarga de rociado en la dirección incorrecta y representar un peligro de inyección en la piel.



Garantía Limitada

1. DURACIÓN: A partir de la fecha de compra por parte del comprador original, es como sigue: Sistemas de aplicación de pintura para servicio normal y todos los accesorios de aplicación de pintura: 1 año. Sistemas de aplicación de pintura para servicio pesado: 3 años. Sistemas de aplicación de pintura para servicio extremo: 5 años.
2. QUIÉN EMITE ESTA GARANTÍA (EL GARANTE): Campbell Hausfeld/Una Empresa Scott Fetzer, 100 Production Drive, Harrison, Ohio, 45030, Teléfono: 1-800-626-4401.
3. QUIÉN RECIBE ESTA GARANTÍA (EL COMPRADOR): El comprador original (que no sea para fines de reventa o alquiler) del producto de Campbell Hausfeld.
4. QUÉ PRODUCTOS ESTÁN AMPARADOS POR ESTA GARANTÍA: Todos los sistemas de aplicación de pintura no accionados por compresor, los sistemas de rociado de HVLP y los accesorios de aplicación de pintura suministrados o fabricados por el garante.
5. QUÉ ES LO QUE CUBRE ESTA GARANTÍA: Defectos de material y mano de obra que ocurran dentro del período de duración de la garantía. El garante también cubrirá artículos de desgaste normal por un período de 30 días a partir de la fecha de compra original, contra defectos de material y mano de obra. Estos artículos de desgaste son: filtros de HVLP, escobillas de motor, empaque de la pistola, sello del depósito de la pistola, válvula de retención de la pistola y el aro de flujo de aire de la pistola; válvula de admisión sin aire, válvula de salida, válvula de pistola, filtros, boquillas, todas las juntas y los anillos en "O".
6. QUÉ ES LO QUE NO CUBRE ESTA GARANTÍA:
 - A. Las garantías implícitas, incluyendo las de comercialización E IDONEIDAD PARA UN PROPÓSITO ESPECÍFICO, TIENEN UN LÍMITE DE UN AÑO A PARTIR DE LA FECHA DE COMPRA ORIGINAL, TAL COMO SE ESTABLECE EN LA "DURACIÓN". Si un producto de servicio normal se utiliza para fines comerciales o industriales, la garantía regirá por noventa (90) días a partir de la fecha de compra original. Si el producto se usa para fines de alquiler, la garantía regirá por noventa (90) días desde la fecha de compra original. Algunos estados no permiten la limitación de la duración de una garantía implícita, de modo que estas restricciones tal vez no rijan para Ud.
 - B. CUALQUIER PÉRDIDA, DAÑO O GASTO EMERGENTE, INDIRECTO O DERIVADO QUE PUEDA RESULTAR DE CUALQUIER DEFECTO, FALLA O DESPERFECTO DEL PRODUCTO DE CAMPBELL HAUSFELD. Algunos estados no permiten la exclusión o limitación de daños emergentes o consecuentes, por lo que la limitación arriba mencionada podría no regir para Ud.
 - C. Cualquier falla resultante de un accidente, mal uso, negligencia u omisión en operar el producto conforme a las instrucciones contenidas en el manual o manuales del propietario, suministrados con el producto. El accidente, mal uso del comprador, negligencia u omisión en operar los productos de acuerdo a las instrucciones incluirán también la remoción o alteración de cualquier dispositivo de seguridad. Si tales dispositivos de seguridad son removidos o alterados, esta garantía no tendrá validez.
 - D. Ajustes normales que se explican en el manual del propietario suministrado con el producto.
 - E. Artículos o servicios normalmente requeridos para mantener el producto: filtros de HVLP, escobillas de motor, empaque de la pistola, sello del depósito de la pistola, válvula de retención de la pistola, y el aro de flujo de aire de la pistola; válvula de admisión sin aire, válvula de salida, válvula de pistola, filtros, boquillas, todas las juntas y los anillos en "O" o cualquier otra pieza consumible no indicada específicamente, serán cubiertos solamente durante 30 días desde la fecha de compra original.
7. RESPONSABILIDADES DEL GARANTE EN VIRTUD DE ESTA GARANTÍA: Reparar o reemplazar, a opción del garante, los productos o componentes que sean defectuosos, hayan funcionado mal o que no estén conformes dentro del período de garantía.
8. RESPONSABILIDADES DEL COMPRADOR EN VIRTUD DE ESTA GARANTÍA:
 - A. Proporcionar prueba de fecha de la compra y registros de mantenimiento.
 - B. Entregar o embarcar el producto de Campbell Hausfeld al Centro de Servicio Autorizado de Campbell Hausfeld más cercano. El costo de fletes, si lo hubiera, será sufragado por el comprador.
 - C. Ejercer cuidado razonable en la operación y mantenimiento del producto descrito en el (los) manual(es) del propietario.
9. CUÁNDO EFECTUARÁ EL GARANTE LA REPARACIÓN O REEMPLAZO AL AMPARO DE ESTA GARANTÍA: La reparación o el reemplazo se programarán de acuerdo al flujo normal de trabajo en el centro de servicio, dependiendo de la disponibilidad de piezas de repuesto.

Esta garantía limitada es válida sólo en los EE.UU., Canadá y México y otorga derechos legales específicos, pudiendo también asistirle otros derechos, los cuales varían de un estado a otro o de un país a otro.

Free Manuals Download Website

<http://myh66.com>

<http://usermanuals.us>

<http://www.somanuals.com>

<http://www.4manuals.cc>

<http://www.manual-lib.com>

<http://www.404manual.com>

<http://www.luxmanual.com>

<http://aubethermostatmanual.com>

Golf course search by state

<http://golfingnear.com>

Email search by domain

<http://emailbydomain.com>

Auto manuals search

<http://auto.somanuals.com>

TV manuals search

<http://tv.somanuals.com>