

2003 Motorcycle Parts Catalog



cannondale[®]



(E440, E440A, E440R, S440, C440, X440) - 09/02

CONTENTS

Legend	2	Front Brake Master Cylinder	14	Seat & Plastic	26
Front Wheel	3	Front Brake Caliper	15	Fenders & Lights	27
Rear Wheel	4	Rear Brake Pedal	16	Battery Plate	28
Rear Wheel List	5	Rear Brake Master Cylinder	17	Electrical	29
Wheel Hubs	6	Rear Brake Caliper	18	Exhaust	30
Front Fork	7	Mainframe	19	Radiator	31
Front Fork List	8	Subframe	20	Airbox	32
Steering Head	9	Frame Rail & Skidplate	21	Fuel Tank	33
Front Brake Guides	10	Footpegs	22	Fuel System	34
Handlebar & Controls	11	Kickstand	23	Decals	35
Handlebar & Controls List	12	Swingarm	24	Vehicle Warnings	36
Odometer	13	Rear Shock	25		

Legend

1	2	3	4	5	6	7	8	9	10	11	
5002260I									ODOMETER INSTRUCTIONS		
ADDITIONAL PARTS TABLE											
5	1	5002254							SWITCH, HEAD LIGHT		
4	1	5002248							SENSOR MAGNET		
3	1	5002257							CABLE, ODOMETER		
2	1	5002260							ODOMETER		
1	1	5002211							ODOMETER MOUNT PLATE		
ITEM NO	QTY REQD	DEALER PART NUMBER	X	S	E	EA	ER	CR	DESCRIPTION		NOTES
			MODEL								
ODOMETER PARTS LIST											

1 - CALL OUT DESIGNATOR: *ASTERICS (*) ARE USED WHEN A SIMILAR PART IS USED ACROSS DIFFERENT MODELS.*

2 - QUANTITY REQUIRED FOR THE COMPLETE ASSEMBLY

3 - CANNONDALE PART NUMBER

4 - '03 X440, MOTOCROSS BIKE

5 - '03 S440, SUPER MOTARD BIKE

6 - '03 E440, ENTRY LEVEL ENDURO

7 - '03 E440A, AUTOMATIC ENDURO (REVLOC CLUTCH)

8 - '03 E440R, HIGH END RACING ENDURO

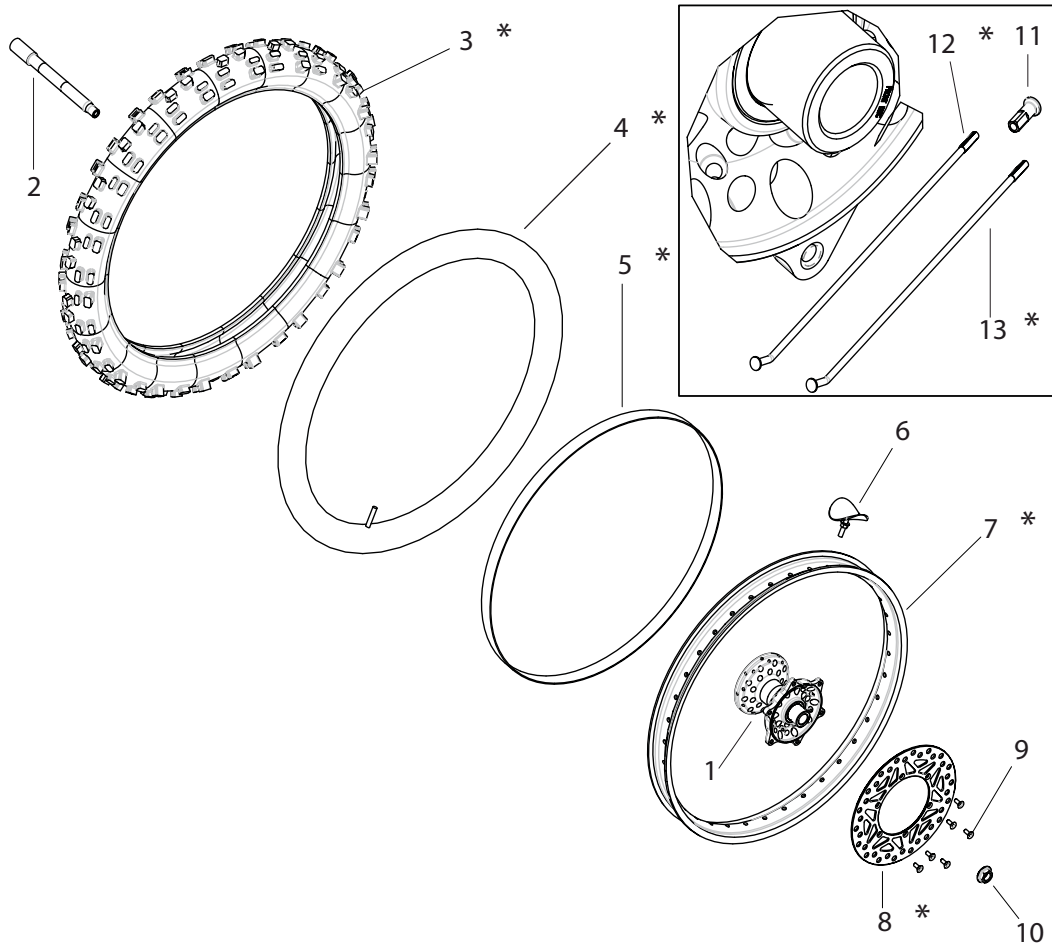
9 - '03 C440R, HIGH END CROSS COUNTRY BIKE

10 - CANNONDALE DESCRIPTION

11 - ADDITIONAL NOTES

12 - CONTAINS AVAILABLE FACTORY BUILT ASSEMBLIES AND ACCESSORY PARTS

NOTE: THE ILLUSTRATIONS CONTAINED IN THIS PARTS CATALOG MAY DIFFER FROM THE DESIRED PART AND SHOULD ONLY BE CONSIDERED AS A VISUAL REPRESENTATION.



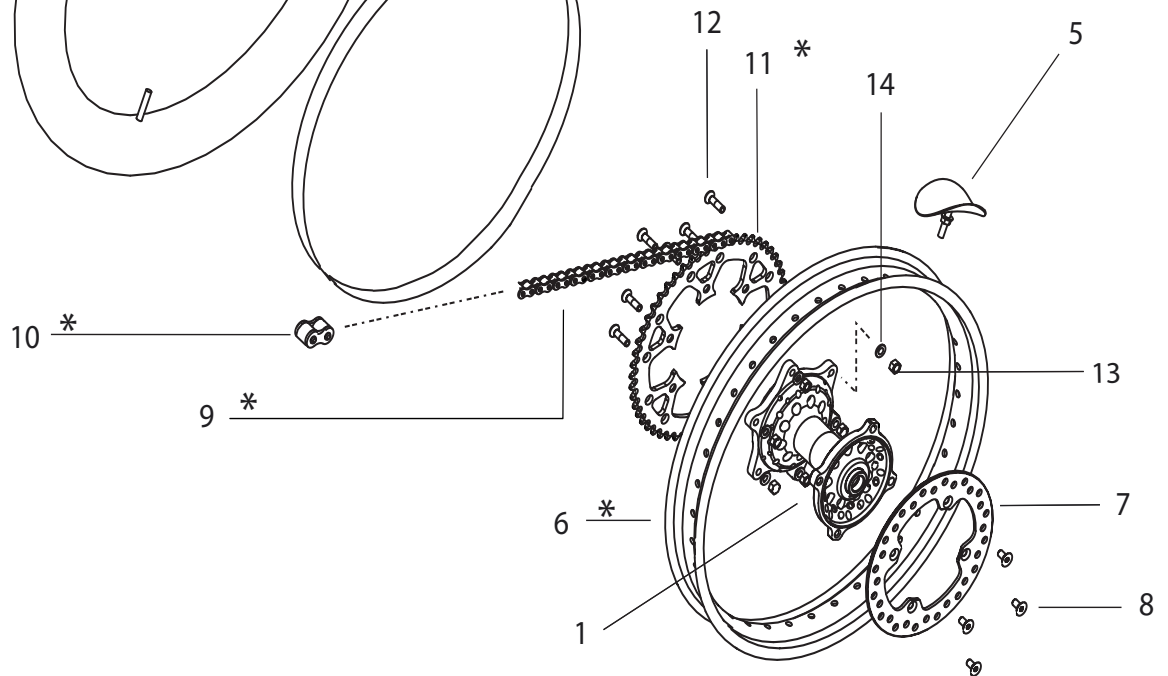
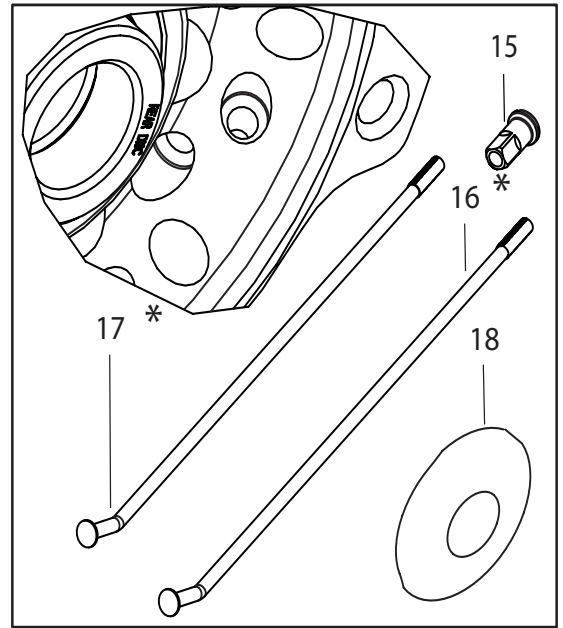
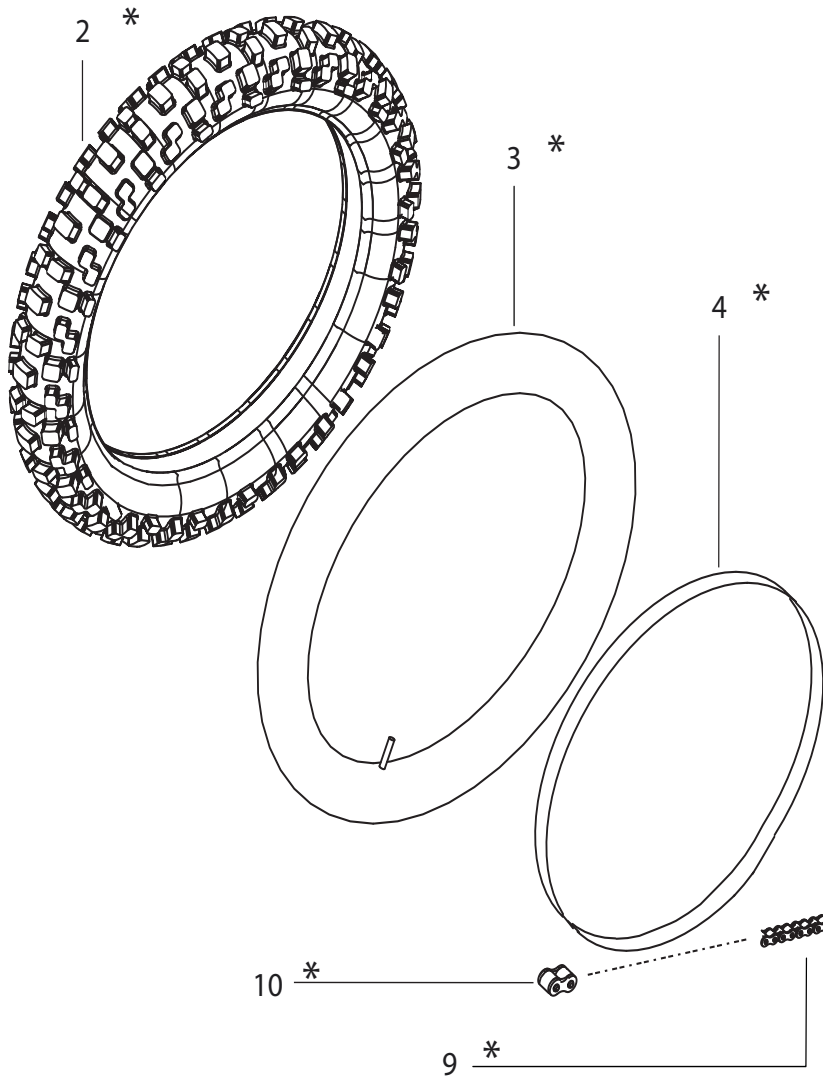
		5002540							WEIGHT, WHEEL BALANCE	Strip of 12, 1/4 oz weights
		051-5002498							FRONT WHEEL ASSEMBLY, MOTARD	
		051-5000020							FRONT WHEEL ASSEMBLY	

ADDITIONAL PARTS TABLE

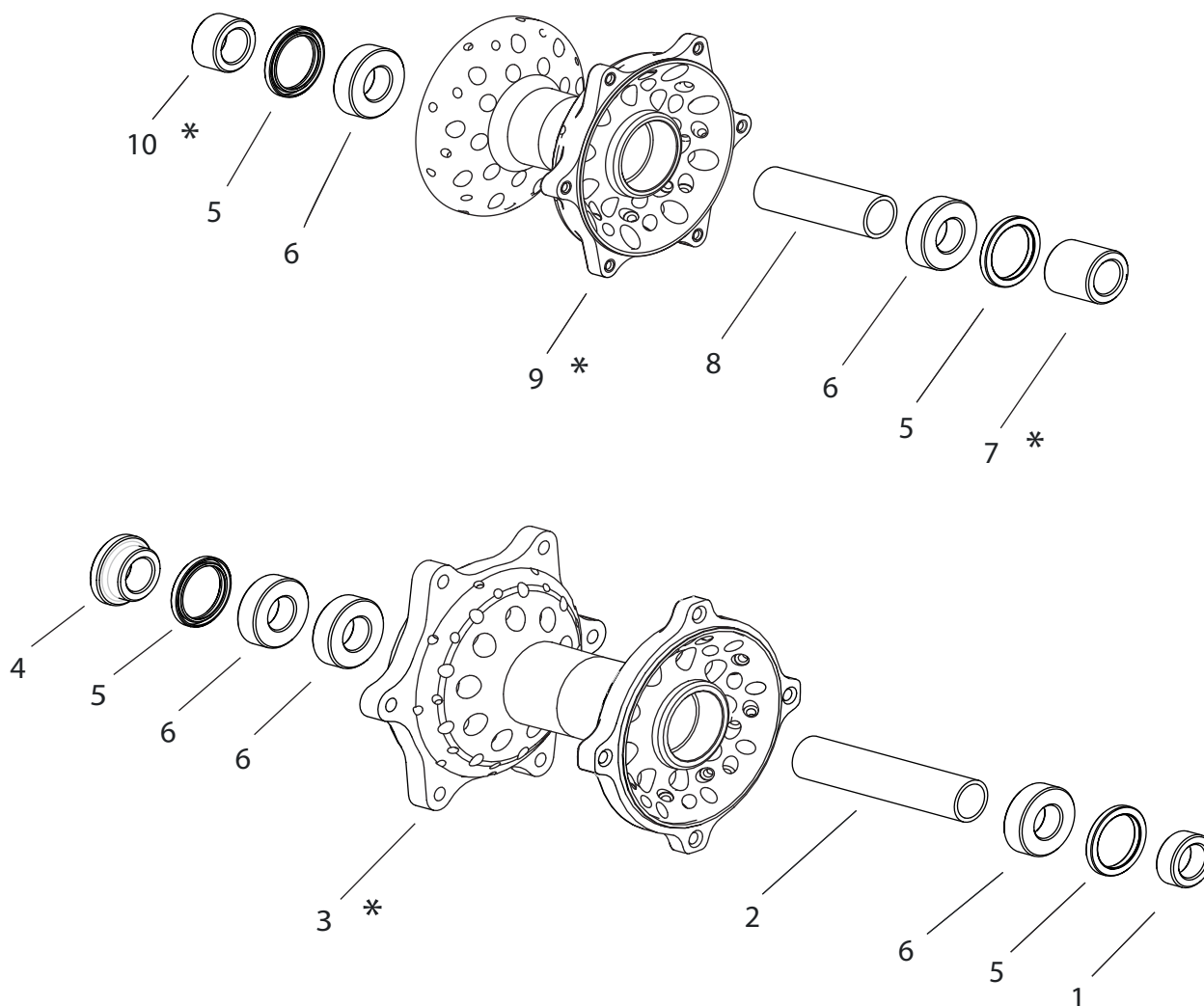
*	18	5002500A		X					SPOKE, FRONT, OUTSIDE, 3.6x172.0mm	INCLUDED IN FR WHEEL ASSYS
13	18	5000026	X		X	X	X	X	SPOKE, FRONT - OUTSIDE	INCLUDED IN FR WHEEL ASSYS
*	18	5002501A		X					SPOKE, FRONT, INSIDE, 3.6x177.0mm	INCLUDED IN FR WHEEL ASSYS
12	18	5000477	X		X	X	X	X	SPOKE, FRONT, - INSIDE	INCLUDED IN FR WHEEL ASSYS
11	36	5001623							NIPPLE, FRONT	INCLUDED IN FR WHEEL ASSYS
10	1	5000540							NUT, FLANGE, M16X1.5	
9	6	5000864							FHCS, M6X16,NYLKZINC	
*	1	5002511		X					ROTOR, FRONT, 320mm	
*	1	5002246			X	X	X	X	FRONT ROTOR	ACCEPTS ODOMETER MAGNET
8	1	5000047	X						FRONT ROTOR	
*	1	5002504		X					RIM, FRONT, 17X3.5", BLK	INCLUDED IN FR WHEEL ASSYS
7	1	5000536	X		X	X	X	X	RIM, FRONT	INCLUDED IN FR WHEEL ASSYS
6	1	5000028							RIM LOCK, FRONT	
*	1	5002510		X					RIM STRIP, 17"	
*	1	5002134			X	X	X	X	RIM STRIP, FRONT	
5	1	5000029	X						RIM STRIP, FRONT	
*	1	5002508		X					TUBE, FRONT, 120/70-17	
*	1	5002135			X	X	X	X	TUBE, FRONT	
4	1	5000030	X						TUBE, FRONT	
*	1	5002506		X					TIRE, FRONT, 120/70-17	
*	1	5002098			X	X	X	X	TIRE, FRONT	
3	1	5000031	X						TIRE, FRONT	
2	1	5000021							AXLE, FRONT WHEEL	
1	1	SEE FRONT HUB							FRONT HUB ASSEMBLY	INCLUDED IN FR WHEEL ASSYS

ITEM NO	QTY REQD	DEALER PART NUMBER	X	MODEL					DESCRIPTION	NOTES
				S	E	EA	ER	C		

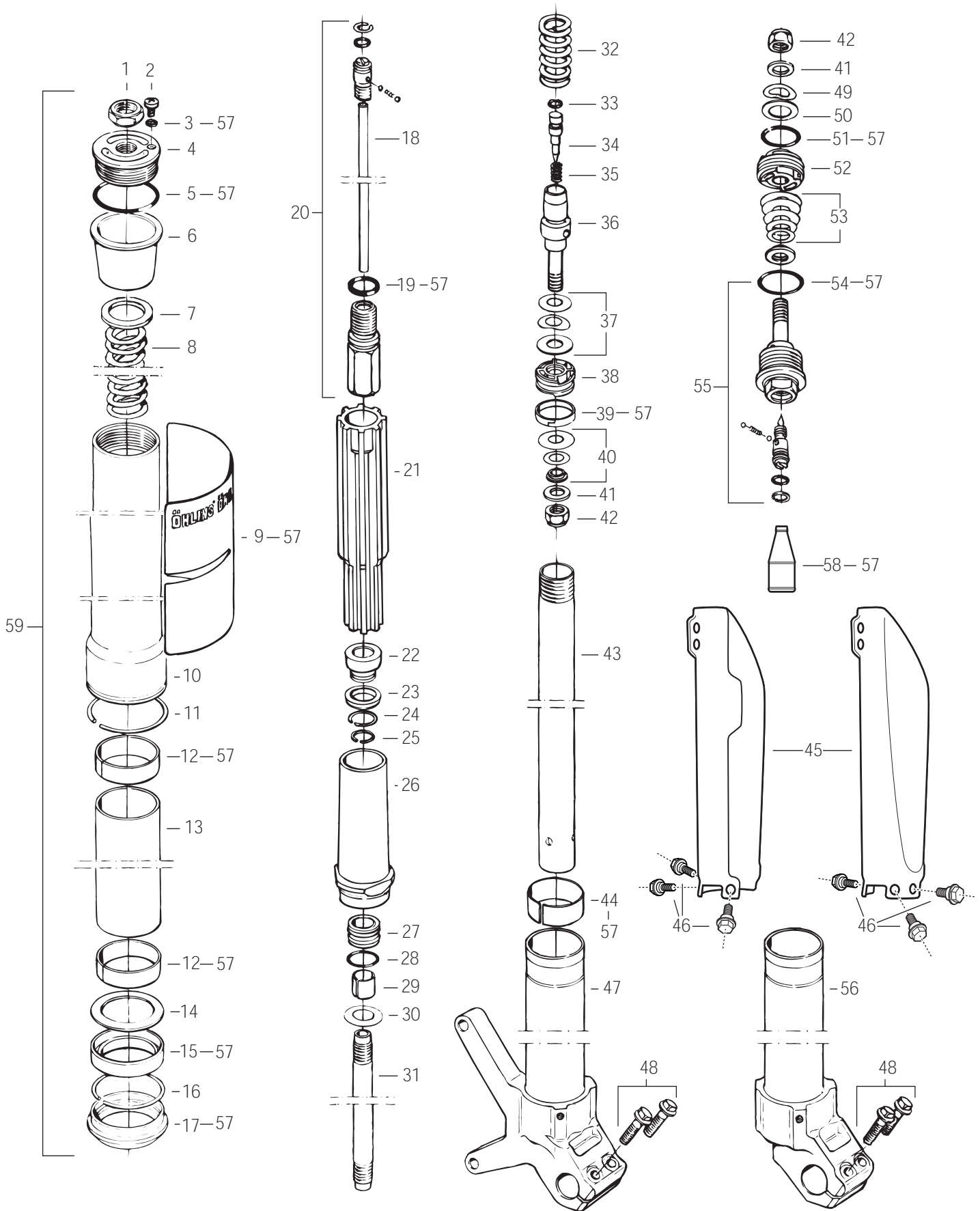
FRONT WHEEL PARTS LIST



		5002540								WEIGHT, WHEEL BALANCE	Strip of 12, 1/4 oz weights
		5000339								SPROCKET, REAR, 49 T	
		5000349								SPROCKET, REAR, 51 T	
		5000357								SPROCKET, REAR, 52 T	
		151-5002499								REAR WHEEL ASSEMBLY, MOTARD	
		151-5002085								REAR WHEEL ASSEMBLY, 18"	
		151-5000069								REAR WHEEL ASSEMBLY, 19"	
ADDITIONAL PARTS TABLE											
18	2	5002199								DUST CAP	
*	18	5002502		X						SPOKE, REAR, OUTSIDE, 4.0X175.0 mm	INCLUDED IN RR WHL ASSYS
*	18	5001873			X	X	X	X		SPOKE, REAR, OUTSIDE, 18" WHEEL	INCLUDED IN RR WHL ASSYS
17	18	5000075	X							SPOKE, REAR, OUTSIDE, 19" WHEEL	INCLUDED IN RR WHL ASSYS
*	18	5002503		X						SPOKE, REAR, INSIDE, 4.0X181.0 mm	INCLUDED IN RR WHL ASSYS
*	18	5002287			X	X	X	X		SPOKE, REAR, INSIDE, 18" WHEEL	INCLUDED IN RR WHL ASSYS
16	18	5000797	X							SPOKE, REAR, INSIDE, 19" WHEEL	INCLUDED IN RR WHL ASSYS
15	36	5001624								NIPPLE, REAR	INCLUDED IN RR WHL ASSYS
14	6	5000713								FLAT WASHER, M8	
13	6	5000140								LOCKNUT, M8	
12	6	5000393								FHCS, M8X28 mm, ZINC	
*	1	5002521		X						SPROCKET, REAR, 45T	
11	1	5000117	X		X	X	X	X		SPROCKET, REAR, 50 T	
*	1	6000315			X	X	X	X		MASTER LINK, O-RING	
10	1	5001847	X	X						MASTER LINK	
*	1	5002522		X						CHAIN, DRIVE, 112 LINKS	
*	1	5001798			X	X	X	X		CHAIN, DRIVE, 114 LINKS, O-RING	
9	1	5001601	X							CHAIN, DRIVE, 114 LINKS	
8	4	5000138								FHCS, M8X16, NYLK, ZINC	
7	1	5000090								ROTOR, REAR	
*	1	5002505		X						RIM, REAR, 17X4.50", BLK	INCLUDED IN RR WHL ASSY
*	1	5001886			X	X	X	X		WHEEL RIM, REAR, 18"	INCLUDED IN RR WHL ASSY
6	1	5000076	X							WHEEL RIM, REAR, 19"	INCLUDED IN RR WHL ASSY
5	1	5000077								RIM LOCK, REAR	
*	1	5002510		X						RIM STRIP, 17"	
*	1	5002130			X	X	X	X		RIM STRIP, REAR	
4	1	5000078	X							RIM STRIP, REAR	
*	1	5002508		X						TUBE, 120/70-17	
*	1	5002131			X	X	X	X		TUBE, REAR	
3	1	5000079	X							TUBE, REAR	
*	1	5002507		X						TIRE, REAR, 150/60-17	
*	1	5002132			X	X	X	X		TIRE, REAR, 18"	
2	1	5000080	X							TIRE, REAR, 19"	
1	1	SEE REAR HUB								REAR HUB ASSEMBLY	INCLUDED IN RR WHL ASSYS
ITEM NO	QTY REQD	DEALER PART NUMBER	X	S	E	EA	ER	C	DESCRIPTION		NOTES
									REAR WHEEL PARTS LIST		



*	1	5002541		X						FRONT WHEEL SPACER	INCLUDED IN RR WHEEL ASSYS
10	1	5000074	X		X	X	X	X		FRONT WHEEL SPACER	INCLUDED IN FR WHEEL ASSYS
*	1	5002535		X						HUB, FRONT, BLK	INCLUDED IN FR WHEEL ASSYS
9	1	5000022-07	X		X	X	X	X		HUB, FRONT	INCLUDED IN FR WHEEL ASSYS
8	1	5000023								FRONT HUB BEARING SPACER	INCLUDED IN FR WHEEL ASSYS
*	1	5002542		X						FRONT WHEEL SPACER-DISC SIDE	INCLUDED IN RR WHEEL ASSYS
7	1	5000024	X		X	X	X	X		FRONT WHEEL SPACER-DISC SIDE	INCLUDED IN FR WHEEL ASSYS
6	5	5000355								SEALED BEARING, 20X42X12	INCLUDED IN WHEEL ASSYS
5	4	5000356								DOUBLE LIP SEAL, 32X42X4	INCLUDED IN WHEEL ASSYS
4	1	5001091								REAR WHEEL SPACER	INCLUDED IN RR WHEEL ASSYS
*	1	5002536		X						HUB, REAR, BLK	INCLUDED IN RR WHEEL ASSYS
3	1	5000071-08	X		X	X	X	X		HUB, REAR	INCLUDED IN RR WHEEL ASSYS
2	1	5000072								REAR HUB BEARING SPACER	INCLUDED IN RR WHEEL ASSYS
1	1	5000073								REAR WHEEL SPACER-DISC SIDE	INCLUDED IN RR WHEEL ASSYS
ITEM NO	QTY REQD	DEALER PART NUMBER	X	S	E	EA	ER	C	DESCRIPTION		NOTES
WHEEL HUBS PARTS LIST											



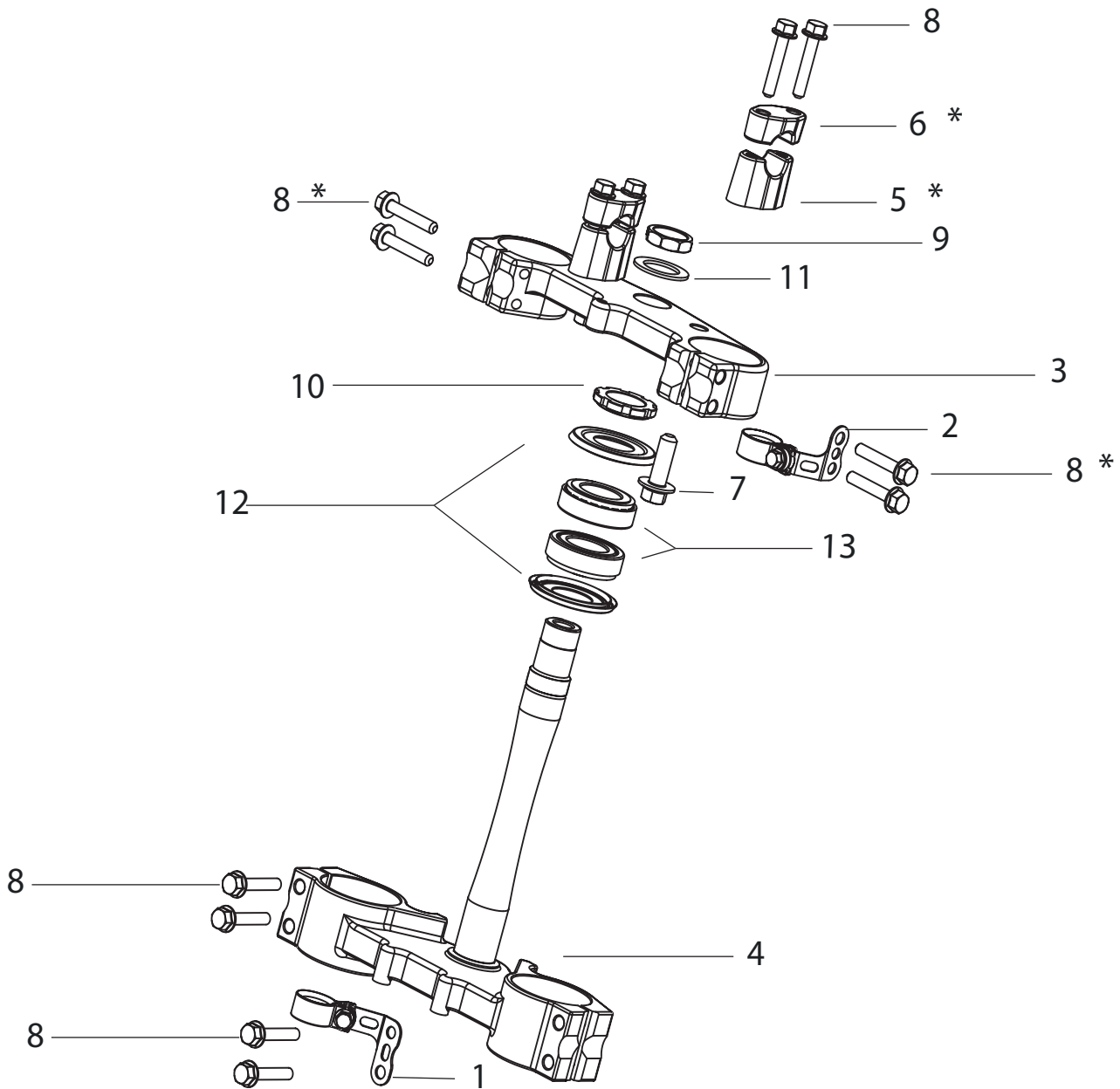
		5002526		X						FORK GUARD SET, MOTARD - SILVER	
		5002055	X		X	X	X	X		FORK GUARD SET - SILVER	
		5000018								FORK GUARD SET - BLACK	
		5001222								FORK GUARD SET - WHITE	
		5000013								FORK SPRING - 4.5 N/mm	OPTIONAL
		5000014								FORK SPRING - 4.7 N/mm	STANDARD
		5000015								FORK SPRING - 4.9 N/mm	OPTIONAL
*	1	5002617							X	FRONT FORK SET, CR	
*	1	5002619						X		FRONT FORK SET, ER	
*	1	5002621				X				FRONT FORK SET, EA	
*	1	5002621			X					FRONT FORK SET, E	
*	1	5002523		X						FRONT FORK SET, S	
59	1	5002600	X							FRONT FORK SET, X	

ADDITIONAL PARTS TABLE

58	AR	5000572								OHLINS FORK FLUID, 1LITER	
57	AR	5001526								FORK SERVICE KIT	
56	1	5000568								FORK INNER TUBE ASSY-RIGHT	
55	2	5000608								COMPRESSION ADJUSTER ASSY.	
54	2	5000607								COMPRESSION ADJUSTER O-RING	
53	2	5000610								COMPRESSION SHIM SET	
52	2	5000611								FORK COMPRESSION PISTON	
51	2	5000606								FORK COMPRESSION PISTON O-RING	
50	2	5000603								COMPRESSION PISTON SHIM	
49	2	5000604								COMPRESSION PISTON WAVE WSHR	
48	4	5000558								FRONT WHEEL AXLE PINCH BOLT	
47	1	5000567								FORK INNER TUBE ASSY-LEFT	
46	6	5000556								FORK GUARD BOLT	
45	1	SEE TABLE								FORK GUARD SET	
44	2	5000518								FORK INNER TUBE BUSHING	
43	2	5000565								DAMPING CARTRIDGE TUBE	
42	4	5000080								LOCKNUT	
41	4	5000601								WASHER	
40	2	5000600								MID VALVE SHIM SET	
39	2	5000598								FORK REBOUND PISTON RING	
38	2	5000597								FORK REBOUND PISTON	
37	2	5000594								REBOUND SHIM SET	
36	2	5000593								REBOUND ADJUSTER BODY	
35	2	5000592								REBOUND ADJ NEEDLE SPRING	
34	2	5000591								REBOUND ADJ NEEDLE	
33	2	5000590								REBOUND ADJ NEEDLE O-RING	
32	2	5000587								FORK TOP OUT SPRING	
31	2	5000589								FORK DAMPER ROD	
30	2	5000586								FORK TOP OUT SPRING WASHER	
29	2	5000585								FORK DAMPER ROD BUSHING	
28	2	5000584								FORK DAMPER ROD SLEEVE O-RING	
27	2	5000583								FORK DAMPER ROD SLEEVE	
26	2	5000582								DAMPING CARTRIDGE TUBE CAP	
25	2	5000581								DAMPER ROD CIRCLIP	
24	2	5000580								HYDRAULIC STOP COLLAR CIRCLIP	
23	2	5000579								FORK HYDRAULIC STOP	
22	2	5000578								FORK HYDRAULIC STOP COLLAR	
21	2	5000577								FORK SPRING GUIDE	
20	2	5000575								REBOUND ADJUSTER ASSY.	
19	2	5000576								REBOUND ADJUSTER O-RING	
18	2	5000574								FORK REBOUND ADJUSTER ROD	
17	2	5000564								FORK WIPER	
16	2	5000560								FORK SEAL RETAINING CIRCLIP	
15	2	5000563								FORK SEAL	
14	2	5000562								FORK SEAL RETAINING WASHER	
13	2	5000548								FORK OUTER TUBE BUSHING SLEEVE	
12	4	5000547								FORK OUTER TUBE BUSHING	
11	2	5000561								FORK OUTER TUBE BUSHING CIRCLIP	
10	2	5000005								FORK OUTER TUBE	
9	2	5000559								FORK OUTER TUBE DECAL	
8	2	SEE TABLE								FORK SPRING	
7	2	5000553								FORK SPRING WASHER	
6	2	5000552								FORK SPRING SPACER	
5	2	5000546								FORK OUTER TUBE CAP O-RING	
4	2	5000545								FORK OUTER TUBE CAP	
3	2	5000551								FORK AIR BLEED SCREW O-RING	
2	2	5000550								FORK AIR BLEED SCREW	
1	2	5000549								FORK OUTER TUBE CAP NUT	

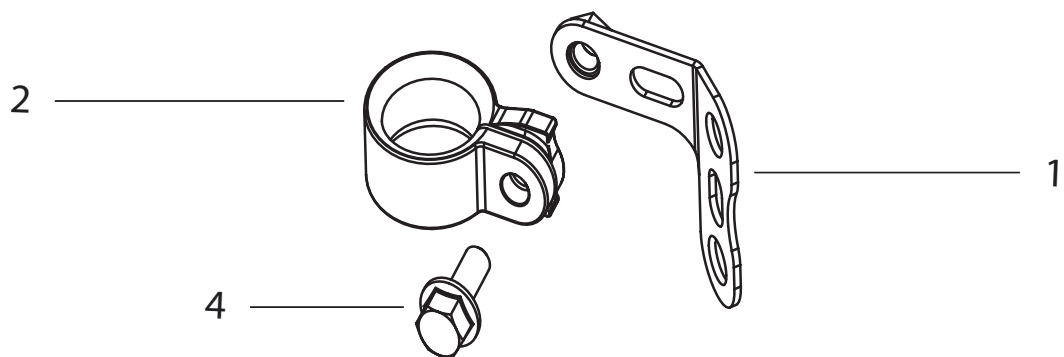
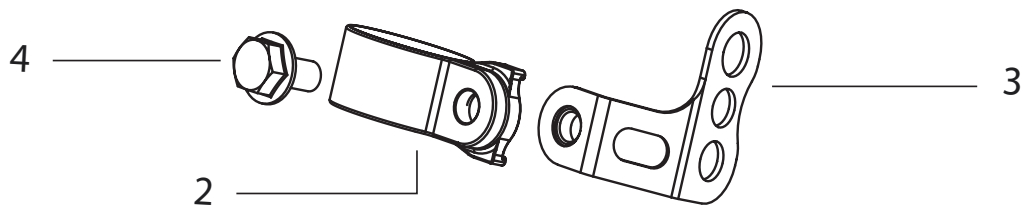
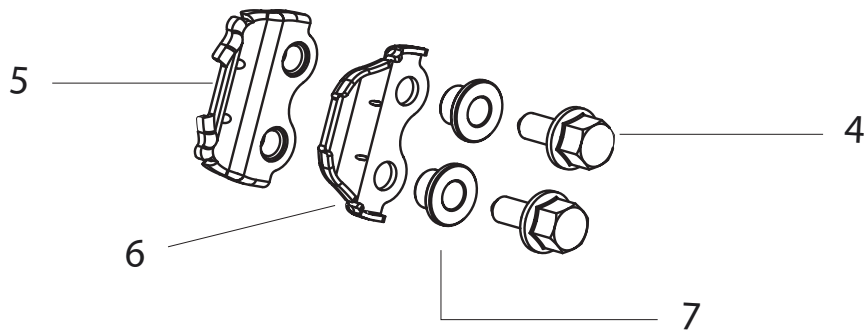
ITEM NO	QTY REQD	DEALER PART NUMBER	MODEL						DESCRIPTION	NOTES
			X	S	E	EA	ER	C		

FRONT FORK PARTS LIST



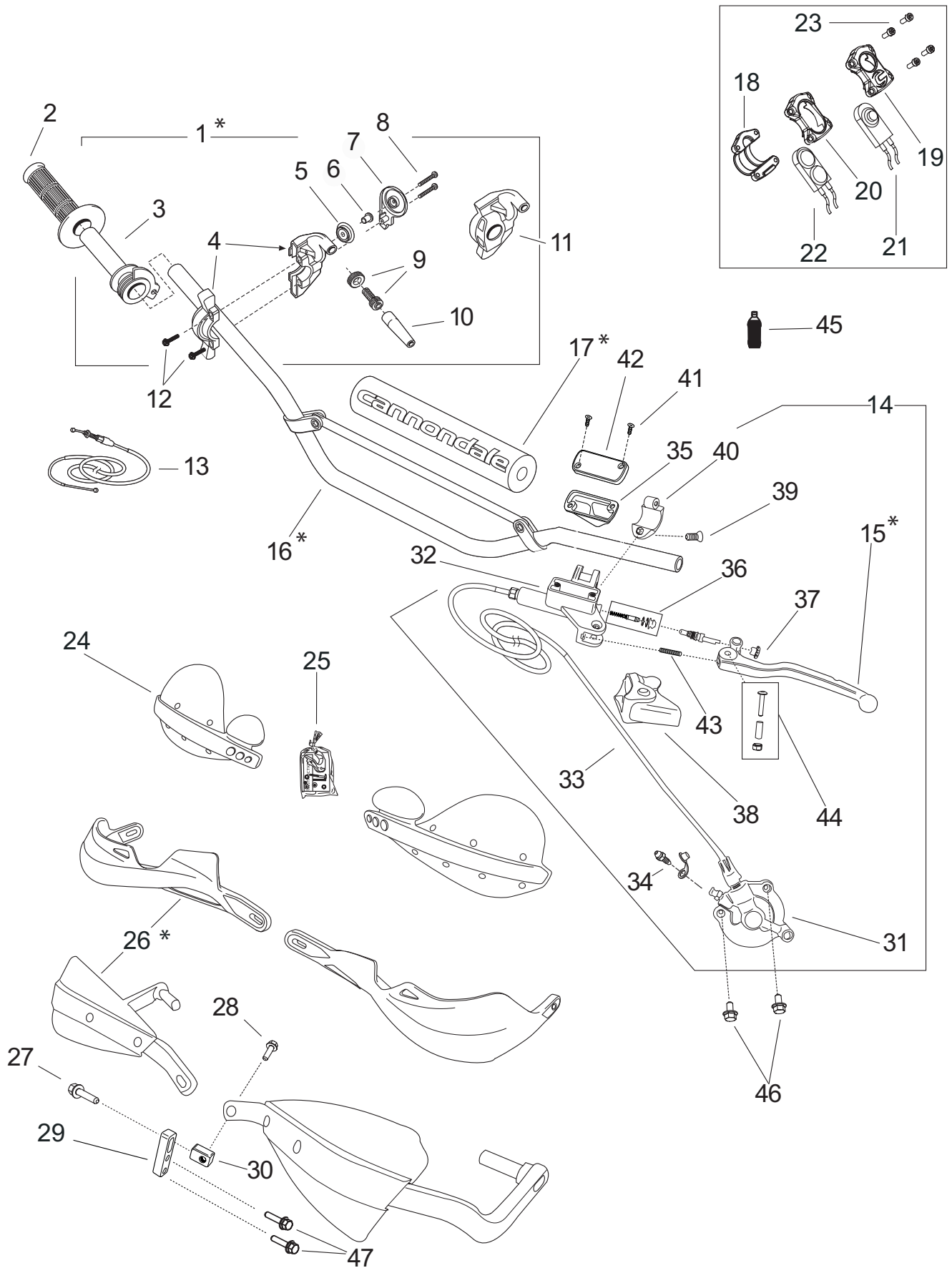
13	2	5000760								HEADSET BEARING, UPPER	
12	2	5000722								HEADSET SEAL, UPPER	
11	1	5000717								STEERER WASHER	
10	1	5000170								SLOTTED LOCKNUT	
9	1	5000174								STEERER NUT	
*	4	5000728		X				X		FHB, M8X55 mm	FOR USE W/ HANDGUARD BRCKT
8	12	5000100	X		X	X		X		FHB, M8X45 mm	
7	2	5000101								FHB, M12X35 mm, NLK	
*	2	5002537		X				X	X	CLAMP, HANDLEBAR, UPPER	
6	2	5000534	X		X	X				CLAMP, HANDLEBAR, UPPER	
*	2	5002533		X				X	X	CLAMP, HANDLEBAR, LOWER	
5	2	5000533	X		X	X				CLAMP, HANDLEBAR, LOWER	
4	1	012-5002097								LOWER TRIPLE CLAMP ASSY	
3	1	5000001B								UPPER TRIPLE CLAMP	
2										FRNT BRKE GDE, UPPER	SEE FRONT BRAKE GUIDE, UPPER
1										FRNT BRKE GDE, LOWER	SEE FRONT BRAKE GUIDE, LOWER
ITEM NO	QTY REQD	DEALER PART NUMBER	X	S	E	EA	ER	C		DESCRIPTION	NOTES

STEERING HEAD PARTS LIST

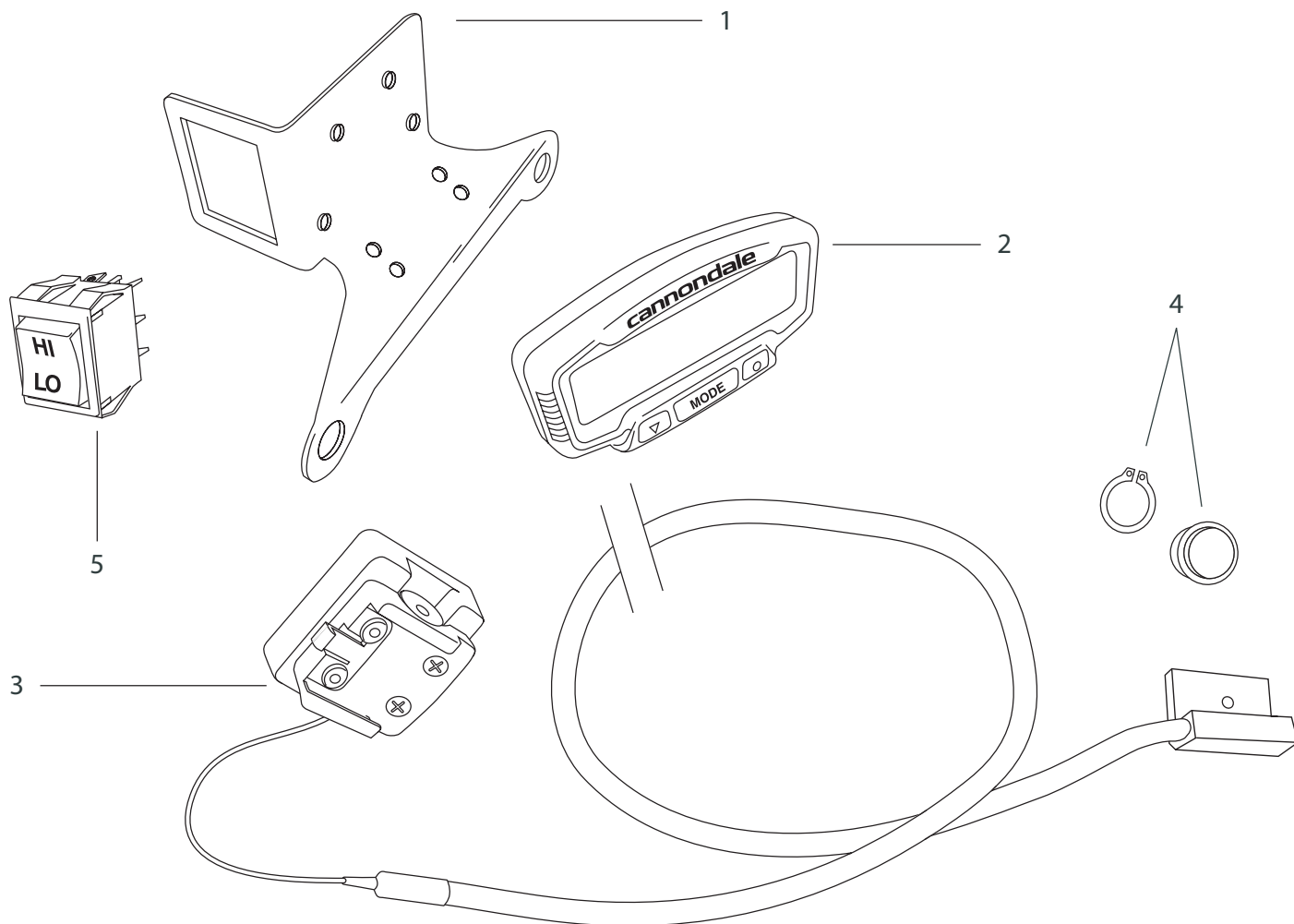


7	2	5000822								BRAKE LINE GUIDE TOPHAT	
6	1	5001270								BRAKE GUIDE CLAMP	
5	1	5000038								BRAKE GUIDE MOUNT ASSY	
4	4	5001013								FLNG HD BLT, M6X16, NLK	
3	1	5002261			X	X	X			FRONT BRAKE GUIDE MOUNT, UPPER	FOR USE W/ HEADLIGHT
2	2	5000535								FRONT BRAKE GUIDE	
1	1	5002263								FRONT BRAKE GUIDE MOUNT, LOWER	
ITEM NO	QTY REQD	DEALER PART NUMBER	X	S	E	EA	ER	C	DESCRIPTION		NOTES
			MODEL								

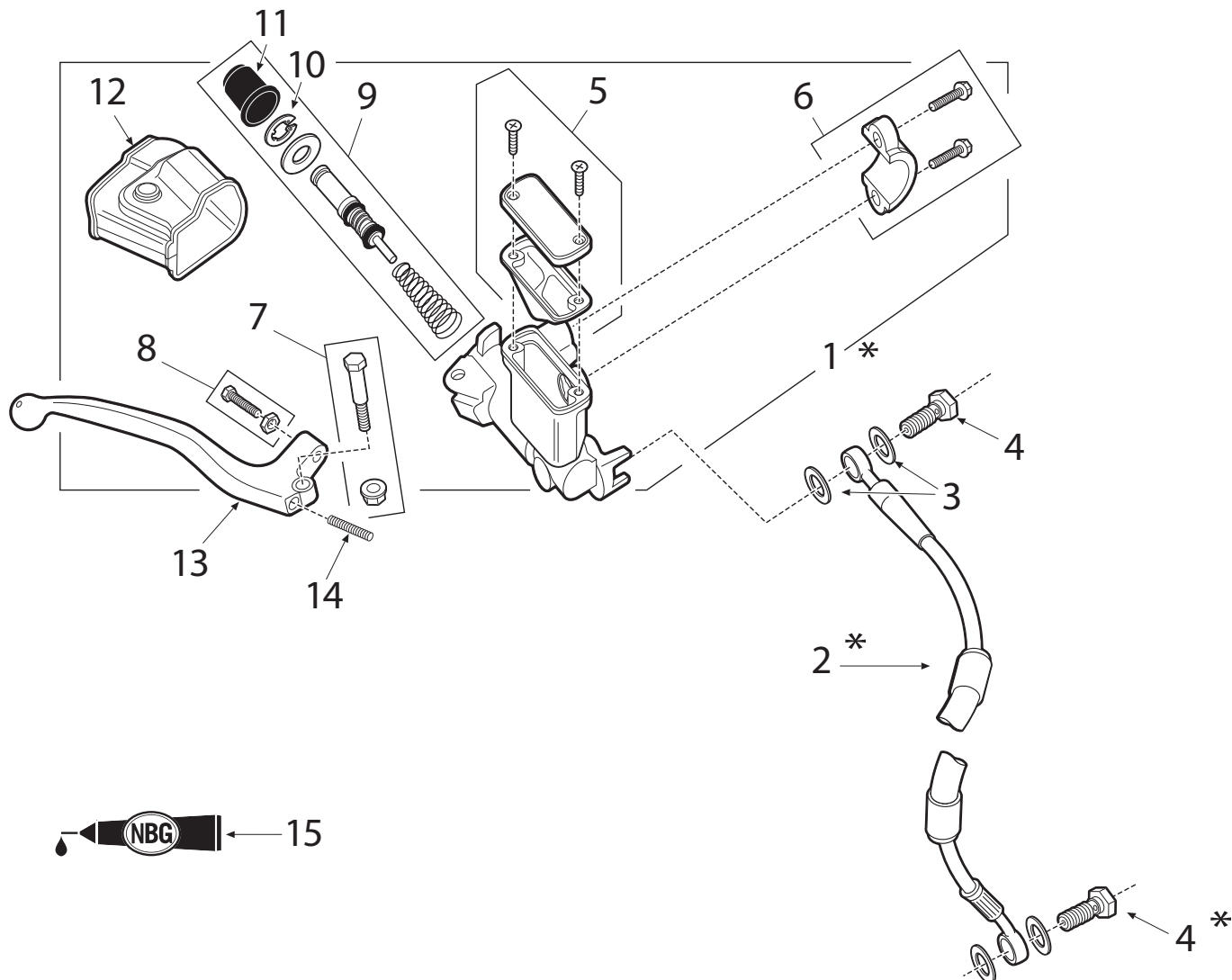
BRAKE GUIDES PARTS LIST



47	2	5000728		X				X	FHB M8X55 mm	
46	2	5001927							FHB M5X20 mm	
45	AR	5002385							HYDRAULIC CLUTCH OIL, 16 oz.	
44	1	5002373							CLUTCH LEVER PVT HRDWR KIT	INCLUDED IN 5002095
43	1	5002374							CLUTCH LEVER SPRING	INCLUDED IN 5002095
42	1	5002375							CLUTCH MASTER CYL CAP	INCLUDED IN 5002095
41	2	5002376							CLUTCH MASTER CYL CAP SCRW	INCLUDED IN 5002095
40	1	5002377							CLUTCH LEVER CLAMP	INCLUDED IN 5002095
39	1	5002378							CLUTCH LEVER CLAMP SCRW	INCLUDED IN 5002095
38	1	5002379							CLUTCH LEVER BOOT	INCLUDED IN 5002095
37	1	5002380							CLUTCH LEVER ADJ GRIP, RED	INCLUDED IN 5002095
36	1	5002381							CLUTCH MSTR CYL PISTON KIT	INCLUDED IN 5002095
35	1	5002382							CLUTCH MSTR CYL MEMBRANE	INCLUDED IN 5002095
34	1	5002383							CLUTCH SLAVE VALVE, CAP KIT	INCLUDED IN 5002095
33	1	5002384							CLUTCH TUBE KIT, 1045 mm	INCLUDED IN 5002095
32	1	5002386							MASTER CYLINDER, SLV, M/C	INCLUDED IN 5002095
31	1	5002387							SLAVE CYLINDER, COMPLETE	INCLUDED IN 5002095
30	2	5002538		X				X	BRACKET, HANDGUARD, UPPER	
29	2	5002539		X				X	BRACKET, HANDGUARD, LOWER	
28	2	6000252		X				X	FHB M8X25 mm	HANDGUARD MNTNG HRDWR
27	2	6000277		X				X	FHB M8X20 mm	HANDGUARD MNTNG HRDWR
*	1	5002519		X					HANDGUARD SET, LOOP, SILVER	
26	1	5002215						X	HANDGUARD SET, LOOP, SILVER	
25	1	5001808L						X	HANDGUARD HARDWARE KIT	
24	1	5001808						X	HANDGUARD SET, BLACK	
23	4	5000379							SHCS,M4X12 ZINC	
22	1	5002364							ENGINE ON/OFF SWITCH	
21	1	5000131-01							ENGINE START SWITCH	
20	1	5002363							SWITCH CAP	USE W/ ON/OFF SWITCH 5002364
19	1	5000437							SWITCH CAP	
18	1	5001274-04							SWITCH CLAMP	
*	1	6001180		X				X X	HANDLEBAR PAD, RED, MAGURA	
*	1	5002262	X						CROSSBAR PAD - SILVER	
17	1	5000317			X	X			CROSSBAR PAD - BLACK/YELLOW	
*	1	5002518		X					HANDLEBAR, MAGURA, SX	
*	1	5002454						X X	HANDLEBAR, MAGURA, MX2	
16	1	5000120	X		X	X			HANDLEBAR	
*	1	5002372S							CLUTCH LEVER, SILVER, SHORT	
15	1	5002372							CLUTCH LEVER, SILVER	
14	1	5002095							HYDRAULIC CLUTCH LEVER ASSY	
13	1	5000125							THROTTLE CABLE	
12	2	5000786							FLANGE HEAD BOLT, M6X20 mm	INCLUDED IN THROTTLE ASSY
11	1	5000123							THROTTLE HOUSING BOOT	INCLUDED IN THROTTLE ASSY
10	1	5001590							THROTTLE CABLE ADJ BOOT	INCLUDED IN THROTTLE ASSY
9	1	5001369							THROTTLE CABLE ADJUSTER	INCLUDED IN THROTTLE ASSY
8	2	5001368							THROTTLE PULLEY COVER SCRW	INCLUDED IN THROTTLE ASSY
7	1	5001367							THROTTLE PULLEY COVER	INCLUDED IN THROTTLE ASSY
6	1	5001366							THROTTLE PULLEY BUSHING	INCLUDED IN THROTTLE ASSY
5	1	5001365							THROTTLE PULLEY	INCLUDED IN THROTTLE ASSY
4	1	5000488							THROTTLE HOUSING SET	INCLUDED IN THROTTLE ASSY
3	1	5000124							THROTTLE TUBE	INCLUDED IN THROTTLE ASSY
2	1	5000121							HANDLEBAR GRIP SET	
*	1	5002252						X	THROTTLE ASSEMBLY, E440R	FOR USE W/ HANDGUARDS
1	1	5000474	X	X	X	X		X	THROTTLE ASSEMBLY	
ITEM NO	QTY REQD	DEALER PART NUMBER	X	S	E	EA	ER	C	DESCRIPTION	NOTES
									MODEL	

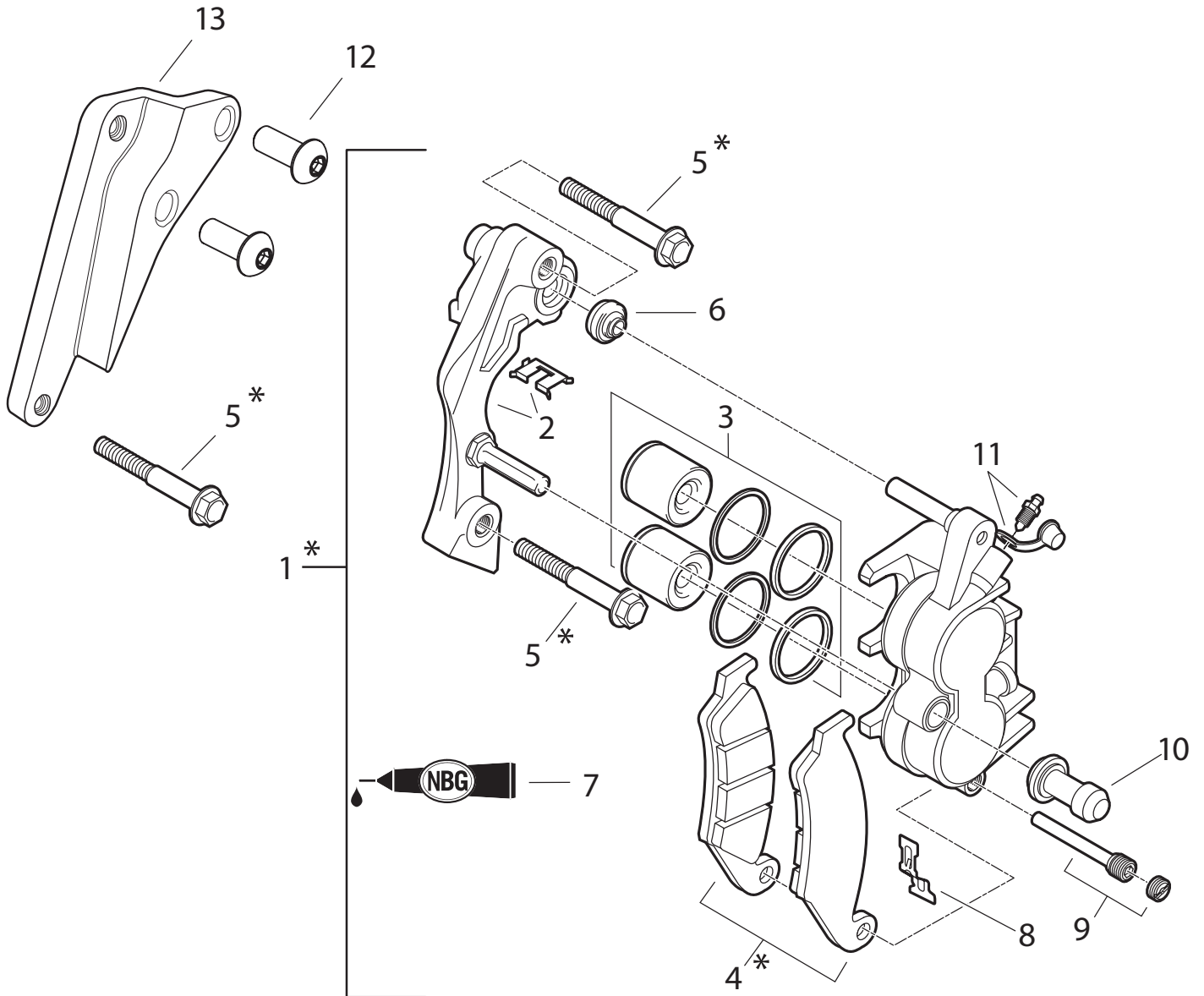


		5002260I								ODOMETER INSTRUCTIONS	
ADDITIONAL PARTS TABLE											
5	1	5002254								SWITCH, HEAD LIGHT	
4	1	5002248								SENSOR MAGNET	
3	1	5002257								CABLE, ODOMETER	
2	1	5002260								ODOMETER	
1	1	5002211								ODOMETER MOUNT PLATE	
ITEM NO	QTY REQD	DEALER PART NUMBER	X	S	E	EA	ER	C	DESCRIPTION		NOTES
			MODEL								
ODOMETER PARTS LIST											



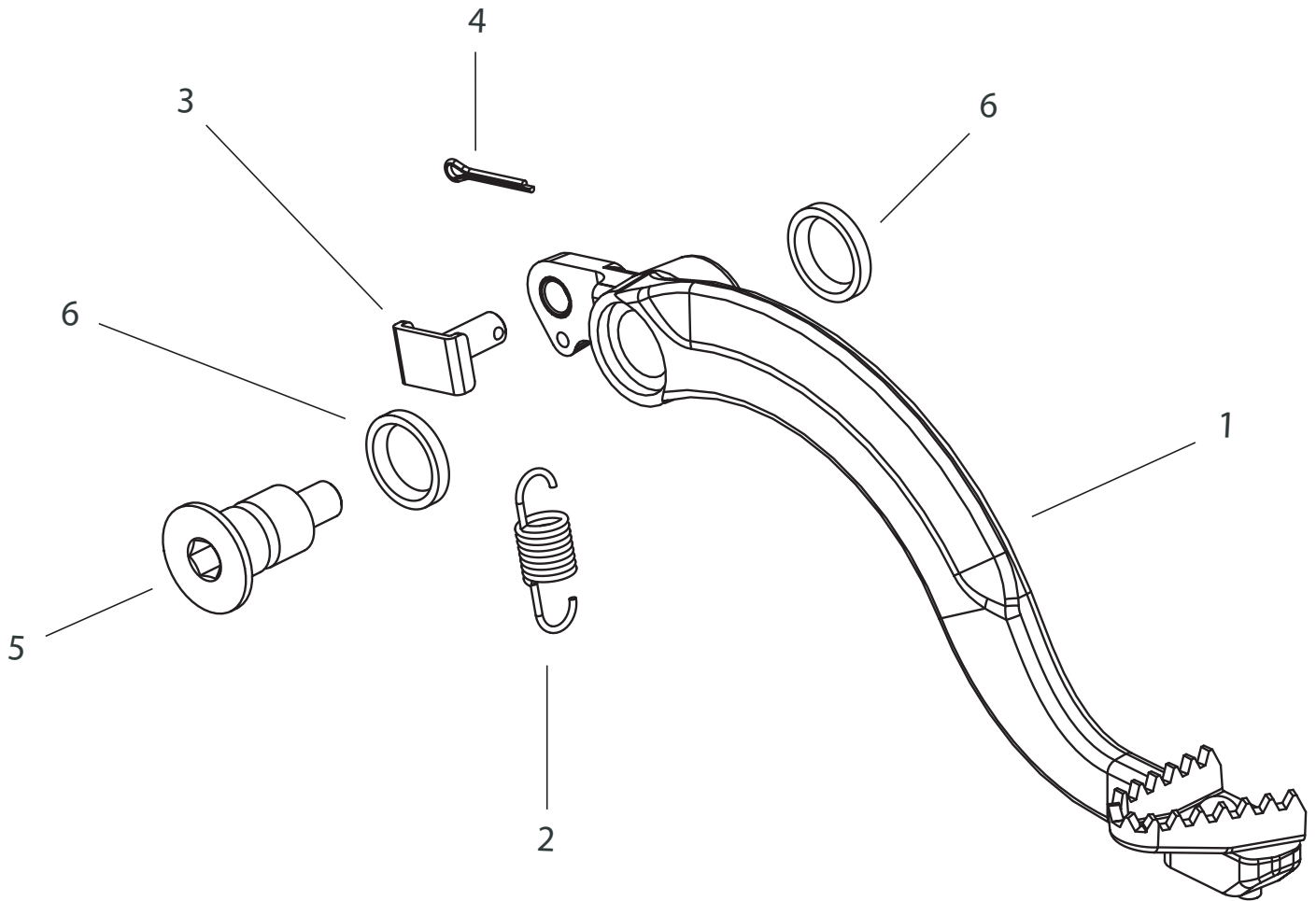
15	AR	5000268								NISSIN BRAKE GREASE, 2 GRAM	AS REQUIRED
14	1	5000046								FT BRAKE LEVER RETURN SPRING	NISSIN - INCLUDED IN 5000032
13	1	5000044								FT BRAKE LEVER	NISSIN - INCLUDED IN 5000032
12	1	5000103								FT BRAKE LEVER RUBBER COVER	NISSIN - INCLUDED IN 5000032
11	1	5000043								FT BRAKE MSTR CYL BOOT	INCLUDED IN 5000032 / 5000033
10	1	5000099								FT BRAKE MSTR CYL CIRCLIP	INCLUDED IN 5000032 / 5000033
9	1	5000033								FT BRAKE MSTR CYL KIT	NISSIN - INCLUDED IN 5000032
8	1	5000045								FT BRAKE LEVER ADJ BOLT KIT	NISSIN - INCLUDED IN 5000032
7	1	5000041								FT BRAKE LEVER PIVOT BOLT KIT	NISSIN - INCLUDED IN 5000032
6	1	5000042								FT BRAKE MSTR CYL CLAMP KIT	NISSIN - INCLUDED IN 5000032
5	1	5000040								FT BRAKE MASTER CYL CAP KIT	NISSIN - INCLUDED IN 5000032
*	1	5002515		X						BANJO BOLT, M10X1.0X10 mm	TO CALIPER
4	2	5000538	X		X	X	X	X		BRAKE LINE BANJO BOLT	
3	4	5001549								CRUSH WASHER	
*	1	5002311			X	X	X			FT BRAKE LINE, E	
*	1	5002514		X						FT BRAKE LINE, S	
2	1	5002264	X					X		FT BRAKE LINE	
*	1	5002516		X						FT BRAKE MSTR CYL ASSY, MOTARD	
1	1	5000032	X		X	X	X	X		FT BRAKE MSTR CYL ASSY	
ITEM NO	QTY REQD	DEALER PART NUMBER	X	S	E	EA	ER	C		DESCRIPTION	NOTES

FRONT BRAKE MASTER CYLINDER PARTS LIST



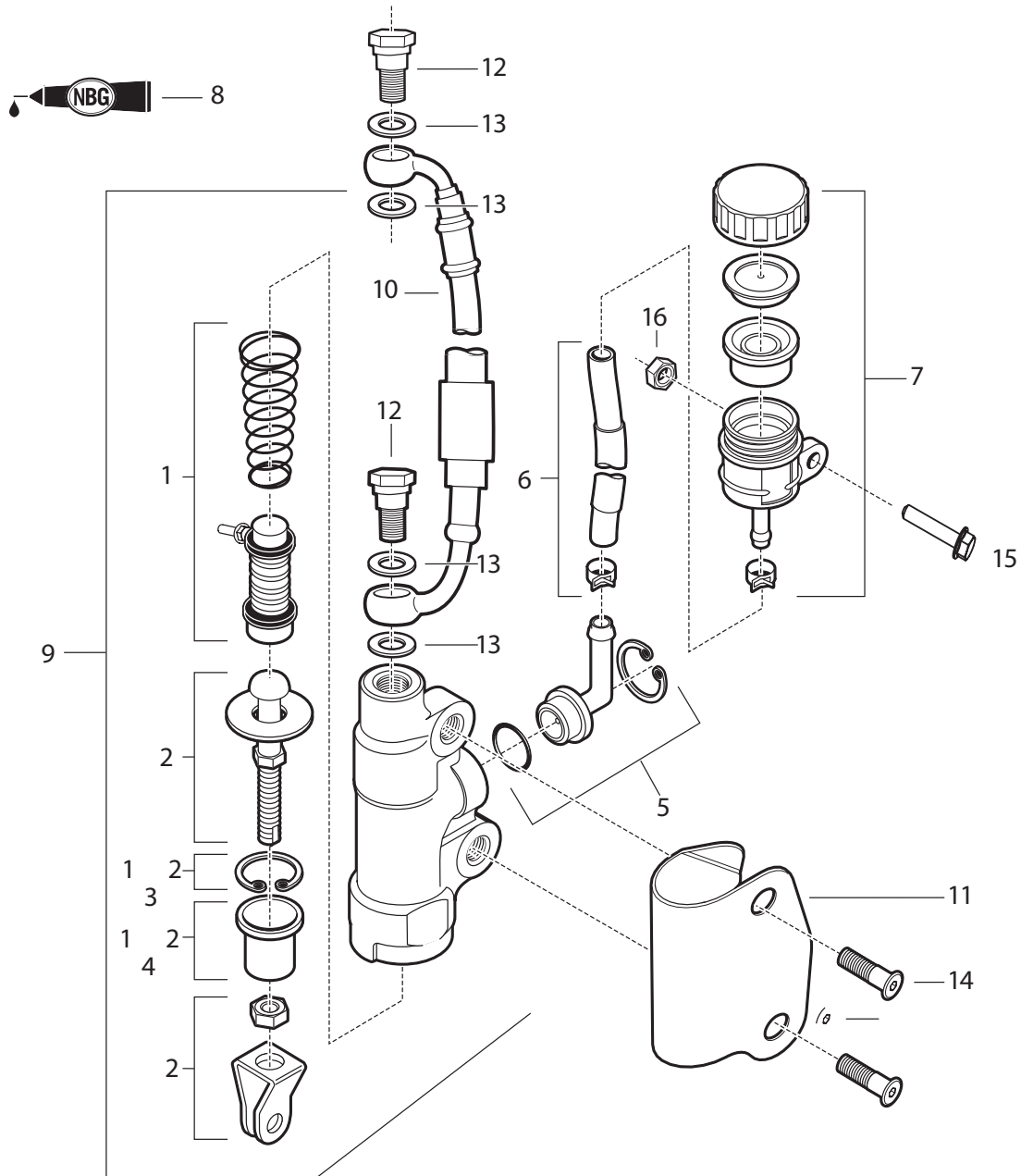
13	1	5002513		X						FRONT BRAKE CALIPER MOUNT	
12	2	5001264		X						BHCS, M10x25mm	
11	1	5000055								BRAKE CALIPER BLEEDER KIT	
10	1	5000052								SLIDE PIN BOOT - LARGE	
9	1	5000054								FRONT BRAKE PAD PIN KIT	
8	1	5000049								FRONT BRAKE PAD SPRING	
7	AR	5000268								NISSIN BRAKE GREASE, 2 GRAM	AS REQUIRED
6	1	5000050								SLIDE PIN BOOT - SMALL	
*	2	5000612		X						FLANGE HEAD BOLT, M8X35 mm	
5	2	5000863	X		X	X	X	X		FLANGE HEAD BOLT, M8X40 mm	
*	1	5002517		X						FRONT BRAKE CALIPER PAD SET	SUPER MOTARD
4	1	5000035	X		X	X	X	X		FRONT BRAKE CALIPER PAD KIT	
3	1	5000036								FRONT BRAKE CALIPER PISTON KIT	
2	1	5000048								FRONT BRAKE CALIPER BRACKET	
*	1	5002256			X	X	X			FRONT BRAKE CALIPER ASSEMBLY, E	FOR USE W/ ODOMETER
*	1	5002512		X						FRONT BRAKE CALIPER ASSY, MOTARD	S MOTARD. PAD SET NOT INCLD
1	1	5000034	X					X		FRONT BRAKE CALIPER ASSEMBLY	
ITEM NO	QTY REQD	DEALER PART NUMBER	X	S	E	EA	ER	C		DESCRIPTION	NOTES

FRONT BRAKE CALIPER PARTS LIST



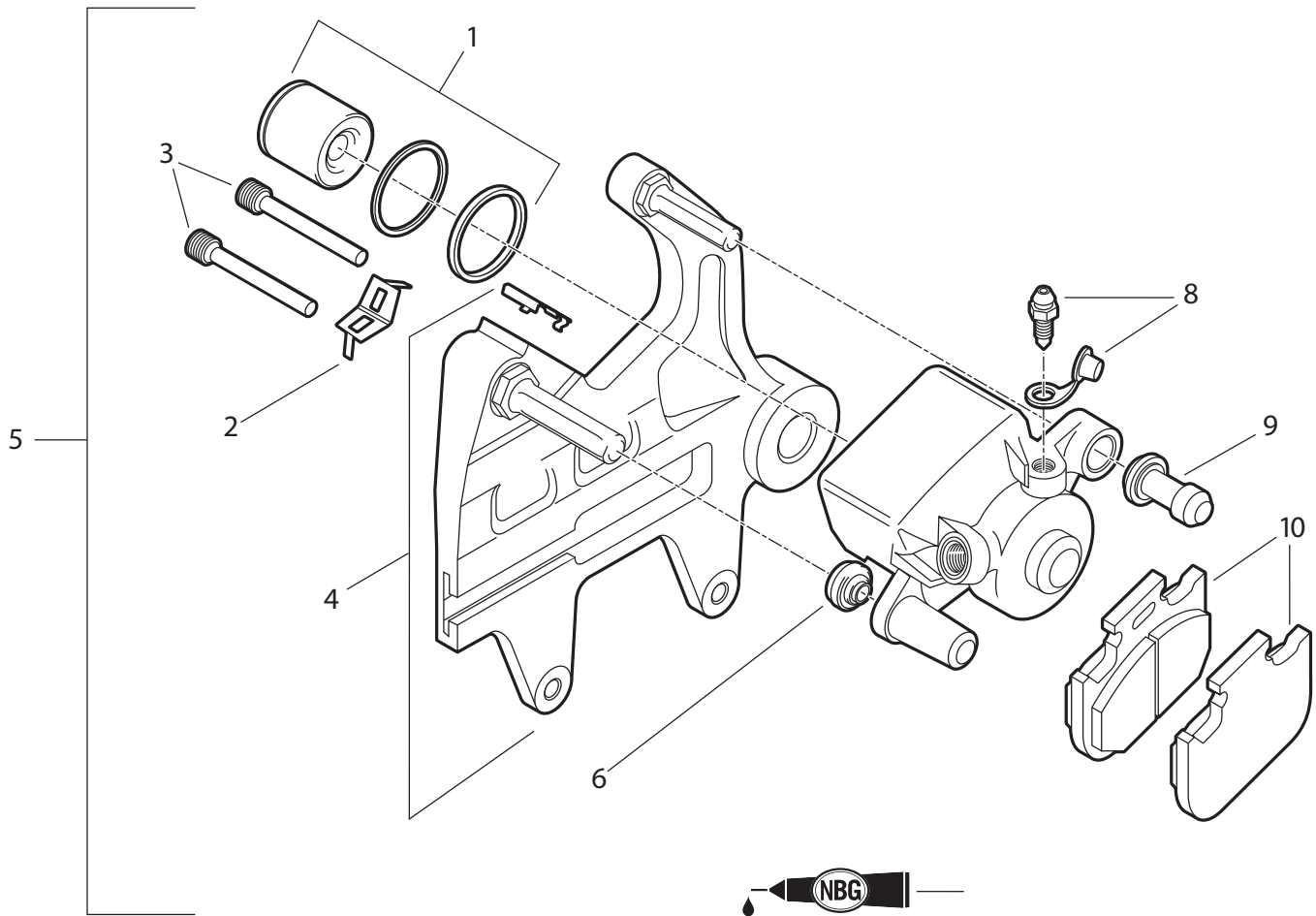
6	2	5000375								SEAL, 15X21X3	INCLUDED IN 5001226
5	1	5000399								BOLT, BRAKE PEDAL	
4	1	5000413								RR BRAKE COTTER PIN	
3	1	5000109								BRAKE PEDAL YOKE PIN	INCLUDED IN 5001226
2	1	5000112								SPRING, BRAKE PEDAL	
1	1	5001226								REAR BRAKE PEDAL	
ITEM NO	QTY REQD	DEALER PART NUMBER	X	S	E	EA	ER	C	DESCRIPTION		NOTES
			MODEL								

REAR BRAKE PEDAL PARTS LIST



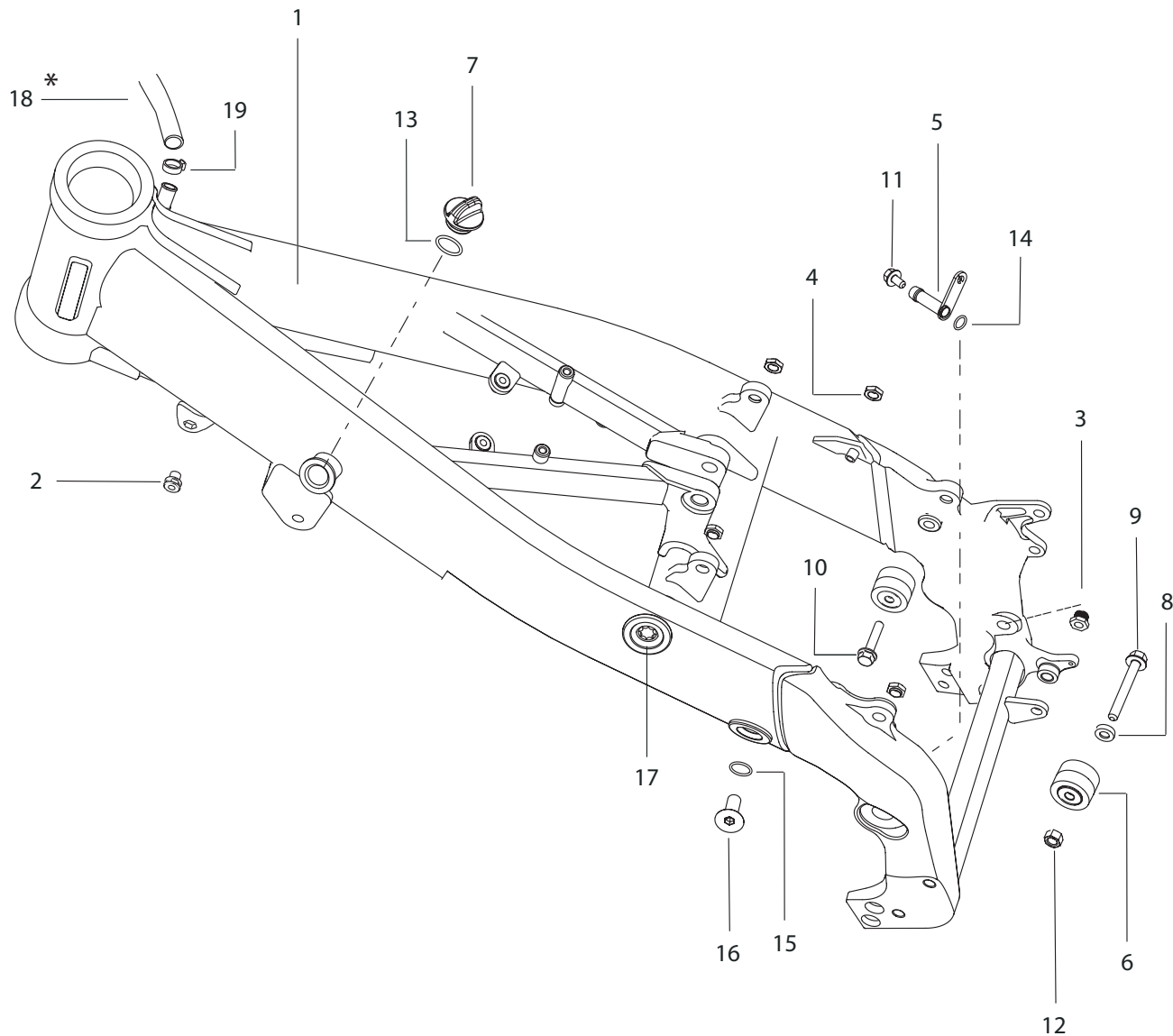
16	1	5000434									NUT, FLANGE, M6		
15	1	5001013									FLNGS HEAD BOLT, M6 X 16		
14	2	5000126									SHCS, M8 X 20		
13	4	5001549									CRUSH WASHER		
12	2	5000538									BRAKE LINE BANJO BOLT		
11	1	5001268									RR BRAKE MSTR CYL GUARD		
10	1	5000537									REAR BRAKE LINE		
9	1	5002285									RR BRAKE MSTR CYL ASSY		
8	AR	5000268									NISSIN BRAKE GREASE, 2 GRAM	AS REQUIRED	
7	1	5000085									RR BRAKE RESERVOIR ASSY		
6	1	5000104									RR BRAKE RESERVOIR HOSE KIT		
5	1	5000105									RR BRAKE MSTR CYL ELBOW KIT		
4	1	5000107									RR BRAKE MSTR CYL BOOT		
3	1	5000267									RR BRAKE MSTR CYL PISTON CIRCLIP		
2	1	5000106									RR BRAKE MSTR CYL PUSHROD KIT		
1	1	5000086									RR BRAKE MASTER CYL KIT		
ITEM NO	QTY REQD	DEALER PART NUMBER	X	S	E	EA	ER	C	MODEL			DESCRIPTION	NOTES

REAR BRAKE MASTER CYLINDER PARTS LIST



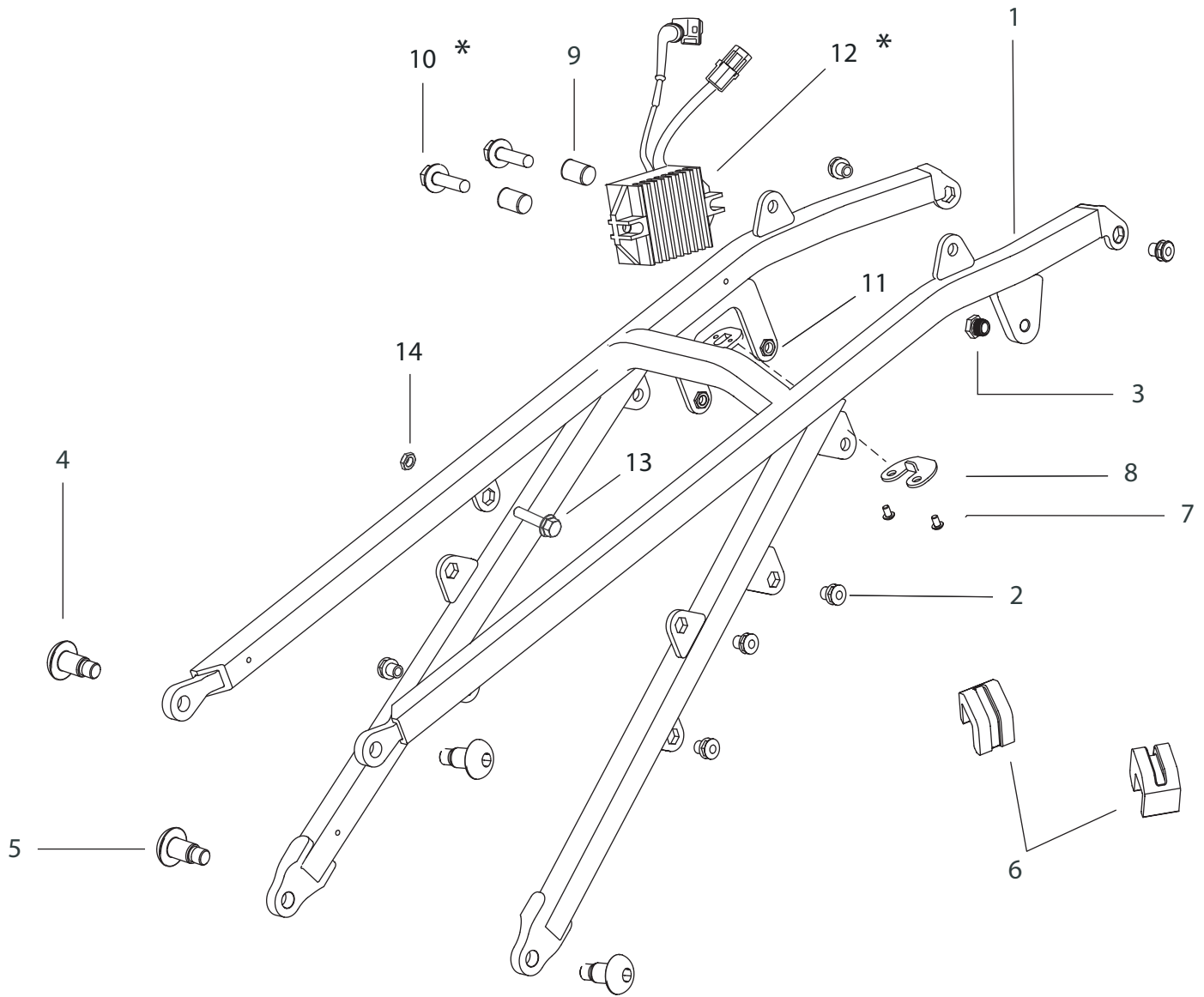
10	1	5000082								REAR BRAKE PAD SET	
9	1	5000052								SLIDE PIN BOOT - LARGE	
8	1	5000055								BRAKE CALIPER BLEEDER KIT	
7	AR	5000268								NISSIN BRAKE GREASE, 2 GRAM	AS REQUIRED
6	1	5000050								SLIDE PIN BOOT - SMALL	
5	1	5000081								REAR BRAKE CALIPER A SSEMBLY	
4	1	5000096								REAR BRAKE CALIPER BRACKET	
3	1	5000098								REAR BRAKE PAD PIN KIT	
2	1	5000091								REAR BRAKE PAD SPRING	
1	1	5000083								REAR BRAKE CALIPER PISTON KIT	
ITEM NO	QTY REQD	DEALER PART NUMBER	X	S	E	EA	ER	C	DESCRIPTION		NOTES

REAR BRAKE CALIPER PARTS LIST

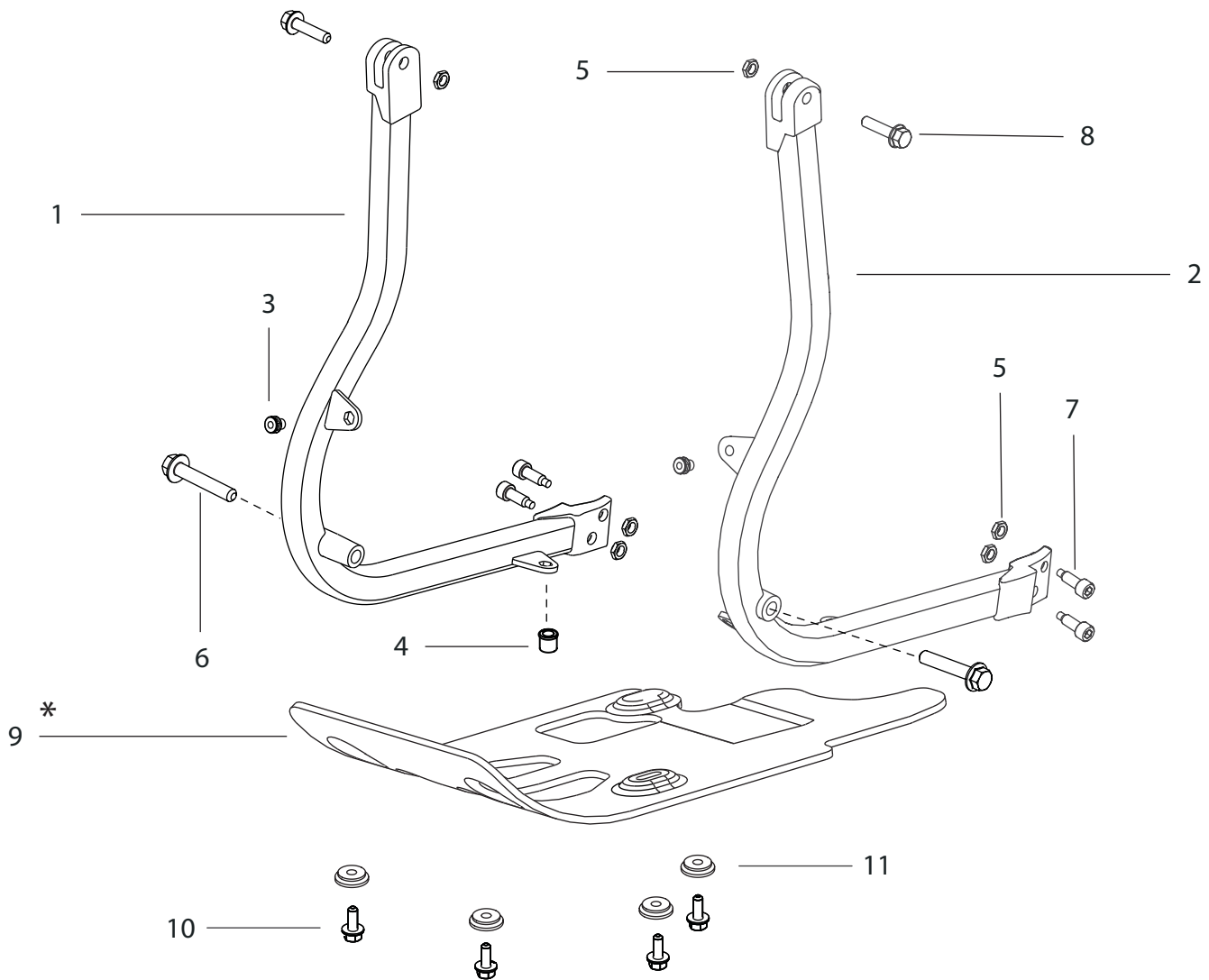


19	1	5002409								CLAMP, ONE-EARED, STEPLESSS, 19.8	
*	1	5002331								HOSE, BREATHER, FRAME	GREEN STICKER
18	1	5002198								HOSE, BREATHER, FRAME	
17	1	5002071								OIL LEVEL SIGHT WINDOW	
16	2	5002069								FHCS, M10X1.5X16	
15	2	5000482								O-RING, 2-011	
14	1	5000487								O-RING, 2-012	
13	1	5000828								O-RING, 2-016	
12	1	5000140								LOCKNUT, M8	
11	1	5001184								FLNG HD BLT, M6X12,NLK	
10	1	5000863								FLNG HD BLT, M8X40,NY LK	
9	1	5002068								FHB, M8X60 mm	
8	1	5001374								CHAIN ROLLER SPACER	
7	1	5001434-03								OIL FILL CAP	
6	2	5000524								DRIVE CHAIN ROLLER	
5	1	5000233-E								ENGINE OIL FITTING	
4	4	5000190								THREADED INSERT, M8	INCLUDED IN 5002100
3	1	5001593								INSERT, M8	INCLUDED IN 5002100
2	5	5000888								RIV NUT, M6	INCLUDED IN 5002100
1	1	201-5002100								MAIN FRAME SUB ASSY	
ITEM NO	QTY REQD	DEALER PART NUMBER	X	S	E	EA	ER	C	DESCRIPTION		NOTES

MAINFRAME PARTS LIST

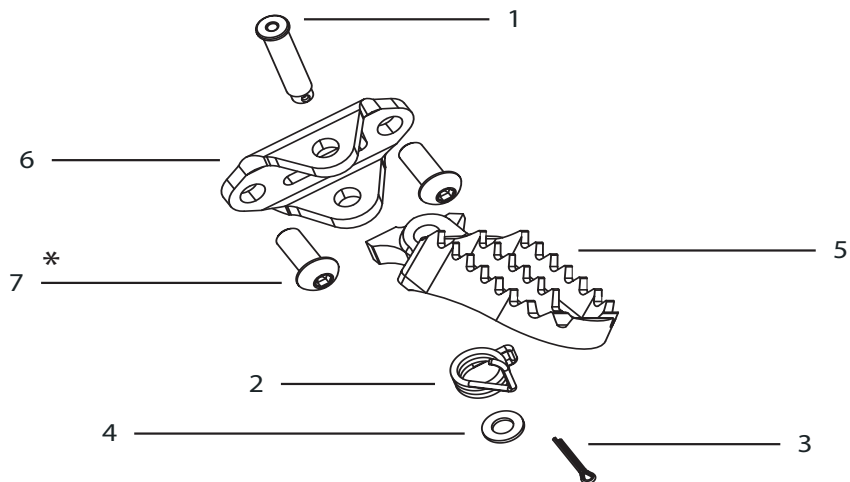


15	4	5000192								FLAT WASHER, M6	
14	1	6000341								NUT, LOCK, M6	GROUND
13	1	5001013								FHB M6X16 mm	GROUND
*	1	5002520		X	X	X	X	X		VOLTAGE RECTIFIER/REGULATOR	
12	1	5002615	X							VOLTAGE RECTIFIER/REGULATOR	
11	2	5000189								THREADED INSERT, M6	INCLUDED IN 201-5002103
*	2	5000093		X	X	X	X	X		FLANGE-HEAD BOLT, M6X25	
10	2	5000423	X							FLANGE-HEAD BOLT, M6X50	
9	1	6000378	X							SPACER, REAR BRAKE RESERVOIR	
8	1	5002228								SEAT LATCH WEAR PLATE	INCLUDED IN 201-5002103
7	2	5002234								BHCS, M3X5 mm	INCLUDED IN 201-5002103
6	2	5002326								ISOLATION BLOCK	
5	2	6000116								BOLT, SHOULDER, M8X15 mm	
4	2	5000139								SHLDR SS,M10X12,NLKZC	
3	1	5001593								THREADED INSERT, M8	INCLUDED IN 201-5002103
2	7	5000888								RIVNUT, M6	INCLUDED IN 201-5002103
1	1	201-5002103								SUBFRAME WELDMENT	
ITEM NO	QTY REQD	DEALER PART NUMBER	X	S	E	EA	ER	C	DESCRIPTION		NOTES
SUBFRAME PARTS LIST											

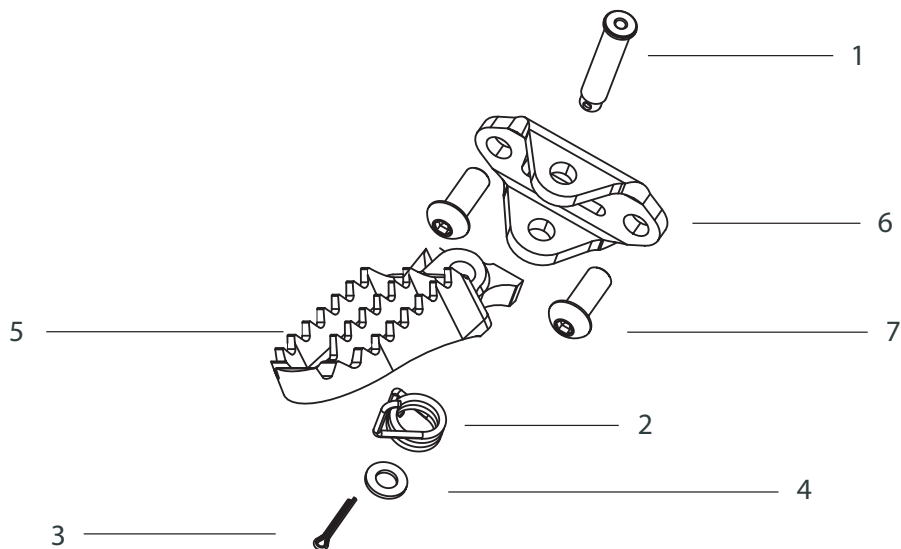


11	4	5001531	X							TOP HAT WASHER, PLASTIC	FOR USE W/ PLASTIC SKID PLATE
10	4	5001013								FLANGE-HEAD BOLT, M6X16	
*	1	5001792-04			X	X	X	X		SKID PLATE, ALUM	
9	1	5000156-02	X							SKID PLATE, PLASTIC	
8	2	5000612								FLNG HD BLT, M8X35, NYLK	
7	4	6000391								SHCS, M8x30mm NYLK	
6	2	5000527								FLNG HD BLT, M10X90, NLK	
5	6	5000190								THREADED INSERT, M8	INCLUDED IN 201-5002101/5002102
4	4	5001967								INSERT, M6	INCLUDED IN 201-5002101/5002102
3	2	5000888								RIVNUT, M6	INCLUDED IN 201-5000521/5000522
2	1	201-5002102								FRAME RAIL, LEFT	
1	1	201-5002101								FRAME RAIL, RIGHT	
ITEM NO	QTY REQD	DEALER PART NUMBER	X	S	E	EA	ER	C	DESCRIPTION		NOTES

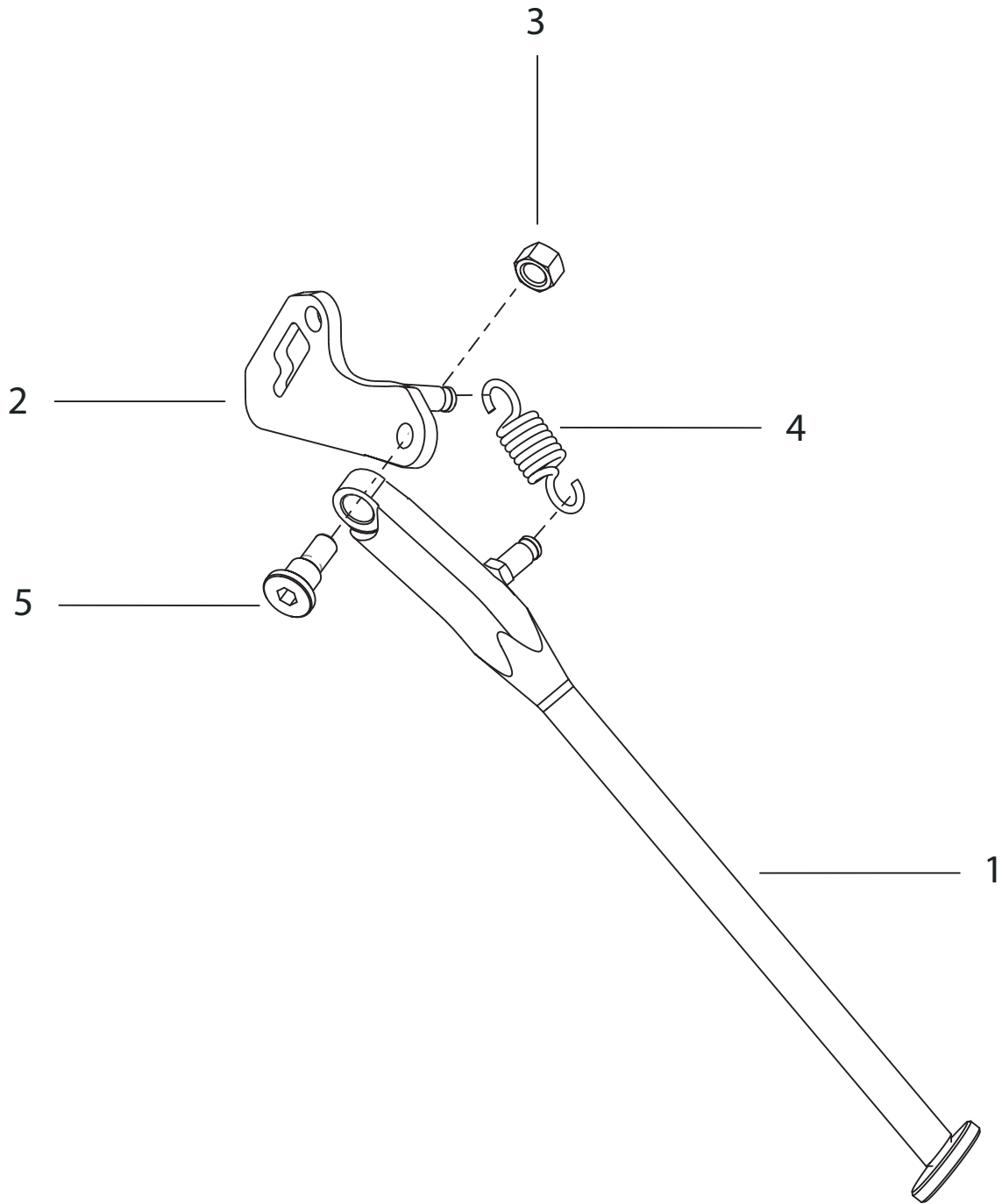
FRAME RAIL PARTS LIST



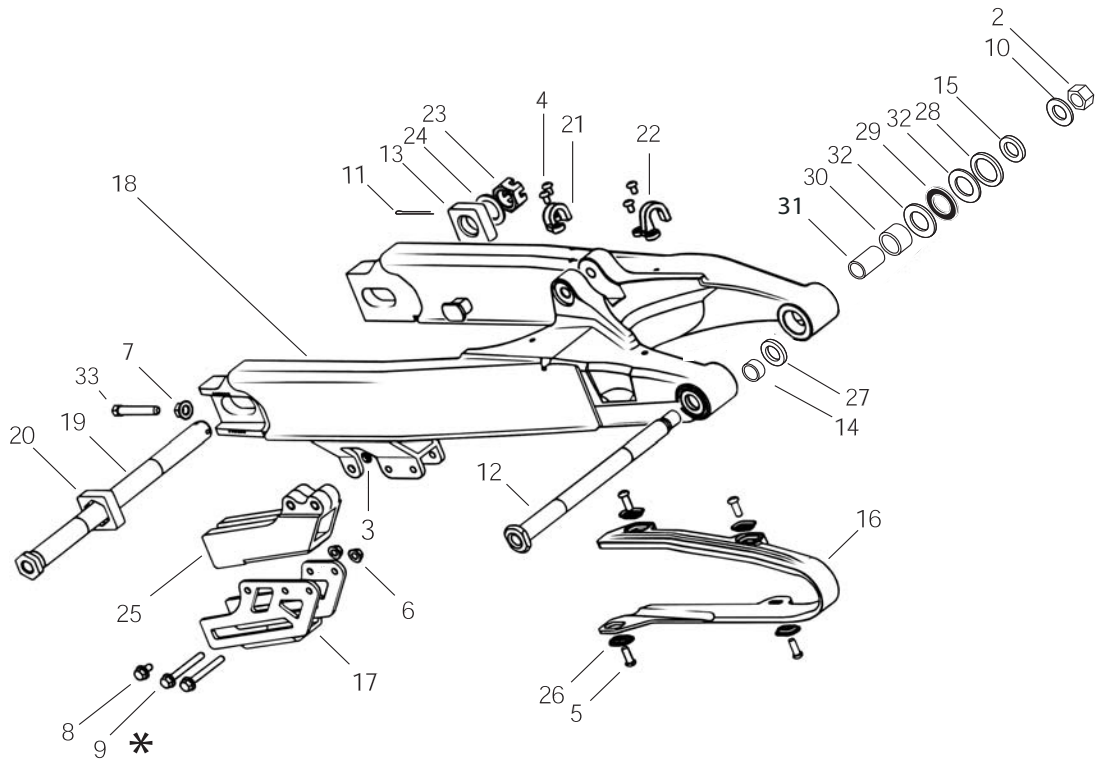
*	2	5000136			X	X	X	X	BHCS, M10X30, NYLKZNC	USE W/ KICKSTAND
7	2	5001264	X	X					BHCS, M10X25, NYLKZNC	
6	1	5001919							FOOTPEG BRACKET	
5	1	5000526							FOOTPEG, LEFT	
4	1	5000713							FLAT WASHER, M8	
3	1	5000400							COTTER PIN, 2.5X20	
2	1	5000985							FOOTPEG SPRING, LEFT	
1	1	5000986							FOOTPEG PIVOT PIN	
ITEM NO	QTY REQD	DEALER PART NUMBER	X	S	E	EA	ER	C	DESCRIPTION	NOTES
MODEL										
LEFT FOOTPEG PARTS LIST										



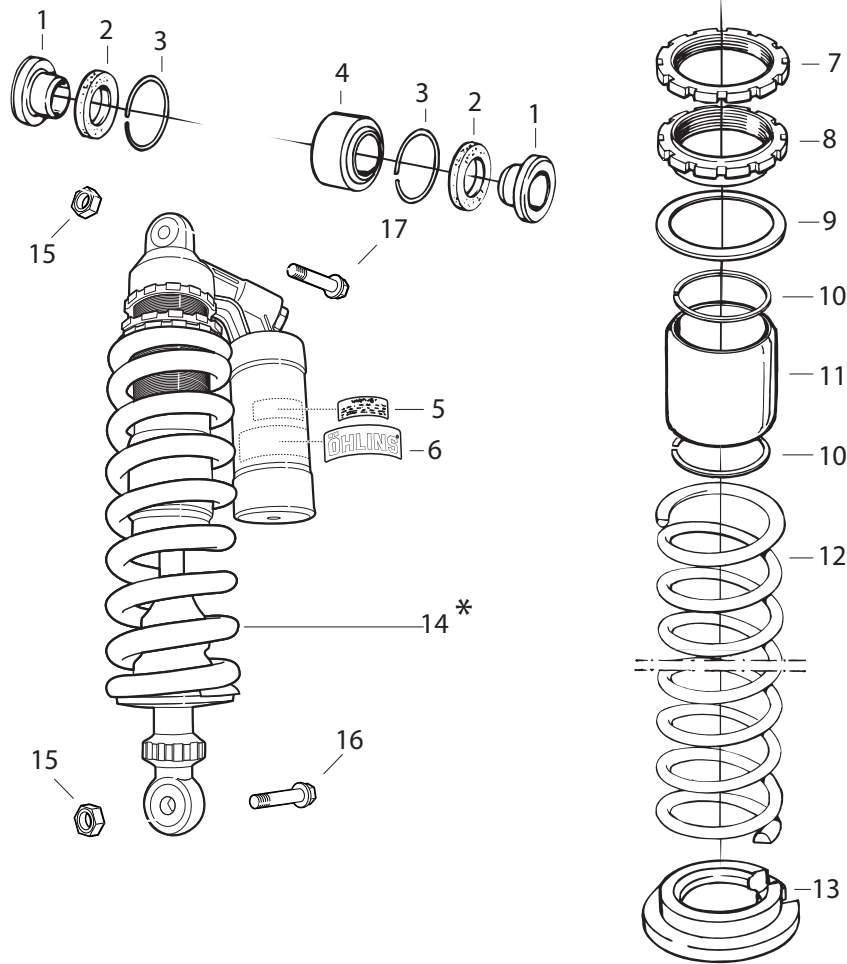
7	2	5001264							BHCS, M10X25, NYLKZNC	
6	1	5001919							FOOTPEG BRACKET	
5	1	5002286							FOOTPEG, RIGHT	
4	1	5000713							FLAT WASHER, M8	
3	1	5000400							COTTER PIN, 2.5X20	
2	1	5000984							FOOTPEG SPRING, RIGHT	
1	1	5000986							FOOTPEG PIVOT PIN	
ITEM NO	QTY REQD	DEALER PART NUMBER	X	S	E	EA	ER	C	DESCRIPTION	NOTES
MODEL										
RIGHT FOOTPEG PARTS LIST										



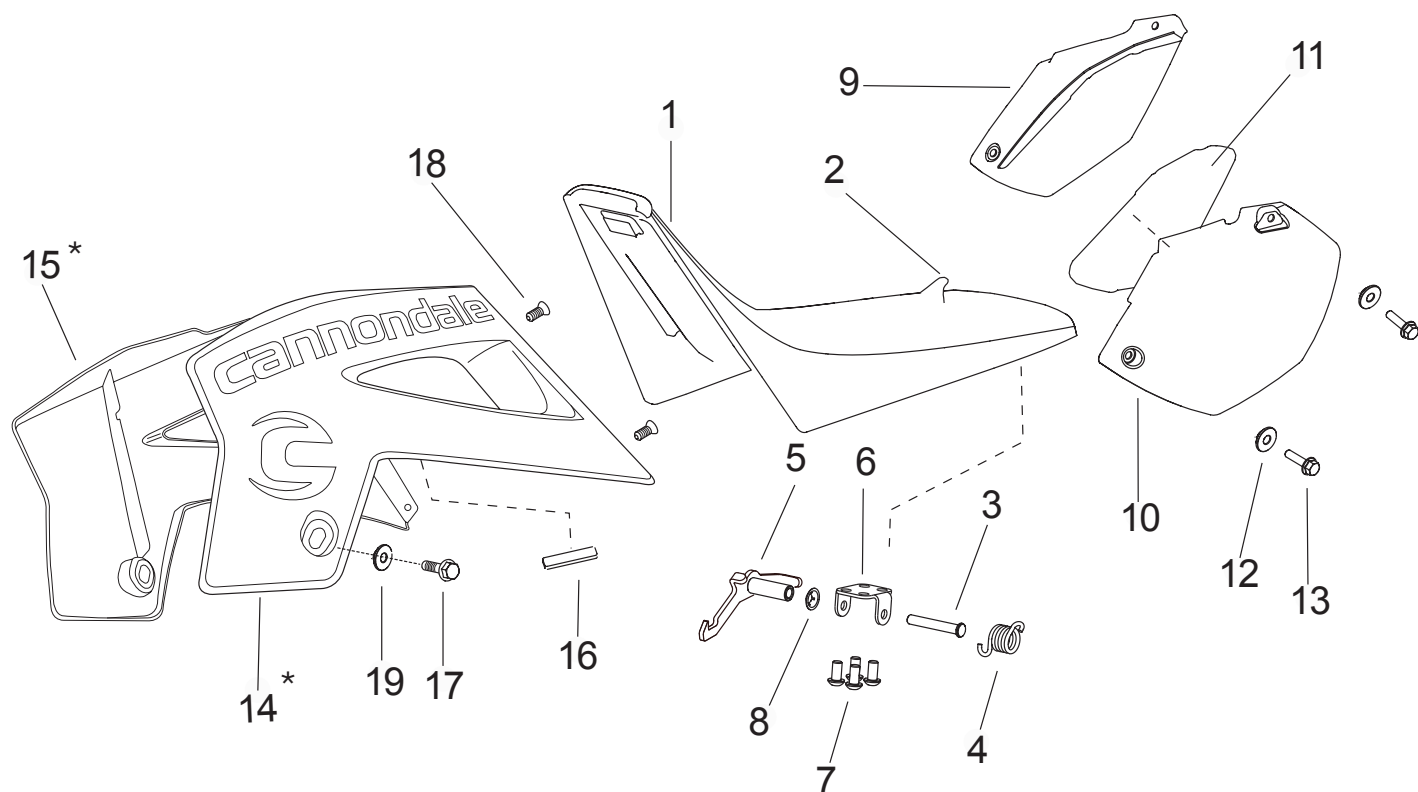
5	1	5001891								KICKSTAND PIVOT BOLT	
4	1	5001892								KICKSTAND TENSION SPRING	
3	1	5001893								NUT, HEX, LOCK, M10	
2	1	5001882-02B								KICKSTAND MOUNT	
1	1	5001882-02A								KICKSTAND LEG	
ITEM NO	QTY REQD	DEALER PART NUMBER	X	S	E	EA	ER	C	DESCRIPTION		NOTES
			MODEL								
KICKSTAND PARTS LIST											



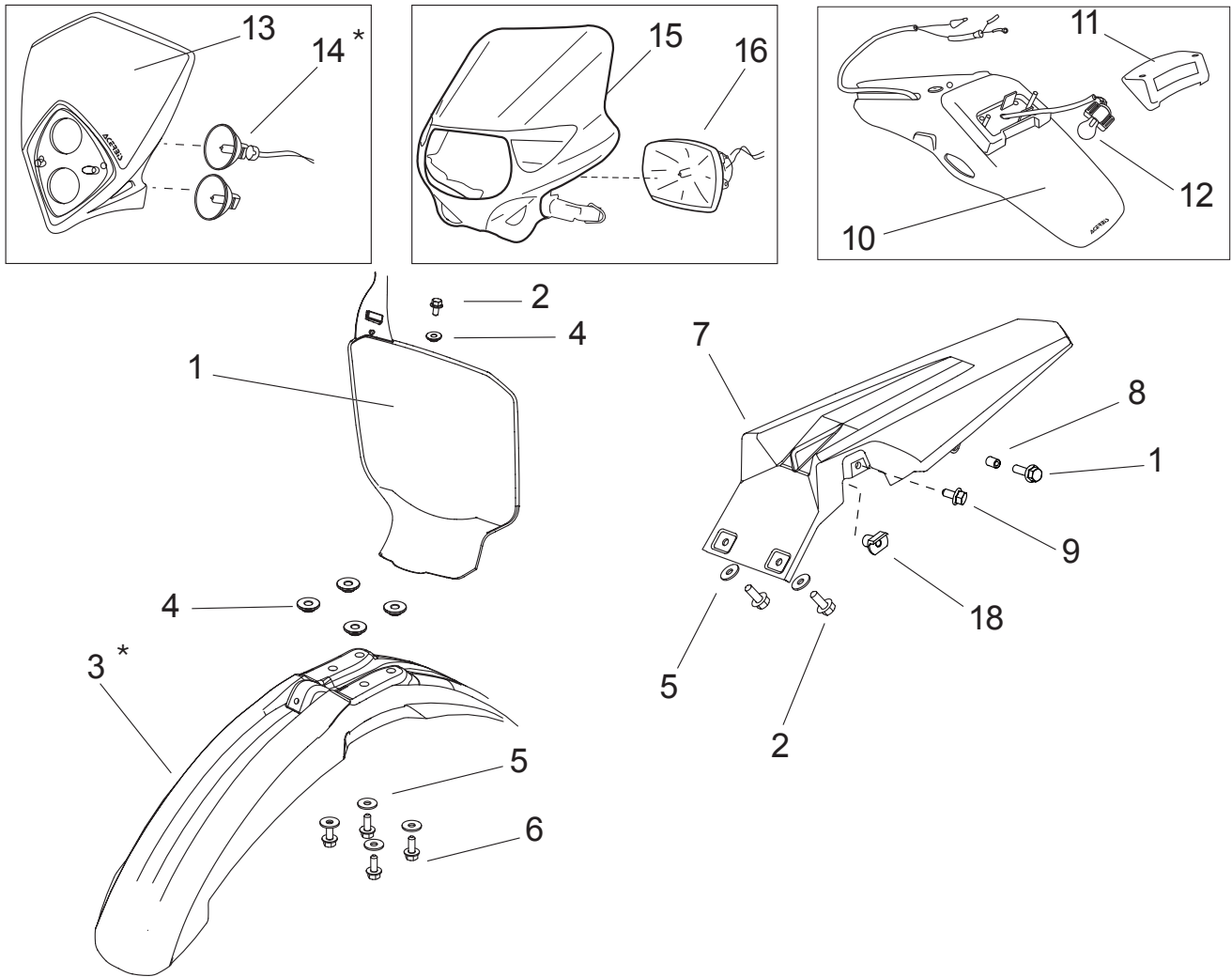
33	1	5000421								HEX HEAD SET SCREW M8X50 mm	
32	4	5000757								SWINGARM PIVOT THRUST WASHER	INCLUDED IN 5000814
31	2	5000755								SWINGARM PIVOT BRNG, INR SPCR	INCLUDED IN 5000814
30	2	5000756								SWINGARM PIVOT NEEDLE BEARING	INCLUDED IN 5000814
29	2	5000758								BEARING, THRUST	INCLUDED IN 5000814
28	2	5000759								SWINGARM PIVOT OUTER SEAL	INCLUDED IN 5000814
27	2	5000754								SWINGARM PIVOT INNER SEAL	INCLUDED IN 5000814
26	4	5001470								TOP-HAT WASHER, BUFFER, M6	
25	1	5000115								DRIVE CHAIN GUIDE BLOCK	
24	1	5000716								WASHER, REAR AXLE	
23	1	5000541								NUT, REAR AXLE	
22	1	5002298								BRAKE LINE GUIDE - FRONT	
21	1	5000088								BRAKE LINE GUIDE - REAR	
20	1	5000231								REAR AXLE BLOCK	
19	1	5000070								AXLE, REAR WHEEL	
18	1	252-5002104								SWINGARM WELDMENT	
17	1	5000114								DRIVE CHAIN GUIDE SHELL	
16	1	5001939								SWINGARM BUFFER	
15	2	5000144								SWINGARM PIVOT OUTER SPACER	
14	2	5000145-04								SWINGARM PIVOT INNER SPACER	
13	1	5000143-07								REAR AXLE ADJUSTER BLOCK	
12	1	5000142-13								SWINGARM PIVOT BOLT	
11	1	5001008								COTTER PIN, 4X36	
10	1	5000439								FLAT WASHER, M14	
*	2	5000862		X						FLANGE-HEAD BOLT, M6X40 - NYLOK	FOR USE w/o CHAIN GUIDE SHELL
9	2	5000423	X		X	X	X	X		FLANGE-HEAD BOLT, M6X50 - NYLOK	
8	1	5001184								FLANGE-HEAD BOLT, M6X12	
7	2	5001957								NUT, HEX FLANGE, M8	
6	2	5000434								NUT, HEX FLANGE, M6	
5	4	5001468								PHILLIPS HD SCREW, M6X16,NYLOK	
4	4	5000726								PHILLIPS HD SCREW, M5X8,NYLOK	
3	1	5000189								THREADED INSERT, M6	INCLUDED IN 252-5002104
2	1	5000152								LOCKNUT, M14 X 1.5	
1	1	5000814								SWINGARM BEARING & SEAL KIT	INCLUDED IN 252-5002104
ITEM NO	QTY REQD	DEALER PART NUMBER	X	S	E	EA	ER	C		DESCRIPTION	NOTES
										SWINGARM PARTS LIST	



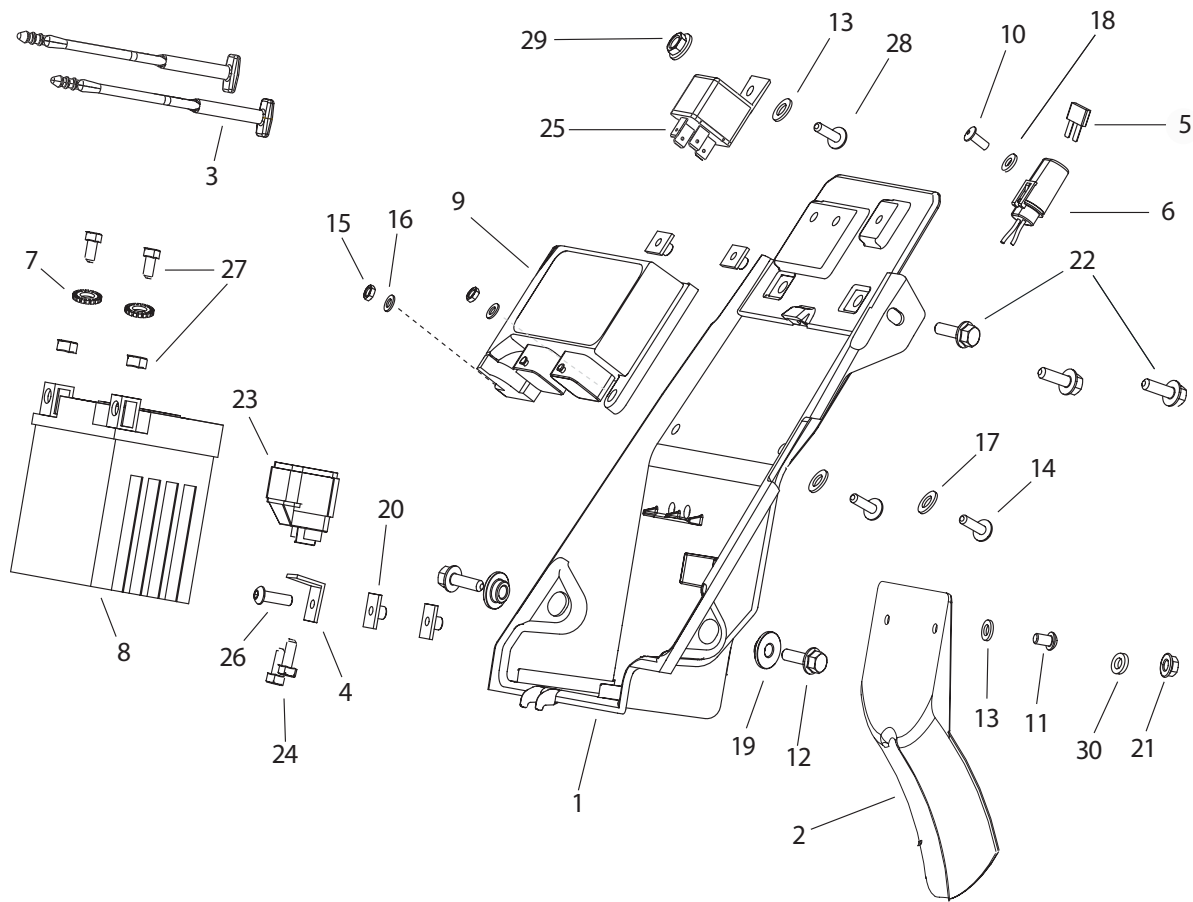
		5002426								RR SHOCK SPG - 90 N/mm	
		5000059								RR SHOCK SPG - 95 N/mm	
		5000060								RR SHOCK SPG - 100 N/mm	
		5000061								RR SHOCK SPG - 105 N/mm	
		5001431								RR SHOCK SPG - 110 N/mm	
		5001432								RR SHOCK SPG - 115 N/mm	
ADDITIONAL PARTS TABLE											
17	1	5002153								FHB, M12X61 mm	
16	1	5002154								FHB, M12X73 mm	
15	2	5002191								FLANGED LOCKNUT, M12	
*	1	5002618							X	REAR SHOCK ABSORBER, CR	
*	1	5002620							X	REAR SHOCK ABSORBER, ER	
*	1	5002622			X		X			REAR SHOCK ABSORBER, E	
*	1	5002524		X						REAR SHOCK ABSORBER, S	
14	1	5002601	X							REAR SHOCK ABSORBER, X	
13	1	5000065								SHOCK SPRING RETAINER	
12	1	SEE TABLE								REAR SHOCK SPRING	
11	1	5001299								SHOCK SPRING SLEEVE	
10	2	5001298								SHOCK SPRING SLEEVE CIRCLIP	
9	1	5001296								SHOCK SPRING SEAT WASHER	
8	1	5000064								SHOCK SPRING SEAT	
7	1	5001295								SHOCK SPG PRELOAD LK RG	
6	1	5001330								RESERVOIR BODY OHLINS DCL	
5	1	5001331								RESERVOIR BODY WRNG DCL	
4	2	5001291								SHOCK MOUNT BEARING	
3	2	5001288								SHOCK MOUNT BEARING CIRCLIP	
2	4	5001289								SHOCK MOUNT BEARING SEAL	
1	4	5002220								SHOCK EYELET BUSHING, 12mm	
ITEM NO	QTY REQD	DEALER PART NUMBER	X	S	E	EA	ER	C	DESCRIPTION		NOTES
REAR SHOCK PARTS LIST											



19	2	5001514								TOP-HAT WASHER	
18	4	5001612								PHILIPS HEAD SCREW, M6X12 mm	
17	2	5000095								FHB, M6X20 mm	
16	2	5000777								ISOLATION STRIP, 55 X 25.4 mm	
*	1	5002091		X						SHROUD, R SLV	
15	1	5002613	X		X	X	X	X		SHROUD, R, SLV, WIDE	
*	1	5002090		X						SHROUD, L SLV	
14	1	5002612	X		X	X	X	X		SHROUD, L, SLV, WIDE	
13	4	5001013								FHB, M6X16 mm	
12	4	5001531								TOP-HAT WASHER	
11	1	5002251								HEAT SHIELD	
10	1	5002089								LEFT NUMBER PANEL - WHITE	
9	1	5002088								RIGHT NUMBER PANEL - WHITE	
8	1	5002229								PUSH NUT, ZINC	
7	4	5000141								BHCS, M6X12 mm	
6	1	5002223								SEAT LATCH MOUNT	
5	1	5002225								SEAT LATCH HOOK	
4	1	5002226								SEAT LATCH SPRING	
3	1	5002227								SEAT LATCH PIN	
*	1	5002609C			X	X				SEAT COVER, BLK/YELLOW	
2	1	5002610C	X	X			X	X		SEAT COVER, BLK/RED	
*	1	5002609			X	X				SEAT ASSEMBLY, BLK/YELLOW	
*	1	5002527		X						SEAT ASSEMBLY, BLK/RED, MOTARD	
1	1	5002610	X				X	X		SEAT ASSEMBLY, BLK/RED	
ITEM NO	QTY REQD	DEALER PART NUMBER	X	S	E	EA	ER	C		DESCRIPTION	NOTES
SEAT & PLASTIC PARTS LIST											

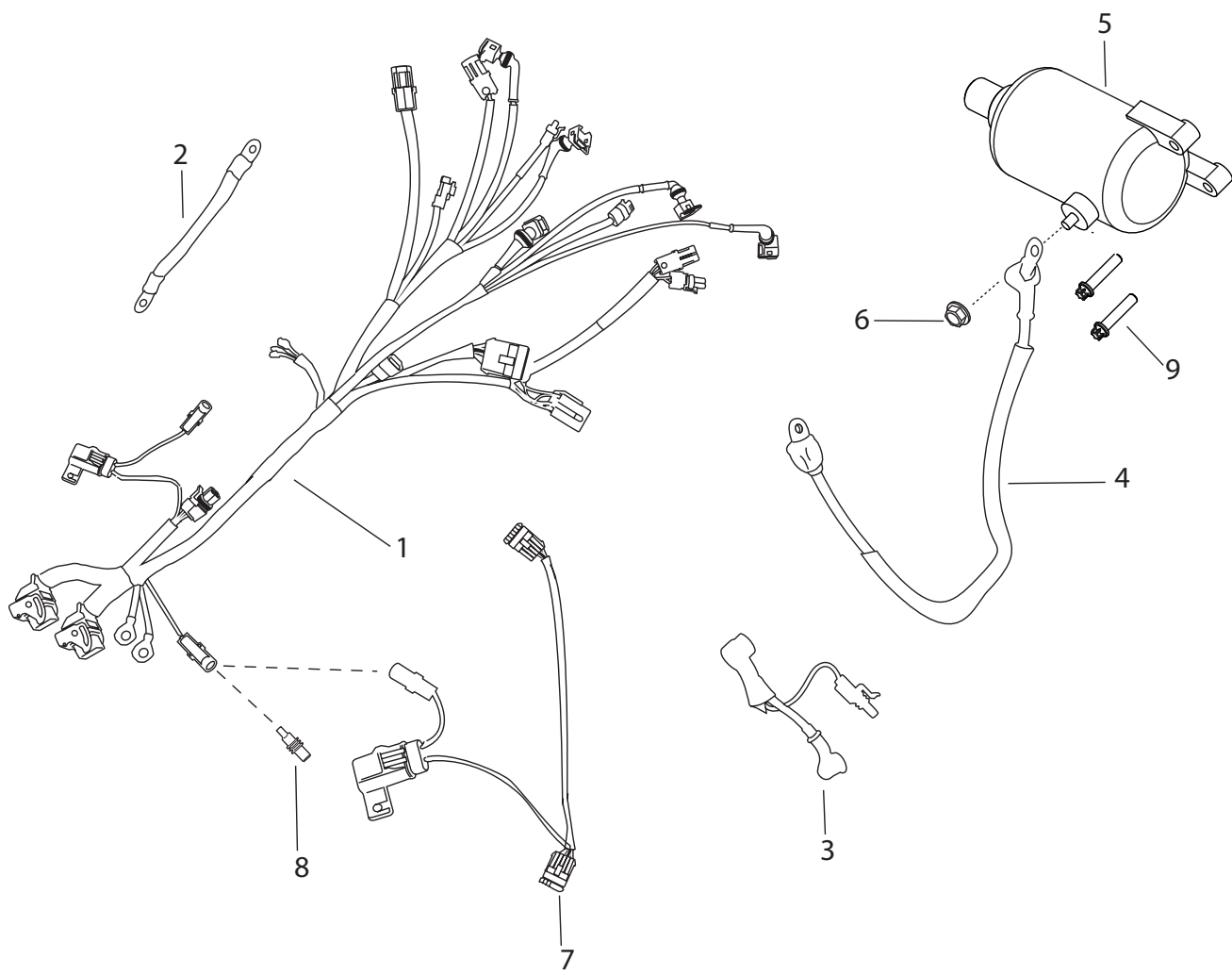


18	2	5001512								FENDER NUT, M6	
17	2	5000095								FLANGE-HEAD BOLT, M6X20 - NYLOK	
16	1	5002453B			X	X				BULB, HEADLIGHT	
15	1	5002453			X	X				HEADLIGHT	
*	2	5002392						X		BULB, HEADLIGHT, 38 DEGREE BEAM	
14	2	5002390						X		BULB, HEADLIGHT, 10 DEGREE BEAM	
13	1	5002212						X		HEADLIGHT	
12	1	5002391								BULB, TAILLIGHT	
11	1	5002393								LENS, TAILLIGHT	
10	1	5002213			X	X	X			TAILLIGHT ASSEMBLY	
9	2	5001013								FLANGE-HEAD BOLT, M6X16 - NYLOK	
8	2	5002292								SPACER, REAR FENDER	
7	1	5002087-01								REAR FENDER, SILVER	
6	4	5001013								FHB, M6X16 mm	
5	6	5000192								FLAT WASHER, M6	
4	5	5001514								TOP-HAT WASHER	
*	1	5002525		X						FRONT FENDER, SILVER, MOTARD	
*	1	5002259			X	X	X			FRONT FENDER, SILVER, E	
3	1	5002093	X						X	FRONT FENDER, SILVER	
2	3	5001184								FHB, M6X12 mm	
1	1	5002092								FRONT NUMBER PLATE - WHITE	
ITEM NO	QTY REQD	DEALER PART NUMBER	X	S	E	EA	ER	C	DESCRIPTION		NOTES
FENDERS & LIGHTS PARTS LIST											



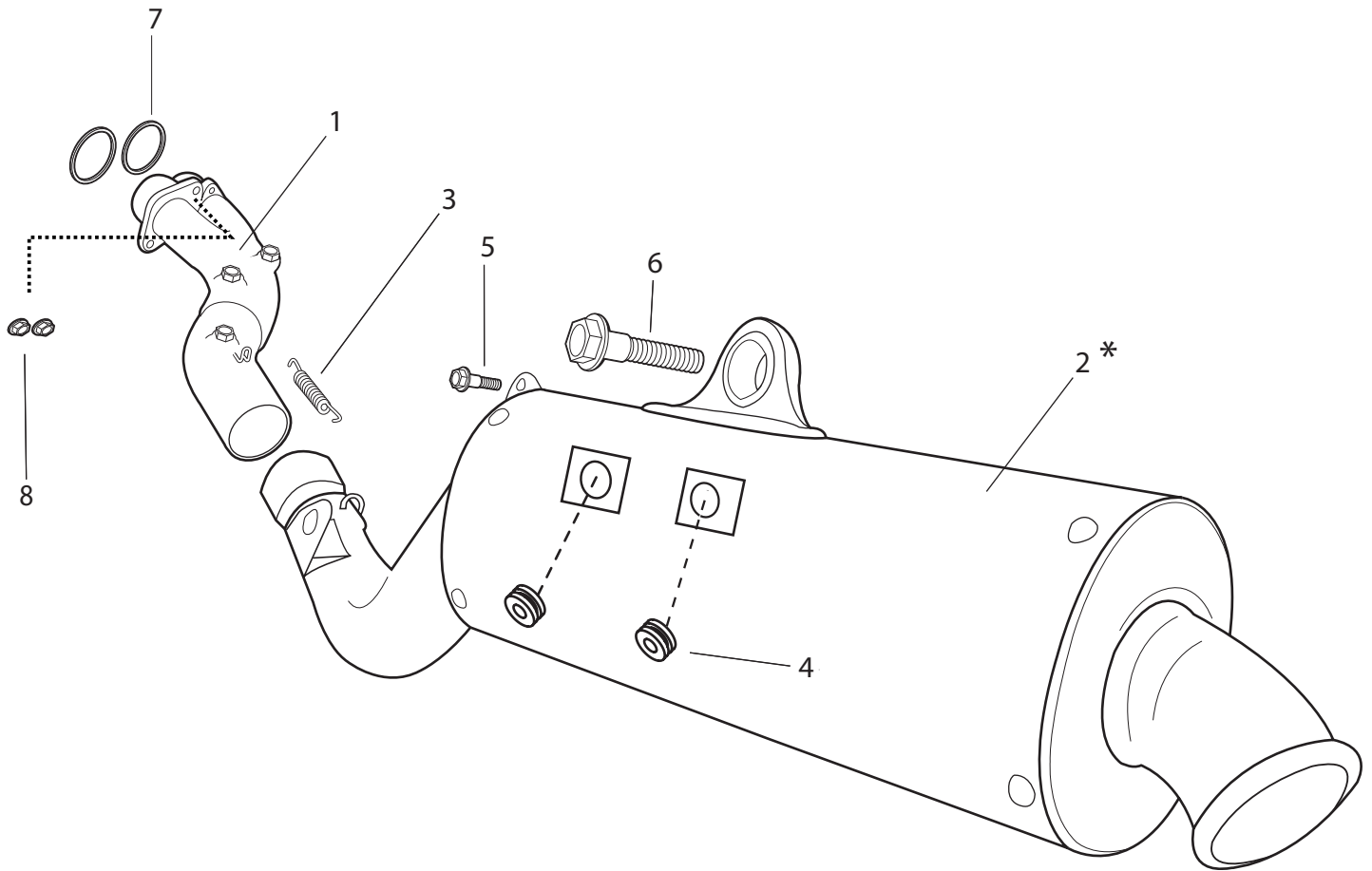
30	1	5001374		X						SPACER, 16X8.4X3.2 mm	
29	1	6000314								NUT, LOCK, M6	
28	1	5001013								FHB, M6X16 mm	
27	1	5002362								BATTERY BOLT/NUT KIT, M/C	
26	1	6000504								BHCS, M6X20 mm, ZINC, NYLOCK	
25	1	5002603								MAIN POWER RELAY	
24	2	5002148								BOLT, M6X12 BRASS	
23	1	5001962-02								STARTER SOLENOID	
22	4	5001184								FHB, M6X12 mm	
21	1	5000434								NUT, HEX FLANGE, M6	
20	4	5001512								FENDER NUT, M6, SQUARE	
19	1	5001514								TOP HAT WASHER	
18	2	5001241								RIVET WASHER	
17	4	5001584								WASHER, M5	
16	2	5001561								WASHER, M5	
15	2	5001562								LOCKNUT, M5	
14	2	5001944								FHB M5X25 mm, ZINC	
13	2	5000192								FLAT WASHER, M6	
12	2	5000095								FHB, M6X20 mm	
11	1	5002268								BHCS, M6X10 mm, ZINC	
10	1	5001240								FUSE HOLDER RIVET	
9	1	472-5001951								ELECTRONIC CONTROL MODULE	SPECIFY MODEL WHEN ORDERING
8	1	5002280								BATTERY	
7	1	5001794								WASHER, LOCK, 10	2 PER PKG
6	1	5001435								FUSE HOLDER	
5	1	5000887								FUSE, 10 AMP	
4	1	5002255								BUS BAR	
3	1	5002217-01								BATTERY STRAP	
2	1	5002267								MUD FLAP	
1	1	5002190-02								BATTERY PLATE	
ITEM NO	QTY REQD	DEALER PART NUMBER	X	S	E	EA	ER	C	DESCRIPTION		NOTES

BATTERY PLATE PARTS LIST

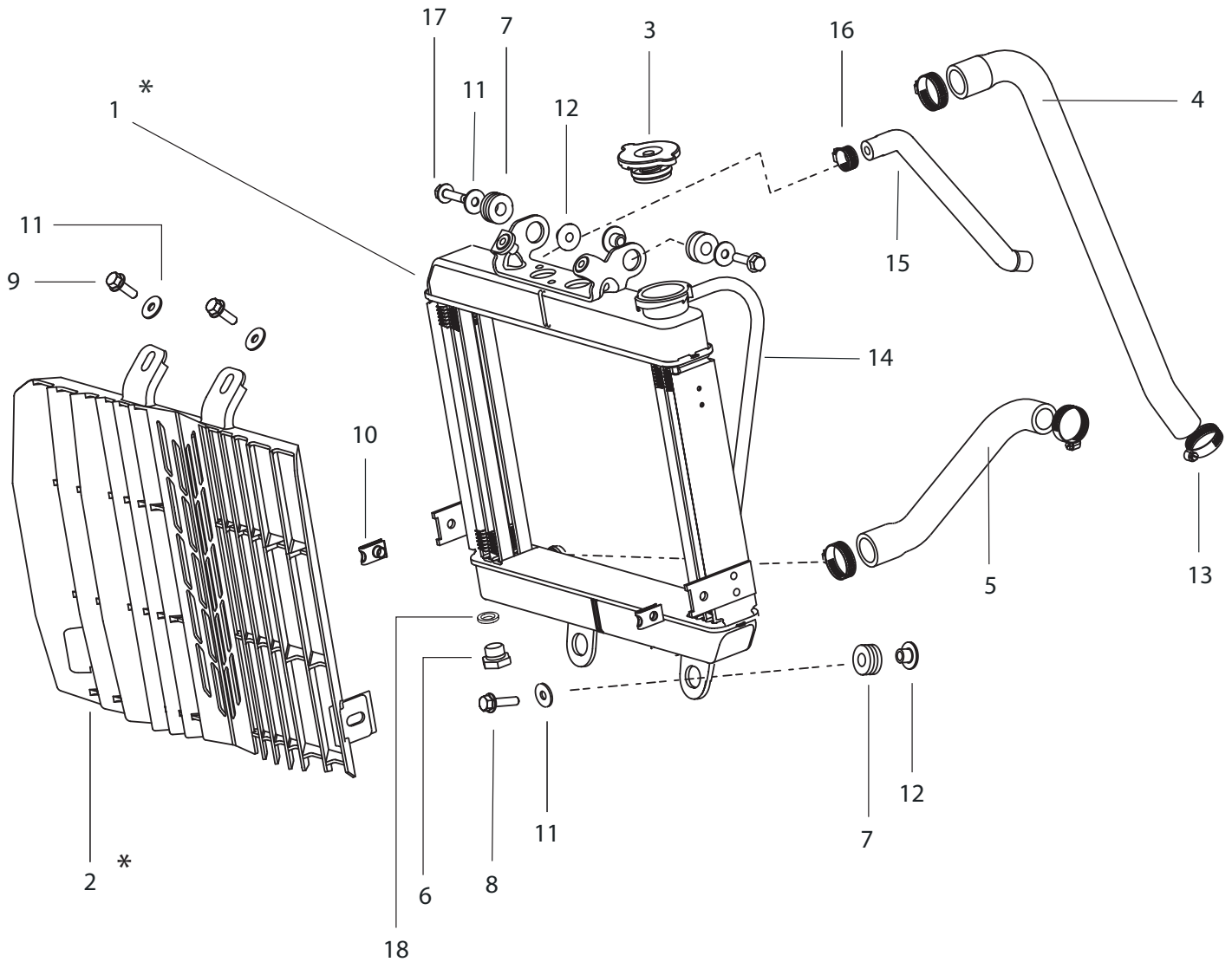


9	2	5001946								FHB M6X30 mm, ZINC		
8	1	5002309	X	X					X	LIGHTING CAP SEAL		
7	1	5002455			X	X	X			HARNESS CONNECTOR, LIGHTING		
6	1	5000434								NUT, HEX FLANGE, M6		
5	1	5000011								STARTER MOTOR 12V 0.65KW		
4	1	5002218								STARTER MOTOR CABLE		
3	1	5002049								POSITIVE BATTERY CABLE		
2	1	5002216								NEGATIVE BATTERY CABLE		
1	1	5002602								MAIN WIRE HARNESS		
ITEM NO	QTY REQD	DEALER PART NUMBER	X	S	E	EA	ER	C		DESCRIPTION	NOTES	
			MODEL									

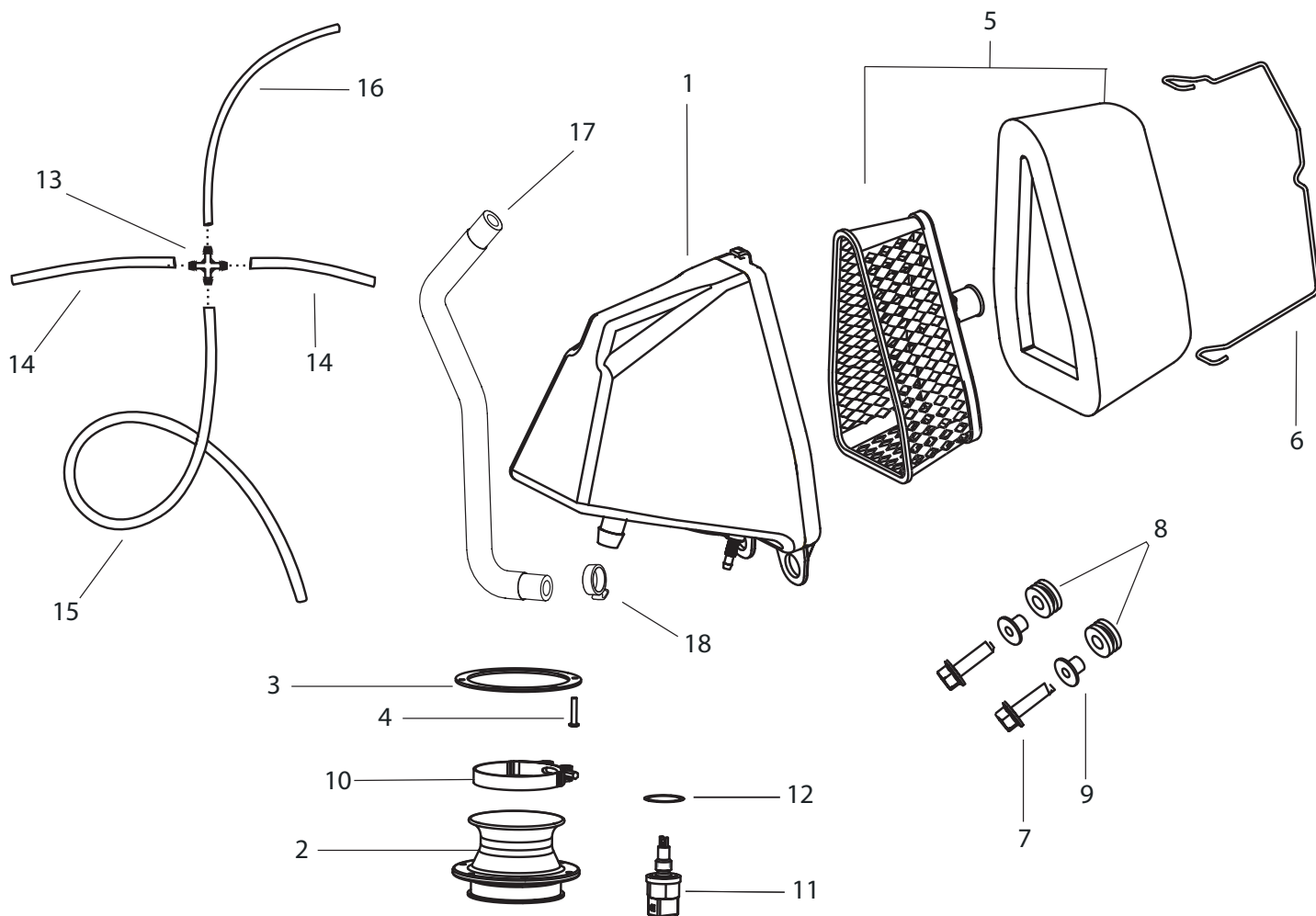
ELECTRICAL PARTS LIST



8	4	5001605									NUT, HEX FLANGE, M6-12PT	
7	2	5001345									EXHAUST CRUSH WASHER	
6	1	5000612									FHB, M8X35 mm	
5	1	5000095									FHB, M6X20 mm	
4	2	5002265									GROMMET, EXHAUST	
3	1	5002209									SPRING, EXHAUST	
*	1	5002082			X	X	X	X			EXHAUST, SILENCER	
2	1	5002242	X	X							EXHAUST, SILENCER	
1	1	5002083									EXHAUST, HEADER PIPE	
ITEM NO	QTY REQD	DEALER PART NUMBER	X	S	E	EA	ER	C	MODEL		DESCRIPTION	NOTES
EXHAUST PARTS LIST												

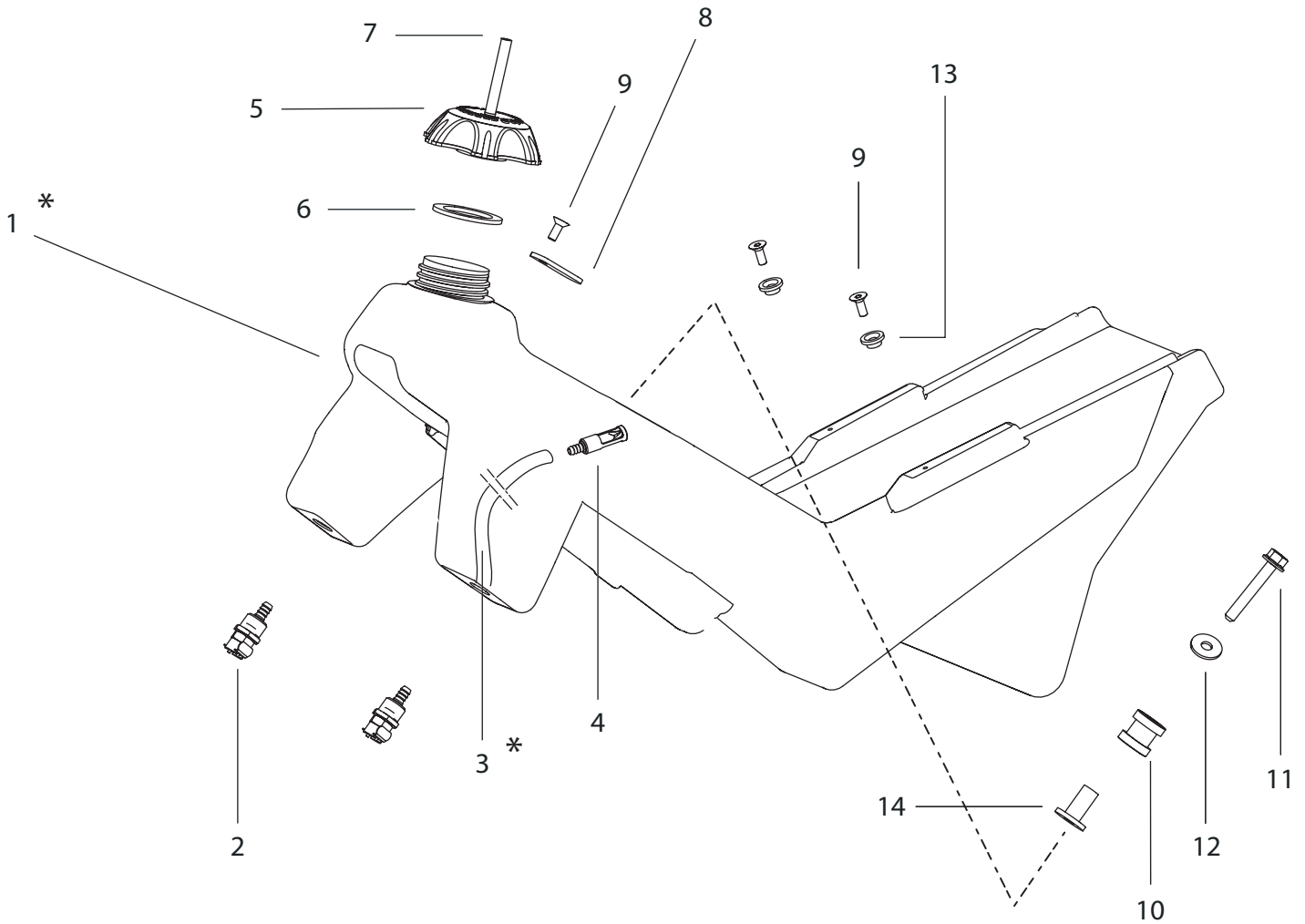


18	1	5000484								O-RING, 2-013	
17	2	5000093								FHB M6X25 mm	
16	1	5000793								HOSE CLAMP, 5.6MM - 16mm	
15	1	5002145-03								HOSE, COOLANT BLEED	
14	1	5002044								RADIATOR OVERFLOW TUBE	
13	4	5000543								HOSE CLAMP, 14-27mm	
12	4	5000719-03								TP-HT WASHER	
11	6	5000192								FLAT WASHER, M6	
10	2	5000323								TINNERMAN CLIP	
9	2	5001184								FLANGE-HEAD BOLT, M6X12 - NYLOK	
8	2	5000350								FHB, M6X25 mm	
7	4	5000178								GROMMET, 3/8 ID	
6	1	5001511								RADIATOR DRAIN PLUG	
5	1	5002147								COOLANT HOSE, RAD TO WATER PUMP	
4	1	5002146								COOLANT HOSE, RAD TO OUTLET CVR	
3	1	5000542								RADIATOR CAP	
*	1	5002079		X						RADIATOR GUARD	
2	1	5002611	X		X	X	X	X		RADIATOR GUARD, WIDE	
*	1	401-5002080		X						RADIATOR	
1	1	401-5002347	X		X	X	X	X		RADIATOR, WIDE	
ITEM NO	QTY REQD	DEALER PART NUMBER	X	S	E	EA	ER	C	DESCRIPTION		NOTES
RADIATOR PARTS LIST											

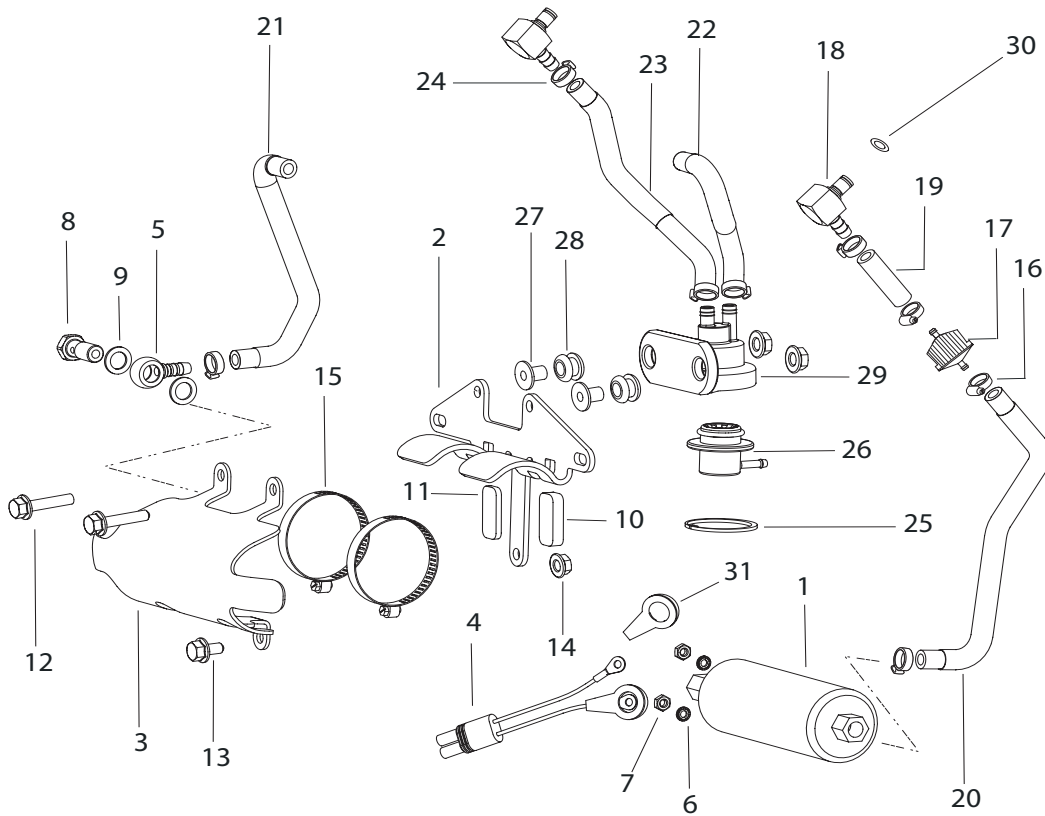


18	1	5000793									HOSE CLAMP, 5.6mm - 16mm	
17	1	5002331									HOSE, BREATHER, FRAME TO AIRBOX	
16	1	5001922									VACUUM HOSE, 5/32" ID 265 mm	TO PRESSURE REGULATOR
15	1	5001595									VACUUM HOSE, 5/32" ID 609 mm	TO ECU
14	2	5000962									VACUUM HOSE, 5/32" ID 185 mm	(1) TO ENGINE & (1) TO AIRBOX
13	1	5002529									4-WAY FITTING, VACUUM HOSE	
12	1	5000487									O-RING, 2-012	
11	1	5000403									AIR TEMPERATURE SENSOR	
10	1	5001149									CLAMP, BAND	
9	2	5002293									TOPHAT, AIRBOX	
8	2	5000178									GROMMET, 3/8 ID	
7	2	5000350									FHB, M6X30, mm	
6	1	5002152									AIR FILTER CLIP	
5	1	5002150									AIR FILTER	
4	6	5001238									RIVET AB4-6CLD	INCLUDED IN 603-5002149-03
3	2	5001239									INTAKE END RETAINING RING	INCLUDED IN 603-5002149-03
2	1	5002138									AIR FUNNEL	INCLUDED IN 603-5002149-03
1	1	603-5002149-03									AIRBOX	
ITEM NO	QTY REQD	DEALER PART NUMBER	X	S	E	EA	ER	C	DESCRIPTION			NOTES

AIRBOX PARTS LIST

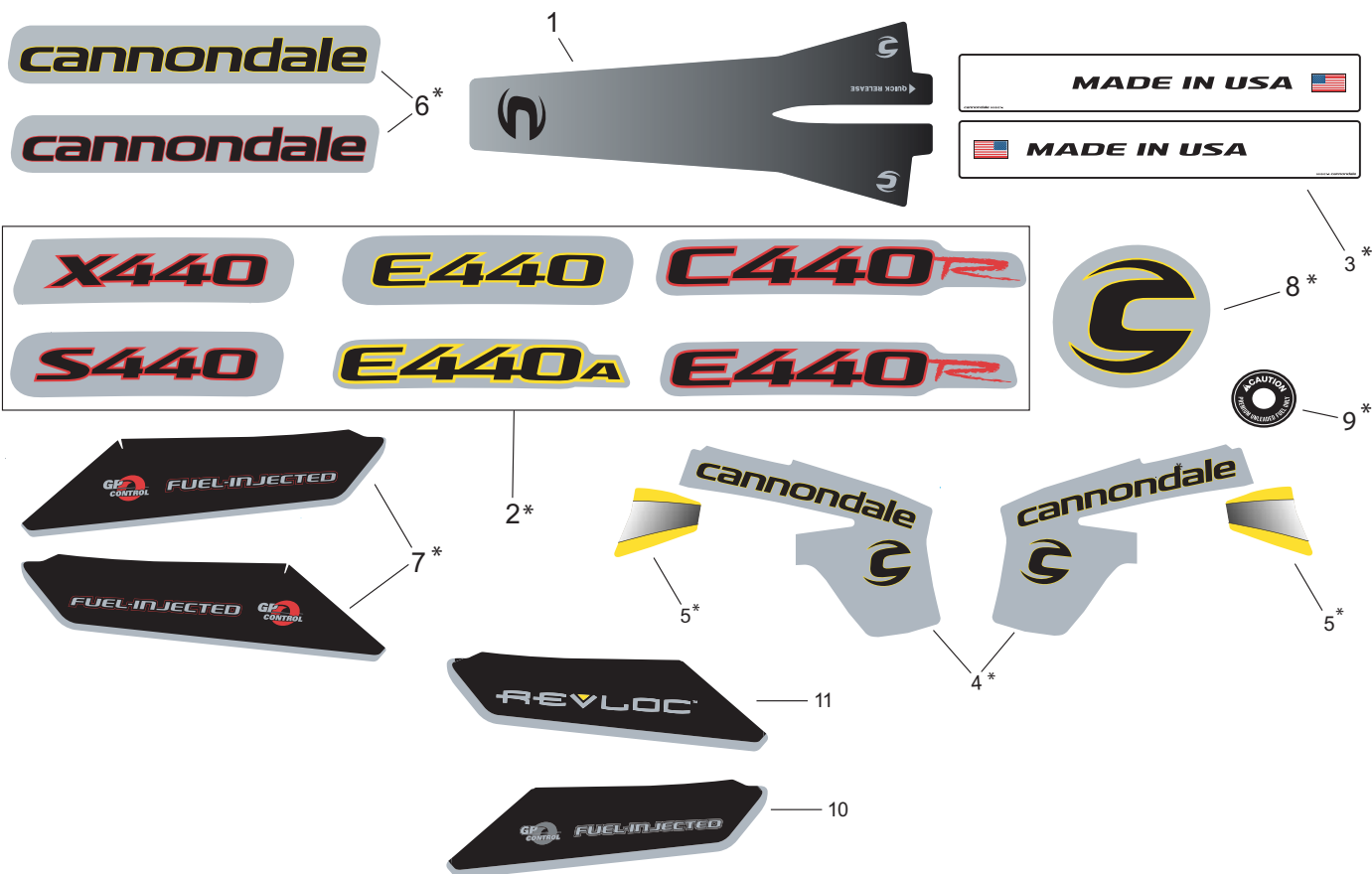


14	2	5000799								TOP-HAT WASHER, FUEL TANK TAB	
13	2	5000765								TOP-HAT WASHER	
12	4	5000192								FLAT WASHER, M6	
11	2	5000862								FLNG HD BLT, M6X40 mm	
10	2	5000802								GROMMET, FUEL TANK	
9	3	5000137								FHCS, M6X16 ZINC	
8	1	5002398								SEAT CATCH	
7	1	5000175								FUEL TANK BREATHER HOSE	
6	1	5000873								FUEL TANK CAP GASKET	
5	1	5000169-01								FUEL TANK CAP	
4	1	5001778								FUEL PICKUP FILTER	INCLUDED IN FUEL TANK
*	1	5002270			X	X	X			FUEL PICKUP TUBE	INCLUDED IN FUEL TANK
3	1	5002417	X	X						FUEL PICKUP TUBE	INCLUDED IN FUEL TANK
2	2	5002140-02								FUEL TANK FEMALE QUICK CONNECT	INCLUDED IN FUEL TANK
*	1	351-5002074			X	X	X			FUEL TANK	
1	1	351-5002244	X	X						FUEL TANK	
ITEM NO	QTY REQD	DEALER PART NUMBER	X	S	E	EA	ER	C		DESCRIPTION	NOTES
									MODEL		
FUEL TANK PARTS LIST											



31	2	5002410								INSULATING BOOT	
30	1	5001137								O-RING, 008	MALE FUEL FITTING
29	1	5001544								FUEL REGULATOR HOUSING - PLASTIC	
28	2	5001578								GROMMET, FUEL REGULATOR	
27	2	5001579								TOP-HAT WASHER	
26	1	5000395								FUEL PRESSURE REGULATOR	
25	1	5000836								INTERNAL RETAINING RING, 36mm	
24	6	5001607								OETIKER HOSE CLAMP, 12.3mm	
23	1	5002205-05								HOSE, FUEL, REGULATOR TO TANK	
22	1	5002204-05								HOSE, FUEL, INJECTOR TO REGULATOR	
21	1	5002203-05								HOSE, FUEL, PUMP TO INJECTOR	
20	1	5002202-05								HOSE, FUEL, FILTER TO PUMP	
19	1	5002201-02								HOSE, FUEL, TANK TO FILTER	
18	2	5002141-02								FUEL TANK MALE BARBED INLET	
17	1	5000544								FUEL FILTER	
16	2	5000793								HOSE CLAMP, 5.6-16 mm	
15	2	5001789								HOSE CLAMP, 37-51 mm	
14	3	5000434								NUT, HEX FLANGE, M6	
13	1	5001184								FLANGE-HEAD BOLT, M6X12 - NYLOK	
12	2	5000093								FLANGE-HEAD BOLT, M6X25 - NYLOK	
11	1	5002327								ISOLATION STRIP, 6.4X30 mm	
10	1	5002328								ISOLATION STRIP, 3.2X30 mm	
9	4	5001549								WASHER, CRUSH, ALUMINUM	
8	2	5001502								BANJO BOLT	
7	2	5001641								NUT, HEX, 6-32	
6	2	5001642								WASHER, SERRATED, NO. 6 ZINC	
5	2	5001501								BANJO FITTING	
4	1	5002604								FUEL PUMP PIGTAIL	
3	1	5002124								FUEL PUMP GUARD	
2	1	5002075								FUEL PUMP MOUNT	
1	1	5000168								FUEL PUMP	
ITEM NO	QTY REQD	DEALER PART NUMBER	X	S	E	EA	ER	C		DESCRIPTION	NOTES

FUEL SYSTEM PARTS LIST



11	1	5002626-R				X				DCL, E440A GP, NMBR PLT, REV/LOC		
10	1	5002627				X				DCL, E440A GP, NMBR PLT, BLK, R		
9	1	5002238								DCL, PREM FUEL		
*		5002646			X	X				DCL, C LOGO, BLK/YEL		
8		5002633	X				X	X		DCL, C LOGO, BLK/RED		
*	1	5002625								DCL, GP, NMBR PLT, BLK, L		
7	1	5002626								DCL, GP, NMBR PLT, BLK, R		
*	1	5002645			X	X				DCL, CDALE, FK GRD, BLK/YEL		
6	1	5002632	X	X			X	X		DCL, CDALE, FK GRD, BLK, SET		
*	1	5002643			X	X				DCL, SHROUD FADE, YEL, L		
*	1	5002644			X	X				DCL, SHROUD FADE, YEL, R		
*	1	5002630	X	X			X	X		DCL, SHROUD FADE, L		
5		5002631	X	X			X	X		DCL, SHROUD FADE, R		
*	1	5002641			X	X				DCL, CDALE/C, BLK/YEL, L, SET		
*	1	5002642			X	X				DCL, CDALE/C, BLK/YEL, R, SET		
*	1	5002636		X						DCL, CDALE/C, BLK, S440, L, SET		
*	1	5002637		X						DCL, CDALE/C, BLK, S440, R, SET		
*	1	5002628	X				X	X		DCL, CDALE/C, BLK, L, SET		
4	1	5002629	X				X	X		DCL, CDALE/C, BLK, R, SET		
*	1	5002634								DCL, CDALE/FLAG, SWINGARM L		
3	1	5002635								DCL, CDALE/FLAG, SWINGARM R		
*	1	5002649						X		DCL, C440R, RR FDR, BLK/RED		
*	1	5002648					X			DCL, E440R, RR FDR, BLK/RED		
*	1	5002647				X				DCL, E440A, RR FDR, BLK/YEL		
*	1	5002640			X					DCL, E440, RR FDR, BLK/YEL		
*	2	5002531		X						DCL, S440, RR FDR, BLK		
2	2	5002623	X							DCL, X440, RR FDR, BLK/RED		
1	1	5002624								DCL, GRAPHIC, RR FDR		
ITEM NO	QTY REQD	DEALER PART NUMBER	X	S	E	EA	ER	C		DESCRIPTION	NOTES	
			MODEL									

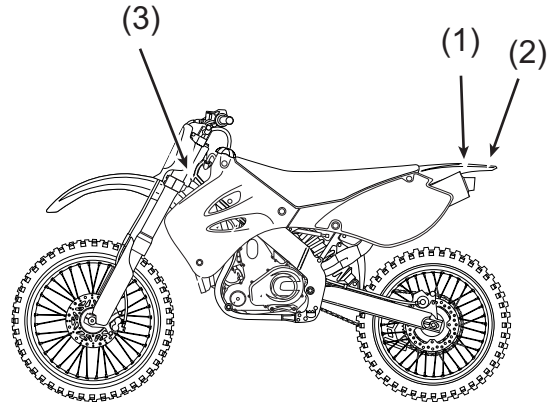
DECALS PARTS LIST

(1)

WARNING

- BEFORE OPERATING THIS VEHICLE, READ THE OWNER'S MANUAL AND ALL SAFETY LABELS.
- NEVER CARRY A PASSENGER. Risk of losing control increases if you carry a passenger. Personal injury or death may result.
- NEVER OPERATE THIS VEHICLE ON PUBLIC ROADS. Personal injury or death may occur from a collision with another vehicle on the road.
- ALWAYS WEAR AN APPROVED HELMET WHEN OPERATING THIS VEHICLE. Eye protection and protective clothing are also recommended to avoid personal injury.
- EXPERIENCED RIDERS ONLY.

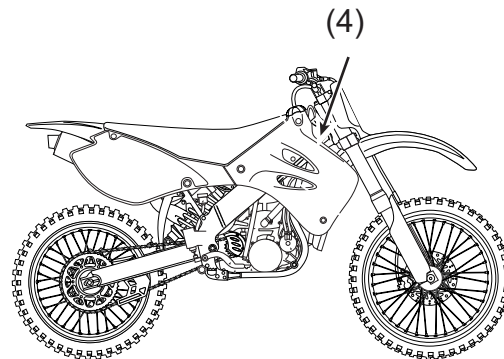
315-5000266-01



(2)

DISCLAIMER: In accepting delivery of this vehicle, the buyer or transferee acknowledges that he has thoroughly inspected the vehicle and further agrees to accept the vehicle as is with all defects or faults, concealed or obvious. He further agrees that no warranties attach, express or implied, including any warranty of merchantability or fitness for any particular purposes. The buyer or transferee indemnifies and holds harmless Cannondale, its agents and employees for any failure of performance, cost of service, or repair. The buyer further acknowledges that this vehicle is not intended for use on public streets, roads, highways, or trails under public jurisdiction and that use on such may violate state and federal law.

315-5001262-01



(3)

THIS MOTORCYCLE IS DESIGNED FOR CLOSED COURSE COMPETITION USE ONLY. IT DOES NOT CONFORM TO U.S. EPA MOTORCYCLE NOISE STANDARDS.

5000418

(4)

Mfd. by **Cannondale Corporation**

This vehicle is designed and manufactured for competition use only. It does not conform to Federal Motor Vehicle Safety Standards and operation on public streets, roads, and highways is illegal. State laws prohibit operation of this vehicle except in an organized racing or competitive event upon a closed course which is conducted under the auspices of a recognized sanctioning body or by permit issued by the local governmental authority having jurisdiction. First determine that operation is legal.

U.S. and International patents pending.
Type: **Motorcycle**

WARNING

- Heat treated aluminum frame.
- Welding, drilling, or modifying in any way may cause failure that could result in loss of control and cause serious injury or death. Inspect frame periodically for cracks.

DO NOT RIDE OR REPAIR A CRACKED FRAME.

5001371-01

* - Any replacement warning label can be obtained by vehicle owner's free of charge by calling 1-800-MOTO-USA.

4	1	5001371-01								WRN, FRAME	
3	1	5000418								DECAL, USE	
2	1	5001262-01								DECAL, DISCLAIM	
1	1	5000266-01								WRN, MULTI	
ITEM NO	QTY REQD	DEALER PART NUMBER	X	S	E	EA	ER	C		DESCRIPTION	NOTES
									WARNINGS PARTS LIST		

Free Manuals Download Website

<http://myh66.com>

<http://usermanuals.us>

<http://www.somanuals.com>

<http://www.4manuals.cc>

<http://www.manual-lib.com>

<http://www.404manual.com>

<http://www.luxmanual.com>

<http://aubethermostatmanual.com>

Golf course search by state

<http://golfingnear.com>

Email search by domain

<http://emailbydomain.com>

Auto manuals search

<http://auto.somanuals.com>

TV manuals search

<http://tv.somanuals.com>