

# Canon imageCLASS® MF7470

DUPLEX COPIER | LASER PRINTER | COLOR NETWORK SCANNER  
SUPER G3 FAX | NETWORK CAPABILITIES



## A Laser Multifunction for a Small Office

- Up to 25 pages-per-minute laser output
- Duplex versatility — automatic two-sided copying, printing, faxing, and color network scanning
- 11" x 17" platen
- 1/4 VGA Touch Screen Panel
- PCL 5e/6 language support
- Built-in Ethernet port for printing, PC faxing, and color network scanning
- 33.6 Kbps Super G3 fax with up to 1,000 pages of reception memory<sup>1</sup>
- 2 x 250-sheet cassettes plus 80-sheet multipurpose tray
- 50-sheet Automatic Document Feeder<sup>2</sup>
- USB 2.0 Hi-Speed<sup>3</sup> for optimal performance
- Single Cartridge System

## Product Specifications

### Copier Specifications

<b>Duplex Copy/Bind Type</b> . . . . .	1 to 1, 2 to 1, 2 to 2/Book, Calendar
<b>Copier Type</b> . . . . .	Desktop, Monochrome Laser
<b>Copy Speed</b> (sheets per minute) . . . . .	Up to 25 cpm (A4)
<b>Copy Resolution</b> . . . . .	Up to 600 x 600 dpi; 1200 x 600 dpi quality
<b>Halftones</b> . . . . .	256 levels
<b>Warm-up Time</b> . . . . .	26 seconds from Power ON
<b>First Copy Time</b> . . . . .	6.9 seconds
<b>Paper Source(s)</b> . . . . .	2 x 250-sheet cassettes plus 80-sheet multipurpose tray
<b>Paper Weight</b> . . . . .	18 to 24 lb. (cassette); 18 to 32 lb. (multipurpose tray)
<b>Paper Output</b> . . . . .	Up to 250 sheets (face down)
<b>Reduction/Enlargement</b> . . . . .	50%, 64%, 73%, 78%/121%, 129%, 200%
<b>Zoom</b> . . . . .	50% - 200% in 1% increments
<b>Document Feeder</b> . . . . .	50-sheet <sup>2</sup>
<b>Copy Size</b> . . . . .	Platen: Up to 11.75" x 17"; ADF: Up to 11" x 17"
<b>Copy Features</b> . . . . .	2 in 1, 4 in 1, Collate
<b>Copy Memory</b> . . . . .	256MB (shared)

### Printer Specifications

<b>Duplex Print</b> . . . . .	Yes
<b>Printer Type</b> . . . . .	Monochrome Laser
<b>Print Speed</b> (sheets per minute) . . . . .	Up to 25 ppm (A4)
<b>Print Resolution</b> . . . . .	Up to 1200 x 1200 dpi; 1200 x 1200 dpi quality
<b>Print Language(s)</b> . . . . .	PCL5e, PCL6, and Canon UFR II-LT
<b>Print Memory</b> . . . . .	256MB (shared)
<b>System Memory</b> (on board) . . . . .	256MB (shared)

### Network Scan Specifications

<b>Duplex Scan</b> . . . . .	Yes
<b>Scanner Type</b> . . . . .	Color Contact Image Sensor (CIS)
<b>Scan Resolution</b> . . . . .	Up to 300 x 300 dpi
<b>Color Depth</b> . . . . .	24-bit
<b>Document Size</b> . . . . .	Platen: Up to 11.75" x 17"; ADF: Up to 11" x 17"
<b>Output File Formats</b> . . . . .	JPEG, PDF, TIFF

### Fax/PC Fax Specifications

<b>Duplex Fax</b> . . . . .	Yes (transmission/reception)
<b>Modem Speed</b> . . . . .	Up to 33.6 Kbps (Super G3)
<b>Fax Resolution</b> . . . . .	Up to 203 x 391 dpi (super fine)
<b>Memory Capacity</b> . . . . .	Up to 1,000 pages
<b>Speed Dials</b> . . . . .	200 one-touch/300 coded dials
<b>Receive Modes</b> . . . . .	Fax only, Manual, Answering
<b>Fax Features</b> . . . . .	Relay, Delayed TX, Dual Access
<b>Memory Backup</b> . . . . .	Yes (1 hour)

### Interface/Software

<b>Standard Interface(s)</b> . . . . .	USB 2.0 Hi-Speed <sup>3</sup> ; Internal Ethernet (10/100 Base T)
<b>Network Functions</b> . . . . .	Print, PC Fax and Scan
<b>Bundled Software</b> . . . . .	Canon Printer Driver, Remote UI, NetSPOT Device Installer, NetSPOT Console
<b>OS Compatibility</b> . . . . .	Windows® Vista™, XP, 2000, Me, 98 and Mac® OS X 10.2.8 & up

### General Specifications

<b>Dimensions</b> . . . . .	24.5"(W) x 26.3"(D) x 29.8"(H);
<b>Weight</b> . . . . .	128 lbs.
<b>Power Consumption</b> . . . . .	1,425W (max), 3.5W (Energy Saver Mode)
<b>Replacement Consumable</b> . . . . .	Canon Cartridge 105
<b>Warranty</b> . . . . .	1 year limited warranty with on-site service <sup>4</sup> (Extended warranty available)

Features and specifications are subject to change without notice.

<sup>1</sup> Based on ITU-T #1 Chart (standard mode).

<sup>2</sup> Based on 20 lb. paper.

<sup>3</sup> USB 2.0 Hi-Speed performance requires Windows®XP Service Pack 1 or Windows®2000 Service Pack 4 with pre-installed USB 2.0 port.

<sup>4</sup> Warranty program is subject to certain conditions and restrictions. See the warranty card for full details.E





**Canon**  
image*ANYWARE*

# Canon imageCLASS® MF7470

DUPLEX COPIER | LASER PRINTER | COLOR NETWORK SCANNER  
SUPER G3 FAX | NETWORK CAPABILITIES



## Ordering Information

MODEL NO.	DESCRIPTION	ITEM NO.	UPC CODE
imageCLASS® MF7470	Duplex Copier   Laser Printer Color Network Scanner Super G3 Fax   Network Capabilities	2237B007AA	 0 13803 08631 7
<b>ACCESSORIES</b>			
Cartridge 105 (yields 10,000 pages based on 5% coverage)	Toner Cartridge	0265B001AA	 0 13803 05715 7
imageCLASS®MF7400 Cabinet	Cabinet	5709A010AA	 6 60685 00392 7
imageCLASS® MF7470 Carepak	2 Year On-Site Carepak	6521A035AA	 6 60685 00384 2

## Pallet Information

### ORIGIN

Country of origin ..... China

### PRODUCT INFORMATION

Individual unit dimensions (w/attachments) . . . . . 24.5"(W) x 26.3"(D) x 29.8"(H)  
Weight of individual box (pallet and box)\* . . . . . 160 lbs.  
Weight of individual unit (w/attachments) . . . . . 128 lbs.

### PALLET INFORMATION

Number of boxes per pallet . . . . . 1  
Pallet dimensions (pallet and box)\* . . . . . 29.8"(W) x 33.5"(D) x 38.9"(H)  
Pallet weight (pallet and box)\* . . . . . 160 lbs.

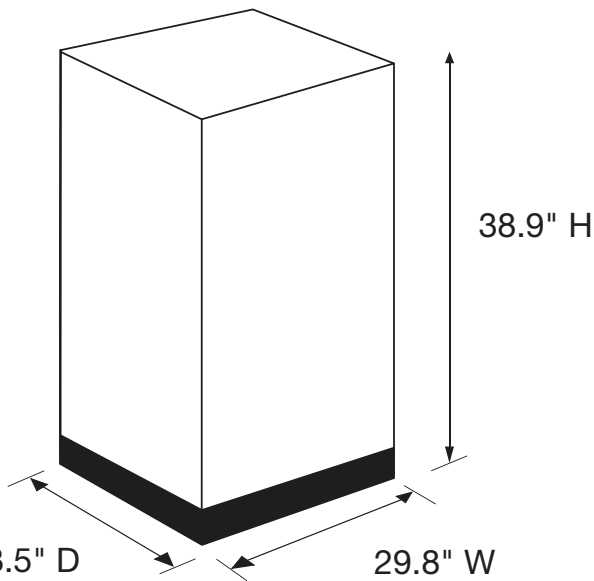
### DATES

Availability . . . . . December 2007

### WHAT'S IN THE BOX

MF7470	Cartridge 105
Setup Instructions	Manuals
Canon Drivers	NetSPOT Device Installer
NetSPOT Console	Power Cord
RJ-11 Fax Cord	Warranty Card
Registration Card	

\* Pallet and box are attached, not two separate units.



**1 box per pallet**



## Free Manuals Download Website

<http://myh66.com>

<http://usermanuals.us>

<http://www.somanuals.com>

<http://www.4manuals.cc>

<http://www.manual-lib.com>

<http://www.404manual.com>

<http://www.luxmanual.com>

<http://aubethermostatmanual.com>

Golf course search by state

<http://golfingnear.com>

Email search by domain

<http://emailbydomain.com>

Auto manuals search

<http://auto.somanuals.com>

TV manuals search

<http://tv.somanuals.com>