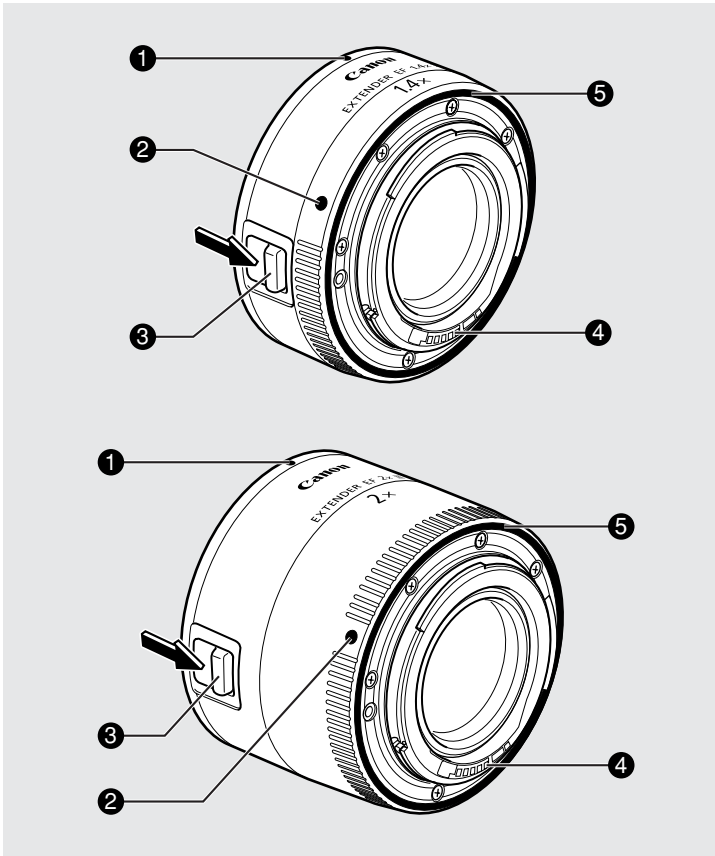


ENG Extender EF1.4X III/ EF2X III



- ① Lens mount index (on lens)
- ② Lens mount index (on camera)
- ③ Lens release lever
- ④ Contacts
- ⑤ Rubber ring

Thank you for purchasing a Canon product.
The high-performance Canon Extender EF1.4X III and Extender EF2X III increase the focal length of the attached EF lens by 1.4X and 2X respectively.

⚠ Safety Precautions

- Do not look at the sun or a bright light source through the lens with the extender attached, or with a camera with the extender and lens attached. Doing so could result in visual impairment. In particular, never look at the sun directly through the lens with the extender attached, because that could result in loss of vision.
- Do not leave the lens with the extender attached, or a camera with the extender and lens attached in the sun without the lens cap on. That may result in concentrating the sun's rays, causing a fire.
- Do not leave the extender in excessive heat such as in a car in direct sunlight. High temperatures can cause the extender to malfunction.

This device complies with Part 15 of the FCC Rules. Operation is subject to the following two conditions: (1) This device may not cause harmful interference, and (2) this device must accept any interference received, including interference that may cause undesired operation.

Do not make any changes or modifications to the equipment unless otherwise specified in the instructions. If such changes or modifications should be made, you could be required to stop operation of the equipment. This equipment has been tested and found to comply with the limits for a class B digital device, pursuant to part 15 of the FCC Rules. These limits are designed to provide reasonable protection against harmful interference in a residential installation. This equipment generates, uses and can radiate radio frequency energy and, if not installed and used in accordance with the instructions, may cause harmful interference to radio communications.

However, there is no guarantee that interference will not occur in a particular installation. If this equipment does cause harmful interference to radio or television reception, which can be determined by turning the equipment off and on, the user is encouraged to try to correct the interference by one or more of the following measures:

- Reorient or relocate the receiving antenna.
- Increase the separation between the equipment and receiver.
- Consult the dealer or an experienced radio/TV technician for help.

This Class B digital apparatus complies with Canadian ICES-003.

Mounting and dismounting the Extender

First attach the Extender to the lens, then attach it to the camera. To detach it, follow the same procedure in reverse.

To detach the Extender from the lens, slide the lens release lever as shown by the arrow, then turn the Extender counterclockwise.

Usable lenses:

Lens	Focal Length & Maximum Aperture	
	EF1.4X III	EF2X III
EF135mm f/2L USM	189mm f/2.8	270mm f/4
EF180mm f/3.5L Macro USM	252mm f/4.5	360mm f/6.7
EF200mm f/2.8L USM	280mm f/4	400mm f/5.6
EF200mm f/2.8L II USM	280mm f/4	400mm f/5.6
EF200mm f/1.8L USM *	280mm f/2.5	400mm f/3.5
EF200mm f/2L IS USM	280mm f/2.8	400mm f/4
EF300mm f/4L USM	420mm f/5.6	600mm f/8
EF300mm f/4L IS USM	420mm f/5.6	600mm f/8
EF300mm f/2.8L USM *	420mm f/4	600mm f/5.6
EF300mm f/2.8L IS USM	420mm f/4	600mm f/5.6
EF400mm f/5.6L USM	560mm f/8	800mm f/11
EF400mm f/4 DO IS USM	560mm f/5.6	800mm f/8
EF400mm f/2.8L USM *	560mm f/4	800mm f/5.6
EF400mm f/2.8L II USM *	560mm f/4	800mm f/5.6
EF400mm f/2.8L IS USM	560mm f/4	800mm f/5.6
EF500mm f/4.5L USM *	700mm f/6.7	1000mm f/9.5
EF500mm f/4L IS USM	700mm f/5.6	1000mm f/8
EF600mm f/4L USM *	840mm f/5.6	1200mm f/8
EF600mm f/4L IS USM	840mm f/5.6	1200mm f/8
EF800mm f/5.6L IS USM	1120mm f/8	1600mm f/11
EF100-400mm f/4.5-5.6L IS USM	140-560mm f/6.7-8	200-800mm f/9.5-11
EF70-200mm f/4L USM	98-280mm f/5.6	140-400mm f/8
EF70-200mm f/4L IS USM	98-280mm f/5.6	140-400mm f/8
EF70-200mm f/2.8L USM	98-280mm f/4	140-400mm f/5.6
EF70-200mm f/2.8L IS USM	98-280mm f/4	140-400mm f/5.6
EF70-200mm f/2.8L IS II USM	98-280mm f/4	140-400mm f/5.6
EF300mm f/2.8L IS II USM	420mm f/4	600mm f/5.6
EF400mm f/2.8L IS II USM	560mm f/4	800mm f/5.6
EF500mm f/4L IS II USM	700mm f/5.6	1000mm f/8
EF600mm f/4L IS II USM	840mm f/5.6	1200mm f/8
EF1200mm f/5.6L USM *	1680mm f/8	2400mm f/11

*: Using an Extender with this lens may result in incorrect autofocus.

If your camera has an AF microadjustment function, do the AF microadjustment. If your camera does not have an AF microadjustment function, focus manually if the AF precision is way off.

* For details on AF microadjustments, see the camera's instruction manual.

* Refer to the camera and lens instruction booklets to see if there are any AF compatibility limitations.

* The maximum aperture is indicated in half-stop increments.

Maximum Aperture with the Extender

When Extender EF1.4X III is attached, the lens maximum aperture will be smaller (darker) by 1 stop. With Extender EF2X III, the maximum aperture will be smaller by 2 stops. In any case, the camera will compensate the exposure automatically.

Caution

- Do not attach two or more Extenders on the same camera. Doing so will degrade the optical performance and the camera will not be able to obtain proper exposure readings.
- To enhance water and dust resistance, the Extender EF1.4X III and EF2X III have a rubber ring around the mount. As the lens is repeatedly mounted and detached, the rubber ring will leave fine abrasion marks on the outside of the camera mount. This will not affect operation. The rubber ring can be replaced by a Canon service center (a fee will be charged).
- Autofocusing slows down when the lens is used with an extender, in order to maintain the precision of autofocus control.
- The Extenders cannot be used with film cameras other than the EOS-1V. Using an Extender with a film camera other than the EOS-1V may cause misoperation.

Major Specifications

Mount: Canon EF mount (Electronically controlled)

Lens construction: EF1.4X III: 7 elements in 3 groups
EF2X III: 9 elements in 5 groups

Dimensions

(Max. dia. × length): EF1.4X III: 72.0 dia. × 27.2 mm / 2.8 × 1.1 inch
EF2X III: 72.0 dia. × 52.7 mm / 2.8 × 2.1 inch

Weight: EF1.4X III: approx. 225 g / 7.9 oz, EF2X III: approx. 325 g / 11.5 oz

Case: EF1.4X III/EF2X III: LP811

* All specifications are based on Canon's tests and measurements.

* Product specifications and appearance are subject to change without notice.

Free Manuals Download Website

<http://myh66.com>

<http://usermanuals.us>

<http://www.somanuals.com>

<http://www.4manuals.cc>

<http://www.manual-lib.com>

<http://www.404manual.com>

<http://www.luxmanual.com>

<http://aubethermostatmanual.com>

Golf course search by state

<http://golfingnear.com>

Email search by domain

<http://emailbydomain.com>

Auto manuals search

<http://auto.somanuals.com>

TV manuals search

<http://tv.somanuals.com>