

Canon

EF Lenses

INSTRUCTIONS

Fish-eye EF15mm f/2.8

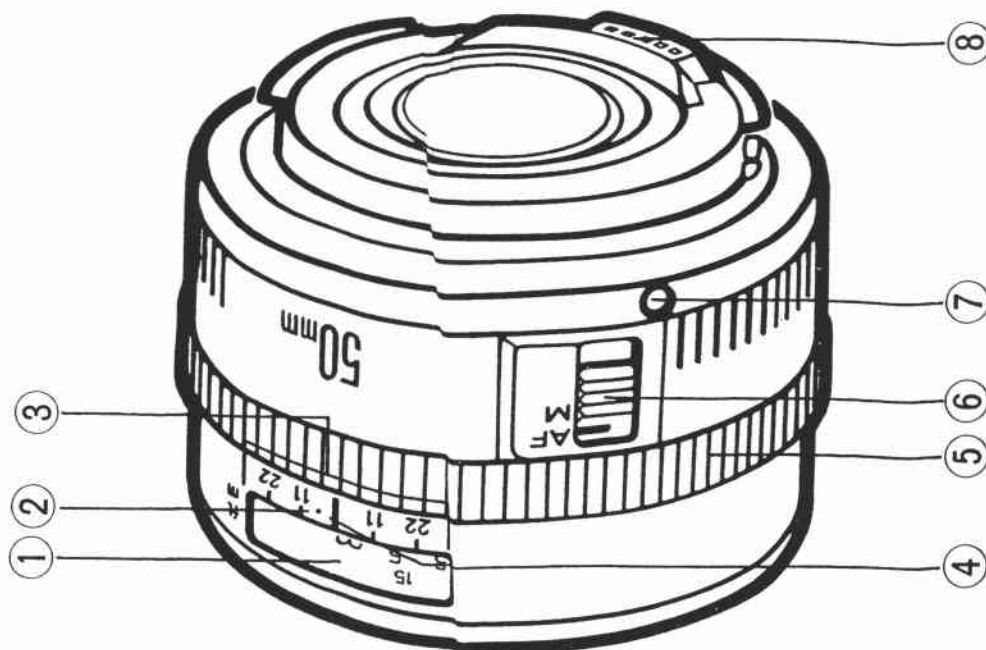
EF 28 mm f/2.8

EF 50 mm f/1.8

EF 50 mm f/1.0 L (Ultrasonic)

Nomenclature

- ① Distance Scale Window
- ② Infrared Index
- ③ Depth-of-field Scale
- ④ Index
- ⑤ Manual Focusing Ring
- ⑥ Focus Mode Switch
- ⑦ Mount Positioning Point (red dot)
- ⑧ Electronic Contacts



Canon EF lenses are fully electronically-controlled autofocus lenses developed exclusively for EOS cameras. We at Canon hope that you will enjoy using your new high-performance compact lens.

1. Mounting and Dismounting

Mounting Onto the Camera

1. To remove the rear dust cap, turn it counterclockwise until it stops, then pull it up **1**.
2. Align the red dot on the lens with the red dot above the camera mount **2-A**. Then turn the lens clockwise until it stops with a click **2-B**.
3. Remove the front lens cap.
 - Be sure to keep the lens' electronic contacts clean to ensure proper connection.
 - Be sure to keep the lens surface clean for correct autofocus.

Dismounting

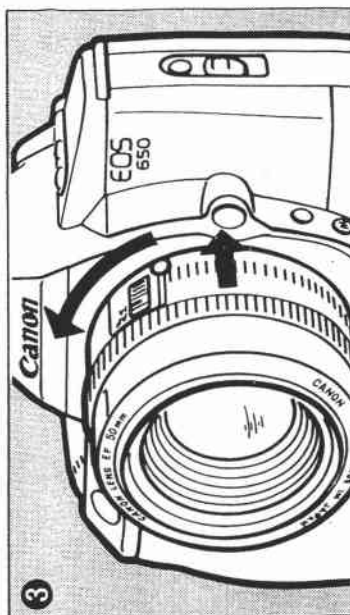
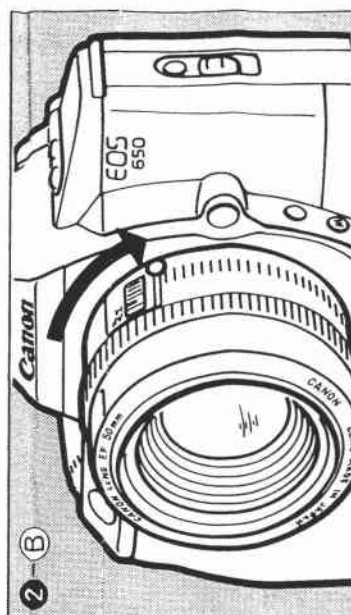
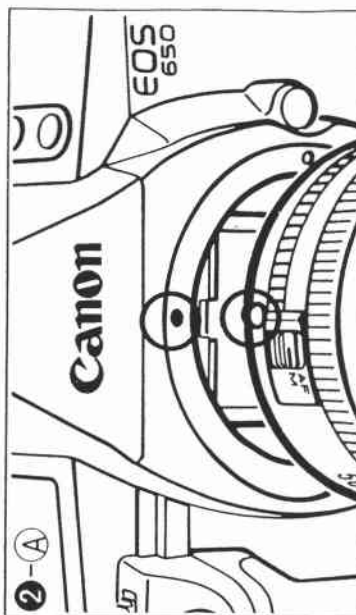
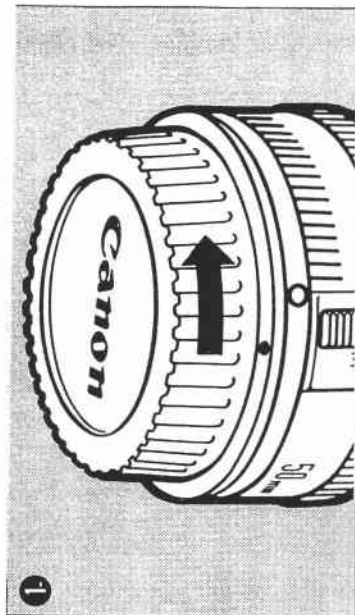
To dismount the lens, hold in the lens release button on the camera and turn the lens counterclockwise until it stops. Then pull the lens off **3**.

- Be sure to place the lens with its front end down to avoid damaging the electronic contacts.

2. Selecting the Focus Mode

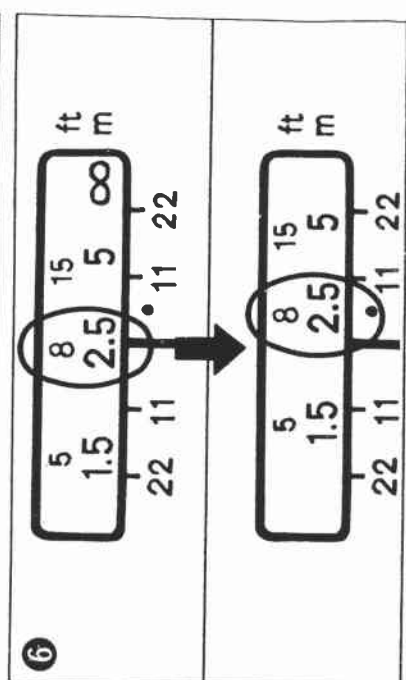
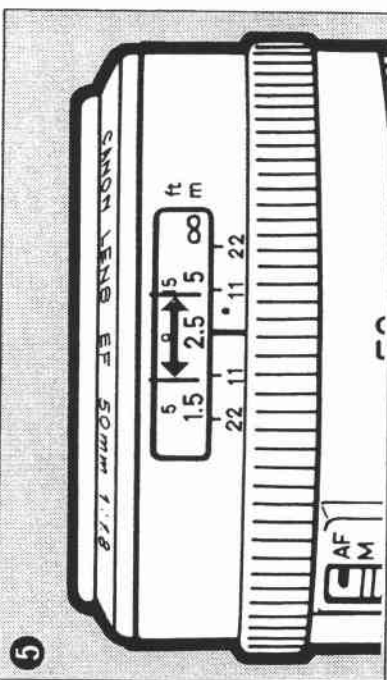
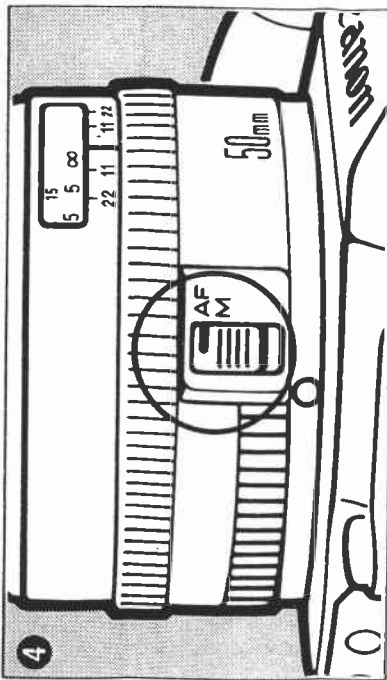
To use the autofocus mode, slide the focus mode switch until it is aligned with the AF mark **4**. For manual focusing, slide the switch to the M mark, and rotate the manual focusing ring.

- Do not touch any moving parts on the lens during autofocus.



3. Depth-of-Field Scale

When the subject is in focus, there is a certain area in front of it and behind it which will also be in focus. This range of sharpness is called depth of field. It can be checked on the lens depth-of-field scale. To check, find the two aperture numbers on the depth-of-field scale on the lens, then draw imaginary lines from these two numbers to the distance scale. The effective depth of field lies between these two distances. For example, using a standard 50 mm lens focused at 2.5 m (8 ft) with the aperture set at f/11, depth of field extends from approx. 1.8 m (6 ft) to 4 m (13 ft) **5**. Any subject in this range will be in reasonably sharp focus.



4. Infrared Index

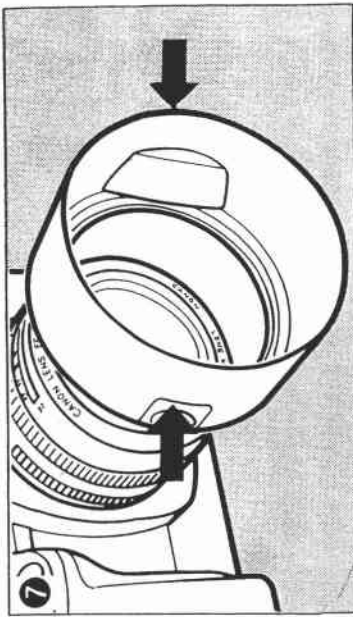
With black and white infrared film, it is necessary to make a slight adjustment in focus using the infrared indices. After focusing as usual, make this adjustment by turning the manual focusing ring to align the focused distance with the infrared index **6**. When shooting, be sure to use a red filter.

- Switch the focus mode to **M** to turn the manual focusing ring for adjustment.
- The position of the infrared indices is based on film usage with a peak sensitivity of 800 nm and a red filter (such as Wratten 87). Using black and white infrared film with a different sensitivity may require a slightly different setting. Thus, it is recommended to take trial shots with the focusing ring set slightly to the left and then right of the appropriate index to find the best position.
- Please carefully read the infrared film manufacturer's instructions for further detail.

5. Hood

We strongly recommend the use of a lens hood to keep out stray light which may cause flare and ghost images. Please use only the hood which is specified.

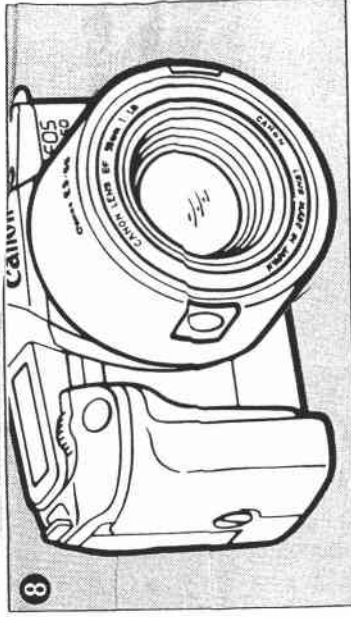
- Attach the lens hood as illustrated **7**.
- To store, attach the hood to the lens in reverse position **8**.
- The Fish-eye EF 15 mm f/2.8 hood is built-in.



6. Filter

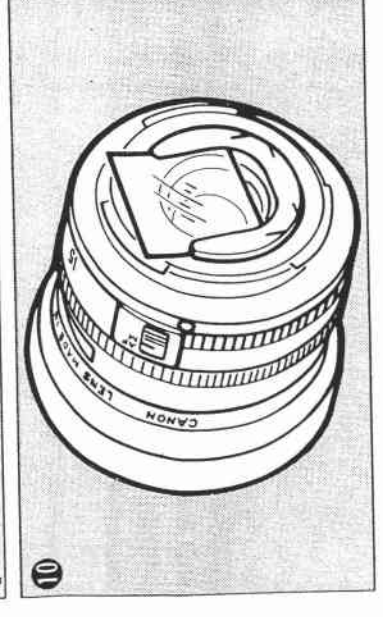
The filter screws into the front of the lens **9**.

- As a rule, only one filter should be used at a time. Two or more filters may cause vignetting around the edges at focal lengths shorter than 35 mm.
- When using a polarizing filter, use the Canon Circular Polarizing Filter PL-C. Autofocus is possible. With a linear polarizing filter, switch to manual focusing.



Filter for the Fish-eye EF 15 mm f/2.8 lens

This lens is constructed with a built-in, gelatin filter holder in the rear **10**. To insert, simply cut the filter to the same dimensions (31 mm (1-1/4") x 31 mm (1-1/4")) as the white brackets, then slide the filter into the holder.



レンズ仕様一覧表
Specifications
Fiche technique

Technische Daten
Especificaciones

レンズ Lens Objectif Objektiv Objetivo	画角 Angle of View Angle de Champ Bildwinkel Angulo de visión			構成枚数 Groups/Élements Groupe/Éléments Glieder/Linsen Grupos/Elementos	最小絞り Minimum Aperture Ouverture minimale Kleinste Blende Abertura mínima	至近距離目盛 Closest Focusing Distance Distance minimale de mise au point Kürz. Einstellentf. Distancia mínima de enfoque	
	対角線 Diagonal	垂直 Vertical Vertikal	水平 Horizontal			0.2 m.	0.7 ft.
Fish-eye EF15mm f/2.8	180°	—	—	7-8	22	0.2	0.7
EF28mm f/2.8	75°	46°	65°	5-5	22	0.3	1
EF50mm f/1.0L (Ultrasonic)	46°	27°	40°	9-11	16	0.6	2
EF50mm f/1.8	46°	27°	40°	5-6	22	0.45	1.5
Softfocus EF135 mm f/2.8	18°	10°	15°	6-7	32	1.3	4.5
EF300mm f/2.8L (Ultrasonic)	8°15'	4°35'	6°50'	7-9	32	3	10
EF28—70mm f/3.5—4.5	75°-34°	46°-19°30'	65°-29°	9-10	22-29	0.5	1.75
EF28—80mm f/2.8—4.0L (Ultrasonic)	75°-30°	46°-17°	65°-25°	12-16	22-32	0.75	2.5
EF35—70mm f/3.5—4.5	63°-34°	38°-19°30'	54°-29°	8-9	22-29	0.5	1.75
EF35—105mm f/3.5—4.5	63°-23°30'	38°-13°	54°-19°20'	11-14	22-29	1.2	4
EF70—210mm f/4.0	34°-11°45'	19°30'-6°30'	29°-9°48'	8-11	32	1.5	5
EF100—300mm f/5.6L	24°-8°15'	14°-4°35'	20°-6°50'	10-15	32	2	7
EF100—300mm f/5.6	24°-8°15'	14°-4°35'	20°-6°50'	9-15	32	2	7
Extender EF2x	—	—	—	5-7	—	—	—

★

★

★

★

★

★

★

★

撮影倍率 Magnification Grossissement Abbildungsmaßstab Aumento *1 (×)	マクロ至近距離 Closest Focusing Distance in macro range Distance minimale de mise au point en macro Kürzeste Einstellent- fernung im Nahbereich Distancia mínima del enfoque en el margen de macro *2 (m)	マクロ撮影倍率と画界 Macro Magnification and Field of View Grossissement en macro et champ de visée Abbildungsmaßstab im Nahbereich und Objektfeld Aumento del margen de macro y el campo de visión	フィルター Filter Size (mm) Diamètre des filtres Filterdurch- messer Diámetro de filtros	フード Hood Pare-soleil Gegenlicht- blende Parasol
0.14	—	—	*3	*5
0.13	—	—	52	EW-65
0.11	—	—	72	ES-79
0.15	—	—	52	ES-65
0.124	—	—	52	ET-65
0.11	—	—	48	*4
0.069-0.16	0.39	28mm-0.094 × (255 × 383mm) 70mm-0.22 × (109 × 164mm)	52	EW-68A
0.046-0.12	0.5	28mm-0.075 × (320 × 480mm) 80mm-0.2 × (120 × 180mm)	72	EW-79
0.081-0.15	0.39	35mm-0.109 × (220 × 330mm) 70mm-0.2 × (120 × 180mm)	52	EW-68B
0.036-0.103	0.86	35mm-0.055 × (445 × 663mm) 105mm-0.16 × (150 × 225mm)	58	EW-68B
0.06-0.18	1.2	70mm-0.08 × (300 × 450mm) 210mm-0.24 × (100 × 150mm)	58	ET-62
0.062-0.18	1.5	100mm-0.089 × (270 × 404mm) 300mm-0.26 × (92 × 138mm)	58	ET-62
0.062-0.18	1.5	100mm-0.089 × (270 × 404mm) 300mm-0.26 × (92 × 138mm)	58	ET-62
—	—	—	—	—

長さ×最大径 Length × Diameter Longueur × Diamètre Baulänge × Durchmesser Longitud × Diámetro mm (inch)	重量 Weight Poids Gewicht Peso g (ozs)	ケース Case Etui Behälter Estuche	
		ハード Hard Case Rigide Köcher Duro	スナップ Snap Case Toujours-prêt Beutel Blando
62.2 × 73 (2-7/16" × 2-7/8")	360 (12-11/16 oz.)	LHP-C10	ES-C9
42.5 × 67.4 (1-11/16" × 2-5/8")	185 (6-7/2 oz.)	LH-B9	ES-C9
80 × 89 (3-1/8" × 3-1/2")	960 (33-7/8 oz.)	*4	—
42.5 × 67.4 (1-11/16" × 2-5/8")	190 (6-11/16 oz.)	LH-B9	ES-C9
98.7 × 69.2 (3-7/8" × 2-3/4")	410 (14-7/16 oz.)	LH-B15	ES-C13
243 × 125 (9-9/16" × 4-15/16")	2,850 (100-1/20 oz.)	*4	—
74.8 × 70 (2-15/16" × 2-3/4")	300 (10-9/16 oz.)	LH-B12	ES-C13
122 × 83 (4-13/16" × 3-1/4")	940 (33-3/16 oz.)	LH-D16	—
63 × 70 (2-1/2" × 2-3/4")	245 (8-5/8 oz.)	LH-C13	ES-C9
81.9 × 73.2 (3-1/4" × 2-7/8")	400 (14-1/8 oz.)	LH-C13	ES-C13
137.6 × 75.6 (5-7/16" × 3")	650 (22-15/16 oz.)	LH-C19	ES-C17
166.6 × 75 (6-9/16" × 2-15/16")	720 (25-3/8 oz.)	LH-C21	ES-C20
166.8 × 75 (6-9/16" × 2-15/16")	720 (25-3/8 oz.)	LH-C21	ES-C20
50.5 × 67.6 (2" × 2-11/16")	290 (10-1/4 oz.)	LH-B9	ES-C9

* 1 撮影倍率は至近時です

Magnification is at closest focusing distance.
Avec la distance minimale de prise de vue.
Objektiv in kürzester Entfernungseinstellung.
Aumento es en la distancia mínima de enfoque.

* 2 フィルム面より

From film plane.

À partir du plan du film.
ab Filmebene

Del plano de la película

* 3 ゼラチンフィルターホルダー内蔵

Built-in holder for gelatin filters.

Porte-filtre gélatine incorporé
eingebauter Folienfilter-Halter

Portafiltros de gelatina incorporado

* 4 専用

Exclusive

Spécial

spezial

Exclusiva

* 5 組み込み

Built-in

Incorporé

eingebaut

Incorporado

● ★ は近日発売です。

● ★ indicates these lenses will be available soon.

● ★ indique que ces objectifs seront disponibles sous peu.

● Mit ★ bezeichnete Objektive sind in Kürze erhältlich.

● Los objetivos con la marca ★ serán disponibles pronto.

- The length of the lens is measured from the camera mount to the lens front vertex. For approximate overall length including rear dust cap, add 17 mm (1 1/16").
- Dimensions are for the lens only, and do not include lens caps, hood (optional), or tripod mount (if applicable).
- All EF lenses are coated and their inner surfaces treated for anti-reflection, optimum light transmission, color balance and maximum elimination of ghost and flare.
- The "L" designation of certain lenses indicates that the lens concerned is specially constructed to give extra high performance.

Subject to change without notice.

Free Manuals Download Website

<http://myh66.com>

<http://usermanuals.us>

<http://www.somanuals.com>

<http://www.4manuals.cc>

<http://www.manual-lib.com>

<http://www.404manual.com>

<http://www.luxmanual.com>

<http://aubethermostatmanual.com>

Golf course search by state

<http://golfingnear.com>

Email search by domain

<http://emailbydomain.com>

Auto manuals search

<http://auto.somanuals.com>

TV manuals search

<http://tv.somanuals.com>