

Canon

J22ex 7.6B

Most Advanced Tele portable lens achieving high quality and wide angle in a compact size



@IFXS

J22ex 7.6B

@IFXS

Most Advanced "Tele" portable lens achieving high quality and wide angle in a compact size

The **@IFXS** technology consists of two meanings that starts from the letter "E". One is the "Ecological Design" and the other is the "Enhanced Digital Drive" technology. Of course the new series inherits all the advantages from its predecessor, the Ifxs series.

Enhanced Digital Drive

The **@IFXS** series are equipped with an informational display and a Digital Function Selector so that the user can customize the enhanced digital functions much more easily and precisely.

Ecological Design

It is Canon's policy no to pollute the earth and the **@IFXS** series have avoided using any materials or substances that could pollute the environment.

X-Element & Power Optical System

Canon has developed a break through in optical design technology known as the "Power Optical System" whose heart is the "X-Element". Thanks to the "Power Optical System", the J22ex7.6B is offering both more telephoto and wider angle with improved optical quality.

Ergonomic Drive Unit

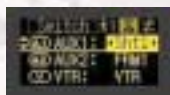
The **@IFXS** Ergonomic Drive Unit is tilted at an ideal angle of 12.5° based on Canon's original Human Algorithm, to realize good balance and comfort.

@IFXS Digital Drive System

Canon's enhanced Digital Drive System with informational display provides outstanding operation and features.

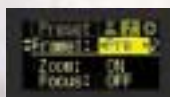
Shuttle Shot :

By memorizing any two focal lengths, the Digital Drive can automatically "shuttle" between the two points, moving in either direction.



Framing Preset :

An angle of view can be preset in either of two memories and the lens will zoom to that position by pushing a simple button. During a performance, framing preset will reproduce the zoom position decided upon at the rehearsal. It's easy to repeat the same zoom as often as you like at the highest speed or in a preset zoom speed.



Speed Preset :

A specific zoom speed can be preset in memory and it is possible to repeat the zoom speed as often as you like by pushing a simple button.



Other Features

- **Zoom Track** : "Zoom Track" allows the camera operator to adjust the electronic focal length to their desired range by memorizing zoom positions at both the tele and the wide side of the zoom.
- **User Customized Settings** : User settings for zoom and focus curve mode for precise control based upon the users requirement.
- **PC connection** : PC connection for remote control or diagnosis can be accomplished via a communication interface on the lens and personal computer with optional software.

NEW Rotary Encoder

The J22ex7.6B is a lens, which is equipped with the new enhanced digital drive unit. Conventional Potentiometers are analog positional sensors capable of only 8-10 bit equivalent resolution. Thus virtual ENG studio systems called for an optional Encoder Unit to be put on the zoom and focus ring of the lens. With the introduction of 16 bit resolution Rotary Encoder Devices built into the new enhanced digital drive unit, the lens can be simply integrated into a virtual digital studio system without any additions. The encoders also enable superior precise control. The zoom servo provides a dynamic range of 0.5 sec quick zooms to an over 5 min super slow zoom. Repeatability in focus and iris control are also much more precise. Canon's unique technology has made the Encoder Device surprisingly small to be installed in the existing drive unit without changes in size or weight.



Momentary Iris Switch

Zoom operation switch

Return switch

Informational Display

Digital Function Selector

Display switch



[Aux2] switch for enhanced operation

Rotary Encoder Device

VTR switch



[Aux1] switch for enhanced operation

Memory switch



Vari-Polar Hood

SHORT M.O.D., 0.8m(2ft 7in)

COUNTERMEASURES AGAINST GHOSTING AND FLARES

ZOOM RATIO 22X

DYNAMIC ZOOM SPEED RANGE

- Maximum zoom speed 0.5 sec.
Super slow zoom over 5 min.
(from wide end to tele end)

WIDEST ANGLE AVAILABLE

60.1° AT 7.6mm

CROSSOVER MODE 

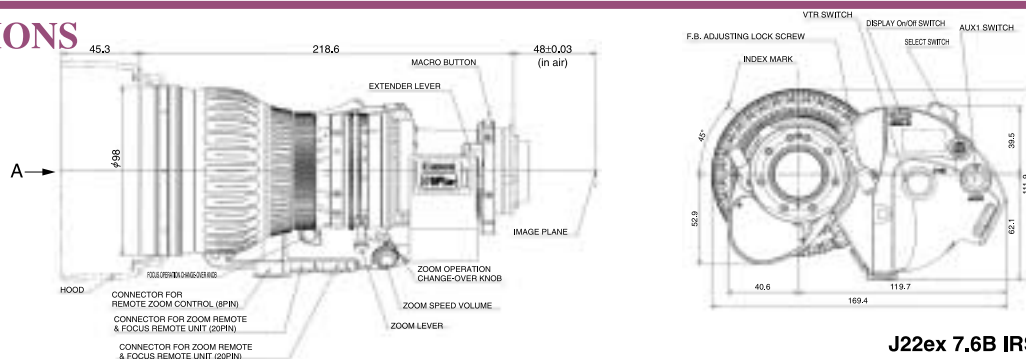
- For 16:9/4:3 switchable cameras.(Option)

Built-in 2X Extender

SPECIFICATIONS

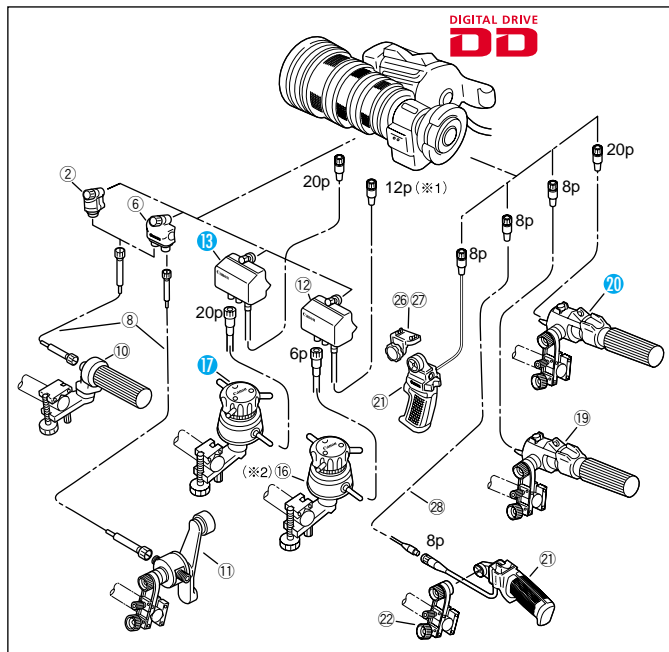
J22ex 7.6B	NORMAL4:3		16:9		SWITCHABLE 4:3		
Image Format	8.8 x 6.6mm ; ϕ 11.0mm		9.6 x 5.4mm ; ϕ 11.0mm		7.2 x 5.4mm ; ϕ 9.0mm		
Built-in Extender	1.0X	2.0X	1.0X	2.0X	1.0X	1.2X	2.4X
Zoom Ratio	22X						
Range of Focal Length	7.6 - 168mm	15.2 - 336mm	7.6 - 168mm	15.2 - 336mm	6.3 - 138.6mm	7.6 - 168mm	15.2 - 336mm
Maximum Relative Aperture	1:1.8 at 7.6-118.6mm 1:2.55 at 168mm	1:3.6 at 15.2-237.2mm 1:5.1 at 336mm	1:1.8 at 7.6-118.6mm 1:2.55 at 168mm	1:3.6 at 15.2-237.2mm 1:5.1 at 336mm	1:1.8 at 6.3-116mm 1:2.15 at 138.6mm	1:1.8 at 7.6-118.6mm 1:2.55 at 168mm	1:3.6 at 15.2-237.2mm 1:5.1 at 336mm
Angular Field of View	60.1°x46.9° 3.0°x2.3°	32.3°x24.5° 1.5°x1.1°	64.6°x39.1° 3.3°x1.8°	35.1°x20.1° 1.6°x0.9°	60.1°x46.9° 3.0°x2.3°	50.7°x39.1° 2.5°x1.8°	26.6°x20.1° 1.2°x0.9°
Minimum object Distance(M.O.D.)	0.8m(10mm with Macro)						
Object Dimensions at M.O.D.	87.4x65.6cm at 7.6mm 4.0x3.0cm at 168mm	43.7x32.8cm at 15.2mm 2.0x1.5cm at 336mm	95.0x53.4cm at 7.6mm 4.2x2.5cm at 168mm	47.5x26.7cm at 15.2mm 2.2x1.2cm at 336mm	87.4x65.6cm at 6.3mm 4.0x3.0cm at 138.6mm	71.8x53.9cm at 7.6mm 3.3x2.5cm at 168mm	35.9x26.9cm at 15.2mm 1.7x1.3cm at 336mm
Size(IRSE)	169.4x111.9x218.6(mm)						
Approx.Mass (IRSE/IASE)	1.79kg(3.95lbs)/1.89kg(4.17lbs)						
Model	IRSE/IASE				VRSE/VASE		—
					WRSE/WASE		

DIMENSIONS



J22ex 7.6B IRSE (Unit:mm)

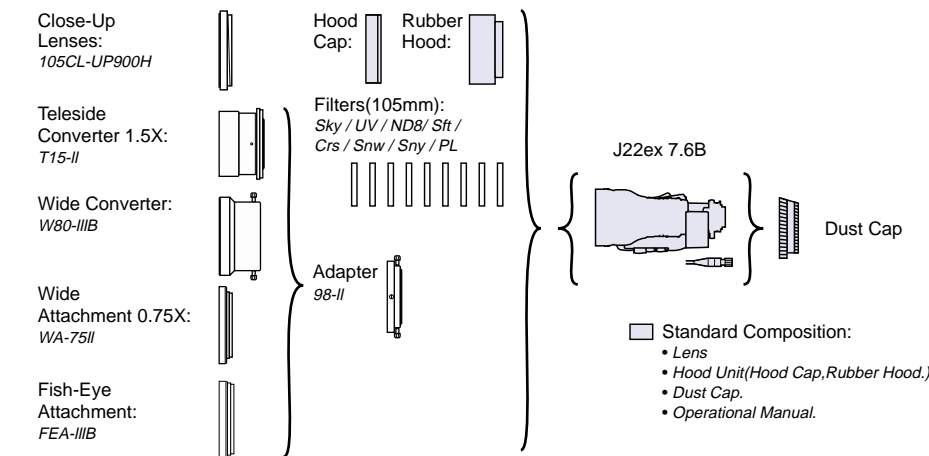
CONTROL ACCESSORIES



- (*1) ③ CC-2012 conversion cable is necessary to connect between IRSD Digital Drive Lens and FPM-420.
 (*2) ② CC-2006 conversion cable is necessary to connect between IASD Digital Drive Lens and FPD-400.

#	Unit	Description	CODE
②	FFM-100	Flex Focus Module	1824A015
⑥	FFM-200	Flex Dual Module	1824A013
⑧	FC-40	Flex Cable	1824A010
⑩	FFC-200	Flex Focus Controller	1824A014
⑪	FZC-100	Flex Zoom Controller	1824A021
⑫	FPM-420	Focus Positional Servo Module	1824A026
⑬	FPM-420D	Focus Positional Servo Module	1824A129
⑭	FPM-500	Focus Positional Servo Module	1824A027
⑯	FPD-400	Focus Positional Demand	1824A018
⑰	FPD-400D	Focus Positional Demand	1824A124
⑲	ZSD-300A*/M	Zoom Demand	A 1824A066 M 1824A067
⑳	ZSD-300D	Zoom Demand	A 1824A123
㉑	ZSG-200A*/M	Zoom Servo Grip	A 1824A068 M 1824A069
㉒	CR-10	Clamper	1824A007
㉓	ZGA-400**	Grip Adapter	0025T616
㉔	EC-80	Zoom Extension Cable (8P)	1824A009
㉕	CC-2006	Conv. Cable (20pM-6pF)	1824A125
㉖	CC-2012	Conv. Cable (20pM-12pF)	1824A126

OPTICAL ACCESSORIES



MODEL	CODE
105CL-UP900H	1823A043
T15-II	1823A005
W80-III B	1823A006
WA-75II	1823A008
FEA-III B	1823A011
Adaptor98II	1824A004
UV / 105mmP1	1823A022
UV / 94P1*	1823A021
Sky / 105mmP1	1823A023
Crs / 105mmP1	1823A024
Sny / 105mmP1	1823A025
Snw / 105mmP1	1823A027
ND8 / 105mmP1	1823A026
Sft / 105mmP1	1823A020
PL / 105mmP1	1823A028

*Filters with 105mmP1 are to be used for Hood Unit except for UV/94P1 which is to be used for Lens Barre/Thread.

North & South America

Canon U.S.A., Inc.
 Broadcast and Communications Div. (Headquarters)
 400 Sylvan Avenue Englewood Cliffs, NJ 07632
 Tel:(201)816-2900/(800)321-4388 Fax:(201)816-2909
 Email:bctv@cusa.canon.com
<http://www.canonbroadcast.com/>

Chicago
 100 Park Blvd. Itasca, IL 60143
 Tel:(630)250-6231 Fax:(630)250-0399

Atlanta
 5625 Oakbrook Pkwy. Norcross, GA 30093
 Tel:(770)849-7895 Fax:(770)849-7888

Los Angeles
 15955 Alton Parkway Irvine, CA 92618
 Tel:(949)753-4330 Fax:(949)753-4337

Dallas
 3200 Regent Blvd. Irving, TX 75063
 Tel:(972)409-8871 Fax:(972)409-8869

Latin America
 Tel:(954)349-6975 Fax:(201)816-2909

Canada

Canon Canada, Inc.
 Optics Division 6390 Dixie Road
 Mississauga, Ontario, L5T 1P7, Canada
 Tel:(905)795-2012 Fax:(905)795-2140

Europe/Africa/Middle East

Canon Europa N.V.
 Broadcast and Communications Div.
 Bovenkerkerweg 59-61
 1185 XB Amstelveen
 Tel:+31(0)20-5458905 Fax:+31(0)20-5458203
 Email:tvprod@canon-europe.com
<http://www.canon-europe.com/tv-products>

Australia
 Canon Australia Pty. Ltd.
 Optical Products Division
 1 Thomas Holt Drive, North Ryde, NSW 2113
 Tel:+61(0)2-9805-2000 Fax:+61(0)2-9805-2444

China
 Canon (China) Co., Ltd.
 Optical Products Division 15F South Tower, Beijing
 Kerry Center, 1 Guang Hua Road,
 Chao Yang District, 100020, Beijing, China
 Tel:(010)8529-8488 ex 133 Fax:(010)8529-6606
<http://www.canon.com.cn>

Asia/Japan

Canon Inc. (Broadcast Equipment Group)
 20-2, Kiyohara-Kogyo-Danchi, Utsunomiya-shi,
 Tochigi-ken, 321-3292
 Tel:+81(0)28-667-8669 Fax:+81(0)28-667-8672
<http://www.canon.com/bctv>

Specifications subject to change without notice

Free Manuals Download Website

<http://myh66.com>

<http://usermanuals.us>

<http://www.somanuals.com>

<http://www.4manuals.cc>

<http://www.manual-lib.com>

<http://www.404manual.com>

<http://www.luxmanual.com>

<http://aubethermostatmanual.com>

Golf course search by state

<http://golfingnear.com>

Email search by domain

<http://emailbydomain.com>

Auto manuals search

<http://auto.somanuals.com>

TV manuals search

<http://tv.somanuals.com>