

**FC220/PC420/430/**

**FC200/PC400**

**PARTS  
CATALOG**

**REVISION 0**

**Canon**

**JAN. 1998**

**FY8-31DD-000**

## PREFACE

This Parts Catalog contains listings of parts used in the FC220/PC420/430/FC200/PC400. Diagrams are provided with the listings to aid the service technician in identifying clearly, the item to be ordered.

Whenever ordering parts, consult this Parts Catalog for all of the information pertaining to each item. Be sure to include, in the Parts Request, the full item description, the item part number and the quantity.

Canon Inc.

Office Imaging Products Technical Support Dept.1  
Office Imaging Products Technical Support Div.  
5-1, Hakusan 7-chome,  
Toride-shi, Ibaraki 302, Japan

*COPYRIGHT © 1998 CANON INC.*

*Printed in Japan  
Imprimé au Japon*

## LIST OF SERIAL NUMBER

### FC220

100V 50/60Hz	F13-5011	LTH00001-	WHITE
100V 50/60Hz	F13-5013	LTL00001-	GRAY
115V 60Hz	F13-5001	NVD00001-	WHITE
220/240V 50Hz	F13-5041	PTR00001-	WHITE
		RTM00001-	WHITE
220/240V 50Hz	F13-5043	UTR00001-	GRAY
		UTS00001-	GRAY
220V 50Hz	F13-5051	PTS00001-	WHITE
220V 60Hz	F13-5061	PTT00001-	WHITE

### PC420

120V 60Hz	F13-5031	ZTJ00001-	WHITE
120V 60Hz	F13-5033	ZTK00001-	GRAY

### PC430

120V 60Hz	F13-5032	ZTL00001-	WHITE
-----------	----------	-----------	-------

### FC200

100V 50/60Hz	F13-4811	LTM00001-	WHITE
100V 50/60Hz	F13-4813	LTG00001-	GRAY
220/240V 50Hz	F13-4841	PTQ00001-	WHITE
		RTL00001-	WHITE
220/240V 50Hz	F13-4843	UTP00001-	GRAY
		UTQ00001-	GRAY
220V 50Hz	F13-4851	PTV00001-	WHITE

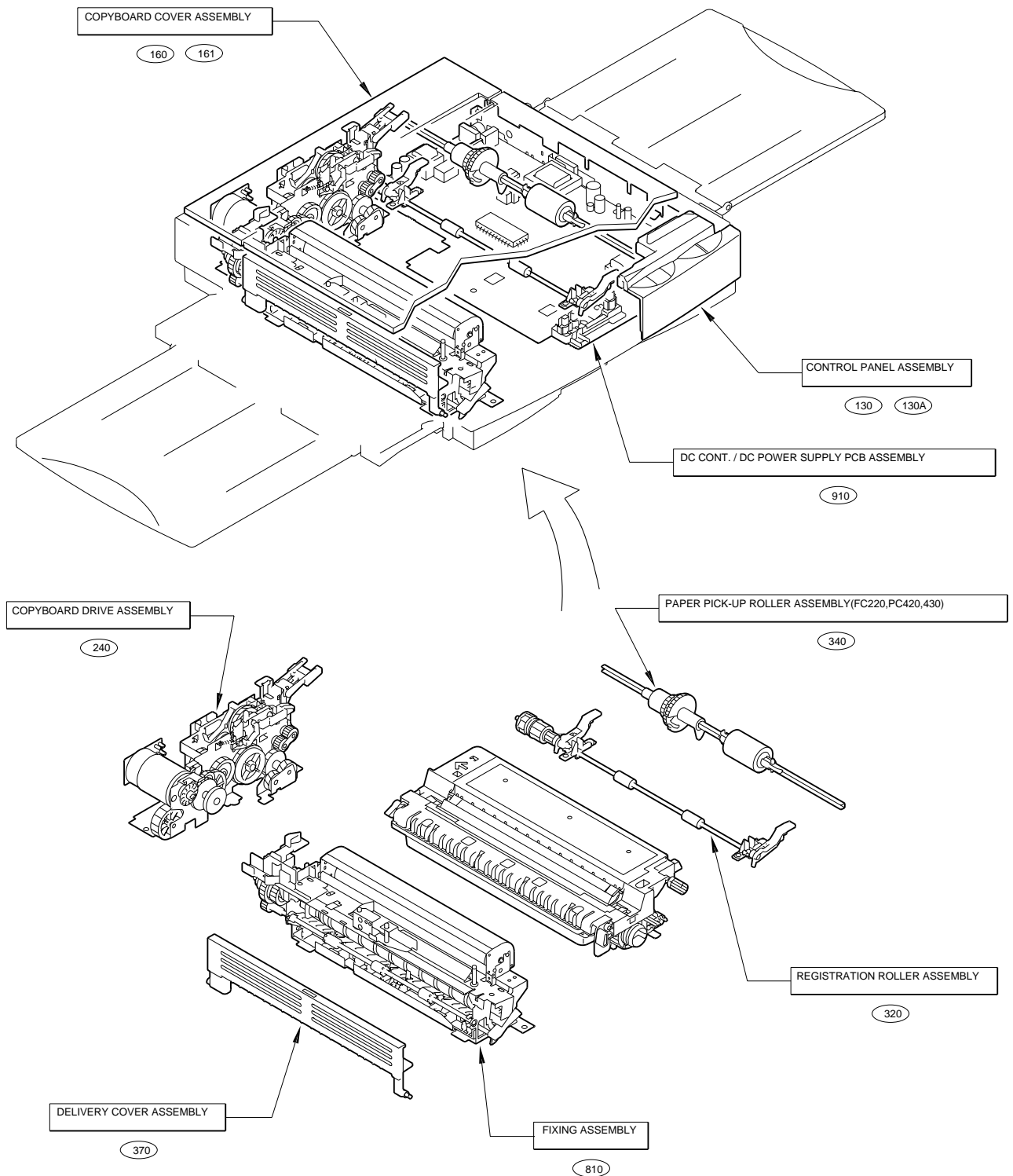
### PC400

120V 60Hz	F13-4831	ZTG00001-	WHITE
120V 60Hz	F13-4833	ZTH00001-	GRAY

# CONTENTS

- A. ASSEMBLY LOCATION DIAGRAM**
  - 100. EXTERNAL COVERS, PANELS, ETC.  
(FC220,PC420,PC430)**
  - 100A. EXTERNAL COVERS, PANELS, ETC.  
(FC200,PC400)**
  - 101. UPPER MAIN BODY**
  - 102. LOWER MAIN BODY (FC220,PC420,PC430)**
  - 102A. LOWER MAIN BODY (FC200,PC400)**
  - 130. CONTROL PANEL ASSEMBLY  
(FC220,PC420,PC430)**
  - 130A. CONTROL PANEL ASSEMBLY (FC200,PC400)**
  - 160. COPYBOARD COVER ASSEMBLY  
(FC220,PC420,FC200,PC400)**
  - 161. COPYBOARD COVER ASSEMBLY (PC430)**
  
  - 240. COPYBOARD DRIVE ASSEMBLY**
  
  - 320. REGISTRATION ROLLER ASSEMBLY**
  - 340. PAPER PICK-UP ROLLER ASSEMBLY  
(FC220,PC420,PC430)**
  - 370. DELIVERY COVER ASSEMBLY**
  
  - 810. FIXING ASSEMBLY**
  
  - 910. DC CONT. / DC POWER SUPPLY PCB ASSEMBLY**
- B. LIST OF CONNECTORS**
- C. LIST OF STANDARD FASTENERS**
- D. NUMERICAL INDEX**

# FIGURE A ASSEMBLY LOCATION DIAGRAM



# EXTERNAL COVERS, PANELS, ETC. FIGURE 100 (FC220,PC420,PC430)

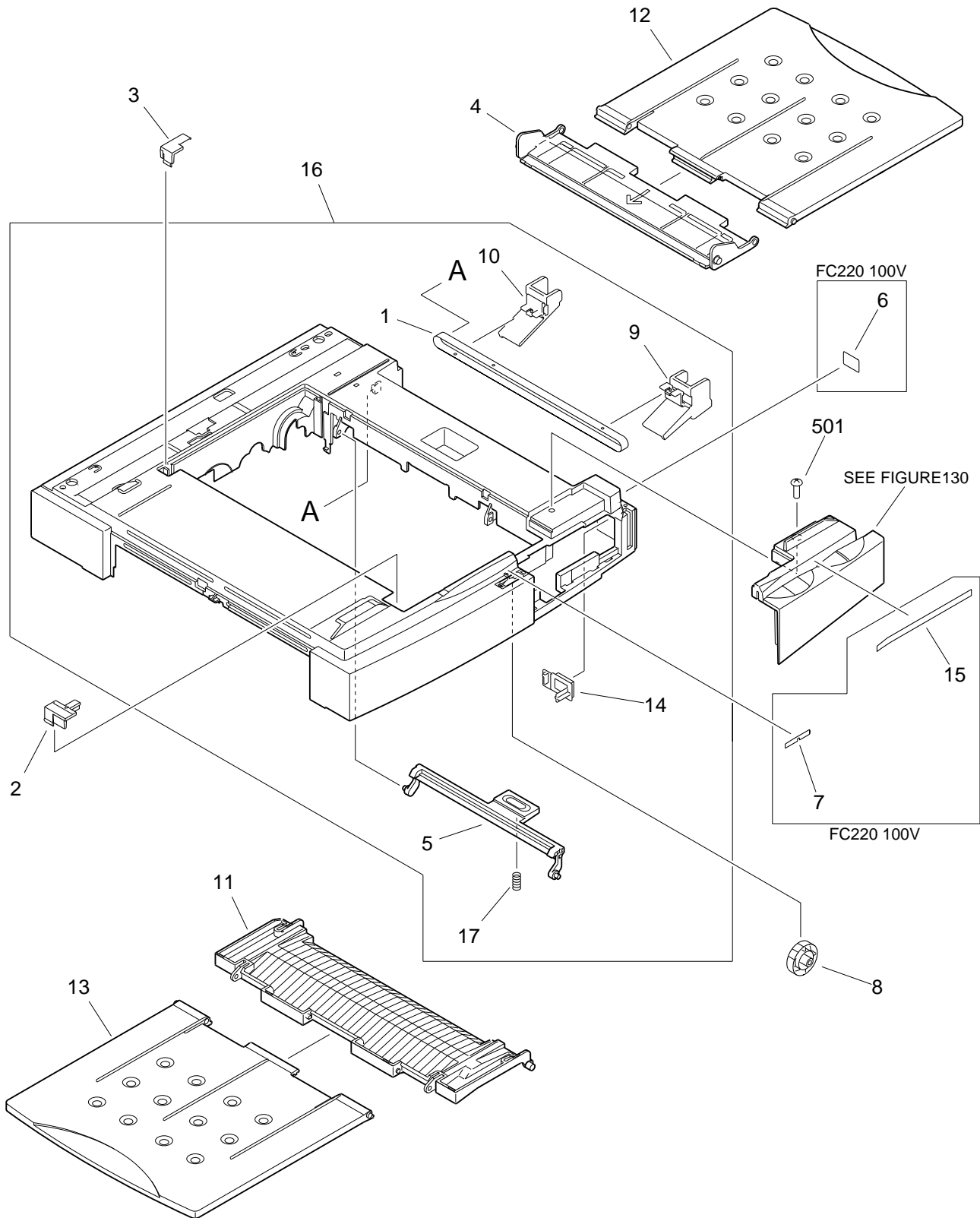


FIGURE & KEY NO.	PART NUMBER	RANK	QTY	DESCRIPTION	SERIAL NUMBER / REMARKS
100 -	NPN		RF	EXTERNAL COVERS, PANELS, ETC.	FC220,PC420,430
1	FB1 - 7403 - 000		1	FILM, SLIDE	
2	FB1 - 7462 - 000		1	PLATE, BLANKING, FRONT	WHITE
	FB1 - 9224 - 000		1	PLATE, BLANKING, FRONT	GRAY
3	FB1 - 7463 - 000		1	PLATE, BLANKING, REAR	WHITE
	FB1 - 9225 - 000		1	PLATE, BLANKING, REAR	GRAY
4	FB2 - 9670 - 000		1	TRAY, MANUAL PAPER FEED	FC220 WHITE 100V
	FB2 - 9673 - 000		1	TRAY, MANUAL PAPER FEED	FC220 GRAY 100V
	FB2 - 9671 - 000		1	TRAY, MANUAL PAPER FEED	FC220,PC420 WHITE 115/120/220/240V
	FB2 - 9674 - 000		1	TRAY, MANUAL PAPER FEED	FC220,PC420 GRAY 115/120/220/240V
	FB2 - 9672 - 000		1	TRAY, MANUAL PAPER FEED	PC430 WHITE 120V
5	FB3 - 8941 - 000		1	HOOK	
6	FB4 - 0026 - 000		1	LABEL, "DENSITY ADJUSTMENT"	FC220 100V WHITE
	FB4 - 0371 - 000		1	LABEL, "DENSITY ADJUSTMENT"	FC220 100V GRAY
7	FB4 - 0058 - 000		1	LABEL, CONTROL PANEL, 2	FC220 100V WHITE
	FB4 - 0368 - 000		1	LABEL, CONTROL PANEL, 2	FC220 100V GRAY
8	FB4 - 0287 - 000		1	DIAL, DENSITY CONTROL	WHITE
	FB4 - 0288 - 000		1	DIAL, DENSITY CONTROL	GRAY
9	FB4 - 0307 - 000		1	GUIDE, MANUAL PAPER FEED, F	
10	FB4 - 0308 - 000		1	GUIDE, MANUAL PAPER FEED, R	
11	FB4 - 0327 - 000		1	TRAY, PAPER DELIVERY	FC220,PC420 WHITE
	FB4 - 0328 - 000		1	TRAY, PAPER DELIVERY	FC220,PC420 GRAY
	FB2 - 9663 - 000		1	TRAY, PAPER DELIVERY	PC430 WHITE
12	FB4 - 0330 - 000		1	TRAY, SUB	FC220,PC420 WHITE
	FB4 - 0331 - 000		1	TRAY, SUB	FC220,PC420 GRAY
	FB2 - 9677 - 000		1	TRAY, SUB	PC430 WHITE
13	FB4 - 0330 - 000		1	TRAY, SUB	FC220,PC420 WHITE
	FB4 - 0331 - 000		1	TRAY, SUB	FC220,PC420 GRAY
14	FB4 - 0352 - 000		1	KEY TOP, MAIN SWITCH	
15	FB4 - 0375 - 000		1	LABEL, CONTROL PANEL, 1	FC220 100V WHITE

FIGURE & KEY NO.	PART NUMBER	RANK	QTY	DESCRIPTION	SERIAL NUMBER / REMARKS
100 - 15	FB4 - 0367 - 000		1	LABEL, CONTROL PANEL, 1	FC220 100V GRAY
16	FG5 - 9544 - 000		1	UPPER COVER UNIT	FC220 100V WHITE
	FG5 - 9548 - 000		1	UPPER COVER UNIT	FC220 100V GRAY
	FG5 - 9546 - 000		1	UPPER COVER UNIT	FC220 115V WHITE PC420 120V WHITE
	FG5 - 9545 - 000		1	UPPER COVER UNIT	FC220 220/240V WHITE
	FG5 - 9549 - 000		1	UPPER COVER UNIT	FC220 220/240V GRAY
	FG5 - 9550 - 000		1	UPPER COVER UNIT	PC420 120V GRAY
	FG5 - 9547 - 000		1	UPPER COVER UNIT	PC430 120V WHITE
17	FS5 - 2355 - 000		1	SPRING, COMPRESSION	
501	XB4 - 7401 - 209		1	SCREW,TAPPING,TRUSS HEAD,M4X12	



# EXTERNAL COVERS, PANELS, ETC. FIGURE 100A (FC200,PC400)

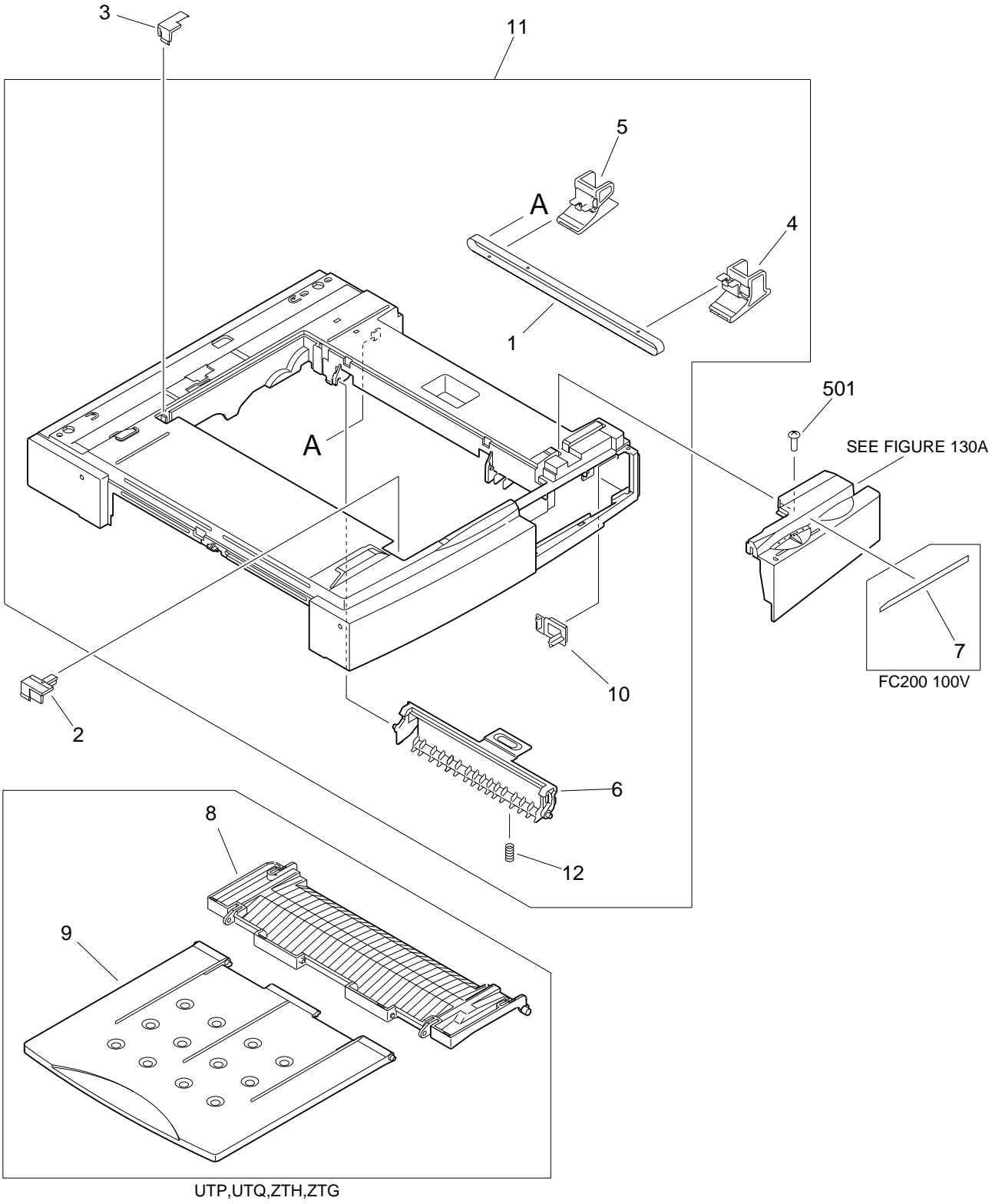


FIGURE & KEY NO.	PART NUMBER	RANK	QTY	DESCRIPTION	SERIAL NUMBER / REMARKS
100A -	NPN		RF	EXTERNAL COVERS, PANELS, ETC.	FC200,PC400
1	FB1 - 7403 - 000		1	FILM, SLIDE	
2	FB1 - 7462 - 000		1	PLATE, BLANKING, FRONT	WHITE
	FB1 - 9224 - 000		1	PLATE, BLANKING, FRONT	GRAY
3	FB1 - 7463 - 000		1	PLATE, BLANKING, REAR	WHITE
	FB1 - 9225 - 000		1	PLATE, BLANKING, REAR	GRAY
4	FB3 - 8743 - 000		1	GUIDE, MANUAL PAPER FEED, F	
5	FB3 - 8744 - 000		1	GUIDE, MANUAL PAPER FEED, R	
6	FB3 - 8938 - 000		1	HOOK	
7	FB4 - 0263 - 000		1	LABEL, CONTROL PANEL	FC200 100V WHITE
	FB4 - 0264 - 000		1	LABEL, CONTROL PANEL	FC200 100V GRAY
8	FB4 - 0328 - 000		1	TRAY, PAPER DELIVERY	UTP,UTQ,ZTH
	FB4 - 0327 - 000		1	TRAY, PAPER DELIVERY	ZTG
9	FB4 - 0331 - 000		1	TRAY, SUB	UTP,UTQ,ZTH
	FB4 - 0330 - 000		1	TRAY, SUB	ZTG
10	FB4 - 0352 - 000		1	KEY TOP, MAIN SWITCH	
11	FG5 - 9486 - 000		1	UPPER COVER UNIT	FC200 100V WHITE
	FG5 - 9489 - 000		1	UPPER COVER UNIT	FC200 100V GRAY
	FG5 - 9487 - 000		1	UPPER COVER UNIT	FC200 220/240V WHITE
	FG5 - 9490 - 000		1	UPPER COVER UNIT	FC200 220/240V GRAY
	FG5 - 9488 - 000		1	UPPER COVER UNIT	PC400 120V WHITE
	FG5 - 9491 - 000		1	UPPER COVER UNIT	PC400 120V GRAY
12	FS5 - 2355 - 000		1	SPRING, COMPRESSION	
501	XB4 - 7401 - 009		1	SCREW,TAPPING,TRUSS HEAD,M4X10	

# FIGURE 101 UPPER MAIN BODY

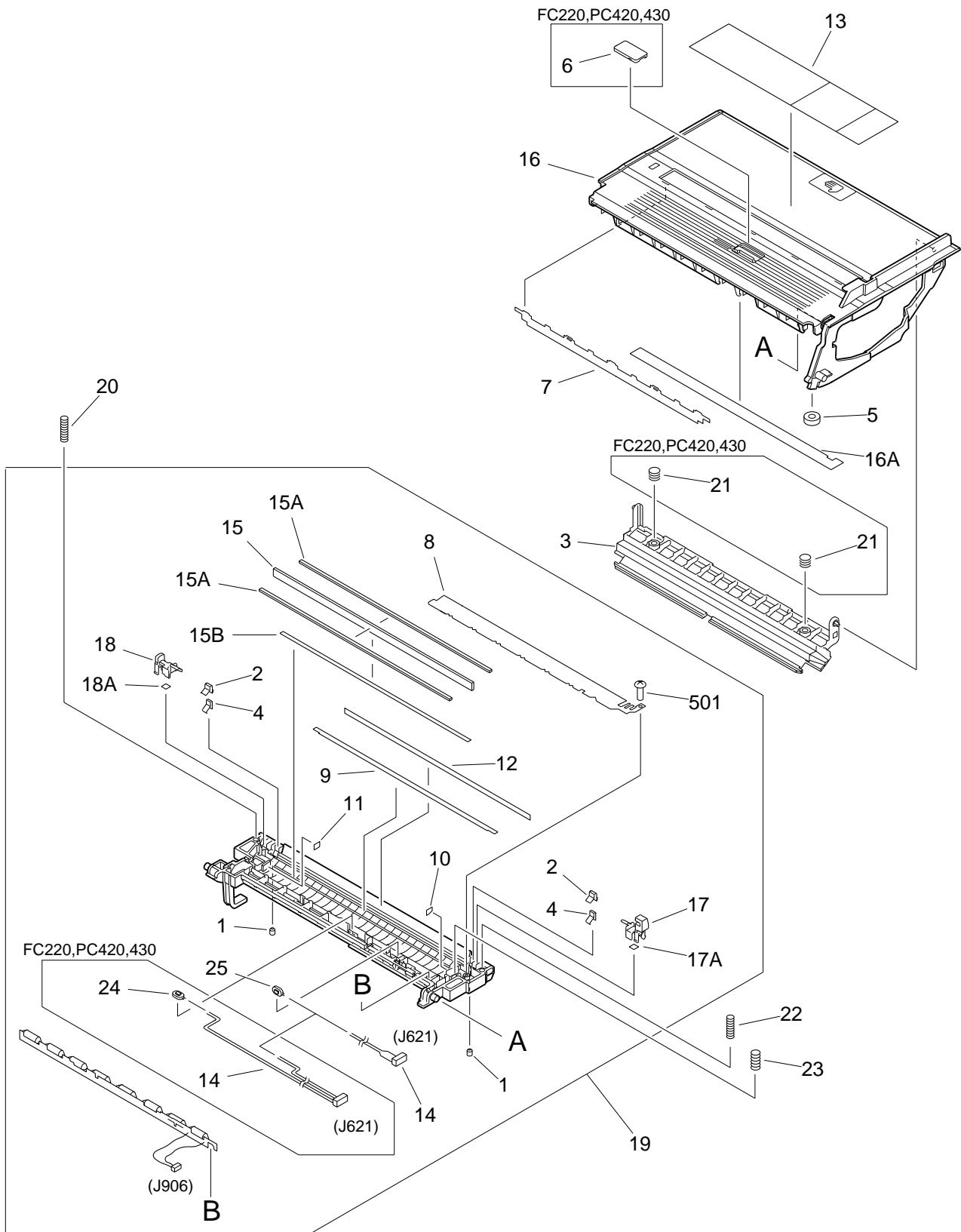
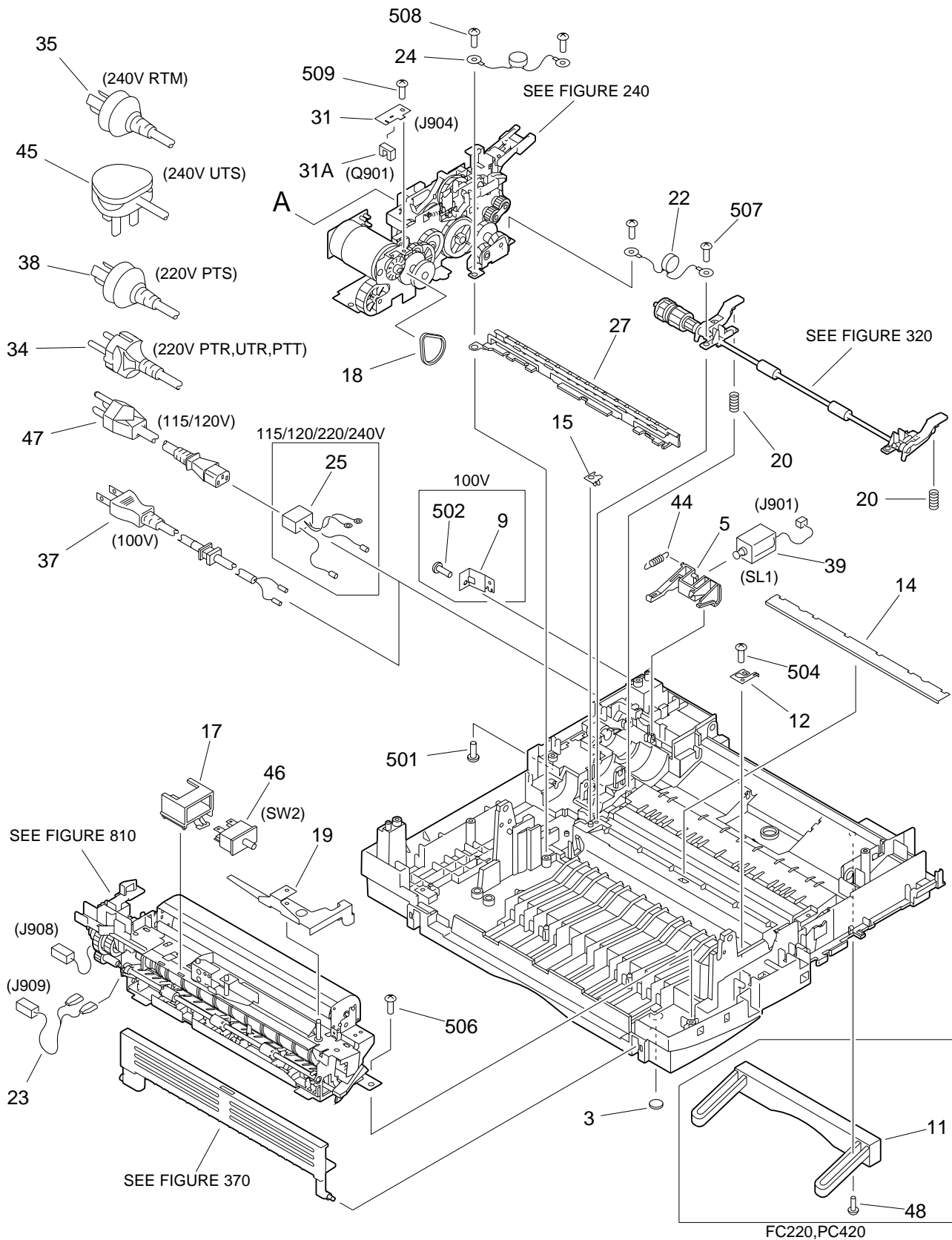


FIGURE & KEY NO.	PART NUMBER	RANK	QTY	DESCRIPTION	SERIAL NUMBER / REMARKS
101 -	NPN		RF	UPPER MAIN BODY	
1	FA9 - 2864 - 000		2	SET SCREW,M3X4	
2	FB1 - 7381 - 000		2	PLATE, RETAINER	
3	FB1 - 7383 - 020		1	GUIDE, PAPER PICK-UP, UPPER	FC220,PC420,430
	FB1 - 8861 - 000		1	GUIDE, PAPER PICK-UP, UPPER	FC200,PC400
4	FB1 - 7390 - 000		2	PLATE, RETAINER	
5	FB1 - 7391 - 000		1	RING, OPEN/CLOSE BRAKE	
6	FB2 - 9687 - 000		1	PLATE, AE WINDOW	FC220,PC420,430
7	FB2 - 9688 - 000		1	PLATE, SCANNER COVER	
8	FB2 - 9691 - 000		1	SHEET, ANTI-REFLECTIVE, 1	
9	FB2 - 9692 - 000		1	SHEET, ANTI-REFLECTIVE, 2	
10	FB2 - 9693 - 000		1	SHEET, ANTI-REFLECTIVE, FRONT	
11	FB2 - 9694 - 000		1	SHEET, ANTI-REFLECTIVE, REAR	
12	FB2 - 9695 - 000		1	SHEET, ANTI-REFLECTIVE, RIGHT	
13	FB4 - 0361 - 000		1	LABEL, JAM	EXCEPT CHINESE EXCEPT KOREAN
	FB4 - 0369 - 000		1	LABEL, JAM	CHINESE
	FC2 - 9144 - 000		1	LABEL, JAM	KOREAN
14	FF2 - 9929 - 000		1	CABLE, AE SENSOR	FC220,PC420,430 J621
	FF2 - 9930 - 000		1	CABLE, AE SENSOR	FC200,PC400 J621
15	FF5 - 3676 - 000		1	FIBER, OPTIC LENS ARRAY	
15 A	FB1 - 7380 - 000		2	SEAL, LIGHT SHIELD	
15 B	FB2 - 9699 - 000		1	FILTER, AIR	
16	FF5 - 6415 - 000		1	COVER, UPPER BODY	FC220,PC420,430 WHITE
	FF5 - 6416 - 000		1	COVER, UPPER BODY	FC220,PC420 GRAY
	FF5 - 6437 - 000		1	COVER, UPPER BODY	FC200,PC400 WHITE
	FF5 - 6438 - 000		1	COVER, UPPER BODY	FC200,PC400 GRAY
16 A	FB2 - 9696 - 000		1	SHEET, ANTI-REFLECTIVE, UPPER	
17	FF5 - 6424 - 000		1	BLOCK, FRONT SPACER	
17 A	FB4 - 0051 - 000		1	SHEET, SHARP CUT	
18	FF5 - 6425 - 000		1	BLOCK, REAR SPACER	

FIGURE & KEY NO.	PART NUMBER	RANK	QTY	DESCRIPTION	SERIAL NUMBER / REMARKS
101 - 18 A	FB4 - 0051 - 000		1	SHEET, SHARP CUT	
19	FG5 - 9608 - 000		1	UPPER MAIN BODY SUB UNIT	FC220,PC420,430
	FG5 - 9477 - 000		1	UPPER MAIN BODY SUB UNIT	FC200,PC400
20	FS5 - 2337 - 000		1	SPRING, COMPRESSION	
21	FS5 - 2358 - 000		2	SPRING, COMPRESSION	FC220,PC420,430
22	FS5 - 2359 - 000		1	SPRING, COMPRESSION	
23	FS6 - 2168 - 000		1	SPRING, COMPRESSION	
24	WG3 - 0055 - 000		1	PHOTO-DIODE, BS520	FC220,PC420,430
25	WG3 - 0055 - 000		1	PHOTO-DIODE, BS520	
501	XB4 - 7300 - 509		1	SCREW,TAPPING,TRUSS HEAD,M3X5	

# FIGURE 102 LOWER MAIN BODY (FC220,PC420,PC430)(1/2)



# FIGURE 102 LOWER MAIN BODY (FC220,PC420,PC430)(2/2)

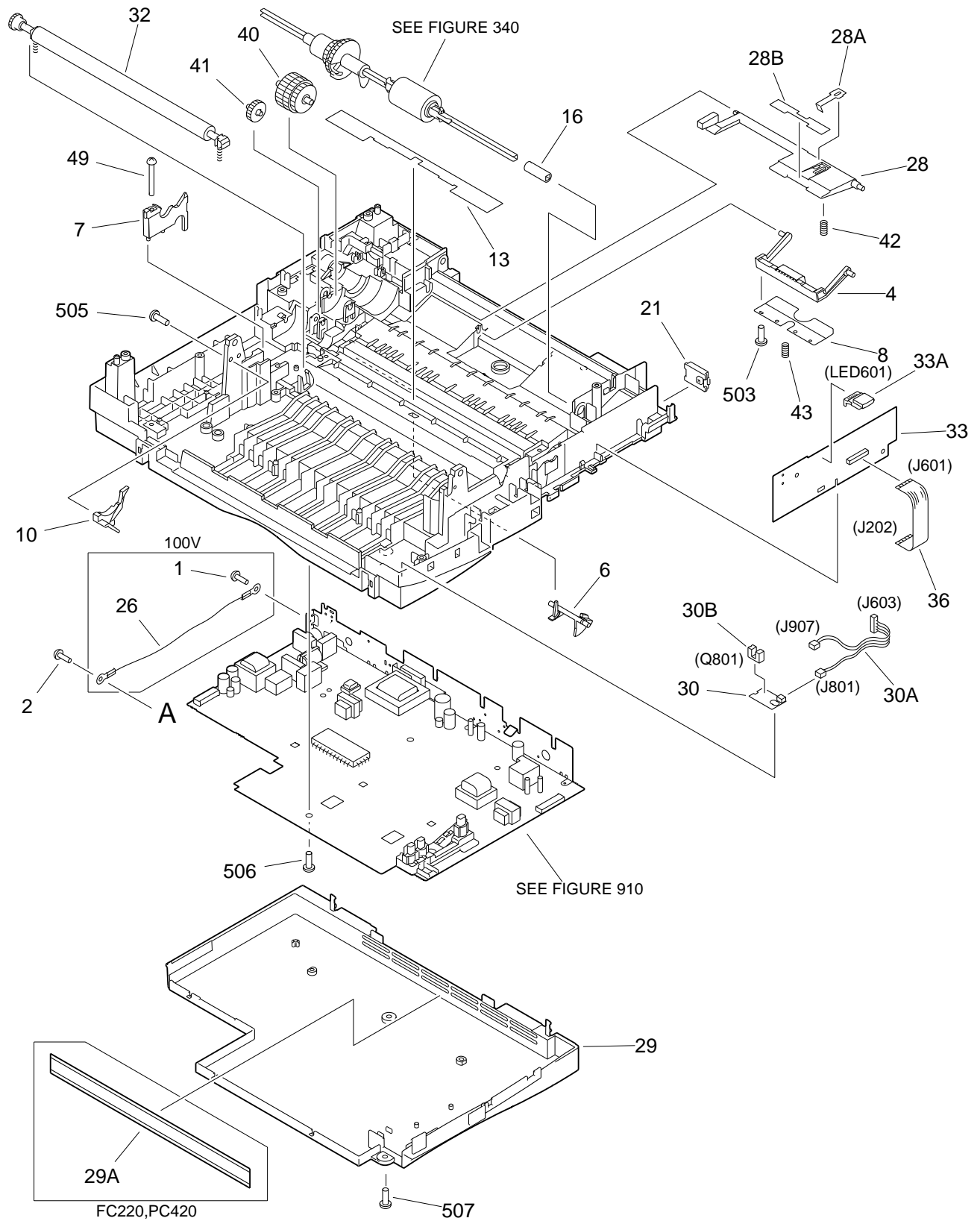


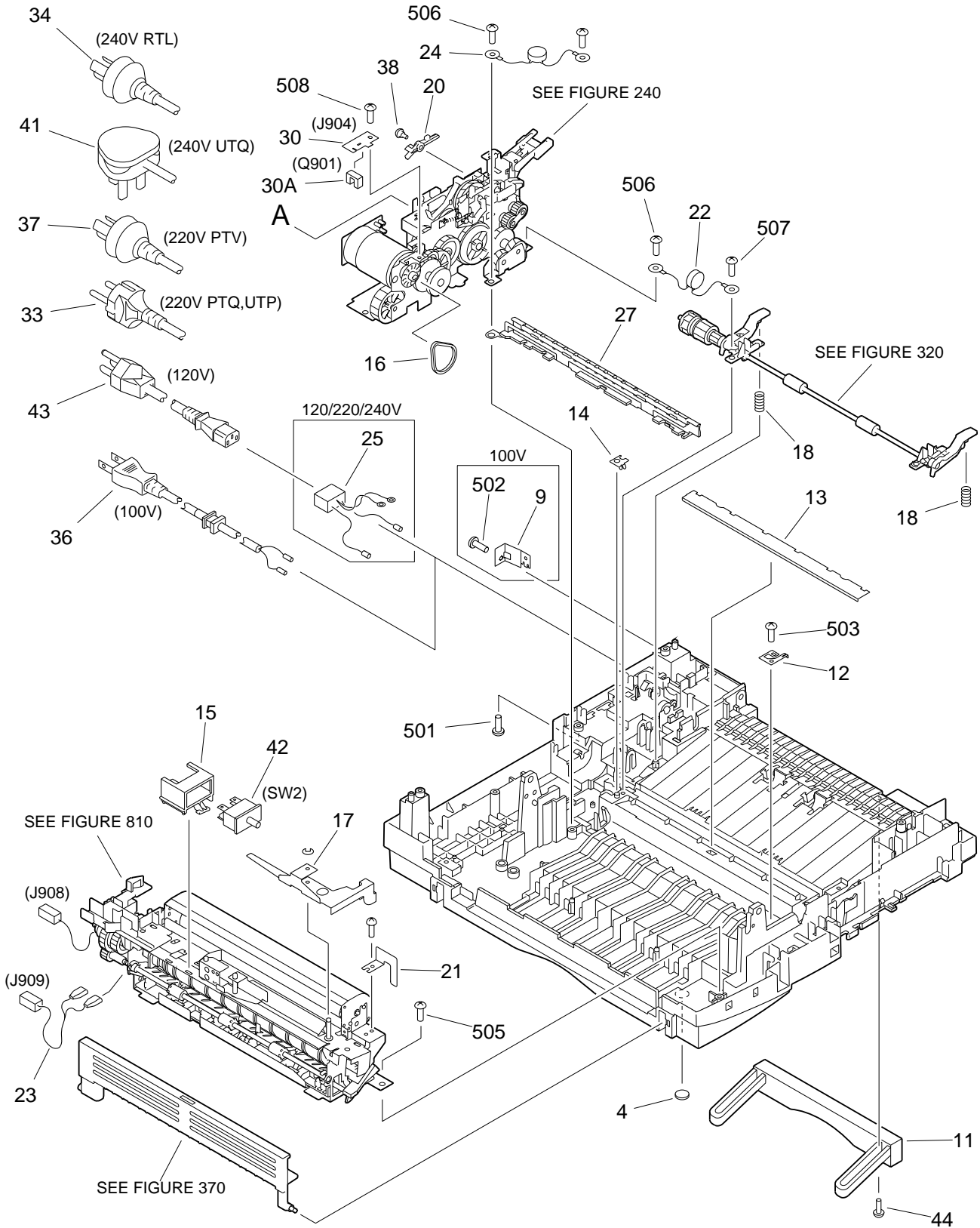
FIGURE & KEY NO.	PART NUMBER	RANK	QTY	DESCRIPTION	SERIAL NUMBER / REMARKS
102 -	NPN		RF	LOWER MAIN BODY	FC220,PC420,430
1	FA9 - 2568 - 000		1	SCREW,MACH.,TRUSS HEAD	100V
2	FA9 - 2568 - 000		1	SCREW,MACH.,TRUSS HEAD	
3	FB1 - 0723 - 000		2	PAD, RUBBER	
4	FB1 - 7281 - 000		1	ARM, SEPARATION	
5	FB1 - 7284 - 000		1	ARM, SOLENOID	
6	FB1 - 7285 - 000		1	ARM, PAPER PICK-UP SENSOR	
7	FB1 - 9273 - 000		1	MOUNT, CARTRIDGE, REAR	
8	FB1 - 9280 - 000		1	PLATE, SEPARATION ARM	
9	FB2 - 9566 - 000		1	PLATE, GROUNDING	100V
10	FB2 - 9570 - 000		1	BLOCK, SHUTTER	
11	FB2 - 9571 - 000		1	GRIP	FC220,PC420 WHITE
	FB2 - 9579 - 000		1	GRIP	FC220,PC420 GRAY
12	FB2 - 9572 - 000		1	PLATE, TRANSFER TERMINAL	
13	FB2 - 9573 - 000		1	SHEET, REGISTRATION	
14	FB2 - 9574 - 000		1	GUIDE, TRANSFER, LOWER	
15	FB2 - 9575 - 000		1	PLATE, CONTINUITY	
16	FB2 - 9589 - 000		1	BUSHING	
17	FB2 - 9622 - 020		1	HOLDER, DOOR SWITCH	
18	FB2 - 9641 - 000		1	BELT, FAN	
19	FB4 - 0048 - 000		1	PLATE, DOOR SWITCH LINK, 2	
20	FB4 - 0055 - 000		2	SPRING, COMPRESSION	
21	FB4 - 0301 - 000		1	KEY TOP, DENSITY CORRECTION	
22	FF2 - 7829 - 000		1	VARISTOR	
23	FF2 - 9928 - 000		1	CABLE, HEATER CONNECTOR	J909
24	FF3 - 0150 - 000		1	VARISTOR	
25	FF3 - 2663 - 000		1	INLET, AC	115/120/220/240V
26	FF3 - 2664 - 000		1	CABLE, GROUNDING	100V
27	FF5 - 1644 - 040		1	STATIC CHARGE ELIMINATOR	
28	FF5 - 3660 - 000		1	ARM, LIFTER	



FIGURE & KEY NO.	PART NUMBER	RANK	QTY	DESCRIPTION	SERIAL NUMBER / REMARKS
102 - 28 A	FB1 - 7283 - 000		1	SPRING, LEAF	
28 B	FB2 - 9590 - 000		1	SHEET, GUIDE	
29	FF5 - 6411 - 000		1	COVER, PCB UNIT	FC220,PC420 WHITE
	FF5 - 6412 - 000		1	COVER, PCB UNIT	FC220,PC420 GRAY
	FB4 - 0297 - 000		1	COVER, PCB UNIT	PC430 WHITE
29 A	FB1 - 7467 - 000		1	SHEET, MESH	FC220,PC420
30	FG5 - 4799 - 000		1	DELIVERY SENSOR PCB ASSEMBLY	
30 A	FF3 - 0148 - 000		1	CABLE, DELIVERY THERMISTOR	J603,801,907
30 B	WG8 - 0280 - 000		1	PHOTO-INTERRUPTER	Q801
31	FG5 - 4808 - 000		1	MOTOR DRIVE SENSOR PCB ASS'Y	J904
31 A	WG8 - 0280 - 000		1	PHOTO-INTERRUPTER	Q901
32	FG5 - 4815 - 000		1	TRANSFER ROLLER UNIT	
33	FG5 - 9456 - 000		1	CONTROL PANEL PCB UNIT	
33 A	FH6 - 3815 - 000		1	LED, 7 SEGMENT	LED601
34	FH2 - 5274 - 000		1	CORD, POWER SUPPLY	220V PTR,UTR,PTT
35	FH2 - 5276 - 030		1	CORD, POWER SUPPLY	240V RTM
36	FH2 - 6223 - 000		1	CABLE, FLAT	J202,601
37	FH2 - 6427 - 000		1	CORD, POWER SUPPLY	100V
38	FH2 - 6488 - 000		1	CORD, POWER	220V PTS
39	FH9 - 0492 - 000		1	SOLENOID, DC24V	SL1 J901
40	FS5 - 0436 - 000		1	GEAR, 29T/34T/38T	
41	FS5 - 0437 - 000		1	GEAR, 22T	
42	FS5 - 2332 - 000		1	SPRING, COMPRESSION	
43	FS5 - 2333 - 000		1	SPRING, COMPRESSION	
44	FS5 - 2334 - 000		1	SPRING, TENSION	
45	RH2 - 5015 - 000		1	CORD, POWER SUPPLY	240V UTS
46	WC8 - 5058 - 000		1	MICROSWITCH, DOOR	SW2
47	WT3 - 5021 - 000		1	CORD, POWER SUPPLY	115/120V
48	XA9 - 0767 - 000		2	SCREW,TP,M3X10	FC220,PC420
49	XA9 - 0938 - 000		1	SCREW,TP,M3X35	

FIGURE & KEY NO.	PART NUMBER	RANK	QTY	DESCRIPTION	SERIAL NUMBER / REMARKS
102 - 501	XB2 - 7300 - 607		2	SCREW,W/WASHER,M3X6	100V
502	XB2 - 7300 - 607		1	SCREW,W/WASHER,M3X6	
503	XB4 - 7260 - 609		2	SCREW,TAPPING,TRUSS HEAD,2.6X6	
504	XB4 - 7300 - 509		1	SCREW,TAPPING,TRUSS HEAD,M3X5	
505	XB4 - 7300 - 809		1	SCREW,TAPPING,TRUSS HEAD,M3X8	
506	XB4 - 7400 - 805		5	SCREW,TAPPING,TRUSS HEAD,M4X8	
507	XB4 - 7401 - 009		2	SCREW,TAPPING,TRUSS HEAD,M4X10	
508	XB4 - 7401 - 009		4	SCREW,TAPPING,TRUSS HEAD,M4X10	
509	XB6 - 7300 - 409		1	SCREW,TP,M3X4	

# FIGURE 102A LOWER MAIN BODY (FC200,PC400)(1/2)



# FIGURE 102A LOWER MAIN BODY (FC200,PC400)(2/2)

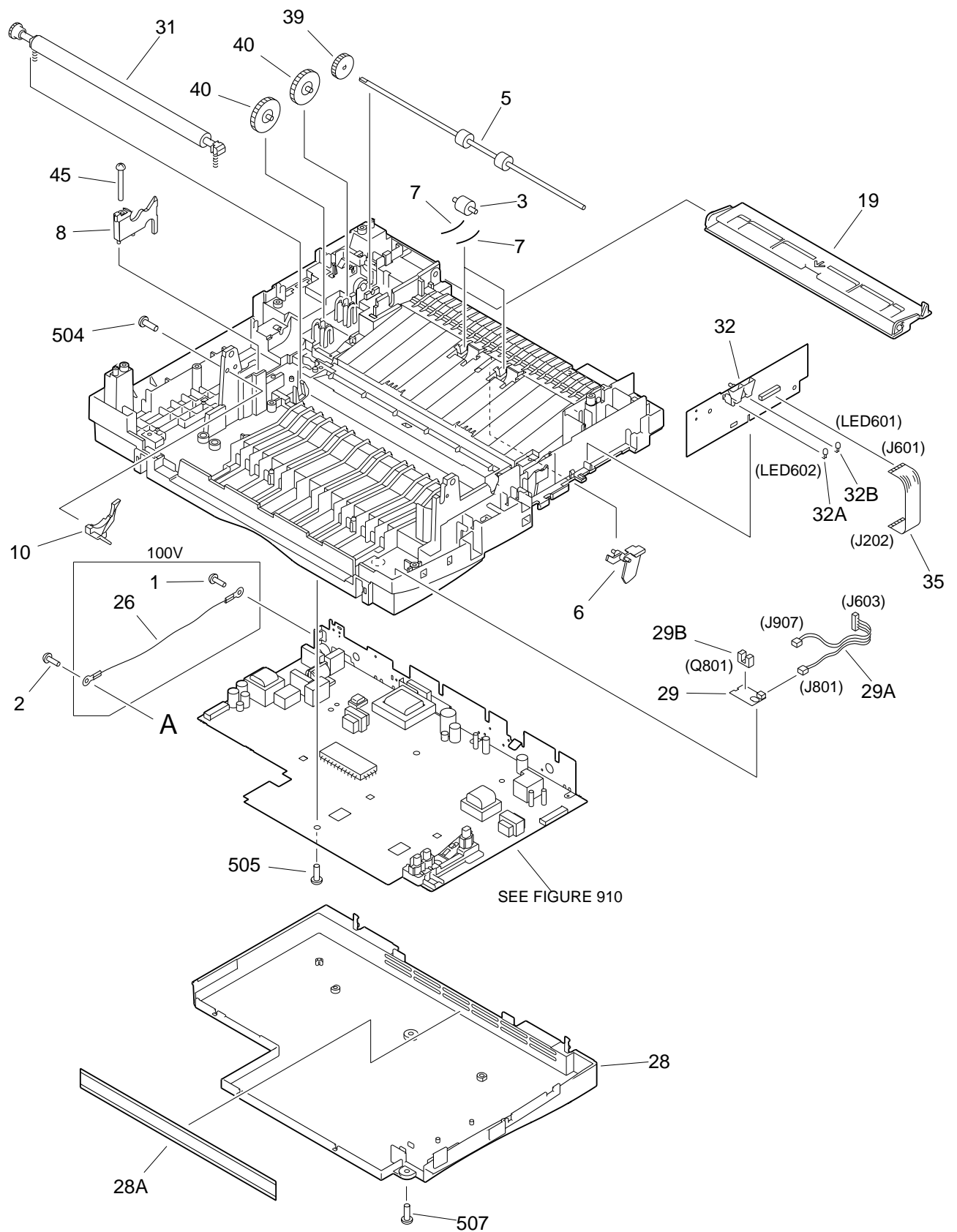


FIGURE & KEY NO.	PART NUMBER	RANK	QTY	DESCRIPTION	SERIAL NUMBER / REMARKS
102A -	NPN		RF	LOWER MAIN BODY	FC200,PC400
1	FA9 - 2568 - 000		1	SCREW,MACH.,TRUSS HEAD	100V
2	FA9 - 2568 - 000		1	SCREW,MACH.,TRUSS HEAD	
3	FB1 - 0624 - 000		2	ROLLER, PAPER PICK-UP	
4	FB1 - 0723 - 000		2	PAD, RUBBER	
5	FB1 - 8832 - 000		1	ROLLER, SLIP	
6	FB1 - 8833 - 020		1	ARM, PAPER PICK-UP SENSOR	
7	FB1 - 8835 - 000		4	SPRING, WIRE	
8	FB1 - 9273 - 000		1	MOUNT, CARTRIDGE, REAR	
9	FB2 - 9566 - 000		1	PLATE, GROUNDING	100V
10	FB2 - 9570 - 000		1	BLOCK, SHUTTER	
11	FB2 - 9571 - 000		1	GRIP	WHITE
	FB2 - 9579 - 000		1	GRIP	GRAY
12	FB2 - 9572 - 000		1	PLATE, TRANSFER TERMINAL	
13	FB2 - 9574 - 000		1	GUIDE, TRANSFER, LOWER	
14	FB2 - 9575 - 000		1	PLATE, CONTINUITY	
15	FB2 - 9622 - 020		1	HOLDER, DOOR SWITCH	
16	FB2 - 9641 - 000		1	BELT, FAN	
17	FB4 - 0048 - 000		1	PLATE, DOOR SWITCH LINK, 2	
18	FB4 - 0055 - 000		2	SPRING, COMPRESSION	
19	FB4 - 0240 - 000		1	TRAY, MANUAL PAPER FEED	100V WHITE
	FB4 - 0241 - 000		1	TRAY, MANUAL PAPER FEED	100V GRAY
	FB4 - 0242 - 000		1	TRAY, MANUAL PAPER FEED	120/220/240V WHITE
	FB4 - 0243 - 000		1	TRAY, MANUAL PAPER FEED	120/220/240V GRAY
20	FB4 - 0246 - 000		1	LINK, 5	
21	FB4 - 0262 - 000		1	PLATE, LINK BLANKING	
22	FF2 - 7829 - 000		1	VARISTOR	
23	FF2 - 9928 - 000		1	CABLE, HEATER CONNECTOR	J909
24	FF3 - 0150 - 000		1	VARISTOR	
25	FF3 - 2663 - 000		1	INLET, AC	120/220/240V

FIGURE & KEY NO.	PART NUMBER	RANK	QTY	DESCRIPTION	SERIAL NUMBER / REMARKS
102A - 26	FF3 - 2664 - 000		1	CABLE, GROUNDING	100V
27	FF5 - 1644 - 040		1	STATIC CHARGE ELIMINATOR	
28	FF5 - 6411 - 000		1	COVER, PCB UNIT	WHITE
	FF5 - 6412 - 000		1	COVER, PCB UNIT	GRAY
28 A	FB1 - 7467 - 000		1	SHEET, MESH	
29	FG5 - 4799 - 000		1	DELIVERY SENSOR PCB ASSEMBLY	
29 A	FF3 - 0148 - 000		1	CABLE, DELIVERY THERMISTOR	J603,801,907
29 B	WG8 - 0280 - 000		1	PHOTO-INTERRUPTER	Q801
30	FG5 - 4808 - 000		1	MOTOR DRIVE SENSOR PCB ASS'Y	J904
30 A	WG8 - 0280 - 000		1	PHOTO-INTERRUPTER	Q901
31	FG5 - 4815 - 000		1	TRANSFER ROLLER UNIT	
32	FG5 - 9504 - 000		1	CONTROL PANEL PCB UNIT	
32 A	FH9 - 0535 - 000		1	LED, SLA-380LT3F	LED602
32 B	FH9 - 0536 - 000		1	LED, SLA-380MT3F	LED601
33	FH2 - 5274 - 000		1	CORD, POWER SUPPLY	220V PTQ,UTP
34	FH2 - 5276 - 030		1	CORD, POWER SUPPLY	240V RTL
35	FH2 - 6224 - 000		1	CABLE, FLAT	J202,601
36	FH2 - 6427 - 000		1	CORD, POWER SUPPLY	100V
37	FH2 - 6488 - 000		1	CORD, POWER	220V PTV
38	FS1 - 9102 - 000		1	SCREW, STEPPED, M3	
39	FS5 - 0464 - 000		1	GEAR, 27T	
40	FS5 - 0465 - 000		2	GEAR, 39T	
41	RH2 - 5015 - 000		1	CORD, POWER SUPPLY	240V UTQ
42	WC8 - 5058 - 000		1	MICROSWITCH, DOOR	
43	WT3 - 5021 - 000		1	CORD, POWER SUPPLY	120V
44	XA9 - 0767 - 000		2	SCREW, TP, M3X10	
45	XA9 - 0938 - 000		1	SCREW, TP, M3X35	
501	XB2 - 7300 - 607		2	SCREW, W/WASHER, M3X6	
502	XB2 - 7300 - 607		1	SCREW, W/WASHER, M3X6	100V
503	XB4 - 7300 - 509		1	SCREW, TAPPING, TRUSS HEAD, M3X5	

FIGURE & KEY NO.	PART NUMBER	R A N K	Q' T Y	DESCRIPTION	SERIAL NUMBER / REMARKS
102A - 504	XB4 - 7300 - 809		1	SCREW,TAPPING,TRUSS HEAD,M3X8	
505	XB4 - 7400 - 805		5	SCREW,TAPPING,TRUSS HEAD,M4X8	
506	XB4 - 7401 - 009		3	SCREW,TAPPING,TRUSS HEAD,M4X10	
507	XB4 - 7401 - 009		2	SCREW,TAPPING,TRUSS HEAD,M4X10	
508	XB6 - 7300 - 409		1	SCREW,TP,M3X4	

# CONTROL PANEL ASSEMBLY (FC220,PC420,PC430)

## FIGURE 130

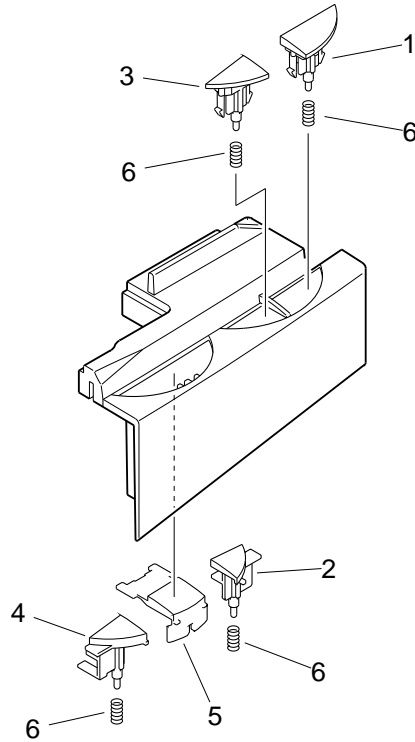


FIGURE & KEY NO.	PART NUMBER	R A N K	Q' T Y	DESCRIPTION	SERIAL NUMBER / REMARKS
130 -	FG5 - 9553 - 000		1	CONTROL PANEL ASSEMBLY	FC220,PC420,430 WHITE
	FG5 - 9554 - 000		1	CONTROL PANEL ASSEMBLY	FC220,PC420 GRAY
	FB4 - 0035 - 000		1	KEY TOP, COPY	
2	FB4 - 0036 - 000		1	KEY TOP, PLUS	
3	FB4 - 0037 - 000		1	KEY TOP, CLEAR	
4	FB4 - 0038 - 000		1	KEY TOP, AE SETTING	WHITE
	FB4 - 0318 - 000		1	KEY TOP, AE SETTING	GRAY
5	FB4 - 0039 - 000		1	PANEL, CLEAR	
6	FB4 - 0325 - 000		4	SPRING, COMPRESSION	



# FIGURE 130A CONTROL PANEL ASSEMBLY (FC200,PC400)

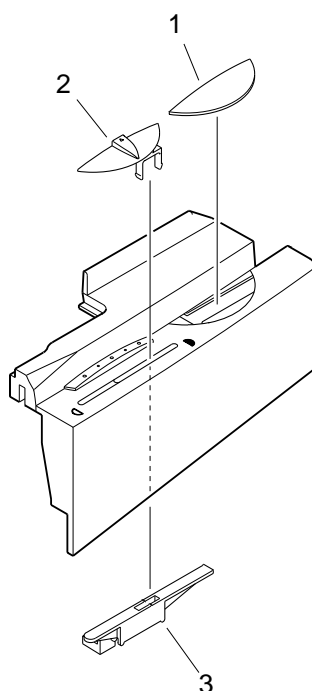
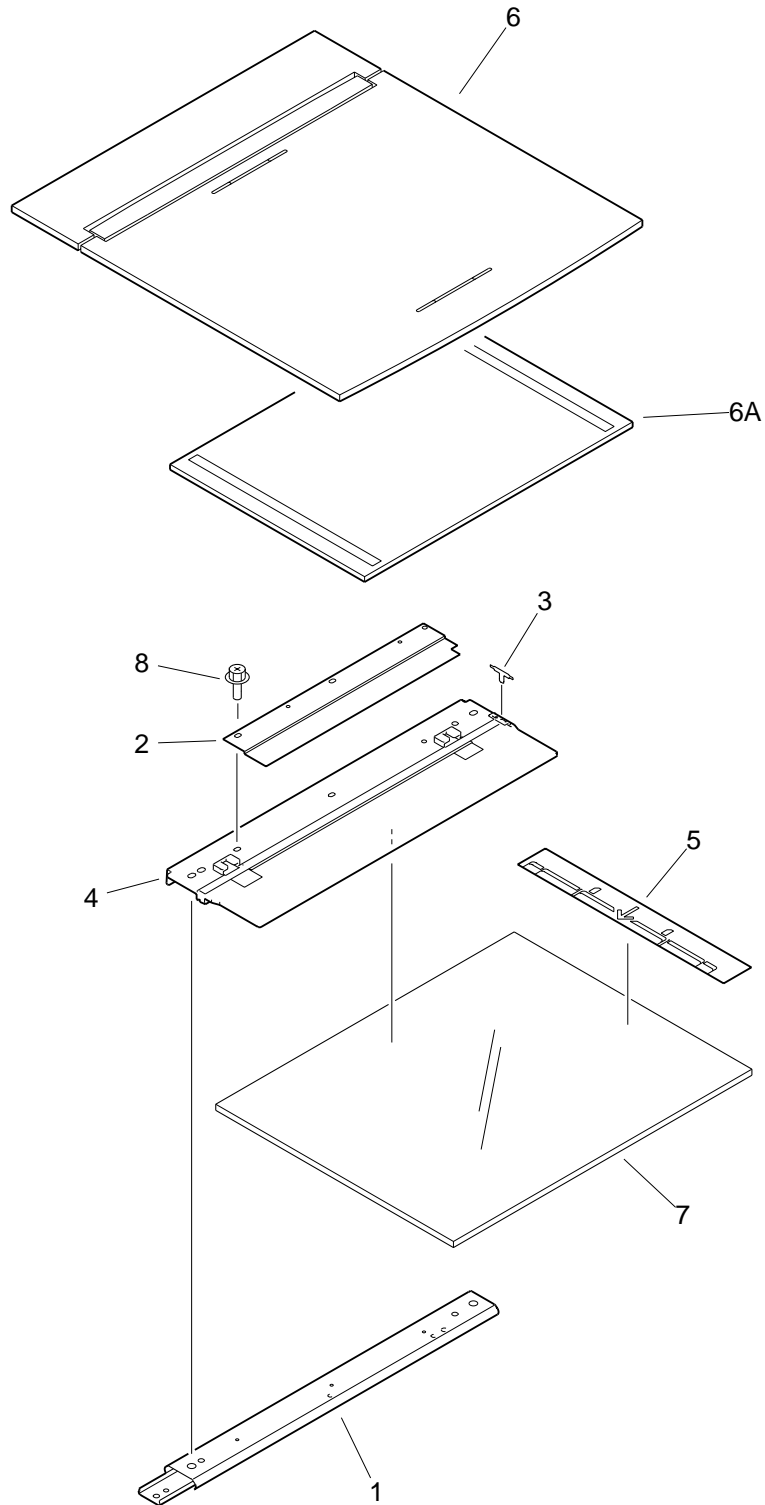


FIGURE & KEY NO.	PART NUMBER	RANK	QTY	DESCRIPTION	SERIAL NUMBER / REMARKS
130A -	FG5 - 9492 - 000		1	CONTROL PANEL ASSEMBLY	FC200,PC400 WHITE
	FG5 - 9493 - 000		1	CONTROL PANEL ASSEMBLY	FC200,PC400 GRAY
1	FB4 - 0257 - 000		1	PANEL, CLEAR	
2	FB4 - 0258 - 000		1	LEVER, DENSITY CONTROL, 1	WHITE
	FB4 - 0260 - 000		1	LEVER, DENSITY CONTROL, 1	GRAY
3	FB4 - 0259 - 000		1	LEVER, DENSITY CONTROL, 2	WHITE
	FB4 - 0261 - 000		1	LEVER, DENSITY CONTROL, 2	GRAY

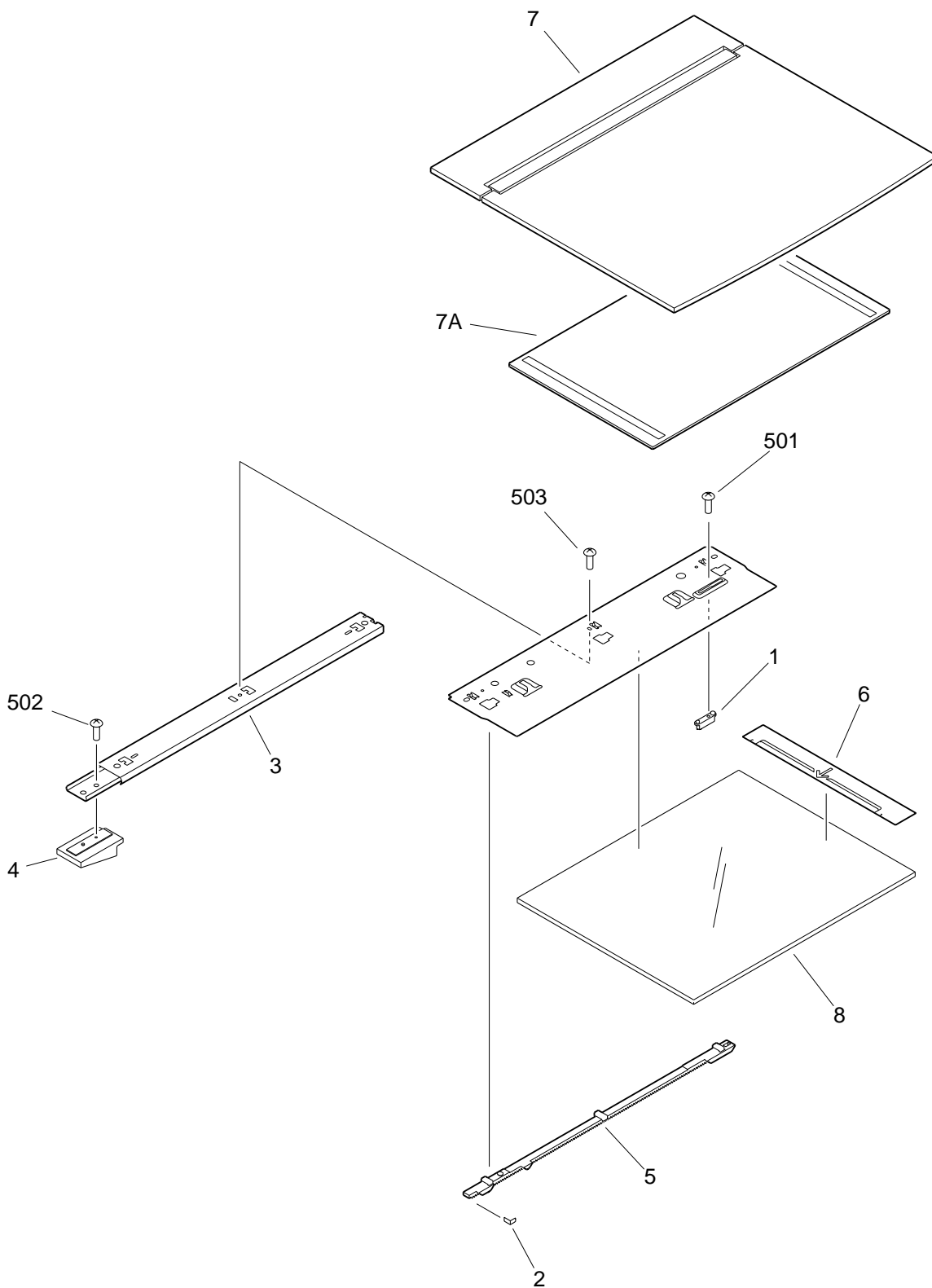
# FIGURE 160 COPYBOARD COVER ASSEMBLY (FC220,PC420,FC200,PC400)



NOTE: This assembly does not include the parts shown with key No.6 and 6A.

FIGURE & KEY NO.	PART NUMBER	RANK	QTY	DESCRIPTION	SERIAL NUMBER / REMARKS
160 -	FG5 - 9572 - 000		1	COPYBOARD COVER ASSEMBLY	FC220 LTH,LTL FC200 LTM,LTG FC220 NVD,PTR,RTM, UTR,UTS,PTS,PTT FC200 PTQ,RTL,UTP, UTQ,PTV PC400 PC420
	FG5 - 9573 - 000		1	COPYBOARD COVER ASSEMBLY	
1	FB4 - 0027 - 000		1	RAIL	
2	FB4 - 0029 - 000		1	PLATE, RACK SUPPORT	
3	FB4 - 0030 - 000		1	SHEET, RACK GUIDE	
4	FB4 - 0310 - 000		1	MOUNT, RACK	
5	FB4 - 0372 - 000		1	PLATE, VERTICAL SIZE INDEX	A4/A5 B5/B6
	FB4 - 0373 - 000		1	PLATE, VERTICAL SIZE INDEX	A4/A5 B5 LTR/STMT
6	FF5 - 6407 - 000		1	COVER, COPYBOARD	SEE NOTE WHITE
	FF5 - 6408 - 000		1	COVER, COPYBOARD	SEE NOTE GRAY
6 A	FB1 - 7451 - 000		1	SHEET, COPYBOARD	SEE NOTE
7	FN1 - 4327 - 000		1	GLASS, COPYBOARD	
8	XA9 - 0762 - 000		3	SCREW,RS,M3X8	

# FIGURE 161 COPYBOARD COVER ASSEMBLY (PC430)



NOTE: This assembly does not include the parts shown with key No. 4, 7, 7A and 502.

FIGURE & KEY NO.	PART NUMBER	RANK	QTY	DESCRIPTION	SERIAL NUMBER / REMARKS
161 -	FG5 - 4787 - 000		1	COPYBOARD COVER ASSEMBLY	PC430
1	FB1 - 7438 - 000		1	CAM, REGISTRATION	
2	FB1 - 7439 - 000		1	SHEET, RACK GUIDE	
3	FB1 - 8865 - 020		1	RAIL	
4	FB1 - 8874 - 000		1	SUPPORT, RAIL	SEE NOTE PC430
5	FB2 - 9728 - 000		1	RACK	
6	FB2 - 9732 - 000		1	PLATE, SIZE INDEX	LTR/STMT/LGL A4/A5
7	FF5 - 6409 - 000		1	COVER, COPYBOARD	SEE NOTE PC430
7 A	FB1 - 8870 - 000		1	SHEET, COPYBOARD	SEE NOTE PC430
8	FN1 - 4329 - 000		1	GLASS, COPYBOARD	
501	XB4 - 7300 - 609		1	SCREW,TAPPING,TRUSS HEAD,M3X6	
502	XB4 - 7300 - 609		1	SCREW,TAPPING,TRUSS HEAD,M3X6	SEE NOTE PC430
503	XB5 - 2300 - 509		1	SCREW,CT,M3X5	

# FIGURE 240 COPYBOARD DRIVE ASSEMBLY

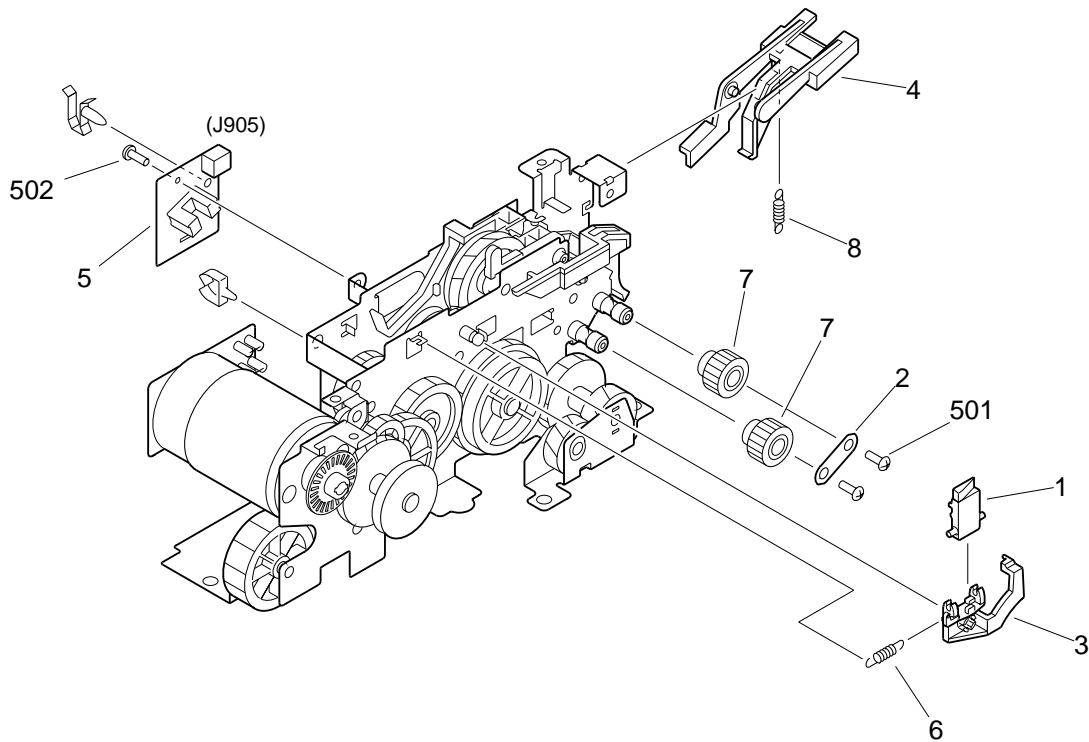
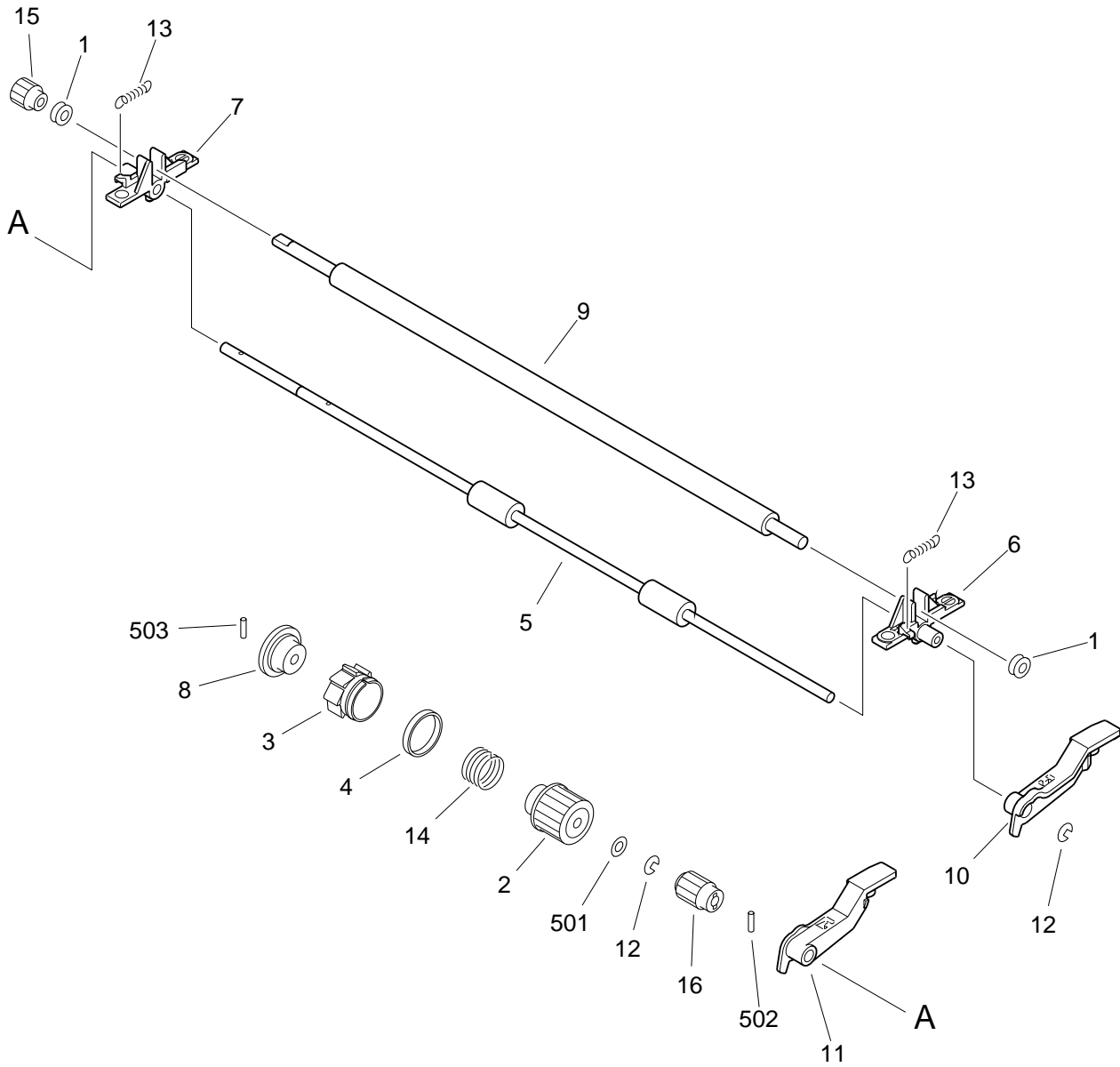


FIGURE & KEY NO.	PART NUMBER	RANK	QTY	DESCRIPTION	SERIAL NUMBER / REMARKS
240 -	FG5 - 9534 - 000		1	COPYBOARD DRIVE ASSEMBLY	
1	FB1 - 7356 - 000		1	LINK, REGISTRATION, 1	
2	FB2 - 9639 - 000		1	PLATE, GEAR SUPPORT	
3	FB2 - 9645 - 020		1	LINK, REGISTRATION, 2	
4	FB4 - 0353 - 000		1	LINK, REGISTRATION, 4	
5	FG5 - 4800 - 000		1	COPYBOARD POSITION SENSOR PCB	J905
6	FS5 - 2347 - 000		1	SPRING, TENSION	
7	FS6 - 0355 - 000		2	GEAR, 16T	
8	FS6 - 2728 - 000		1	SPRING, TENSION	
501	XB1 - 2300 - 409		10	SCREW,MACH.,TRUSS HEAD,M3X4	
502	XB6 - 7300 - 409		2	SCREW,TP,M3X4	

# FIGURE 320 REGISTRATION ROLLER ASSEMBLY



NOTE: This assembly does not include the parts shown with key No. 1, 9, 13 and 15.

FIGURE & KEY NO.	PART NUMBER	RANK	QTY	DESCRIPTION	SERIAL NUMBER / REMARKS
320 -	FG5 - 9535 - 000		1	REGISTRATION ROLLER ASSEMBLY	
1	FB1 - 7316 - 000		2	BUSHING	SEE NOTE
2	FB1 - 7317 - 000		1	GEAR, 20T	
3	FB1 - 7319 - 000		1	RING, CONTROL	
4	FB1 - 7344 - 000		1	RUBBER, RING	
5	FB2 - 9594 - 000		1	ROLLER, REGISTRATION, LOWER	
6	FB2 - 9595 - 000		1	SUPPORT, REGIST. ROLLER, FRONT	
7	FB2 - 9596 - 000		1	SUPPORT, REGIST. ROLLER. REAR	
8	FB2 - 9599 - 000		1	DRUM, CLUTCH	
9	FB2 - 9600 - 000		1	ROLLER, REGISTRATION, UPPER	SEE NOTE
10	FB4 - 0053 - 000		1	ARM, PRESSURE RELEASE, FRONT	
11	FB4 - 0054 - 000		1	ARM, PRESSURE RELEASE, REAR	
12	FB9 - 0001 - 000		2	RING,E	
13	FS5 - 2349 - 000		2	SPRING, TENSION	SEE NOTE
14	FS5 - 2351 - 000		1	SPRING, CLUTCH	
15	FS6 - 0345 - 000		1	GEAR, 18T	SEE NOTE
16	FS6 - 0347 - 000		1	GEAR, 20T	
501	XD1 - 1104 - 132		1	SHIM	
502	XD3 - 2160 - 062		1	PIN,DOWEL	
503	XD3 - 2160 - 162		1	PIN,DOWEL	



# PAPER PICK-UP ROLLER ASSEMBLY (FC220,PC420,PC430)

## FIGURE 340

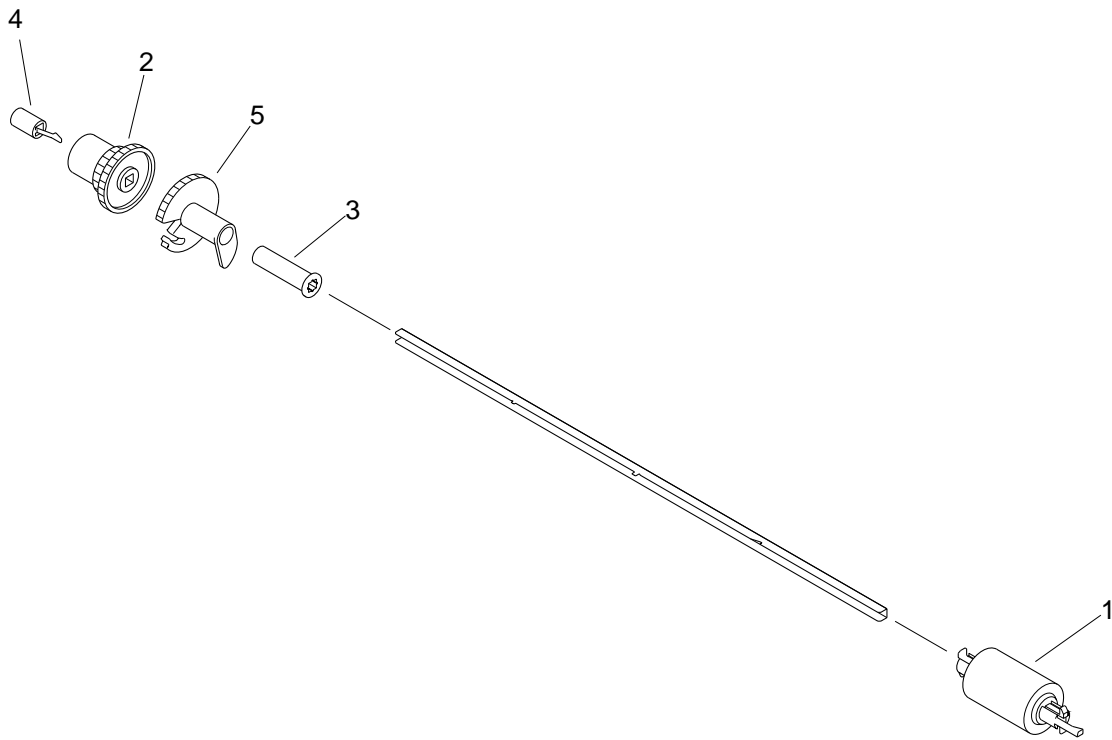
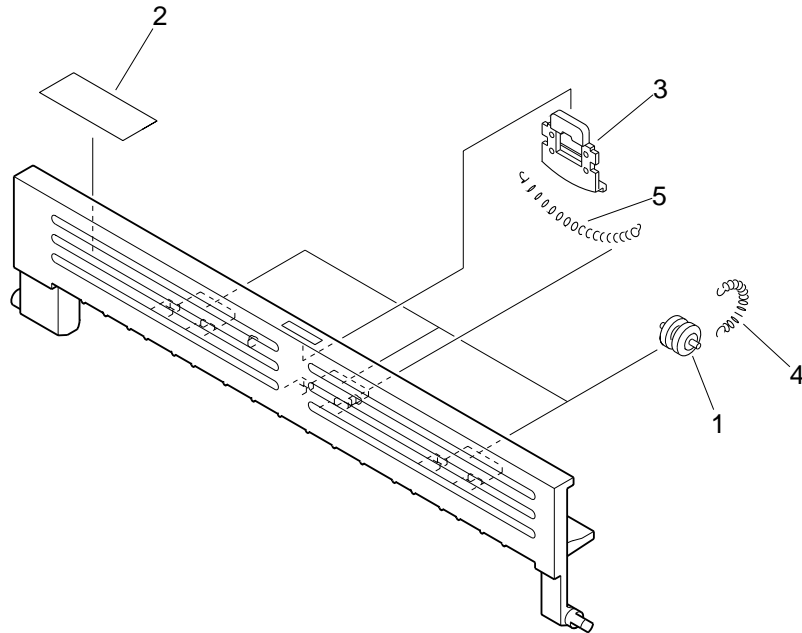


FIGURE & KEY NO.	PART NUMBER	R A N K	Q' T Y	DESCRIPTION	SERIAL NUMBER / REMARKS
340 -	FG5 - 9609 - 000		1	PAPER PICK-UP ROLLER ASSEMBLY	FC220,PC420,430
1	FB1 - 7303 - 000		1	ROLLER, PAPER PICK-UP	
2	FB1 - 7305 - 000		1	GEAR, 34T	
3	FB1 - 7306 - 000		1	BUSHING	
4	FB1 - 7307 - 000		1	BUSHING	
5	FB1 - 7308 - 020		1	GEAR, 34T	

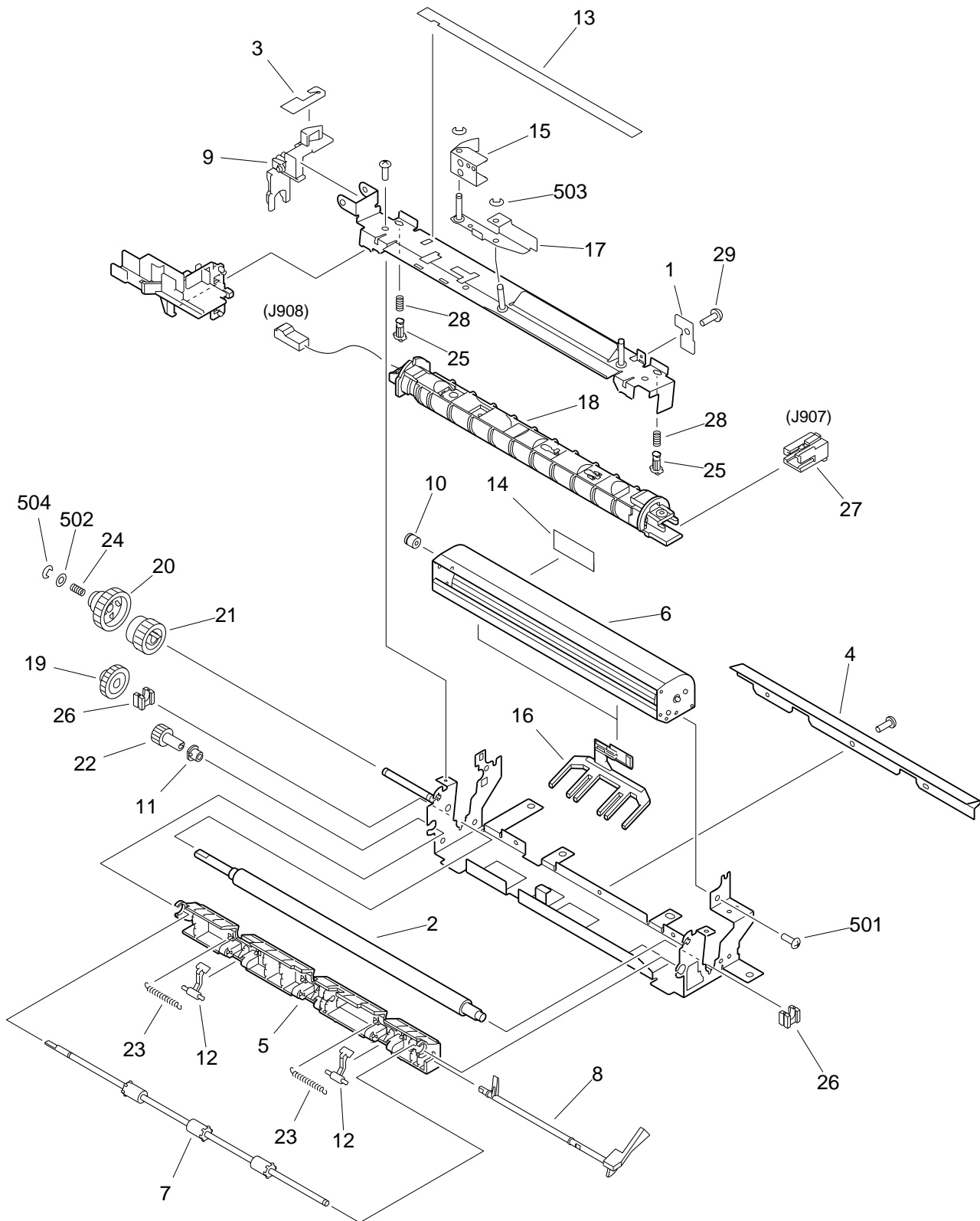
# FIGURE 370 DELIVERY COVER ASSEMBLY



NOTE: This assembly does not include the part shown with key No.2.

FIGURE & KEY NO.	PART NUMBER	RANK	QTY	DESCRIPTION	SERIAL NUMBER / REMARKS
370 -	FG5 - 9612 - 000		1	DELIVERY COVER ASSEMBLY	WHITE
	FG5 - 9613 - 000		1	DELIVERY COVER ASSEMBLY	GRAY
1	FB2 - 5016 - 000		3	ROLLER	
2	FB2 - 9653 - 000		1	LABEL, "CAUTION, HIGH TEMP."	SEE NOTE JAPANESE ENGLISH/FRENCH
	FB4 - 0365 - 000		1	LABEL, "CAUTION, HIGH TEMP."	SEE NOTE GERMAN SPANISH/ITALIAN
	FB4 - 0370 - 000		1	LABEL, "CAUTION, HIGH TEMP."	SEE NOTE CHINESE
	FC2 - 5845 - 000		1	LABEL, "CAUTION, HIGH TEMP."	SEE NOTE KOREAN
3	FB4 - 0309 - 000		1	LEVER, RELEASE	
4	FS5 - 2796 - 000		3	SPRING, TENSION	
5	FS6 - 2169 - 000		1	SPRING, TENSION	

# FIGURE 810 FIXING ASSEMBLY

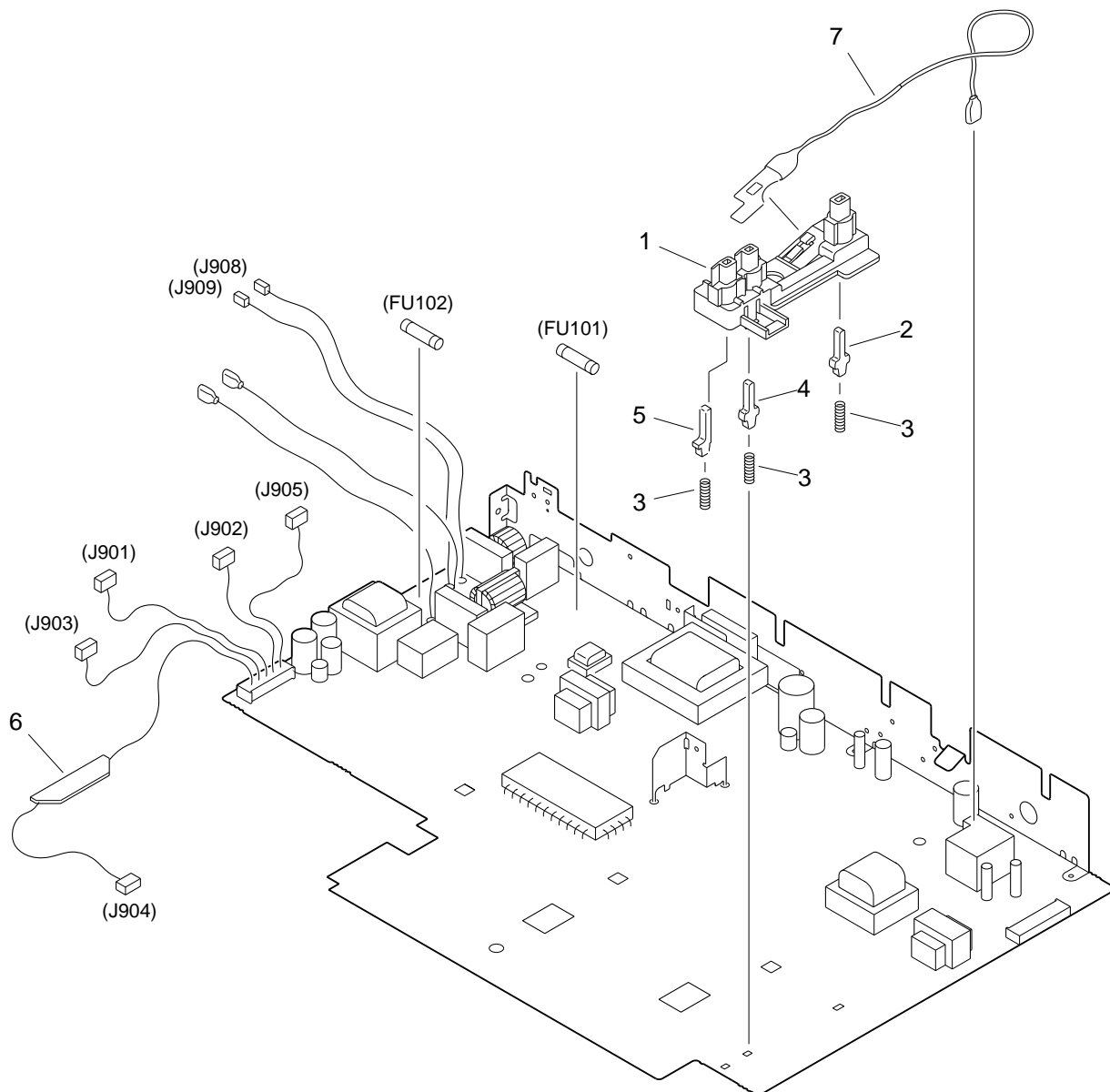


NOTE: This assembly does not include the part shown with key No.27.

FIGURE & KEY NO.	PART NUMBER	RANK	QTY	DESCRIPTION	SERIAL NUMBER / REMARKS
810 -	FG5 - 9536 - 000		1	FIXING ASSEMBLY	100V
	FG5 - 9537 - 000		1	FIXING ASSEMBLY	115/120V
	FG5 - 9539 - 000		1	FIXING ASSEMBLY	220V PTT
	FG5 - 9614 - 000		1	FIXING ASSEMBLY	220V PTS,PTV
	FG5 - 9538 - 000		1	FIXING ASSEMBLY	220V PTR,UTR,PTQ,UTP 240V
1	FB1 - 7333 - 000		1	SHEET, INSULATING	
2	FB2 - 9601 - 000		1	ROLLER, PRESSURE	
3	FB2 - 9603 - 000		1	SHEET, RELEASE ARM	
4	FB2 - 9608 - 000		1	PLATE, INLET GUIDE	
5	FB2 - 9610 - 000		1	GUIDE, PAPER DELIVERY, LOWER	
6	FB2 - 9611 - 020		1	FAN, EXHAUST	
7	FB2 - 9612 - 000		1	ROLLER, PAPER DELIVERY	
8	FB2 - 9613 - 020		1	ARM, PAPER DELIVERY SENSOR	
9	FB2 - 9614 - 000		1	ARM, DRIVE RELEASE	
10	FB2 - 9616 - 000		1	PULLEY, FAN	
11	FB2 - 9617 - 000		1	BUSHING	
12	FB2 - 9625 - 000		2	CLAW, SEPARATION	
13	FB2 - 9627 - 000		1	SHEET, WIND BLOCK	
14	FB2 - 9653 - 000		1	LABEL, "CAUTION, HIGH TEMP."	JAPANESE/ENGLISH FRENCH
	FB4 - 0365 - 000		1	LABEL, "CAUTION, HIGH TEMP."	GERMAN/SPANISH/ ITALIAN
	FC2 - 5845 - 000		1	LABEL, "CAUTION, HIGH TEMP."	KOREAN
	FB4 - 0370 - 000		1	LABEL, "CAUTION, HIGH TEMP."	CHINESE
15	FB4 - 0049 - 000		1	SPRING, LEAF	
16	FB4 - 0357 - 000		2	GUIDE, INLET, UPPER	
17	FF5 - 6421 - 000		1	LINK, DOOR SWITCH, 1	
18	FG5 - 4809 - 000		1	FIXING UPPER ASSEMBLY	100V
	FG5 - 4810 - 000		1	FIXING UPPER ASSEMBLY	115/120V
	FG5 - 4811 - 000		1	FIXING UPPER ASSEMBLY	220/240V
19	FS6 - 0337 - 000		1	GEAR, 22T	
20	FS6 - 0339 - 000		1	GEAR, 32T	

FIGURE & KEY NO.	PART NUMBER	RANK	QTY	DESCRIPTION	SERIAL NUMBER / REMARKS
810 - 21	FS6 - 0340 - 020		1	GEAR, 22T	
22	FS6 - 0962 - 000		1	GEAR, 12T	
23	FS6 - 2163 - 000		2	SPRING, TENSION	
24	FS6 - 2164 - 000		1	SPRING, COMPRESSION	
25	RB1 - 3087 - 000		2	PIN	
26	RB1 - 3090 - 000		2	BUSHING, PRESSURE ROLLER	
27	RH2 - 5336 - 000		1	CONNECTOR, DC	SEE NOTE J907
28	RS5 - 2223 - 000		2	SPRING, PRESSURE	
29	XA9 - 0233 - 000		1	SCREW,W/WASHER,M3X6	
501	XB1 - 2300 - 409		5	SCREW,MACH.,TRUSS HEAD,M3X4	
502	XD1 - 1106 - 239		1	SHIM	
503	XD2 - 1100 - 322		2	RING,E	
504	XD2 - 1100 - 502		1	RING,E	

# FIGURE 910 DC CONT. / DC POWER SUPPLY PCB ASSEMBLY



NOTE: This assembly does not include the part shown with key No.6.

FIGURE & KEY NO.	PART NUMBER	RANK	QTY	DESCRIPTION	SERIAL NUMBER / REMARKS
910 -	FG5 - 9450 - 000		1	DC CON./DC P. SUPPLY PCB ASS'Y	FC220 100V
	FG5 - 9458 - 000		1	DC CON./DC P. SUPPLY PCB ASS'Y	FC220 115V
	FG5 - 9452 - 000		1	DC CON./DC P. SUPPLY PCB ASS'Y	FC220 220/240V
	FG5 - 9451 - 000		1	DC CON./DC P. SUPPLY PCB ASS'Y	PC420,430 120V
	FG5 - 9500 - 000		1	DC CON./DC P. SUPPLY PCB ASS'Y	FC200 100V
	FG5 - 9502 - 000		1	DC CON./DC P. SUPPLY PCB ASS'Y	FC200 220/240V
	FG5 - 9501 - 000		1	DC CON./DC P. SUPPLY PCB ASS'Y	PC400 120V
1	FB1 - 7424 - 020		1	HOLDER, H.V.T.	
2	FB1 - 7425 - 000		1	PIN CONTACT	
3	FB1 - 7427 - 000		3	SPRING, COMPRESSION	
4	FB1 - 7430 - 000		1	PIN CONTACT	
5	FB1 - 7431 - 000		1	PIN CONTACT	
6	FB2 - 9647 - 000		1	SHEET, CABLE PROTECTIVE	SEE NOTE
7	FF2 - 7814 - 000		1	CABLE, TRANSFER CONTINUITY	
FU101	VD7 - 0042 - 501		1	FUSE, 250V, 2.5A	100/115/120V
	VD7 - 0641 - 601		1	FUSE, 250V, 1.6A	220/240V
FU102	VD7 - 0211 - 002		1	FUSE, 125V, 10A	100/115/120V
	VD7 - 0645 - 001		1	FUSE, 250V, 5A	220/240V
J101	FF2 - 9932 - 000		1	CABLE, FIXING AC CONTINUITY, H	
J102	FF2 - 9933 - 000		1	CABLE, FIXING AC CONTINUITY, N	
J103	FF3 - 2671 - 000		1	CABLE, AC, N	
J104	FF3 - 2673 - 000		1	CABLE, AC, H	
J108	FF3 - 2677 - 000		1	CABLE, LAMP	
J201	FF3 - 2665 - 000		1	CABLE, HIGH VOLTAGE, 1	FC220,PC420,430 MAGENTA
	FF3 - 2666 - 000		1	CABLE, HIGH VOLTAGE, 1	FC200,PC400 MAGENTA
JP1	FF3 - 2669 - 000		1	CABLE, HIGH VOLTAGE, 3	BLACK
JP2	FF3 - 2667 - 000		1	CABLE, HIGH VOLTAGE, 2	RED
L101	FH9 - 0491 - 000		1	FILTER, NOISE	100/115/120V
	FH7 - 9218 - 000		1	COIL, SC	220/240V
L102	FH7 - 9219 - 000		1	COIL, SU	220/240V

FIGURE & KEY NO.	PART NUMBER	RANK	QTY	DESCRIPTION	SERIAL NUMBER / REMARKS	
910 - L302	FH7 - 9238 - 000		1	COIL, SN	100V	
	FH9 - 0490 - 000		1	COIL, SN	115/120V	
	FH7 - 9220 - 000		1	COIL	220/240V	
	Q144	FH4 - 1303 - 000		1	IC, UPD18001CW-531, MPU	FC220,PC420,430
		FH4 - 1304 - 000		1	IC, UPD18001CW-532, MPU	FC200,PC400
R268	FH4 - 9157 - 000		1	RESISTOR, 4MOHM, 1/4W		
R271	FH4 - 9156 - 000		1	RESISTOR, 2MOHM, 1/2W		
R274	FH4 - 9196 - 000		1	RESISTOR, 1.2MOHM, 1W		
R285	FH4 - 9195 - 000		1	RESISTOR, 40MOHM, 0.69W		
R307	FH4 - 9195 - 000		1	RESISTOR, 40MOHM, 0.69W		
RL101	FH9 - 0466 - 000		1	RELAY		
SQ101	RH6 - 3434 - 000		1	FILTER, NOISE		
T101	FH3 - 0749 - 000		1	TRANSFORMER	100/115/120V	
	FH3 - 0753 - 000		1	TRANSFORMER	220/240V	
T102	FH3 - 0751 - 000		1	TRANSFORMER		
T103	FH3 - 0856 - 000		1	TRANSFORMER		
T104	FH3 - 0746 - 000		1	TRANSFORMER		
T105	FH3 - 0750 - 000		1	TRANSFORMER	100/115/120V	
	FH3 - 0755 - 000		1	TRANSFORMER	220/240V	
T106	FH3 - 0850 - 000		1	TRANSFORMER	100/115/120V	
T107	FH3 - 0851 - 000		1	TRANSFORMER	220/240V	
	FH3 - 0638 - 000		1	TRANSFORMER		



# FIGURE B LIST OF CONNECTORS

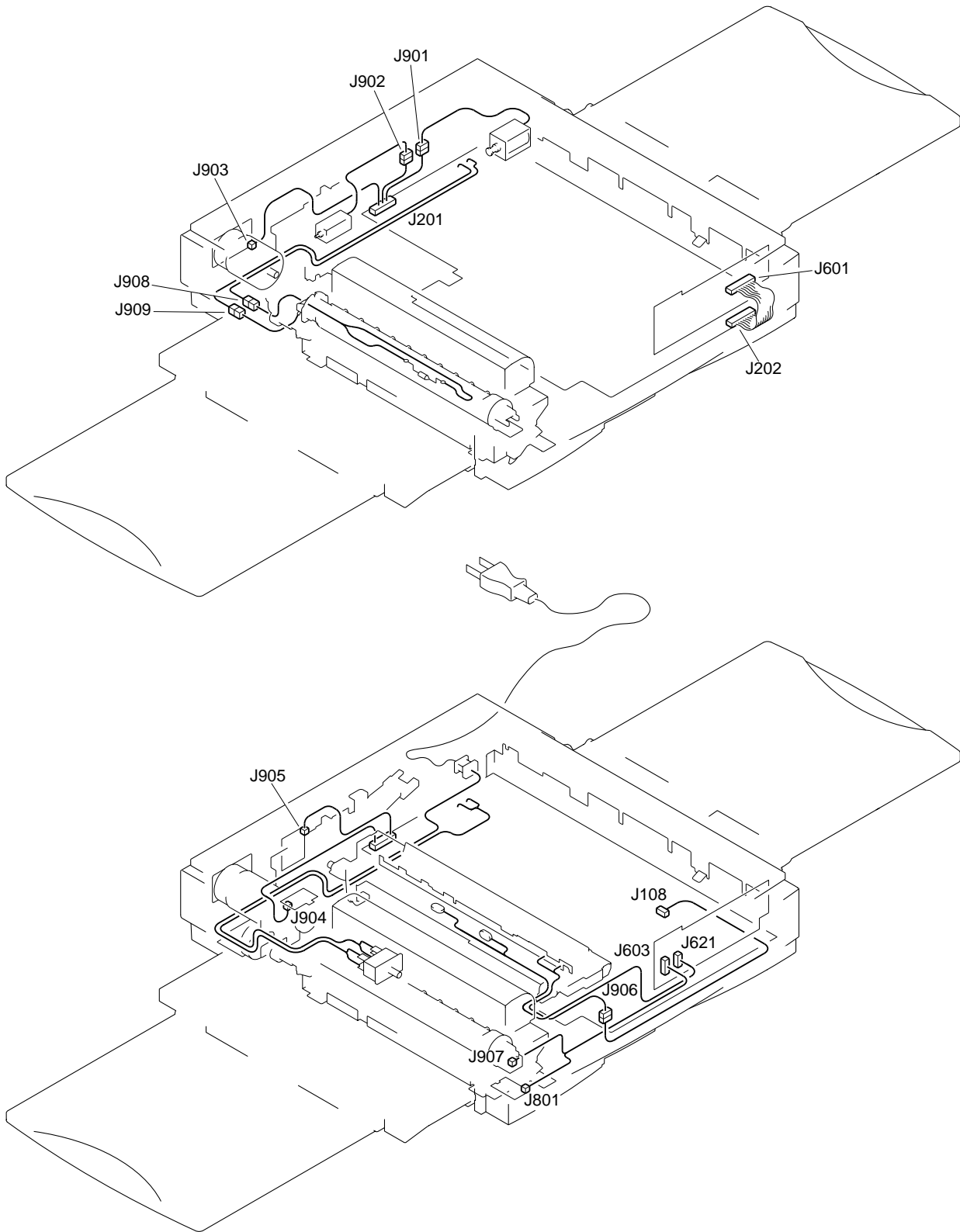


FIGURE & KEY NO.	PART NUMBER	RANK	QTY	DESCRIPTION	SERIAL NUMBER / REMARKS
B -	NPN		RF	LIST OF CONNECTORS	
J 2 0 2	PCB			DC CONTROLLER/DC POWER SUPPLY	
	FH2 - 6223 - 000		1	CABLE, FLAT	FC220,PC420,430
	FH2 - 6224 - 000		1	CABLE, FLAT	FC200,PC400
J 6 0 1	PCB			CONTROL PANEL	
	FH2 - 6223 - 000		1	CABLE, FLAT	FC220,PC420,430
	FH2 - 6224 - 000		1	CABLE, FLAT	FC200,PC400
J 6 0 3	PCB			CONTROL PANEL	
	VS1 - 0842 - 005		1	CONNECTOR, 5P, FEMALE	
J 6 2 1	PCB			CONTROL PANEL	
	VS1 - 0842 - 004		1	CONNECTOR, 4P, FEMALE	
J 8 0 1	PCB			DELIVERY SENSOR	
	VS1 - 0978 - 003		1	CONNECTOR, 3P, MALE	
J 9 0 1	PCB			DC CONTROLLER/DC POWER SUPPLY	
	NPN			SOLENOID	SL1
J 9 0 2	PCB			DC CONTROLLER/DC POWER SUPPLY	
	NPN			COPYBOARD DRIVE SOLENOID	SL2
J 9 0 3	PCB			DC CONTROLLER/DC POWER SUPPLY	
	NPN			COPYBOARD DRIVE MOTOR	
J 9 0 4	PCB			DC CONTROLLER/DC POWER SUPPLY	
J 9 0 5	PCB			MOTOR DRIVE SENSOR	
	PCB			DC CONTROLLER/DC POWER SUPPLY	
	PCB			COPYBOARD HOME POSITION SENSOR	
J 9 0 6	PCB			DC CONTROLLER/DC POWER SUPPLY	
	PCB			LAMP	
J 9 0 7	RH2 - 5336 - 000		1	CONNECTOR, DC	
	VS3 - 0198 - 003		1	CONNECTOR, 3P, MALE	
J 9 0 8	PCB			DC CONTROLLER/DC POWER SUPPLY	
	NPN			FIXING UPPER UNIT	
J 9 0 9	PCB			DC CONTROLLER/DC POWER SUPPLY	

FIGURE & KEY NO.	PART NUMBER	R A N K	Q' T Y	DESCRIPTION	SERIAL NUMBER / REMARKS
B - J 9 0 9	VS3 - 5093 - 001		1	CONNECTOR, 1P, MALE	
	WS3 - 5225 - 000		1	PIN CONTACT	
-----					
-----					
-----					
-----					
-----					

# D NUMERICAL INDEX

PART NUMBER	FIGURE & KEY NO.	PART NUMBER	FIGURE & KEY NO.	PART NUMBER	FIGURE & KEY NO.
FA9 - 2568 - 000	102 - 1 102 - 2 102A - 1 102A - 2	FB2 - 9611 - 020 FB2 - 9612 - 000 FB2 - 9613 - 020 FB2 - 9614 - 000 FB2 - 9616 - 000 FB2 - 9617 - 000 FB2 - 9622 - 020	810 - 6 810 - 7 810 - 8 810 - 9 810 - 10 810 - 11 102 - 17 102A - 15	FB4 - 0330 - 000  FB4 - 0331 - 000  FB4 - 0352 - 000  FB4 - 0353 - 000 FB4 - 0357 - 000 FB4 - 0361 - 000 FB4 - 0365 - 000 FB4 - 0367 - 000 FB4 - 0368 - 000 FB4 - 0369 - 000 FB4 - 0370 - 000 FB4 - 0371 - 000 FB4 - 0372 - 000 FB4 - 0373 - 000 FB4 - 0375 - 000 FB9 - 0001 - 000 FC2 - 5845 - 000  FC2 - 9144 - 000 FF2 - 7814 - 000 FF2 - 7829 - 000  FF2 - 9928 - 000  FF2 - 9929 - 000 FF2 - 9930 - 000 FF2 - 9932 - 000 FF2 - 9933 - 000 FF3 - 0148 - 000  FF3 - 0150 - 000  FF3 - 2663 - 000  FF3 - 2664 - 000  FF3 - 2665 - 000 FF3 - 2666 - 000 FF3 - 2667 - 000 FF3 - 2669 - 000 FF3 - 2671 - 000 FF3 - 2673 - 000 FF3 - 2677 - 000 FF5 - 1644 - 040  FF5 - 3660 - 000 FF5 - 3676 - 000 FF5 - 6407 - 000 FF5 - 6408 - 000 FF5 - 6409 - 000 FF5 - 6411 - 000  FF5 - 6412 - 000  FF5 - 6415 - 000 FF5 - 6416 - 000 FF5 - 6421 - 000 FF5 - 6425 - 000 FF5 - 6437 - 000 FF5 - 6438 - 000 FG5 - 4787 - 000 FG5 - 4799 - 000  FG5 - 4800 - 000 FG5 - 4808 - 000  FG5 - 4809 - 000 FG5 - 4810 - 000 FG5 - 4811 - 000 FG5 - 4815 - 000  FG5 - 9450 - 000 FG5 - 9451 - 000 FG5 - 9452 - 000 FG5 - 9456 - 000 FG5 - 9458 - 000 FG5 - 9477 - 000	100 - 12 100 - 13 100A - 9 100 - 12 100 - 13 100A - 9 100 - 14 100A - 10 240 - 4 810 - 16 101 - 13 370 - 2 810 - 14 100 - 15 100 - 7 101 - 13 370 - 2 810 - 14 100 - 6 160 - 5 160 - 5 100 - 15 320 - 12 370 - 2 810 - 14 101 - 13 910 - 7 102 - 22 102A - 22 102 - 23 102A - 23 101 - 14 101 - 14 910 - J 10 1 910 - J 10 2 102 - 30 A 102A - 29 A 102 - 24 102A - 24 102 - 25 102A - 25 102 - 26 102A - 26 910 - J 20 1 910 - J 20 1 910 - J P 2 910 - J P 1 910 - J 10 3 910 - J 10 4 910 - J 10 8 102 - 27 102A - 27 102 - 28 101 - 15 160 - 6 160 - 6 161 - 7 102 - 29 102A - 28 102 - 29 102A - 28 101 - 16 101 - 16 810 - 17 101 - 17 101 - 18 101 - 16 101 - 16 161 - 102 - 30 102A - 29 240 - 5 102 - 31 102A - 30 810 - 18 810 - 18 810 - 18 102 - 32 102A - 31 910 - 910 - 910 - 102 - 33 910 - 101 - 19
FA9 - 2864 - 000	101 - 1	FB2 - 9625 - 000	810 - 12	FB4 - 0353 - 000	240 - 4
FB1 - 0624 - 000	102A - 3	FB2 - 9627 - 000	810 - 13	FB4 - 0357 - 000	810 - 16
FB1 - 0723 - 000	102 - 3 102A - 4	FB2 - 9639 - 000	240 - 2	FB4 - 0361 - 000	101 - 13
FB1 - 7281 - 000	102 - 4	FB2 - 9641 - 000	102 - 18 102A - 16	FB4 - 0365 - 000	370 - 2 810 - 14 100 - 15
FB1 - 7283 - 000	102 - 2 8 A	FB2 - 9645 - 020	240 - 3	FB4 - 0367 - 000	100 - 7
FB1 - 7284 - 000	102 - 5	FB2 - 9647 - 000	910 - 6	FB4 - 0369 - 000	101 - 13
FB1 - 7285 - 000	102 - 6	FB2 - 9653 - 000	370 - 2 810 - 14	FB4 - 0370 - 000	370 - 2 810 - 14
FB1 - 7303 - 000	340 - 1	FB2 - 9663 - 000	100 - 11	FB4 - 0371 - 000	100 - 6
FB1 - 7305 - 000	340 - 2	FB2 - 9670 - 000	100 - 4	FB4 - 0372 - 000	160 - 5
FB1 - 7306 - 000	340 - 3	FB2 - 9671 - 000	100 - 4	FB4 - 0373 - 000	160 - 5
FB1 - 7307 - 000	340 - 4	FB2 - 9672 - 000	100 - 4	FB4 - 0375 - 000	100 - 15
FB1 - 7308 - 020	340 - 5	FB2 - 9673 - 000	100 - 4	FB9 - 0001 - 000	320 - 12
FB1 - 7316 - 000	320 - 1	FB2 - 9674 - 000	100 - 4	FC2 - 5845 - 000	370 - 2 810 - 14
FB1 - 7317 - 000	320 - 2	FB2 - 9677 - 000	100 - 12	FC2 - 9144 - 000	101 - 13
FB1 - 7319 - 000	320 - 3	FB2 - 9687 - 000	101 - 6	FF2 - 7814 - 000	910 - 7
FB1 - 7333 - 000	810 - 1	FB2 - 9688 - 000	101 - 7	FF2 - 7829 - 000	102 - 22 102A - 22
FB1 - 7344 - 000	320 - 4	FB2 - 9691 - 000	101 - 8	FF2 - 9928 - 000	102 - 23 102A - 23
FB1 - 7356 - 000	240 - 1	FB2 - 9692 - 000	101 - 9	FF2 - 9929 - 000	101 - 14
FB1 - 7380 - 000	101 - 1 5 A	FB2 - 9693 - 000	101 - 10	FF2 - 9930 - 000	101 - 14
FB1 - 7381 - 000	101 - 2	FB2 - 9694 - 000	101 - 11	FF2 - 9932 - 000	910 - J 10 1
FB1 - 7383 - 020	101 - 3	FB2 - 9695 - 000	101 - 12	FF2 - 9933 - 000	910 - J 10 2
FB1 - 7390 - 000	101 - 4	FB2 - 9696 - 000	101 - 16 A	FF3 - 0148 - 000	102 - 30 A 102A - 29 A
FB1 - 7391 - 000	101 - 5	FB2 - 9699 - 000	101 - 15 B	FF3 - 0150 - 000	102 - 24 102A - 24
FB1 - 7403 - 000	100 - 1 100A - 1	FB2 - 9728 - 000	161 - 5	FF3 - 2663 - 000	102 - 25 102A - 25
FB1 - 7424 - 020	910 - 1	FB2 - 9732 - 000	161 - 6	FF3 - 2664 - 000	102 - 26 102A - 26
FB1 - 7425 - 000	910 - 2	FB3 - 8743 - 000	100A - 4	FF3 - 2665 - 000	910 - J 20 1
FB1 - 7427 - 000	910 - 3	FB3 - 8744 - 000	100A - 5	FF3 - 2666 - 000	910 - J 20 1
FB1 - 7430 - 000	910 - 4	FB3 - 8938 - 000	100A - 6	FF3 - 2667 - 000	910 - J P 1
FB1 - 7431 - 000	910 - 5	FB3 - 8941 - 000	100 - 5	FF3 - 2671 - 000	910 - J 10 3
FB1 - 7438 - 000	161 - 1	FB4 - 0026 - 000	100 - 6	FF3 - 2673 - 000	910 - J 10 4
FB1 - 7439 - 000	161 - 2	FB4 - 0027 - 000	160 - 1	FF3 - 2677 - 000	910 - J 10 8
FB1 - 7451 - 000	160 - 6 A	FB4 - 0029 - 000	160 - 2	FF5 - 1644 - 040	102 - 27 102A - 27
FB1 - 7462 - 000	100 - 2 100A - 2	FB4 - 0030 - 000	160 - 3	FF5 - 3660 - 000	102 - 28
FB1 - 7463 - 000	100 - 3 100A - 3	FB4 - 0035 - 000	130 - 1	FF5 - 3676 - 000	101 - 15
FB1 - 7467 - 000	102 - 2 9 A 102A - 2 8 A	FB4 - 0036 - 000	130 - 2	FF5 - 6407 - 000	160 - 6
FB1 - 8832 - 000	102A - 5	FB4 - 0037 - 000	130 - 3	FF5 - 6408 - 000	160 - 6
FB1 - 8833 - 020	102A - 6	FB4 - 0038 - 000	130 - 4	FF5 - 6409 - 000	161 - 7
FB1 - 8835 - 000	102A - 7	FB4 - 0039 - 000	130 - 5	FF5 - 6411 - 000	102 - 29 102A - 28
FB1 - 8861 - 000	101 - 3	FB4 - 0048 - 000	102 - 19 102A - 17	FF5 - 6412 - 000	102A - 28 101 - 16 101 - 16
FB1 - 8865 - 020	161 - 3	FB4 - 0049 - 000	810 - 15	FF5 - 6415 - 000	810 - 17
FB1 - 8870 - 000	161 - 7 A	FB4 - 0051 - 000	101 - 17 A 101 - 18 A	FF5 - 6421 - 000	101 - 17
FB1 - 8874 - 000	161 - 4	FB4 - 0053 - 000	320 - 10	FF5 - 6425 - 000	101 - 18
FB1 - 9224 - 000	100 - 2 100A - 2	FB4 - 0054 - 000	320 - 11	FF5 - 6437 - 000	101 - 16
FB1 - 9225 - 000	100 - 3 100A - 3	FB4 - 0055 - 000	102 - 20 102A - 18	FF5 - 6438 - 000	101 - 16
FB1 - 9273 - 000	102 - 7 102A - 8	FB4 - 0058 - 000	100 - 7	FG5 - 4787 - 000	161 -
FB1 - 9280 - 000	102 - 8	FB4 - 0240 - 000	102A - 19	FG5 - 4799 - 000	102 - 30 102A - 29
FB2 - 5016 - 000	370 - 1	FB4 - 0241 - 000	102A - 19	FG5 - 4800 - 000	240 - 5
FB2 - 9566 - 000	102 - 9 102A - 9	FB4 - 0242 - 000	102A - 19	FG5 - 4808 - 000	102 - 31 102A - 30
FB2 - 9570 - 000	102 - 10 102A - 10	FB4 - 0243 - 000	102A - 19	FG5 - 4809 - 000	810 - 18
FB2 - 9571 - 000	102 - 11 102A - 11	FB4 - 0246 - 000	102A - 20	FG5 - 4810 - 000	810 - 18
FB2 - 9572 - 000	102 - 12 102A - 12	FB4 - 0257 - 000	130A - 1	FG5 - 4811 - 000	810 - 18
FB2 - 9573 - 000	102 - 13	FB4 - 0258 - 000	130A - 2	FG5 - 4815 - 000	102 - 32 102A - 31
FB2 - 9574 - 000	102 - 14 102A - 13	FB4 - 0259 - 000	130A - 3	FG5 - 9450 - 000	910 -
FB2 - 9575 - 000	102 - 15 102A - 14	FB4 - 0260 - 000	130A - 2	FG5 - 9451 - 000	910 -
FB2 - 9579 - 000	102 - 11 102A - 11	FB4 - 0261 - 000	130A - 3	FG5 - 9452 - 000	910 -
FB2 - 9589 - 000	102 - 16	FB4 - 0262 - 000	102A - 2 1	FG5 - 9456 - 000	102 - 33
FB2 - 9590 - 000	102 - 2 8 B	FB4 - 0263 - 000	100A - 7	FG5 - 9458 - 000	910 -
FB2 - 9594 - 000	320 - 5	FB4 - 0264 - 000	100A - 7	FG5 - 9477 - 000	101 - 19
FB2 - 9595 - 000	320 - 6	FB4 - 0287 - 000	100 - 8		
FB2 - 9596 - 000	320 - 7	FB4 - 0288 - 000	100 - 8		
FB2 - 9599 - 000	320 - 8	FB4 - 0297 - 000	102 - 2 9		
FB2 - 9600 - 000	320 - 9	FB4 - 0301 - 000	102 - 2 1		
FB2 - 9601 - 000	810 - 2	FB4 - 0307 - 000	100 - 9		
FB2 - 9603 - 000	810 - 3	FB4 - 0308 - 000	100 - 10		
FB2 - 9608 - 000	810 - 4	FB4 - 0309 - 000	370 - 3		
FB2 - 9610 - 000	810 - 5	FB4 - 0310 - 000	160 - 4		
		FB4 - 0318 - 000	130 - 4		
		FB4 - 0325 - 000	130 - 6		
		FB4 - 0327 - 000	100 - 1 1 100A - 8		
		FB4 - 0328 - 000	100 - 1 1 100A - 8		

# D NUMERICAL INDEX

PART NUMBER	FIGURE & KEY NO.	PART NUMBER	FIGURE & KEY NO.	PART NUMBER	FIGURE & KEY NO.
FG5 - 9486 - 000	100A - 11	FS5 - 2334 - 000	102 - 44	XD2 - 1100 - 502	810 - 504
FG5 - 9487 - 000	100A - 11	FS5 - 2337 - 000	101 - 20	XD3 - 2160 - 062	320 - 502
FG5 - 9488 - 000	100A - 11	FS5 - 2347 - 000	240 - 6	XD3 - 2160 - 162	320 - 503
FG5 - 9489 - 000	100A - 11	FS5 - 2349 - 000	320 - 13		
FG5 - 9490 - 000	100A - 11	FS5 - 2351 - 000	320 - 14		
FG5 - 9491 - 000	100A - 11	FS5 - 2355 - 000	100 - 17		
FG5 - 9492 - 000	130A -		100A - 12		
FG5 - 9493 - 000	130A -	FS5 - 2358 - 000	101 - 21		
FG5 - 9500 - 000	910 -	FS5 - 2359 - 000	101 - 22		
FG5 - 9501 - 000	910 -	FS5 - 2796 - 000	370 - 4		
FG5 - 9502 - 000	910 -	FS6 - 0337 - 000	810 - 19		
FG5 - 9504 - 000	102A - 32	FS6 - 0339 - 000	810 - 20		
FG5 - 9534 - 000	240 -	FS6 - 0340 - 020	810 - 21		
FG5 - 9535 - 000	320 -	FS6 - 0345 - 000	320 - 15		
FG5 - 9536 - 000	810 -	FS6 - 0347 - 000	320 - 16		
FG5 - 9537 - 000	810 -	FS6 - 0355 - 000	240 - 7		
FG5 - 9538 - 000	810 -	FS6 - 0962 - 000	810 - 22		
FG5 - 9539 - 000	810 -	FS6 - 2163 - 000	810 - 23		
FG5 - 9544 - 000	100 - 16	FS6 - 2164 - 000	810 - 24		
FG5 - 9545 - 000	100 - 16	FS6 - 2168 - 000	101 - 23		
FG5 - 9546 - 000	100 - 16	FS6 - 2169 - 000	370 - 5		
FG5 - 9547 - 000	100 - 16	FS6 - 2728 - 000	240 - 8		
FG5 - 9548 - 000	100 - 16	RB1 - 3087 - 000	810 - 25		
FG5 - 9549 - 000	100 - 16	RB1 - 3090 - 000	810 - 26		
FG5 - 9550 - 000	100 - 16	RH2 - 5015 - 000	102 - 45		
FG5 - 9553 - 000	130 -		102A - 41		
FG5 - 9554 - 000	130 -	RH2 - 5336 - 000	810 - 27		
FG5 - 9572 - 000	160 -		B - J907		
FG5 - 9573 - 000	160 -	RH6 - 3434 - 000	910 - SQ101		
FG5 - 9608 - 000	101 - 19	RS5 - 2223 - 000	810 - 28		
FG5 - 9609 - 000	340 -	VD7 - 0042 - 501	910 - FU101		
FG5 - 9612 - 000	370 -	VD7 - 0211 - 002	910 - FU102		
FG5 - 9613 - 000	370 -	VD7 - 0641 - 601	910 - FU101		
FG5 - 9614 - 000	810 -	VD7 - 0645 - 001	910 - FU102		
FH2 - 5274 - 000	102 - 34	VS1 - 0842 - 004	B - J621		
	102A - 33	VS1 - 0842 - 005	B - J603		
FH2 - 5276 - 030	102 - 35	VS1 - 0978 - 003	B - J801		
	102A - 34	VS3 - 0198 - 003	B - J907		
FH2 - 6223 - 000	102 - 36	VS3 - 5093 - 001	B - J909		
	B - J202	WC8 - 5058 - 000	102 - 46		
	B - J601		102A - 42		
FH2 - 6224 - 000	102A - 35	WG3 - 0055 - 000	101 - 24		
	B - J202		101 - 25		
	B - J601	WG8 - 0280 - 000	102 - 30B		
FH2 - 6427 - 000	102 - 37		102 - 31A		
	102A - 36		102A - 29B		
FH2 - 6488 - 000	102 - 38		102A - 30A		
	102A - 37	WS3 - 5225 - 000	B - J909		
FH3 - 0638 - 000	910 - T107	WT3 - 5021 - 000	102 - 47		
FH3 - 0746 - 000	910 - T104		102A - 43		
FH3 - 0749 - 000	910 - T101	XA9 - 0233 - 000	810 - 29		
FH3 - 0750 - 000	910 - T105	XA9 - 0762 - 000	160 - 8		
FH3 - 0751 - 000	910 - T102	XA9 - 0767 - 000	102 - 48		
FH3 - 0753 - 000	910 - T101		102A - 44		
FH3 - 0755 - 000	910 - T105	XA9 - 0938 - 000	102 - 49		
FH3 - 0850 - 000	910 - T106		102A - 45		
FH3 - 0851 - 000	910 - T106	XB1 - 2300 - 409	240 - 501		
FH3 - 0856 - 000	910 - T103		810 - 501		
FH4 - 1303 - 000	910 - Q144	XB2 - 7300 - 607	102 - 501		
FH4 - 1304 - 000	910 - Q144		102 - 502		
FH4 - 9156 - 000	910 - R271		102A - 501		
FH4 - 9157 - 000	910 - R268	XB4 - 7260 - 609	102A - 502		
FH4 - 9195 - 000	910 - R285	XB4 - 7300 - 509	102 - 503		
	910 - R307		101 - 501		
FH4 - 9196 - 000	910 - R274		102 - 504		
FH6 - 3815 - 000	102 - 33A		102A - 503		
FH7 - 9218 - 000	910 - L101	XB4 - 7300 - 609	161 - 501		
FH7 - 9219 - 000	910 - L102		161 - 502		
FH7 - 9220 - 000	910 - L302	XB4 - 7300 - 809	102 - 505		
FH7 - 9238 - 000	910 - L302		102A - 504		
FH9 - 0466 - 000	910 - RL101	XB4 - 7400 - 805	102 - 506		
FH9 - 0490 - 000	910 - L302		102A - 505		
FH9 - 0491 - 000	910 - L101	XB4 - 7401 - 009	100A - 501		
FH9 - 0492 - 000	102 - 39		102 - 507		
FH9 - 0535 - 000	102A - 32A		102 - 508		
FH9 - 0536 - 000	102A - 32B		102A - 506		
FN1 - 4327 - 000	160 - 7		102A - 507		
FN1 - 4329 - 000	161 - 8	XB4 - 7401 - 209	100 - 501		
FS1 - 9102 - 000	102A - 38	XB5 - 2300 - 509	161 - 503		
FS5 - 0436 - 000	102 - 40	XB6 - 7300 - 409	102 - 509		
FS5 - 0437 - 000	102 - 41		102A - 508		
FS5 - 0464 - 000	102A - 39		240 - 502		
FS5 - 0465 - 000	102A - 40	XD1 - 1104 - 132	320 - 501		
FS5 - 2332 - 000	102 - 42	XD1 - 1106 - 239	810 - 502		
FS5 - 2333 - 000	102 - 43	XD2 - 1100 - 322	810 - 503		

Prepared by  
OFFICE IMAGING PRODUCTS TECHNICAL SUPPORT DEPT.1  
OFFICE IMAGING PRODUCTS TECHNICAL SUPPORT DIV.  
CANON INC.  
Printed in Japan

REVISION 0 [JAN. 1998]

5-1, Hakusan 7-chome, Toride-shi, Ibaraki 302, Japan

**Canon**

## Free Manuals Download Website

<http://myh66.com>

<http://usermanuals.us>

<http://www.somanuals.com>

<http://www.4manuals.cc>

<http://www.manual-lib.com>

<http://www.404manual.com>

<http://www.luxmanual.com>

<http://aubethermostatmanual.com>

Golf course search by state

<http://golfingnear.com>

Email search by domain

<http://emailbydomain.com>

Auto manuals search

<http://auto.somanuals.com>

TV manuals search

<http://tv.somanuals.com>