

PARTS CATALOG

**MF5630/5650/5730/5750
Series**

Canon

Dec 3 2004

PREFACE

This Parts Catalog contains listings of parts used

Diagrams are provided with the listings to aid the service technician in identifying clearly, the item to be ordered.

Whenever ordering parts, consult this Parts Catalog for all of the information pertaining to each item. Be sure to include, in the Parts Request, the full item description, the item part number, and the quantity.

COPYRIGHT (C) 1999 CANON INC.

Use of this manual should be strictly supervised to avoid disclosure of confidential information.

Contents

Parts List Index

MF5630/5650/5730/5750 Series 1-1

MF5630/5650/5730/5750 Series

A	ASSEMBLY LOCATION DIAGRAM	2-1
001	PACKAGE COMPONENTS	2-2
100	EXTERNAL COVERS, PANELS, ETC	2-3
101	INTERNAL COMPONENTS 1	2-5
102	INTERNAL COMPONENTS 2	2-7
103	INTERNAL COMPONENTS 3	2-9
104	INTERNAL COMPONENTS 4	2-11
105	INTERNAL COMPONENTS 5	2-13
110	POWER SUPPLY ASS'Y	2-15
210	SCANNER ASS'Y	2-17
211	DOCUMENT FEED ASS'Y	2-20
300	CASSETTE	2-22
950	BOARD ASS'Y	2-24

NUMERICAL INDEX

MF5630/5650/5730/5750 Series

PARTS NUMBER	FIGURE & KEY NO.	PARTS NUMBER	FIGURE & KEY NO.	PARTS NUMBER	FIGURE & KEY NO.
FA7-5588-000	001 - 2	FC6-4650-000	210 - 15	FM2-1069-000	104 - 2
FA7-5594-000	001 - 2	FC6-4652-000	210 - 15	FM2-1081-000	102 - 2
FA7-5600-000	001 - 2	FC9-4649-000	210 - 14	FM2-1850-000	105 - 11
FA7-6157-000	001 - 2	FC9-4651-000	210 - 14	FM2-1853-000	102 - 2
FA7-6525-000	001 - 3	FG3-3648-000	101 - 3	FM2-3449-000	100 - 9
FA7-6526-000	001 - 2	FG3-3650-000	950 - 2	FM2-3947-000	101 - 5
FC5-4775-000	102 - 1	FG3-3651-000	950 - 2	FM5-5262-000	110 - 2
FC5-4778-000	102 - 8	FG3-3656-000	950 - 1	FM5-5263-000	103 - 3
FC5-4799-000	103 - 2	FG3-3657-000	950 - 1	FM5-5264-000	105 - 10
FC5-4800-020	103 - 1	FG3-3658-000	950 - 3	FM5-5292-000	110 - 4
FC5-4805-000	103 - 6	FG3-3660-000	101 - 6	FM5-5293-000	110 - 4
FC5-4807-000	103 - 7	FG3-3662-000	101 - 6	FM5-5294-000	110 - 4
FC5-4808-000	101 - 1	FG3-3666-000	110 - 2	FM5-5296-000	110 - 4
FC5-4814-000	101 - 2	FG3-3836-000	110 - 4	FM5-5304-000	103 - 3
FC5-4827-000	105 - 1	FG3-3837-000	110 - 6	FM5-5305-000	105 - 10
FC5-4828-000	105 - 2	FG3-3992-000	101 - 5	FM5-5306-000	101 - 3
FC5-4829-000	105 - 3	FG3-3999-000	950 - 1	FU5-0698-000	105 - 16
FC5-4830-000	105 - 4	FG3-4000-000	950 - 1	FU5-0699-000	102 - 9
FC5-4832-000	105 - 6	FG3-4002-000	110 - 5	FU5-0700-000	104 - 6
FC5-4833-000	102 - 3	FG3-4003-000	101 - 9	FU5-0701-000	104 - 7
FC5-4834-000	105 - 7	FG3-4004-000	101 - 6	FU5-0702-000	104 - 8
FC5-4850-000	102 - 10	FH2-7155-000	950 - 5	FU5-0703-000	104 - 9
FC5-4860-000	105 - 17	FH2-7156-000	950 - 6	FU5-0704-000	104 - 10
FC5-4861-000	105 - 8	FH2-7157-000	101 - 8	FU5-0705-000	104 - 13
FC5-4862-000	105 - 9	FH2-7199-000	950 - 5	FU5-0707-000	104 - 3
FC5-4871-000	105 - 5	FH3-2681-000	110 - 1	FU5-0709-000	104 - 4
FC5-4878-000	104 - 16	FH3-2683-000	110 - 1	FU5-0710-000	104 - 14
FC5-4908-000	300 - 1	FH3-2697-000	110 - 1	FU5-0713-000	105 - 15
FC5-4913-020	300 - 6	FH4-4003-000	950 - IC2	FU5-0714-000	104 - 11
FC5-4921-000	103 - 13	FH5-1081-000	104 - 5	FU5-0716-000	103 - 8
FC5-8062-000	100 - 8	FH5-1130-000	104 - 5	FU5-2425-000	105 - 14
FC5-8074-000	210 - 14	FH5-3601-000	001 - 1	FU5-2429-000	104 - 15
FC5-8075-000	210 - 15	FH5-3602-000	001 - 1	FU5-2434-000	300 - 9
FC5-8076-000	210 - 14	FH5-3718-000	001 - 1	FY1-1201-000	210 - 1
FC5-8077-000	210 - 15	FH6-5093-000	104 - 1	FY1-1202-000	210 - 2
FC5-8084-000	210 - 14	FH6-5132-000	104 - 1	FY1-1203-000	211 - 8
FC5-8085-000	210 - 15	FL2-1042-000	103 - 4	FY1-1204-000	210 - 17
FC5-8086-000	210 - 14	FL2-1043-000	102 - 5	FY1-1205-000	210 - 18
FC5-8087-000	210 - 15	FL2-1044-000	105 - 13	FY1-1206-000	210 - 4
FC5-8088-000	210 - 14	FL2-1046-000	103 - 5	FY1-1222-000	210 - 1
FC5-8089-000	210 - 15	FL2-1047-000	300 - 7	FY1-1223-000	210 - 2
FC5-8092-000	210 - 14	FL2-1050-000	102 - 6	FY1-1224-000	211 - 8
FC5-8093-000	210 - 15	FL2-1750-000	100 - 1	FY1-1225-000	210 - 17
FC6-4639-000	300 - 3	FM2-1066-000	105 - 11	FY1-1226-000	210 - 4

NUMERICAL INDEX

MF5630/5650/5730/5750 Series

PARTS NUMBER	FIGURE & KEY NO.	PARTS NUMBER	FIGURE & KEY NO.	PARTS NUMBER	FIGURE & KEY NO
FY3-0284-000	210 - 9	HC1-1581-000	100 - 1	NPN	950 -
FY3-0288-000	210 - 19	HC1-1582-000	100 - 5	RC1-1776-000	103 - 6
FY3-0289-000	210 - 20	HC1-1583-000	100 - 6	WG8-5362-000	211 - 17
FY3-0294-000	210 - 9	HC1-1595-000	300 - 2	WG8-5382-000	100 - 11
FY3-0295-000	210 - 19	HC1-1613-000	100 - 12	WK1-5134-000	950 - 7
FY3-0296-000	210 - 20	HC1-1622-000	210 - 16	XA9-0476-000	211 - 20
FY5-0186-000	210 - 12	HC1-1624-000	100 - 13	XA9-1386-000	100 - 10
FY5-0188-000	210 - 12	HC1-2045-020	300 - 5	XA9-1386-000	101 - 4
FY6-0362-000	210 - 3	HG1-4513-000	101 - 5	XA9-1386-000	102 - 4
FY6-0363-000	210 - 5	HG5-3107-000	101 - 5	XA9-1386-000	103 - 12
FY6-0364-000	210 - 5	HH2-2074-000	101 - 7	XA9-1386-000	104 - 12
FY6-0369-000	210 - 13	HH2-2219-000	101 - 7	XA9-1386-000	105 - 18
FY6-0370-000	211 - 13	HH2-2478-000	101 - 7	XA9-1386-000	110 - 3
FY6-0371-000	210 - 11	HH2-2824-000	101 - 7	XA9-1502-000	102 - 7
FY6-0372-000	210 -	HH2-3257-000	101 - 7	XA9-1502-000	105 - 12
FY6-0373-000	210 -	HH2-3274-000	950 - 4	XB1-2300-607	101 - 502
FY6-0374-000	210 - 10	HH4-3198-000	950 - IC701	XB1-2300-607	950 - 501
FY6-0391-000	210 -	HK1-0177-000	950 - IC1	XB2-7300-607	103 - 502
FY6-0392-000	210 -	HL1-0066-000	211 - 22	XB2-7300-607	104 - 502
FY6-0393-000	210 - 3	HM1-0254-000	211 - 12	XB4-7300-807	300 - 501
FY6-0394-000	210 - 5	HM1-0256-000	211 - 14	XB4-7300-809	210 - 501
FY6-0395-000	210 - 5	HM1-0258-000	211 - 7	XB4-7300-809	211 - 501
FY6-0396-000	210 - 10	HM1-0259-000	211 - 15	XB4-7400-807	100 - 501
FY6-0397-000	210 - 13	HM1-0655-000	103 - 9	XB4-7400-807	101 - 501
FY6-0398-000	211 - 13	HM1-0656-060	300 - 4	XB4-7400-807	102 - 501
FY6-0399-000	210 - 11	HM1-0658-000	100 - 9	XB4-7400-807	103 - 501
HB1-4072-000	211 - 21	HM1-0660-000	103 - 11	XB4-7400-807	104 - 501
HC1-0563-000	211 - 9	HM1-0661-000	100 - 3	XB4-7400-807	105 - 501
HC1-0565-000	211 - 4	HU1-2042-000	211 - 16	XB6-7300-405	950 - 502
HC1-0579-000	211 - 19	HU1-2046-000	211 - 18		
HC1-0582-000	211 - 1	HU1-2048-000	211 - 10		
HC1-0583-000	211 - 5	HU1-6002-000	210 - 7		
HC1-0584-020	211 - 2	HU1-6003-000	211 - 11		
HC1-0585-000	211 - 3	HU1-6004-000	210 - 8		
HC1-0590-000	211 - 6	NPN	001 -		
HC1-0604-000	210 - 6	NPN	100 -		
HC1-0625-000	210 - 18	NPN	101 -		
HC1-1566-000	100 - 8	NPN	102 -		
HC1-1567-000	100 - 7	NPN	103 -		
HC1-1569-000	103 - 10	NPN	104 -		
HC1-1574-000	300 - 3	NPN	105 -		
HC1-1575-000	300 - 8	NPN	110 -		
HC1-1578-000	100 - 4	NPN	211 -		
HC1-1579-000	100 - 2	NPN	300 -		

MF5630/5650/5730/5750 Series

ASIA	F14-5641-000AZQ00001-
CN	F14-5641-000CZQ00001-
AU	F14-5641-000RZQ00001-
ASIA	F14-5642-000AZP00001-
CN	F14-5642-000CZP00001-
AU	F14-5642-000RZP00001-
CN	F14-5643-000CZP00001-
GB	F14-5691-000BZQ00001-
EUR	F14-5691-000EZQ00001-
D/E/F	F14-5691-000WZQ00001-
GB	F14-5692-000BZP00001-
EUR	F14-5692-000EZP00001-
FR	F14-5692-000FZP00001-
DE	F14-5692-000GZP00001-
JP	F14-6511-000KKU00001-
JP	F14-6512-000KKV00001-

Contents

A	ASSEMBLY LOCATION DIAGRAM	2-1
001	PACKAGE COMPONENTS	2-2
100	EXTERNAL COVERS, PANELS, ETC	2-4
101	INTERNAL COMPONENTS 1	2-7
102	INTERNAL COMPONENTS 2	2-10
103	INTERNAL COMPONENTS 3	2-13
104	INTERNAL COMPONENTS 4	2-16
105	INTERNAL COMPONENTS 5	2-19
110	POWER SUPPLY ASS'Y	2-22
210	SCANNER ASS'Y	2-25
211	DOCUMENT FEED ASS'Y	2-29
300	CASSETTE	2-32
950	BOARD ASS'Y	2-35

FIGURE A ASSEMBLY LOCATION DIAGRAM

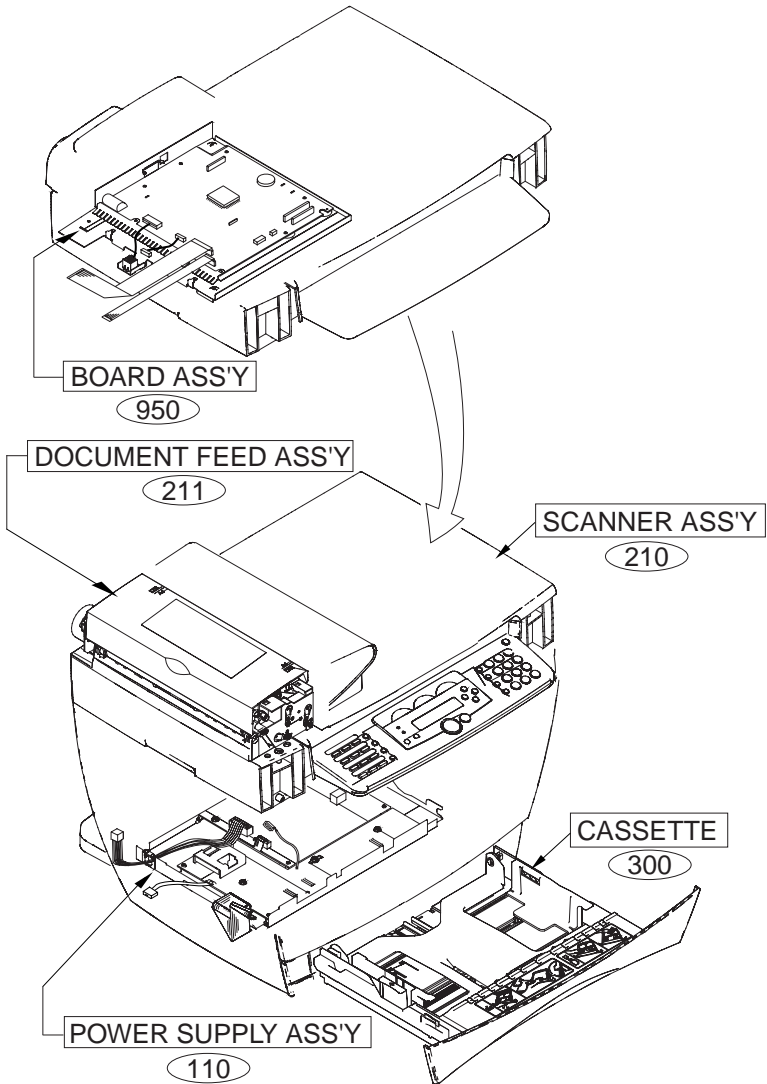


FIGURE 001

PACKAGE COMPONENTS

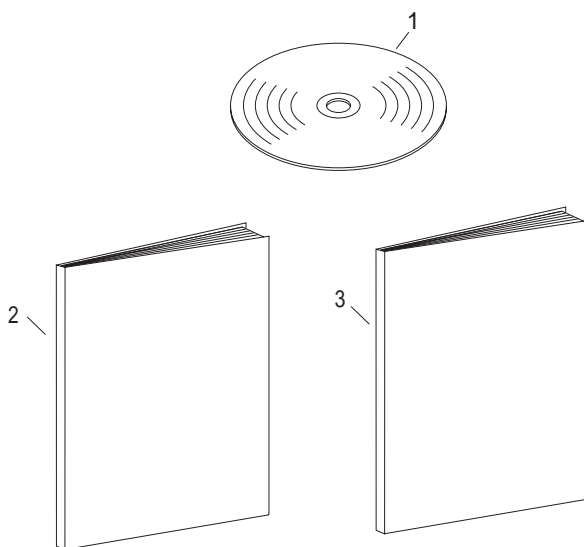


FIGURE & KEY NO.	PARTS NUMBER	RANK	Q'TY	DESCRIPTION	SERIAL NUMBER/REMARKS	SVC
Fig.001	NPN		RF	PACKAGE COMPONENTS		
1	FH5-3601-000		1	CD-ROM, USER SOFTWARE	MF5630,MF5650DE&FR&GB	
1	FH5-3602-000		1	CD-ROM, USER SOFTWARE	MF5630,MF5650CN&ASIA	
1	FH5-3718-000		1	CD-ROM, USER SOFTWARE	MF5730,MF5750	
2	FA7-5600-000		1	FACSIMILE GUIDE	MF5650 DE	
2	FA7-5594-000		1	FACSIMILE GUIDE	MF5650 FR	
2	FA7-5588-000		1	FACSIMILE GUIDE	MF5650 GB	
2	FA7-6157-000		1	FACSIMILE GUIDE	MF5650 KR	
2	FA7-6526-000		1	FACSIMILE GUIDE	MF5750	
3	FA7-6525-000		1	USER'S GUIDE	MF5730,MF5750	

FIGURE 100 EXTERNAL COVERS, PANELS, ETC

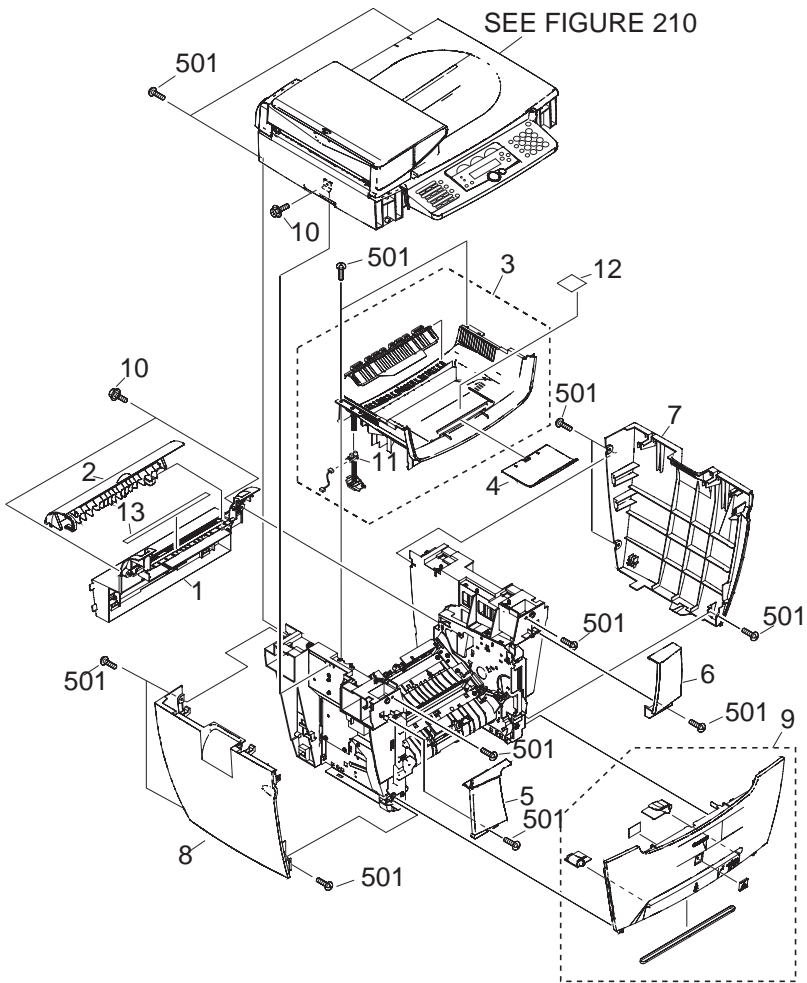


FIGURE & KEY NO.	PARTS NUMBER	R A N K	Q'TY	DESCRIPTION	SERIAL NUMBER/ REMARKS	S V C
Fig.100	NPN		RF	EXTERNAL COVERS, PANELS, ETC		
1	HC1-1581-000		1	COVER, REAR	MF5630,MF5650 EUR MF5730,MF5750	
1	FL2-1750-000		1	COVER, REAR	ASIA&AU&CN&KR	
2	HC1-1579-000		1	COVER, FACE-UP		
3	HM1-0661-000		1	TOP COVER UNIT		
4	HC1-1578-000		1	TRAY, AUXILIARY		
5	HC1-1582-000		1	COVER, READER FRONT LEFT		
6	HC1-1583-000		1	COVER, READER FRONT RIGHT		
7	HC1-1567-000		1	COVER, RIGHT		
8	HC1-1566-000		1	COVER, LEFT	MF5630,MF5650	
8	FC5-8062-000		1	COVER, LEFT	MF5650	
9	HM1-0658-000		1	FRONT COVER UNIT	MF5630,MF5650	
9	FM2-3449-000		1	FRONT COVER UNIT	MF5730,MF5750	
10	XA9-1386-000		3	SCREW,RS,M3X8		
11	WG8-5382-000		1	PHOTO-INTERRUPTER, TLP1241		
12	HC1-1613-000		1	SHEET,HIGH TEMP,CAUTION		
13	HC1-1624-000		1	LABEL,HIGH TEMP,CAUTION		
501	XB4-7400-807		14	SCREW,TAPPING,TRUSS HEAD,M4X8		

FIGURE 101 INTERNAL COMPONENTS 1

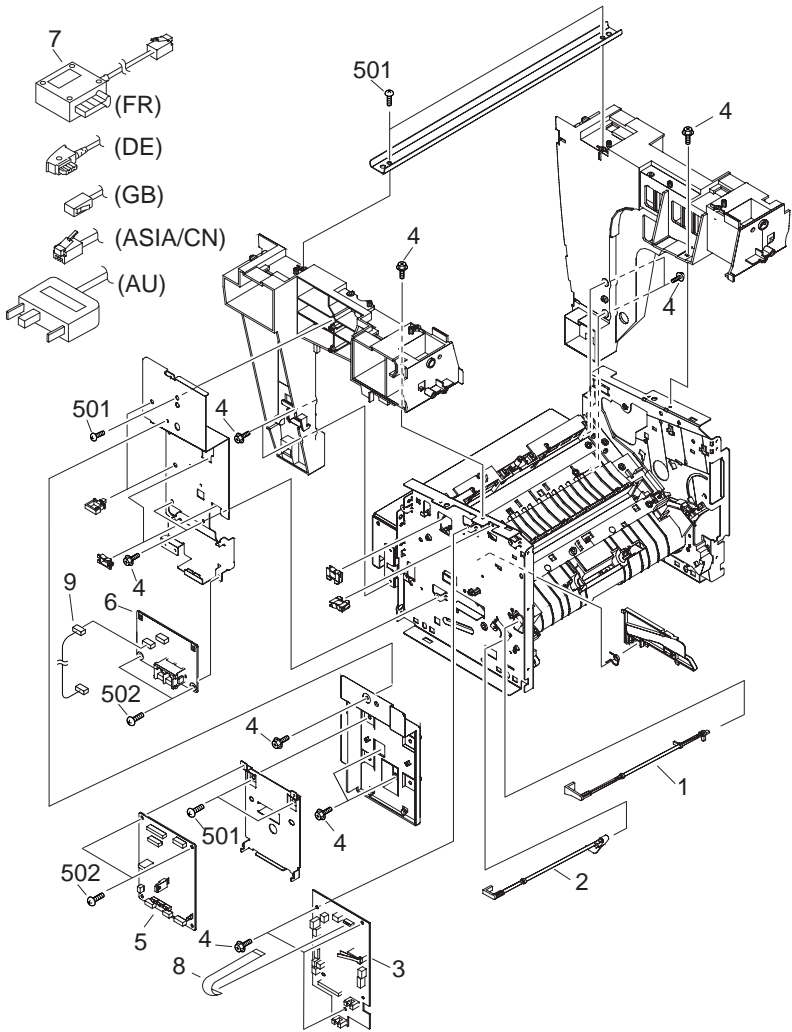


FIGURE & KEY NO.	PARTS NUMBER	RANK	Q'TY	DESCRIPTION	SERIAL NUMBER/REMARKS	SVC
Fig.101	NPN		RF	INTERNAL COMPONENT		
1	FC5-4808-000		1	FLAG, MANUAL FEED SENSOR		
2	FC5-4814-000		1	FLAG, CASSETTE SENSOR		
3	FG3-3648-000		1	DCNT BOARD ASS'Y	MF5630,MF5650	
3	FM5-5306-000		1	DCNT BOARD ASS'Y	MF5730,MF5750	
4	XA9-1386-000		14	SCREW,RS,M3X8		
5	HG5-3107-000		1	NCU BOARD ASS'Y	MF5650 EUR	
5	HG1-4513-000		1	NCU BOARD ASS'Y	MF5650 KR	
5	FG3-3992-000		1	NCU BOARD ASS'Y	MF5650 CN	
5	FM2-3947-000		1	NCU BOARD ASS'Y	MF5750 JP	
6	FG3-3660-000		1	MODULAR PCB ASS'Y	MF5650 EUR	
6	FG3-3662-000		1	MODULAR PCB ASS'Y	MF5650 KR	
6	FG3-4004-000		1	MODULAR PCB ASS'Y	MF5750 JP	
7	HH2-2074-000		1	MODULAR CORD(GERM)	MF5650 DE	
7	HH2-2219-000		1	MODULAR CORD	MF5650 FR	
7	HH2-3257-000		1	MODULAR CORD, 2P	MF5650 GB	
7	HH2-2478-000		1	MODULAR CORD	MF5650 KR	
7	HH2-2824-000		1	MODULAR CORD, 2P	MF5650 KR MF5750 JP	
8	FH2-7157-000		1	CABLE, FLAT		
9	FG3-4003-000		1	CABLE, MJB-NCU	MF5750 JP	
501	XB4-7400-807		5	SCREW,TAPPING,TRUSS HEAD,M4X8		
502	XB1-2300-607		4	SCREW, BH3X6(S)		

FIGURE 102

INTERNAL COMPONENTS 2

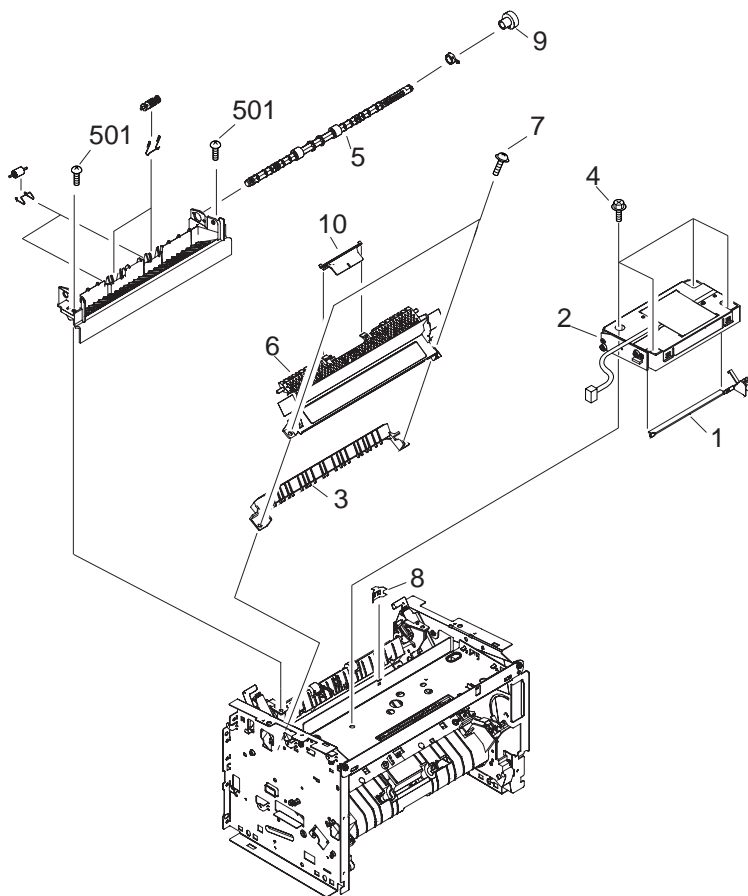


FIGURE & KEY NO.	PARTS NUMBER	R A N K	Q'TY	DESCRIPTION	SERIAL NUMBER/REMARKS	S V C
Fig.102	NPN		RF	INTERNAL COMPONENTS 2		
1	FC5-4775-000		1	ARM, LASER SHUTTER		
2	FM2-1081-000		1	LASER/SCANNER UNIT	MF5630,MF5650	
2	FM2-1853-000		1	LASER/SCANNER UNIT	MF5730,MF5750	
3	FC5-4833-000		1	GUIDE, FIXING ENTRANCE		
4	XA9-1386-000		4	SCREW,RS,M3X8		
5	FL2-1043-000		1	ROLLER, FACE-DOWN DELIVERY		
6	FL2-1050-000		1	COVER, FIXING		
7	XA9-1502-000		2	SCREW,W/WASHER,M4		
8	FC5-4778-000		1	PLATE,GROUNDING		
9	FU5-0699-000		1	GEAR, 19T		
10	FC5-4850-000		1	FLAG, ROLL PREVENTION		
501	XB4-7400-807		2	SCREW,TAPPING,TRUSS HEAD,M4X8		

FIGURE 103
INTERNAL COMPONENTS 3

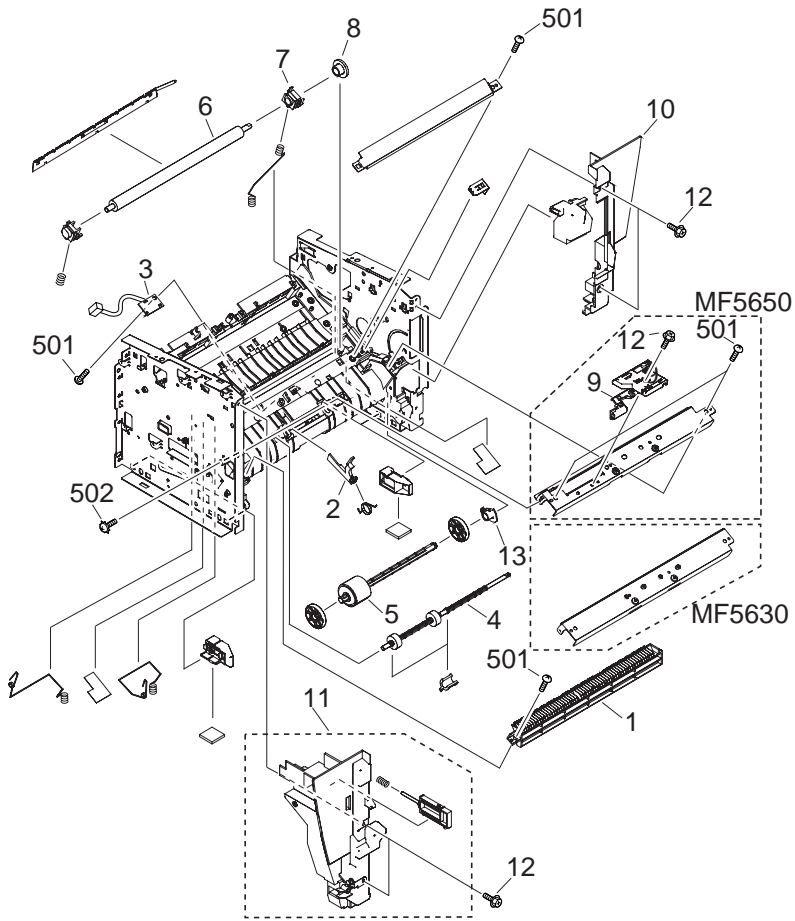


FIGURE & KEY NO.	PARTS NUMBER	R A N K	Q'TY	DESCRIPTION	SERIAL NUMBER/ REMARKS	S V C
Fig.103	NPN		RF	INTERNAL COMPONENTS 3		
1	FC5-4800-020		1	GUIDE, U-TURN		
2	FC5-4799-000		1	FLAG, REGIST. SENSOR		
3	FM5-5263-000		1	TOP SENSOR PCB UNIT	MF5630,MF5650	
3	FM5-5304-000		1	TOP SENSOR PCB UNIT	MF5730,MF5750	
4	FL2-1042-000		1	ROLLER, FEEDER		
5	FL2-1046-000		1	ROLLER, CASSETTE PICK-UP		
6	RC1-1776-000		1	ROLLER, TRANSFER	MF5630,MF5650	
6	FC5-4805-000		1	ROLLER, TRANSFER	MF5730,MF5750	
7	FC5-4807-000		1	BUSHING,TRANSFER ROLLER,RIGHT		
8	FU5-0716-000		1	GEAR, 17T		
9	HM1-0655-000		1	TONER SENSOR UNIT	MF5650,MF5750	
10	HC1-1569-000		1	COVER, RIGHT, FRONT		
11	HM1-0660-000		1	LEFT FRONT COVER UNIT		
12	XA9-1386-000		5	SCREW,RS,M3X8		
13	FC5-4921-000		1	BUSHING		
501	XB4-7400-807		5	SCREW,TAPPING,TRUSS HEAD,M4X8		
502	XB2-7300-607		1	SCREW, W/WASHER, M3X6		

FIGURE 104
INTERNAL COMPONENTS 4

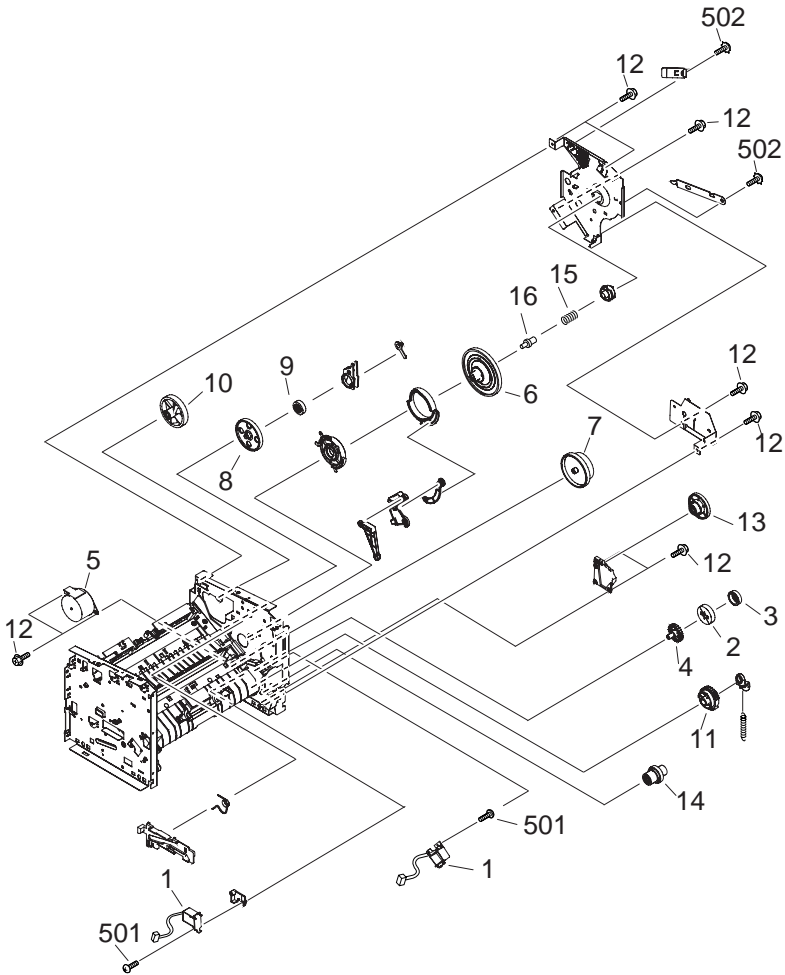
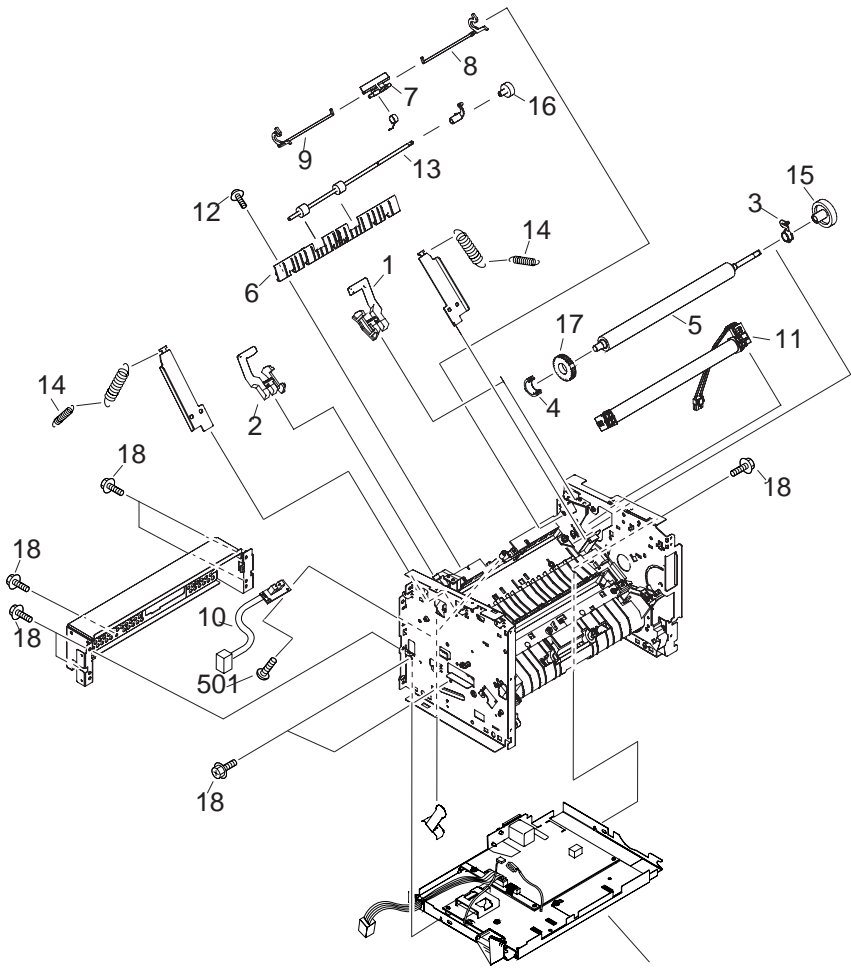


FIGURE & KEY NO.	PARTS NUMBER	R A N K	Q'TY	DESCRIPTION	SERIAL NUMBER/ REMARKS	S V C
Fig.104	NPN		RF	INTERNAL COMPONENTS 4		
1	FH6-5093-000		2	SOLENOID, PICK-UP	MF5630,MF5650	
1	FH6-5132-000		2	SOLENOID, PICK-UP	MF5730,MF5750	
2	FM2-1069-000		1	GEAR UNIT		
3	FU5-0707-000		1	GEAR,51T		
4	FU5-0709-000		1	GEAR,17T		
5	FH5-1081-000		1	MOTOR, MAIN, STEPPING	MF5630,MF5650	
5	FH5-1130-000		1	MOTOR, MAIN, STEPPING	MF5730,MF5750	
6	FU5-0700-000		1	GEAR,163T		
7	FU5-0701-000		1	GEAR,91T/115T		
8	FU5-0702-000		1	GEAR, 18T/107T		
9	FU5-0703-000		1	GEAR, 17T		
10	FU5-0704-000		1	GEAR, 55T		
11	FU5-0714-000		1	GEAR, 25T		
12	XA9-1386-000		9	SCREW,RS,M3X8		
13	FU5-0705-000		1	GEAR, 22T/86T		
14	FU5-0710-000		1	GEAR, 19T/35T		
15	FU5-2429-000		1	SPRING,DRUM CONTACT PIN		
16	FC5-4878-000		1	PIN,DRUM CONTACT		
501	XB4-7400-807		2	SCREW,TAPPING,TRUSS HEAD,M4X8		
502	XB2-7300-607		2	SCREW, W/WASHER, M3X6		

FIGURE 105 INTERNAL COMPONENTS 5



SEE FIGURE 110

FIGURE & KEY NO.	PARTS NUMBER	R A N K	Q'TY	DESCRIPTION	SERIAL NUMBER/ REMARKS	S V C
Fig.105	NPN		1	INTERNAL COMPONENTS 5		
1	FC5-4827-000		1	LEVER, PRESSURE RELEASE, RIGHT		
2	FC5-4828-000		1	LEVER, PRESSURE RELEASE, LEFT		
3	FC5-4829-000		1	USHING,ROLLER PRESSURE,RIGHT		
4	FC5-4830-000		1	BUSHING,ROLLER PRESSURE,LEFT		
5	FC5-4871-000		1	ROLLER,PRESSURE		
6	FC5-4832-000		1	GUIDE,DELIVERY		
7	FC5-4834-000		1	FLAG, DELIVERY SENSOR		
8	FC5-4861-000		1	LEVER,PRESS RELEASE SENS,RIGHT		
9	FC5-4862-000		1	LEVER,PRESS RELEASE SENS,LEFT		
10	FM5-5264-000		1	DELIVERY SENSOR PCB UNIT	MF5630,MF5650	
10	FM5-5305-000		1	DELIVERY SENSOR PCB UNIT	MF5730,MF5750	
11	FM2-1066-000		1	FILM UNIT	MF5630,MF5650	
11	FM2-1850-000		1	FILM UNIT	MF5730,MF5750	
12	XA9-1502-000		1	SCREW,W/WASHER,M4		
13	FL2-1044-000		1	ROLLER,FACE-UP		
14	FU5-2425-000		2	SPRING,PRESSURE GROUNDING		
15	FU5-0713-000		1	GEAR, 29T		
16	FU5-0698-000		1	GEAR,ROLL,FACE-UP		
17	FC5-4860-000		1	RUBBER RING,CONDUCTIVE		
18	XA9-1386-000		8	SCREW,RS,M3X8		
501	XB4-7400-807		1	SCREW,TAPPING,TRUSS HEAD,M4X8		

FIGURE 110
POWER SUPPLY ASS'Y

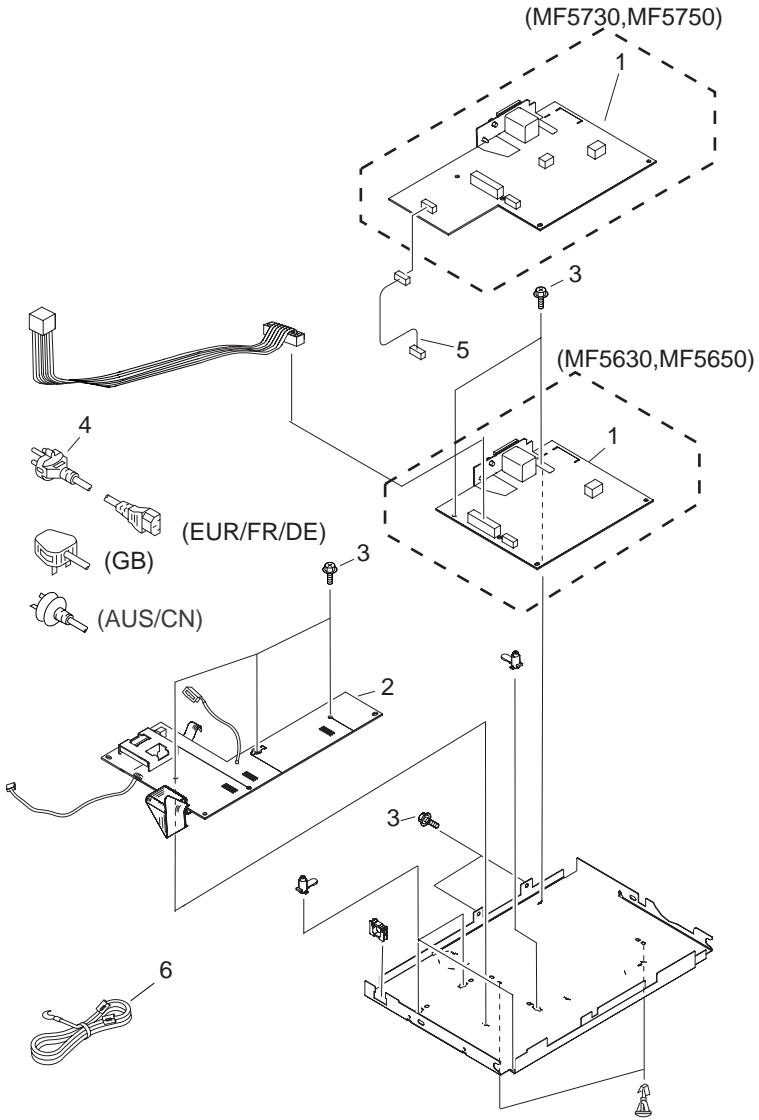
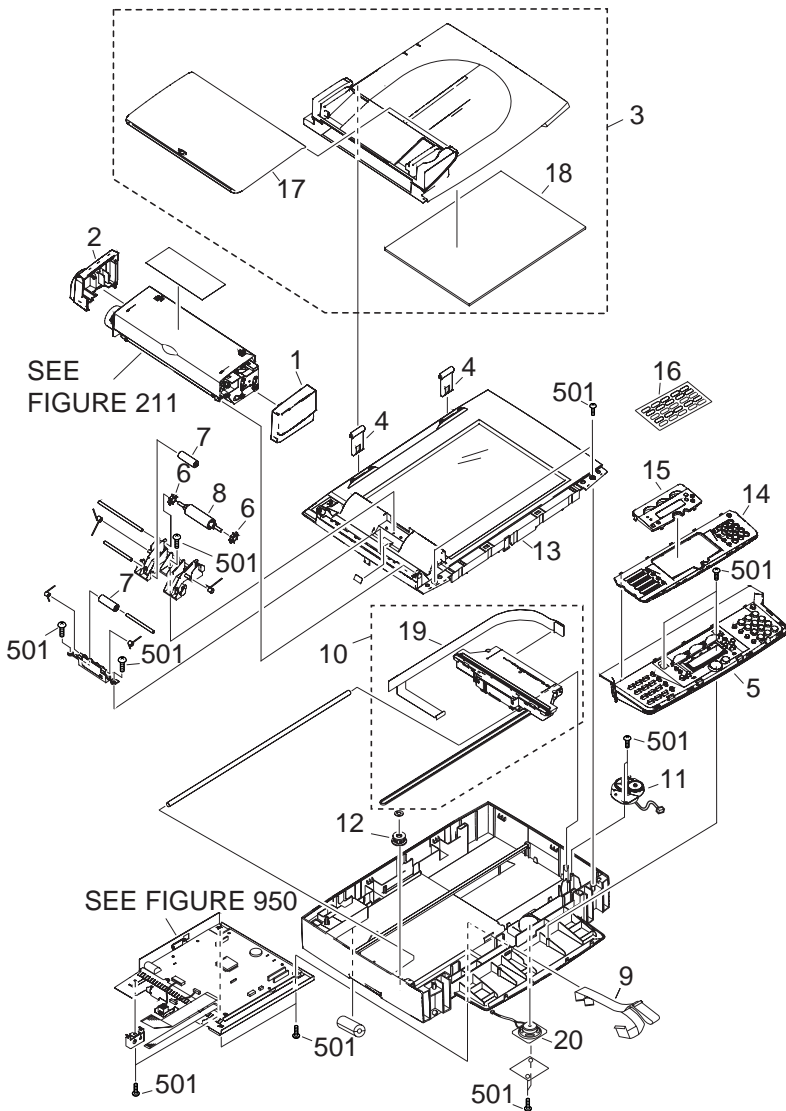


FIGURE & KEY NO.	PARTS NUMBER	R A N K	Q'TY	DESCRIPTION	SERIAL NUMBER/ REMARKS	S V C
Fig.110	NPN		RF	POWER SUPPLY ASS'Y		
1	FH3-2681-000		1	POWER SUPPLY UNIT	MF5630,MF5650 EUR	
1	FH3-2683-000		1	POWER SUPPLY UNIT	MF5630,MF5650 ASIA&AU&CN&KR	
1	FH3-2697-000		1	POWER SUPPLY UNIT	MF5730,MF5750	
2	FM5-5262-000		1	HIGH-VOLTAGE PCB UNIT	MF5630,MF5650	
2	FG3-3666-000		1	HIGH-VOLTAGE PCB UNIT	MF5730,MF5750	
3	XA9-1386-000		7	SCREW,RS,M3X8		
4	FM5-5292-000		1	CORD, POWER	MF5630,MF5650 DE&FR&EUR	
4	FM5-5293-000		1	CORD, POWER	MF5630,MF5650 GB	
4	FM5-5294-000		1	CORD, POWER	MF5630,MF5650 CN	
4	FM5-5296-000		1	CORD, POWER	MF5630,MF5650 AU	
4	FG3-3836-000		1	CORD, POWER	MF5730,MF5750	
5	FG3-4002-000		0	CABLE, PSU-NSU	MF5750	
6	FG3-3837-000		0	CORD, GROUNDING	MF5730,MF5750	

FIGURE 210 SCANNER ASS'Y



NOTE : This assembly does not include the parts shown with key No. 14, 15 and 16.

FIGURE & KEY NO.	PARTS NUMBER	R A N K	Q'TY	DESCRIPTION	SERIAL NUMBER/ REMARKS	S V C
Fig.210	FY6-0373-000		1	SCANNER ASS'Y	MF5630	
Fig.210	FY6-0372-000		1	SCANNER ASS'Y	MF5650	
Fig.210	FY6-0391-000		1	SCANNER ASS'Y	MF5730	
Fig.210	FY6-0392-000		1	SCANNER ASS'Y	MF5750	
1	FY1-1201-000		1	COVER, ADF, FRONT	MF5630,MF5650	
1	FY1-1222-000		1	COVER, ADF, FRONT	MF5730	
2	FY1-1202-000		1	COVER, ADF, REAR	MF5630,MF5650	
2	FY1-1223-000		1	COVER, ADF, REAR	MF5730	
3	FY6-0362-000		1	DOCUMENT COVER ASS'Y	MF5630,MF5650	
3	FY6-0393-000		1	DOCUMENT COVER ASS'Y	MF5730	
4	FY1-1206-000		2	HINGE	MF5630,MF5650	
4	FY1-1226-000		2	HINGE	MF5730	
5	FY6-0364-000		1	OPERATION PANEL UNIT	MF5630	
5	FY6-0363-000		1	OPERATION PANEL UNIT	MF5650	
5	FY6-0394-000		1	OPERATION PANEL UNIT	MF5750	
5	FY6-0395-000		1	OPERATION PANEL UNIT	MF5730	
6	HC1-0604-000		2	ROLLER, DOCUMENT PRESSURE		
7	HU1-6002-000		2	ROLLER, BACK-UP		
8	HU1-6004-000		1	ROLLER, DOCUMENT DELIVERY		
9	FY3-0284-000		1	FLAT CABLE UNIT	MF5630,MF5650	
9	FY3-0294-000		1	FLAT CABLE UNIT	MF5730	
10	FY6-0374-000		1	CCD UNIT	MF5630,MF5650	
10	FY6-0396-000		1	CCD UNIT	MF5730	
11	FY6-0371-000		1	FLAT BED MOTOR UNIT	MF5630,MF5650	
11	FY6-0399-000		1	FLAT BED MOTOR UNIT	MF5730	
12	FY5-0186-000		1	BELT WHEEL UNIT	MF5630,MF5650	
12	FY5-0188-000		1	BELT WHEEL UNIT	MF5730	
13	FY6-0369-000		1	SCANNER COVER ASS'Y	MF5630,MF5650	
13	FY6-0397-000		1	SCANNER COVER ASS'Y	MF5730	
14	FC5-8074-000		1	COVER, OPERATION PANEL	MF5630 EUR SEE NOTE	
14	FC5-8076-000		1	COVER, OPERATION PANEL	MF5650 EUR SEE NOTE	
14	FC5-8084-000		1	COVER, OPERATION PANEL	MF5630 CN SEE NOTE	

FIGURE & KEY NO.	PARTS NUMBER	RANK	Q'TY	DESCRIPTION	SERIAL NUMBER/REMARKS	SVC
14	FC5-8088-000		1	COVER, OPERATION PANEL	MF5630 KR SEE NOTE	
14	FC5-8092-000		1	COVER, OPERATION PANEL	MF5630 AU&ASIANSEE NOTE	
14	FC5-8086-000		1	COVER, OPERATION PANEL	MF5650 KR SEE NOTE	
14	FC9-4649-000		1	COVER, OPERATION PANEL	MF5730 SEE NOTE	
14	FC9-4651-000		1	COVER, OPERATION PANEL	MF5750 SEE NOTE	
15	FC5-8075-000		1	COVER, LCD	MF5630 EUR SEE NOTE	
15	FC5-8077-000		1	COVER, LCD	MF5650 EUR SEE NOTE	
15	FC5-8085-000		1	COVER, LCD	MF5630 CN SEE NOTE	
15	FC5-8089-000		1	COVER, LCD	MF5630 KR SEE NOTE	
15	FC5-8087-000		1	COVER, LCD	MF5650 KR SEE NOTE	
15	FC5-8093-000		1	COVER, LCD	MF5650 KR SEE NOTE	
15	FC6-4650-000		1	COVER, LCD	MF5730 SEE NOTE	
15	FC6-4652-000		1	COVER, LCD	MF5750 SEE NOTE	
16	HC1-1622-000		1	LABEL, DESTINATION		
17	FY1-1204-000		1	TRAY, DOCUMENT	MF5630,MF5650	
17	FY1-1225-000		1	TRAY, DOCUMENT	MF5730	
18	FY1-1205-000		1	SHEET, DOCUMENT PRESSURE	MF5630,MF5650	
18	HC1-0625-000		1	SHEET, DOCUMENT PRESSURE	MF5730	
19	FY3-0288-000		1	CABLE, FLAT, 22P	MF5630,MF5650	
19	FY3-0295-000		1	CABLE, FLAT, 22P	MF5730	
20	FY3-0289-000		1	SPEAKER UNIT	MF5630,MF5650	
20	FY3-0296-000		1	SPEAKER UNIT	MF5750	
501	XB4-7300-809		15	SCREW, TAP, BINDING HEAD, M3X8		

FIGURE 211
DOCUMENT FEED ASS'Y

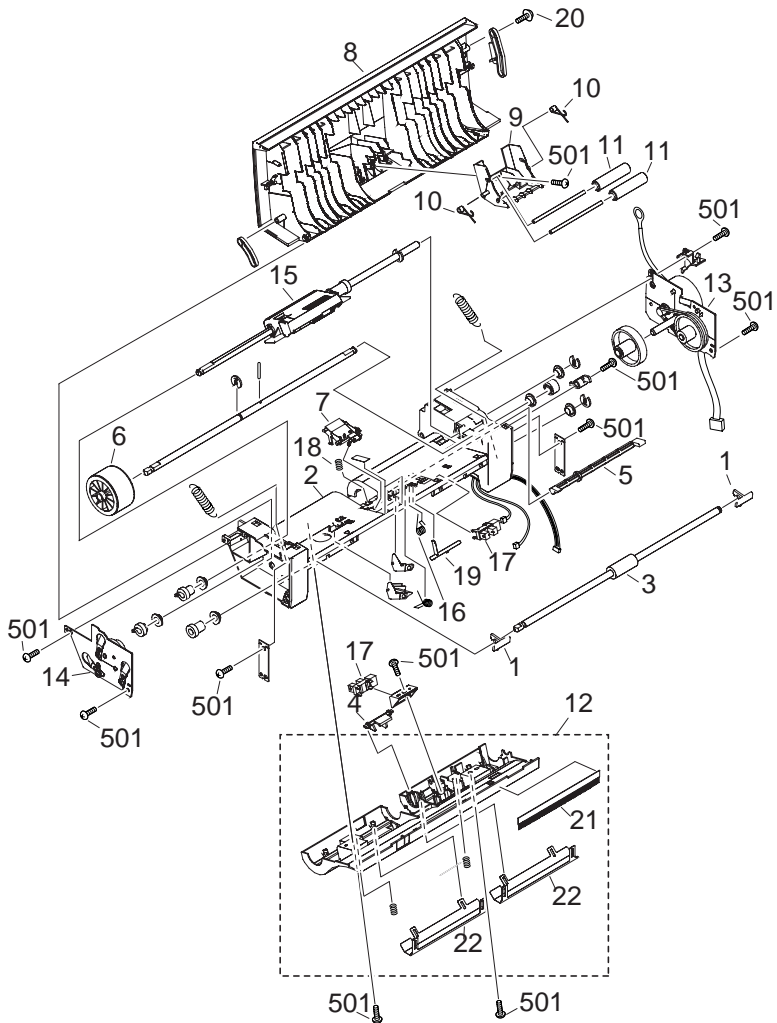


FIGURE & KEY NO.	PARTS NUMBER	R A N K	Q'TY	DESCRIPTION	SERIAL NUMBER/ REMARKS	S V C
Fig.211	NPN		RF	DOCUMENT FEED ASS'Y		
1	HC1-0582-000		2	ARM, DOCUMENT PRESSURE		
2	HC1-0584-020		1	FRAME, MIDDLE DOCUMENT FEED		
3	HC1-0585-000		1	ROLLER, DOCUMENT EJECT		
4	HC1-0565-000		1	ARM, DETECTION (DES)		
5	HC1-0583-000		1	LEVER, DOCUMENT RELEASE		
6	HC1-0590-000		1	ROLLER, DOCUMENT FEED		
7	HM1-0258-000		1	SEPARATION GUIDE UNIT		
8	FY1-1203-000		1	COVER, ADF, TOP	MF5630,MF5650	
8	FY1-1224-000		1	COVER, ADF, TOP	MF5730	
9	HC1-0563-000		1	HOLDER, ROLLER		
10	HU1-2048-000		2	SPRING		
11	HU1-6003-000		2	ROLLER, BACKUP		
12	HM1-0254-000		1	LOWER DOCUMENT FEED ASS'Y		
13	FY6-0370-000		1	ADF MOTOR UNIT	MF5630,MF5650	
13	FY6-0398-000		1	ADF MOTOR UNIT	MF5730	
14	HM1-0256-000		1	DOCUMENT FEED GEAR ASS'Y		
15	HM1-0259-000		1	SEPARATION ROLLER ASS'Y		
16	HU1-2042-000		1	SPRING, DS ARM		
17	WG8-5362-000		2	PHOTO-INTERRUPTER, TLP1241		
18	HU1-2046-000		1	SPRING, ADF		
19	HC1-0579-000		1	ARM, DETECTION (DS)		
20	XA9-0476-000		1	SCREW,TP M3X8		
21	HB1-4072-000		1	BRUSH, STATIC DISCHARGE		
22	HL1-0066-000		2	WHITE SHEET UNIT		
501	XB4-7300-809		11	SCREW, TAP, BINDING HEAD,M3X8		

FIGURE 300 CASSETTE

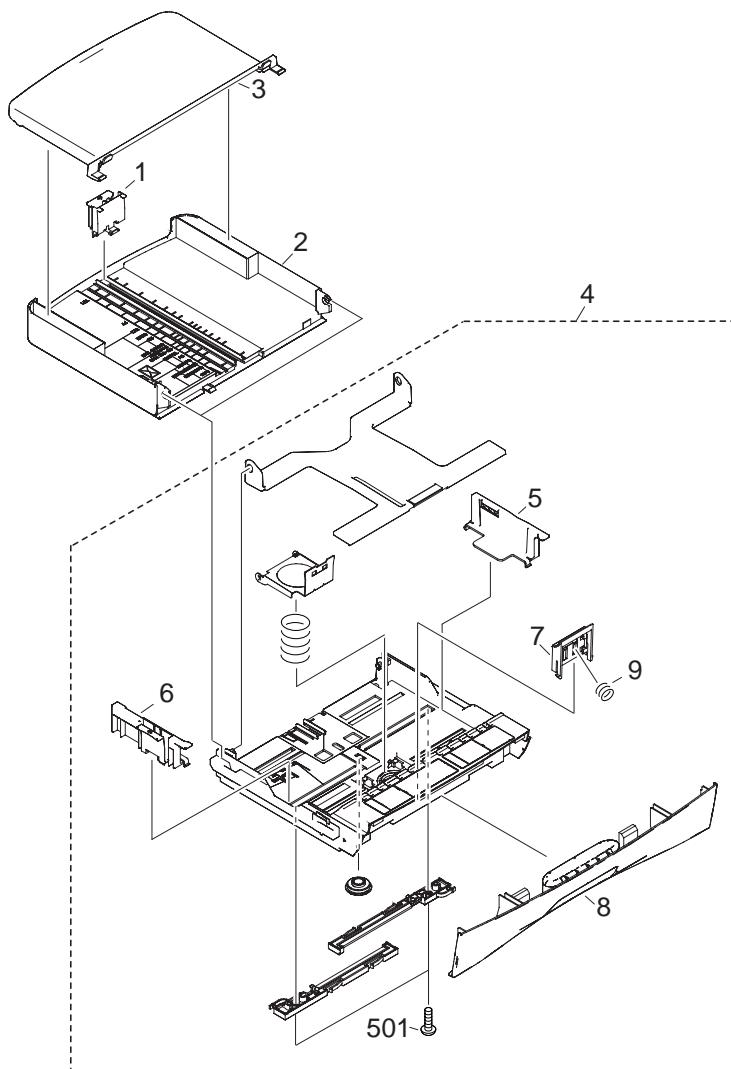


FIGURE & KEY NO.	PARTS NUMBER	R A N K	Q'TY	DESCRIPTION	SERIAL NUMBER/ REMARKS	S V C
Fig.300	NPN		RF	CASSETTE		
1	FC5-4908-000		1	PLATE, BACK END LIMIT		
2	HC1-1595-000		1	TRAY, CASSETTE EXTENSION		
3	HC1-1574-000		1	COVER, CASSETTE UPPER	MF5630,MF5650	
3	FC6-4639-000		1	COVER, CASSETTE UPPER	MF5730,MF5750	
4	HM1-0656-060		1	CASSETTE UNIT		
5	HC1-2045-020		1	PLATE, SIDE LIMIT, RIGHT		
6	FC5-4913-020		1	PLATE, SIDE LIMIT, LEFT		
7	FL2-1047-000		1	PAD, SEPARATION		
8	HC1-1575-000		1	COVER,CASSETTE,FRONT		
9	FU5-2434-000		1	SPRING,PAD		
501	XB4-7300-807		2	SCREW, TAP TIGHT, BINDING HEAD		

FIGURE 950 BOARD ASS'Y

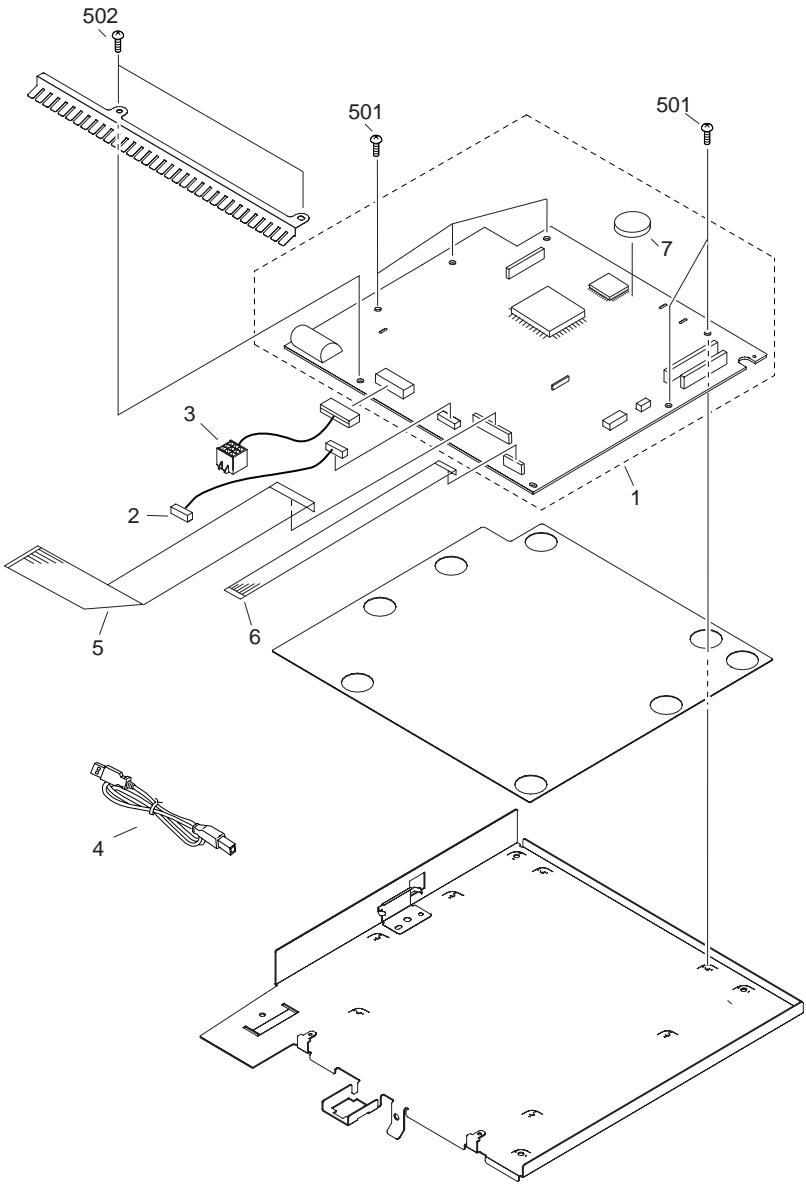


FIGURE & KEY NO.	PARTS NUMBER	R A N K	Q'TY	DESCRIPTION	SERIAL NUMBER/REMARKS	S V C
Fig.950	NPN		RF	BOARD ASS'Y		
1	FG3-3656-000		1	SCNT BOARD ASS'Y	MF5630	
1	FG3-3657-000		1	SCNT BOARD ASS'Y	MF5650	
1	FG3-3999-000		1	SCNT BOARD ASS'Y	MF5730	
1	FG3-4000-000		1	SCNT BOARD ASS'Y	MF5750	
2	FG3-3650-000		1	CABLE ASS'Y	MF5650	
2	FG3-3651-000		1	CABLE ASS'Y	MF5750	
3	FG3-3658-000		1	CABLE ASS'Y		
4	HH2-3274-000		1	CABLE, USB		
5	FH2-7155-000		1	CABLE, FLAT	MF5650	
5	FH2-7199-000		1	CABLE, FLAT	MF5750	
6	FH2-7156-000		1	CABLE, FLAT		
7	WK1-5134-000		1	BATTERY, CR2032THJ6		
501	XB1-2300-607		5	SCREW, BH3X6		
502	XB6-7300-405		2	SCREW, TP, M3X4	MF5730,MF5750	
IC1	HK1-0177-000		1	UPD800009S1-011-F6,C-MOS	MF5730,MF5750	
IC2	FH4-4003-000		1	IC,MBM29DL640E90TN-E1,FLASHROM	MF5730,MF5750	
IC701	HH4-3198-000		1	IC,BU12306-04,C-MOS	MF5730,MF5750	

Prepared by
OFFICE IMAGING PRODUCTS QUALITY ASSURANCE CENTER
CANON INC.

Canon

Free Manuals Download Website

<http://myh66.com>

<http://usermanuals.us>

<http://www.somanuals.com>

<http://www.4manuals.cc>

<http://www.manual-lib.com>

<http://www.404manual.com>

<http://www.luxmanual.com>

<http://aubethermostatmanual.com>

Golf course search by state

<http://golfingnear.com>

Email search by domain

<http://emailbydomain.com>

Auto manuals search

<http://auto.somanuals.com>

TV manuals search

<http://tv.somanuals.com>