

Canon

COLOR BUBBLE JET PRINTER

BJC-55 Series

User's Manual



QA7-1240-V01

BE

Copyright © 2000 CANON INC. ALL RIGHTS RESERVED.

- Copying of all or part of this guide without prior permission is strictly forbidden.
- Canon Inc. reserves the right to revise the contents of this guide without advance notification.
- Every effort has been made to ensure that the information contained in this guide is correct. If any error or omission is found, contact the manufacturer. Refer to the Contact List provided with the printer for the contact point of your nearest Canon office.
- Canon is not responsible for any damages, direct or indirect, arising from or related to the use of this guide.

Trademarks

- Microsoft®, MS-DOS®, Windows®, Windows NT®, and Windows CE® are registered trademarks of Microsoft Corporation in the U.S. and other countries.
- Apple, AppleTalk, EtherTalk, Macintosh, QuickDraw, QuickDraw GX, and ColorSync are registered trademarks of Apple Computer, Inc.
- Canon®, BJ® and BJC® are registered trademarks of Canon Inc.

All other trademarks are registered trademarks appearing in this manual are the properties of their respective owners.

FCC Regulations

Color Bubble Jet Printer, Model K10196

This device complies with Part 15 of the FCC Rules. Operation is subject to the following two conditions: (1) This device may cause harmful interference, and (2) this device must accept any interference received, including interference that may cause undesired operation.

This equipment has been tested and found to comply with the limits for class B digital device, pursuant to Part 15 of the FCC Rules. These limits are designed to provide reasonable protection against harmful interference in a residential installation. This equipment generates, uses and can radiate radio frequency energy and, if not installed and used in accordance with the instructions, may cause harmful interference to radio communications. However, there is no guarantee that interference will not occur in a particular installation. If this equipment does cause harmful interference to radio or television reception, which can be determined by turning the equipment off and on, the user is encouraged to try to correct the interference by one or more of the following measures:

- Reorient or relocate the receiving antenna.
- Increase the separation between the equipment and receiver.
- Connect the equipment into an outlet on a circuit different from that to which the receiver is connected.
- Consult the dealer or an experienced radio/TV technician for help.

Use of shielded cable is required to comply with class B limits in Subpart B of Part 15 of FCC Rules.

Do not make any changes or modifications to the equipment unless otherwise specified in the manual. If such changes or modifications should be made, you could be required to stop operation of the equipment.

Canon U.S.A. Inc.
One Canon Plaza, Lake Success, NY 11042, U.S.A.
Tel No. (516) 328-5600

Canadian Radio Interference Regulations

This digital apparatus does not exceed the Class B limits for radio noise emissions from digital apparatus as set out in the interference-causing equipment standard entitled “Digital Apparatus”, ICES-003 of the Industry and Science Canada.

Cet appareil numérique respecte les limites de bruits radioélectriques applicables aux appareils numériques de Classe B prescrites dans la norme sur le matériel brouilleur: “Appareils Numériques”, NMB-003 édictée par l’Industrie et Sciences Canada.

International ENERGY STAR® Program

As an ENERGY STAR® Printer, Canon Inc. has determined that this product meets the ENERGY STAR® guidelines for efficiency.



The International ENERGY STAR® Office Equipment Program is a global program that promotes energy saving through the use of computer and other office equipment. The program backs the development and dissemination of products with functions that effectively reduce energy consumption. It is an open system in which businesses can participate voluntarily. The targeted products are office equipment such as computers, monitors, printers, faxes and copiers. Their standards and logos are uniform among participating nations.

Table of Contents

Chapter 1	Introduction.....	6
	How to use this manual.....	6
	Conventions	7
	About Documents	7
	About the Setup Software & Reference Guide CD-ROM	8
	General Safety Warnings and Precautions	9
	Important notes about USB connection	17
	Features and benefits	18
	Compact portable design.....	18
	High resolution colour (720 dpi).....	18
	A variety of interface connections	18
	Scanner feature.....	18
	Options and supplies.....	19
	BJ Cartridges and ink cartridges	19
	Print media	21
	Power supply.....	22
	Available options	23
Chapter 2	Setting Up the Printer	24
	Examining the printer	24
	Front view	24
	Rear view	26
	Operation panel	26
	Installing the battery pack.....	28
	Connecting the printer and installing the printer drivers	31
	Switching the printer on and off	32
	Installing and using printer drivers	33
	Setting up the IrDA wireless interface.....	33
	What you need for infrared data transmission	34
	Confirming that the infra-red transmission driver has been installed.....	34
	Using infra-red data transmission	35
	Installing the BJ Cartridge	37
	Choosing which BJ Cartridge to use.....	37
	BJ Cartridge guidelines	38
	BJ Cartridge installation.....	39
Chapter 3	Printing	44
	Paper and other print media	44
	Selecting paper types	45
	Plain paper.....	45
	Special media	46
	Envelopes	46
	Selecting the print media.....	47
	Loading paper and other media	48
	Changing the BJ Cartridges	51

Chapter 4	Performing Test Prints.....	56
	Starting the test prints	56
	Sample test prints.....	58
	Printer settings.....	58
	Nozzle Check Pattern.....	58
Chapter 5	Daily Operation and Printer Maintenance.....	60
	Recharging and replacing the battery pack.....	60
	Recharging the battery pack.....	60
	Replacing the battery pack.....	62
	Setting the low-ink warning.....	64
	How to enable the low-ink warning.....	64
	Switching off the low-ink warning	65
	Replacing ink cartridges	66
	Handling ink cartridges.....	66
	Examining the ink cartridges	67
	Replacing an ink cartridge	68
	Replacing BJ cartridges	72
	Installing the optional Color Image Scanner Cartridge IS-12	74
	Installing the software for the Scanner Cartridge	74
	Installing and removing the Scanner Cartridge.....	78
	Cleaning the printer	83
	Before you start cleaning	83
	Cleaning inside and outside the printer.....	84
	Cleaning the print head	85
	Preparing the printer for travel or storage.....	86
Chapter 6	Troubleshooting	88
	How to use this Section	88
	Quick reference list of possible problems	90
	Error messages.....	91
	Problems and Solutions	92
	Before you call for service.....	145
	Describing the problem.....	145
	Describing your system.....	148
Appendix A	Paper Specifications.....	152
	Paper size	152
	Paper type	152
	Paper weight	152
	Printing area.....	153
	Paper and special media	153
	Envelopes	154
Appendix B	Options and Supplies.....	156
	Consumables.....	156
	Paper and special media.....	157
	Available options	157
Appendix C	Universal AC Adapter AD-360U	158
Appendix D	Printer Specifications	160
	System Requirements to see documents in the Setup Reference	
	Software & Guide CD-ROM	163

Glossary164
Index174

Chapter 1

Introduction

Congratulations on your purchase of the Canon BJC-55 Series Color Bubble Jet Printer. We appreciate you choosing this printer to meet your printing needs. The BJC-55 Series is compact, lightweight, and offers excellent colour print quality. We hope you will be satisfied with this advanced Bubble Jet technology.

How to use this manual

This manual contains basic information about the printer, such as initial setup procedures, basic operation, the use of supplies and options, daily maintenance, and troubleshooting. Read this manual carefully in order to get the most out of your printer. The manual consists of seven sections.



Note

The descriptions in this guide are primarily for Windows 98, Windows 95, Mac OS 8.5, and Mac OS 9 (If you are using iMac, you must use Mac OS 8.1 or later). If you are using Windows 2000, On the desktop, click the Start button, point to **Programs**, point to **BJC-55**, and then click the **Guide**.

Chapter 1 Introduction

Introduces the features, options, and supplies available for the printer.

Chapter 2 Setting Up the Printer

Gives instructions for setting up the printer and managing the printer features. It also describes the printer's components and gives advice on caring for your printer.

Chapter 3 Printing

Explains how to select the appropriate paper or special media and how to load paper into the printer. It also describes precautions necessary for handling print media.

Chapter 4 Performing Test Prints

Explains how to perform all the test prints.

Chapter 5 Daily Operation and Printer Maintenance

Explains how to replace ink cartridges and BJ Cartridges, clean the print

head and printer, and describes the proper procedures for printer transportation and storage. Also describes installation of the optional Color Image Scanner Cartridge IS-12.

Chapter 6 Troubleshooting

Gives detailed instructions for solving common problems. If you have any difficulties, refer to this section.

Appendices

Lists paper specifications, accessories, and specifications.

Conventions

This manual employs the following conventions to alert you to information that will help you use the printer safely and efficiently.



CAUTIONS ABOUT ACTIONS THAT COULD DAMAGE YOUR HARDWARE OR SOFTWARE.



Notes provide advice, tips, and suggestions that are intended to help you work more efficiently with the printer.

- (☞12) A number preceded by this mark and enclosed in parentheses tells you the page number where you can find more information about the previous sentence or paragraph.

About Documents

Read This First!

As you unpack the box check each item against this sheet to make sure that you have everything. This sheet also shows you how to remove the tape and packing material from the printer.

Getting Started

Getting Started summarises the steps for setting up the printer and installing the printer driver. If you are familiar with computers and printers, follow the steps in this illustrated guide to get set up as quickly as possible.

Windows Printer Driver Guide and Macintosh Printer Driver Guide

Describes printing procedures. Provided on the Setup Software & Reference Guide CD-ROM.

About the Setup Software & Reference Guide CD-ROM

The Setup Software & Reference Guide CD-ROM provided with the printer contains the following programs. Select the desired program on the menu screen.

Install Software

Installs Software, such as the printer driver and scanner driver for the BJC-55 Series printer. For details, refer to *Getting Started*.

Reference Guide

On-line manual which explains how to use the printer. You can view the Reference Guide on the screen of your computer. You can also print the contents of the Reference Guide, if necessary.

How to Use the Setup Software & Reference Guide CD-ROM

When using Windows 98, Windows 95 or Windows 2000

Load the Setup Software & Reference Guide CD-ROM into the CD-ROM drive on a computer that satisfies the system requirements. The CD-ROM starts automatically and a menu screen is displayed. (If the CD-ROM does not start automatically, click the My Computer icon on the Windows desktop and then double-click the CD-ROM icon.)

When using Macintosh series which supports standard USB interface

Load the Setup Software & Reference Guide CD-ROM into the CD-ROM drive on a computer that satisfies the system requirements. The CD-ROM folder opens automatically. When you view the Reference Guide, follow the procedure below.

- 1.** Double-click the Manual folder.
- 2.** Double-click the folder of your language.
- 3.** Double-click the BJC55x_mac/IS12x_mac.
("x" differs depending on the language you selected.)

When you install the printer driver, refer to *Getting Started*.

About Reference Guide and Adobe Acrobat Reader

To view the Reference Guide, Adobe Acrobat Reader 3.0 or later must be installed in your computer.

When using Windows 98, Windows 95 or Windows 2000

If Acrobat Reader is installed, the Reference Guide starts up automatically. If Acrobat Reader 3.0 or later is not installed, a message appears and prompts you to install Acrobat Reader 4.0 from the Setup Software & Reference Guide CD-ROM. Follow the instructions on the screen. (When the installation of Acrobat Reader is completed, the Reference Guide starts up automatically.)

When using a Macintosh series with a standard USB interface

If Acrobat Reader 3.0 or later is not installed, install Acrobat Reader 4.0 from the Setup Software & Reference Guide CD-ROM.

- 1.** Double-click the CD-ROM icon.
- 2.** Double-click the Acrobat Reader folder.
- 3.** Double-click the folder of your language.
- 4.** Double-click “Reader 4.05” installer.
- 5.** Follow the instruction on the screen and complete the installation.

When the Reference Guide starts up, bookmarks are displayed on the right side of the screen. (For example, if you click “How to Use This Manual”, the operation procedure is displayed.)

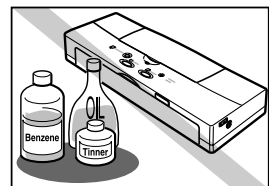
For details about how to use the Setup Software & Reference Guide CD-ROM, refer to Appendix D.

General Safety Warnings and Precautions

Read and follow all the warnings and instructions described below to prevent the hazards of fire or electrical shock.

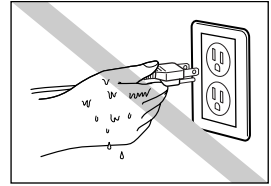
Location

- The electrical contacts inside the printer become hot during normal operation. To avoid causing a fire or dangerous electrical shock, never store volatile substances like alcohol, thinner, etc. near the printer.

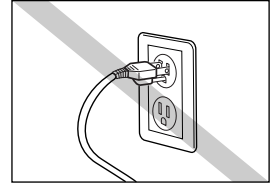


Power outlet

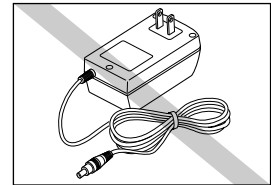
- To avoid personal injury from an electrical shock, never handle the power cord or plug when your hands are wet.



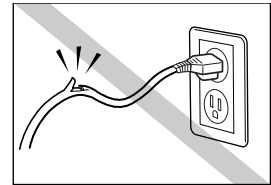
- To avoid causing a fire or serious electrical shock, make sure that the power plug is securely and completely inserted into the power outlet.



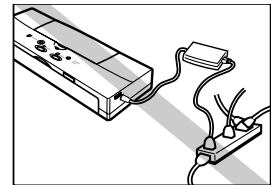
- To avoid causing a fire or serious electrical shock, never use any type of power adapter other than the universal AC adapter provided with the printer.



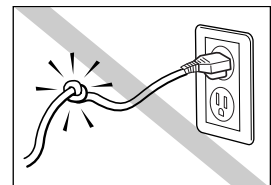
- To avoid a fire or serious electrical shock caused by a short circuit, avoid damaging the AC adapter cord or the power cord. Never attempt to modify the cords in any way. Never apply force to the cords by pulling on them and never place a heavy object on the cords.



- To avoid a fire or serious electrical shock, connect the printer power cord to an independent power outlet that is not shared by other equipment or appliances.

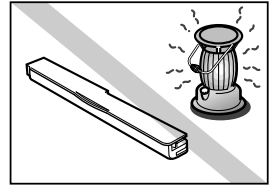


- To avoid a fire or serious electrical shock, never knot the power cord or wrap it around itself.

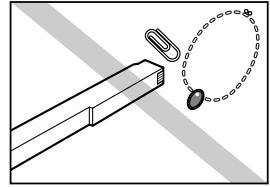


Battery

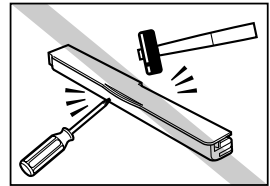
- Never heat the battery or incinerate it. Never use or store the battery near an open flame or other high heat source like a stove, space heater, etc.



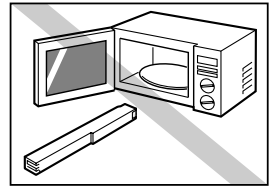
- To avoid short circuiting the battery, never touch the electrical contacts of the battery with a tool or other metal object. Always keep necklaces, hairpins, paper clips, pins, etc. away from the electrical contacts when handling or storing the battery.



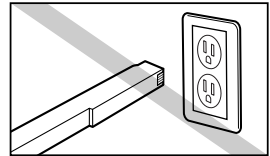
- To avoid short circuiting the battery, never attempt to disassemble the battery, strike the battery with a tool or heavy object, or attempt to repair the battery.



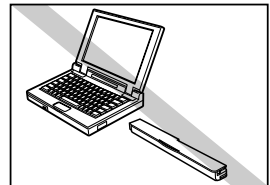
- Never place the battery in a microwave oven, stove, or subject the battery to high pressure. The battery could explode.



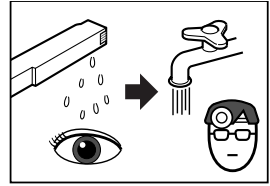
- Never attempt to connect the battery to an external power source, like a home power outlet and a cigarette lighter receptacle in an automobile.



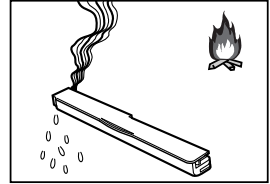
- Never attempt to use the battery in any other computer or device.



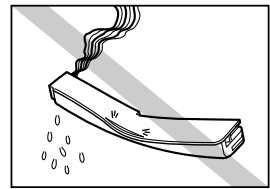
- If liquid leaked from the battery comes into contact with your eye, wash it in cold running water and contact a physician for medical treatment immediately to prevent injury or impaired vision.



- If the battery leaks, or emits smoke or noxious odorous, move it immediately to a cooler location.

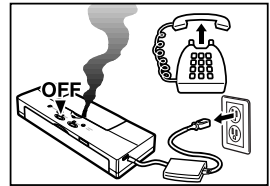


- At any time during use or storage if you notice that the battery leaking, emitting smoke or noxious odorous, or if the battery case is warped or broken, remove the battery from the printer immediately and discontinue use of the battery.



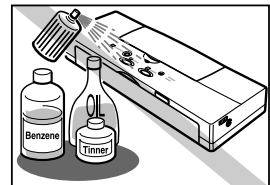
In an emergency ...

- To avoid a fire or serious electrical shock, if the printer emits smoke or a strange odour, immediately press the **POWER** button to switch the printer off then unplug the power cord from the power outlet and remove the battery. Discontinue using the printer and call for service.



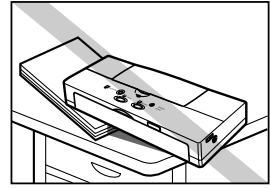
Cleaning the printer

- Use only a damp, clean cloth to clean the surfaces of the printer. To avoid a fire or serious electrical shock, never use alcohol, benzene, thinner, or any other type of volatile liquid cleaner to clean the printer.

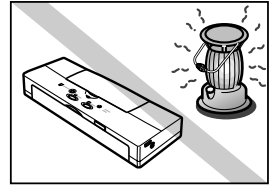


Printer location

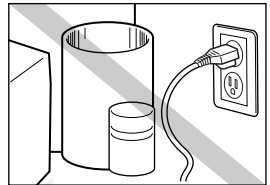
- To avoid damage to the printer or possible personal injury, place the printer on a flat, stable surface that is safe from sudden shocks or strong vibrations to ensure that it will not fall.



- To avoid damage to the printer which could result in a fire or electrical shock, place it in a location that is protected from dust, direct sunlight, high temperature, and high humidity. Use the printer in an environment where temperature and humidity are within the ranges of 5°C to 35°C (41°F to 95°F) and 10 to 90% RH (with no condensation).

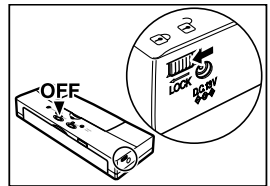


- The AC adapter cannot be quickly removed from the printer, and to avoid a fire or electrical shock, always keep the area around the power outlet free of obstacles so you can reach the power plug quickly to unplug it in an emergency.

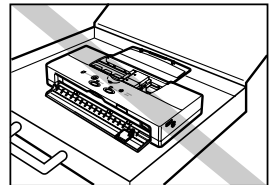


Transporting the Printer

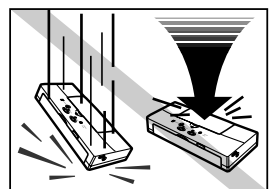
- Switch the printer off and make sure the **POWER** lamp is off. To ensure that the printer remains switched off while travelling, slide the power lock switch forward in the direction indicated by the arrow in the illustration.



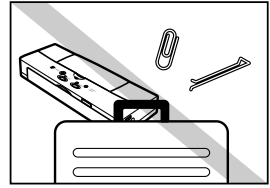
- Close the front and top covers and make sure that they are closed securely.



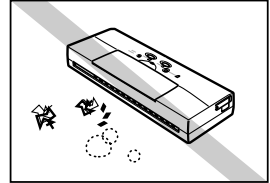
- To avoid damaging the printer while travelling, handle it carefully. Avoid dropping the printer or subjecting it to shocks or strong vibration, and never place a heavy object on top of the printer.



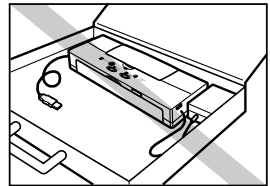
- Never carry the printer in a briefcase or handbag with loose, small metal objects (fasteners, jewellery, etc.). Loose objects could enter the paper output slot and damage the printer or cause a malfunction.



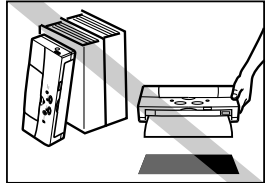
- Use the printer in a clean location which is free of dust and smoke. Do not leave the printer unattended on top of a table or desk. Always keep the top cover closed, and when the printer is not in use, store it in a drawer or other safe location to prevent any foreign object from entering the printer.



- To avoid damaging delicate cable connectors and connection points on the printer, always disconnect the USB interface cable and the AC adapter power cable before you move or transport the printer.

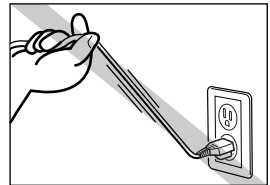


- After you reach your travel destination, always use or store the printer on a flat surface. Never store or attempt to use the printer with it standing on end or positioned at an odd angle. Never attempt to hold it in your hand while it is printing.

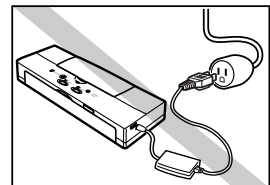


Power cord

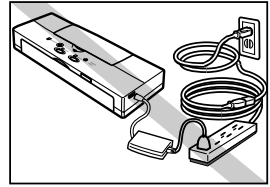
- To avoid damaging the power plug, which could cause a short circuit and cause a fire or electrical shock, never pull on the power cord to unplug the cord from the power outlet. Grip the plug to remove it from the power outlet.



- To prevent a dangerous fire or electrical shock, Never connect the printer to other than its rated power source. For details about the rated power source, see the back of the AC adapter.

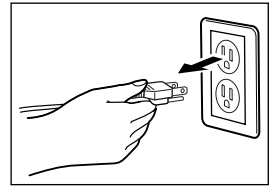


- To avoid a fire or electrical shock, do not use an extension cord.



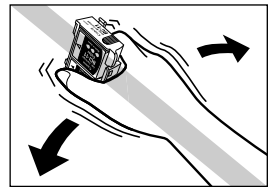
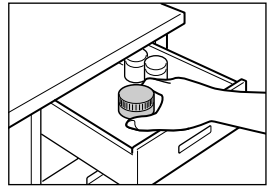
Unplug power cord and remove the battery before cleaning

- To avoid minor burns or minor injury from moving parts, press the **POWER** button to switch off the printer then unplug the power cord from the power outlet and remove the battery and allow the electrical contacts inside the printer to cool before cleaning the printer.



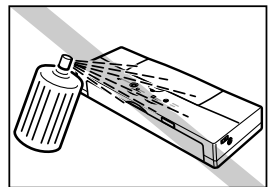
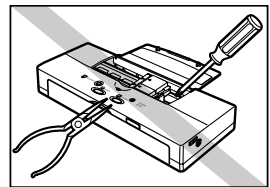
BJ Cartridges

- Store the BJ Cartridges and ink cartridges out of the reach of small children. If a child accidentally ingests ink from a BJ Cartridge or ink cartridge, contact a physician immediately.
- To avoid staining clothing or your work area with spilled ink, never violently shake or drop a BJ Cartridge.

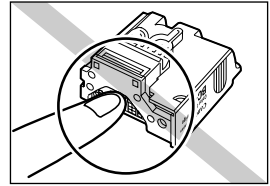


General warnings

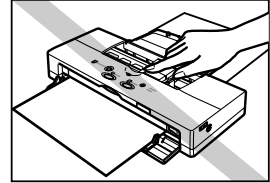
- There are high voltage points inside the printer. To avoid a fire or electrical shock, never attempt to disassemble the printer or attempt repairs.
- To avoid a fire or electrical shock, never use volatile sprays around the printer.



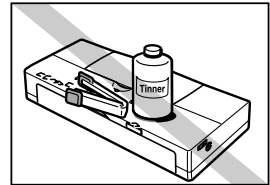
- The electrical contacts of the BJ Cartridge become extremely hot during normal operation. To avoid minor burns, never touch the electrical contacts after removing the BJ Cartridge from the printer.



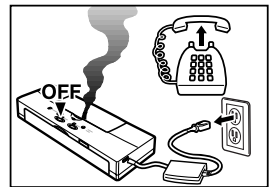
- To avoid minor injury from moving parts inside the printer, never open the cover and insert your fingers into the printer while the printer is printing.



- To avoid damage to the printer from objects falling into it, resulting in a fire or electrical shock, never place any object like a stapler, liquid container, etc. on top of the printer.

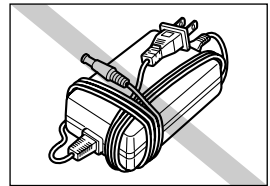


- If any object falls into the printer and damages it while it is printing, press the **POWER** button to switch it off and unplug the power cord from the power outlet. To avoid a fire or electrical shock, discontinue using the printer and call for service.



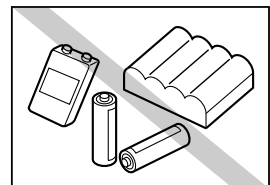
Universal AC Adapter

- When you pack the Universal AC Adapter for travel or storage, never wrap the cord around the body of the AC adapter to prevent the cord from splitting or separating from the body of the AC adapter and causing a short circuit.



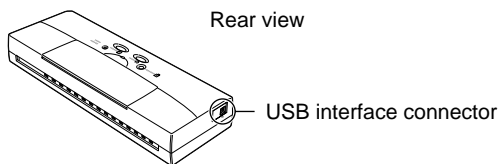
Battery

- Use only the Canon Li-ion Battery LB-50 provided with this printer. Using any other battery could cause the printer to overheat and cause smoke.



Important notes about USB connection

Follow the simple guidelines below when you connect the printer to a computer with the USB interface cable. The connector for the USB interface cable is on the side of the printer shown below.



Never disconnect the USB interface cable in the following situations:

- Before installation of the printer driver.
- During installation of the printer driver.
- While the Windows 98/Windows 2000 or the Mac OS is starting up after switching the computer on.
- During a print job.

The USB interface cable can be disconnected from the computer or printer while power is on. However, to avoid problems with the printer, never disconnect the USB cable from the computer in the four situations described above.

Wait at least five seconds before disconnecting the USB interface cable.

If you must disconnect the USB interface cable, wait at least five seconds after the computer and printer have been switched on. Removing the cable immediately after switching the computer or printer on could cause problems with the printer.

Never switch off the printer during a print job

To avoid a printer malfunction, never switch off the printer during a print job.

If you have more than one printer connected via USB, use an externally connected USB hub.

If more than one USB printer is connected to your computer, you should use a USB hub. If you are using Windows 98, each printer connected to the hub must be installed one by one.

Disconnect printer or hub first

If you must disconnect the USB interface cable with the computer power on, always disconnect the USB interface cable from the printer or USB hub before you disconnect it from the computer.

Features and benefits

This section summarises the features and benefits of the BJC-55 Series.

Compact portable design

The printer's extremely compact design and light weight allow it to fit easily into a briefcase. Despite its small size the printer has full colour printing capability on plain paper and a variety of other media. The rechargeable lithium-ion battery pack allows you to operate the printer without connecting the AC adapter. The battery pack will print up to 100 pages of normal black text at 1,500 characters per page.

High resolution colour (720 dpi)

With the Color BJ Cartridge BC-11e mounted in the printer, you can print at 720 dpi (720 dpi horizontal x 360 dpi vertical) to reproduce quality documents and images even on plain paper. The Color BJ Cartridge BC-11e employs two different sizes of ink droplets in varied patterns to create images of higher quality than ever before. The Black BJ Cartridge BC-10 prints crisp, clear document text economically with less ink and at high speed. The Color BJ Cartridge BC-12e Photo reproduces beautiful, natural colour in photographic images captured with a scanner or digital camera.

A variety of interface connections

This printer is provided with a USB and infra-red port. The USB connection can be used with an IBM compatible PC running Windows 98/Windows 2000, or Macintosh series which supports standard USB interface. The infrared port on an IBM compatible PC with Windows 98/Windows 2000 can be used for wireless printer connection between the printer and computer, or connection between the printer and PDA (Personal Digital Assistant).

Scanner feature

By switching the black or colour BJ Cartridge with the optional Color Image Scanner Cartridge IS-12, you can turn the printer into a colour image scanner.

Options and supplies

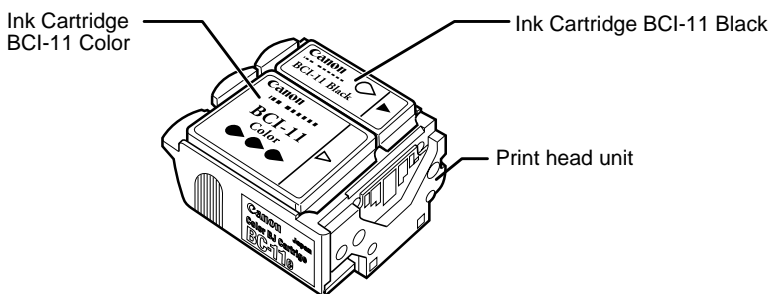
Canon offers the following options and supplies. Whenever you need any of these replaceable items, contact a local Canon Authorised Dealer or your Canon marketing representative.

BJ Cartridges and ink cartridges

Color BJ Cartridge BC-11e/BJ Cartridge BC-12e Photo

This cartridge incorporates a Bubble Jet print head unit and two replaceable ink cartridges: BCI-11 Color/BCI-12 Photo Color and BCI-11 Black/BCI-12 Photo Black as described below.

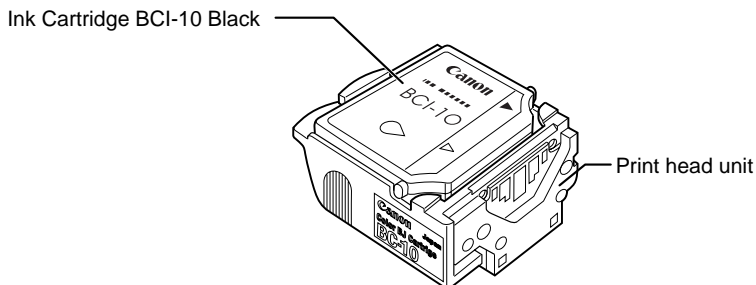
Illustration below shows the Color BJ Cartridge BC-11e.



- **BCI-11 Black/BCI-12 Photo Black:** This is a replacement for the black ink cartridge used in the Color BJ Cartridge BC-11e/BJ Cartridge BC-12e Photo.
- **BCI-11 Color/BCI-12 Photo Color:** This is a replacement for the three-colour ink cartridge used in the Color BJ Cartridge BC-11e/BJ Cartridge BC-12e Photo.

Black BJ Cartridge BC-10

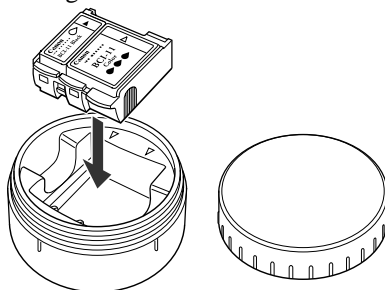
This cartridge contains both a print head unit and replaceable black ink cartridge. This cartridge is more cost-effective for black-and-white printing and enables faster output.



- **BCI-10 Black:** This is a replacement for the black ink cartridge used in the Black BJ Cartridge BC-10.

BJ Cartridge Container SB-10

This is an optional extra storage container, like the one you received with your printer, for storing a partially used Color BJ Cartridge BC-11e, BJ Cartridge BC-12e Photo or Black BJ Cartridge BC-10.



Color Image Scanner Cartridge IS-12

This optional Scanner Cartridge turns your printer into a colour scanner. To use the printer as a scanner, you must have the optional Color Image Scanner Cartridge IS-12, Windows 98/Windows 95 or Windows 2000, and a USB interface cable IFC-USB/18 (the IrDA interface is not recommended for this function) to connect the printer and the computer. The Color Image Scanner Cartridge IS-12 drops into the position normally occupied by the BJ Cartridge.



Note

Install the scanner driver from the Setup Software & Reference Guide CD-ROM provided with the printer. To avoid operational problems, do not install the scanner driver provided with the Scanner Cartridge.

Print media

To extend the capabilities of your printer, Canon offers several types of special print media.

Bubble Jet Paper LC-301

Specially designed for Canon Colour Bubble Jet printers, this paper produces sharp and vivid colour output with a more natural appearance. This water-resistant plain paper has been developed by Canon for optimum colour printing. This excellent value paper offers an affordable alternative to plain paper for everyday use. A4 and Letter sizes are available.

High Resolution Paper HR-101

Use this coated high-grade matt paper to achieve stunning photo images. The coating used on this paper is of a unique formula that ensures full compatibility with your Canon colour inks. Use this paper for crisp colour on a high-quality, non-glossy paper. A4 and Letter sizes are available.

Transparencies CF-102

Transparencies (also called Over Head Projection film or OHP film) will produce crisp and professional images and text for overhead presentations. Other transparencies may either not feed correctly into the printer or not allow the inks to dry properly leading to running and smearing of the colours. Canon overhead transparencies are specially designed to avoid these problems. A4 and Letter sizes are available.

Back Print Film BF-102

This unique Glossy Film allows you to print extremely high quality colour photographic images and graphics. It can be viewed either using rear illumination, such as a light box, or as a regular print. Back Print Film is a mylar translucent sheet. When viewed with a light box, Back Print Film provides a sharp, bright, and vivid presentation of photographs, portraits, and graphics. It is great for trade show displays and other special presentations. A4 and Letter sizes are available.

Glossy Photo Paper GP-301

The printer can produce sharp and vivid colour output on this high-grade Glossy Paper because this medium is water resistant and is fully compatible with Canon colour inks. Use this paper for your printed output that requires crisp colour rendering on a high-quality Glossy Paper. A4 and Letter sizes are available.

Glossy Photo Cards FM-101

Glossy Photo Cards FM-101 have detachable edges that you can remove after printing so that prints look like borderless photographs. This media is ideal for printing items such as invitation cards. Feed paper using the optional Auto Sheet Feeder ASF-50. For detailed instructions about using this media, refer to the instruction sheet provided with each packet of Glossy Photo Cards FM-101.

High Gloss Film HG-101

The printer produces sharp and brilliant colour output on this high grade gloss film. High Gloss Film is fully compatible with your Canon colour inks. Use this film for trade show displays or other special presentations. You can gain sharper and more vivid colour output with High Gloss Film than with Coated Paper or Glossy Paper. A4 and Letter sizes are available.

T-Shirt Transfer TR-201 (216 x 279 mm) (TR-101 in the U.S.)

T-Shirt Transfers can be used to transfer a design onto cotton or polyester cotton-blend fabric. For detailed instructions about using this medium, refer to the instruction sheet provided with each packet of T-Shirt Transfers TR-201. T-Shirt Transfers are available in A4 or A3 sizes, but only the A4 size can be used with this printer.

Power supply

Canon Li-Ion Battery LB-50

A rechargeable, replaceable battery pack is installed inside the printer to power the printer without a mains supply. To recharge the battery pack, just connect the AC adapter. The battery pack will recharge while the printer is on or off.

Universal AC Adapter AD-360U

This universal adapter can be used to supply power to the printer from any power source and to recharge the battery pack. Use this AC adapter when travelling to countries where the AC power differs from your country. A power cord appropriate for your country comes with the universal adapter.

Available options

The following options are available for use with this printer. For details, contact your local Canon Authorised Dealer or Canon marketing representative.

Canon Auto Sheet Feeder ASF-50

This optional sheet feeder can be easily and quickly installed on the front of the printer and allows you to stack and feed more than one sheet at a time for multi-sheet print jobs.

Color Image Scanner Cartridge IS-12

Turns your printer into a colour scanner.

BJ Cartridge Container SB-10

Use to store partially used BJ Cartridges.

Chapter 2

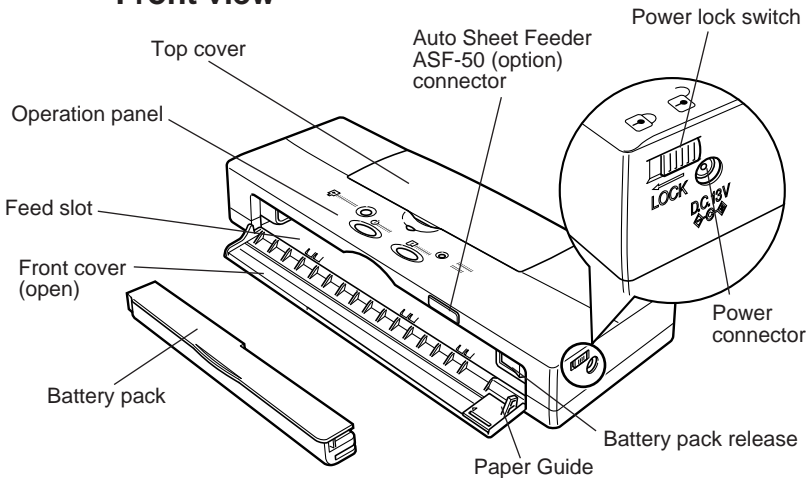
Setting Up the Printer

This chapter describes how to set up the BJC-55 Series. It offers guidelines on finding a suitable location for the printer, explains how to unpack the printer, and gives an overview of the printer's components. Even if you have already set up the printer by following the instructions in *Getting Started*, read this section to become familiar with the parts of the printer and how to use them more efficiently.

Examining the printer

Familiarise yourself with the printer's parts and functions as described below.

Front view



Top cover

Covers the paper and BJ Cartridge during printing. The top cover should remain closed unless you are changing BJ Cartridges or replacing an ink cartridge.

Operation panel

Allows you to operate some functions. (☞26)

Auto Sheet Feeder ASF-50 connector

Connects the optional Auto Sheet Feeder ASF-50 to the printer.

Power connector

Connects the printer to the universal AC adapter.

Power lock switch

After the power lock switch is slid to the right (🔒 : off position), you can press the **POWER** button to switch the printer on and off. After the power lock switch is slid to the left (🔒 : on position), you cannot switch the printer on, even if you press the **POWER** button. This prevents the printer from being switched on accidentally while it is being transported. Before transporting the printer, always slide the power lock switch to the left. Otherwise, leave the power lock switch at the right position so you can operate the **POWER** button normally to switch the printer on and off.

Battery pack

The Canon Li-Ion Battery LB-50 provides power to the printer when the AC adapter is not connected. When the AC adapter is connected, the printer is powered from the AC adapter. When the battery pack requires recharging, the **CHARGE/ERROR** lamp will light green. To recharge the battery pack, connect the AC adapter to the printer and to a power outlet. When the battery pack is fully charged, the **CHARGE/ERROR** lamp will go off.

Battery pack release

Push to the right to release the battery pack so you can remove it. Do not remove the battery pack unless you are going to store the printer for a prolonged period (three months or more).

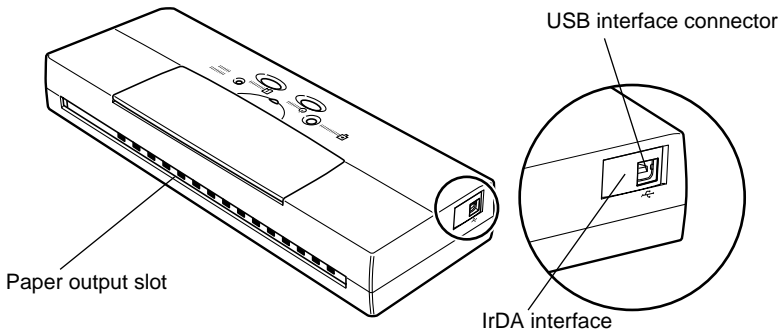
Front cover

When closed, covers the battery pack. Folds down so you can feed paper and other media to the printer. Open the front cover only when you are feeding paper or other media into the printer.

Feed slot

Allows you to feed one sheet of paper or other media for printing. Always align the left edge of the sheet with the left side of the feed slot.

Rear view



Paper output slot

Ejects paper after it is printed. Place the printer on a flat clean surface with enough space to support printed sheets as they are ejected.

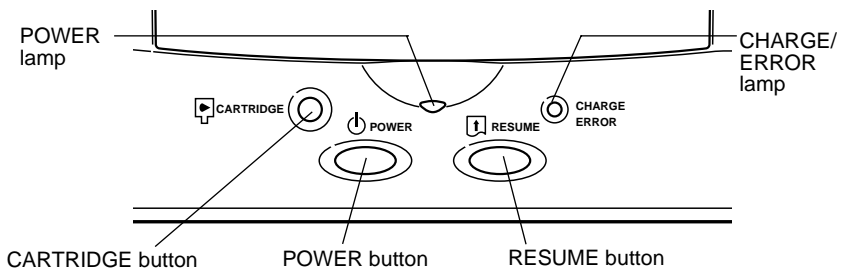
USB interface connector

Provides connection point for connection of a USB interface cable from the computer.

IrDA interface

Provides wireless connection between the printer and a computer equipped with an IrDA interface.

Operation panel



CARTRIDGE button

Press to move the cartridge holder to the centre for switching BJ Cartridges or replacing ink cartridges.

POWER button

Press to switch the printer on and off. (☞32)

POWER lamp

Flashes for a few moments after power on and then lights and stays on to indicate that the printer is ready for normal operation.

The **POWER** lamp flashes in the following situations:

- During print head cleaning after you switch the printer on. The print head is cleaned automatically every time you switch on the printer. When the **POWER** lamp stops flashing, print head cleaning is finished and the printer is ready for operation.
- During print head cleaning or flushing started from the operation panel with the **RESUME** button, from the Windows printer driver.
- When the last page of a print job does not print.
- While you are performing routine print head maintenance such as replacing an ink cartridge, replacing a BJ Cartridge, changing BJ Cartridges, or replacing the BJ Cartridge with the Color Image Scanner Cartridge IS-12.
- During printing the Nozzle Check Pattern.

RESUME button

Press to cancel errors and warnings. The **RESUME** button also performs these important functions:

- **Error recovery.** After an error occurs, press once to return the printer to the normal operation mode.
- **Paper Feed.** If the **POWER** lamp is flashing to signal that data remains to be printed, insert a sheet of paper in the printer and press **RESUME** once to print the remaining page of data.
- **Print head cleaning.** Press and hold down the **RESUME** button for two seconds until the printer beeps twice then release to start print head cleaning. The **POWER** lamp flashes during print head cleaning. (☞85)

- **Print head flushing.** Press and hold down the **RESUME** button for over six seconds until the printer beeps three times then release to start print head flushing. The **POWER** lamp flashes during print head flushing. (☞85)

CHARGE/ERROR lamp

When the printer is off and the AC adapter is connected to the printer and plugged into the power mains, the **CHARGE/ERROR** lamp lights green and stays on while the battery pack inside the printer is recharging. After the battery pack is fully charged, this lamp will go off.

When the printer is on, the **CHARGE/ERROR** lamp lights or flashes orange when an error occurs. Remove the cause of the error then press **RESUME** to resume normal operation. The first time you switch on the printer, the empty cartridge holder will move to the centre. The **CHARGE/ERROR** lamp will light orange and the printer will beep three times to remind you to install a BJ Cartridge.

Installing the battery pack

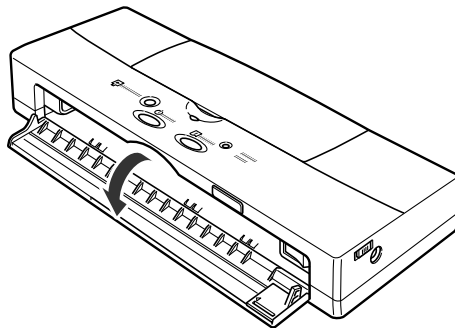
Follow this procedure to install the battery pack in the printer.



Note

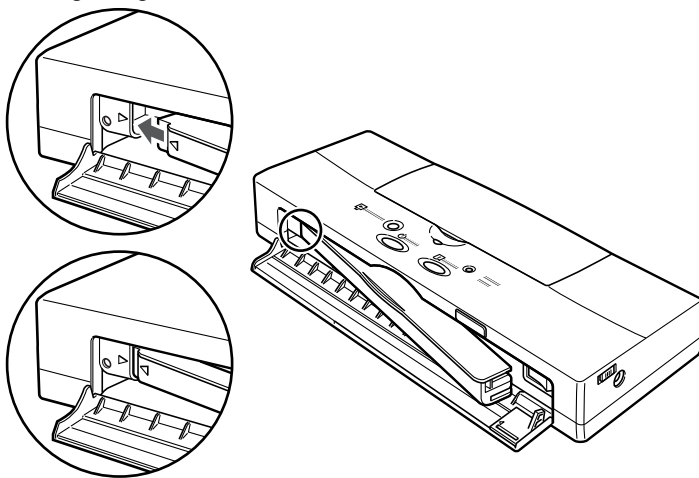
Install only a Canon Li-Ion Battery LB-50 battery pack. You must install the battery pack and leave it installed in the printer, even if you intend to use the printer only with the AC adapter. If the battery pack is not installed when you switch on the printer, the CHARGE/ERROR lamp will light orange and the printer will beep six times.

- 1.** Open the front cover.

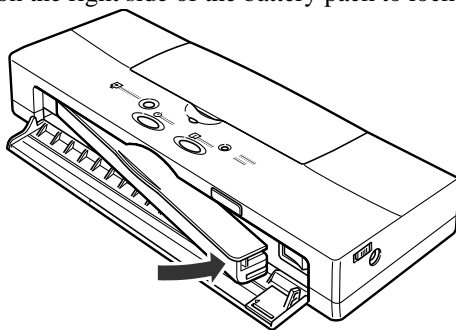


- 2.** If you are installing a new battery pack, remove the battery pack from its package.

3. Align the mark on the printer (▷) with the mark on the battery pack (◁) and insert the left end of the battery pack into the printer at a slight angle.



4. Push in on the right side of the battery pack to lock it in place.



5. Close the front cover.

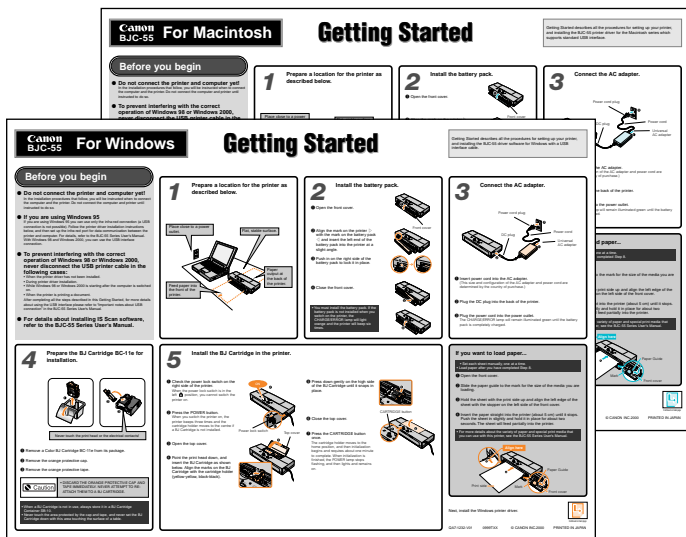


FOLLOW THESE GUIDELINES WHEN STORING AND HANDLING THE BATTERY PACK:

- A battery pack is not charged when purchased. You must charge the battery pack for about 4 to 6 hours for it to reach full charge.
 - For best results, use the battery pack at room temperature. At low temperatures the capacity of the battery pack is diminished and it will print fewer sheets between recharging sessions.
 - Never attempt to recharge the battery pack with any device other than the Universal AC Adapter AD-360U supplied with this printer.
 - To avoid personal injury from an explosion, never expose the battery pack to an open flame and never attempt to incinerate an old battery pack.
 - Used battery packs should be disposed of according to environmental regulations in your country. For details, contact your Canon Authorised Dealer or Canon representative.
 - To avoid damaging the contacts on the corner of the battery pack, avoid touching them with any metal object like a tool, jewellery, the surface of a metal table, etc. Damaged contacts could cause leaking and serious burns.
 - To avoid personal injury from corrosive liquids, never attempt to disassemble the battery pack.
 - If any liquid from a leaking or broken battery pack gets into your eyes, flush your eyes immediately with clean water and contact a physician.
 - Never attempt to connect the battery pack directly to mains (house) current or to a cigarette lighter socket in an automobile.
 - Never attempt to use this battery pack for any purpose other than as a power source for this printer.
 - Never store a battery pack in a location above room temperature.
 - Remove the battery pack immediately and contact your Canon Authorised Dealer or Canon Representative if the battery pack shows any signs of warping, releasing a strange odour, leaking fluid, or overheating. However, do not be concerned if the battery pack feels slightly warm during recharging; this is perfectly normal.
 - If you intend to store the printer for a prolonged period (3 months or more), remove the battery pack. Store the printer and battery pack in a dust-free location away from direct sunlight.
 - Always handle the battery pack with care to avoid dropping it and damaging its casing and contacts.
-

Connecting the printer and installing the printer drivers

The procedures for connecting the printer and computer and the installation of the printer driver are described in *Getting Started*. The connection procedures differ, depending on the type of computer that you want to use, so you must read *Getting Started*, especially if you are using a Canon Bubble Jet printer for the first time.



Note

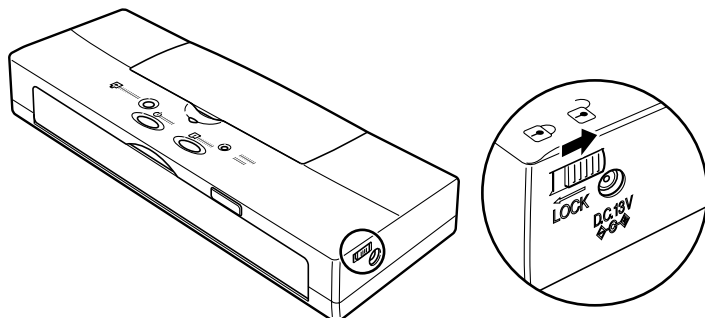
The following printer driver is also provided on the Setup Software & Reference Guide CD-ROM:

- Printer driver for **Windows CE**.

Before you install this printer driver, read the **Readme.txt** file in the WinCE\Printer\Disk1 folder on the Setup Software & Reference Guide CD-ROM.

Switching the printer on and off

1. Before you switch the printer on, check the power lock switch on the right side of the printer. If the power lock switch is in the left position, slide it to the right.



Note

When the power lock switch is in the left position, it locks the power switch off so it cannot be switched on accidentally during transportation.

2. To switch the printer on, press the **POWER** button.
3. To switch the printer off, press the **POWER** button.



Note

- The printer has an energy saving Auto Power Off feature which will power off the printer automatically if the printer remains idle for 30 minutes. To turn this feature off, or to set the idle time interval, open the printer driver and adjust these settings on the Control tab. For details, refer to the *Windows Printer Driver Guide* or *Macintosh Printer Driver Guide*.
 - Never unplug the power cord from the power outlet while the printer is printing. If the power cord is unplugged while the printer is operating, the cartridge holder will stop and not return to the home position. If the cartridge holder remains out of the home position without the print head capped, the print head will dry out and make the BJ Cartridge unusable.
 - You can also switch off the printer with the printer driver. For details, refer to the *Windows Printer Driver Guide* or *Macintosh Printer Driver Guide*.
-

Installing and using printer drivers

In order to use a BJC-55 Series Printer, you must install the correct printer driver on your computer. This section explains the printer drivers.

Printer drivers for Windows 98, Windows 95, Windows 2000 and Mac OS 8.5/Mac OS 9 (If you are using an iMac, you must use Mac OS 8.1 or later.) are provided with the printer. For installation instructions, see *Getting Started* or the *Windows Printer Driver Guide* or *Macintosh Printer Driver Guide*.

	USB	IrDA (Infra-red)	Comment
Windows 95	No	Version 1.0	In order to use an infra-red connection, you will need a Microsoft infrared port driver version 2.0.
Windows 98/ Windows 95/ Windows 2000/ Windows CE	Yes	Version 1.1	If you are using Windows 2000, the BJ Status Monitor feature is not available.
Mac OS	Yes	No	



Note

The following printer driver is also provided on the Setup Software & Reference Guide CD-ROM:

- Printer driver for Windows CE.

Before you install this printer driver, read the Readme.txt file in the WinCE\Printer\Disk1 folder on the Setup Software & Reference Guide CD-ROM.

Setting up the IrDA wireless interface

If you have a computer or PDA with an infra-red port for wireless data transmission, you can set up a cordless connection with the printer. You can use the IrDA method to effect infrared data transmission.

Before you can set up an infra-red connection with the printer, you must perform several settings on the computer. Make sure that you read the section below before you set up the connection.

What you need for infrared data transmission

You can use the infrared interface with Windows 95, Windows 98, or Windows 2000. However, in order to use the infrared interface, your computer should meet the following requirements.

Computer	IBM PC/AT or a compatible computer
CPU	Intel Pentium or faster
IrDA	IrDA 1.1 or later
Baud rate (transmission speed)	Max. 4 Mbps
Infrared transmission device	Built-in infra-red port on the computer, or an infrared transmission adapter connected to the parallel or serial port.
Operating system	Windows 98/Windows 2000



Note

If you are using Windows 95, you need IrDA 1.0 with a maximum baud rate of 115.2 kbps, and the Microsoft infrared port driver version 2.0.

Confirming that the infra-red transmission driver has been installed

Follow this procedure to confirm that the infra-red transmission driver has been installed.

1. Click the Start button, point to Settings, and click Control Panel to open the Control Panel window.
2. Look at the Control Panel window and confirm that the Infrared Monitor icon is displayed.

If the Infrared Monitor icon is displayed, the required infra-red transmission driver has already been installed.

If the Infrared Monitor icon is not displayed, refer to your Windows manual for instructions on installing the infrared port.

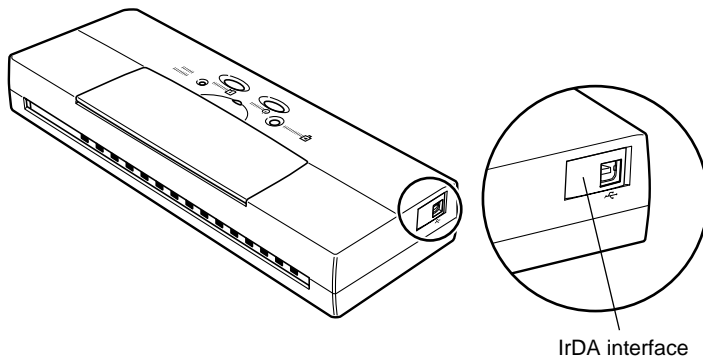
If you are using Windows 95 and the Infrared Monitor icon is not displayed, close the Control Panel window and follow the procedure below.

3. From the Start menu, choose Find, then click on Files or Folders. This displays the Find All Files dialog box.
4. Enter the file name **Infrared.txt** in the Named box, and then click on the Find Now button. (Normally, these files exist under the Windows directory.)
5. The **Infrared.txt** file describes the procedures for installing and using the IR Communications Driver Version 2.0. Please read the contents of the file carefully.

Using infra-red data transmission

Follow this procedure to set up the printer for data transfer via the IrDA interface.

1. The printer IrDA interface is on the left side of the printer.

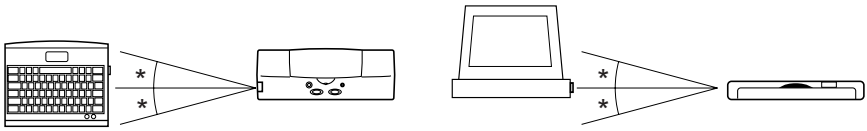


2. Locate the IrDA interface on the computer. Arrange the printer so the IrDA interface ports are facing one another.



The IrDA interface ports must face one another and be approximately level, within a range of about 15 degrees left or right, approx. 15 degrees up or down and not more than 80 cm (31.49 inches) apart.*

*May vary depending on the specific computer, PDA, and communication protocol used.



* ... approx. 15 degrees

The following conditions may reduce the reception range of the IrDA interface.

- If another IrDA device is attached.
- If another infra-red device, like a set of wireless headphones or a remote controller, for example, is broadcasting in the same area.
- If the IrDA port is exposed to sunlight, fluorescent light, or any other strong light source like a large torch.
- If the IrDA port is not clean. Clean it with a soft, dry cloth if the port is smudged or dirty.

3. Make sure the computer is set up for IrDA operation.

To use IrDA successfully, make sure the following conditions are satisfied:

- Make sure the infra-red driver Microsoft IR Comm Driver Ver. 3.0 has been installed.
- If you are using Windows 95/Windows 98, make sure a COM port has been selected for IrDA with the Printer Wizard. Allocation of a port for an IrDA wireless interface may depend on the computer you are using. Usually COM4 can be selected as an external serial (COM) port. For details about how your system configuration, refer to your computer manual.
- If you are using Windows 2000, select IR as the destination printer port. For details about how to do this, refer to your computer documentation.
- Make sure the BJC-55 is selected as the default printer with the BJC-55 printer driver.
- Only the Microsoft IR Comm Driver Ver. 3.0 can be used as the IrDA driver for the BJC-55 Series. Other IrDA drivers cannot be used.
- The IrDA interface cannot detect the printer status and reset the printer. If communication between the printer and computer is interrupted and the print job is stopped, the printer is initialised automatically. (The buffer memory of the printer is cleared and the paper is ejected.)

Installing the BJ Cartridge

This printer is shipped with a colour and black BJ Cartridge, one of which must be installed before you can use the printer. Each BJ Cartridge contains removable ink cartridges and a print head unit which releases the ink.

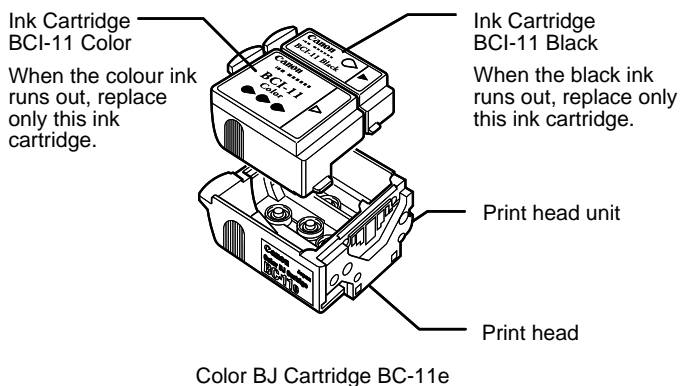
The Color BJ Cartridge BC-11e or BJ Cartridge BC-12e Photo is mainly for colour printing, and the Black BJ Cartridge BC-10 is for monochrome printing. Select the cartridge based on the print job (colour or monochrome).

Choosing which BJ Cartridge to use

Color BJ Cartridge BC-11e/BJ Cartridge BC-12e Photo

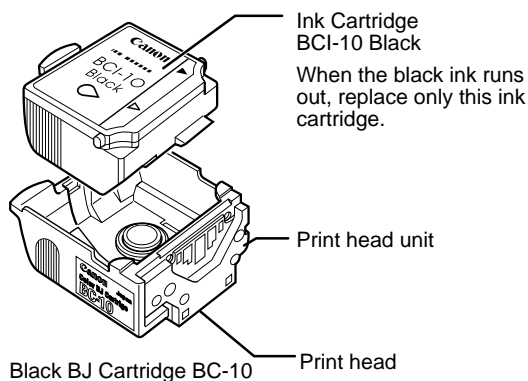
Use this cartridge for printing in colour. Use the BC-11e/BC-12e Photo whenever you want to produce brilliant colour output. Do not waste the black ink cartridge of this colour BJ Cartridge by printing drafts of black-and-white text documents. Use the colour BJ Cartridge only for printing colour.

(Illustration below shows the Color BJ Cartridge BC-11e.)



Black BJ Cartridge BC-10

Use this cartridge for printing in black and white for draft output. When the BC-10 is installed your output will print faster. The BC-10 is also more cost effective for monochrome printing because it can print more pages per cartridge than the BC-11e.



BJ Cartridge guidelines

Canon manufactures several types of BJ Cartridges, but you must use only the BJ Cartridges designed for this printer. To ensure the best performance with the BJC-55 Series, use only Canon Color BJ Cartridge BC-11e, Canon BJ Cartridge BC-12e Photo or Canon Black BJ Cartridge BC-10. Canon cannot guarantee your print quality if you use any other type of BJ Cartridge.

To avoid drying out the ink, clogging the print head, or ink leakage, follow these simple precautions:

- Do not unpack a BJ Cartridge until you are ready to use it.
- Keep the BJ Cartridge out of the reach of children. If spilled, the ink is difficult to clean.
- Install the BJ Cartridge in the printer immediately after removing the protective cap and protective tape.
- Never shake a BJ Cartridge.
- Never attempt to disassemble a BJ Cartridge.
- Never place a BJ Cartridge on a table with the print head facing down.
- The BJ Cartridge must be installed in the printer or be stored in the BJ Cartridge Container SB-10. If the print head is left uncapped, the print head may dry out.

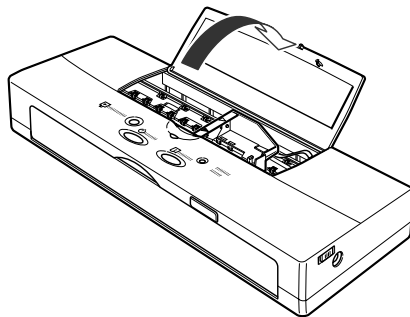
BJ Cartridge installation

1. Press the **POWER** button.

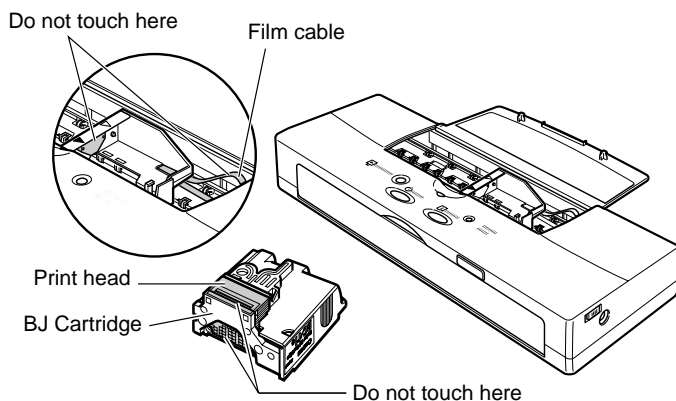


When you switch the printer on, the printer beeps three times and the cartridge holder moves to the centre if a BJ Cartridge is not installed.

2. Open the top cover.



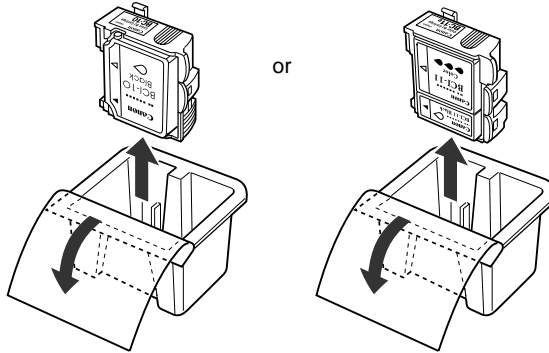
- Never move the cartridge holder to the centre by pulling the film cable. Never touch the interior of the empty cartridge holder, the terminal of the print head unit, the print head itself, or the film cable when installing the BJ Cartridge (shaded portions).
- When the top cover is open, never touch the orange film cable inside the printer.



3. Remove the BJ Cartridge from its protective packaging.

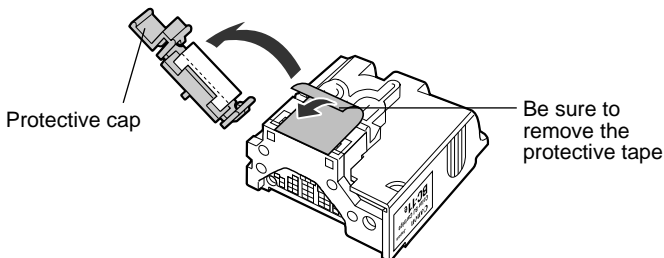
Black BJ Cartridge BC-10

Color BJ Cartridge BC-11e/
BJ Cartridge BC-12e Photo
(Illustration below shows the
color BJ Cartridge BC-11e.)



When you use the Color BJ Cartridge BC-11e or BJ Cartridge BC-12e Photo, make sure that two ink tanks, one BCI-11 Black and one BCI-11 Color (or one BCI-12 Photo Black and BCI-12 Photo Color), are installed in the BJ Cartridge. Printing is not possible if the ink tanks are not installed correctly.

4. Remove the orange protective cap from the print head and then remove the orange protective tape.





Note

- To avoid staining your clothing or items in your work area, do not drop or shake the BJ Cartridge. The ink in the BJ Cartridge can stain fabric permanently.
- After removal, discard the protective cap and tape immediately according to regulations in your area regarding the disposal of such items. Never attempt to reattach the protective cap or tape to the BJ Cartridge. Reattaching the cap or tape prevents colour printing from executing correctly.



Caution

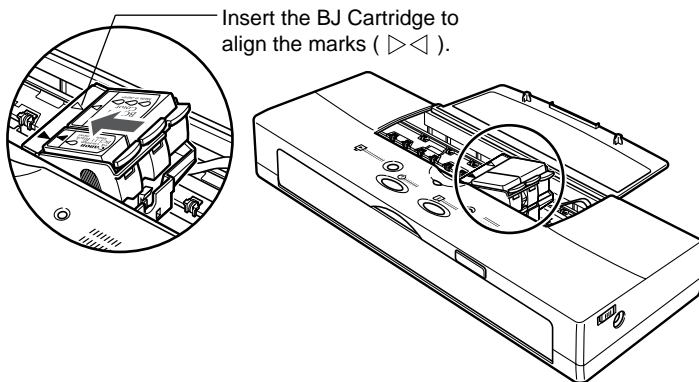
- TO AVOID DAMAGING THE PRINTER, NEVER ATTEMPT TO INSTALL THE BJ CARTRIDGE WITH THE PROTECTIVE CAP OR TAPE ATTACHED. PRINTING IS NOT POSSIBLE IF THE PROTECTIVE TAPE IS NOT REMOVED.
- TO AVOID DAMAGING THE BJ CARTRIDGE, NEVER TOUCH THE PRINT HEAD OR THE METAL CONTACTS ON THE BJ CARTRIDGE.

5. Point the print head down, and insert the BJ Cartridge as shown below. Align the marks on the BJ Cartridge with the cartridge holder (yellow-yellow, black-black).

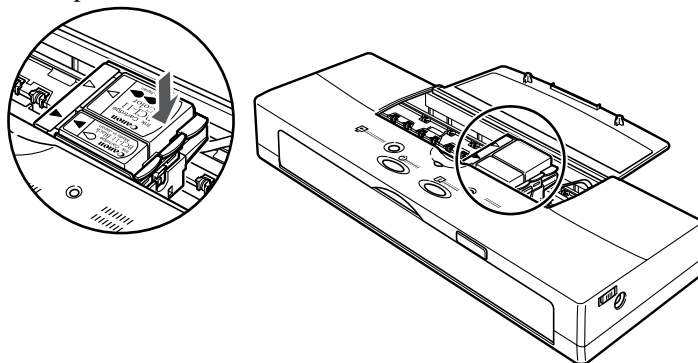


Note

This illustration shows the installation of the Color BJ Cartridge BC-11e.

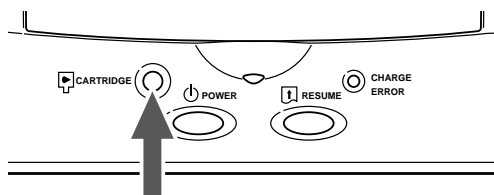


6. Press down gently on the high side of the BJ Cartridge until it snaps in place.



7. Close the top cover.

8. Wait about three seconds and press the **CARTRIDGE** button once.



After the BJ Cartridge is installed, the printer requires at least two seconds to detect the presence of the BJ Cartridge then the cartridge holder will move to the home position.



Note

Always press the CARTRIDGE button to move the cartridge holder to the home position. If you fail to press CARTRIDGE button and the cartridge holder stays in the centre, after five minutes the buzzer beeps three times and the cartridge holder automatically returns to the home position to prevent the print head from drying out.

Printing

This chapter describes how to load plain paper and special media in the printer. To get the best performance from your printer, use the media most appropriate for the task and make sure that you follow these instructions to load it correctly.

Paper and other print media

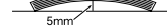
- Always handle paper and special print media by the edges, and avoid touching the print surfaces of the sheets. If the print surface is soiled or scratched, the print quality will deteriorate.
- Always store unused paper and special print media in its original package. Never bend the media and store the package flat, in a cool location that is not exposed to high temperatures, high humidity, or direct sunlight.
- Never use media that is excessively curled, creased, or in any other way defective. If the media is curled, you may be able to remove the curl by bending the media in the opposite direction before setting it in the printer.



To straighten curled media, bend it through an arc of about 5 cm in the direction opposite the curl until it is straight.



Hold the edges of the stack diagonally and bend gently.



Make sure that envelopes are not curled more than 5 mm.



Note

After printing never allow any moisture to contact the printed surface to avoid spoiling the ink.

Selecting paper types

One of the most important things you can do to ensure the best possible performance from your printer is to select the correct print media. Your printer produces letter-quality print on most plain paper, including cotton bond and photocopier paper, and does not require special ink jet paper. However, the print quality varies with different paper types, especially with colour printing. Plain paper should be fully tested before large quantities are purchased. Your printer accepts either plain paper or the special media as described below.

Plain paper

Paper fed to the printer must be free of curls, folds, and damaged edges. The printer can accept A4, A5, B5, Letter and Legal size sheets in portrait orientation. Paper thickness should be in the range 64 to 105 gsm. Paper must be fed to the printer one sheet at a time unless you have installed the optional sheet feeder. Canon produces Bubble Jet Paper LC-301, a plain paper designed specially for Canon Bubble Jet printers.



This printer meets the standards for using recycled paper. The BJC-55 Series produces excellent printouts on recycled paper.

Special media

Several special media have been designed for use with the BJC-55 Series and other Canon Bubble Jet printers. When you handle special media other than plain paper (e.g. Coated Paper), follow these guidelines:

- Store the media in its original package until you are ready to use it. Exposing media to direct sunlight or air may lower the print quality.
- Avoid high temperature and high humidity. Store media in a comfortable environment that is not subject to wide changes in temperature or humidity.
- Before using the media, always read the precautions and additional instructions printed on the package or in the instructions provided with the packet. Special media like T-Shirt Transfer TR-201 (TR-101 in the U.S.) require special handling after printing. Detailed instructions are provided with purchase of these media.
- When using High Resolution Paper HR-101, do not use the cleaning sheet supplied with the packet. The cleaning sheet will not feed smoothly through the BJC-55 Series.

Envelopes

You can print addresses on envelopes of two common standard sizes:

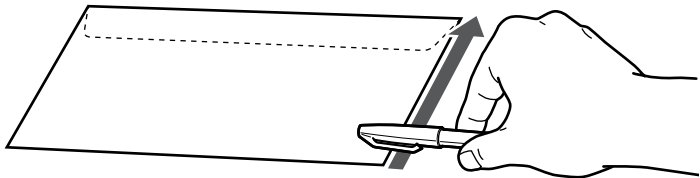
- European DL size (220 x 110 mm).
- U.S. Commercial 10 (241 x 105 mm (9.5 x 4.1 inches)).



Note

An envelope can be loaded horizontally or vertically for printing. Envelopes, like other media, must be loaded one at a time.

If an envelope will not advance, use the top of a biro or pen to sharpen the crease of the right edge of the envelope.



The following envelopes cannot be used:

- Envelopes with windows, holes, perforations, cutouts, and double flaps.
- Envelopes made with special coated paper or deeply embossed paper.
- Envelopes using peel-off sealing strips.
- Envelopes in which letters have already been enclosed.
- Warped envelopes or envelopes that have been folded.

Selecting the print media

The correct choice of media is particularly important for colour printing.

The Canon BJC-55 Series is capable of printing not only on plain paper, but also on envelopes, transparencies, and other media. Please use the following guidelines when selecting a print media for your documents.

- Plain copier paper provides good results, and paper with cotton fibre is also suitable for colour printing.
- For important presentations or documents that include intensive graphics and colour, use High Resolution Paper HR-101, High Gloss Film HG-101, Glossy Photo Paper GP-301, or similar products. The printer will produce even more vivid colours with these media. When printing on High Gloss Film or Glossy Photo Paper, print on the glossy side only.
- Before printing on High Gloss Film HG-101 or Back Print Film BF-102, set one sheet of plain paper in front of the printer where the printed film will be ejected. This insulates the ejected sheet from the build-up of static electricity between the surface of the desk or work table under the printer and the film. A static charge could jam the film and prevent it from ejecting correctly.
- Use Glossy Photo Cards FM-101 when creating photo greeting cards. This media allows you to make beautiful, borderless cards. When printing on this media, be sure to print on the side with the glossy finish.
- For overhead presentations, use Transparencies CF-102. Do not use

copier transparencies as they cannot absorb the ink.

- If back-lighting is available for your presentation, you can use Back Print Film BF-102. This print medium is a mylar translucent sheet on which colours appear very vivid when shown with a back-lighting device.
- You can also produce original designs on T-Shirt Transfer TR-201 (TR-101 in the U.S.) and transfer them with a hot iron to cotton or cotton-polyester blend T-shirts.
- For envelopes, use European DL size (220 x 110 mm) or U.S. Commercial 10 (241 x 105 mm (9.5 x 4.1 inches)).
- When you use special print media, make sure that you always print on the correct side. For details, refer to the table for loading special media. (☞49)

Loading paper and other media

Paper and other media must be loaded one sheet at a time.



Note

- Before you attempt to load single sheets of paper or other media into the feed slot on the front of the printer, make sure the battery pack is installed. If the battery pack is not installed, you may experience problems feeding paper or other media into the front feed slot. Install the battery pack and leave it installed, even if you intend to use the printer only with the AC adapter.
- Before you load a sheet of paper or other media in the printer, make sure the computer is turned on. If you turn on the computer after the printer is loaded, the sheet will eject from the printer.

Follow this procedure to load paper or other media one sheet at a time.

- 1.** Open the front cover.
Make sure that battery is installed. If the battery is not installed, install it. (☞28) An error will occur if the battery is not installed.
- 2.** Make sure the printer driver and software application are set up for the media you are going to print on. For details, refer to the *Windows Printer Driver Guide* or *Macintosh Printer Driver Guide*.

3. Select one sheet of the media you want to load and hold the print side up at the edge of the feed slot.



Note

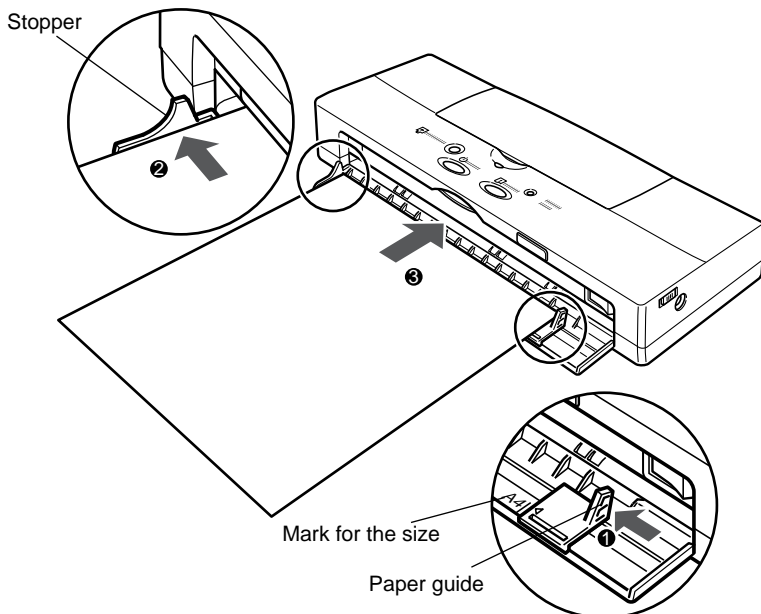
You must determine the correct print side of the sheet, based on the type of media you are using. Refer to the table below.

Loading Table for Manual Feed

Name	Media Type*	Print Side	Purpose
Plain paper	Plain Paper	Either side up	General purpose printing.
Bubble Jet Paper LC-301	Plain Paper	Either side up	All purpose paper for printing business letters, tables, graphs, charts, colour presentations, etc.
Glossy Photo Paper GP-301	Glossy Photo Paper	Glossy side up	Produces superior results in printing photographic images.
Glossy Photo Cards FM-101	Glossy Photo Cards	Glossy side up	Ideal for printing photographs on card size sheets.
High Resolution Paper HR-101	High Resolution Paper	Whiter side up	Produces vivid graphics and near-photo quality with photographic images.
Transparencies CF-102	Transparency	Either side up	Produces colour images for display with an overhead projector.
High Gloss Film HG-101	High Gloss Film	Glossy side up	Specially designed to reproduce photographic images in lustrous colours.
Back Print Film BF-102	Back Print Film	Matte side up	Special mylar-based translucent sheets for printing colour images to be projected with a backlighting device.
T-shirt Transfer TR-201 (TR-101 in the U.S.)	T-Shirt Transfer	Side with green lines face down.	Print on the sheet then transfer the colour image to a cotton or polyester-cotton blend T-shirt with a hot iron.

*Media Type: This is the name of the Media Type you will see after you pull down the list for Media Type on the Paper control sheet of the printer driver.

4. Slide the paper guide ❶ to the mark for the size of the media you are loading.
5. Hold the sheet with the print side up and align the left edge of the sheet with the stopper ❷ on the left side of the front cover.



6. Insert the paper straight into the printer ❸ (about 5 cm) until it stops. Push the sheet in slightly and hold it in place for about two seconds. The sheet will feed partially into the printer.



- If the sheet is too narrow (less than 100 mm), or if the sheet is inserted diagonally, the buzzer will beep once, the CHARGE/ERROR lamp will flash, and the printer will eject the paper from the feed slot. After the sheet is inserted again correctly, the printer will reverse feed it slightly and the buzzer will not beep. If POWER lamp is flashing, data remains to be printed. Press the RESUME button to finish the print job.
- If the POWER lamp lights and remains on, remove the sheet and then load it again.

7. Start the print job with your software application.

Changing the BJ Cartridges

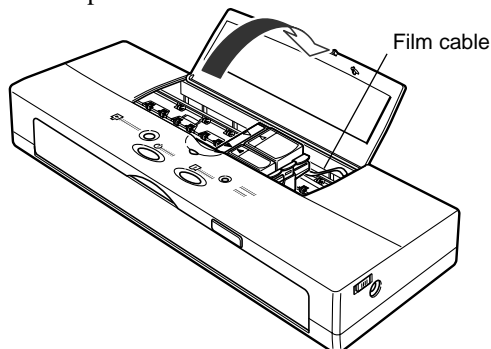
Follow the procedure below to change the BJ Cartridges. For example, before you print a long report full of black-and-white text, replace the Color BJ Cartridge BC-11e or BJ-Cartridge BC-12e Photo with a Black BJ Cartridge BC-10.

1. Check the printer **POWER** lamp and make sure that it is on. If the printer is off, press the **POWER** button to switch it on.
2. Press the **CARTRIDGE** button. The cartridge holder moves to the centre and the **POWER** lamp flashes.



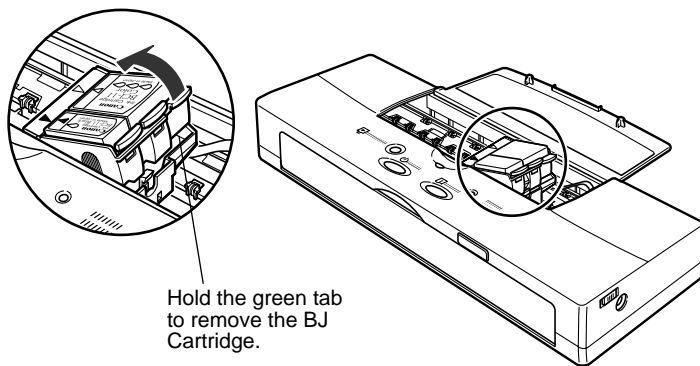
If the print head is overheated, it may not move to the centre immediately. Wait a few minutes for the print head to cool down. Never attempt to move the cartridge manually by pushing it or pulling on the film cable.

3. Open the top cover.



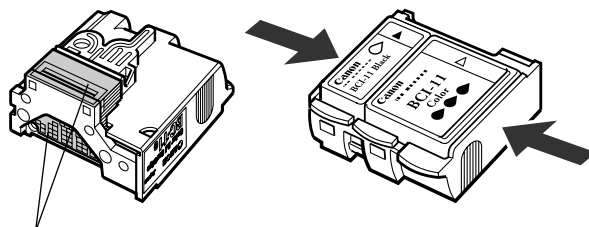
When the top cover is open, never touch the orange film cable inside the printer.

4. With the tip of your finger, lift up the green tab on the corner of the BJ Cartridge then raise the cartridge and green print head unit out of the cartridge holder. The white and Grey tabs are used for replacing the ink cartridge.



Note

Always hold a BJ Cartridge by its sides and never touch the wet print head or metal contacts.



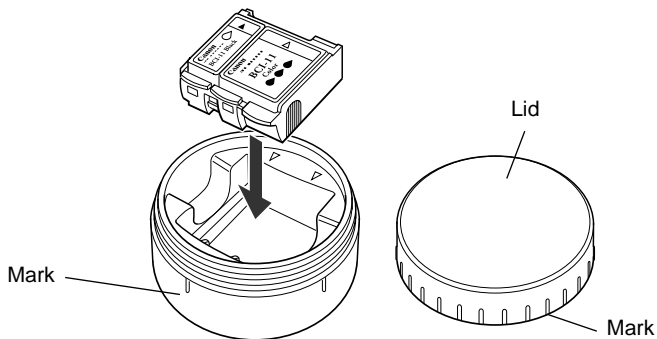
Do not touch here!

5. After removing the partially used BJ Cartridge, use the BJ Cartridge Container SB-10 supplied with the printer.
Align the marks on the BJ Cartridge with the marks on the container and insert the BJ Cartridge into the container.
6. Screw the lid onto the storage container until it stops then continue twisting the lid until the mark on the lid is aligned with the mark on the body of the storage container.



Note

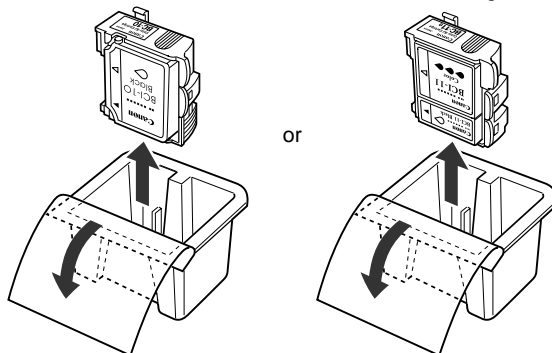
Always screw the lid on tightly to prevent the BJ Cartridge from drying out.



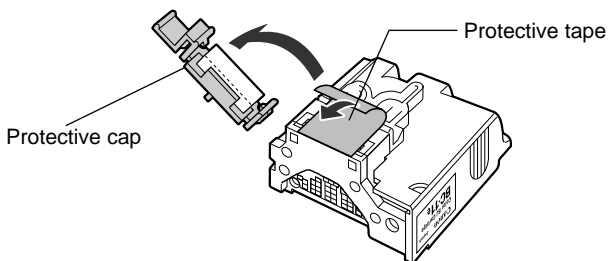
7. If you are installing a new BJ Cartridge, remove the BJ Cartridge from its protective packaging.

Black BJ Cartridge BC-10

Color BJ Cartridge BC-11e/
BJ Cartridge BC-12e Photo
(Illustration below shows the
Color BJ Cartridge BC-11e.)

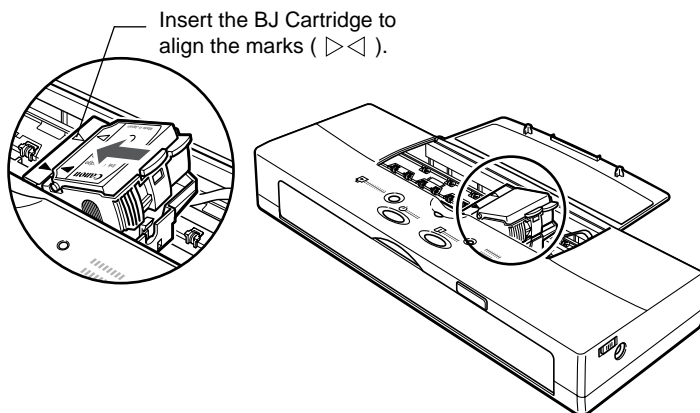


- 8.** If you are installing a new BJ Cartridge, remove the orange protective cap and orange protective tape from the BJ Cartridge.

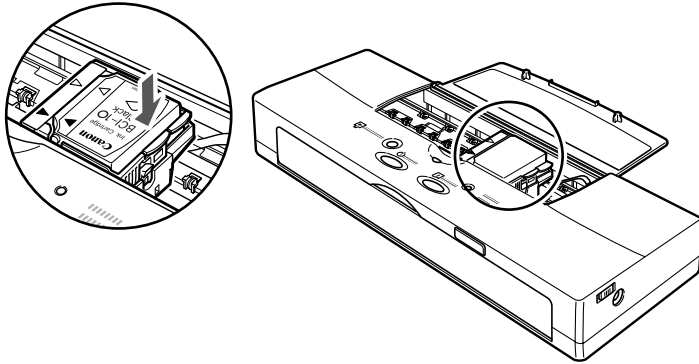


To avoid staining your clothing or articles in your work area, do not drop or shake the BJ Cartridge. The ink in the BJ Cartridge can stain fabric permanently.

- 9.** Insert the BJ Cartridge as shown below. Align the marks on the BJ Cartridge and the cartridge holder (yellow-yellow, black-black).



10. Press down on the high side of the BJ Cartridge until it snaps into the cartridge holder.



11. Close the top cover.
12. Wait about three seconds and press the **CARTRIDGE** button once.

After the BJ Cartridge is installed, the printer requires at least two seconds to detect the presence of the BJ Cartridge. The cartridge holder moves to the home position, and the printer automatically executes print head cleaning. Once print head cleaning is completed, the printer is ready to print.

If print quality problems such as white streaks, missing dots, or irregular dots are found in the initial printout, clean the print head.

(☞ 85)

Chapter 4

Performing Test Prints

In this chapter we will show you how to perform all the test prints with the operation panel. These test prints can also be executed from the Windows printer driver.

Starting the test prints

Follow this general procedure to perform any test print.



To avoid fouling the platen with wet ink, never attempt to perform a test print on paper smaller than A4 or Letter size. You can print on either side of plain paper.

1. Check the table below and select the test you want to print.

Test Print	Number of Beeps	See page
Printer Settings	2	58
Nozzle Check Pattern	4	58

2. Switch off the printer by pressing the **POWER** button and wait for the print head unit to return to the home position.
3. Press and hold down the **POWER** button. Wait for the number of beeps required for the test print you want then release the **POWER** button. After you release the **POWER** button, the test print you selected starts to print.
4. Load the printer with A4 or Letter paper. (☞48)
5. Press the **RESUME** button. The **CHARGE/ERROR** lamp goes off and printing starts.

Samples and descriptions of each test print are provided on the following pages.

In addition to starting the test prints, you can also use the **POWER** button to change the printer default settings.

1. Press the **POWER** button to switch the printer off.
2. Press and hold down the **POWER** button and count the number of beeps. Release the **POWER** button when you hear the number of beeps for the defaults you want to set.

Default	Number of Beeps
LQ mode (USA)	7
LQ mode (Europe/Asia)	9



Note

If you release the **POWER** button for any other number of beeps, the setting could change. In this case, repeat from Step 1.

The following table lists the defaults for each setting.

	USA	Europe/Asia
Print Control Mode	LQ	LQ
Paper Selection	LTR	A4
Print Mode	HQ	HQ
Reduction	1/1	1/1
Auto Power Off	ON	ON
Font	Roman	Roman
Code Page	437	437
Page Length	23 inch	23 inch
Character Set	Italic	Italic
Text Scale	OFF	OFF
Auto Line Feed	CR	CR
Auto Carriage Ret.	—	—
Auto Graphics Mode	—	—
Intl. Chara. Set	USA	USA
Ink low warning	Disable	Disable

HQ: High Quality.

Sample test prints

Printer settings

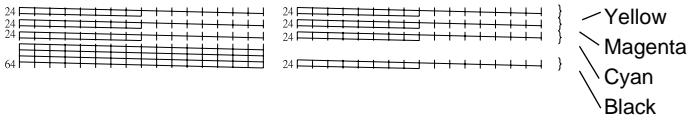
Lists the current settings for the printer.

Status Information Sample

LQ Mode INFORMATION of FUNCTION		Ver 1.00
English		
Paper Selection		LTR
Text Scale Mode		Disabled
Top Margin		8.5mm
Print Mode		HQ
Smoothing		Disabled
Reduction		1/1
Automatic Power Off		Enabled
Font		Roman
Font Lock		Disabled
Input/Download Buffer		25KB/0KB
Automatic Line Feed		CR=CR
International Character Set		USA
Character Set		Italic Set
Code Page		Code Page 437
Low Ink Alert		Disabled

Nozzle Check Pattern

Prints a hatch pattern so you can check the performance of the print head. If the print heads become clogged, the lines will appear broken or not complete. Normally, print head cleaning or print head flushing will correct print head performance. (☞85)



If the printed pattern is different from the nozzle check pattern above, refer to “Printout is not clear or has white streaks”. (☞92)

Chapter 5

Daily Operation and Printer Maintenance

This chapter covers the care and maintenance of your Canon BJC-55 Series printer including instructions for transporting, storing, and cleaning the printer, replacing BJ Cartridges, and cleaning the print head.

Your printer requires little maintenance but to keep it in top operating condition, you should perform the following routine maintenance.

Recharging and replacing the battery pack

This section shows you how to recharge and replace your battery pack.



Note

Install and use only a Canon Li-Ion Battery LB-50 in this printer. You must install the battery pack and leave it installed in the printer even if you intend to use the printer only with the AC adapter. If the battery pack is not installed, the printer CHARGE/ERROR lamp will light orange and the printer will beep six times.

Recharging the battery pack

When the power in the battery pack runs low, the **CHARGE/ERROR** lamp flashes orange and the printer beeps four times. When the power in the battery pack is depleted, the **CHARGE/ERROR** lamp lights orange and the printer beeps twice (one long and one short beep).

Follow this procedure to recharge the battery pack.

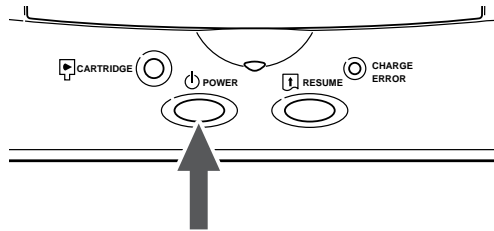


Caution

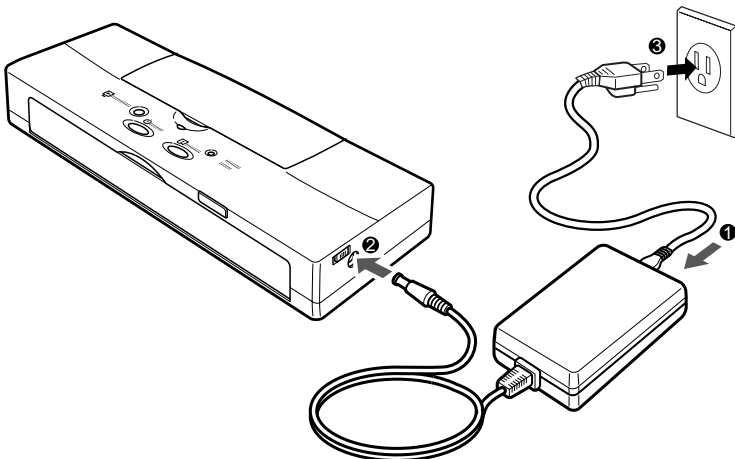
NEVER ATTEMPT TO RECHARGE THE BATTERY PACK WITH ANYTHING OTHER THAN THE UNIVERSAL AC ADAPTER AD-360U SUPPLIED.

For best results, charge the battery pack at room temperature 10°C to 30°C (50°F to 86°F). The battery pack will recharge very slowly at low temperature and will not charge fully at high temperature.

1. Press the **POWER** button to switch the printer off.



2. Connect the power cord to the AC adapter ①, insert the DC plug into the printer ②, and insert the power cord into a power source ③.



The **CHARGE/ERROR** lamp will remain illuminated green until the battery pack is completely recharged.

3. When the **CHARGE/ERROR** lamp goes off, you can disconnect the AC adapter.



Note

- The battery pack requires six hours (maximum) to recharge.
- The battery pack may become warm during a long print job and may not start recharging until it has cooled (max. 30 minutes).

Replacing the battery pack

Follow this procedure to replace the battery pack.

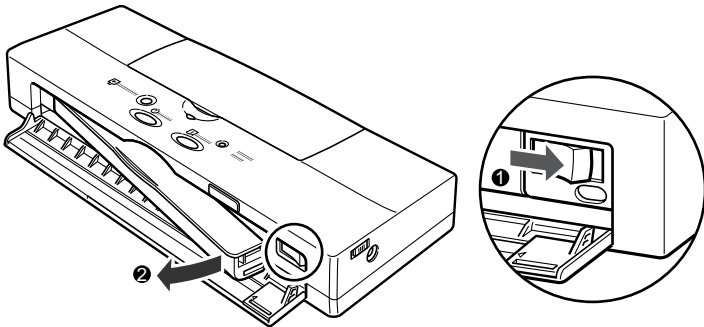
You can replace the battery pack at any time. You may want to purchase and carry extra battery packs for emergencies. However, please remember that new battery packs must be fully charged before you can use them. Before you travel, make sure new battery packs are fully charged.

You must also replace a battery pack after it is exhausted. The **CHARGE/ERROR** lamp will flash and the printer will beep six times when the battery pack becomes exhausted. After the battery pack is exhausted, it cannot be recharged and used again.



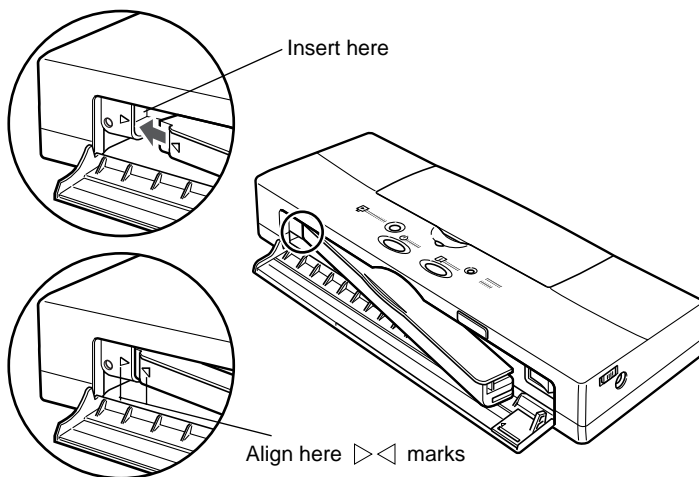
HANDLE THE BATTERY PACK CAREFULLY BY FOLLOWING THE GUIDELINES DESCRIBED ON PAGE 30.

- 1.** Press the **POWER** button to switch the printer off.
- 2.** If the optional Auto sheet feeder is installed on the printer, remove it.
- 3.** If the front cover is closed, open it.
- 4.** Push the battery pack release to the right **1**. The battery pack will spring slightly out of the printer **2**.



- 5.** Remove the battery pack from the printer.

6. Remove the new battery pack from its packaging.
7. Align the mark on the printer (▷) with the mark on the battery pack (◁) and insert the left end of the battery pack into the printer at a slight angle.



8. Push in the right side of the battery pack to lock it in place.
9. Close the front cover.
10. If you have just installed a new battery pack, you must allow it to charge before you can use it. Just leave the AC adapter connected to the printer and the power outlet. The battery pack will charge while the printer is switched off or on. About six hours (maximum) is required for the battery pack to fully charge.



Note

If you have replace an exhausted battery pack, dispose of the battery pack according to the regulations in your country. For details, contact your Canon Authorised Dealer or Canon Representative.

Setting the low-ink warning

How to enable the low-ink warning

This printer is provided with a low-ink warning.

Before the printer is shipped, the low-ink warning is set to off. For details about setting the low-ink warning with the printer driver, see the *Windows Printer Driver Guide* or *Macintosh Printer Driver Guide*.



Note

- The procedure below describes how to switch the low-ink warning on and off with the operation panel. The low-ink warning can also be switched on and off with the printer driver. For details, see the *Windows Printer Driver Guide* or *Macintosh Printer Driver Guide*.
- In the printer driver dialogue box, "Ink Cartridge" is displayed for "Ink Tank".

1. Press the **POWER** button to switch the printer off.
2. Press and hold down the **POWER** button until you hear 8 beeps and then release it. This switches the low-ink warning on.



Note

If you released the **POWER** button at the wrong time, just repeat the procedure from Step 1.

When an low-ink warning is displayed

1. When ink runs low in an ink tank, the printer beeps twice and the **CHARGE/ERROR** lamp flashes.
2. Press the **CARTRIDGE** button on the printer. Observe the flashing **CHARGE/ERROR** lamp to determine which ink tank has run out of ink and requires replacement.

Flash Count	Meaning
Steady flashing	Black ink tank low
2 flash intervals	Colour ink tank low
3 flash intervals	Black and colour ink tanks low.

3. Replace the ink cartridge.

4. Reset the operation count for the low-ink warning
For every ink cartridge replaced, press and hold down the **RESET** button for the required number of beeps.

- BCI-11 Black, BCI-10 Black or BCI-12 Photo Black replaced? 1beep
- BCI-11 Color or BCI-12 Photo Color replaced? 2beeps
- Both BCI-11 Black/BCI-11 Color, or both BCI-12 Photo Black/BCI-12 Photo Color replaced? 3beeps
- Cancel immediately previous operation and try again? 4beeps



Caution

- When the low-ink warning is switched on, you must execute the procedure above. If you fail to execute this procedure, the low-ink warning will not be reset and the CHARGE/ERROR lamp will not extinguish.
- If you use the printer driver to replace the ink cartridge, this procedure is not required. Follow the procedures described in the *Windows Printer Driver Guide* or the *Macintosh Printer Driver Guide*. The low-ink warning will be reset automatically by pressing the CARTRIDGE button at the last step of the replacement procedure.

5. Press the **CARTRIDGE** button again to return the printer to the home position.

Switching off the low-ink warning

- 1.** Press the **POWER** button to switch the printer off.
- 2.** Press and hold down the **POWER** button until you hear 7 beeps then release it. This switches the low-ink warning off.



Note

If you released the **POWER** button at the wrong time, just repeat the procedure from Step 1.

Replacing ink cartridges

In this section we show you how to handle and replace the ink cartridges.

Handling ink cartridges

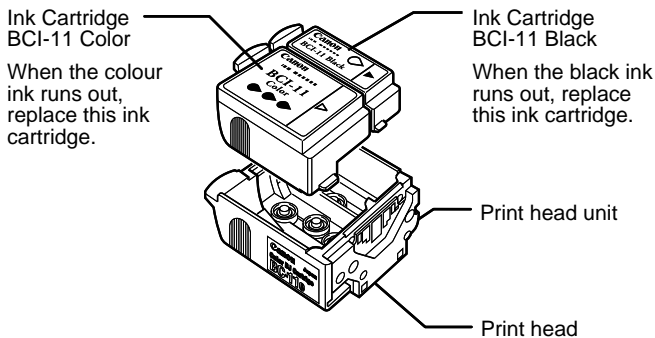
BJ Cartridges and ink cartridges should be used within six months of purchase to ensure optimum printing. To avoid leaking or drying, follow these simple precautions:

- Never attempt to disassemble an ink cartridge.
- Never shake an ink cartridge.
- Never unpack an ink cartridge until you are ready to install it.
- Do not remove ink cartridges from the BJ Cartridge unnecessarily.
- To prevent drying out the print head, never use the print head unit with an ink cartridge missing.
- Always install an ink cartridge as soon as you remove the protective cap.
- Keep unused ink cartridges out of the reach of children, and discard used ink cartridges immediately. If spilled, the ink is difficult to clean.

Examining the ink cartridges

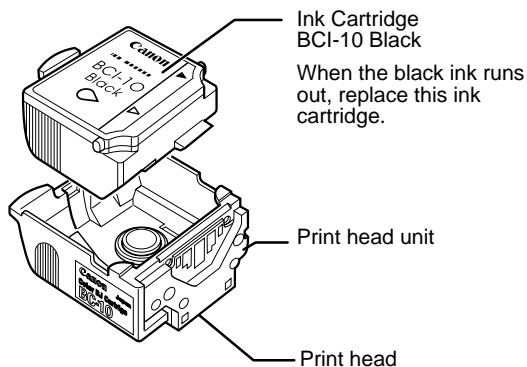
The Color BJ Cartridge BC-11e/BJ Cartridge BC-12e Photo employs the Ink Cartridge BCI-11 Color/BCI-12 Color and the Ink Cartridge BCI-11 Black/BCI-12 Black.

(Illustration below shows the Color BJ Cartridge BC-11e.)



Color BJ Cartridge BC-11e

The Black BJ Cartridge BC-10 employs only one ink cartridge.



Black BJ Cartridge BC-10

Replacing an ink cartridge

Replace an ink cartridge when it runs out of ink. The frequency of changing the ink cartridges will vary according to how the printer is used. If you frequently print images of heavy density, you will need to change the ink cartridges more often. For details about cartridge capacity, refer to the Printer Specifications at the end of this user's manual. (☞ 160)



Note

- To ensure the best performance of the ink cartridges, you should install ink cartridges within one year of the purchase date and use them within six months after they are installed in the BJ Cartridge.
- When the low-ink warning is switched on, follow the procedure to replace the ink tank and reset the low-ink warning detection counter. (☞ 64) After replacing the ink cartridge, press the CARTRIDGE button to return the cartridge holder to the home position.

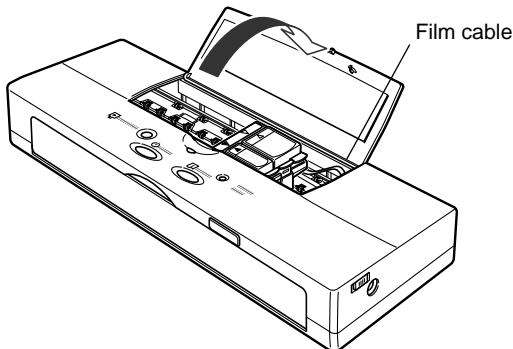
- 1.** Check the **POWER** lamp and make sure that it is switched on. If the printer is off, switch it on.
- 2.** Press the **CARTRIDGE** button. The cartridge holder moves to the centre and the **POWER** lamp starts flashing.



Note

If the print head is overheated, it may not move to the centre immediately. Wait a few minutes for the print head to cool down. Never attempt to move the cartridge manually by pushing it or pulling on the film cable.

- 3.** Open the top cover.





Note

When the top cover is open, never touch the orange film cable inside the printer.

4. Release the hook on the ink cartridge and raise it up as shown in the illustration below.

Dispose of the ink cartridge immediately.



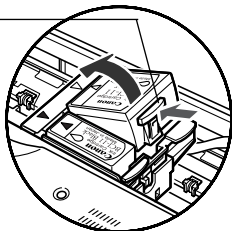
Note

You may want to place it in a plastic bag to keep from spilling any ink.

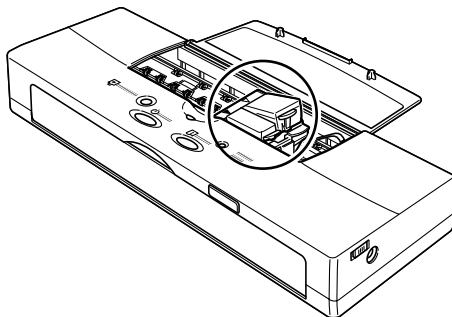
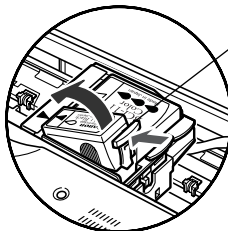
Ink Cartridges BCI-11 Color and Black/BCI-12 Photo Color and Photo Black

(Illustration below shows the Color BJ Cartridge BC-11e.)

Press this white hook to remove the colour ink cartridge.

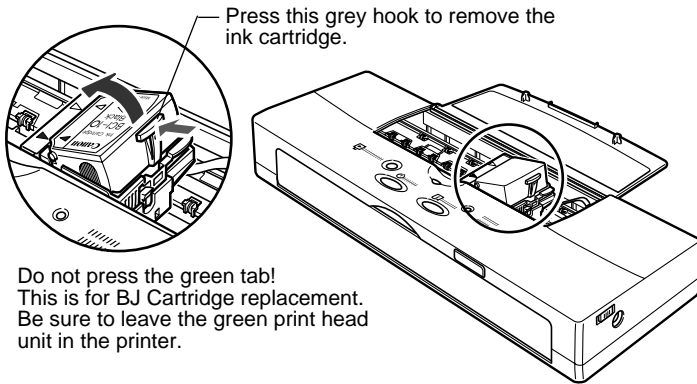


Press this grey hook to remove the black ink cartridge.



Do not raise the green tab!
This is for BJ Cartridge replacement. Be sure to leave the green print head unit in the printer.

Ink Cartridge BCI-10 Black



Do not press the green tab!
This is for BJ Cartridge replacement.
Be sure to leave the green print head
unit in the printer.



Caution

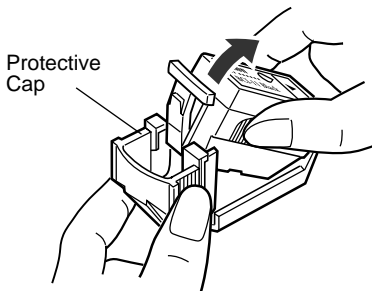
DO NOT TOUCH THE INTERIOR OF THE CARTRIDGE HOLDER, THE BASE OF THE PRINT HEAD UNIT, THE PRINT HEAD, THE FILM CABLE, OR THE INK CARTRIDGE FILTERS WHEN CHANGING THE INK CARTRIDGE.



Note

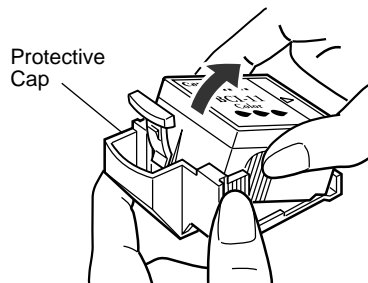
When replacing an ink cartridge, remove only the empty ink cartridge and leave the print head unit in the cartridge holder to avoid soiling your hands.

5. Remove the orange protective cap from the new ink cartridge.



Protective
Cap

Ink Cartridge BCI-11
Black/BCI-12 Photo
Black



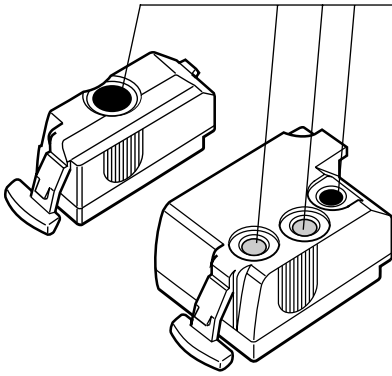
Protective
Cap

Ink Cartridge BCI-11
Color/BCI-12 Photo
Color

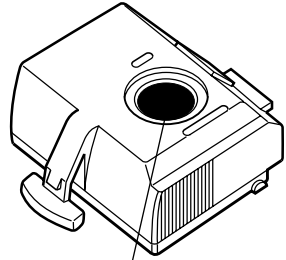


Note

Do not touch or insert anything into the filter on the ink cartridge.



Do not touch or insert anything into these filters.



Do not touch or insert anything into this filter.

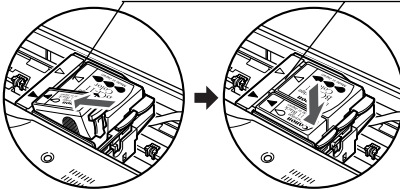


Caution

TO AVOID DROPPING AN INK CARTRIDGE AND SPILLING INK ON YOUR HANDS, CLOTHING, OR AROUND THE WORK AREA, ALWAYS HANDLE INK CARTRIDGES WITH CARE. INK STAINS CANNOT BE REMOVED FROM FABRIC.

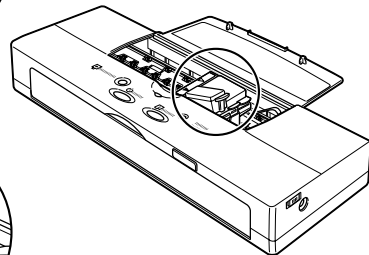
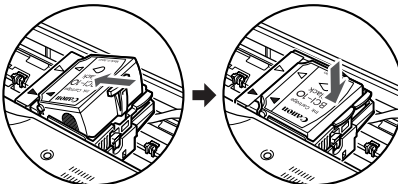
- 6. Position the new ink cartridge so that its filter is on the bottom, and insert it as shown in the illustration below.

BCI-11/BCI-12

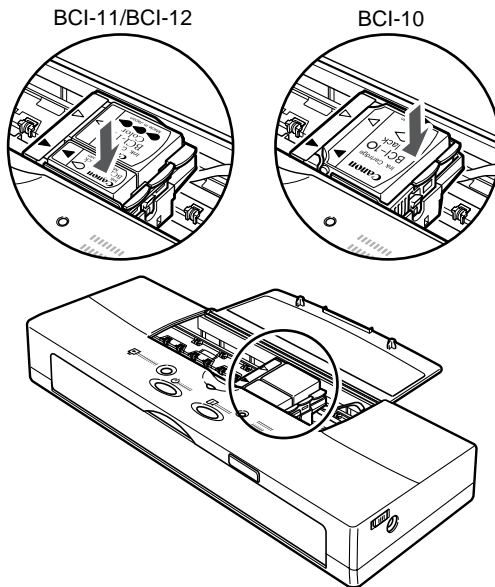


Insert the ink cartridge to align the marks (▷◁).

BCI-10



7. Press down gently on the high side of the ink cartridge until the ink cartridge clicks into the print head unit.



8. Close the top cover.
9. Press the **CARTRIDGE** button. The cartridge holder moves to the home position and the printer starts cleaning the print head.

Replacing BJ Cartridges

Follow this procedure to replace or exchange a BJ Cartridge.

Before you replace a worn BJ Cartridge...

When a print head becomes worn out, the printing is no longer crisp and clear, gaps may appear in characters, and lines may appear broken or not complete. However, these and similar problems can also be caused by a clogged print head.



Note

Before you decide to replace the BJ Cartridge, always clean the print head to confirm that the problem is not a clogged print head.

1. Print a Nozzle Check Pattern. (☞56)
2. If the quality of the pattern is poor, clean the print head four or five times. (☞85)
3. Print another Nozzle Check Pattern. If the pattern is still poor, flush the print head twice. (☞85)
4. If print head flushing fails to correct the problem, follow the procedure below to replace the BJ Cartridge.

Replacing a BJ Cartridge

Follow this procedure to replace the BJ Cartridge.



Note

The Black BJ Cartridge BC-10, Color BJ Cartridge BC-11e and BJ Cartridge BC-12e Photo were designed specially for this printer. Never attempt to use any other type of cartridge with this printer.

1. Check the printer **POWER** lamp and make sure that it is switched on. If the printer is off, press the **POWER** button to switch it on.
2. Press the **CARTRIDGE** button. The cartridge holder moves to the centre and the **POWER** lamp flashes.



Note

- You can use the printer driver screen to replace or switch the BJ Cartridge. For details, see the *Windows Printer Driver Guide* or the *Macintosh Printer Drive Guide*.
If the low-ink warning is switched on, the replacement procedure is different. (☞68)
- If the print head is overheated, it may not move to the centre immediately. Wait a few minutes for the print head to cool down. Never attempt to move the cartridge manually by pushing it or pulling on the film cable.

3. Remove the BJ Cartridge and install a new BJ Cartridge. Follow the same procedure used to replace a Color BJ Cartridge BC-11e with a Black BJ Cartridge BC-10. (☞51)

Dispose of the old BJ Cartridge immediately.



Note

You may want to place it in a plastic bag to prevent spillage from the print head.

4. Press the **CARTRIDGE** button.

The cartridge holder moves to the home position and the printer starts cleaning the print head. After print head cleaning is completed, the printer is ready for operation.

Installing the optional Color Image Scanner Cartridge IS-12

The printer can be converted to a colour image scanner by installing the optional Color Image Scanner Cartridge IS-12. This section describes how to install the scanner software and, install and remove the Scanner Cartridge. For details about operating the printer as a scanner, see the *IS-12 Reference Guide* on the Setup Software & Reference Guide CD-ROM. Follow the appropriate procedure below to open the Reference Guide.

Windows

Set the Setup Software & Reference Guide CD-ROM in the CD-ROM drive. Wait for the installer to start automatically, and then click Reference Guide. At the next screen, click Scanner Reference Guide to open the *IS-12 Reference Guide* on the screen.

Macintosh

Set the Setup Software & Reference Guide CD-ROM in the CD-ROM drive. Wait for the CD-ROM folder to open automatically, and then double-click Manual folder. Next, double-click the folder of your language, and then click IS12x_mac (“x” differs depending on the language you selected) to open the *IS-12 Reference Guide* on the screen.

Installing the software for the Scanner Cartridge

Follow this procedure to install the software for the optional Scanner Cartridge.

This procedure assumes that you have already installed the printer driver.



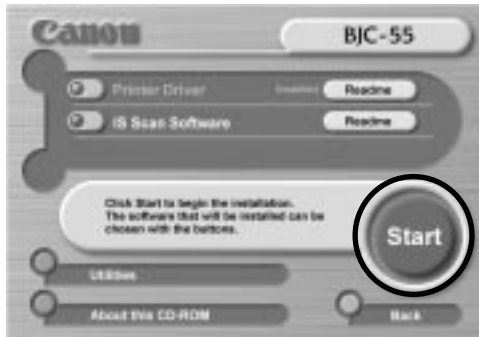
Install the scanner driver from the Setup Software & Reference Guide CD-ROM provided with the printer. To avoid operational problems, do not install the scanner driver provided with the Scanner Cartridge.

For Windows:

- 1.** Set the Setup Software & Reference Guide CD-ROM in your CD-ROM drive.
- 2.** Click the Install Software button.
- 3.** Click the IS Scan Software button. The button colour changes to red.



- 4.** Click the Start button.



5. Make sure that Normal installation is selected and click the Next button.



Note

Normal installation installs both IS Scan Plus and IS Scan. IS Scan Plus can be run as an independent program, but IS Scan can be used only with a Twain-compliant software application.

Select Install TWAIN driver only when you want to use the scanner software with a Twain-compliant software application.

6. Confirm Destination Location and click the Next button.



The installation of the scanner software begins.
Follow the instructions displayed to complete the installation.

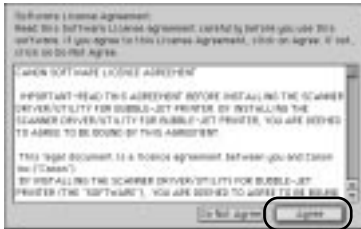
For Macintosh:



Note

If you have used Mac OS 9 to set up a Multiple User scheme with Limited accounts and Panels accounts, the installation method is different. For more details about installation, open the Scanner Driver folder on the Setup Software & Reference Guide CD-ROM, and then double-click the Readme file.

1. Set the Setup Software & Reference Guide CD-ROM in your CD-ROM drive.
2. Double-click the IS Scan folder.
3. Double-click the folder of your language.
4. Double-click the Installer icon.
5. Read the License Agreement, and then click the Agree button if you accept the terms of the agreement.



6. Confirm the Destination and click the Install button.



The installation for the scanner software begins.
Follow the instructions displayed to complete the installation.

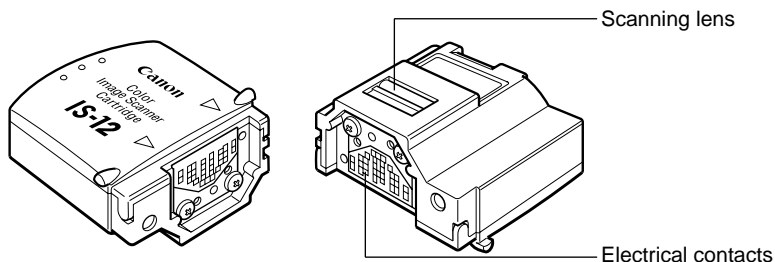


Note

-
- Copy Utility, another software application which can be used with the Scanner Cartridge to copy originals, is provided in the Copy Utility folder on the Setup Software & Reference Guide CD-ROM. To install Copy Utility, open the Copy Utility folder then drag and drop the Copy Utility icon for your language on the hard disk.
-

Installing and removing the Scanner Cartridge

This section describes how to install and remove the Scanner Cartridge.



Note

The Scanner Cartridge is delicate and precision-built so always handle it carefully. Never touch the parts of the Scanner Cartridge indicated in the illustration.



Caution

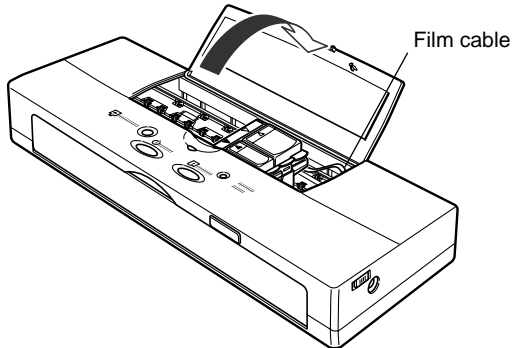
NEVER SWITCH THE SCANNER CARTRIDGE AND BJ CARTRIDGE DURING A SCANNING OR PRINTING JOB.

Installing the Scanner Cartridge

Follow this procedure to install the Scanner Cartridge.

- 1.** Check the printer **POWER** lamp and make sure that it is on. If the lamp is off, press the **POWER** button to switch the printer on.
- 2.** Press the **CARTRIDGE** button. The cartridge holder moves to the centre.

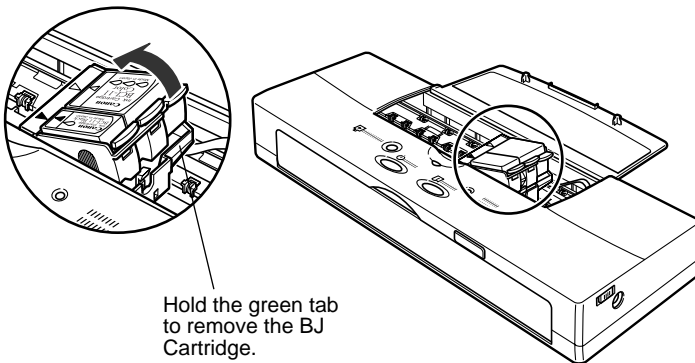
3. Open the top cover.



Note

When the top cover is open, never touch the orange film cable inside the printer.

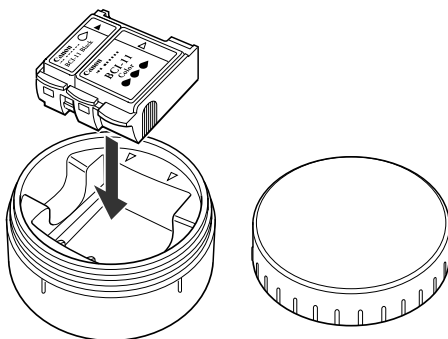
4. With the tip of your finger, lift up the green tab on the corner of the BJ Cartridge then raise the cartridge out of the cartridge holder.



Note

Make sure that you remove the whole BJ Cartridge, not just the ink cartridges.

5. Store the BJ Cartridge in a BJ Cartridge Container SB-10.



To prevent the print head from drying out, close the lid on the container tightly. If the print head dries out, it will no longer be able to print.

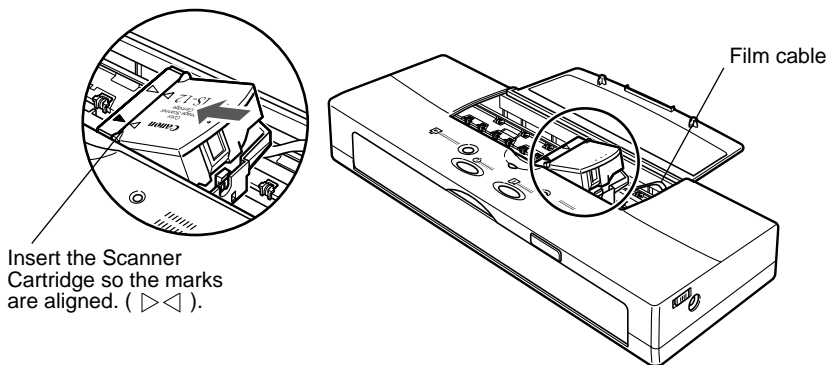
6. Remove the Scanner Cartridge from its protective case.



Note

Save the case! You will need it to store the Scanner Cartridge when it is not installed on the printer.

7. With its label facing up, place the Scanner Cartridge in the cartridge holder at a slight angle.



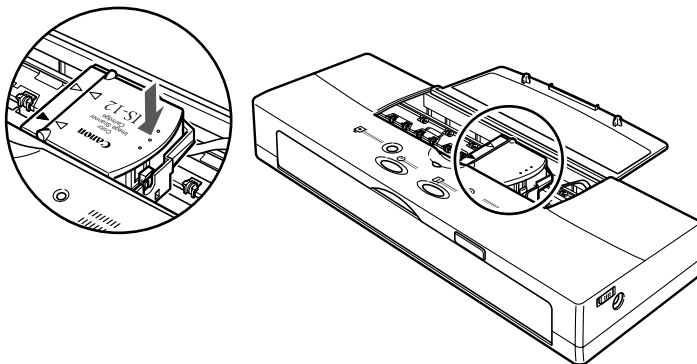
Insert the Scanner Cartridge so the marks are aligned. (▷◁).



Note

When the top cover is open, never touch the orange film cable inside the printer.

8. Press down gently on the high side of the Scanner Cartridge until it snaps in place.



9. Close the top cover.
10. Press the **CARTRIDGE** button.

After the Scanner Cartridge is installed, the printer requires at least two seconds to detect the presence of the Scanner Cartridge, then the Scanner Cartridge moves to the home position.

Removing the Scanner Cartridge

Remove the Scanner Cartridge as soon as you are finished scanning and replace it with a BJ Cartridge.

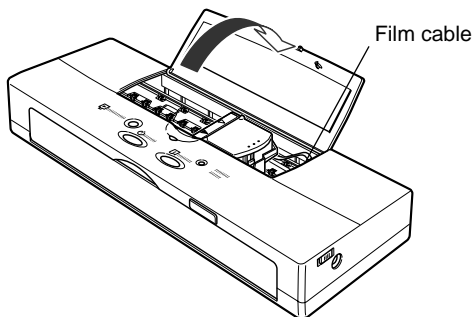


Note

To avoid problems with printer and Scanner Cartridge operation, never leave the Scanner Cartridge in the printer longer than necessary.

1. Check the printer **POWER** lamp and make sure that it is on. If the lamp is off, press the **POWER** button to switch the printer on.
2. Press the **CARTRIDGE** button. The cartridge holder moves to the centre.

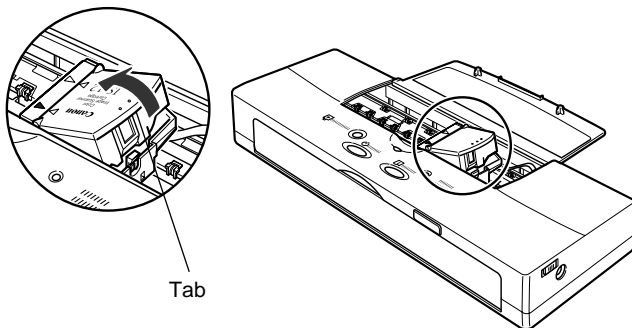
3. Open the top cover.



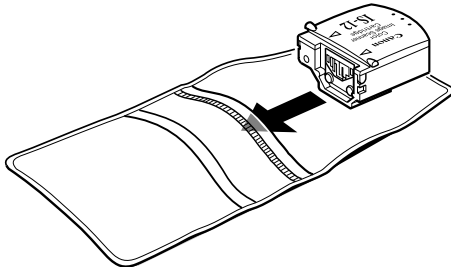
Note

When the top cover is open, never touch the orange film cable inside the printer.

4. With the tip of your finger, lift up the tab on the Scanner Cartridge then raise it out of the cartridge holder.



5. Store the Scanner Cartridge in its protective case.



6. Remove the BJ Cartridge from the BJ Cartridge Container.

7. Insert the BJ Cartridge into the cartridge holder diagonally so the points of the small triangle marks align (yellow-yellow, black-black).
8. Press down gently on the BJ Cartridge until it clicks into place.
9. Close the top cover.
10. Press the **CARTRIDGE** button.

Cleaning the printer

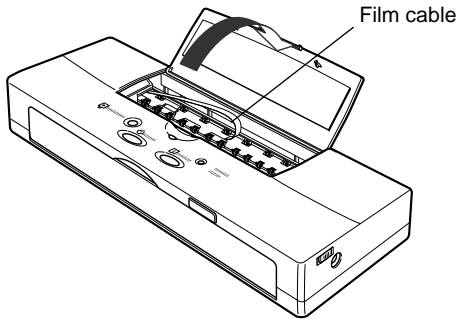
Before you start cleaning

You should clean the printer regularly to avoid printing problems. Follow these simple guidelines when you clean the printer:

- Before you clean the printer, press the **POWER** button to switch the power off, unplug the AC adapter from the power source, and remove the battery pack from the printer. (☞62)
- Use only a soft cloth to clean the printer. Do not use paper towels or tissues.
- Do not clean the grease from the cartridge rail.
- To avoid damaging the surface of the printer, do not clean the printer body with volatile liquids such as thinners, benzene, or any chemical or spray cleaners.
- When cleaning the printer, avoid the area near the print head on the BJ Cartridge. Do not touch the print head, film cable and other delicate parts.
- Never submerge the printer in water.

Cleaning inside and outside the printer

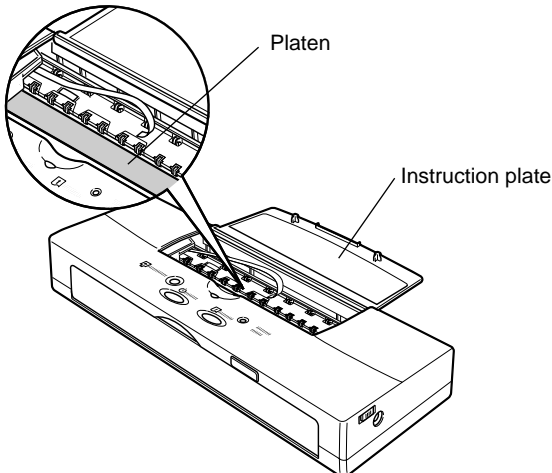
1. Open the top cover.



When the top cover is open, never touch the orange film cable inside the printer.

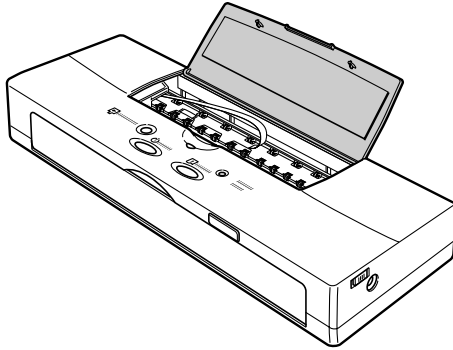
2. Clean the platen.

The platen, which holds the paper in position during ink transfer, may be soiled after a paper jam or other paper feed problems. When the platen is soiled with ink, the back or edge of the printed sheet may be smudged. Use a soft, dry cloth to wipe the platen clean.



WHILE YOU ARE CLEANING THE INSIDE OF THE PRINTER, DO NOT BEND THE INSTRUCTION PLATE.

3. Clean the underside of the top cover. Ink residues may collect in this area.



Cleaning the print head

You should start print head cleaning when your print quality is poor. There are two methods of print head cleaning:

- **Cleaning:** Requires about 30 seconds and can improve print quality.
- **Flushing:** Requires about 60 seconds and corrects severe nozzle clogging. Because Flushing consumes a lot of ink, execute flushing only when the print quality does not improve after repeated cleaning.



Note

You can start cleaning or flushing the print head with the printer driver or the operation panel. For details about starting cleaning or flushing with the Windows printer driver, refer to the *Windows Printer Driver Guide* or *Macintosh Printer Driver Guide*.

To start cleaning/flushing from the operation panel:

1. Press and hold down the **RESUME** button.

To start print head cleaning, hold down the **RESUME** button until you hear two beeps then release it. Cleaning requires about 30 seconds.

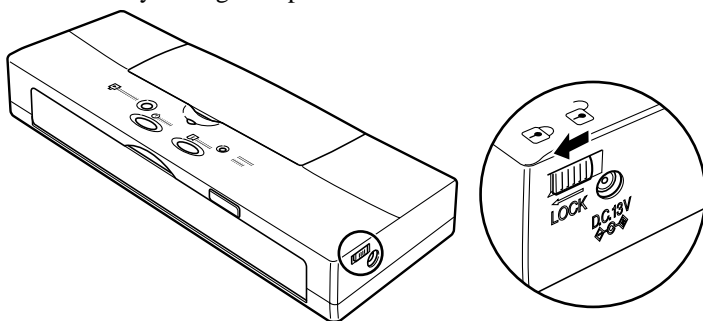
To start print head flushing, hold down the **RESUME** button until you hear three beeps then release it. Flushing requires about 60 seconds.

2. To check the performance of the print head, print a Nozzle Check Pattern. (☞56)

Preparing the printer for travel or storage

Follow the procedure below before you transport or store the printer.

1. Press the **POWER** button to switch off the power. This secures the cartridge holder in the home position.
2. On the right side of the printer, slide the power lock switch to the left position. This locks the printer off so it cannot be switched on accidentally during transportation.



Note

The next time you use the printer, make sure that you slide the power lock switch to the right position before you press the POWER button to switch the printer on.

3. If the optional Auto sheet feeder is attached, remove it.
4. If the AC adapter and USB interface cable are connected, disconnect them from the printer and the power outlet.
5. Make sure that the top cover is closed.

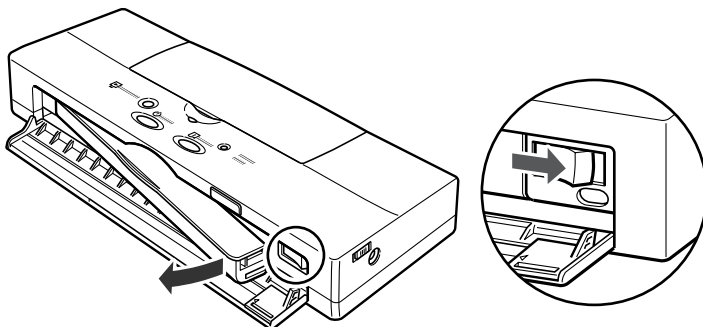
- 6.** If you are going to store the printer for a prolonged period (three months or more), remove the battery pack.



Note

You do not have to remove the battery pack to transport the printer. Remove the battery pack only if you are going to store the printer for a prolonged period (three months or more).

- Open the front cover.
- Push the battery pack release to the right. The battery pack will spring slightly out of the printer.



- Remove the battery pack and close the front cover.

- 7.** Replace the printer and accessories in the original packing materials for storage, or place them in a suitable carrying case for transport.
- It is not necessary to remove the BJ Cartridge and ink cartridges from the printer for transport.
 - When travelling on an aeroplane, always pack the printer with your hand luggage items to minimise shocks and vibrations to the printer.
 - Avoid leaving the printer in a closed automobile where it may be exposed to extremes of temperature or humidity.



Note

The printer can safely be sent through airport security X-ray machines.

Troubleshooting

How to use this Section

This troubleshooting section describes problems and solutions for many common problems you may experience. Work through this section as described below.

An error message is shown on the screen

If there is an error message shown on the screen regarding to the printer, refer to “Error messages”. (☞91)

Identify the problem

Identify the problem by referring to “Quick reference list of possible problems” for a detailed description of the problem and suggestions for solving the problem. (☞90)

If the problem cannot be identified

The problems that you encounter may not be solely due to the printer. Problems may occur with the basic software, the application software or the computer (lack of memory, hard disk problems, etc.) that you are using. Refer to your software application or computer hardware manuals for troubleshooting instructions.

The problem still cannot be resolved

For faster assistance, there are a few items that we recommend you confirm Before you call for service. (☞145)



Note

-
- If you forget a procedure, or if you do not know the purpose of an option in the printer driver, use the printer driver on-line Help. For details refer to the *Windows Printer Driver Guide* or *Macintosh Printer Driver Guide*.
 - If you are using Windows, click the question mark (?) in the upper right corner of the dialog box. After the pointer changes to the shape of a question mark, click the option in the dialog box to open a flyout with a description of the selected option. You can also click the Help button provided in the dialog box to open on-line Help.
 - If you are using Macintosh, from the Help menu select Show Balloons then point and click on the screen option to open a flyout with a description of the selected option.
 - These troubleshooting descriptions are for Windows 98, Windows 95, Mac OS 8.5, and Mac OS 9 (If you are using an iMac, you must use Mac OS 8.1 or later).
 - In explanations where Windows 98 and Windows 95 are different, a Windows 98 screen shot is provided.
-

Quick reference list of possible problems

Problem	See Page
Printout is not clear or has white streaks	92
Strange characters printing	94
Cannot start the print job	96
USBPRNxx: write error appears on the screen	100
Cannot install the printer driver	102
Application Error or General Protection Fault appears on the screen	104
Cannot print to the end of the print job	105
Cannot feed manually	107
Printout rotated 90 degrees	109
Vertical lines are broken	111
BJ Cartridge does not return to the home position after installation	114
Cannot print via wireless infra-red connections	115
Paper skews or jams during feeding	118
Screen colours and the printed colour do not match	120
Document prints in only black and white	122
Colours are broken or uneven	124
Printing beyond edge of a page, or portions of printed page are missing	126
Printer does not switch on	128
Printer does not switch off	129
Printer seems to be working but nothing prints	130
Print job halts	131
Printing blurred or smudged	133
Printout is excessively curled	134
Battery is not charging	135
CHARGE/ERROR lamp lights or flashes orange	136
“Error Number: *300” appears on the screen and print job does not execute	140
“Type x Error” appears on the screen	141
Cannot execute background printing	143
Cannot select the printer in the Chooser	144



Note

- If you are using the Color Image Scanner Cartridge IS-12 (optional), refer to the Troubleshooting section of the *IS-12 Reference Guide* provided on the Setup Software & Reference Guide CD-ROM for specific instructions.
- If you have switched on the low-ink warning feature, then the CHARGE/ ERROR lamp will flash when the ink is low. This is not an error. (→64)

Error messages

Here is a list of messages that may appear when an error occurs. Refer to the appropriate section for a possible solution to the problem.

Problem	See Page
Error writing to USBPRNxx: for Printer BJC-55	100
Service error xxx! Call for service!	137
This program has attempted and illegal operation and will shut down.	104
File cannot be found on the specified path or disk.	102
Cannot execute print due to insufficient disk space.	105
Waste ink cartridge is full! Call for service!	137
Cannot execute print due to insufficient memory.	104
Cannot execute background printing due to insufficient memory.	105
Paper jam!	118
Error No. * 300 (* alphanumeric code)	140
Type x Error (x integer)	141

Problems and Solutions

Windows Macintosh Other

Printout is not clear or has white streaks

Low ink could cause faded characters and white lines to appear on the printout.

Windows Macintosh Other

Try printing a nozzle check pattern

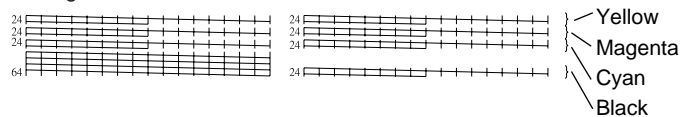
Check the status of the BJ Cartridge by printing the nozzle check pattern. (☞56)

Look at the nozzle check pattern to confirm the print quality. Compare with the Color BJ Cartridge BC-11e and Color BJ Cartridge BC-12e Photo nozzle check pattern samples. (☞58)

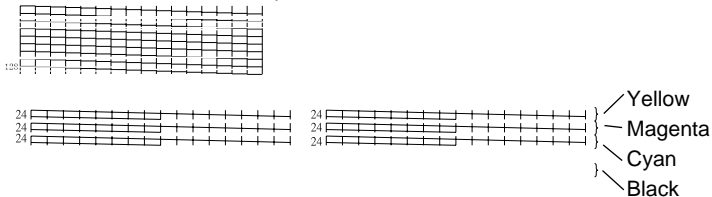
A normal nozzle check pattern printed with a Black BJ Cartridge BC-10



A normal nozzle check pattern printed with a Color BJ Cartridge BC-11e/Color BJ Cartridge BC-12e Photo



Faded, broken nozzle check pattern



Only specific colours are faded

The specific colour ink may have ran out. Replace the ink cartridge with a new one. Then print a nozzle check pattern to see if the printing quality has been restored. (☞56)

The nozzle check patterns are faded regardless of colour

The print head may be clogged. Clean the print head. After print head cleaning, print the nozzle check pattern to see if the printing quality has been restored. If the problem persists, alternately clean the print heads and print nozzle check patterns 2 or 3 more times. (☞56)

If print quality is not restored after cleaning

Perform print head deep cleaning to flush the nozzles. Print a nozzle check pattern to see if the printing quality has been restored. Repeat deep cleaning if the problem still persists. (☞85)

If print quality is not restored after deep cleaning

The ink may have run out. Replace the ink cartridge and print the nozzle check pattern to see if the printing quality has been restored. (☞66)

If print quality is not restored after replacing the ink cartridge(s)

Replace the BJ Cartridge. (☞72) The print head may be worn out or the ink have dried and ruined the nozzles. After replacing the BJ Cartridge, print a nozzle check pattern to see if the printing quality has been restored.



Note

If the printer will not be used for an extended amount of time, leave the BJ Cartridge installed inside the printer or remove it and keep it in the box to avoid damage.

Windows **Macintosh** **Other**

Check to see if the orange protective cap or tape has been re-attached to the print head

Reattaching the orange cap or the tape could cause dust and small particles to enter through the print head which may cause the ink to clog. Once removed, the orange cap and the tape should never be re-attached to the print head to avoid damage. If you have mistakenly done so, install the BJ Cartridge and execute print head cleaning. (☞51) Use only the BJ Cartridge Container to store a BJ Cartridge when it is not installed in the printer.

Windows **Macintosh** **Other**

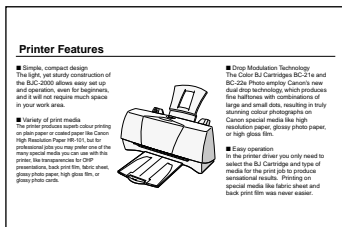
Make sure that you are printing on the correct print side

The paper that you are using to print may have only one correct print side. Plain paper, Bubble Jet Paper, or Transparencies can be printed on either side. However, special print media like High Resolution Paper, Glossy Photo Paper, High Gloss Film, etc. have only one correct print side. (☞49)

Strange characters printing

The text or the image on the screen appears normal but the printer prints strange unreadable characters.

Normal



Abnormal – Strange characters



Windows

Check to see if BJC-55 Series printer is selected as default printer

Select Canon BJC-55 Series as default printer.

Selecting the BJC-55 as the default printer

Windows

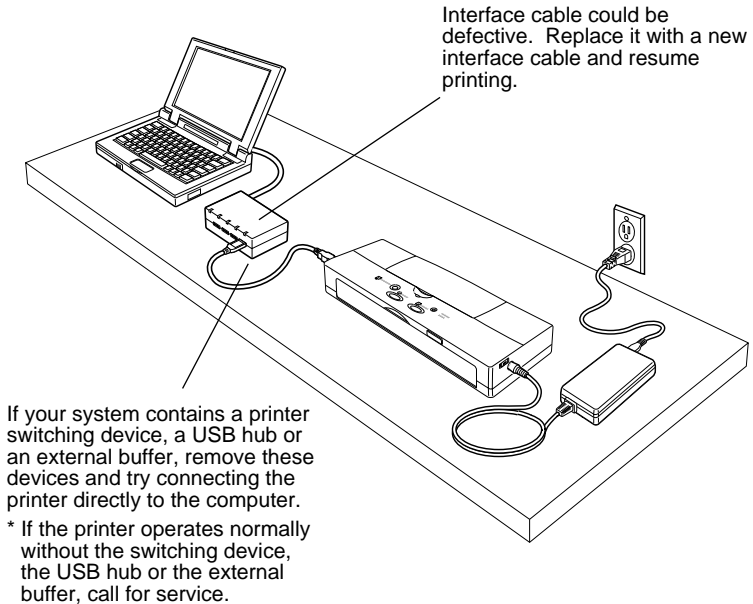
1. Click Start, point to Settings, and click Printers.
2. Right-click the Canon BJC-55 and then click Set as Default to check this selection on.



Macintosh

1. From the Apple menu, select Chooser.
2. In the Chooser, click the BJC-55 icon, then click the Close box.

Check interface cable connections at the printer and computer



Check to see if a print job has been canceled before completion

If you cancel print job during printing, the data remaining in the printer may cause the printer to produce strange characters. In this situation, restart the computer and the printer and start the print job again. If you are using Windows, click the Start button, point to Programs, click BJ Printer, then click BJ Printer Monitor and cancel the print job.

Determine if the problem exists only within a particular document

If the printer prints strange characters only when printing a specific document, then it is likely that the file or the function used by the document is causing the problem. To correct this error, try creating the same document in a newly created file and then print the new document. If this new file prints normally, then the problem exists within the file. If the problem persists, with the new file, then call for service. (☎ 145)

Windows **Macintosh** **Other**

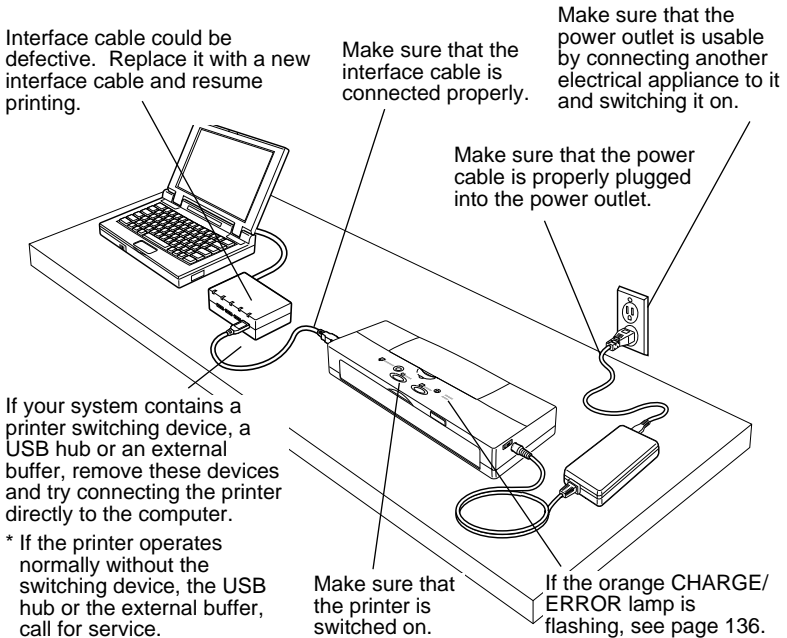
Cannot start the print job

The printer does not respond when the print job is executed from the computer.

Windows **Macintosh** **Other**

Check the printer status and its cable connections

Make sure the printer is ready for printing and that the cable is connected correctly.



Windows

Check to see if Canon BJC-55 Series printer has been selected as the default printer

Select Canon BJC-55 Series as default printer.

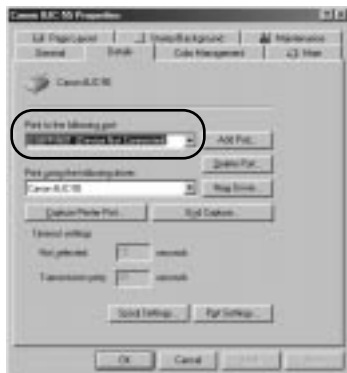
Windows

Check to see if the printer port setting is correct

If the printer and the computer are connected to the USB interface, USBPRNxx: must be selected as the printer port.

Selecting USBPRNxx: as the printer port

1. Click Start, point to Settings, and click Printers.
2. Right-click Canon BJC-55 and then click Properties.
3. Click the Details tab.
4. Go to Print to the following port and then select USBPRNxx: (Printer Port).



If the problem persists make sure the printer port (USBPRNxx) is operating normally.

Checking operation status of USBPRNxx

1. Click Start, point to Settings and click Control Panel.
2. Double-click the System icon.
3. Click the Device Manager tab.
4. Double-click Ports (Universal Serial Bus Controller) and double-click Canon BJC-55.
5. Click the General tab.

Under Device Status, read the information regarding printer port status. If the message tells you that the device is not performing normally, remove the BJC-55 device, and then execute the installation again.

Check to make sure that the printer has been selected with the Chooser

Make sure that BJC-55 Series is selected at the Chooser. Also make sure that the correct printer port is selected.

Selecting the printer with the Chooser

1. From the Apple menu, select Chooser.
2. Click the BJC-55 icon.



3. Click the Close Box.

Check to see if you are printing a large text or large image

A large amount of data could slow down the print job because the computer must spend more time to process data and send it to the printer. This is common when printing a very large photographic image or a large amount of text. The computer processing speed, which is affected by the system (CPU, memory, space available on the hard disk, cache, interface, etc.) also affect the amount of time required to process a print job. Refer to your computer manual for details.

Check operation of the BJ Cartridge by printing a nozzle check pattern

Use the printer operation panel to print a nozzle check pattern. (☞56)

If the nozzle check pattern does not print ...

The printer could be damaged. Call for service. (☞145)

If the nozzle check pattern prints normally ...

There could be a problem in the software application, or the interface cable could be damaged or not plugged in correctly.

Cannot print via the infrared port

If the print job does not start when using the infrared port, check the location of the printer in relation to the computer or PDA. Change the location of the printer so the infrared ports are facing on another at the correct distance and angle.

The distance and the angle between the infrared ports could differ with computer model, the PDA capability and the surrounding environment. Keep the distance within 80 cm and remove any object blocking the path between the infrared ports. Print data cannot be sent or received if an object blocks the path between the infrared ports. Start the print job again.

If you see COMn Write Error or a similar message on the screen, switch the printer off, switch it on again, then start the print job again. The correct COM port must be selected for the computer or PDA. (☞33)

Windows

USBPRNxx: write error appears on the screen

If an error occurs when the print job is sent to USB port USBPRNxx: you will see a message like the one below.



Windows

Check the interface cable connections

Check the interface cable connections at both the computer and the printer. (☞96)

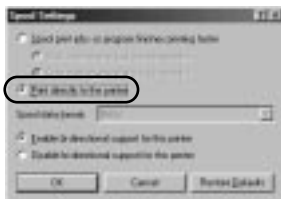
Windows

Check the printer spooling setting

The printer spooling might not be operating properly. Discontinue printer spooling and try printing again by sending the print data directly to the printer.

Switching off print spooling

1. Click Start, point to Settings, and click Printers.
2. Right-click Canon BJC-55 and select Properties.
3. Click the Details tab.
4. Click the Spool Settings button.
5. Click the button on for “Print directly to the printer” (this switches off spooling).



Make sure the printer port (USBPRNxx) is operating properly

Check the operation status of the printer port. (☞96)

Check to see if the printer driver is installed properly

It is possible that the printer driver may not be installed properly. In this situation, uninstall the printer driver and reinstall from the beginning.

Re-installing the Printer Driver

- 1.** Click the Start button, point to Programs, click BJ Printer, then click Uninstall.



- 2.** In the Uninstall dialog box, click the Yes button.
- 3.** Click the OK button to uninstall the printer driver.
- 4.** Reinstall the printer driver. For details, refer to *Getting Started*.

Windows **Macintosh**

Cannot install the printer driver

If the printer driver installation was interrupted and could not continue, some possible causes and solutions are listed below.

Windows **Macintosh**

Make sure that you followed the installation procedure correctly

Follow the instructions in *Getting Started* to install the printer driver. Make sure you select the correct method, based on the operating system you are using Windows 98/Windows 95/Windows 2000 or Macintosh (with standard USB interface support) and the type of cable that you are using to connect the printer and computer.

Windows **Macintosh**

Check the Setup Software & Reference Guide CD-ROM

The Setup Software & Reference Guide CD-ROM could be damaged. Run the CD-ROM to see if it reads correctly.

Windows **Macintosh**

Make sure no other applications are open and running

It is strongly recommended that you shut down all applications before you run the printer driver installation program.

Windows **Macintosh**

Make sure that your operating system is stable

A serious error could cause Windows or the Mac OS to become unstable. If you are experiencing a problem with the printer driver installation, re-start the computer by shutting it down, switching the power off, and switching it on again. Then re-install the printer driver.

Windows

Check to see if the following message has been displayed

File cannot be found on the specified path or disk.

Make sure you install the Setup Software & Reference Guide CD-ROM and select the CD-ROM drive. The name of the drive (D:, E:, F:, etc.) depends on the computer.

USB driver installed correctly?

Follow the procedures in *Getting Started* to install the printer driver again. If re-installing the printer driver does not solve the problem, the USB driver may not be installed correctly. First, check the status of the USB driver. If the USB driver is not performing correctly, remove it and then re-install the printer driver.

Checking the status of the USB controller

- 1.** Check the USB cable and make sure that it is securely connected to the computer and the printer, and make sure that the printer is switched on.
- 2.** On the desktop, click the Start button, point to Settings, and then click Control Panel.
- 3.** Double-click the System icon.
- 4.** Click the Device Manager tab.
- 5.** Double-click Universal serial bus controller, and make sure that Canon BJC-55 is selected.



Note

-
- If you see Canon BJC-55 displayed, the USB driver is installed correctly.
 - If you see an exclamation mark (!) displayed, the USB driver is not installed correctly. Remove it and re-install the printer driver.
 - If nothing is displayed, click the Other Devices heading. If you see the USB driver under Other Devices, the driver is not installed correctly. Remove it and then re-install the printer driver.
-

Removing a device

Follow this procedure to remove a device listed on the Device Manager tab.



Caution

PROCEED CAREFULLY TO AVOID ACCIDENTALLY REMOVING ANOTHER IMPORTANT DEVICE. REMOVING ANY OTHER DEVICE COULD INTERFERE WITH THE PERFORMANCE OF WINDOWS.

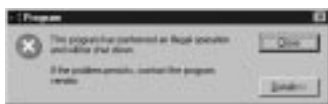
- 1.** On the Device Manager tab, double-click Other Devices, and then click Canon BJC-55.
- 2.** Click the Remove button.

3. Read the confirmation, make sure Canon BJC-55 is selected, and then click the OK button.
4. Click the Close button.
5. Click the “x” in the upper right corner to close the System Properties window.
6. Disconnect the USB cable from the computer.
7. On the desktop, click the Start button, and then click Shut Down.
8. Click Restart and then click the OK button.
After the computer has re-started, follow the procedure in *Getting Started* to install the USB printer driver again.

Windows

Application Error or General Protection Fault appears on the screen

An application error or general protection fault are Windows system errors. For more details, see your Windows on-line Help.



Windows

Check to see if you are using Windows 3.1 application software

If you use Windows 3.1 application software on Windows 98/Windows 95/Windows 2000, it may not operate correctly and could cause an error. Use only Windows 98/Windows 95/Windows 2000 software applications. Contact the software manufacturer and inquire about an updated version of your Windows 3.1 software application.

Windows

Check to see if one of the following messages has been displayed

Cannot execute print due to insufficient memory.

Refer to the software application manual for the amount of memory

required to run the program. Add more memory (RAM) if required. Shut down all other software applications before you open the software application and try again.

Cannot execute background printing due to insufficient memory.

Shut down all programs running in the background in order to free up memory.

Cannot execute print due to insufficient disk space.

Delete any unnecessary files to make room on the hard disk.

Windows

Check to see if there are any errors in the document

Try printing with newly created document.

Windows

Check to see if the printer driver has been installed properly

It is possible that the printer driver may not have been installed properly. Uninstall the printer driver and reinstall it from the beginning. For details, see the *Windows Printer Driver Guide*.

Windows Macintosh Other


Cannot print to the end of the print job

The print job has not completed if you see part of the text missing at the bottom of the last page printed and the following pages are missing.

Normal

Printer Features

- **Simple, compact design**
The light, yet sturdy construction of the BJC-200 allows easy set up and operation, even for beginners, and it will not require much space in your work area.
- **Variety of print media**
The printer produces superb colour printing on print paper or cardstock like Canon High Resolution Paper HP-101, but for professional use, the printer can also print on a wide variety of media, including the printer, like transparencies for OHP presentations, back print film, direct glossy photo paper, high gloss film, or glossy photo discs.




- **Drop Modulation Technology**
The Color iCi Cartridges, BJC-214 and BJC-226 Photo empty, Canon's new dual drop technology, which produces fine halftones with combinations of large and small dots, resulting in truly stunning colour photographs on Canon special media like high resolution paper, glossy photo paper, or high gloss film.
- **Easy operation**
In the printer driver, you only need to select the iCi Cartridge and type of media for the print job to produce exceptional results. Printing on special media like facsimile and back print film was never easier.

Abnormal (part of last page missing)

Printer Features

- **Simple, compact design**
The light, yet sturdy construction of the BJC-200 allows easy set up and operation, even for beginners, and it will not require much space in your work area.
- **Variety of print media**
The printer produces superb colour printing on print paper or cardstock like Canon High Resolution Paper HP-101, but for professional use, the printer can also print on a wide variety of media, including the printer, like transparencies for OHP presentations, back print film, direct glossy photo paper, high gloss film, or glossy photo discs.



- **Drop Modulation Technology**
The Color iCi Cartridges, BJC-214 and BJC-226 Photo empty, Canon's new dual drop technology, which produces fine halftones with combinations of large and small dots, resulting in truly stunning colour photographs on Canon special media like high resolution paper, glossy photo paper, or high gloss film.

Check the printer and interface cable

Check the printer status and the interface cable connections. (☞96)

Check to see if paper or special print media that you are using has been selected in the printer driver

If you are printing on a paper size that has not been selected in the printer driver or the software application, part of text may be cut off. Use the selected paper size, or change the paper size selection in the software application. Check the printer driver paper size selection and make sure that it is the same as the paper size selection of the software application. If the software application does not allow paper size selection, select the paper size with the printer driver.

Check to see if you have disrupted the infrared data transfer in progress or activated other infrared communication device nearby

Never disrupt the infrared communication between the printer data port and the computer or PDA port. Any physical disruption of more than 10 seconds will cause cancellation of the print job, and blank sheets will be ejected from the printer. Remove any physical object blocking the line of sight between the infrared ports on the printer and computer.

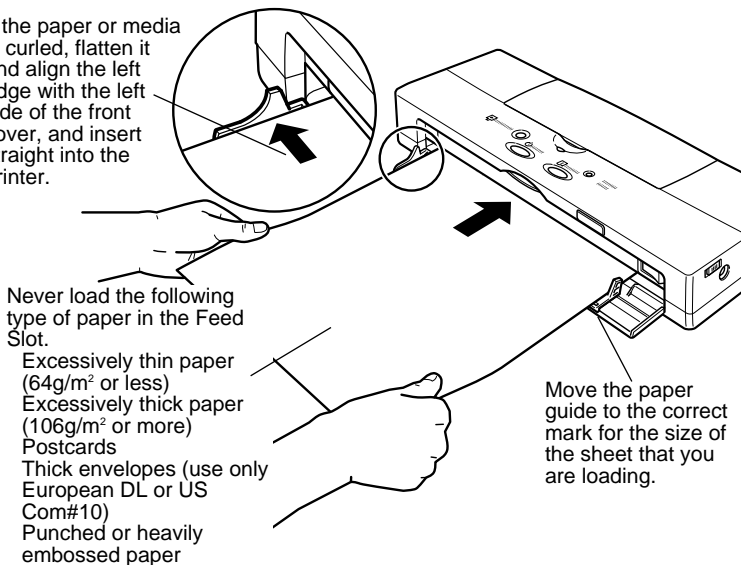
Never attempt to use other infrared devices nearby while a print job is executing. For example, using electrical home appliances such as remote controlled TV could disrupt the infrared data transmission between the printer and computer and cause the print job to halt.

Cannot feed manually

If you cannot feed paper or other media with manual feed, check the points below. Press the **RESUME** button to resume printing after correcting the cause of the problem.

Is the paper set correctly?

If the paper or media is curled, flatten it and align the left edge with the left side of the front cover, and insert straight into the printer.



Note

If the top edge of the sheet is too small or if the sheet is not straight, the printer will beep once and the CHARGE/ERROR lamp will flash. Pull the sheet out of the manual feed slot and try to insert the sheet straight into the printer with the left edge aligned with the left side of the manual feed slot. When the paper is inserted correctly, it will return slightly and the printer will not beep.

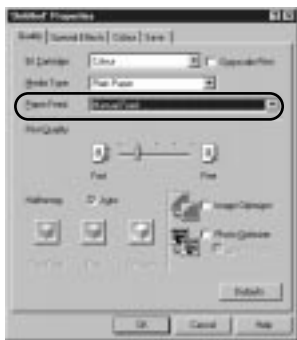
Is Auto Feeder selected for the Paper Feed in the printer driver?

In order to feed paper manually, Manual Feed must be selected in the printer driver.

Windows

Selecting Manual Feed

1. Click Start, point to Settings, and click Printers.
2. Right-click the Canon BJC-55 icon and select Properties.
3. Click the Main tab.
4. Click the Advanced button.
5. Click the Quality tab.
6. For the Paper Feed option, select Manual Feed.



Macintosh

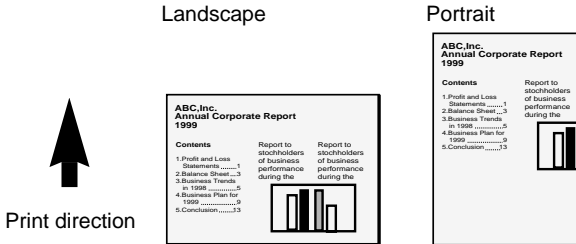
Selecting Manual Feed

1. From the File menu select Print (or similar command).
2. For the Paper Feed option, select Manual Feed.



Printout rotated 90 degrees

If the printout is rotated 90 degrees the Orientation setting is not correct. Here is how a printout appears with the image or text rotated 90 degrees.

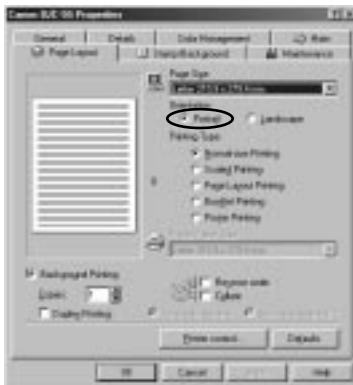


Check to see if the correct Orientation has been selected

Select portrait if the text is printed on landscape.

Selecting the Orientation

1. Click the Start button, point to Settings, and click Printers.
2. Right-click the Canon BJC-55 icon and select Properties.
3. Click the Page Layout tab.
4. Click Portrait to print lengthwise to the direction of paper feed.






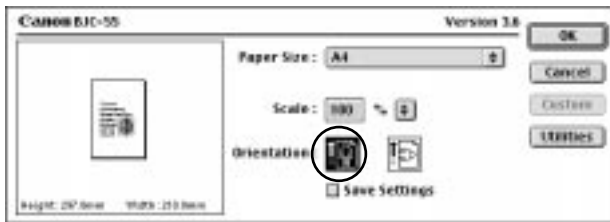
Note

Some software applications allow you to select the Orientation for the print job. If you select the Orientation with the software application, you must select the identical setting with the printer driver. If the software application does not allow selection of the Orientation, you must use the printer driver Orientation selection.

Macintosh

Selecting the Orientation

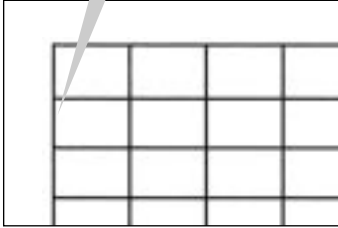
- 1.** From the File menu select Page Setup.
- 2.** For the Orientation setting click the  icon.



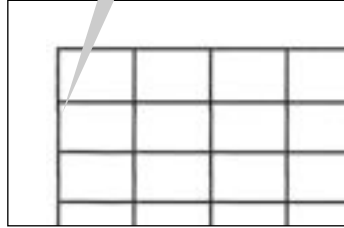
Vertical lines are broken

Vertical lines in the printed document are broken or jagged.

Normal Vertical Lines

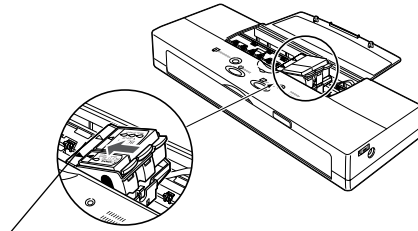


Broken Vertical Lines



Make sure the BJ Cartridge is correctly installed

Remove the BJ Cartridge and install it correctly. Make sure the triangular marks on the BJ Cartridge and holder are aligned then press down gently on the raised, left side of the BJ Cartridge until you hear it lock in place.



Align the marks on the BJ Cartridge with the marks on the holder (▷◁).

Check the Print Quality setting

Use the Print Quality slide bar to select Fine.

Windows


Selecting Fine for Print Quality

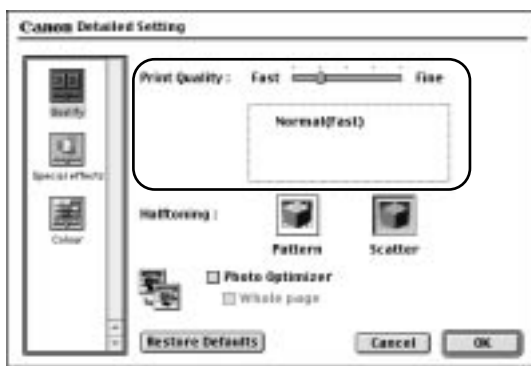
- 1.** Click the Start button, point to Settings, and click Printers.
- 2.** Right-click the Canon BJC-55 icon and select Properties.
- 3.** Click the Main tab.
- 4.** Click the Advanced button.
- 5.** On the Quality sheet, drag the Print Quality slide bar completely to the right to select Fine.



Macintosh

Selecting Fine for Print Quality

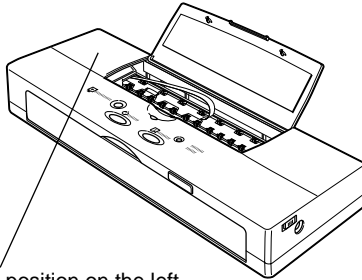
1. From the File menu, select Print.
2. Under Print Mode, click the  (Manual) icon.
3. Click the Details button.
4. Click the Quality icon.
5. Drag the Print Quality slide bar completely to the right to select Fine.



BJ Cartridge does not return to the home position after installation

After the BJ Cartridge is installed in the printer, the BJ Cartridge mounted in the holder does not return to the home position.

After replacing the BJ Cartridge or an ink cartridge, the cartridge holder does not return to the home position. When the cartridge button is pressed, the printer beeps but the **POWER** button remains flashing.



Home position on the left.

Make sure the BJ Cartridge is installed correctly

Switch the printer off, switch it on, and then reinstall the BJ Cartridge. (51)

If the BJ Cartridge and holder do not return to the home position, then remove the BJ Cartridge and install another BJ Cartridge.



Note

It takes approximately 2 seconds for the printer to recognize a newly installed BJ Cartridge. During this time the cartridge holder will not return to the home position, even after you press the CARTRIDGE button.

Cannot print via wireless infra-red connections

The print job does not execute when computer or the PDA is set up for a wireless infrared connection with the printer.

Windows***Make sure the infrared driver is installed correctly***

The Microsoft Infrared Communication Driver must be installed to perform printing jobs via infrared communication from the computer. Other infrared drivers may not operate correctly. Make sure that the correct infrared communication driver is installed. (☞34)



Note

Some computers may require adjusting a BIOS setting to enable infrared communication. For details, see your computer manual.

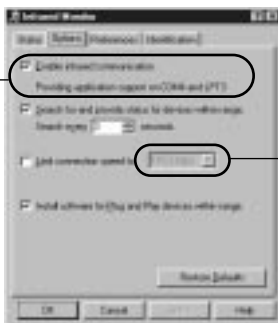
Windows***Make sure infrared communication driver can be used***

Open the Infrared Monitor and verify that the infrared communication has been enabled and that the printer has been detected.

Windows**Confirming the infrared connection**

- 1.** Click the Start button, point to Settings, and click Control Panel.
- 2.** Double-click the Infrared icon.
- 3.** Click the Options tab.
- 4.** Click the check box on for “Enable infrared communication”.

4.



5.

5. Check the connection speed to see if it is checked off.



Note

The operation of some computers could be unstable if the connection speed is set for 4Mbps. Click the “Limit connection speed to” check box on, and then select 115.2kbps from the drop-down list box.

Windows

Is the printer positioned at the correct distance and angle from the computer?

The printer must be located at the correct distance and angle from the computer in order for the infra-red interface to operate correctly. For details, see “Using the infra-red data transmission”. (☞35)

Windows Other

Check to see if you are using anything other than PC/AT compatible

The computer must be PC/AT compatible to print by using infrared communication. It cannot be executed with a Macintosh.

Windows

Make sure the correct port is selected to receive data

Make sure that COM4: (Infrared Serial (COM) Port) is selected in the data receiving printer port to print by infrared communication. Selecting any port other than this port will cause an error.



Note

The number of the serial port (COM4) may differ, depending on the operating system environment.

Selecting the infrared transceiver port

1. Click the Start button, point to Settings and select Printers.
2. Right-click the Canon BJC-55 icon and select Properties.
3. Click the Details tab.

4. Click the down-arrow for “Print to the following port” and select “COM4: (Infrared Serial (COM)) Port”.



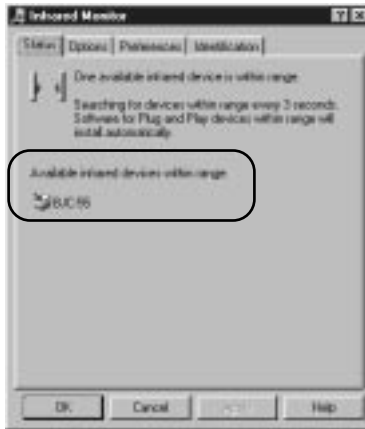
Windows

Make sure the BJC-55 Series is connected properly with the computer via infrared port

Confirming correct infrared connection

1. Click the Start button, point to Settings, and click Control Panel.
2. Double click the Infrared Monitor icon.

3. Make sure that BJC-55 is listed as the currently active infrared device.



If you do not see “BJC-55” displayed, first check the area between the computer and the printer and make sure that nothing is blocking infra-red communication between computer and printer. If nothing is between the printer and computer, press the **POWER** button to switch the printer off, and then disconnect the power cord and remove the battery. Next, re-install the battery, connect the power cord, press the **POWER** button to switch the printer on, and then execute the print job again.

Windows **Macintosh** **Other**

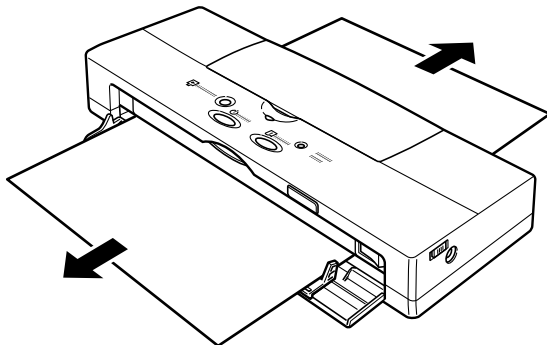
Paper skews or jams during feeding

If a sheet of paper skews and jams, a message is displayed:

Paper Jam!

Make sure the paper is set in the Feed Slot correctly (☞107)**Removing a paper jam**

1. Gently pull the paper out of the printer with one hand while holding the printer in place with the other. You can pull the paper out from the front or the rear of the printer.



2. If the paper tears off inside the printer, switch off the printer and open the top cover. Remove the remaining paper, taking care not to touch the film cable.
3. Press the **POWER** button to switch the printer on again. The printer is now ready to print.
4. Open the top cover and check the platen. If the platen is soiled and the reverse side of your output is stained with ink after a paper jam occurs, clean the platen inside the printer. (☞84)
 - If paper jams occur repeatedly, you may be loading the paper incorrectly, or using the wrong kind of paper.
 - Make sure that you are loading and feeding the paper or special media correctly. (☞48)

Paper is not feeding straight?

If the sheet of paper is not inserted straight, the sheet will be returned without feeding into the printer. Insert the sheet straight into the printer.

After inserting the sheet into the printer until it stops, did you hold it in place for about two seconds?

The sheet may not feed straight if you do not hold it in position for at least two seconds, or if you hold it steadily in position.

Is a foreign object blocking the feed slot?

Check the feed slot. If something is blocking the feed slot, remove it.

Are the printed sheets sticking to the surface below due to static cling?

Static cling between the sheet and the surface of the desk or work table could stop feeding, causing the printer to print repeatedly over the same area without advancing the paper, especially when using High Gloss Film HG-101 or Back Print Film BF-102. When printing with these special media, a spread sheet of plain paper in front of the printer where the sheets are ejected before starting the print job.

Screen colours and the printed colour do not match

The colours on the printout are unsatisfactory. For example, on-screen blue is printed purple or deep red, or on-screen light green appears deep green or weak yellow. (strong red). Light green appears deep green (weak yellow).

Determine if the colour mismatch is significant

The print head could be clogged or the ink may have run out when the colours on the printout do not match with the screen.

- 1.** Print a nozzle check pattern. (☞56)
- 2.** Clean the print head. (☞85)

If you are using Windows, click the Advanced button on the Main sheet. On the Special Effects tab make sure that the Monochrome Effects check box is clicked off.

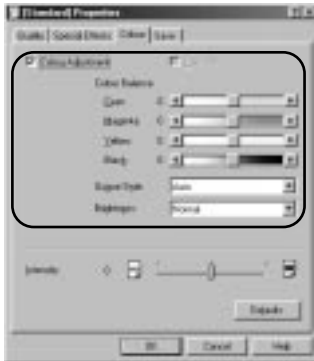
Determine if only certain colours are unsatisfactory

Adjust the printer driver colour setting to match the colours.

Windows


Adjusting the colour

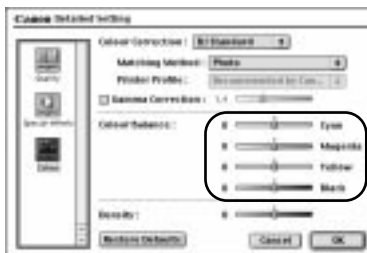
1. Click the Start button, point to Settings, and click Printers.
2. Right-click the Canon BJC-55 icon and select Properties.
3. Click the Main tab.
4. Click the Advanced button.
5. Click the Colour tab.
6. Click the Colour Adjustment box on.



Macintosh

Adjusting the colour

1. From the File menu, select Print.
2. Under Print Mode, click the  (Manual) icon.
3. Click the Details button.
4. Click the Colour icon.



Windows **Macintosh** **Other**

Document prints in only black and white

A document that contains coloured text or images prints only in black and white.

Windows **Macintosh** **Other**

Check to see if the Color BJ Cartridge is installed

Press the **CARTRIDGE** button to move the cartridge holder to the centre and open the top cover to see if a Color BJ Cartridge is installed.

Windows **Macintosh**

Make sure that Greyscale Print is switched off

While Greyscale Print is selected, all colours will print in black and white. For colour printing, click the Greyscale Print box off.

Windows

Switching Greyscale Print off

- 1.** Click the Start button, point to Settings, and click Printers.
- 2.** Right-click the Canon BJC-55 icon and select Properties.
- 3.** Click the Main tab.
- 4.** Click the Greyscale Print box off.



Macintosh

Switching Greyscale Print off

1. From the File menu, select Print.
2. In the Print dialog box, click the Print Greyscale box off.



Windows

Make sure the colour settings are correct in the software application

Some application software may contain a dialog box with an option to select black and white only. Change this setting to enable colour printing.

Windows

Make sure the BJC-55 Series is selected as default printer

It is necessary to select BJC-55 Series as default printer. If another black and white printer is selected as default printer, then the BJC-55 Series could print black and white only.

Windows **Macintosh** **Other**

Colours are broken or uneven

Printed colours are faded, broken or uneven, compared to the colours on the screen.

Windows **Macintosh**

Make sure the correct BJ Cartridge and Media Type are selected for the print job

Check the printer driver settings and make sure that the correct BJ Cartridge and Media Type settings are selected for the print job.

Windows

Selecting the BJ Cartridge and Media Type

- 1.** Click the Start button, point to Settings, and click Printers.
- 2.** Right-click the Canon BJC-55 icon and select Properties.
- 3.** Click Main tab.
- 4.** Select the BJ Cartridge and Media Type for the print job.



Macintosh

Selecting the BJ Cartridge and Media Type

1. From the File menu, select Print.
2. In the Print dialog box, select the BJ Cartridge and Media Type for the print job.



Windows Macintosh Other

Make sure that Canon ink cartridges are installed in the BJ Cartridge

The colour quality will degrade if you use ink from other manufacturers. Use only Canon ink cartridges for best quality.

Printing beyond edge of a page, or portions of printed page are missing

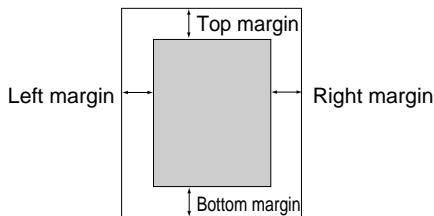
The print start position is incorrect, causing the end of the page to extend onto the next sheet. If the print start position is incorrect, this can cause the print area to shift and appear out of position at the top, bottom, left, or right on the printed sheet.

Determine if you are printing on a paper size different from what is selected in the application software

Make sure you use the paper size selected in the software application. Select the correct paper size setting in the software application.

Selecting the paper size

Setting the correct margins in the software application ensures that the print area will be centered on each page of the document. For details about setting the margins for a document, refer to your software application manual.



- If the print area shifts to the top, increase the top margin, and decrease the bottom margin.
- If the print area shifts to the left, increase the left margin, and decrease the right margin.
- If the print area shifts to the bottom, increase the bottom margin, and decrease the top margin. (If the bottom margin is not adjustable in the software application, then reduce the number of lines on a page to increase the bottom margin.)
- If the print area shifts to the right, increase the right margin, and decrease the left margin. (If the right margin is not adjustable in the software application, then reduce the number of characters in a line of a text to increase the right margin.)

If the print area shifts to top left or the bottom right ...

Windows **Macintosh** **Other**

Determine if you are printing on a paper size different that the paper size selected in the printer driver

The print area will shift to the top left if you are printing on a paper larger than what is selected in the printer driver, and will shift to the bottom right if you print on a paper size smaller than what is selected in the printer driver. Select the paper size in the printer driver.

Windows **Macintosh** **Other**

Determine if the Scale print options is selected

If you are attempting to execute a Scale print, make sure the rate of enlargement/reduction is set correctly and make sure that the Paper Size selection is correct.

If printing is beyond the edge of the page ...

Windows **Macintosh**

Determine if you are printing on a paper size shorter than what is selected in the software application

Make sure you use paper size that is selected in the software application.

Windows **Macintosh**

Determine if the top margin value in the software application is too large

Reduce the top margin value to the minimum allowed by the software application. If this is not possible, then reduce the number of lines allowed per printed page. Refer to your software application manual for details.

Windows Macintosh Other

Printer does not switch on

The **POWER** lamp does not light when the **POWER** button is pressed.

Windows Macintosh Other

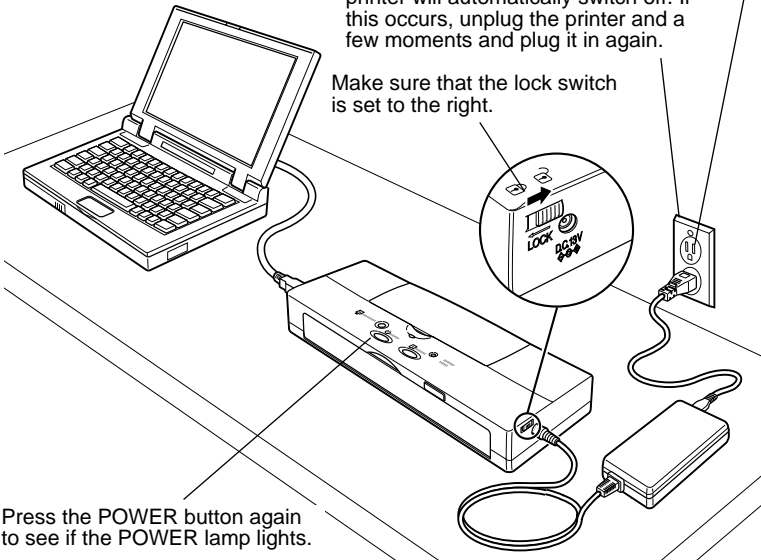
Check the printer and power cable

Connect the power cord to the printer and plug in the power cord to the power outlet securely.

Plug other electrical appliances into the same power outlet to see if it is working.

If power outlet is overloaded, then the printer will automatically switch off. If this occurs, unplug the printer and a few moments and plug it in again.

Make sure that the lock switch is set to the right.



Press the **POWER** button again to see if the **POWER** lamp lights.

Windows Macintosh Other

Is the battery fully charged?

When you are using the printer on battery power only, you cannot switch the printer on if the battery is low. With the battery installed in the printer, connect and use the AC adapter.

Windows Macintosh Other

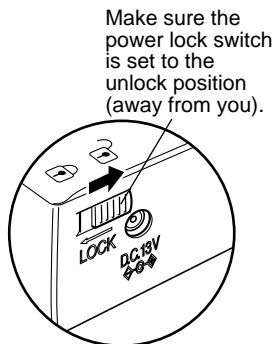
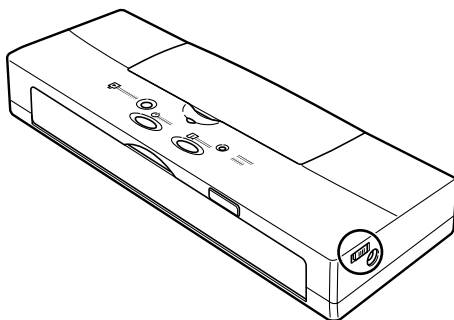
Printer does not switch off

The printer does not switch off, even after you press the **POWER** button.

Windows Macintosh Other

Is the power lock switch set in the lock position?

If the power lock switch is set forward in the lock position, the printer will not switch on even after you press the **POWER** button. Slide the power lock switch away from you to the unlock position.

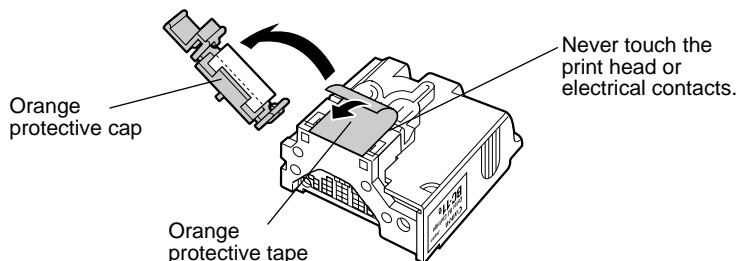


Printer seems to be working but nothing prints

The printer is operating but only blank pages are ejected.

Remove the BJ Cartridge and make sure that the orange protective tape was removed from the print head

The ink will not flow with the orange protective tape attached. Make sure the orange tape is removed before installing a BJ Cartridge in the printer.



Print a nozzle check pattern

Print a nozzle check pattern to confirm that the print quality has been restored. (☞56)

If the nozzle check pattern prints ...

A problem probably exists in the interface cable connection, the infrared communication environment, or software application.

If the nozzle check pattern does not print ...

Execute a print head cleaning and print head flushing. (☞85)

If the printing cannot be restored after five print head cleanings, then the ink may have run out. Replace the ink cartridge with a new one. (☞66)

Windows Macintosh Other

Print job halts

The print job halts before it has completed.

Windows Macintosh Other

Determine if the print job contains a large colour image

High resolution pictures or images could cause the print job to pause temporarily for a few seconds due to the time required to process the large amount data being sent. The print process should resume normally.

Windows Macintosh Other

Check for the following message

Paper Jam!

A sheet of paper is jammed in the printer. Remove it to resume printing. (☞118)

Windows Macintosh Other

Determine how long the printer has been in constant operation

Continuous printing for an extended length of time could cause the print head to overheat and cause it to stop. The print head will stop for a few moments at the end of each pass to allow it to cool off after it has become overheated.

During heavy duty printing of large areas of dark colour, the printer may automatically halt to protect the print head from damage. In such a case, further printing is not possible until the print head has completely cooled. Switch off the printer and wait approximately 15 minutes.



IF THE PRINT HEAD HAS OVERHEATED, NEVER TOUCH THE PRINT HEAD UNTIL IT HAS COOLED.

If you are using the infra-red interface, is there an obstacle between the printer and the computer?

When you use the infra-red interface for printing, the area between the printer and the computer must be free of any obstacle which could interfere with the line-of-sight communication between the computer and printer. Remove any obstacles.

Windows Macintosh Other

Printing blurred or smudged

Windows Macintosh Other

Determine if you are printing on plain paper with Print Quality set for Fine

Printing in the Fine mode could result in excess ink on the paper. Reduce the print quality to avoid blurring or smudging. For details, refer to the *Windows Printer Driver Guide* or *Macintosh Printer Driver Guide*.

Windows Macintosh Other

Check to see if the paper thickness is within the specified thickness

Never use paper thicker than (106 gsm) to avoid blurring or smudging on the paper.

Windows Macintosh Other

Determine if the document exceeds the recommended print area

Adjust the setting to print within the recommended print area. Printing outside the recommended printing area, could cause blurring or smudging. (☞153)

Windows Macintosh Other

If you are using Glossy paper, make sure that you print on the glossy side only

Always load glossy paper with the glossy side facing up.

Windows Macintosh Other

Check to see if the paper is curled or bent

To remove the curl, bend the sheet gently in the direction opposite the curl.

Windows **Macintosh** **Other**

Printout is excessively curled

The printed sheet is excessively curled, wrinkled or warped.

Windows **Macintosh** **Other**

Determine if you are printing an image or picture that has a dense colours

Printing an image or picture with a dense colours requires a large amount of ink and could curl or wrinkle the paper. For such print jobs we recommend using High Resolution Paper HR-101 or Glossy Photo Paper GP-301. These sheets have specially coated surfaces designed to increase the absorption of the ink which avoids curling or the wrinkling.



Note

Special print media must be printed on the correct print side. (49)

Windows **Macintosh** **Other**

Check Intensity setting in the printer driver


To reducing wrinkling and curling, reduce the amount of ink used in the print job.

Windows

Lowering the Intensity setting

- 1.** Click the Start button, point to Settings, and click Printers.
- 2.** Right-click the Canon BJC-55 icon and select Properties.
- 3.** On the Main tab, click the Advanced button then click the Colour tab.
- 4.** Slide the button on the Intensity slide bar to the left to reduce the amount of ink used in the print job.

Lowering the Density setting

1. From the File menu, select Print.
2. In the Print dialog box, click the  (Manual) icon then click the Details button.
3. In the Detailed Setting dialog box, click the Colour icon.
4. Drag the button on the Density slide bar to the left to reduce the amount of ink used in the print job.

Battery is not charging

You have been using the printer and you want to charge the battery but you cannot proceed. The AC adapter is connected to the printer and plugged into a power outlet, but the **CHARGE/ERROR** lamp does not light green.

Executing a long print job?

After prolonged use, the printer may heat up and not allow you to recharge the battery for about 30 minutes until the printer has cooled. Wait for the printer to cool, then try to charge the battery again.

CHARGE/ERROR lamp lights or flashes orange

The orange **CHARGE/ERROR** lamp lights or flashes, the printer beeps, and printer does not operate.

The printer will beep when an error occurs and the orange **CHARGE/ERROR** lamp will light or flash to let you know when and what type of error has occurred. You may need to switch the printer off and switch it on again in order to identify the problem.

Refer to the table below to determine the cause of the error.

CHARGE/ ERROR Lamp	Beeps	Meaning	Solution
Lights and remains on	1	Paper not set in the Feed Slot	(☞48)
	2	Paper jam	Remove the paper jam. (☞118)
	3	BJ Cartridge not installed	Install BJ Cartridge correctly. (☞39)
	4	Correct and suitable BJ Cartridge not installed	Replace with a correct suitable BJ Cartridge.
	6	Battery is not installed correctly	(☞28)
	1 long, 1 short	Battery is nearly dead	Charge battery as soon as possible. (☞60)
Flashing	1	Paper not set in the Feed Slot correctly	Remove the paper from the Feed Slot and set correctly.(☞48)
	2	The ink is low*	When the Low-ink warning is on, this alert appears. Press RESUME to continue. Replace the ink cartridge as soon as possible. Also, at the same time reset the low-ink warning counter. (☞64)
	3	Forcefully discontinued the BJ Cartridge replacement	When BJ Cartridge replacement is forcefully discontinued, pressing the RESUME button resume printing.
	4	Battery is low	Change the battery or charge the battery (☞60).
	5	Waste ink cartridge is full	The printer may resume and be able to print by pressing the RESUME button but this should not be repeated too many times. Call for service.

CHARGE/ ERROR Lamp	Beeps	Meaning	Solution
	6	Battery is damaged.	Switch the printer off then switch it on again. After switching the printer off and on, if the problem persists, remove the battery and replace it with a new one.
Both CHARGE/ ERROR and POWER lamps flash	1-7 9-12	An error occurred inside the printer	A serious error. Switch the printer off. Wait a while, then switch it back on. If the error still persists, then call for service.
	8	Printer is overheated	A serious error. Switch the printer off for approximately 15 minutes and then switch it back on. If the error persists, replace the BJ Cartridge. If that does not correct the problem, call for service.

*When the low-ink warnig is on.

The following messages may also be displayed in the BJ Status Monitor.

In this case, refer to Service Error in the table above.

Waste ink cartridge full! Call for service!

Service error xxx! Call for service!

Make sure that the paper is set correctly

The orange light will light or flash and the printer will beep to alert you that the paper has not fed into the printer. If there is no paper on the Feed Slot then load some paper. If the paper is not straight on the Feed Slot, then set it straighten and try again.

Check to see if the following message has been displayed on the screen

Paper Jam!

If a paper is jammed inside the printer, the printer will beep twice and the orange **CHARGE/ERROR** lamp will light. Remove the jammed paper and set a new sheet of paper to resume printing. (☞ 118)

Check to see if the BJ Cartridge has been removed

If the BJ Cartridge has been removed, or if the BJ Cartridge failed electrically, the printer will beep three times and the orange **CHARGE/ERROR** lamp will light. Re-install the BJ Cartridge in the cartridge holder if it has been removed, or install a new BJ Cartridge to resume printing.

Check to see if you have installed the wrong BJ Cartridge for the print job

The BJ Cartridge is not appropriate for the print job, or if you attempt to start a print job with the optional Scanner Cartridge installed, the printer will beep 4 times and the orange **CHARGE/ERROR** lamp will light. Install the correct BJ Cartridge to resume printing.

Has the battery been removed?

If the battery is not installed correctly, the **CHARGE/ERROR** lamp lights orange and the printer beeps six times. Make sure that the battery is installed correctly.

Check the ink level in the ink cartridges

If the low-ink warning has been switched on, and the buzzer beeps twice the orange **CHARGE/ERROR** lamp will flash. (☞ 64) You can continue the print job until the ink runs out by pressing the **RESUME** button, but immediate replacement of the ink cartridge is recommended.

Use the operation panel to reset counter for the low-ink warning detection. If you are using the printer driver, the counter is reset automatically. If the counter is not reset, the low-ink warning will not function correctly.

☞ Low-ink warning and ink cartridge replacement

☞ For details about printer driver, see the *Windows Printer Driver Guide* or *Macintosh Printer Driver Guide*

Have you been executing a long print job on battery power only?

When the battery power runs low, the printer emits alternate long and short beeps and the **CHARGE/ERROR** lamp lights. Switch the printer off. Connect the AC adapter to the printer then plug it into a power outlet, or remove the battery and install a charged battery.

Check to see if you have aborted the BJ Cartridge replacement

If you discontinue the BJ Cartridge replacement (after pressing the **CARTRIDGE** button wait for at least 5 minutes), the printer will beep 3 times and the orange **CHARGE/ERROR** lamp will flash. The cartridge holder returns automatically to the home position on the left side. Press the **CARTRIDGE** button to continue BJ Cartridge replacement. If you intend to use the printer in this situation, then press the **RESUME** button.

Macintosh

“Error Number: *300” appears on the screen and print job does not execute

This is a Macintosh error message where the * is replaced with a letter.

Macintosh

Make sure that the printer is switched on

Make sure that the printer power light green. When the printer power light is flashing green, the printer is warming up. Wait few moments for the **POWER** lamp to stop flashing. The printer is ready when the green flashing lamps lights green and remains on. If the **POWER** lamp does not light, see page 128.

Macintosh

Check the printer and the interface cable

Check the printer status and the connection of the printer interface cable connections. (☞128)

Macintosh

Check to see if the background printing is operating properly

Follow this procedure to disable background printing and try to execute the print job again.

1. From the Apple menu, select the Chooser.
2. Click the BJC-55 icon.
3. Click the Backgrounding radio button off.



Note

If you cannot execute background printing, correct this problem as soon as possible. (☞143)

Macintosh

Make sure that the printer driver has been installed correctly

There may be a problem with the printer driver. Uninstall it and install the printer driver again.

The problem may exist within the printer driver. Uninstall the printer driver and reinstall it. For details about uninstalling the printer driver, refer to the *Macintosh Printer Driver Guide*. For details about installing the printer driver, see *Getting Started*.

Macintosh

“Type x Error” appears on the screen

This is a Macintosh printer error where ‘x’ is replaced with a number.

Macintosh

Determine if any other software applications are open

If you are running other software applications during a print job, it is possible that the required amount of memory may not be available for the print job and result in this error. Close all software applications and start the print job again.

Macintosh

Determine if sufficient memory is available

Refer to the application software manual to verify that you have enough memory to run the software application. If you do not have sufficient memory, add memory (RAM). Refer to your computer manual for details about adding memory.

Macintosh

Check to see if there is a sufficient available space on the hard disk of your computer

An error could occur if there is not enough space available on the hard disk of your computer. Secure enough hard disk space by deleting unnecessary files to create enough space for the creation of temporary files during printing.

Determine if there is any problem with the document file

If unknown characters and letters are printed only for a specific document file, then the problem may exist within that file, or the software application that you are using. In this case, try typing the same text in a newly created file, and if the new document prints normally then the problem exists in the original document file. If the same problem occurs with the new file, call for service.

Determine if the printer driver has been installed properly

There may be a problem with the printer driver. Uninstall it and install the printer driver again.

The problem may exist within the printer driver. Uninstall the printer driver and reinstall it. For details about uninstalling the printer driver, refer to the *Macintosh Printer Driver Guide*. For details about installing the printer driver, see *Getting Started*.

Determine if any special extension files or control panel options are in use

The printer driver could conflict with a non-Apple generated file extension or a control panel option. Use the Extensions Manager to change the configuration to eliminate any conflicts.

Cannot execute background printing

Make sure that background printing has been switched on

If you cannot execute background printing, this feature may have been switched off.

Switching on background printing

- 1.** Click the Start button, point to Settings, and click Printers.
- 2.** Right-click the Canon BJC-55 icon and select Properties.
- 3.** Click the Page Layout tab.
- 4.** Click the Background Printing check box on.

Switching on background printing

- 1.** From the Apple menu, select the Chooser.
- 2.** Click the BJC-55 icon.
- 3.** Click the Backgrounding radio button on.

If background printing has been switched on, there may not be enough space on the disk to create temporary files for printing

Check to see if there is a sufficient empty space on the hard disk of your computer.

Background printing cannot be executed if there is not enough free space available on the hard disk of your computer. If there is not enough space available on your hard disk, secure enough hard disk space by deleting unnecessary files.

Macintosh

Cannot select the printer driver in the Chooser

Check the following items if you cannot select the printer in the Chooser.

Macintosh

Make sure the printer is switched on

Make sure the printer is switched on and the **POWER** lamp is green. If the green light is flashing, then printer is warming up. Wait few moments for the printer to finish warming up. If the printer does not switch on then see page 128.

Macintosh

Check the printer and the interface cable connections

Check the printer status and the connection of the printer interface cable connections. (☞ 128)

Macintosh

Make sure that the printer driver has been installed correctly

There may be a problem with the printer driver. Uninstall it and install the printer driver again.

The problem may exist in the printer driver. Uninstall the printer driver and reinstall it. For details about uninstalling the printer driver, refer to the *Macintosh Printer Driver Guide*. For details about installing the printer driver, see *Getting Started*.

Macintosh

Make sure the server is switched on in the networking environment

For details about setting up the printer for use on a network, see the *Macintosh Printer Driver Guide*.

Macintosh

Determine if there is a problem with the networking environment

Call the system administrator, for details about setting up the printer for use on a network, see the *Macintosh Printer Driver Guide*.

Before you call for service...

The Contact List, a list of Canon Help Desks with telephone numbers and addresses worldwide, is provided with the printer. Before you call for service, however, we recommend that you gather some information that will help Help Desk advisors find a solution for your problem.

Before calling for service, check the printer status, the computer and its connection environment and identify the problem for faster assistance.

Work through the Troubleshooting descriptions of problems and solutions to attempt to solve the problem. If you do not have time to do this, at least follow the steps below and prepare answers for some basic questions you may be asked by the Help Desk advisor.

Describing the problem

1. Check the printer.

Check the printer status to see if it prints.

- **The printer does not operate.**

Example: Printer does not switch on. (☞128)

Printer does not operate. (☞96)

Paper does not feed from the Feed Slot. (☞107)

If the problem cannot be identified after checking all the connections and attempting to switch the printer on, the printer may be damaged. Call for service.

- **Printer operates but does not function correctly.**

Examples: Printouts blurred or streaked with white lines. (☞ 92, 133)

The print head of the BJ Cartridge may be worn out or damaged.

Print a nozzle check pattern and clean the print heads. (☞56, 85) If you cannot solve the problem, call for service.

2. Check the interface cable.

Check the connection of the interface cable at the printer and at the computer. A loose interface cable can generate random errors and error messages which could make identifying the cause of the problem very difficult. Make sure that both connections are secure.

- **Print job will not start.**

Examples: No error messages displayed on the screen.

USBPRN: write error

Check to see if the printer is connected to the computer correctly.

- **Print result is abnormal.**

Example: Strange characters are printing. (☞94)

The printer interface cable may be damaged. Replace it with a new interface cable and try to print again.

3. Check the Computer.

The problem may exist in the software application or in the computer system.

- **Print job will not execute with a particular application software.**

Examples: Print job halts and will not complete. (☞105)

Only part of the document prints. (☞105)

Try printing with another software application to confirm that the problem exists in the software application.

The printer does not print with other software applications

Make sure the printer has been selected as default printer. (☞96)

The printer printed normally with another software application

- The problem resides with the software application. Refer to the software application manual for details or call for service.
- Sometimes the problem can be solved by updating the printer driver. Before you call for service to obtain information about acquiring the latest version of the printer driver, make sure that you know the number of your current printer driver.
- Check the computer's available memory and hard disk space. (☞148) An error can be caused if there is not enough memory or sufficient free space on the hard disk. Consequently, when you execute a large print job in an environment where one or more additional software applications are open, the computer may run out memory and cannot complete the print job.

If you cannot solve the problem, before you call for service:

- Write a short memo describing the problem.
- Note of any error messages that were displayed on the screen.
- Make sure you have all the important information about your system (amount of memory, free disk space, current version number of the printer driver). (☞148)

Describing your system

Follow the simple procedures below to obtain the important information about your operating environment and printer driver that you will need before you call for service.

Obtaining the OS version number and amount of memory If you are using Windows

- 1.** Right-click the My Computer icon.
- 2.** Select Properties.
- 3.** From the General tab read and jot down the version number of your operating system and the amount of memory (RAM) installed.



If you are using Macintosh

- 1.** From the Apple menu, select About This Computer .
- 2.** Read and jot down the version number of your operating system and the amount of memory (RAM) currently installed.



Determining the amount of free disk space available

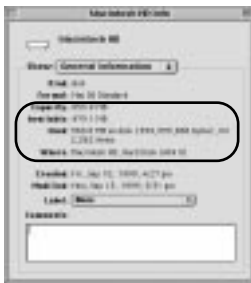
If you are using Windows

1. Double-click the My Computer icon.
2. Right-click the hard disk icon.
3. Select Properties.
4. Read and jot down the number for the amount of Free Space on the disk.



If you are using Macintosh

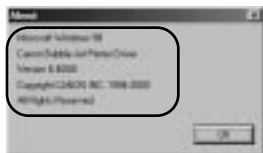
1. On the desktop, click the Macintosh HD icon.
2. From the File menu, select Get Info., then select General Information from the flyout.
3. Read and jot down the number for the amount of Available disk space.



Obtaining the version number of the printer driver

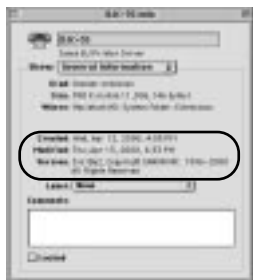
If you are using Windows

- 1.** Click the Start button, point to Settings, and click Printers.
- 2.** Right-click the Canon BJC-55 icon and select Properties.
- 3.** Click the Main tab.
- 4.** Click the About button.
- 5.** Read and jot down the version number.



If you are using Macintosh

- 1.** On the desktop, double-click the icon of the startup disk (Macintosh HD for example).
- 2.** Double-click the System folder.
- 3.** Double-click the Extensions folder.
- 4.** Select the BJC-55 icon.
- 5.** From the File menu, select Get Info, then select General Information from the flyout.
- 6.** Read and jot down the Version number of the printer driver.



Appendix A

Paper Specifications

Paper size

Letter	8.5 x 11 in.
Legal	8.5 x 14 in.
A4	210 x 297 mm
A5	148 x 210 mm
B5	182 x 256 mm
US Commercial 10 envelope	9.5 x 4.1 in.
European DL size envelope	220 x 110 mm

Paper type

<u>Media Name</u>	<u>Media Type*</u>
Plain paper	Plain Paper
Bubble Jet Paper LC-301	Plain Paper
Glossy Photo Paper GP-301	Glossy Photo Paper
Glossy Photo Cards FM-101	Glossy Photo Cards
High Resolution Paper HR-101	High Resolution Paper
Transparency CF-102	Transparency
High Gloss Film HG-101	High Gloss Film
Back Print Film BF-102	Back Print Film
T-Shirt Transfer TR-201**	T-Shirt Transfer

* This is the name of the Media Type you will see after you pull down the list for Media Type on the Paper control sheet of the Windows printer driver.

** TR-101 in the U.S.

Paper weight

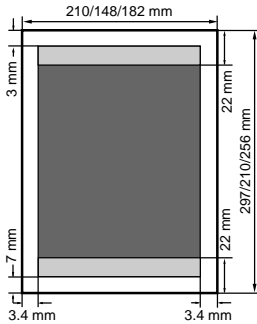
64 to 105 gsm (17 to 28 lb.)

Printing area

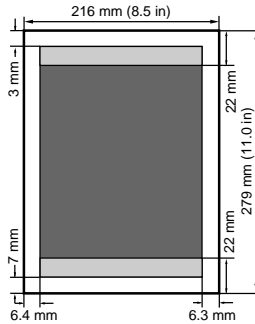
Paper and special media

The shaded portion in the following figure shows the recommended printing area for paper and special media. The printer's mechanical printing area is inside the 3 mm top/bottom margins. However, we recommend setting the margins greater than 22 mm because the print quality degrades below this.

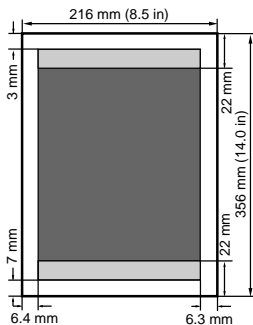
A4/A5/B5 size



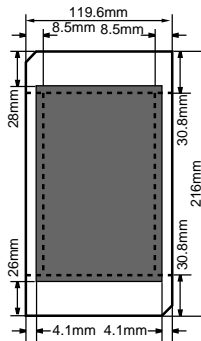
Letter size



Legal size



Glossy Photo Cards FM-101



Envelopes

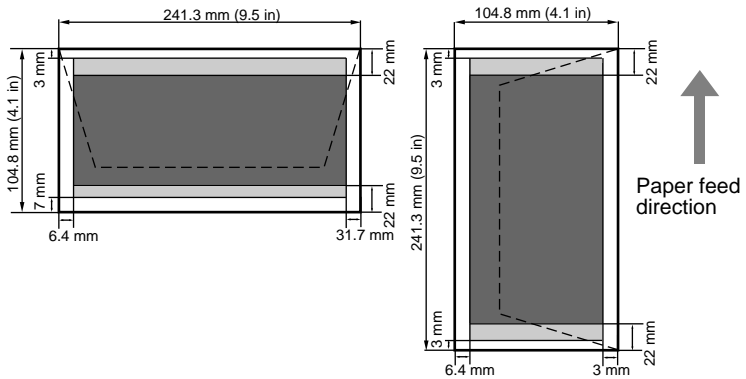
The shaded portion in the figures below shows the recommended printing areas for a US Commercial No. 10 envelope (9.5 x 4.1 in) and European DL size envelope (220 x 110 mm). The printer's maximum mechanical printing area is inside the top and bottom margins. However, we recommend setting the margins wider than 22 mm because print quality degrades below this.



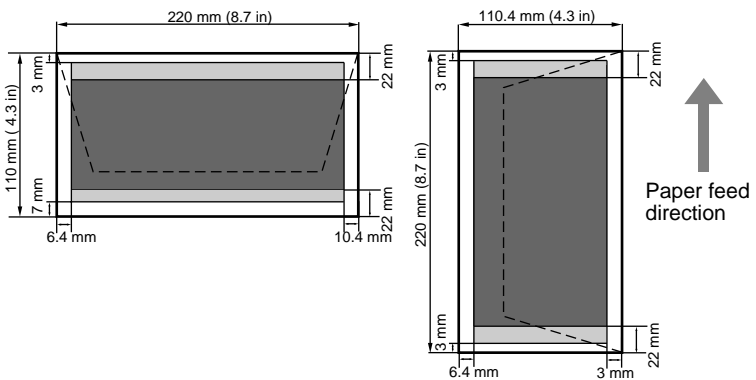
Note

The size of the printing area may vary according to settings done with the printer driver.

U.S. Commercial 10 size



European DL size





Options and Supplies

Whenever you need any of these replaceable items, contact a local Canon Authorised Dealer or your Canon representative.

Consumables

Black BJ Cartridge BC-10

Contains both a print head unit and replaceable black ink cartridge.

Ink Cartridge BCI-10 Black

Used in the Black BJ Cartridge BC-10.

Color BJ Cartridge BC-11e/BJ Cartridge BC-12e Photo

Incorporates a Bubble Jet print head and two replaceable ink cartridges: the Ink Cartridge BCI-11 Color/Ink Cartridge BCI-12 Color and the Ink Cartridge BCI-11 Black/Ink Cartridge BCI-12 Black.

Ink Cartridge BCI-11 Black/Ink Cartridge BCI-12 Photo Black

Used in the Color BJ Cartridge BC-11e/BJ Cartridge BC-12e Photo.

Ink Cartridge BCI-11 Color/Ink Cartridge BCI-12 Photo Color

Three-colour ink cartridge used in the Color BJ Cartridge BC-11e/BJ Cartridge BC-12e Photo.

Canon Li-Ion Battery LB-50

Rechargeable battery pack.

Paper and special media

Name	Media Type	Sizes
Bubble Jet Paper LC-301	Plain Paper	A4, LTR
Glossy Photo Paper GP-301	Glossy Photo Paper	A4, LTR
Glossy Photo Cards FM-101	Glossy Photo cards	119.6 x 216mm
High Resolution Paper HR-101	High Resolution Paper	A4, LTR
Transparency CF-102	Transparency	A4, LTR
High Gloss Film HG-101	High Gloss Film	A4, LTR
Back Print Film BF-102	Back Print Film	A4, LTR
T-Shirt Transfer TR-201	T-Shirt Transfer	216 x 279 mm

Available options

Canon Auto Sheet Feeder ASF-50

Allows you to stack and feed more than one sheet for printing.

Color Image Scanner Cartridge IS-12

This Scanner Cartridge turns your printer into a colour scanner.

BJ Cartridge Container SB-10

Used for storing partially used Color BJ Cartridge BC-11e, Color BJ Cartridge BCI-12e Photo or Black BJ Cartridge BC-10.

Appendix C

Universal AC Adapter AD-360U

The AC adapter is intended for use with this printer only; never attempt to use the AC adapter with appliances or equipment as a power/voltage converter in another country. The power supply cord provided with purchase is for use in the country where you purchased the printer. For other countries, you may need a power cord rated for use with the local power supply. For details, call for service.



- THE AC ADAPTER IS RATED FOR AC 100V~240V. IN LOCATIONS WHERE POWER SUPPLY IS AVAILABLE WITHIN THIS RANGE, AN INPUT-VOLTAGE CONVERTER, SWITCHING DEVICE, ETC. IS NOT REQUIRED.
- WHEN THE PRINTER IS NOT IN USE, SWITCH IT OFF AND UNPLUG THE POWER CORD FROM THE POWER OUTLET.
- NEVER ATTEMPT TO DISASSEMBLE OR REPAIR THE AC ADAPTER.
- IF THE AC ADAPTER IS ACCIDENTALLY DAMAGED, CALL FOR SERVICE.
- TO AVOID THE DUAL HAZARDS OF FIRE AND ELECTRICAL SHOCK, NEVER CONNECT THE PRINTER TO A POWER OUTLET WHERE OTHER APPLIANCES OR EQUIPMENT ARE CONNECTED.
- TO AVOID FIRE OR ELECTRICAL SHOCK, NEVER PLACE HEAVY OBJECTS ON THE POWER CORD, NEVER CUT THE POWER CORD, NEVER PULL ON THE POWER CORD TO UNPLUG IT FROM THE POWER OUTLET, NEVER WRAP THE POWER CORD AROUND ITSELF OR ANOTHER OBJECT.
- IF THE PRINTER EMITS STRANGE NOISES, ODOURS, OR SMOKE, PRESS THE POWER BUTTON TO SWITCH THE PRINTER OFF THEN IMMEDIATELY UNPLUG THE POWER CORD FROM THE POWER OUTLET. DISCONTINUE USING THE PRINTER AND CALL FOR SERVICE.
- TO AVOID FIRE OR ELECTRICAL SHOCK CAUSED BY A DAMAGED POWER CORD, NEVER PULL ON THE POWER CORD TO UNPLUG IT. WHEN UNPLUGGING THE POWER CORD, ALWAYS GRASP THE PLUG.
- TO AVOID A DANGEROUS ELECTRICAL SHOCK, HANDLE THE POWER CORD, PLUG, OR AC ADAPTER CONNECTOR WHEN YOUR HANDS ARE WET.

Universal AC Adapter AD-360U Specifications

Dimensions	58 x 118 x 25 mm (w x d x h) 2.3 x 4.6 x 1 in. (w x d x h)
Weight	approx. 205 g (0.45 lb.)
Rated input	AC100 to 240V
Rated output	DC13V 1.8A

Appendix D

Printer Specifications

Printing method	Serial Bubble Jet
Resolution (max.)	720 x 360 dpi (horizontal x vertical)
Paper Handling	Manual Feed, Auto Feed (optional Auto Sheet Feeder ASF-50 installed)
Print Speed	Black BJ Cartridge BC-10: HS 5.5 ppm HQ 5.0 ppm Color BJ Cartridge BC-11e: HS 2 ppm HQ 1.6 ppm Color BJ Cartridge BC-12e Photo : 0.1 ppm
Printing Direction	Uni-directional (or bi-directional, depending on data format)
Print Width (max.)	203 mm (8 in.)
Line Feed Speed	Approximately 70ms/line at 1/6 inch line in HQ, HS mode
Control Modes	LQ mode (LQ-510 compatible)
Line Feed Pitch	1/6, 1/8, n/180, n/360 (where “n” is programmable and 1 in./25.4 mm)
Character pitch	10 cpi, 12 cpi, 15 cpi, proportional
Cell composition	36 (H) x 48 (V) dots 10 cpi 30 (H) x 48 (V) dots 12 cpi 24 (H) x 32 (V) dots 15 cpi
Character Set	Character set1, set2
Characters per Line (max.)	10 cpi 80 chars./line 12 cpi 96 chars./line 15 cpi 120 chars./line proportional 68 to 160 chars./line
Graphic Image Print	Data format 8, 24, 48 dot format (vertical) Resolution 60, 80, 90, 120, 180, 240, 360 dpi (horizontal)

Buffer Any setting selectable but disabled when using infrared data transmission
 Input buffer approx. 25 KB, no download buffer
 Input buffer approx. 2 KB, with 23 KB download buffer

Interfaces Universal Serial Bus (USB)
 IrDA Ver. 1.1 (4M) Infra-red

Black BJ Cartridge BC-10

Print head 128 nozzles
 Ink cartridge Ink Cartridge BCI-10 Black
 Ink colour Black
 No. of printed pages
 Black approx. 270 pp./cartridge
 (1,500 characters per page, normal text, at standard and plain paper mode)

Color BJ Cartridge BC-11e

Print head 64 nozzles for black
 24 nozzles each for cyan, magenta, yellow
 Ink colour Black, cyan, magenta, yellow
 Ink cartridge Ink Cartridge BCI-11 Black
 Ink Cartridge BCI-11 Color

Ink Cartridge BCI-11

No. of printed pages
 Black approx. 160 pp.
 Colour approx. 50 pp.
 (Based on printing the ISO JIS-SCID No. 5 pattern at standard and plain paper mode)

BJ Cartridge BC-12e Photo

Print head 64 nozzles for black
 24 nozzles each for cyan, magenta, yellow
 Ink colour Black, cyan, magenta, yellow

Ink Cartridge BCI-12 Photo

No. of
printed pages

Black approx. 60 pp./cartridge

Colour approx. 20 pp./cartridge

(Based on printing the ISO JIS-SCID No. 5
pattern at SuperPhoto and High Resolution
paper mode)

Black approx. 90 pp.

Colour approx. 35 pp.

(Based on printing the ISO JIS-SCID No. 5
pattern at SuperPhoto and plain paper mode)

Acoustic Noise Level approx. 43 dB (A)

Operating Environment Temperature 5°C to 35°C (41°F to 95°F)

Humidity 10%RH to 90%RH (without condensation)

Storage Environment Temperature 0°C to 35°C (32°F to 95°F)

Humidity 5%RH to 95%RH (without condensation)

Power Source Universal AC Adapter AD-360U connected to power
source

Power Consumption Standby approx. 2.6 W

Printing 23 W (max.)

(approx. 30W using Universal AC adapter)

Charging approx. 10 W

Battery Pack Type: Lithium-ion battery

Voltage level: 10.8V DC

Size: 213.3 x 28.5 x 20.6 mm

Weight: Approx. 160 g

Dimensions 302 mm (11.9 in.) x 112.5 mm (4.4 in.) x 50 mm (2 in.)
(W x D x H)

Weight approx. 0.9 kg (2.0 lb.) including battery

System Requirements to see documents in the Setup Software & Reference Guide CD-ROM

The following are a list of the minimum hardware and software required to see documents in the Setup Software & Reference Guide CD-ROM.

For Windows:

Operating System	Windows 98, Windows 95 or Windows NT 4.0 (Can be viewed on Microsoft Windows 2000)
CPU	Intel I486 or Pentium R, or a 100% compatible CPU
RAM	For Windows 98/Windows 95: 16MB or more For Windows NT 4.0: 32MB or more
Hard Disk Space	Adobe Acrobat Reader must be installed to view the Reference Guide. To install Adobe Acrobat Reader from the Setup Software & Reference Guide CD-ROM, at least 15MB of free hard disk space is required.
Display Resolution	640 x 480 (VGA) or higher
Number of Display Colours	High Colour (recommended) / 256 colours (minimum)
CD-ROM Drive	4x or faster (recommended) /2x (minimum)

For Macintosh:

Operating System	Mac OS 8.1 or later
CPU	Power PC processor
RAM	6.5MB or more
Hard Disk Space	Adobe Acrobat Reader must be installed to view the Reference Guide. To install Adobe Acrobat Reader from the Setup Software & Reference Guide CD-ROM, at least 15MB of free hard disk space is required.
Display Resolution	640 x 480 (VGA) or higher
Number of Display Colours	High Colour (recommended) / 256 colours (minimum)
Reference Guide environment	In order to open and read the Reference Guide provided on the CD-ROM, Adobe Acrobat Reader 4.0 is recommended. With Windows 2000 you must use Acrobat Reader 4.0. If you use Adobe Acrobat 3.0, some of the icons on your screen may be different.

Glossary

A4 size paper

A paper size: 210 mm x 297 mm. This printer accepts A4 paper.

AC

Alternating current. The type of electrical current available from a wall outlet.

ASCII

Acronym for American Standard Code for Information Interchange. A set of definitions for the bit composition of characters and symbols. ASCII defines 128 symbols using 7 binary bits and 1 parity bit.

Auto Power Off

A power save feature that switches off the printer automatically if the printer does not receive a print job over 30 minutes. The Auto Power Off feature is switched off and on with the printer driver.

battery pack

The Canon Li-Ion Battery LB-50 is a rechargeable battery installed inside the printer.

binary

A number system consisting of two digits (0 and 1).

bit

Shortened form “binary digit”. The elemental unit of digital information. Written as either 1 or 0.

BJ Cartridge

The BJ Cartridge is composed of the print head unit and ink cartridge. This removable cartridge makes maintenance of the printer very simple.

Bubble Jet printer

An ink jet type printer that heats the ink to a boiling point in a nozzle to form a bubble. When the bubble expands, there is no room left in the nozzle for the ink which is ejected onto the paper.

buffer

A temporary storage area in computer or printer memory in which data for input or output is stored until it can be processed.

byte

A unit of eight bits. A byte is approximately equivalent to a character.

cartridge holder

A unit that holds the BJ Cartridge and its ink cartridges. The cartridge holder moves backwards and forwards when the printer is operating and remains at rest in the home position on the left side of the printer when the printer is not in use.

character

Any symbol that has a widely understood meaning and can thus convey information. Some characters, such as letters, numbers, and punctuation marks, are printable.

CMYK

An acronym for Cyan, Magenta, Yellow and black, the four colours used in the standard colour model of the printing industry.

Commercial 10 (US Commercial)

A common size of envelope: 9.5 x 4.1 inches or 241 x 105 mm.

composite black

The composite black colour formed by mixing cyan, yellow, and magenta ink so that they appear almost black on a print out.

configuration

The defining of certain printer settings to allow the printer to communicate properly with your computer.

cpi

Characters per inch. A unit of measurement relevant to a fixed-space font. Because all characters have the same width, you can calculate the number of characters printed per inch.

cpl

Characters per line. A unit of measurement that indicates the number of characters printed per line.

cps

Characters per second. A unit of measurement that indicates the printer's speed.

dB

Stands for decibel level (a decibel being a unit of measurement for the intensity of the sound), adjusted for background noise.

default setting

A printer setting selected at the factory and permanently registered in the printer's ROM. It is a setting that the printer assumes unless you provide instruction to the contrary. For example, the default printer control mode on this printer is BJ mode.

dithering

A method by which colour dots are combined on a page to produce a wide spectrum of colours.

dot matrix

A pattern of dots arranged in a matrix, used for creating alphanumeric strings, punctuation, and special characters. A matrix is described by the number of rows and columns it has, for example, 9 x 12 (108 cells).

download buffer

An area of the printer's memory that holds downloaded font information.

downloading

The process of transferring fonts from the computer to the printer's memory. These transferred fonts can be stored in the printer until it is turned off.

dpi (dots per inch)

A unit of measurement for indicating printer resolution. The standard resolution for your printer is 360 dpi in the HQ mode. In the smoothing mode, resolution up to 720 x 360 dpi can be achieved.

factory default

Factory defaults refer to the settings that are selected for the printer at the factory. These settings are used unless you override them by sending escape sequences.

fixed pitch spacing

Equal spacing for each characters of the same character set. In printing a fixed pitch font, each character, whether narrow or wide, takes up the same amount of space.

fixed pitch font

A font in which all characters take up the same amount of space. An "i" takes as much space as a "w".

font

A complete set of characters of the same size and style; a particular implementation of a typeface. For example, 12 point, Courier bold.

font characteristics

Font characteristics determine the appearance of a printed font. These characteristics include orientation, character height, style, stroke weight, and typeface.

form feed

A printer function that automatically ejects the current page and advances the printer to the top of the next page.

graphic

A written, printed, or electronically displayed symbol or drawing. Also characters or text that has been generated by a computer graphics application program.

greyscale

The variation of colour between black and white as a result of different intensities of black ink.

halftone

Shades of grey or shades of colours produced by mapping dots to be printed. For colour printing, different coloured dots of ink are placed closely together to create illusions of other colours.

High Quality (HQ) mode

One of the print modes available on this printer. Print speed is 346 cps at 10 cpi.

High Speed (HS) mode

One of the print modes available on this printer. Print speed is 434 cps at 10 cpi.

home position

This term refers to the position of the cartridge holder when it is at rest on the far left side of the platen. In this position, the print head is always capped to keep it from drying out. The cartridge holder moves out of the home position when the printer starts printing or after you press the **CARTRIDGE** button to move it out so you can remove the BJ Cartridge.

host computer

The computer that is connected to a printer and can be used to drive the printer when the printer is on-line.

hue

A colour in the colour spectrum. Examples are red, green, and violet.

ink jet printer

A non-impact printer that ejects ink onto paper to form characters. This printer is a special type of ink jet printer called a Bubble Jet printer.

input buffer

An area of the printer's memory containing the data that has been sent to the printer.

interface

The connection between two devices that makes it possible for them to communicate with each other. The printer features a USB interface, which makes it compatible with IBM and similar personal computers. In order to connect the printer and computer via the USB interface, you must use the USB interface cable.

interface port

The printer is provided with a parallel and an IrDA port on the left side of the printer.

internal fonts

Internal fonts are fonts permanently stored in the printer.

IrDA

Infra-red Data Association. The standard for the infra-red wireless communication. This printer has IrDA1.1 which allows a maximum data transfer of 4Mbps.

IS scanner driver

The software required to scan originals with the Color Image Scanner Cartridge IS-12.

kilobyte (kB)

A unit of measurement, representing the binary number 1024, used to describe printer or computer memory size in 1024-byte units.

landscape orientation

Landscape orientation refers to printing across the length of the page, as opposed to portrait orientation, which is printing across the width of the page.

Legal size paper

A paper size: 8.5 x 14 inches. This printer accepts this size of paper.

Letter size paper

A paper size: 8.5 x 11 inches. This printer accepts this size of paper.

line feed

A printer function that advances the paper one line.

lpi

Lines per inch. The measurement used in describing the number of lines that will print within one vertical inch. Most printing is done in 6 or 8 lpi.

noise level

See dB.

non-impact printer

Printers, such as Bubble Jet, ink jet, thermal, and laser printers, that form characters by means other than striking the character against the paper. These printers run more quietly than dot matrix and formed-character printers. Your printer is a non-impact printer.

page orientation

Orientation refers to the direction of print on the page. Printing across the width of a page is called portrait orientation printing. Printing across the length of a page is called landscape orientation printing.

paper feed

Refers to guiding a sheet of paper into the printer's paper path.

paper jam

Paper is caught along the paper path. You must remove jammed paper before you can continue printing.

parallel interface

An interface that transmits multiple bits simultaneously (usually in one-byte segments).

PC

Personal computer

pitch

Refers to the number of characters per inch that can be printed using a fixed-space font.

platen

Printer component that holds the paper near the print head during ink transfer.

point size

Character height is defined in points; one point is 1/72 inch. For instance, this text is printed using a 10 point font.

printer cable

The cable used to connect your printer and a computer.

printing area

The area of a sheet of paper on which a printer can reproduce text or graphics. The printing area is smaller than the paper.

print head capping

An automatic protection function that prevents the print head unit and ink cartridges from drying out or becoming clogged with dust.

Print mode

The print mode setting determines how the printer operates. Set the print mode according to the type of printing you want to do and the type of media you are using. There are three print modes: HQ (High Quality), HS (High Speed), and FINE.

printer command

A printer command is also called an escape sequence. Refer to the definition for Escape Sequence.

printer driver

Software that sends printing instructions to a printer. The printer driver keeps track of the attributes of a printer and the codes the program must send to access those attributes.

proportionally spaced font (PS font)

A font in which each character is given an amount of space proportional to its size: less for an “i” and more for a “w”.

proportional spacing

The spacing of characters according to the width of each character. This variable spacing between each character closes up awkward-looking gaps and makes the text easier to read.

RAM

Random Access Memory. Printer memory that is used for temporary storage of information you want to print and for downloaded fonts.

resident font

A font that is built into the printer, as opposed to one that must be downloaded from your computer. Resident fonts are stored in ROM.

resolution

The density of dots for any given output device. Expressed in terms of dots per inch (dpi). Low resolution causes font characters and graphics to have a jagged appearance. Higher resolution means smoother curves and angles as well as a better match to traditional typeface designs. This printer can normally produce output with 360 dpi resolution. When you see a value given for resolution, the resolution for the horizontal direction is given first and the vertical direction second. For example, 720 x 360 dpi means 720 dots horizontally and 360 dots vertically. The maximum 720 x 360 dpi print resolution for this printer can be attained with a Black BJ Cartridge BC-10 while the smoothing function turned on.

ROM

Read Only Memory. You cannot modify this printer memory. When the printer is turned off, ROM memory remains intact. In this printer, the default settings and the resident fonts are stored in ROM.

saturation

The amount of hue of a colour. The further the particular hue moves away from the center of the colour wheel, the more saturated it is.

software application

Software prepared for a specific function or set of functions. Examples of applications are word processing, graphics preparation, and spreadsheets. Programmers who prepare application programs include printer drivers that support different types of printers.

spacing

All fonts are designed with either fixed or proportional spacing. Using fixed spacing, all character cells are the same width. Using proportional spacing, character cell width depends on the character size.

subscript

One or more characters printed one-half line below the normal printing line. See also Superscript.

superscript

One or more characters printed one-half line above the normal printing line. See also Subscript.

text mode

The mode the printer is in when it is printing text.

text scale mode

The mode that reduces the line spacing by a factor of 14/15 (from 62 to 66 lines per page if line spacing is set to 6 lines per inch). This provides compatibility with software that assumes 66 lines will fit on each page.

top-of-form (TOF)

The printing position at the start of a new page.

true black

Contrary to “composite black”, true black colour on a printout is obtained with the use of black ink.

TrueType font

The scalable font technology built into Microsoft Windows 98/Windows 95 and other software programs. It offers you the same font images on both computer displays and printer outputs.

typeface

The design of characters. For instance, Courier, Roman, Gothic, Prestige, and Draft typefaces all print characters of different designs.

typestyle

Refers to how the type face appears: slanted (italic) or upright.

USB

Denotes Universal Serial Bus, a new, high-speed serial interface for transferring data between the computer and an external device.

Index

A

- AC adapter
 - Universal AC Adapter AD-360, 158
- application error, 104
- Auto Sheet Feeder ASF-50
 - described, 24, 25
 - selecting, 107

B

- Back Print Film BF-102
 - correct print side, 49
 - described, 21
 - uses, 48
- battery
 - safety, 11
 - see also "battery pack", 28
- battery pack
 - described, 24, 25
 - inserting, 29
 - installing, 28
 - not charging, 135
 - recharging, 60
 - removing before transport, 87
 - replacing, 60, 62
 - safety guidelines, 30
- battery pack release
 - described, 24, 25
- BJ Cartridge Container SB-10
 - described, 20
 - option, 23
 - storing BJ Cartridges, 53
- BJ Cartridges
 - Black BJ Cartridge BC-10, 20, 67
 - changing, 51
 - Color BJ Cartridge BC-11e, 19, 67
 - Color BJ Cartridge BC-12e Photo, 19
 - handling guidelines, 38
 - installing, 37, 38
 - installing procedure, 39

- removing for Scanner Cartridge, 78
- replacing, 72
- specifications, 161, 162
- storing safely, 15
- Black BJ Cartridge BC-10
 - described, 20, 67
 - installing, 38
- blurred prints, 133
- Bubble Jet Paper LC-301
 - correct print side, 49
 - described, 21

C

- Canon Auto Sheet Feeder ASF-50
 - option, 23
- Canon Li-Ion Battery LB-50
 - described, 22
 - inserting, 29
 - installing, 28
 - recharging, 60
 - replacing, 60, 62
 - safety guidelines, 30
- CARTRIDGE button
 - described, 26
- CHARGE/ERROR lamp
 - described, 26, 28
 - flashing, 136
- Chooser
 - selecting printer for Macintosh, 98
- cleaning
 - inside printer, 84
 - outside printer, 84
 - print head, 85
 - printer, 83
 - printer safety, 12
- Color BJ Cartridge BC-11e
 - described, 19, 67
 - installing, 37
- Color BJ Cartridge BC-12e Photo
 - described, 19

installing, 37

Color Image Scanner Cartridge IS-12

- described, 20
- option, 23
- see also "Scanner Cartridge", 74

colors

- adjusting, 121

colours

- broken, uneven, 124
- faded, 92
- screen, printout do not match, 120

connecting

- interface connections, 18

curling, 134

D

default

- printer settings, 57

default printer, 94

device

- removing, 103

disconnecting

- USB interface cable, 17

E

envelopes

- preparing for loading, 46
- printing area, 154
- sizes allowed, 48
- types not allowed, 47

error messages

- summary table, 91

Error Number 300, 140

F

feed slot

- described, 24, 25

front cover

- described, 24, 25

G

general protection fault, 104

Glossy Photo Cards FM-101

- correct print side, 49
- described, 22
- printing area, 153
- uses, 47

Glossy Photo Paper GP-301

- correct print side, 49
- described, 21
- uses, 47

greyscale

- switching off, 122, 123

H

High Gloss Film HG-101

- correct print side, 49
- described, 22
- uses, 47

High Resolution Paper HR-101

- correct print side, 49
- described, 21
- uses, 47

I

infra-red

- aligning computer, printer, 36
- cannot print, 115
- checking connection, 116
- confirming driver installation, 34
- data transmission, 33
- setting up, 33
- transceiver port, 116
- using data transmission, 35

Ink Cartridge BCI-10 Black

- described, 67
- inserting in BJ Cartridge, 71
- replacing, 70

Ink Cartridge BCI-11 Black

- described, 19, 67
- inserting in BJ Cartridge, 71
- replacing, 69

Ink Cartridge BCI-11 Color

- described, 19, 67
- inserting in BJ Cartridge, 71
- replacing, 69

Ink Cartridge BCI-12 Black

- described, 19
- inserting in BJ Cartridge, 71
- replacing, 69

Ink Cartridge BCI-12 Color

- described, 19
- inserting in BJ Cartridge, 71
- replacing, 69

ink cartridges

- handling, 66
- Ink Cartridge BCI-10 Black, 20
- Ink Cartridge BCI-11 Black, 19
- Ink Cartridge BCI-11 Color, 19
- Ink Cartridge BCI-12 Black, 19
- Ink Cartridge BCI-12 Color, 19
- replacing, 66, 68, 69
- specifications, 161, 162

installing

- battery pack, 28
- BJ Cartridges, 37, 38, 39
- infra-red driver, 34
- Macintosh scanner driver, 77
- printer driver, 31, 33
- Scanner Cartridge, 74, 80
- Windows scanner driver, 75

interface

- checking connections, 95
- connection options, 18
- infra-red (IrDA), 35

IrDA interface

- described, 26

IrDA wireless interface

- see "infra-red", 33

L

low-ink warning

- setting, 64
- switching off, 65

M

manual feed

- selecting, 108
- setting paper, 107

media

- see "print media", 21

N

nozzle check pattern

- faded, 92
- printing, 56
- sample print, 58

O

operation panel

- described, 24, 25, 26, 27
- staring print head cleaning, 85

options

- BJ Cartridge Container SB-10, 23
- Canon Auto Sheet Feeder ASF-50, 23
- Color Image Scanner Cartridge IS-12, 23
- described, 19, 23
- listed, 157

P

paper

- loading, 48
- printing area, 153
- specifications, 152

paper guide

- described, 24

paper jam

- removing, 118

paper output slot

- described, 26

plain paper

- uses, 47

power

- switching printer on/off, 32

POWER button

- described, 26

power connector

- described, 24, 25

power cord

- safety, 14

POWER lamp

- described, 26, 27

power lock switch

- described, 24, 25
- switching off, 129

power outlet

- safety, 10

power supply

- Canon Li-Ion Battery LB-50, 22
- Universal AC Adapter AD-360, 22

print head

- cleaning, 85

print media

- Back Print Film BF-102, 21
- Bubble Jet Paper LC-301, 21
- correct print side, 49
- curling, 134
- envelopes, 46

- Glossy Photo Cards FM-101, 22
 - Glossy Photo Paper GP-301, 21
 - handling, 44
 - High Gloss Film HG-101, 22
 - High Resolution Paper HR-101, 21
 - listed available, 157
 - loading, 48
 - print jobs, 47
 - print side, 49
 - printing area, 153
 - printing correct side, 93
 - selecting, 45, 47
 - specifications, 152
 - storing, using, 46
 - T-Shirt Transfer TR-101 (U.S.), 22
 - T-Shirt Transfer TR-201, 22
 - Transparencies CF-102, 21
- print quality, 112
- print side
- Back Print Film BF-102, 49
 - Bubble Jet Paper LC-301, 49
 - Glossy Photo Cards FM-101, 49
 - Glossy Photo Paper GP-301, 49
 - High Gloss Film HG-101, 49
 - High Resolution Paper HR-101, 49
 - T-Shirt Transfer TR-101 (U.S.), 49
 - T-Shirt Transfer TR-201, 49
 - Transparencies CF-102, 49
- printer
- arranging for infra-red, 36
 - cleaning, 83
 - converted to scanner, 18
 - default settings, 57
 - features, 18
 - installing battery pack, 29
 - installing driver, 31
 - interface connections, 18
 - moving, 86
 - options, 19, 23
 - printing list of current settings, 56
 - resolution, 18
 - specifications, 160
 - supplies, 19
- printer driver
- cannot install, 102
 - checking installation, 101
 - installing, 31
 - installing, using, 33
 - printer port
 - selection, 96
 - printer settings
 - sample print, 58
 - test print, 56
 - printing area
 - envelopes, 154
 - Glossy Photo Cards FM-101, 153
 - standard sizes, 153
-
- R**
- resolution
 - maximum, 18
 - RESUME button
 - described, 26, 27
 - rotated text, 109
-
- S**
- safety
 - AC adapter, 159
 - battery, 11
 - battery pack, 30
 - cleaning printer, 12
 - location, 9, 13
 - power cord, 14
 - power outlet, 10
 - storing BJ Cartridges, 15
 - transporting printer, 13
 - scanner
 - converting printer to, 18
 - Scanner Cartridge
 - Color Image Scanner
 - Cartridge IS-12, 20
 - installing, 74, 80
 - installing Macintosh driver, 77
 - installing Windows driver, 75
 - removing, 81
 - removing BJ Cartridge, 78
 - scanner driver
 - installing for Macintosh, 77
 - installing for Windows, 75
 - smudged prints, 133
 - specifications
 - paper, 152
 - printer, 160
 - spooling, 100

supplies
described, 19
listed consummables, 156
switching on/off
printer, 32

T

T-Shirt Transfer TR-101 (U.S.)
correct print side, 49
described, 22
uses, 48
T-Shirt Transfer TR-201
correct print side, 49
described, 22
uses, 48
test prints
samples, 58
starting, 56
top cover
described, 24
Transparencies CF-102
correct print side, 49
described, 21
uses, 47
transporting
printer, 86
printer, safety, 13
troubleshooting, 88
background printing, 143
battery not charging, 135
BJ Cartridge home position, 113
black and white only, 122
blurred printout, 133
cannot install printer driver, 102
CHARGE/ERROR lamp
flashing, 136
Chooser selection, 144
colours, 120, 121
colours broken, uneven, 124
curling, 134
Error Number 300, 140
infra-red, 115
infra-red port, 99
manual feed, 107
mis-feed, 118
nothing prints, 130
paper jam, 118

paper skew, 118
poor connections, 95
power off, 128
power on, 128
print job does not complete, 105
print job will not start, 96
print quality, 112
printer driver installation, 101
printing beyond bottom, 126
printing beyond edge, 126
printing halts, 131
printing on correct side, 93
removing a device, 103
service call, 145
smudged printout, 133
strange characters, 94
text missing, 126
text rotated, 109
Type xx Error, 141
USB printer driver installation, 103
USB printer port selection, 97
USBPRNxx write error, 100
vertical lines broken, 111
white streaks, 92
Type xx Error, 141

U

Universal AC Adapter AD-360
described, 22, 158
safety guidelines, 159
USB
checking driver installation, 103
connecting, 17
controller, 103
disconnecting, 17
hub, 17
important notes, 17
removing a device, 103
selecting printer port, 97
USB interface connector
described, 26

V

vertical lines broken, 111

W

white streaks, 92



CANON INC.

30-2, Shimomaruko 3-chome, Ohta-ku, Tokyo 146-8501, Japan

CANON COMPUTER SYSTEMS, INC.

2995 Redhill Ave., Costa Mesa, CA 92626, U.S.A.

CANON CANADA INC.

6390 Dixie Road, Mississauga, Ontario, L5T 1P7, Canada

CANON EUROPA N.V.

P.O.Box 2262, 1180 EG, Amstelveen, The Netherlands

CANON (UK) LTD.

Woodhatch, Reigate, Surrey, RH2 8BF, United Kingdom

CANON FRANCE S.A.

17, Quai du Président Paul Doumer, 92414 Courbevoie Cedex, France

CANON DEUTSCHLAND GMBH

Postfach 528, 47705 Krefeld, Germany

CANON LATIN AMERICA, INC.

6505 Blue Lagoon Drive Suite 325, Miami, Florida 33126 U.S.A.

CANON HONGKONG COMPANY LTD.

9/F, The Hong Kong Club Building, 3A Chater Road, Central, Hong Kong

CANON SINGAPORE PTE. LTD.

79 Anson Road #09-01/06, Singapore 079906

CANON AUSTRALIA PTY. LTD.

1 Thomas Holt Drive, North Ryde, Sydney, N.S.W. 2113, Australia



Free Manuals Download Website

<http://myh66.com>

<http://usermanuals.us>

<http://www.somanuals.com>

<http://www.4manuals.cc>

<http://www.manual-lib.com>

<http://www.404manual.com>

<http://www.luxmanual.com>

<http://aubethermostatmanual.com>

Golf course search by state

<http://golfingnear.com>

Email search by domain

<http://emailbydomain.com>

Auto manuals search

<http://auto.somanuals.com>

TV manuals search

<http://tv.somanuals.com>