



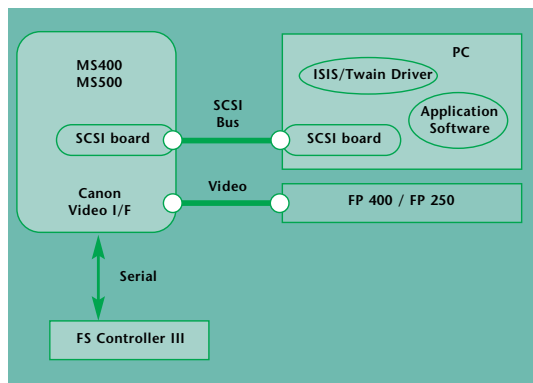
Canon

Imaging across networks

MS 400 MS 500

DIGITAL MICROFILM
SCANNERS





Digital versatility

Effortless conversion to a PC combines the benefits of both computer database and microfilm storage - which is the key to integrating your document management systems.

Simple Operation

Manual operation is made simple with the MS400. The MS500 features an external keyboard for motorised zoom, rotation and focusing preferences. The optional FS Controller I or III with an ergonomic keyboard makes search, retrieval, and printing fast and uncomplicated.

Image polarity detection

This feature automatically detects the image polarity of both silver and diazo film. Positive prints are produced from both positive and negative film. At a super-sharp 400 dpi!

Remote Keyboard

The ergonomic remote keyboard of the MS500 with motorised zoom, rotation, and focus ensures comfort, productivity, and efficiency; especially for those large-volume tasks requiring extra time and energy.

Improve efficiency, switch to digital

The MS400 and MS500 present superior microfilm search and retrieval.

Not only compact and easy, desktop editing, and sophisticated image adjustment capabilities are additional features. Clean document printing up to A3 is always assured.

The SCSI II Interface and ISIS or TWAIN drivers enable convenient connection to a PC.

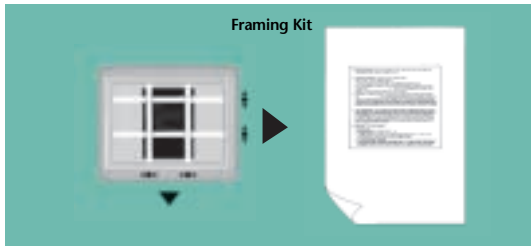
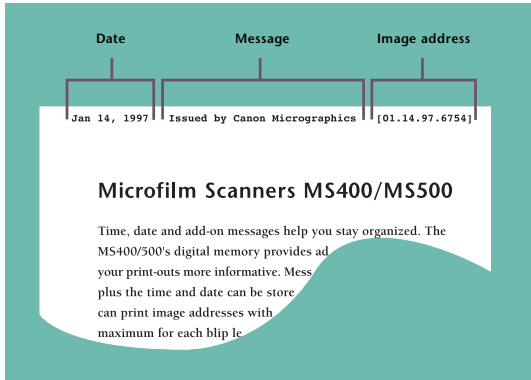


Image rotation and trimming

An optional Framing Kit allows original film images to be trimmed down to print out only the necessary part of images.

Add-on messages

To increase efficiency of print management, messages of up to 33 characters can be added to printouts. Plus time and date specific details.



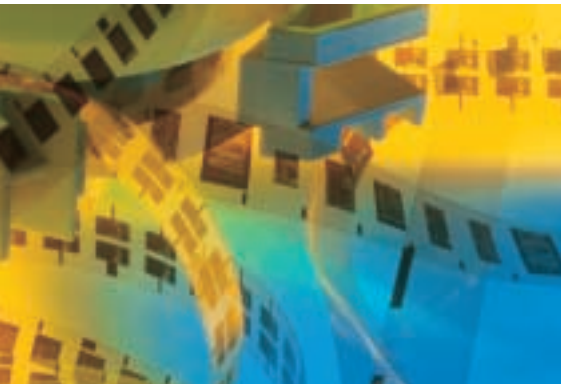
Clean printouts

Both the MS400 and MS500 provide border erasure and optional trimming function to eliminate unnecessary sections of images. This saves print costs by reducing toner usage and assures clean printouts.

FS Controller III

Canon's optional FS Controller III is the perfect partner for the MS400 or the MS500. Offering fingertip access with an easy-to-read 16-digit 'interactive' keyboard. Fully automatic search and retrieval features. Plus advanced memory-printing features. For unparalleled efficiency and productivity in microfilm management.





Main features MS400 / MS500

- High 400 x 400 dpi resolution
- Less than 8 sec. per frame scanning
- 16 mm and 35 mm roll or cartridge film
- Microfiche, jacket film and aperture card
- Optional SCSI II I/F with ISIS™ and TWAIN Driver
- Automatic image polarity detection
- Image trimming and boarder erasure
- Add-on printing of time, date and messages

Additional features MS500

- Motorised zoom / focus / rotation
- Remote keyboard
- 90 degree Image rotation printing

Making the most of microfilm:

Canon's MS400 and MS500 Digital Microfilm Scanners scan all types of microfilm in no time at all. Fast and versatile, they offer a wide range of advanced scanning and printing features, with easy microfilm image conversion to digital environment. Plus – the optional FS Controller III – guarantees maximum efficiency in searching, scanning, and printing.

SPECIFICATIONS MS400/MS500

Type: desktop digital microfilm scanner
Film: both negative and positive images of silver or diazo film

Screen (H x W): 300 x 300 mm

Scanning method: digital scanning at 400 dpi by BASIS contact image sensor

Scanning speed: less than 8 seconds

Image rotation / focusing / zooming: manual (MS400)
motorised (MS500)

Exposure control: automatic or manual

Multiprint (with LBP): Up to 99 prints

Border erasure: automatic with frame or without frame

Add-on print: date: time, date, month and year
message: up to 33 alphanumeric characters or symbols

90-degree rotation print: MS500 only

Image polarity detection: automatic/manual

Image trimming: through control panel or cursor of optional framing kit

Light source: 20V 150W halogen lamp

Dimensions (H x W x D): 668 x 442 x 541 mm

Weight: approx. 26 Kg (MS400)

approx. 28 Kg
(MS500 with keyboard – 0.8 Kg)

OPTIONS

- **Interchangeable carriers:**
 - FC190RII for fiche and aperture cards
 - AC100R for 16 mm and 35 mm roll films
 - AC100C for ANSI and 3M type 16 mm cartridges
 - AC100M for 3M type 16 mm cartridges
 - RFC200 for fiche, aperture cards, 16/35 mm roll films
 - FS Controller I & III for automatic film retrieval of ANSI and 3M type 16 mm cartridges (FSC-I requires one of optional sensor units.) (All carriers except FC190RII and FSC-III requires Installation Kit M.)
- **Interchangeable lenses:**
 - 7X, 9.5-16X, 10-24X, 16-32X, 30-55X for MS400 (A lens holder comes with these lenses.)
 - 7X, 9.5-16X, 10-24X, 16-32X, 20-48X, 30-55X for MS500 (A separate lens holder to be used with all these lenses is supplied with main unit of MS500.)

Other options:
Installation Kit M
SCSI I/F Kit with ISIS and TWAIN Driver
Framing Kit for MS400/500
MPC 4.0 Print Controller
FP400
FP250



SPECIFICATIONS FP 400

Type: Desktop page printer

Print Speed: 9 pages per minute, A4 size

Warming-up time: less than 9 seconds

First print: approximately 16 seconds

Resolution: 400 dpi

Paper supply: Standard cassette for 250 sheets

A4- R, B4 or A3

Optional feeder/cassette for 500 sheets

A4- R, B4 or A3

Paper tray for 100 sheets A4-R, B4 or A3

Dimension (HxWxD): 300 x 490 x 502 mm (main body)

300 x 490 x 610 mm

(with 250 sheets cassette)

446 x 490 x 656 mm

(with 500 sheets feeder/cassette)

Weight: approx. 23 Kg with 250 sheets cassette

approx. 32 Kg with 500 sheets feeder/cassette

SPECIFICATIONS FP 250

Type: Desktop page printer

Print Speed: 8 pages per minute, A4 size

Warm-up time: less than 9 seconds

First print: 20 seconds

Resolution: 600 dpi (scanning resolution is 400 dpi)

Paper size: A4-R, B5-R

Paper supply: By tray for 125 sheets A4 or B5

Paper delivery tray: up to 50 sheets with face down

Dimensions (HxWxD): 267 x 345 x 312 mm

Weight: approx. 6.4 Kg without toner cartridge

™ All company and/or product names are trademarks and/or registered trademarks of their respective manufacturers in their markets and/or countries

Canon reserves the right to change specifications without notice.

Canon

Imaging across networks

Canon Electronics Inc.
1248 Shimokagemori, Chichibu-shi,
Saitama, 369-1892, Japan
www.canon.com

Europe, Africa and Middle East

Canon Europe Ltd
6 Roundwood Avenue
Stockley Park
Uxbridge
Middlesex UB 11 1H2
United Kingdom
www.canon-europa.com



Canon Europa NV
Conservation Partner

English Edition 0023W584
© Canon Europa N.V., 2001 (0701)

Download from www.Somanuals.com. All Manuals Search And Download.

Free Manuals Download Website

<http://myh66.com>

<http://usermanuals.us>

<http://www.somanuals.com>

<http://www.4manuals.cc>

<http://www.manual-lib.com>

<http://www.404manual.com>

<http://www.luxmanual.com>

<http://aubethermostatmanual.com>

Golf course search by state

<http://golfingnear.com>

Email search by domain

<http://emailbydomain.com>

Auto manuals search

<http://auto.somanuals.com>

TV manuals search

<http://tv.somanuals.com>