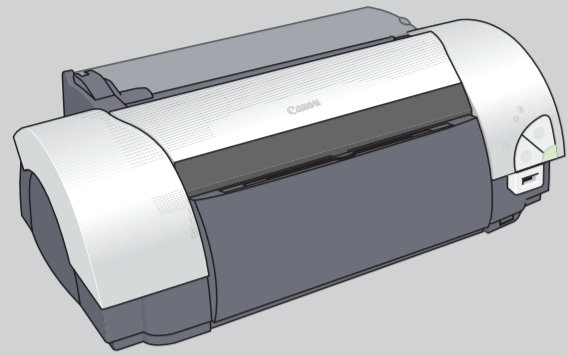


## 1 Unpack the Printer

- Carefully remove all items from the box.



i9900 Series Photo Printer



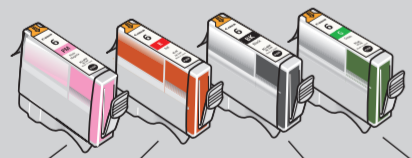
Documentation and Software Kit



i9900 Series Print Head

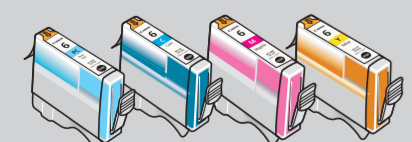


Power Cord



Ink Tanks

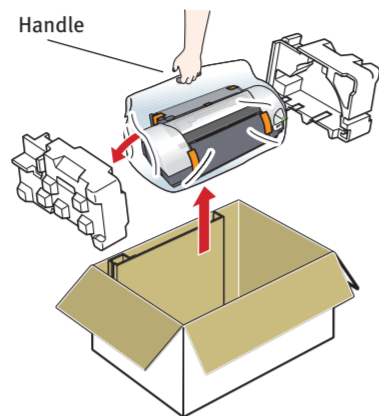
BCI-6R Red BCI-6BK Black BCI-6M Magenta BCI-6C Cyan



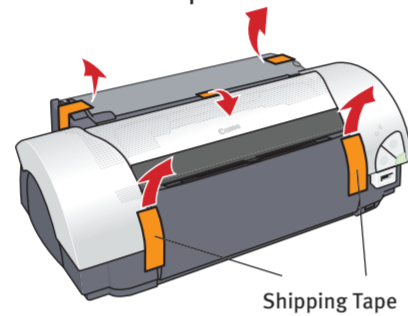
BCI-6PC Photo Cyan BCI-6M Magenta BCI-6Y Yellow BCI-6C Cyan

## 2 Prepare the Printer

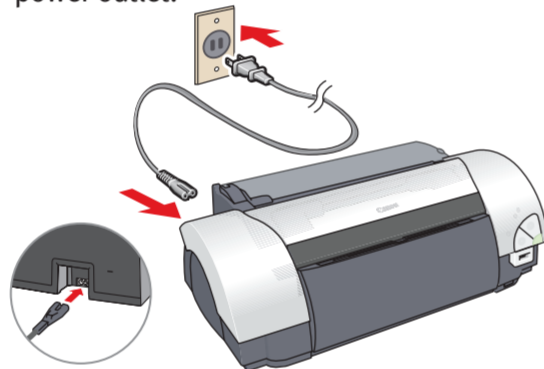
- Remove the printer from the box by using the plastic bag handle.



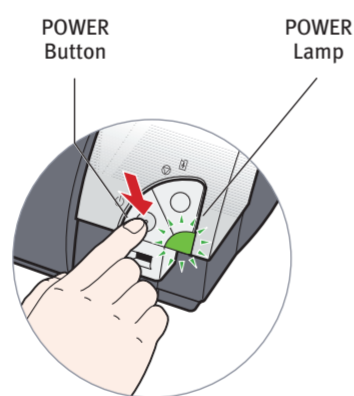
- Remove the shipping tape from the front and back of the printer.



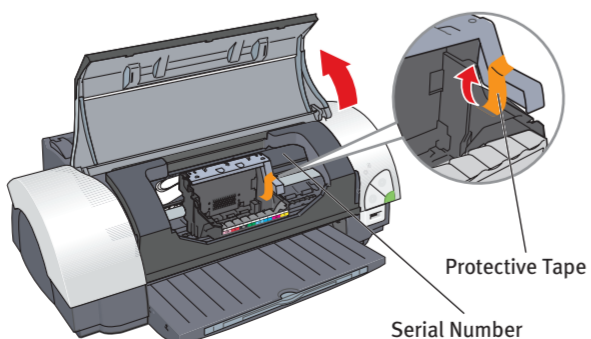
- Plug the power cord into the back of the printer and connect the other end to a power outlet.



- Press the POWER button. The printer will initialize.



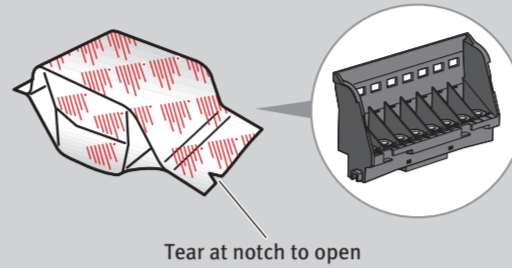
- Open the front cover. The print head holder automatically moves to the center. Remove the protective tape.



- Write down the serial number located to the right of the print head holder. You will need this later to register the product.

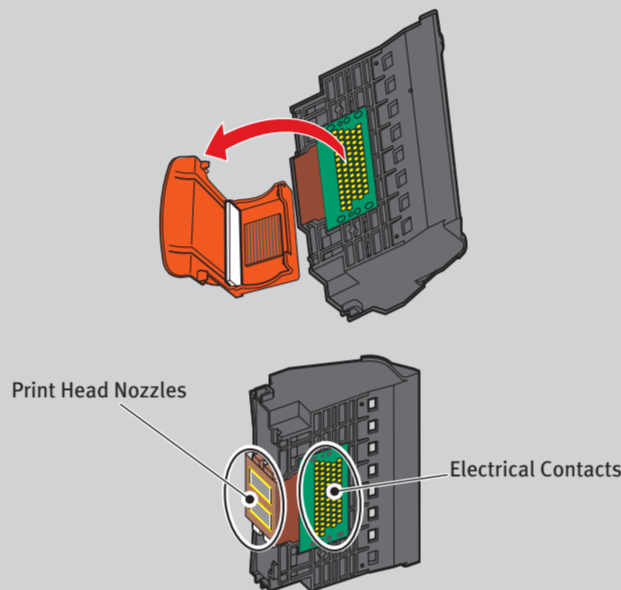
## 3 Install the Print Head

- Remove the print head from its package.

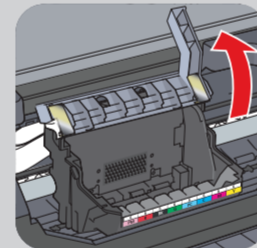


- Remove the orange protective cap from the print head.

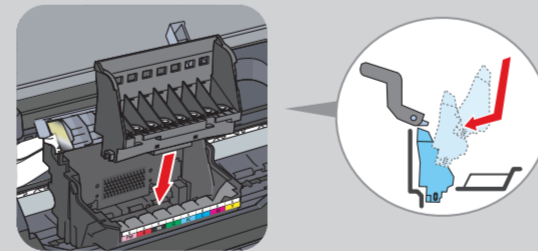
**NOTE:** Do not touch the print head nozzles and the electrical contacts.



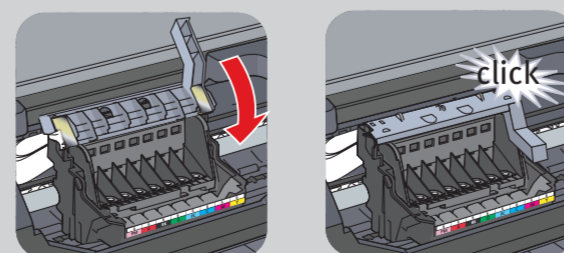
- Raise the gray lock lever on the printer.



- Slide the print head into the holder. The print head will rest at a slight angle.

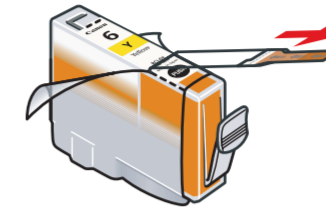


- Lower the lock lever and press it down until it clicks into place.



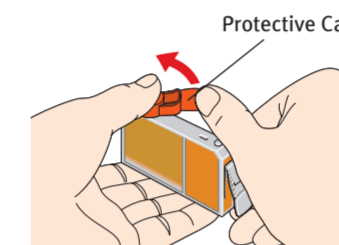
## 4 Install the Ink Tanks and Load Paper

- Peel back the orange tab and completely remove the plastic wrapper from the Yellow Ink Tank (BCI-6Y).



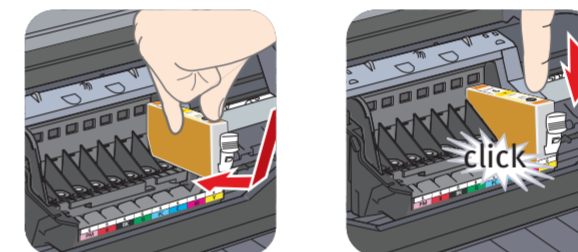
- Twist off and discard the orange protective cap.

**NOTE:** To avoid spilling ink, never press on the sides of an ink tank.

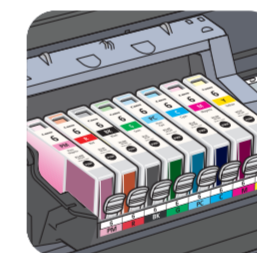


- Insert the ink tank into the correct slot. (Refer to the color guide on the print head holder).

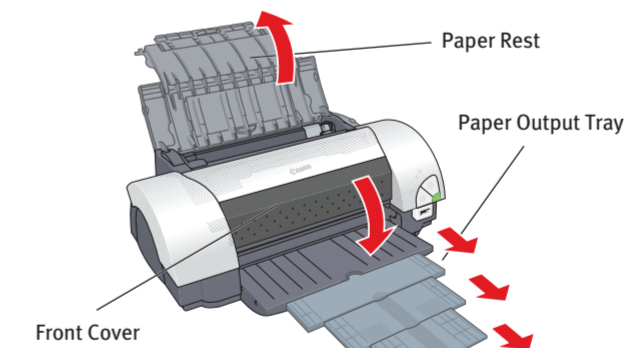
Press down until the ink tank clicks into place.



- Insert the remaining seven ink tanks into their assigned slots.

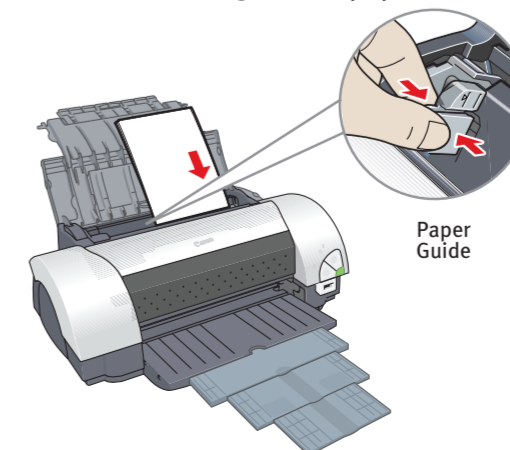


- Close the front cover. Lift open the paper rest and extend the paper output tray.



**NOTE:** The printer will perform a print head cleaning. Wait until the POWER lamp displays a steady green light before proceeding.

- Remove the packaging from inside the paper guide. Pinch the paper guide and slide it to the left. Load the printer with a few sheets of blank paper, then slide the paper guide toward the left edge of the paper.



## 5 Connect the Printer

**IMPORTANT:** Be sure the printer is off before continuing, or the computer will attempt to install the printer driver before the printer is ready.

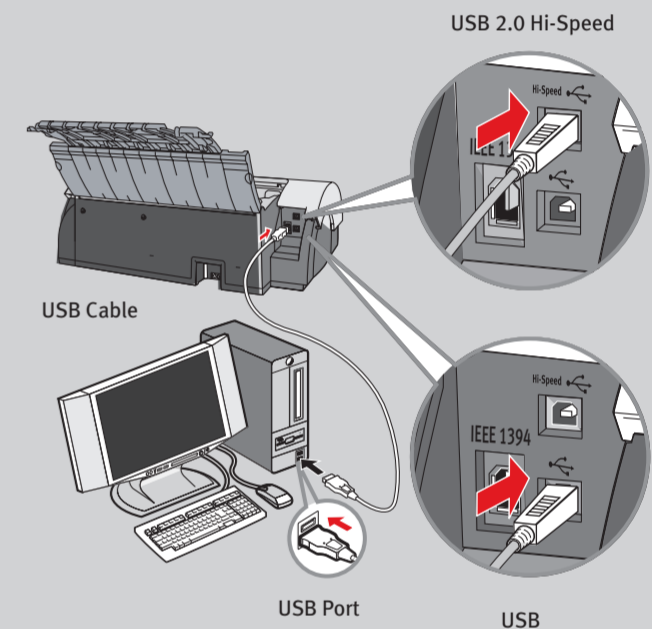
### USB Ports:

- TURN THE PRINTER OFF.
- Connect one end of the USB cable to the computer, the other to the appropriate USB port on the printer.

If your computer and operating system support USB 2.0 Hi-Speed, use the top port. Otherwise, use the bottom port.

**NOTE:** The i9900 Series Photo Printer is equipped with both USB 2.0 Hi-Speed and USB ports. If you do not know your USB version number, connect using the lower port.

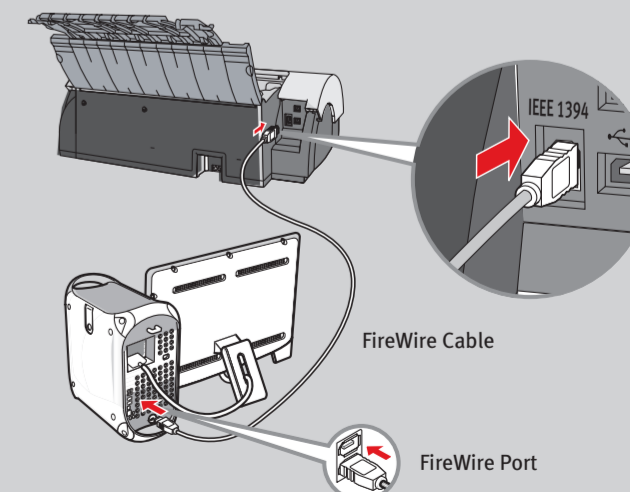
Do not switch port after installation.



### FireWire Port (for Mac Only):

- TURN THE PRINTER OFF.
- Connect one end of the FireWire cable to the Macintosh, the other to the FireWire port on the printer.

If your computer and operating system support FireWire, use the Firewire port. Otherwise, use the USB port.

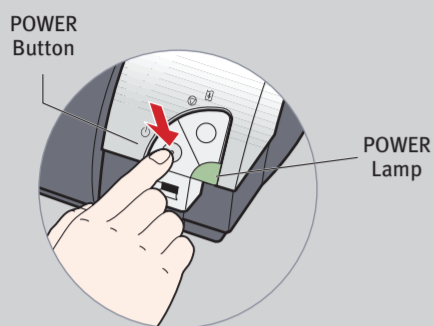


Continue with Step 6 on side two.



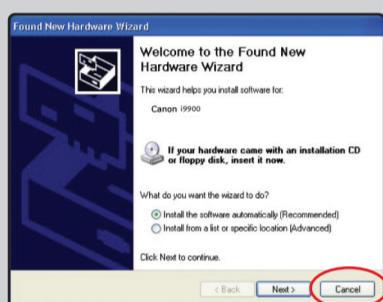
## 6 Windows® Printer Driver Installation and Print Head Alignment

- 1 Be sure to **TURN THE PRINTER OFF** before continuing.



**NOTE:** For Windows® XP or Windows 2000, log on to Windows as a member of the Administrators group before continuing.

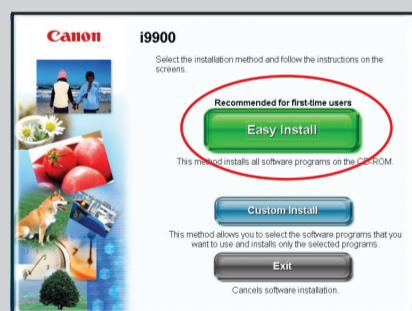
**IMPORTANT:** If you see the Found New Hardware Wizard, click **Cancel**.



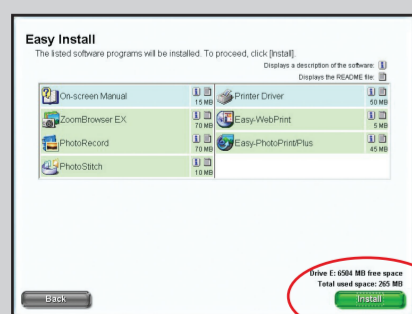
- 2 Close any open software applications, (including anti-virus, computer security and other software) then insert the "Setup Software & User's Guide" CD-ROM. The setup program should run automatically.

**NOTE:** If the setup program does not run, click **Start**, then type **D:\mssetup.exe**, where **D** is your CD-ROM drive.

- 3 When the main menu appears, click **Easy Install**.



- 4 When the "Easy Install" screen appears, click **Install**.



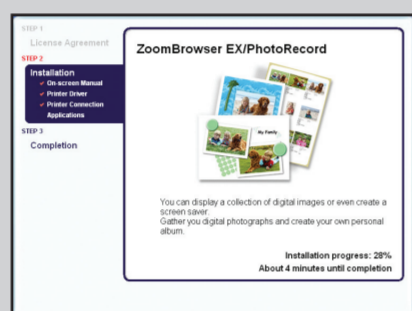
- 5 Read the License Agreement, then click **I accept**, then **Next** to continue. The installation process will start.

- 6 When the "Printer Connection" window appears, **TURN THE PRINTER ON**. The software will begin identifying the printer port being used.



**IMPORTANT:** If your computer cannot detect a printer port, click **Help** and refer to the online instructions.

- 7 Follow the on-screen instructions to install the remaining software.



- 8 When the "Installation Results" screen appears, click **OK**.
- 9 Register your product to ensure product support. Follow the on-screen instructions.
- 10 When the "Print Head Alignment" screen appears, click **Next**. You will need to align your print head after you restart your computer.
- 11 Click **Next** when you see the "On-Screen Manual" screen. When the "Installation completed successfully" screen appears, click **Restart**.



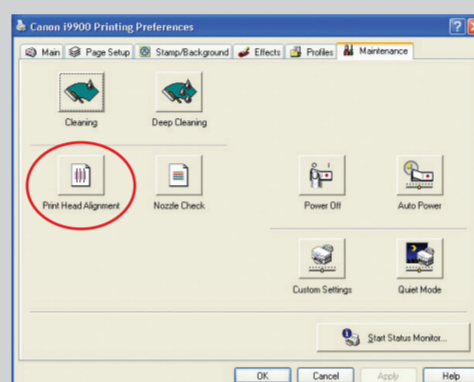
- 12 Start the print head alignment procedure.

a. For Windows XP click **Start**, select **Control Panel, Printers and Other Hardware**, then **Printers and Faxes**.

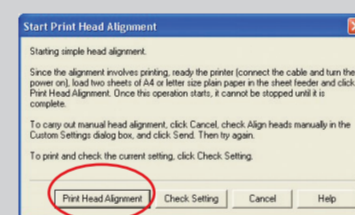
b. Right-click the **i9900** icon, then click **Printing Preferences**.

**NOTE:** For Windows 98/Me/2000 click **Start**, then select **Settings, Printers**. Right-click the **i9900** icon, then click **Properties**.

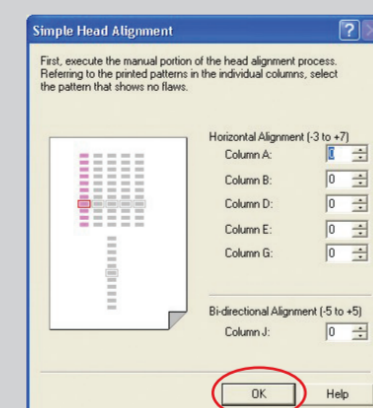
c. Click the **Maintenance** tab, then click on the **Print Head Alignment** icon.



d. When asked to start the print head alignment, click **Print Head Alignment** and follow the on-screen instructions.



e. Look at the printed patterns and input the values for each pattern that shows no flaws (least number of white stripes). Then click **OK**.



f. The rest of the print head alignment process will take place automatically. Ensure paper is loaded and follow the on-screen instructions. This process will take a few minutes.

- 13 Click **OK** to exit the Maintenance tab. Print head alignment is now complete.

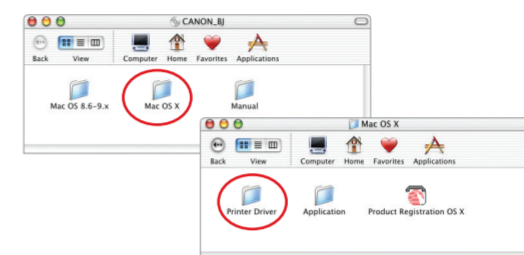
## 6 Macintosh® Printer Driver Installation and Print Head Alignment

**NOTE:** For Mac OS 8.6 to 9.x printer driver instructions, refer to the "Appendix" of the *Quick Start Guide*.

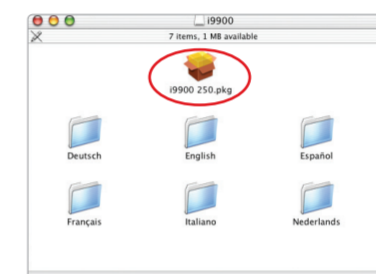
- 1 Turn on your Mac and your printer and insert the "Setup Software & User's Guide" CD-ROM.

**NOTE:** Log on as an Administrator before continuing.

- 2 Double-click the CD-ROM icon, then the **Mac OS X** folder, then the **Printer Driver** folder.



- 3 Double-click the **i9900 250.pkg** icon, then follow the on-screen instructions.



**NOTE:** When the "Authenticate" screen appears, enter your administrator name and password. If you do not know your administrator name or password, click **?**, then follow the on-screen instructions.

- 4 When the message "The software was successfully installed" appears, click **Restart**.
- 5 When a message asking you to align the print head appears, click **OK**.

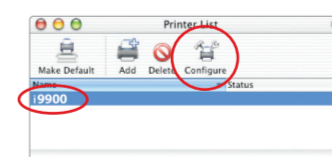


- 6 Start the print head alignment procedure.

a. Double-click the **Macintosh HD** icon, then **Applications** folder. Double-click the **Utilities** folder, then the **Print Center** icon.

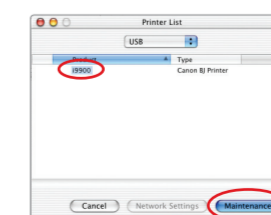
**NOTE:** For Mac OS X 10.3.x select the **Printer Setup Utility** icon.

b. When the Printer List screen appears, select **i9900**, then click the **Configure** icon.

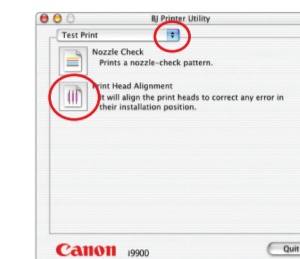


**NOTE:** For Mac OS X 10.3.x select the **Utility** icon.

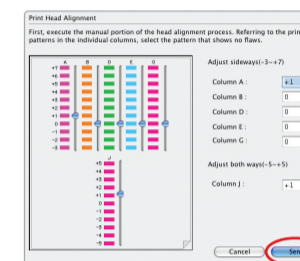
c. Select **i9900** and click **Maintenance**.



- d. Click the down-arrow to select **Test Print**. Click the **Print Head Alignment** icon and follow the on-screen instructions.



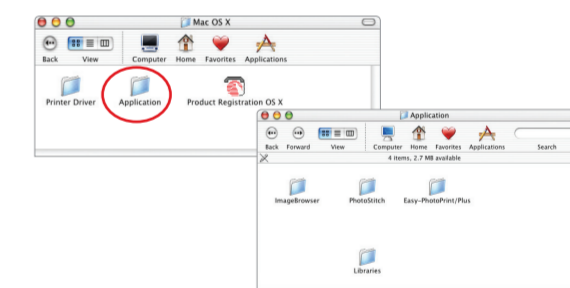
- e. Look at the printed patterns and input the values for each pattern that shows no flaws (least number of white stripes). Then click **Send**.



- f. The rest of the print head alignment process will take place automatically. Ensure paper is loaded and follow the on-screen instructions. This process will take a few minutes.

- 7 Click **Quit** to exit the BJ Printer Utility. Print head alignment is now complete.

- 8 Access your CD-ROM again. From the **Application** folder on the CD-ROM, double-click on the software to be installed.



- 9 Follow the on-screen instructions. When the "Installation has finished" screen appears, click **OK**.

- 10 Register your product to ensure product support. Double-click on the **Product Registration** icon, found in the **Mac OS X** folder. Follow the on-screen instructions.

## Free Manuals Download Website

<http://myh66.com>

<http://usermanuals.us>

<http://www.somanuals.com>

<http://www.4manuals.cc>

<http://www.manual-lib.com>

<http://www.404manual.com>

<http://www.luxmanual.com>

<http://aubethermostatmanual.com>

Golf course search by state

<http://golfingnear.com>

Email search by domain

<http://emailbydomain.com>

Auto manuals search

<http://auto.somanuals.com>

TV manuals search

<http://tv.somanuals.com>