



Seacoast® OWNER'S MANUAL

READ AND SAVE THESE INSTRUCTIONS!

SAFETY FIRST: Safety and the proper operation of your Casablanca fan both require a thorough knowledge of the product and proper installation. Therefore, before attempting to install and operate your Casablanca fan, read this Owner's Manual completely and carefully. Retain the manual for future reference

CONTENTS

INTRODUCTION	
Before You Start.....	2
Safe Use.....	2
MOUNTING RECOMMENDATIONS	
General Guidelines	3
Sloped Ceiling Installations	3
FAN INSTALLATION	
Getting Started	4
Crossbar Mounting Bracket Installation	4
Lag Screw Installation	5
Canopy Installation	5
Fan Preparation.....	6
Blade Installation	7
Switch Housing Bracket / Cap Installation	8
Hanging the Fan	9
Canopy Electrical Connections.....	8
Canopy Hatch Installation	8
VERSA•TOUCH2™ CONTROL	
Control Bracket Installation.....	10
Remote Operation.....	11
Changing Transmitter Frequency Setting	11
TROUBLESHOOTING TIPS.....	12
CARE RECOMMENDATIONS.....	13
AUTHORIZED SERVICE CENTERS	14
PRODUCT SPECIFICATIONS.....	16
ASSEMBLY DIAGRAM	17

INTRODUCTION

BEFORE YOU START

- **CAUTION: Risk of electrical shock!** All wiring must be in accordance with the National Electric Codes and the appropriate local electrical codes. The National Codes require proper grounding as a precaution against electrical shock. A qualified electrician should be consulted if you are unsure.
- This fan is designed to be installed on an existing electrical outlet box. The outlet box must be UL Listed for ceiling fan installations, if it is not, a new box must be installed. Casablanca extension poles are available for sloped or high ceiling installations.
- This ceiling fan requires a grounded electrical supply of 120 VAC, 60 Hz and a minimum 15 amp circuit. The maximum current requirement for the fan with light fixture is 3.8 amps. The fan uses about 1 amp or 100 watts. Maximum light current is 2.8 amps or 340 watts of lighting.
- Where wire nuts are employed, be sure all bare wires are within the connectors. When installing the canopy hatch, make sure all wires are within the canopy and that no wires are being pinched.

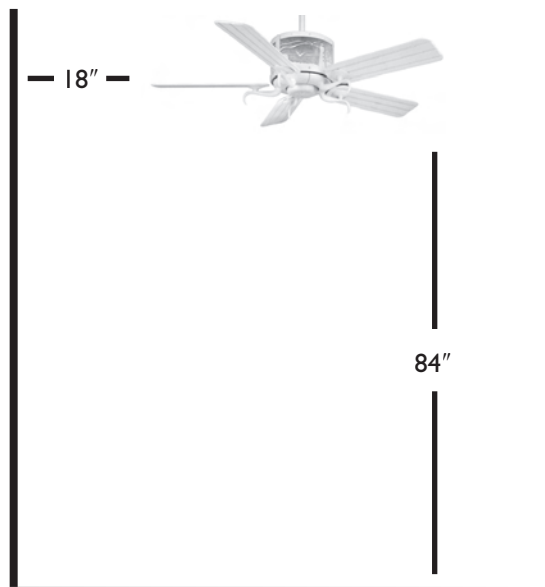
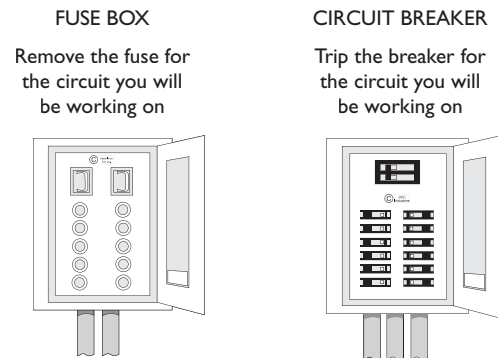
Unpacking

Before assembling and installing your ceiling fan, remove all parts from the shipping cartons and check them against the parts listed in the Parts List. Before discarding packaging material, be certain that all parts have been removed.

NOTE: For best performance and for your warranty to be valid, use only genuine Casablanca Fan Company blades, light fixtures, and accessories.

SAFE USE

- Inspect the contents of your carton for possible shipping or handling damage and report any such damage directly to your authorized Casablanca dealer.
- It is always a good idea to have an assistant to help with the installation.
- The blades in each pack are matched for equal weight to assure smooth fan operation. If more than one fan is being installed, be careful not to mix blades from different cartons.
- Never install a fan over a pool or spa.
- For safety reasons, the fan blades must be a minimum of 7 feet above the floor.
- In any installation, the tips of the blades must be at least 18 inches from the wall in order to provide sufficient clearance for the blades.
- Never insert anything into the path of the fan blades while the fan is in operation.
- When cleaning, painting, or working near your fan, be very careful of the fan and blades. Always turn the power OFF to the ceiling fan before servicing it, working on it, or replacing lightbulbs.
- Never operate a fan that has been damaged in any way. For assistance in obtaining service, call Casablanca Fan Company toll-free at 1-888-335-5247 or contact your local Casablanca Authorized Dealer.



MOUNTING RECOMMENDATIONS

GENERAL GUIDELINES

Before mounting your Casablanca fan, read the following helpful recommendations. The location of the fan, air circulation, and fan size are all important factors to consider before installation.

Location

Ceiling fans have practical uses in almost every room in your home. We suggest you follow these mounting recommendations as you decide where to install your Casablanca fan.

- This fan requires a minimum ceiling height of 9 feet.
- Do not locate the fan in a doorway or above a swinging door.
- In bedrooms, fans work best when mounted above the foot of the bed.
- Over pool tables, be sure to provide plenty of clearance to avoid damage from pool cues.
- In kitchens, be sure to allow for open cupboard doors to clear the fan blades.
- Do not install a fan close to, or over, a pool or spa. High humidity combined with corrosive gases will destroy the finish and warp the blades.

Fan Size

Variable fan speed capability permits the use of a full-size 54-inch fan even in smaller rooms. For very large rooms, two fans may be needed.

SLOPED CEILING INSTALLATIONS

SUGGESTED EXTENSION POLE LENGTHS	
Ceiling Height	Pole Length
8' 0"	standard
8' 6"	standard
9' 0"	6"
9' 6"	12"
10' 0"	12"
11' 0"	18"
12' 0"	24"
13' 0"	36"
14' 0"	48"

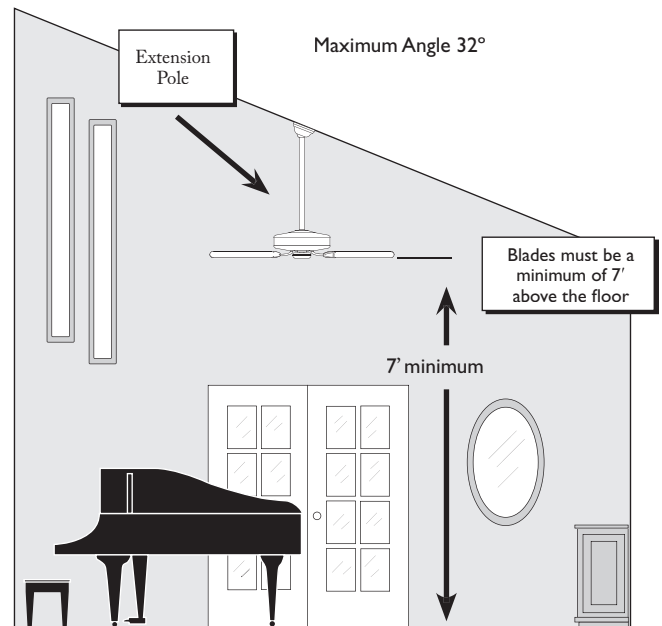
When to Use Extension Poles


For best performance and appearance, an extension pole should be used with your Casablanca fan when installing on high (cathedral) ceilings or sloped ceilings. Casablanca offers standard poles in increments of 6 inches up to 5 feet. Custom poles are available in lengths up to 9 feet 9 inches. See your Authorized Casablanca Dealer for details.


NOTE: The fan may wobble or vibrate if the pole length is not long enough and the inside blade is too close to the downslope or side wall. Extending the pole length usually will solve the problem.


Calculation of 32 Degrees

Use the tear-off Ceiling Angle Template card inserted in this manual. It provides you with a simple "go" or "no go" for installing your fan on a sloped ceiling.



- 

EXAMPLE 1 This slope is less than 32 degrees. It is okay to install your fan.
- 

EXAMPLE 2 This slope is 32 degrees, the maximum slope that will allow the fan to hang straight down. It is okay to install your fan.
- 

EXAMPLE 3 This slope is more than 32 degrees. Your fan will not hang straight down; an adaptor is necessary. Contact your local Authorized Casablanca Dealer to purchase a "Sloped Ceiling Adaptor."

FAN INSTALLATION

GETTING STARTED

Installing a New Ceiling Fixture Outlet Box

If you do not have an existing fixture located where you wish to place your Casablanca fan, an approved ceiling fixture outlet box must be installed and wired.

WARNING: To reduce the risk of fire, electrical shock, or personal injury, mount to outlet box marked "Acceptable for Ceiling Fan Support" using the mounting hardware provided with the outlet box.

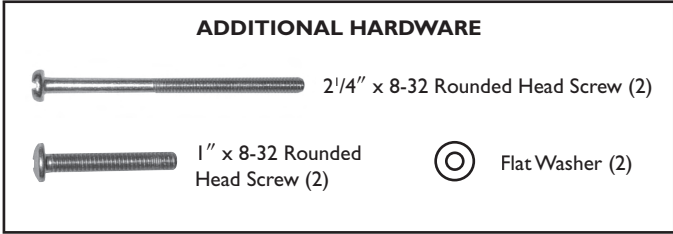
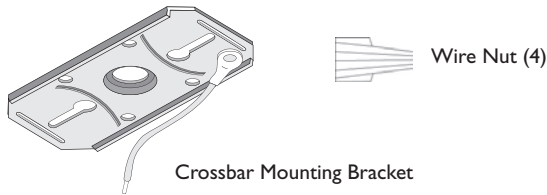
Using Existing Ceiling Fixture Outlet Box

After turning the power OFF at its source (either the circuit breaker or fuse box), lower the old fixture and disconnect the wiring. Check the ceiling fixture outlet box to be sure that it is marked "Approved For Ceiling Fan Mounting." If it is not, a new box must be installed.

NOTE: The weight of this fan is 50 pounds.

CROSSBAR MOUNTING BRACKET INSTALLATION

CEILING HARDWARE (not to scale)



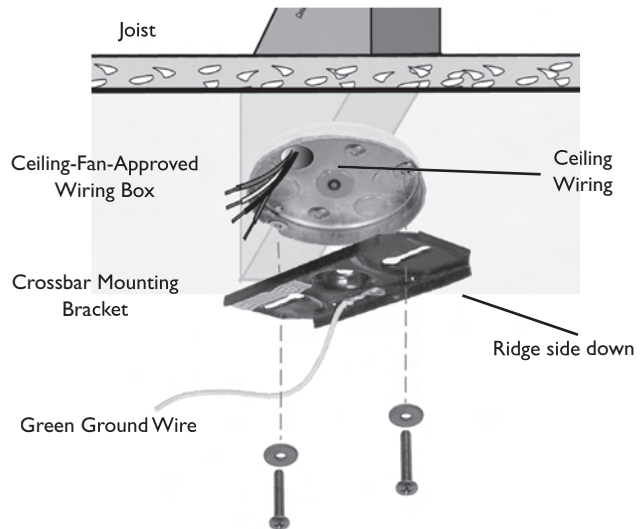
NOTE: After removing the old fixture, check the outlet box to ensure it is supported by a joist or beam across its upper surface. If not, a 2 x 4 stud must be installed.

Step 1a. Remove the knockout plug in the center of the outlet box or drill a 1/2-inch hole for the lag screw to pass through. Then drill a 1/4-inch guide hole into the joist or beam to a depth of 3 inches.

Step 1b. Route the outlet box wires through the center hole of the crossbar mounting bracket. Attach the crossbar mounting bracket to the outlet box with the screws provided, ensuring that the outlet box wires are not pinched by the washer.

CAUTION: To reduce the risk of personal injury, use only the mounting hardware provided with the approved outlet box to install the crossbar mounting bracket.

WARNING!
Support directly to building structure only.



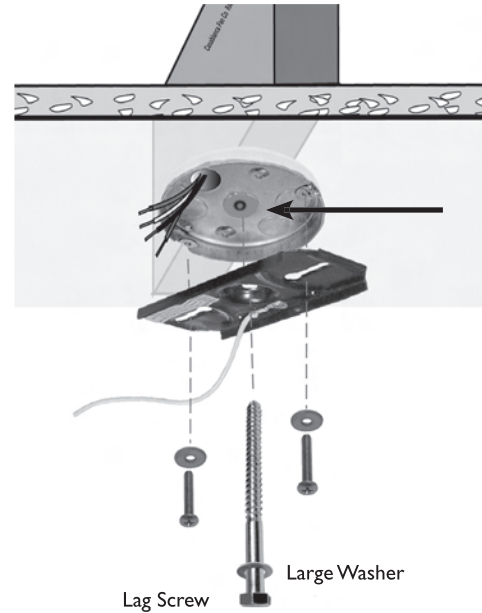
APPROVED OUTLET BOX
HARDWARE



LAG SCREW INSTALLATION

NOTE: We recommend that the ceiling box be of sufficient capacity to support the weight of the fan and light fixture under any conditions.

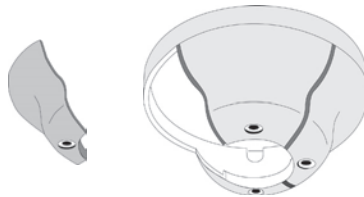
Step 2. With the large washer attached, pass the lag screw through the center hole of the crossbar mounting bracket and screw into guide hole. Tighten until outlet box is mounted firmly to beam. This box must be secured to the ceiling firmly.



CANOPY INSTALLATION

CANOPY HARDWARE
(not to scale)

Canopy Hatch

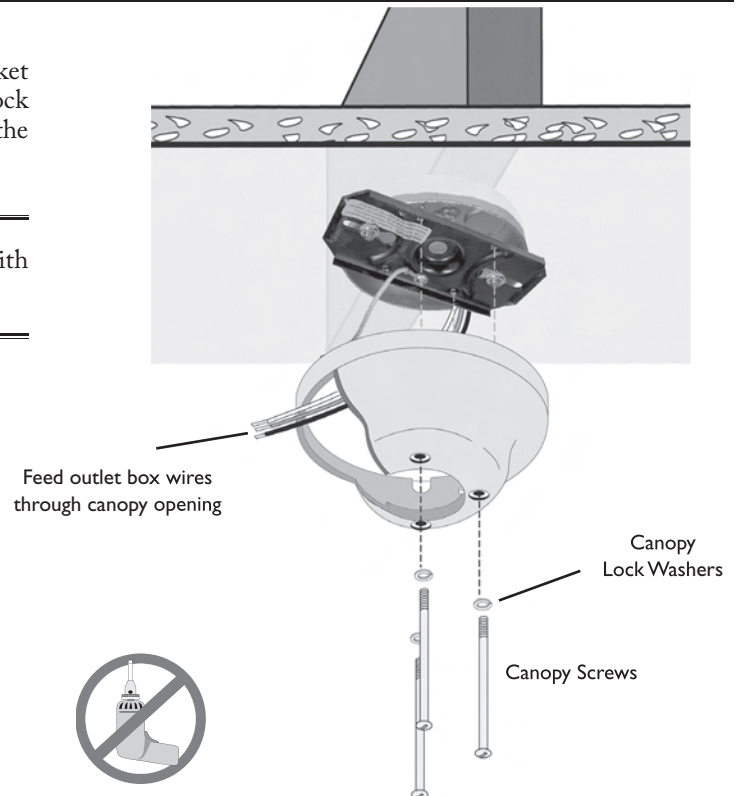


 Canopy Screw (4)

 Canopy Lock Washer (4)

Step 3. Attach the canopy to the crossbar mounting bracket with three of the 8-32 x 2 1/2" long canopy screws and lock washers provided with your Casablanca fan. Tighten using the provided screwdriver until snug against the ceiling.

NOTE: On sloped ceilings, align the canopy opening with the top or peak of the room.



FAN PREPARATION

IMPORTANT SAFETY INFORMATION!

Before starting the installation of your ceiling fan, install the threaded downrod into the motor coupling and lock the assembly

Prepare for fan installation as follows:

Step 4a. Place the motor cover on the downrod as shown.

Step 4b. Route the wires from the motor through the Perma•Lock™ downrod and ball assembly.

Tip: The downrod has a tapered thread that is designed to lock completely when correctly installed.

Step 4c. Using the provided Allen wrench, loosen the set screw several turns to allow installation of the downrod. Thread the downrod into the motor coupling until it stops turning. This will take at least four and a half full turns.

Step 4d. Tighten the set screw securely with the provided Allen wrench to ensure safe operation of your fan.

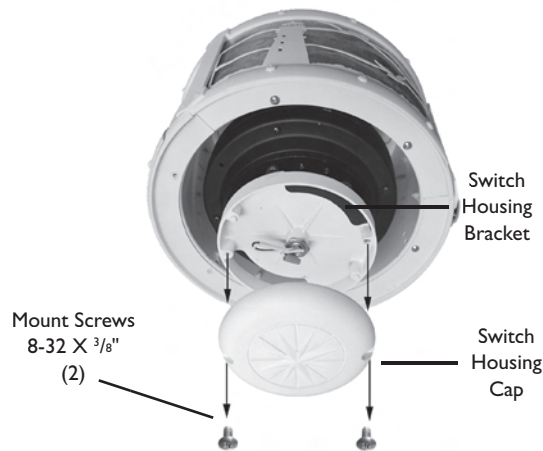
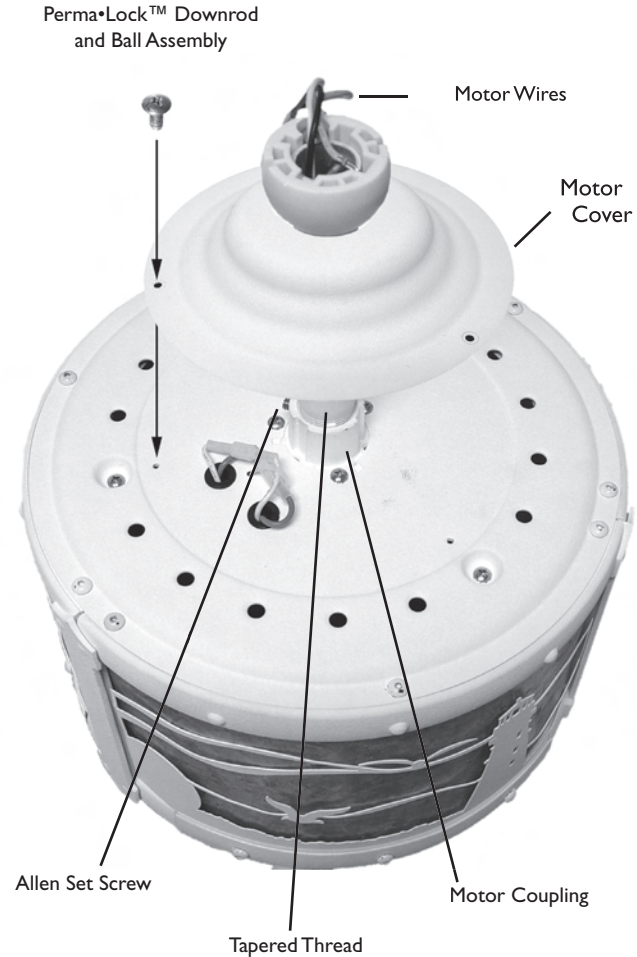
CAUTION: Failure to fully lock in the downrod before securely tightening the Allen set screw may cause the fan to separate from the downrod during normal operation!

Step 4e. Slide the motor cover down so that it is flush against the top of the fan.

Step 4f. Using the three provided screws, attach the motor cover to the motor. Tighten securely with the provided Phillips screwdriver.

Step 4g. Unsnap one of the switch housing brackets on the bottom of the switch housing and set it aside for use in step 6c.

Step 4h. To reach the blade holder mounting holes in the fan motor, the switch housing cap must be removed. Take out the two 8-32^{3/8}" screws securing the switch housing cap and set them aside for use in step 6c.



BLADE INSTALLATION

BLADE HARDWARE (not to scale)



Step 5a. Remove the five shipping blocks attached to the rotating motor plate using the provided Phillips screwdriver.

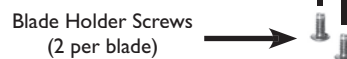
Step 5b. Attach each blade to a blade holder by first pressing the blade badge into the blade, then threading four blade screws into the screwholes and tightening using the screwdriver.

Repeat for each blade assembly.



Step 5c. Attach each blade/bladeholder assembly to the motor by threading two blade holder screws through the matching holes in the blade holder and the motor. Using the screwdriver, tighten the screws loosely.

After all five blade assemblies have been installed, tighten the screws securely using the screwdriver.



SWITCH HOUSING BRACKET/ CAP INSTALLATION

SWITCH HOUSING BRACKET/CAP HARDWARE (not to scale)



Switch Housing Cap



Switch Housing Bracket
(2)



Switch Housing
Mount Screw
(Removed in Step 10)
8-32 X 3/8
(2)

Step 6a. Take the two switch housing bracket you removed in step 4g and snap it into the holes in the switch housing. This is to prevent any wires getting pushed down near the motor. Make sure no wires are in the way or pinched in these

NOTE: If you have purchased an accessory light fixture for this fan, please refer to the instructions included with the light fixture. If not, continue with Step 6b.

Step 6b. Line up the two clearance holes in the cap with the two threaded holes on the raised rim of the switch housing. Press the cap onto the switch housing to seat the guide pins into the alignment holes of the switch housing.

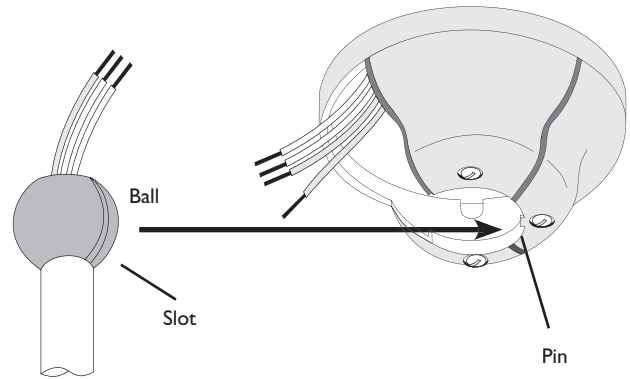
Step 6c. Using the two 8-32^{3/8}" screws removed in Step 4h, install the cap onto the switch housing. Tighten the screws securely using the Phillips screwdriver.



HANGING THE FAN

Step 7a. To hang the fan body in the canopy, hold the fan body firmly and insert the ball into the canopy opening. Check that no wires were pinched. Rotate the fan body until the slot in the ball fits into the pin opposite the canopy opening.

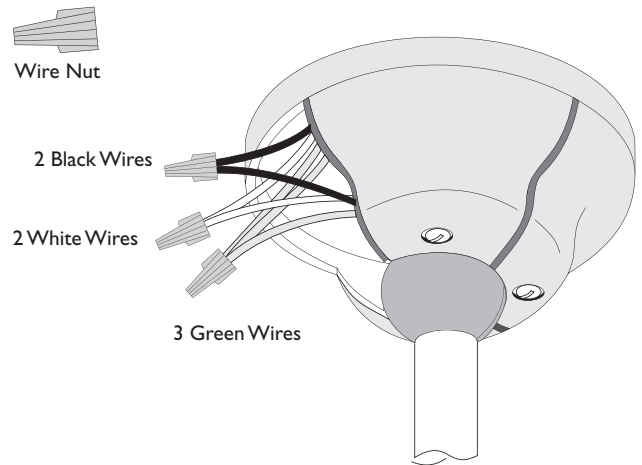
Step 7b. Trim excess motor wires, leaving at least 6 inches above the downrod. Strip 1/2-inch insulation from the end of each wire using a wire stripper (available at your local hardware store).



CANOPY ELECTRICAL CONNECTIONS

Step 8. Attach the fan wires to the ceiling fixture outlet box wiring by placing the bare ends of the wires side by side and then securing with a wire nut. Test that the connection is secure by pulling on the wire nut. Connect in this order:

- GREEN leads from mounting plate and downrod assembly of fan to GROUND conductor of power source. Secure with wire nut.
- WHITE wire from fan to white NEUTRAL wire in ceiling fixture outlet box. Secure with wire nut.
- BLACK power wire from fan to BLACK power wire in ceiling outlet box. Secure with wire nut



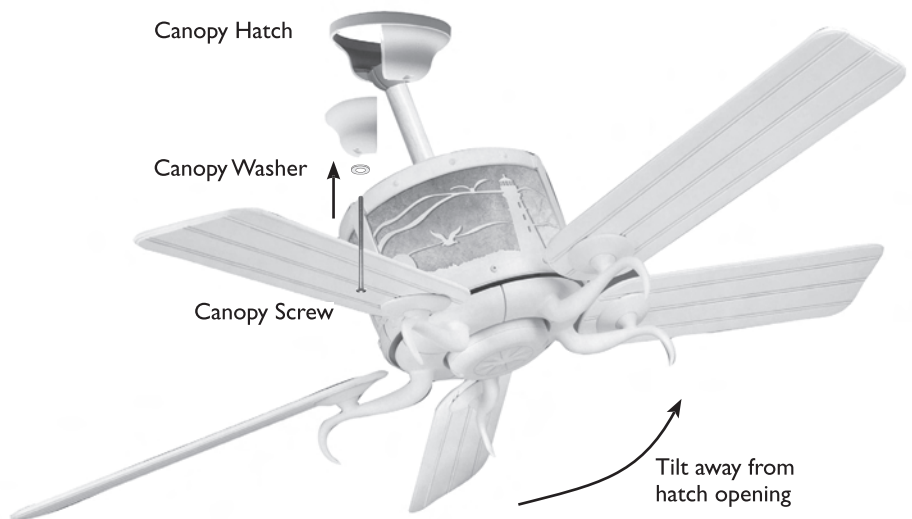
NOTE: If the color of your ceiling wires differs from that described, consult an electrician.

CANOPY HATCH INSTALLATION

Step 9a. Tuck the wires into the canopy with the wire nuts pointed upwards so that the WHITE and BLACK wires are on opposite sides of the canopy and all wires are clear of the canopy opening.

Step 9b. Install the canopy hatch with the last canopy screw and lock washer using the provided Phillips screwdriver. To do this, tilt the fan body away from the hatch opening. Tighten the screws firmly.

Step 9c. Straighten the fan, then check to ensure that there is no movement between the canopy and the ceiling or the Perma•Lock™ downrod and the ball assembly.

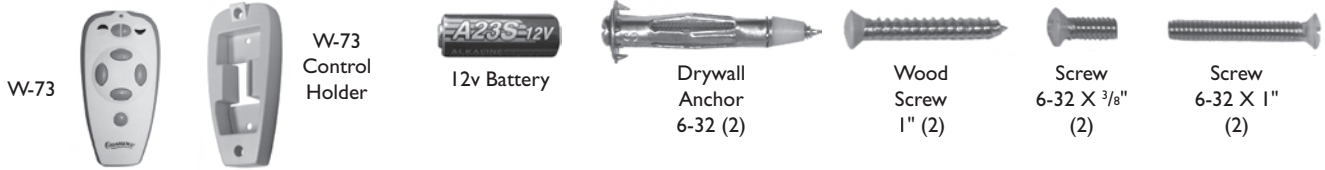




VERSA•TOUCH 2™

VERSA•TOUCH2™ INSTALLATION

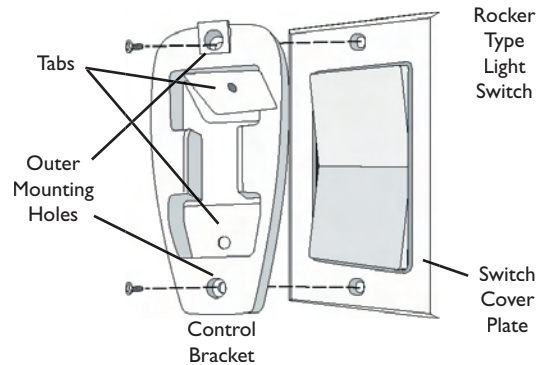
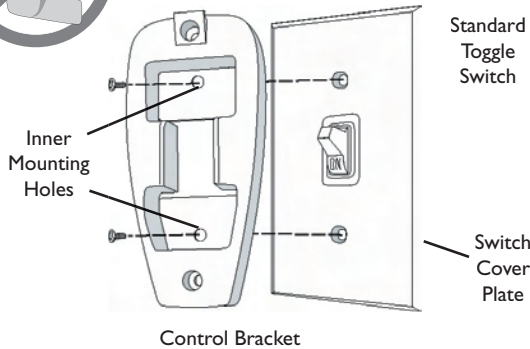
VERSA•TOUCH2™ INSTALLATION HARDWARE (not to scale)



CONTROL BRACKET INSTALLATION

SAFETY FIRST: To reduce the risk of electrical shock, this fan must be installed with an isolating wall control/switch.

CAUTION! Do not use with wall dimmer.



Standard Light Switch

Step a. Remove the two screws holding the switch cover plate. Do not remove the cover plate.

Step b. Orient the control bracket as shown and line up the two inner mounting holes with those on the switch.

Step c. Install and tighten screws using the provided Phillips screwdriver.

Rocker Light Switch

Step A. Break off the two tabs by pushing outward.

Step B. Remove the two screws holding the switch cover plate. Do not remove the cover plate.

Step C. Orient the control bracket as shown and line up the two inner mounting holes with those on the switch.

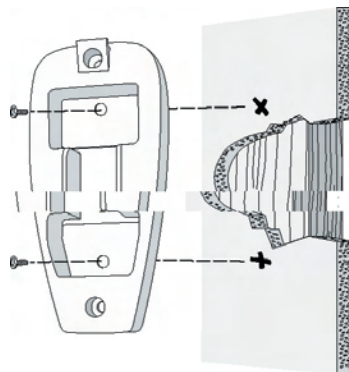
Step D. Install and tighten screws removed in Step B by hand only.

Wall Installation

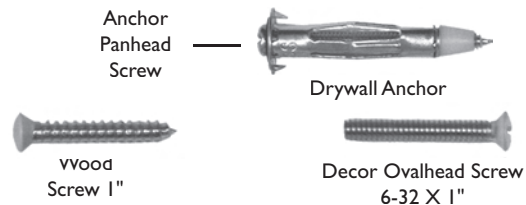
Step a. Locate a 2x4 wall stud in a convenient location.

Step b. Orient the control bracket as shown over the 2x4 stud.

Step c. Use the 1" wood screws in either the inner or outer mounting holes. Install and tighten screws using the provided Phillips screwdriver.



NOTE: The wall anchors and 6-32 x 1" screws may be used in situations where mounting to a stud is not possible. Use the inner mounting holes. After securing the anchor, discard the anchor's pointed screws and use the 6-32 decor ovalhead screws supplied.





REMOTE OPERATION

Fan Control

To start the fan. Press the selected speed button to run the fan at the desired speed.

1=Low speed 2=Medium speed 3=High speed

To turn off the fan. Press the FAN OFF button.

Airflow Direction

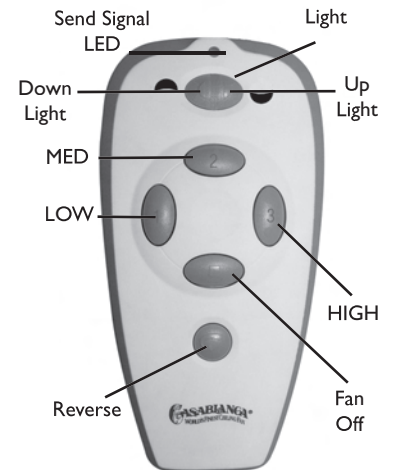
To reverse the airflow press the REVERSE button. Reverse operates at any speed whether fan is on or off. The fan returns to its set speed after reversing.

Light Control

Turn the light on or off independently from the fan by pressing the UP LIGHT DOWN LIGHT OR BOTH button. (This is a rocker switch. Press the left side for the Down Light, right side for the Up light, and the middle for both.) Keep pressing the button in excess of 0.7 seconds, it becomes a dimmer. The light varies from 'bright' to 'dim' over approximately 8 seconds. This sequence will reverse the light when it reaches the brightest or dimmest level if you continue to hold the LIGHT button. Release the button when the desired level is reached.

Auto Resume

Quick (pressing less than 0.7 seconds) on/off operation of the LIGHT button maintains the desired brightness level set previously.



TRANSMITTER FREQUENCY SETTING

Note: All fans leave the factory set to '00000'.

You will only have to change the dip switch settings in the remote if you are using more than one fan in the same area and want to control them separately.

Step 1. At the circuit breaker or fuse box, turn the power off for the fan you want to change.

Step 2. Open the battery door of the Versa•Touch control and remove the battery.

Step 3. Change the dip switch settings, assuring that they are different from the previously installed Versa•Touch fan.

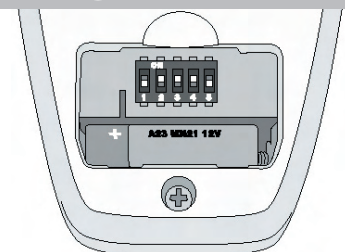
Step 4. Re-install the battery and the battery door on the control.

Step 5. At the circuit breaker or fuse box, turn the power back on for the fan whose frequency you are changing.

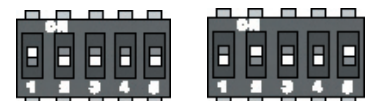
Step 6. Within 20 seconds of restoring power, push the Hi, Med, and Lo buttons (in that order).

HELPFUL HINT: Label your controls to ensure you do not mix them up.

WARNING: Do not turn the power off at the circuit breaker, then back on, for the previously installed Versa•Touch 2 fan(s), as you may inadvertently change the frequency settings for it as well.



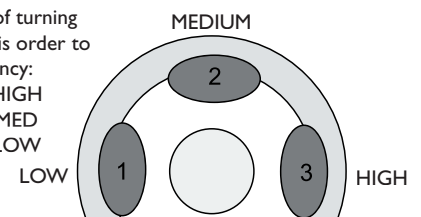
versa•touch 2 control (back)



Dip Switch Set to '10000'

Dip Switch Set to '01001'

Within 20 seconds of turning the fan on, press in this order to set new frequency:
3 - HIGH
2 - MED
1 - LOW



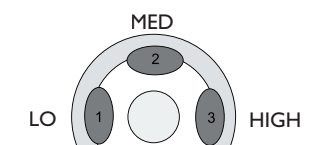
IF FAN DOES NOT WORK

If the fan is not functioning after installation:

1. Check to make sure that batteries are installed correctly in the control.
2. Turn the power off to the fan (from the circuit breaker) for at least FIVE seconds.
3. Turn the power back on (at the circuit breaker) and push the High, Medium, and Low buttons—in that order—within 20 seconds.
4. The fan should now function properly.



Circuit Breaker or Fuse Box



press in this order to set new frequency:
HIGH MED LOW

TROUBLESHOOTING TIPS

Please refer to this guide before requesting service or contacting your dealer for assistance.

PROBLEM	POSSIBLE REMEDIES
Fan will not start	<ul style="list-style-type: none"> • Check the main circuit fuses, circuit breakers, and wall switch position. Check all wire connections. Make sure the power is turned off during this inspection. • The 9-pin connector is not making good contact. Check the 9-pin connector in the receiver mounted in the switch housing (see receiver diagram on page 11). • The battery is weak. Install a fresh battery. • The fan receiver is defective. Replace fan receiver. • Check the frequency setting: Turn the power off at the circuit breaker, only for the fan that is not functioning. Check that the jumper switches match in both the receiver and the transmitter.
Fan wobbles or shakes excessively	<ul style="list-style-type: none"> • Be sure the canopy pin is set properly into the slot on the ball. • Check that the bladeholders have not been bent during installation and the blades are balanced. • The hanger bracket and/or ceiling outlet are attached too loosely. Make sure the hanger bracket is attached tightly to the ceiling outlet box and the downrod assembly is secured firmly. • The downrod is attached to downrod base too loosely. Make sure all the screws are securely tightened.
Fan is noisy during operation	<ul style="list-style-type: none"> • Check and tighten the light fixture retaining screws, glass shade screws, and/or lightbulb(s). • Tighten the canopy screws and mounting plate assembly. Make sure the wire nuts inside the canopy and switch housing are not touching the metal parts and that they have not fallen off the wire splices. Tighten as necessary. • Tighten the blade holders to the flywheel (or direct drive motor) and the blades to the bladeholder screws. • Make sure all screws in the motor housing are snug but not overly tight.
Fan does not run on low speed	<ul style="list-style-type: none"> • If fan is new, it may need to be “broken in.” Run at high speed for several days.
Battery life is short	<ul style="list-style-type: none"> • Replace with alkaline batteries.
Light works, but fan does not work	<ul style="list-style-type: none"> • The 9-pin connector is not making good contact. Check the 9-pin connector receiver mounted in the switch housing (see receiver diagram on page 11).
Fan and light run only on full speed	<ul style="list-style-type: none"> • The fan receiver is defective. Replace fan receiver.
Fan is missing one speed	<ul style="list-style-type: none"> • The fan receiver is defective. Replace fan receiver.
Fan does not change speed, but light works	<ul style="list-style-type: none"> • The fan receiver is defective. Replace fan receiver.
Reverse does not work	<ul style="list-style-type: none"> • The fan receiver is defective. Replace fan receiver.
Fan starts working by itself	<ul style="list-style-type: none"> • There is frequency interference. Change frequency as described on Page 11.
Fan operates only when transmitter is close	<ul style="list-style-type: none"> • Check that antenna wire is not touching metal plate.
Fan works, but light does not dim	<ul style="list-style-type: none"> • The fan receiver is defective. Replace fan receiver.
Fan works, but light does not work	<ul style="list-style-type: none"> • The fan receiver is defective. Replace fan receiver. • The light socket is broken. Replace socket. • A lightbulb is defective. Replace lightbulb.

CARE RECOMMENDATIONS

Fan Finishes

- For cleaning, a soft brush or lint-free cloth should be used to prevent scratching the finish.
- A vacuum cleaner brush nozzle can remove heavier dust.
- Surface smudges or an accumulation of dirt and dust can be removed easily by using a mild detergent and slightly dampened soft cloth. An antistatic agent may be used, but *never use abrasive cleaning agents* as these will damage the finish.

Blades

- Wood-finish blades should be cleaned with a furniture polishing cloth. Occasionally, a light coat of furniture polish may be applied for added protection and beauty.
- For painted and high-gloss blades, surface smudges or an accumulation of dirt and dust can be removed easily by using a mild detergent and slightly dampened soft cloth. An antistatic agent may be used, but *never use abrasive cleaning agents* as these will damage the finish.

No Need for Lubrication

- *Never lubricate this fan!* The precision motor at the heart of your Casablanca fan features sealed bearings that are lubricated for life.
- Do not attempt to oil the motor.

Changing Lightbulbs

- Be sure to turn the power to OFF at the wall switch or circuit breaker before changing lightbulbs.
- Replace bulbs with the same type as you removed from the light fixture.
- The maximum wattage rating for this fan's light kit is 300 watts.

For questions or to locate the nearest Casablanca Authorized Service Center, call 1-888-335-5247 toll-free, or visit us on the Web at www.casablancafanco.com.

This device complies with Part 15 of the FCC rules. Operation is subject to the following two conditions:

1. This device may not cause harmful interference.
2. This device must accept any interference received, including interference that may cause undesired operation.

This equipment has been tested and found to comply with the limits for a class B digital device, pursuant to Part 15 of the FCC rules. These limits are designed to provide reasonable protection against harmful interference in a residential installation. This equipment generates, uses, and can radiate radio frequency energy and, if not installed and used in accordance with the instructions, may cause harmful interference to radio communication. However, there is no guarantee that the interference will not occur in a particular installation. If this equipment does cause harmful interference to radio or television reception, which can be determined by turning the equipment off and on, the user is encouraged to try to correct the interference by one or more of the following measures:

- Reorient or relocate the receiving antenna.
- Increase the separation between the equipment and receiver.
- Connect the equipment into an outlet on a circuit different from that to which the receiver is connected.
- Consult the dealer or an experienced radio/TV technician for help.

NOTE: Any changes or modifications to the transmitter or receiver not expressly approved by Casablanca Fan Company may void one's authority to operate this remote control.

STATE/CITY	ZIP	SERVICE CENTER NAME	PHONE	TYPE
OHIO (CONTINUED)				
MAUMEE	43537	K.O.V ELECTRONIC REPAIR	419-865-8893	
DAYTON	45419	LARKIN ELECTRIC CO.	937-294-4115	
COLUMBUS	43231	THE LAMP LIGHTER	614-891-7940	
CLEVELAND	44109	WESTSIDE LTG. CTR.	216-459-1970	
N. OLMSTED	44070	CHANDELIER SHACK INC.	440-777-6969	ISO
NORTH LIMA	44452	DICKEY ELECTRIC	330-549-3976	
SOUTH EUCLID	44121	LAMP SHADER EAST/DBA LTG. EXPO	216-291-3030	OWTS/ISO
DAYTON	45459	OHIO LAMP & FIXTURE CO.	937-439-0822	ISO
OKLAHOMA				
OKLAHOMA CITY	73105	APPLIANCE SERVICE BY CK	405-525-8862	
OKLAHOMA CITY	73132	LARKIN E. STEVENSON	405-728-8810	
OKLAHOMA CITY	73127	JAMES LIGHTING INC.	405-947-6663	
OREGON				
PORTLAND	97225	SYLVAN ELECTRONICS INC.	800-473-1244	ISO
BEND	97701	DESIGN LIGHTING INC.	541-389-9997	ISO
PENNSYLVANIA				
HOPWOOD	15445	GEORGE R. SMALLEY CO. INC.	724-437-1927	
DREXEL HILL	19026	PATRICK HASTINGS	610-853-2709	
ALLEN TOWN	18105	LIGHTING FIXTURE & SUPPLY CO	610-438-9691	
PITTSBURGH	15224	MARK DIULUS ELECTRIC CO.	412-681-2553	
PHILADELPHIA	19111	KLAUS OTTE	215-745-4266	
EASTON	18045	PRIMROSE ELECTRICAL	610-258-1359	
ALLEN TOWN	18102	SCHOLL'S ELECTRIC	610-435-5876	
LANCASTER	17601	S. DEAN'S ELECTRIC	717-2854545	
WEST CHESTER	19382	TOBIAS ELECTRIC	610-942-4000	IN HOME ONLY
FAIRLESS HILLS	19030	ASTRO LTG. GALLERIES	215-943-0331	ISO
WEST READING	19611	A TO Z VACUUM STORES	610-374-4888	OWTS
HARRISBURG	17111	YALE ELECTRIC SUPPLY	717-233-8401	ISO
CONSHOHOCKEN	19428	KAY ELECTRIC SUPPLY	610-825-0100	ISO
WILLOW GROVE	19090	NORTH-WEST ELEC. SUPPLY CO.	215-659-5757	
STATE COLLEGE	16803	WHITEHILL LIGHTING & SPLY.	814-238-2449	
RHODE ISLAND				
PAWTUCKET	02861	WICKFORD APPLIANCE & LTG CTR.	401-726-4240	ISO
SOUTH CAROLINA				
HANAHAN	29406	BOBBY LUTES ELECTRICAL INC.	843-797-0948	ISO
SPARTANBURG	29306	BOBBY JACKSON ELECTR.	803-583-6035	
BLUFFTON	29910	J. HEAVENER & CO.	843-837-8300	
GOOSE CREEK	29445	DAVID MIMS	843-514-2380	
MYRTLE BEACH	29575	RAY ELECTRIC	843-293-0068	
COLUMBIA	29212	EASTWIND ENTERPRISES	803-781-3267	
SOUTH DAKOTA				
SIOUX FALLS	57105	LAMPS AND SHADES INC.	605-332-6680	
SIOUX FALLS	57104	MAHLANDER'S	605-336-7798	
TENNESSEE				
MT CARMEL	37645	APPALACHIAN ELEC. SVC.	423-357-0783	ISO
MEMPHIS	38111	APPLIANCE SERVICE CTR.	901-324-5898	ISO
LOUISVILLE	37777	BEN SNYDER	865-380-5491	
BRENTWOOD	37027	PAUL TAMPIEN/SUNSHINE ELECT.	615-371-9383	
TEXAS				
LEWISVILLE	75067	SOUTHERN COMFORTS	940-536-1406	
HOUSTON	77089	BENNETT FAN INSTALL., INC.	281-484-1401	
CORPUS CHRISTI	78404	BRAND APPLIANCE & MICROWAVE	512-854-1851	ISO
FREESPORT	77541	SKIP'S ELECTRIC AND AIR	979-233-3903	
AMARILLO	79106	DI'S LAMP & FAN REPAIR	806-331-5267	
DENTON	76201	FANTASIA CEILING FANS	940-484-4222	
ODESSA	79761	GOFORTH ELECTRIC	432-550-8927	
DENTON	76201	LARRY W. GOFF	940-387-7304	
DAMON	77430	GULF COAST FAN SERVICE	281-495-6434	

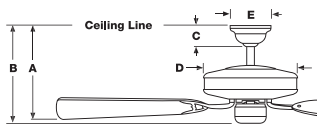
STATE/CITY	ZIP	SERVICE CENTER NAME	PHONE	TYPE
KERRVILLE	78029	MAURICE HAMMIT	210-367-4937	
PARIS	75460	HARGIS ELECTRIC	903-785-8055	
SAN ANTONIO	78212	CEILING FAN SERVICE CTR.	210-804-1362	
AUSTIN	78757	KLOCK ELECTRIC	512-837-4704	
GIDDINGS	78942	ORSAG'S INC.	409-542-3167	
LUBBOCK	79413	ORECK VACUUMS	806-792-2821	
ARLINGTON	76001	P&M QUALITY CONT.	817-478-2004	
TYLER	75707	CHARLES R. RAINS	903-566-3119	
HEARE	77859	THOMPSON SUPPLY	409-280-5737	
CARROLLTON	75006	ADFANTAGE CEILING FAN	972-446-9393	
HUMBLE	77338	CAROLS LTG. & FAN SHOP	281-446-7613	ISO
AUSTIN	78703	TEXAS CEILING FANS/CEILING FAN SHOP	512-477-3132	ISO
HOUSTON	77069	CHAMPIONS LIGHTING	281-440-5339	ISO
RICHARDSON	75080	COOL BREEZES	972-690-4580	
HURST	76053	ARC FAN & LIGHTING	817-268-2218	ISO,OWTS
BEAUMONT	77702	FAN FACTORY	409-833-8207	ISO
DALLAS	75206	LIGHTS FANTASTIC	214-987-9655	
VICTORIA	77904	HALL ELECTRIC CO., INC.	512-578-6221	
SAN ANGELO	76904	HERITAGE HAUS	325-949-6541	
WICHITA FALLS	76308	LANTERN HOUSE INC.	940-692-7381	ISO
HOUSTON	77063	LIGHTING PLUS INC.	713-784-2440	ISO
HARLINGEN	78550	THE LIGHT HOUSE	956-423-6664	OWTS
MCCALLEN	78504	THE LIGHT HOUSE	956-631-1155	OWTS
SEALY	77474	TEXAS CEILING FANS	979-885-6900	ISO
UTAH				
MURRAY	84107	CENTRAL ELECTRIC CO.	801-467-5479	
RIVERTON	84065	VERN O. FRANCIS	801-254-4178	
LAYTON	84040	HARUO YOSHIKAWA	801-546-6008	
VIRGINIA				
RICHMOND	23228	FANNING ELECTRICAL SERVICE	804-262-3681	
BURKE	22015	L&S ELECTRIC INC.	703-237-0011	
WILLIAMSBURG	23185	TAPROOT COMPANY	757-229-3722	ISO
VIRGINIA BEACH	23451	FANS,LIGHTING, 'N' MORE	757-422-3616	
WASHINGTON				
SPOKANE	99216	BRITE-WAY ELECTRIC	509-922-0275	
TACOMA	98404	M.G.M. ELECTRONICS	253-752-9826	
WENATCHEE	98801	SEW CREATIVE/ADVANTAGE STORE	509-663-5516	
PASCO	99301	ARHA TOTAL SERVICE	509-547-3799	
BELLINGHAM	98225	JOHN WIGGINS DBA TWIN SISTERS ELEC.	360-676-1257	
YACOLT	98675	S&L ELECTIRC	503-657-0633	
YAKIMA	98902	INLAND LIGHTING	509-248-4647	ISO
WASHINGTON, DC				
WASHINGTON	20007	FAN FAIR	202-342-6290	ISO
WEST VIRGINIA				
SO. CHARLESTON	25309	PEPPER ELECTRIC	304-768-8195	
WHEELING	26003	TOP HAT STOVE SALES	304-233-6262	
WISCONSIN				
MILWAUKEE	53219	BOB'S FAN REPAIR	414-546-2501	
GREEN BAY	54313	KARL DEVROY	920-494-6090	
FONTANA	53125	J&L PROPERTY MAINT.	262-275-2345	
BROOKFIELD	53005	CITY LIGHTS & FANS	414-781-9048	ISO/OWTS
MADISON	53719	MADISON LIGHTING	608-271-6911	
LA CROSSE	54601	WETTSTEIN'S	608-784-5555	
CANADA				
TORONTO, ONT.,	M6M2P5	ZANEEN LIGHTING	416-247-922	
OVERSEAS				
ST. THOMAS	00805	DUANE LOBERG	809-775-2399	

PRODUCT SPECIFICATIONS

Collection: Casablanca Signature
Model name: Seacoast
Model number: C3U72M

Dimensions:
 A = 16"
 B = 17"
 C = 3"
 D = 11.8"
 E = 5.6"

NOTE: Dimension B includes light fixture and glass.



Weight: 50 lbs.

Finishes: Architectural White
Motor: 188 x 20 mm - C1LT type
Blade span: 54 inches
Blade iron pitch: 15 degrees
No. of blades: 5
Technology: Versa•Touch2™
Lightbulb type: 45-watt tube light with 44,000-hour bulb life
No. of lightbulbs: 3

Free Manuals Download Website

<http://myh66.com>

<http://usermanuals.us>

<http://www.somanuals.com>

<http://www.4manuals.cc>

<http://www.manual-lib.com>

<http://www.404manual.com>

<http://www.luxmanual.com>

<http://aubethermostatmanual.com>

Golf course search by state

<http://golfingnear.com>

Email search by domain

<http://emailbydomain.com>

Auto manuals search

<http://auto.somanuals.com>

TV manuals search

<http://tv.somanuals.com>