

User's Manual

CITIZEN LINE THERMAL PRINTER MODEL iDP3240

Japan CBM Corporation

Declaration of Conformity

Manufacturer's Name : Japan CBM Corporation
Manufacturer's Address : CBM Bldg., 5-68-10, Nakano, Nakano-ku
Tokyo, 164-0001, Japan

Declare the Product

Product Name : Line Thermal Printer
Model Number(s) : iDP3240 Series
(iDP3240RF/PF)
(S.No.99X0001 -)

Conform to the following Standards

LVD : EN60950 : A11: 1997
EMC : EN55022 : 1998 Class A
: EN61000-3-2 : 1995
: EN61000-3-3 : 1995
: EN55024 : 1998
: EN61000-4-2 : 1995 ± 4 KV CD, ± 8 KV AD
: EN61000-4-3 : 1995 3 V/m, 80 MHz-1000 MHz AM 1 KHz 80 %
: EN61000-4-4 : 1995 ± 1.0 KV(AC Mains), ± 0.5 KV(Signal Lines)
: EN61000-4-5 : 1995 1 KV Normal mode, 2 KV Common mode
: EN61000-4-6 : 1996 3 V, 0.15 MHz-80 MHz AM 1 KHz 80 %
: EN61000-4-8 : 1993 50 Hz, 3 A/m(Out of scope)
: EN61000-4-11 : 1994 10 ms/95 %, 500 ms/30 %, 5000 ms/100 %

Supplementary Information

"The product complies with the requirements of the Low Voltage Directive 73/23/EEC, 93/68/EEC and the EMC Directive 89/336/EEC, 92/31/EEC, 93/68/EEC"

Place : Tokyo, Japan

Signature

Date : September 1999



Full Name : Mikio Moriya

Position : General Manager
R & D Department

European Contact :

Norco Declaration AB
Box 7146 S-250 07 Helsingborg Sweden

Warning : This is a Class A product. In a domestic environment this product may cause radio interference in which case the user may be required to take adequate measures.
This declaration is applied only for 230 V model.

IMPORTANT SAFETY INSTRUCTIONS

- Read all of these instructions and save them for future reference.
- Follow all warnings and instructions marked on the product.
- Unplug this product from the wall outlet before cleaning. Do not use liquid or aerosol cleaners. Use a damp cloth for cleaning.
- Do not use this product near water.
- Do not place this product on an unstable cart, stand or table. The product may fall, causing serious damage to the product.
- Slots and openings on the back or bottom of the case are provided for ventilation. To ensure reliable operation of the product and to protect it from overheating, do not block or cover these openings. The openings should never be blocked by placing the product on a bed, sofa, rug or other similar surface. This product should never be placed near or over a radiator or heater. This product should not be placed in a built-in installation unless proper ventilation is provided.
- This product should be operated from the type of power source indicated on the marking label. If you are not sure of the type of power available, consult your CBM dealer or local power company.
- Do not allow anything to rest on the power cord. Do not place this product where the cord will be walked on.
- If an extension cord is used with this product, make sure that the total of the ampere ratings of the products plugged into the extension cord does not exceed the extension cord ampere rating. Also, make sure that the total of all products plugged into the wall outlet does not exceed 15 amperes.
- Never push objects of any kind into this product through cabinet slots as they may touch dangerous voltage points or short out parts that could result in a risk of fire or electric shock. Never spill liquid of any kind on the product.
- Except as explained elsewhere in this manual, do not attempt to service this product by yourself. Opening and removing the covers that are marked "Do Not Remove" may expose you to dangerous voltage points or other risks. Refer all servicing on those components to service personnel.
- Unplug this product from the wall outlet and refer servicing to qualified service personnel under the following conditions:
 - A. When the power cord or plug is damaged or frayed.
 - B. If liquid has been spilled into the product.
 - C. If the product has been exposed to rain or water.
 - D. If the product does not operate normally when the operating instructions are followed. Adjust only those controls that are covered by the operating instructions since improper adjustment of other controls may result in damage and will often require extensive work by a qualified technician to restore the product to normal operation.
 - E. If the product has been dropped or the cabinet has been damaged.
 - F. If the product exhibits a distinct change in performance, indicating a need for service.
- Please keep the poly bag which this equipment is packed in away from children or throw it away to prevent children from putting it on. Putting it on may cause suffocation.

WICHTIGE SICHERHEITSANWEISUNGEN

- Lesen Sie die nachfolgenden Anweisungen sorgfältig durch und bewahren Sie sie auf.
- Befolgen Sie alle auf dem Drucker vermerkten Hinweise und Anweisungen. Vor dem Reinigen grundsätzlich Stecker aus der Steckdose ziehen. Keine Flüssigkeiten oder Aerosolreiniger benutzen. Nur mit einem feuchten Tuch abwischen.
- Der Drucker darf nicht in der Nähe von Wasser aufgestellt werden.
- Drucker nicht auf einem unstabilen Wagen, Stand oder Tisch aufstellen. Der Drucker könnte herunterfallen und dabei beschädigt werden.
- Schlitze und Öffnungen im Gehäuse, in der Rückwand und im Boden dienen der Belüftung. Sie dürfen keinesfalls zugedeckt oder blockiert werden, da sich der Drucker sonst überhitzt. Drucker nicht auf ein Bett, Sofa, Teppich oder dergleichen stellen. Drucker nicht in der Nähe eines Heizkörpers aufstellen. Drucker darf nicht eingebaut werden, falls nicht für ausreichende Belüftung gesorgt ist.
- Drucker nur mit der auf dem Typschild angegebenen Spannung betreiben. Wenn Sie sich nicht sicher sind, fragen Sie ihren Händler oder ihr zuständiges Elektrizitätswerk.
- Nichts auf das Stromanschlußkabel stellen. Kabel muß so verlegt werden, daß man nicht darauftreten kann.
- Ein etwaiges Verlängerungskabel muß der Stromstärke aller daran angeschlossenen Geräte entsprechen.
- Keine Gegenstände in die Gehäuseschlitze schieben.
- Drucker darf nur da gewartet werden, wo im Handbuch angegeben, Öffnen und Abnehmen von Abdeckungen, die mit "Do not remove" gekennzeichnet sind, könnte gefährliche spannungführende Stellen oder sonstige Gefahrenpunkte freilegen. Die Wartung solcher Stellen darf grundsätzlich nur von besonders ausgebildetem Fachpersonal vorgenommen werden.
 - A. Wenn das Stromanschlußkabel oder der Stecker beschädigt oder durch-gescheuert ist.
 - B. Wenn Flüssigkeit auf dem Drucker verschüttet wurde.
 - C. Wenn der Drucker im Regen gestanden hat oder Wasser darauf verschüttet wurde.
 - D. Wenn der Drucker trotz genauer Befolgung der Betriebsvorschriften nicht richtig arbeitet. Nur die in der Bedienungsanleitung angegebenen Einstellungen vornehmen. Ein Verstellen anderer Bedienelemente könnte den Drucker beschädigen und macht umständliche Arbeiten eines qualifizierten Technikers erforderlich, um den Drucker wieder auf den normalen Betrieb einzustellen.
 - E. Wenn der Drucker heruntergefallen ist oder das Gehäuse beschädigt wurde.
 - F. Wenn der Drucker in seiner Leistung nachläßt.
- Bitte halten Sie den Kunststoffbeutel, in den die Ware verpackt ist, von Kindern entfernt, oder werfen Sie ihn weg, damit er nicht in die Hände von Kindern gerät. Das Überstülpen des Beutels kann zum Erstickten führen.

Lärmemission kleiner 70dBA

IMPORTANT: This equipment generates, uses, and can radiate radio frequency energy and if not installed and used in accordance with the instruction manual, may cause interference to radio communications. It has been tested and found to comply with the limits for a Class A computing device pursuant to Subpart J of Part 15 of FCC Rules, which are designed to provide reasonable protection against such interference when operated in a commercial environment. Operation of this equipment in a residential area is likely to cause interference, in which case the user at his own expense will be required to take whatever measures may be necessary to correct the interference.

CAUTION: Use shielded cable for this equipment.

Sicherheitshinweis

Die Steckdose zum Anschluß dieses Druckers muß nahe dem Gerät angebracht und leicht zugänglich sein.

For Uses in Canada

This digital apparatus does not exceed the class A limits for radio noise emissions from digital apparatus, as set out in the radio interference regulations of the Canadian department of communications.

Pour L'utilisateurs Canadiens

Cet appareil numérique ne dépasse pas les limites de catégorie A pour les émissions de bruit radio émanant d'appareils numériques, tel que prévu dans les règlements sur l'interférence radio du département Canadien des communications.

GENERAL PRECAUTIONS

- Prior to using the iDP3240 Printer, be sure to read this User's Manual thoroughly. Please keep it handy so that you can refer to it whenever necessary.
- The information contained herein may be changed without prior notice.
- Reproduction of part or all of the User's Manual without permission is strictly prohibited.
- Never service, disassemble, or repair parts that are not described in the User's Manual.
- Note that CBM shall not be responsible for any damages attributable to incorrect operation/handling or improper operation environments, which are not specified in the User's Manual.
- Operate this printer only in the manners as described in the User's Manual; otherwise, accidents or problems could possibly occur.
- Data are basically temporary; they cannot be stored or saved for a long time or permanently. Please note that CBM shall not be responsible for any damages or lost profits resulting from the loss of data attributable to accidents, repairs, tests, and so on.
- If you have any questions, or notice any clerical errors or omissions regarding the information in the User's Manual, please contact your CBM dealer.
- Please note that CBM shall not be responsible for any results or effects resulting from operation of this Printer even if the information in the User's Manual is properly observed.

SAFETY PRECAUTIONS — WHICH SHOULD BE STRICTLY OBSERVED

In order to help prevent safety hazards to operators or any other persons and damages to property, special warning symbols are used in this User's Manual to indicate important items to be strictly observed.

- The following describes the degrees of hazards and damages that can occur if the iDP3240 Printer is incorrectly operated without observing the instructions indicated by the warning symbols.



WARNING

Negligence of the precautions indicated by this symbol may result in death or serious injuries.



CAUTION

Negligence of the precautions indicated by this symbol may result in injuries or damages to property.



This is a symbol mark used to alert your attention to important items.



This is a symbol mark used to indicate useful information, such as procedures, instruction or the like.



WARNING

- **Never handle the iDP3240 Printer in the manners described below; otherwise, it may be damaged, get out of order or overheated, possibly causing smoke, fire or electric shock. If the printer is damaged or breaks down, be sure to turn off the power, disconnect the power plug from the wall outlet, and contact your CBM dealer.**
 - Do not allow the printer to be subjected to any strong impact or shock, such as stamping, hitting, dropping, and the like.
 - Install the printer in a well-ventilated place. Do not use the printer in such a manner that its ventilation slots are blocked.
 - Do not install the printer in a place like a laboratory where chemical reactions are expected, or in a place where saltish gases are present in the atmosphere.
 - Use the printer only on the specified voltage and frequency.
 - Do not connect/disconnect the power cord or data cable by holding the cable.
 - Do not pull or carry the printer in such a manner that undesirable force is applied to the cables.
 - Do not drop or insert any foreign substances, such as paper clips or pins, into the printer.
 - Do not spill any liquid on or spray any chemical-containing liquid over the printer. If any liquid is spilled on the printer, turn it off, disconnect the power cord from the wall outlet, and contact your CBM dealer.
 - Do not connect the printer to an electrical outlet shared by other devices.
 - Do not disassemble or modify the printer in any manner; otherwise, a fire or electric shock may result.
 - Should water enter the equipment by any chance, unplug it and contact your CBM dealer. Using it in that condition may result in fire or electric shock.
 - Do not damage, break, alter, twist excessively, pull, or bundle the power cord. Avoid placing heavy objects on, or heating the power cord, as this may lead to damages to the power supply which may cause a fire, an electric shock, or a malfunction. Contact your CBM dealer if the power cord is damaged.
 - Do not overload a single electrical outlet by using a table tap or a current tap socket from it. This may result in fire or electric shock.
- **The plastic bag the printer came in must be disposed of properly or kept away from children. Wearing it over the head may lead to suffocation.**



PRECAUTIONS FOR INSTALLATION

- Do not use or store the iDP3240 Printer in a place exposed to heat of fire, moisture or direct sunlight, or in a place where the prescribed operating temperature and humidity are not met, or in a place exposed to oily mist, iron powder or dust; otherwise, the printer may get out of order, emit smoke or catch fire.
- Do not install the printer in a place like a laboratory where chemical reactions are expected, or in a place where saltish gases are present in the atmosphere; otherwise, there may occur a danger of fire or electric shock.
- Install the printer on a horizontal, sturdy table in a place provided with proper ventilation and free from any vibration. (Be careful not to block the ventilation slots of the printer.)
- Do not put any object on the printer, or this may cause a trouble.
- Do not use the printer near a radio or television receiver. Avoid sharing an electrical outlet with a radio or television receiver, or this may cause a reception problem.
- Use the printer only on the specified voltage and frequency; otherwise it may emit smoke, catch fire or cause other problems.
- Confirm that the wall outlet used for printer connection has sufficient electrical capacity.
- Avoid sharing a single electrical outlet with other devices; otherwise, the electrical capacity may be exceeded, causing the outlet to overheat or the power supply to be shut down. Also, do not stamp or put any object on the cables.
- Never connect the grounding cable to a gas pipe, or this may lead to a danger of explosion. Before connecting or disconnecting the grounding cable, be sure to disconnect the power plug from the wall outlet.
- Be sure to turn off the power of the printer and the host computer connected before connecting or disconnecting the cables; always hold both plug and cable. Do not pull or carry the printer in such a manner that an undesirable load is applied to the cables.
- Connect the connector cables correctly and securely. Especially, if a connection is made with the polarity reversed, internal elements inside the printer may be damaged or the host computer connected may be adversely affected.
- Use shielding wires or twist paired wires for signal lines in order to minimize the effects from noise. Avoid connecting to a device that is likely to generate much noise.
- When a drawer Kick-Out Connector is provided, do not connect it to any other device than solenoids with prescribed specifications, or this could cause trouble.
- Install and use the printer in a place provided with a suitable wall outlet nearby so that you can immediately disconnect the power plug to shut off the power to the printer if an abnormal condition occurs.
- When the equipment will not be used for a long period of time, unplug it.
- When transporting the equipment, remove the paper roll from it.



PRECAUTIONS FOR HANDLING

Observe the following precautions to use the iDP3240 Printer correctly and avoid troubles from occurring.

- Do not use any other power supply than the specified AC adapter.
- Do not allow the printer to start printing when there is no recording paper installed.
- Be careful not to drop foreign substances, such as paper clips, pins or screws, into the printer.
- Do not spill any liquid on the printer, or spray it with any chemical-containing liquid.
- Do not stamp on, drop, hit, or impart any strong shock to the printer.
- Never use any pointed object such as a pen, to operate the controls on the operation panel.
- Do not use cellophane tape to join the ends of paper to allow continuous printing.
- Never pull the end of the paper installed forcibly with the printer cover left closed.
- When opening/ closing the cover, be careful that the paper does not get caught.

To prevent injuries and associated damages:

- Do not touch the printing part of the print head.
- While the printer is turned on, never touch the moving parts inside, such as the cutter, gears, and electrical parts.
- Be careful to avoid bodily injuries or damaging other objects with edges of sheet metal parts.
- Should any abnormal condition occur while the printer is operating, stop it immediately and disconnect the power plug from the wall outlet.
- When opening/closing the cover, and so on, be careful not to catch your hand or finger on the equipment.
- Refer all necessary corrective actions to your CBM dealer (See “9. MAINTENANCE AND SERVICE” on Page 41.) Do not try to disassemble and repair the printer on your own.

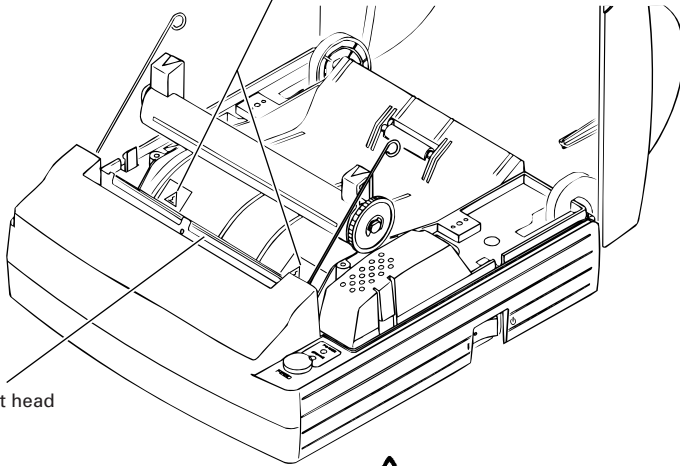


In the position indicated below, a label is provided to alert your attention. Read the cautionary information on it, and handle the printer properly.



This label alerts you to the print head as it becomes HOT, and if you touch it, you may get burnt.

Print head

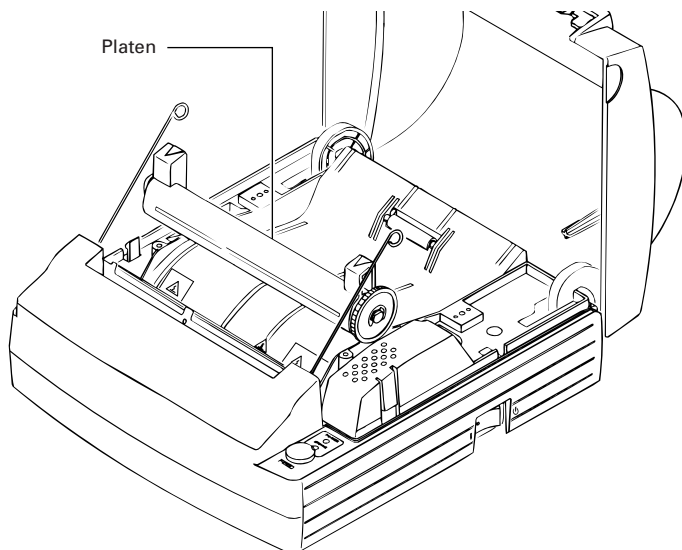


HOT AREA:

Be careful not to touch this area to avoid burns as it becomes HOT.

DAILY MAINTENANCE

- Prior to start maintenance work, be sure to turn off the printer.
- When cleaning the platen, use a cotton swab applied with ethyl alcohol and wipe off stains.



CAUTION:

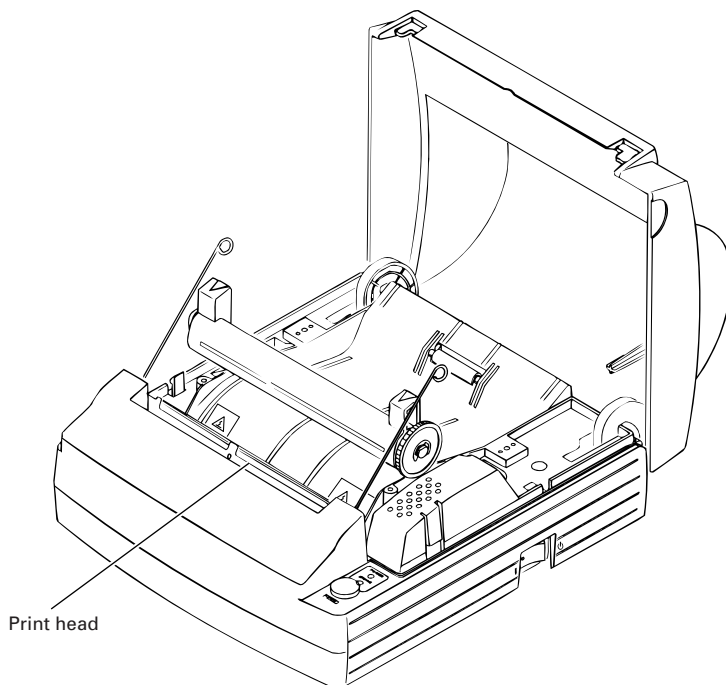
Avoid cleaning the print head immediately after printing is finished. The print head is HOT.

- Use a dry soft cloth to wipe off stains and dust from the surfaces of the printer covers.
- When wiping clean heavily stained areas, use a cloth which should be dipped in water and then wrung strongly. Never use organic solvents, such as alcohol, thinner, trichlene, benzene, ketone, or chemical dusters.
- If the printer is contaminated with paper dust, use a soft brush to wipe off.

DAILY MAINTENANCE

Cleaning the print head

- 1 Turn off the power of the printer.
- 2 Remove the platen roller unit. Refer to “4.6 Removing paper Jams”.
- 3 Using a gauze impregnated with a small amount of alcohol, wipe off stains and dust on the heat-emitting surface of the head.
- 4 Replace the platen roller unit.



CAUTION:

Avoid cleaning the print head immediately after printing is finished. The print head is HOT. Do not touch the heat-emitting surface of the head with bare hands or metal objects.

THE TABLE OF CONTENTS

1. GENERAL OUTLINE	1
1.1 Features	1
1.2 Unpacking	2
1.3 Before using the printer	3
2. BASIC SPECIFICATIONS	4
2.1 Model Classification	4
2.2 Basic Specifications	5
2.3 Print Paper Specifications	6
2.3.1 Recommended Paper	6
2.3.2 Print Position and Barcode Printing	7
2.3.3 Cutter Position	8
3. OUTER APPEARANCE AND COMPONENT PARTS	9
3.1 iDP3240	9
4. OPERATION	10
4.1 Connecting the AC Adapter and AC Power Cord	10
4.2 Connecting Interface Cables	11
4.3 Connecting the Drawer Kick-Out Connector	12
4.4 Setting / Replacing Paper Rolls	13
4.4.1 Setting Paper Rolls	13
4.4.2 Setting Paper Rolls when Easy Loading is Disabled	16
4.5 Removing the Remainder of Paper Rolls	17
4.6 Removing Paper Jams	18
4.7 Releasing a Locked Cutter	19
4.8 Cleaning the Print Head	20
4.9 Operation Panel and Error Indication	21
4.10 Self Printing	23
4.11 Hexadecimal Dump	24
5. SETTING DIP SWITCHES	25
5.1 Location of DIP Switches	25
5.2 Table for Setting DIP Switches	26

6. PARALLEL INTERFACE	29
6.1 Bidirectional Parallel Interface (IEEE1284)	29
6.1.1 Compatibility Mode (Host → Printer communication : Centronics compliant)	29
6.1.2 Reverse Mode (Printer → Host communication)	29
6.1.3 Connector Pin Configuration	30
6.2 Description of Input and Output Signals	31
6.2.1 Input and Output Signals	31
6.2.2 Electrical Characteristics	32
6.2.3 Timing Chart (Compatibility Mode)	33
6.2.4 Data Reception Control	33
6.2.5 Buffering	33
7. SERIAL INTERFACE	34
7.1 Specifications	34
7.2 Connector Pin Configuration	35
7.3 Description of Input and Output Signals	36
7.3.1 Input and Output Signals	36
7.3.2 Error Detection	37
7.3.3 Data Reception Control	37
7.3.4 Buffering	37
7.3.5 Electrical Characteristics	38
8. DRAWER KICK-OUT CONNECTOR AND POWER CONNECTOR... 39	
8.1 Specifications of Drawer Kick-Out Connector	39
8.1.1 Drawer Kick-Out drive signal	39
8.1.2 Electrical characteristics	39
8.1.3 Connector Pin Configuration	39
8.1.4 Drive Circuit	40
8.2 Specifications of the Power Connector	40
9. MAINTENANCE AND SERVICE	41

10. PRINT CONTROL FUNCTIONS	42
10.1 Command List	42
10.2 Command Details	45
10.2.1 Description of Each Item	45
10.2.2 Command Details	46
11. CHARACTER CODES TABLE	141
11.1 Code page	141
11.1.1 Codepage 00H to 7FH & PC437 (USA, European Standard)	141
11.1.2 Codepage Katakana (Japanese)	142
11.1.3 Codepage PC850 (Multilingual)	143
11.1.4 Codepage PC860 (Portuguese)	144
11.1.5 Codepage PC863 (Canadian-French)	145
11.1.6 Codepage PC865 (Nordic)	146
11.1.7 Codepage PC852 (Eastern Europe)	147
11.1.8 Codepage PC866 (Russian)	148
11.1.9 Codepage PC857 (Turkish)	149
11.1.10 Windows Codepage	150
11.2 International Character Codes Table	151
12. APPENDIX 1. PAGE MODE	152
12.1 Overview	152
12.2 Mapping of print data in the print area	153
12.2.1 Example of the Use of PAGE MODE	155
13. APPENDIX 2. BIDIRECTIONAL PARALLEL INTERFACE	158
13.1 Overview	158
13.1.1 Parallel Interface Communication Modes	158
13.1.2 Interfacing Phases	159
13.2 Negotiation	160
13.2.1 Overview	160
13.2.2 Negotiation Procedure	160
13.2.3 Precautions	161
13.2.4 Data Communication from Printer to Host	162
13.2.4.1 Nibble Mode	162
13.2.4.2 Byte Mode	163
13.2.5 Device ID	164
13.2.6 Termination	164

14. APPENDIX 3. IDENTIFICATION OF SEND STATUS	166
15. APPENDIX 4. OUTLINE DRAWING	167
15.1 iDP3240	167
15.2 AC Adapter (31AD)	168
16. APPENDIX 5. BLOCK DIAGRAM	169

INHALT

4. BETRIEB	179
4.1 Anschließen des Netzteils und Netzkabels	179
4.2 Anschließen der Schnittstellenkabel	180
4.3 Anschließen des Drawer Kickout-Steckers	181
4.4 Einlegen / Auswechseln von Papierrollen	182
4.4.1 Einlegen von Papierrollen	182
4.4.2 Einlegen von Papierrollen bei deaktiviertem einfachen Ladevorgang	185
4.5 Entfernen von Papierrollenresten	186
4.6 Beseitigen von Papierstaus	187
4.7 Freigeben eines verriegelten Papierschneiders	188
4.8 Reinigen des Druckkopfes	189
4.9 Bedienungsfeld und Fehleranzeige	190
4.10 Drucktest	192
4.11 Hexdump	193
5. EINSTELLEN DER DIP-SCHALTER	194
5.1 Position der DIP-Schalter	194
5.2 DIP-Schalertabelle	195
6. PARALLELE SCHNITTSTELLE	198
6.1 Bidirektionale parallele Schnittstelle (IEEE1284)	198
6.1.1 Kompatibilitätsmodus (Host → Druckerkommunikation: Centronics-kompatibel)	198
6.1.2 Reverse-Modus (Drucker → Hostkommunikation)	198
6.1.3 Belegung der Anschlußstifte	199
6.2 Beschreibung von Eingangs- und Ausgangssignalen	200
6.2.1 Eingangs- und Ausgangssignale	200
6.2.2 Elektrische Kenndaten	201
6.2.3 Timing-Tabelle (KompatibilitätsModus)	202
6.2.4 Datenempfangssteuerung	202
6.2.5 Datenpufferspeicher	202

7. SERIELLE SCHNITTSTELLE	203
7.1 Technische Daten	203
7.2 Belegung der Anschlußstifte	204
7.3 Beschreibung der Eingangs- und Ausgangssignale	205
7.3.1 Eingangs- und Ausgangssignale	205
7.3.2 Fehlererkennung	206
7.3.3 Datenempfangssteuerung	206
7.3.4 Pufferung	206
7.3.5 Elektrische Kenndaten	207
8. DRAWER KICKOUT- ANSCHLUSS UND STROMANSCHLUSS	208
8.1 Technische Daten des Drawer KickOut-Anschlusses	208
8.1.1 Drawer KickOut-Treibersignal	208
8.1.2 Elektrische Kenndaten	208
8.1.3 Belegung der Anschlußstifte	208
8.1.4 Treiberschaltung	209
8.2 Technische Daten des Stromanschlusses	209
9. WARTUNG UND KUNDENDIENST	210

Note:

Citizen,Citizen logo are registered trademark of Citizen Watch Co.,Ltd.
Windows codepage is a registered trademark of Microsoft Corporation.

1. GENERAL OUTLINE

The iDP3240 is a compact-sized, line thermal printer developed for a variety of applications. It has abundant built-in features, and can be used as a data communication terminal, pos terminal, kitchen terminal and for other applications.

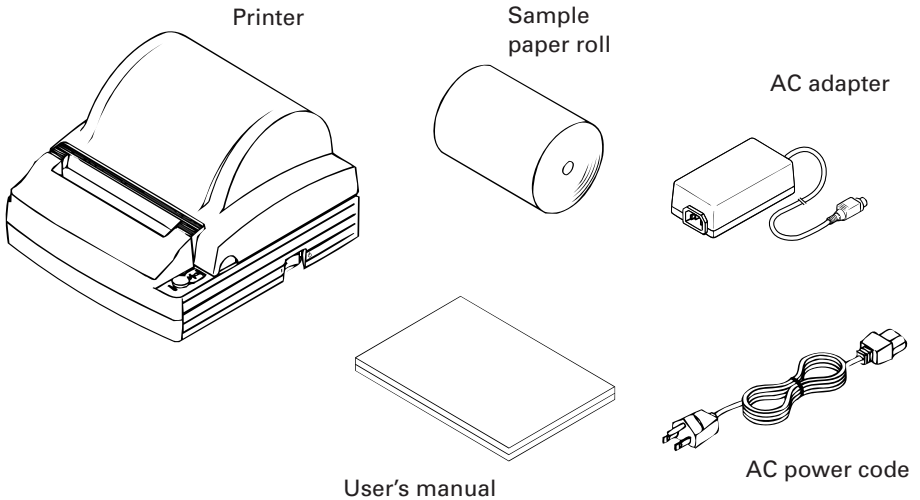
1.1 Features

- Compactness and lightweight with a small footprint.
- Low-cost design accomplished by using as small a component count as possible.
- Simple paper setting - All you have to do is just drop in a paper roll and closing the cover.
- Removable platen structure, which makes paper handling, head cleaning, and maintenance easy.
- Line thermal printing, which allows high-speed, low-noise operation.
- Registration of user-defined characters and logos into flash memory.
- Built-in input buffer.
- Bar-code printing (Possible using special commands).
- Built-in Drawer Kick-Out interface.
- Auto cutter mechanism provided as a standard unit.

1.2 Unpacking

When unpacking the printer, confirm that the following are provided:

- Printer 1 unit
- Sample paper roll 1 piece
- AC adapter 1 piece
- AC power cord 1 piece
- User's manual (This book) 1 piece

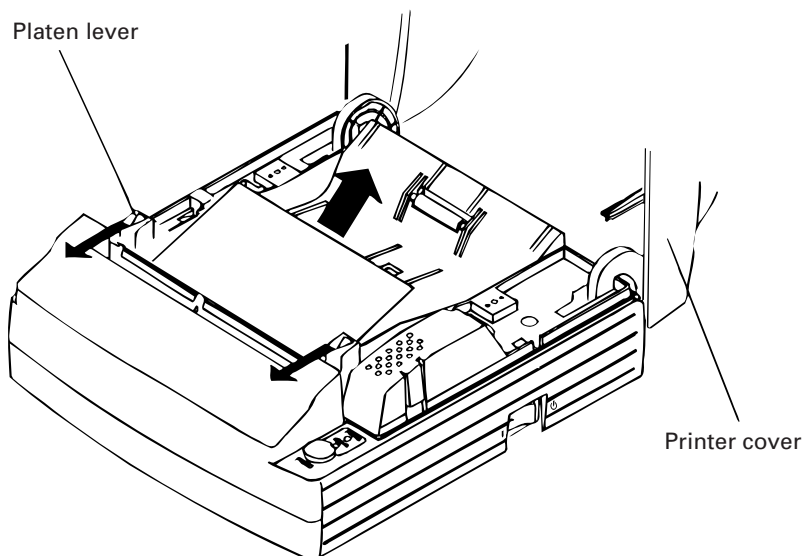


1.3 Before using the printer

Before using the printer, remove the head protective paper using the following procedure:

- 1 Open the printer cover.
- 2 Pull the platen levers in the direction shown.
- 3 Pull out the protective paper in the direction of the arrow.

When the printer is not used for a prolonged period of time, insert a sheet of printing paper in use between the platen roller and the head.



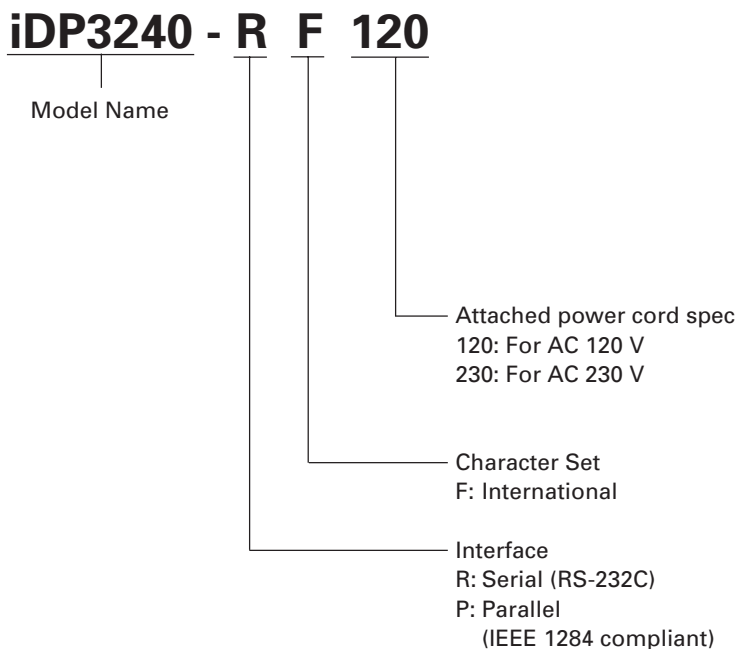
CAUTION:

- Install the printer on a flat, sturdy table.
- Do not install the printer near a heater or in a place exposed to direct sunlight.
- Do not use the printer in a high-temperature, high-humidity, or heavily contaminated environment.
- Do not use the printer in an environment where condensation may occur. If condensation should occur, leave the power turned off until condensation evaporates completely.

2. BASIC SPECIFICATIONS

2.1 Model Classification

The printer models are classified by the following designation method:



* Dedicated adapter type and power cord:

31AD-U (AC 120 V 3-wire cord)

31AD-E (AC 230 V Class I cord)

2.2 Basic Specifications

Item	Model	
	iDP3240-RF120 iDP3240-PF120	iDP3240-RF230 iDP3240-PF230
Print method	Line thermal dot print method	
Print width	104 mm/832 dots	
Dot density	8 dots/mm (203 dpi)	
Print speed	80 mm/sec (Fastest, printing ASCII, print density level 2, applicable to printing of 60 or fewer columns)	
Number of print columns* ¹	Font A: 69/60 columns (12 × 24) Font B: 92/80 columns (9 × 24)	
Character size	Font A: 1.25 × 3.00 mm; Font B: 0.88 × 3.00 mm	
Character type	Alphanumeric characters, International characters, Codepages PC437, Katakana, PC850, PC860, PC863, PC865, PC852, PC866, PC857, and Windows codepage	
Logo registration/print	Capable of registering user-defined characters and logos into flash memory.	
NV bit map data area	256K bytes	
Types of bar code	UPC-A/E, JAN (EAN) 13/8 columns, ITF CODE 39, CODE 128, CODABAR, CODE 93	
Line spacing	4.23 mm (1/6 inches); selectable using commands.	
Paper	Thermal paper roll: 112 mm +0/-1 × φ 83 mm (See "2.3 Print Paper Specifications".)	
Interfacing	Serial (RS-232C), Parallel (IEEE1284 compliant, Bi-directional communication)	
Input buffer	64K bytes (4K bytes selectable with a DIP switch)	
Supply voltage	DC 24 V ±7%	
Power consumption	Approx. 100 W	
AC adapter spec.	Rated input: AC 120 to 240 V, 50/60 Hz, 120 VA Rated output: DC 24 V, 1.9 A	
	Type	31AD-U 31AD-E
Weight	Main body: Approx. 1.3 kg; AC adapter: Approx. 0.45 kg	
Outside dimensions	186 (W) × 201 (D) × 123 (H) mm	
Operating temperature and humidity	5 to 40°C; 35 to 85% RH (No condensation)	
Storage temperature and humidity	-20 to 60°C; 10 to 90% RH (No condensation)	
Reliability	Print head life: Pulse resistance 1 × 10 ⁸ pulses (Print ratio 12.5%) Wear resistance 100 Km (At normal temperature/humidity with recommended paper used) Auto cutter life: 500,000 times of cutting (At normal temperature/humidity with recommended paper used)	
Safety Standard* ²	UL, C-UL, FCC Class A	TUV, GS, CE marking

*¹ The number of print columns can be selected with the DIP switch.

*² Represents the safety standards acquired when CBM-made adapters (31AD series) are used.

2.3 Print Paper Specifications

2.3.1 Recommended Paper

- Type: Heat sensitive paper
- Paper width: 112 + 0/- 1 mm
- Paper thickness: 65 ± 5 µm
- Roll diameter: φ83 mm or less
- Print side: Outer side of the roll (Top surface)
- Recommended paper: F220VP/ HP220A (From Mitsubishi Paper)
TF50KS-E2C (From Nippon Paper)
KF50-HDA (From Oji Paper)
or equivalent types of paper
- Core size: φ12 mm (Inside diameter); φ18 mm (Outside diameter)



CAUTION:

- Use of paper other than the specified papers may cause a difference in print density from the CBM specifications. In that case, you can select an appropriate print density with a DIP switch. (See "5. SETTING DIP SWITCHES")
- Do not stick the end of paper to the core with adhesive paste.
- Avoid allowing the surface of paper to contact with chemicals or oils; otherwise, it may get colored or the printed data on it may become erased.
- Avoid scraping on the surface of paper with your nail or a metal object; otherwise, the surface of heat-sensitive paper may get colored.
- Heat-sensitive paper starts getting colored at approx. 70°C; so, be careful not to expose the paper to the effects from heat, humidity, or sunlight.

2.3.2 Print Position and Barcode Printing

Roll paper width 112 mm provided:

Paper width 112 mm applies to printing area 103.5 mm (832 dots), and both left and right margins each ca. 4.25 mm.

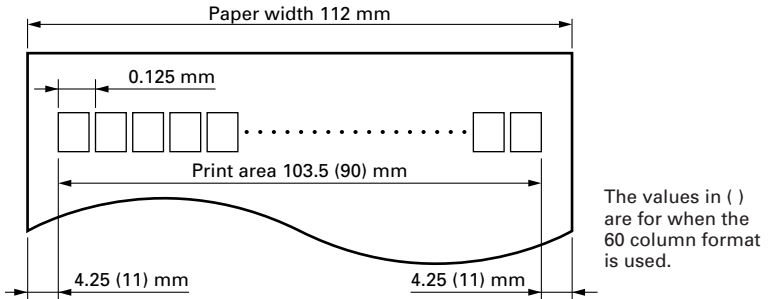


Figure 1 Printing Area 1

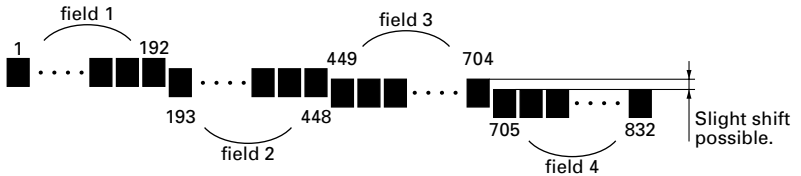
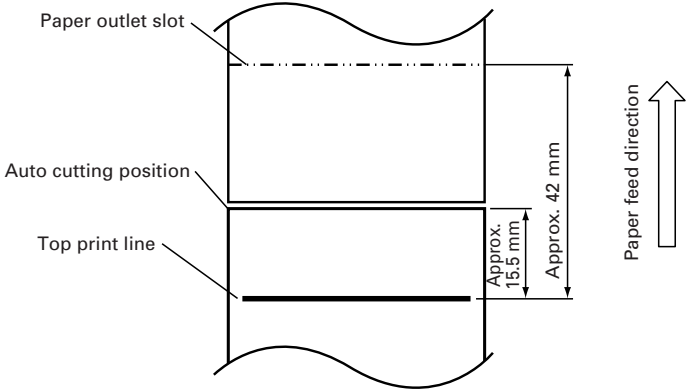


Figure 2 misaligned printing

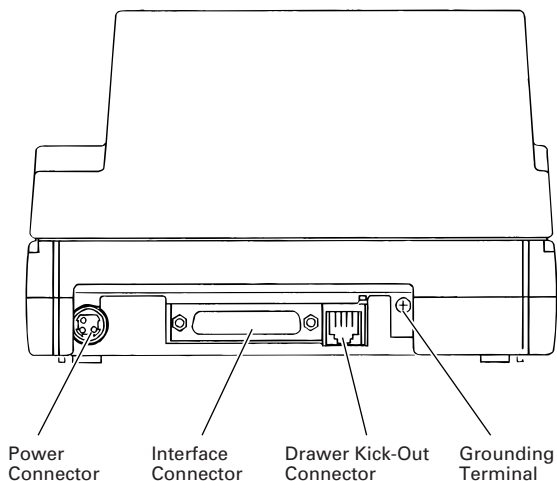
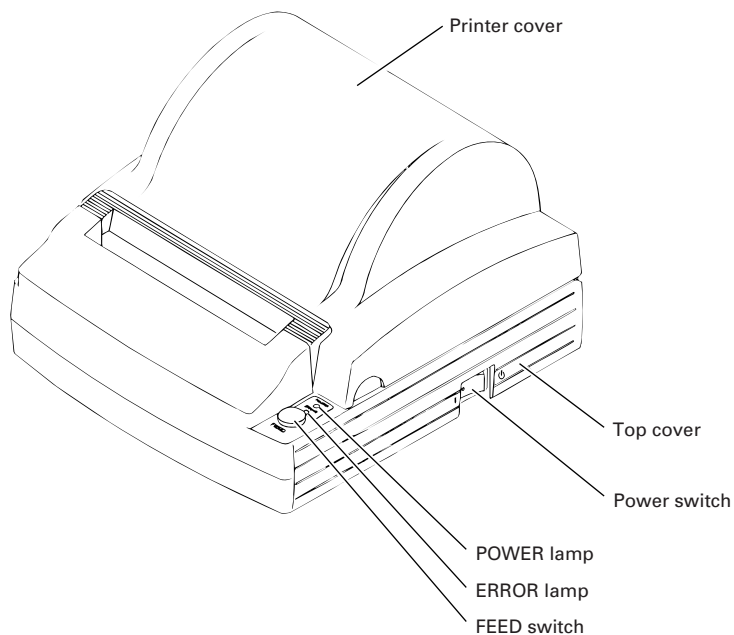
Note: Between the left and right margins, four dot fields of the heating element are available: Dot field 1 is comprised of dots 1 - 192, dot field 2 of dots 193 - 448, dot field 3 of 449 - 704, and dot field 4 of 705 - 832. The printing position of each dot field is slightly shifted relative to its adjacent dot fields, as shown in Figure 2. This means that if a ladder bar code is printed over two adjacent dot fields, it would appear "stepped" up or down in the middle, possibly affecting the reading of the bar code adversely. So, be sure to avoid printing bar codes over two adjacent dot fields.

2.3.3 Cutter Position



3. OUTER APPEARANCE AND COMPONENT PARTS

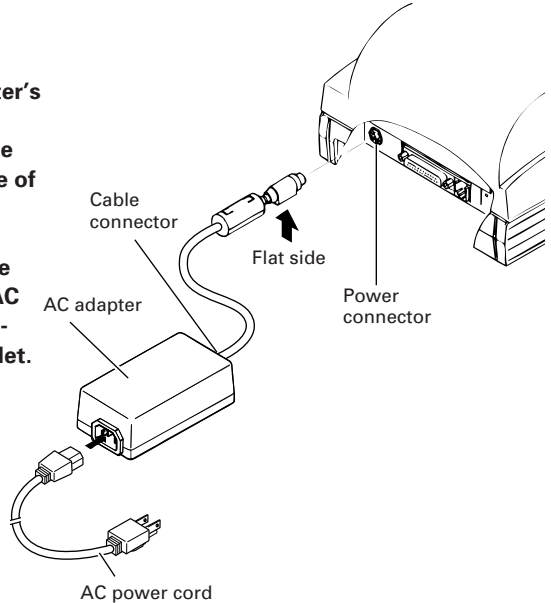
3.1 iDP3240



4. OPERATION

4.1 Connecting the AC Adapter and AC Power Cord

- 1** Turn off the power of the printer.
- 2** With the flat side of the AC adapter's cable connector facing upward, insert the cable connector into the power connector on the back side of the printer.
- 3** Connect the AC power cord to the AC adapter of the printer or the AC adapter, and insert the AC power-cord plug into a suitable wall outlet.

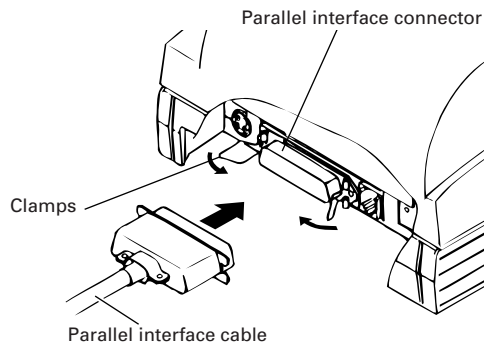
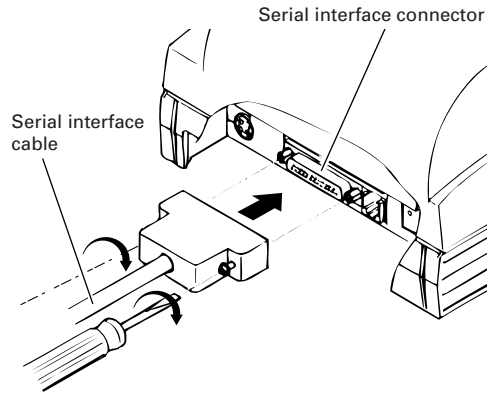


CAUTION:

- Do not use any AC adapter other than specified.
- When connecting or disconnecting the cable connector of the AC adapter, always pull on the connector, not on the cable.
- The AC power cord should be connected to a wall outlet separated from others used by other equipment which tend to emit noise.
- Avoid pulling on the AC adapter cord, or the cord may be damaged or broken, causing a fire, electric shock.
- When the thunder rumbles nearby, disconnect the AC adapter from the wall outlet to avoid using the printer; otherwise, a thunderbolt may cause a fire or electric shock.
- Avoid placing the AC adapter cord near a heating device; otherwise, the cover of the cord may melt, causing a fire or electric shock.
- When you are not going to use the printer for a long period of time, disconnect the AC adapter from the wall outlet for safety.

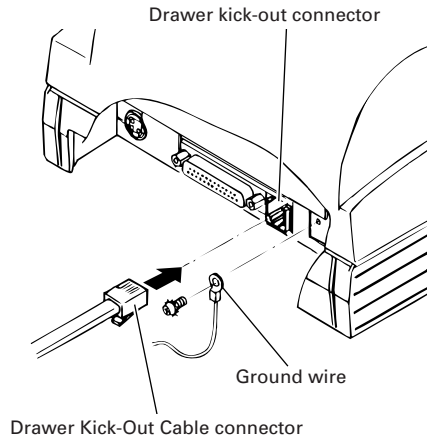
4.2 Connecting Interface Cables

- 1** Turn off the power of the printer. (As well as the host computer connected.)
- 2** Orienting the interface cable terminal correctly, insert it into the interface connector.
- 3** Secure the cable terminal as shown below.
Serial interface cable: Fasten the connector with screws.
Parallel interface cable: Hold the connector with clamps.
- 4** Connect the other end of the interface cable to the host computer.



4.3 Connecting the Drawer Kick-Out Connector

- 1** Turn off the power of the printer.
- 2** Orienting the Drawer Kick-Out Cable Connector correctly, insert it into the Drawer Kick-Out Connector on the back of the printer.
- 3** Fasten the ground wire to the ground connector on the printer with a screw.



CAUTION:

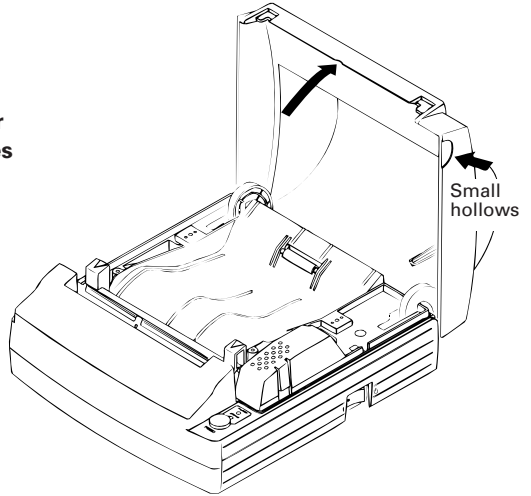
- Do not connect any other device than the specified drawer (Solenoid) to the Drawer Kick-Out Connector. (Do not connect a telephone line either.)

4.4 Setting / Replacing Paper Rolls

4.4.1 Setting Paper Rolls

1 Turn on the power of the printer.

2 Placing your hands on the small hollows on both sides of the printer cover, lift the cover up until it comes to a stop.

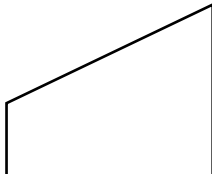


3 Cut the end of the paper roll at right angles and in a straight line.

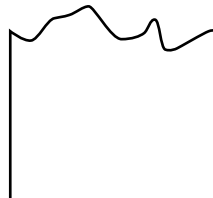
Good



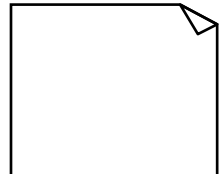
No Good



No Good

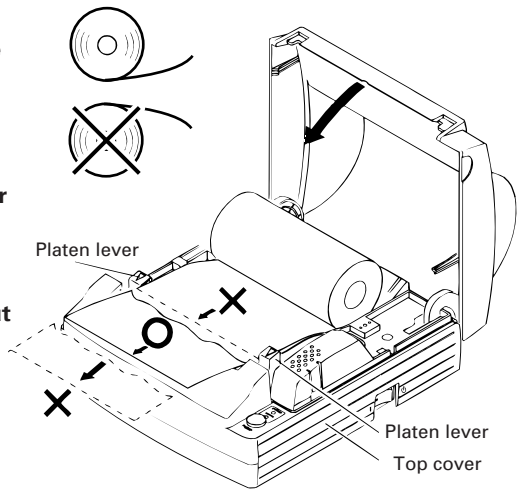


No Good

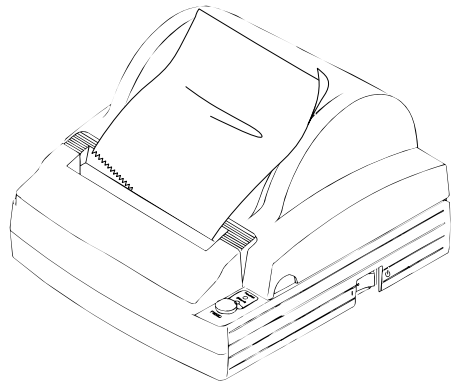


4 Check the winding direction of the paper roll, and then place it into the paper roll holder in the Top cover.

5 With the paper roll placed between the platen levers on both sides of the printer, pull the end of the paper roll out up to the end of the Top cover, and close the printer cover. The paper roll is set to come out of the printer through the paper output slot automatically.



6 Cut off the portion of the paper that is out of the printer using the tear bar on the auto cutter.



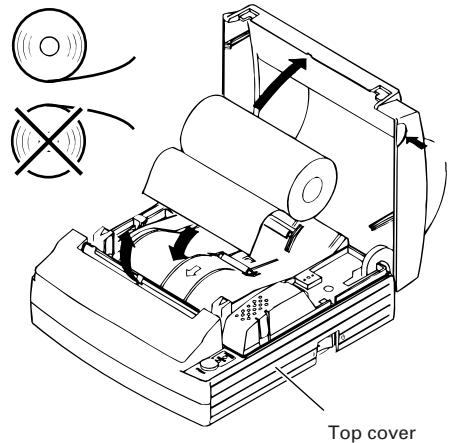


CAUTION:

- Always use the specified types of paper roll.
- Use of other types of paper roll may not be able to guarantee the specified print quality or service life of the printer.
- Pull out the end of the paper roll up to the end of the upper cover.
The end of the paper should not go beyond or short of the end of the Top cover.
- When the paper roll is set, the paper end may sometimes come out folded over.
- If the paper roll is set inclined, pull the platen levers to adjust the position of the paper roll.
- During printing, do not open the printer cover.
- If the paper fails to come out of the paper output slot, check to make sure the paper end is properly cut, and then reset the paper roll. Also, after the printer has been used for prolonged periods of time, the platen roller may have been covered with paper debris, which may prevent the paper from coming out. If this happens, use a soft cloth dabbed with ethyl alcohol to wipe the paper debris off the surface of the platen roller.
- When the paper fails to come out of the paper output slot, you can set the paper roll using the procedure below:
 1. While having the end of the paper roll inserted straight between the platen roller and the head, press the FEED switch. The paper is pulled in by the platen roller and guided into the auto cutter. (The of end of the paper will slightly stick out of the paper output slot of the cutter.)
 2. After closing the printer cover, the paper will be fed for a few more lines and then automatically cut. Now, the printer is ready for printing. Remove the piece of paper cut off.

4.4.2 Setting Paper Rolls when Easy Loading is Disabled ("5.2" DS1-3 ON)

- 1** Follow steps 1 to 4 in "4.4.1 Setting Paper Rolls".
- 2** Insert the end of the paper roll straight between the platen roller and the head.
- 3** The paper is automatically pulled in by the platen roller and guided into the auto-cutter. (The end of the paper will slightly stick out of the paper output slot of the cutter.)
- 4** After closing the printer cover, the paper will be fed for a few more lines and then automatically cut. Now, the printer is ready for printing. Remove the piece of paper cut off.

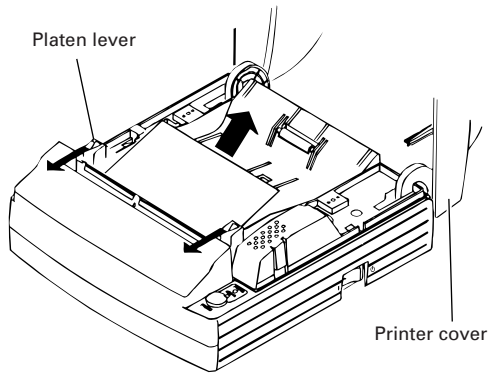


CAUTION:

- Always use the specified types of paper roll.
- Use of other types of paper roll may not be able to guarantee the specified print quality or service life of the printer.
- If the paper is slack, roll back the paper slightly to remove the slack. If there is too much slack, the paper may be too far from the paper sensor, possibly causing items 3 and 4 in "4.4.2 Setting Paper Rolls when Easy Loading is Disabled" to occur.
- If the paper roll is inclined, pull the platen levers to adjust the position of the paper roll.
- During printing, do not open the printer cover.

4.5 Removing the Remainder of Paper Rolls

- 1 Open the printer cover.
- 2 Pull both platen levers in the direction of the arrows to separate the platen roller from the head, and then pull out the paper roll.

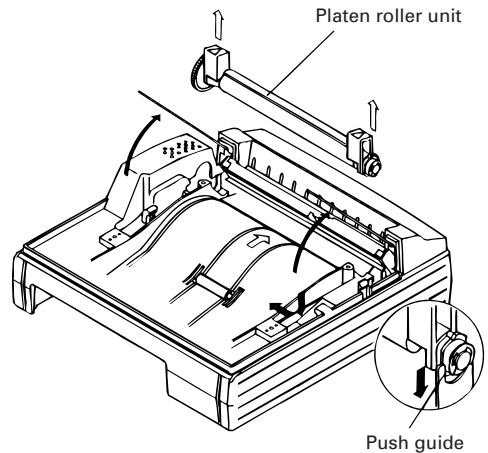
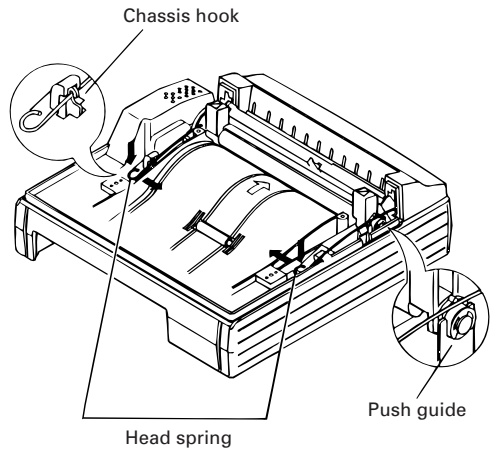


CAUTION:

When removing the paper roll (in either direction), the platen levers must be pulled.

4.6 Removing Paper Jams

- 1** Turn off the power of the printer.
- 2** Open the printer cover.
- 3** Cut the paper near the paper insertion slot.
- 4** Move the head springs on both sides in the direction of arrows to unhook them from the chassis hooks, and lift them up.
- 5** Hold and lift the platen levers, and the platen roller unit can be removed.
- 6** Remove any paper remaining in the paper path.
- 7** Holding the platen roller unit in the correct orientation, install it into the printer with its bushes fitted in the bush guides on the chassis.
- 8** While pushing on the platen roller unit lightly, lower the head springs to hook them to the chassis hooks.

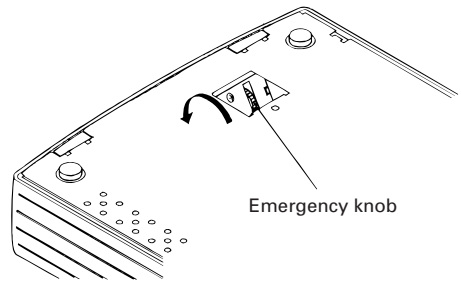


CAUTION:

- Do not attempt to do anything inside the printer immediately after printing because the head and motor are very hot.
- Do not force the head springs to move beyond their moving range.
- When removing remaining paper, do not touch the heated surface of the head with bare hand or with metal.
- After inserting the platen roller, be sure to confirm that it has been set correctly.
- When removing the platen roller unit, the power must be turned off.

4.7 Releasing a Locked Cutter

- 1** Remove any paper in the paper path following the procedure in "4.6 Removing Paper Jams".
- 2** Turn on the power of printer. The auto cutter initializes itself, returning the cutter blade to the normal position. The alarm condition is also cleared.
- 3** If Step 2 failed to return the cutter blade and clear the alarm, then turn the printer off and using a pair of tweezers or a screwdriver, rotate the emergency knob located in a hole at the bottom of the printer in the direction shown to return the cutter blade.
- 4** Use a pair of tweezers to remove any remaining paper around the cutter blade.

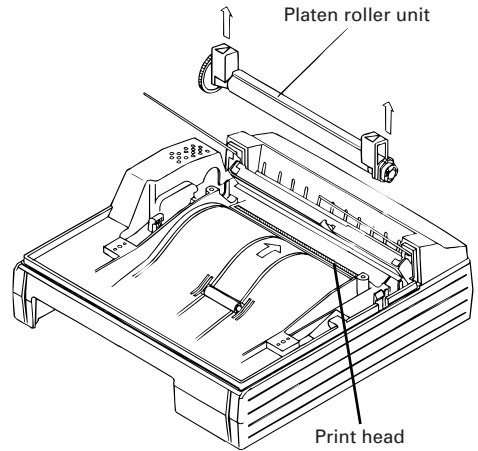


CAUTION:

- Do not attempt to do anything inside the printer immediately after printing because the head and motor are very hot.
- When removing remaining paper, do not touch the heated surface of the head with bare hand or with metal.
- By using the DIP switch, you can either engage or disengage the cutter. When using the printer with the cutter disengaged, make sure that the cutter blade has been completely returned. If it has not, follow the above procedure to return it.

4.8 Cleaning the Print Head

- 1** Remove the platen roller unit following the procedure in "4.6 Removing Paper Jams".
- 2** Wipe off stains, such as dust and the like, on the heating element of the head using a cotton swab impregnated with ethyl alcohol.
- 3** Replace the platen roller unit.



CAUTION:

- Do not touch the heat-emitting surface of the head with bare hands or metal objects.
- Do not attempt to do anything inside the printer immediately after printing because the head and motor are very hot.
- When removing the platen roller unit, the power must be switched off.


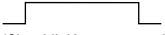




4.9 Operation Panel and Error Indication

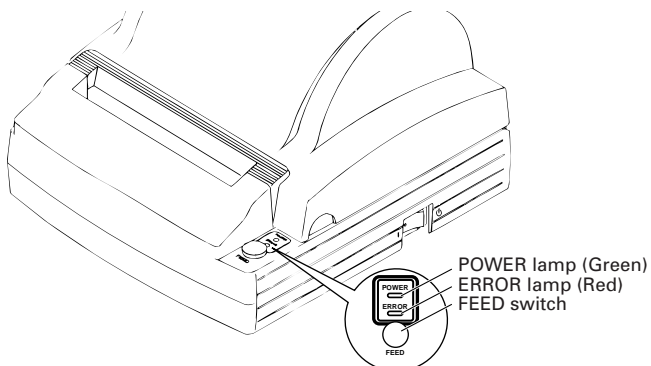
POWER lamp (Green)

Lights when the power is turned on. It blinks when a memory check error has occurred.

ERROR lamp (Red)

Lights or blinks to show different error states.

Error indication	POWER LED	ERROR LED	Recovery method
Memory check error	 (Quick blinking)	Lights	Not recoverable
Cover open	Lights	Lights	Close the cover
Head overheat	Lights	 (Slow blinking 1.5 second)	Recovers automatically when the temperature returns to normal
Paper Near-end	Lights	Lights	Set a new paper roll
Paper end	Lights	Lights	Set a new paper roll
Cutter motor lock	Lights	 (Quick & Slow blinking)	Remove paper jams
Macro execution wait	Lights	 (Slow blinking)	Press the FEED switch
Low voltage error	Lights	 (Quick & Slow blinking)	Not recoverable
High voltage error	Lights	 (Quick & Slow blinking)	Not recoverable



Description of errors

- Cover open: When you open the printer cover, the cover open sensor is activated, causing the ERROR LED to light and the printing operation to stop. However, by making a proper setting on the DIP switch, the paper can be fed through the printer with the cover open.
- Head overheat: To protect the print head from being overheated, the head temperature sensor is activated if the head temperature rises over approx. 65°C, causing the ERROR LED to blink and the printing operation to stop. Printing resumes automatically when the head temperature lowers below approx. 60°C.
- Paper Near-end: When the diameter of the paper roll becomes small, the Paper Near End sensor located on the side of the upper cover roller will be activated. An ERROR light will come on to indicate that the paper supply has become low. (See "Selecting the Paper Sensor valid for a paper end signal output" and "Selecting the Paper Near-end Sensor valid for print stop" described in "10. PRINT CONTROL FUNCTIONS".)
- Paper end: When the paper roll has run out, the Paper end-Sensor located near the print head on the paper path detects the end of the paper roll, causing the ERROR LED to light and printing to stop. (See "Selecting the Paper Sensor valid for a paper end signal output" and "Selecting the Paper Near-end Sensor valid for print stop" described in "10. PRINT CONTROL FUNCTIONS".)
- Cutter motor lock: While the cutter motor is running, if the cutter position detecting sensor inside the cutter unit remains ON or OFF for approx. 1 second or more, the printer determines that the motor has locked, causing the cutter operation and printing to stop. (See "4.7 Releasing a Locked Cutter".)
- Low voltage error: Occurs when the voltage supplied to the printer decreases ; if this has occurred, turn the power off immediately.
- High voltage error: Occurs when the voltage supplied to the printer increases ; if this has occurred, turn the power off immediately.

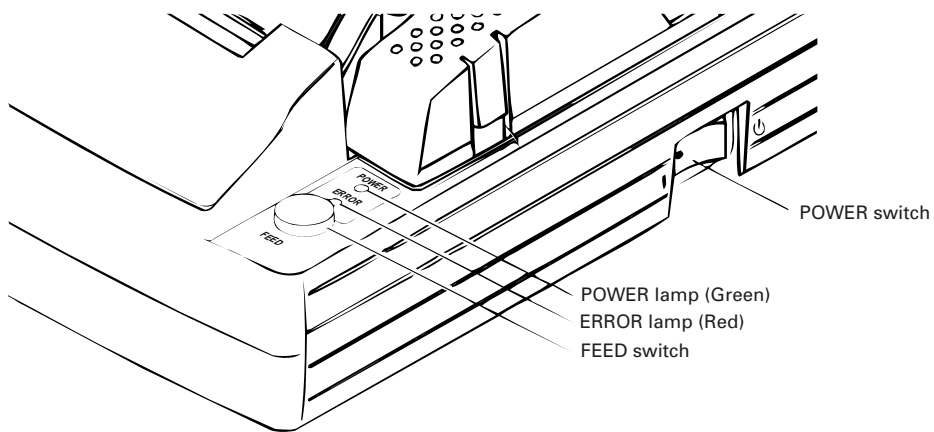
FEED switch

- Pressing this switch briefly causes one line of paper feeding. Holding down the switch causes continuous paper feeding.
- While a macro is waiting to be executed, pressing the switch causes the macro to be executed.

4.10 Self Printing

Performing Self Printing

If you press the POWER switch while holding down the FEED switch, self printing is performed.

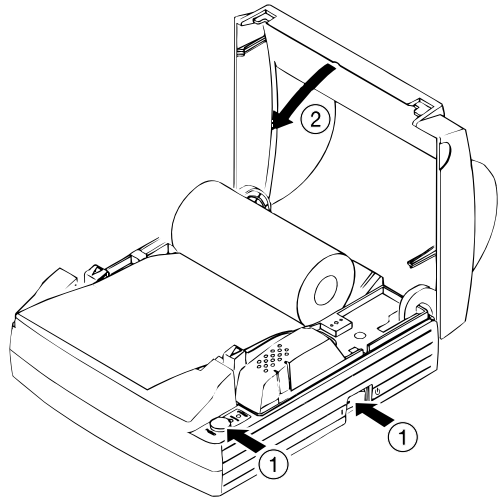


4.11 Hexadecimal Dump

Hexadecimal dump function allows data sent from the host computer to be printed in hexadecimal numbers as well as in characters corresponding to the numbers.

Starting hexadecimal dump

- 1** Open the top cover.
- 2** While pressing the FEED switch, turn on the power of the printer "①".
- 3** When you close the cover "②", a message "Hexadecimal Dump" is printed on paper, and then the data received afterward is printed in hexadecimal numbers and the corresponding characters.
 - If a character is not available corresponding to the data received, "." is printed instead.
 - During hexadecimal dump, no other functions than DLE EOT and DLE ENQ work.
 - If the data received is not enough for a full line, pressing the FEED switch causes the line to be printed.



<Example of hexadecimal dump>

```
=== Hexadecimal Dump ===  
19 40 08 09 08 09 08 09 08 09  .@.....  
08 09 30 30 68 20 70 69 20 31  ..00h pi l  
60 68 09 19 21 00 20 21 20 21  `h.!. !!  
20 21 20 21 28 29 28 29 A9 29  ! !()()-)  
28 29 30 31 30 31 30 31 30 31  ()01010101
```

Quitting hexadecimal dump

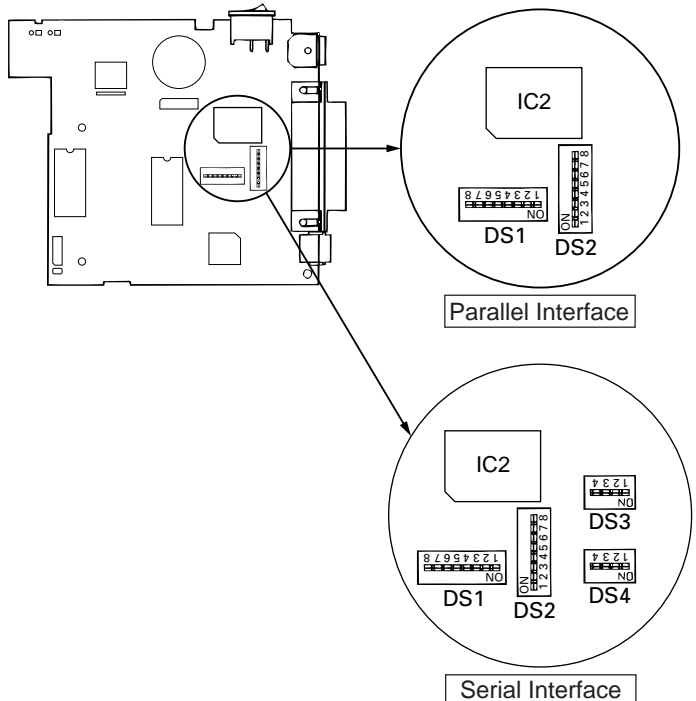
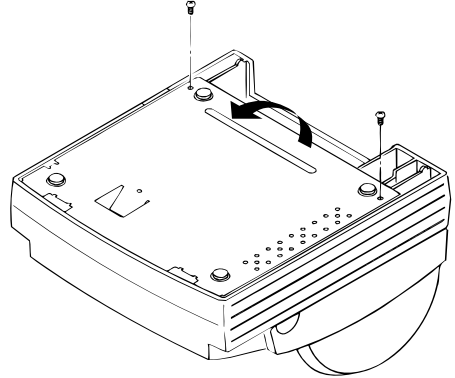
- 4** After hexadecimal printing, this function is terminated when you turn off the power or when a reset signal is received from the interface.

5. SETTING DIP SWITCHES

5.1 Location of DIP Switches

To access the DIP switches, follow these steps:

- 1** Turn off the power of the printer.
- 2** Disconnect the Power Unit Connector.
- 3** Remove the back cover.
(Unfasten the two screws and lift the back cover in the direction of the arrow.)



5.2 Table for Setting DIP Switches

DIP switch 1

No.	Function	ON	OFF	Factory setting
1	Auto cutter	Available	Not available	ON
2	Cover open	Invalid	Valid	OFF
3	Easy Loading	Invalid	Valid	OFF
4	Print columns	60 columns	69 columns	OFF
5	CR mode	LF Operation	Ignored	OFF
6	Input buffer	4K bytes	64K bytes	OFF
7	Print density	See the table below		ON
8				OFF

Print density (DIP switch 1)

No.	Print density	Level 1 (Light)	Level 2 (Standard)	Level 3 (Slightly dark)	Level 4 (Dark)
7		OFF	ON	OFF	ON
8		OFF	OFF	ON	ON

Note: If print density is set to level 2 or over, print speed may decrease.

DIP switch 2

No.	Function	ON	OFF	Factory setting
1	Character code	See the table below.		OFF *
2	Character code			OFF *
3	Character code			OFF *
4	Character code			OFF *
5	JIS/Shift JIS	Shift JIS	JIS	OFF
6	Condition for BUSY to occur	Reception buffer full	<ul style="list-style-type: none"> • Off-line • Reception buffer full 	OFF
7	Unused	—	—	OFF
8	Unused	—	—	OFF

* : Depends on destinations.

Selection of Character Code tables (DIP switch 2)

Code page	No.	1	2	3	4
	Codepage PC437 (USA, European Standard)		OFF	OFF	OFF
Codepage Katakana (Japanese)		ON	OFF	OFF	OFF
Codepage PC850 (Multilingual)		OFF	ON	OFF	OFF
Codepage PC860 (Portuguese)		ON	ON	OFF	OFF
Codepage PC863 (Canadian-French)		OFF	OFF	ON	OFF
Codepage PC865 (Nordic)		ON	OFF	ON	OFF
Codepage PC852 (Eastern Europe)		OFF	ON	ON	OFF
Codepage PC866 (Russian)		ON	ON	ON	OFF
Codepage PC857 (Turkish)		OFF	OFF	OFF	ON
Windows Codepage		ON	OFF	OFF	ON
Not defined		—	—	—	—
•		—	—	—	—
Blank page		ON	ON	ON	ON

“Blank page” is an area for user registration, and is blank (Space) by default. When “Katakana” is selected, the international character is set for Japanese.

DIP switch 3

No.	Function	ON	OFF	Factory setting
1	Bit length	7 bits	8 bits	OFF
2	Parity	Available	Not available	OFF
3	Odd /Even	Even number	Odd number	OFF
4	Communication mode	XON/XOFF	DTR/DSR	OFF

DIP switch 4

No.	Function	ON	OFF	Factory setting
1	Baud rate	See the table below.		OFF
2	Baud rate			ON
3	DSR	Reset	DSR	OFF
4	INIT	Reset	—	OFF

Baud rate (DIP switch 4)

No. \ Baud rate	1	2
2400	OFF	OFF
4800	ON	OFF
9600	OFF	ON
19200	ON	ON

Note: Dip switches 3 and 4 are only for serial interface.

6. PARALLEL INTERFACE

6.1 Bidirectional Parallel Interface (IEEE1284)

6.1.1 Compatibility Mode (Host → Printer communication : Centronics compliant)

- General description

This printer provides Compatibility Mode, which specifies the Centronics interface conventionally used for a wide variety of applications.

- Specifications

Data transfer method:	8-bit parallel
Synchronizing method:	Controlled by nStrobe signal externally supplied
Handshaking:	Handled by nAck and Busy signals
Signal level:	All signals are C-MOS compatible

6.1.2 Reverse Mode (Printer → Host communication)

Data transfer from the printer to the host computer is conducted in Nibble or Byte Mode. (For details, See "APPENDIX 2. BIDIRECTIONAL PARALLEL INTERFACE".)

Outline

The reverse mode has been devised to handle data transfer from an asynchronous printer controlled by a host computer.

In Nibble Mode, data is transferred, 4-bits (A nibble) at a time, using traditional control lines. In Byte Mode, data is transferred by making 8-bit data lines bi-directional. Note that either mode cannot work simultaneously with Compatibility Mode, thus resulting in half-duplex transmission. (For details, See "APPENDIX 2. BIDIRECTIONAL PARALLEL INTERFACE".)

6.1.3 Connector Pin Configuration

Pin	Source	Compatibility Mode	Nibble Mode	Byte Mode
1	Host	nStrobe	HostClk	HostClk
2	Host/Ptr	Data0(LSB)	Data0(LSB)	Data0(LSB)
3	Host/Ptr	Data1	Data1	Data1
4	Host/Ptr	Data2	Data2	Data2
5	Host/Ptr	Data3	Data3	Data3
6	Host/Ptr	Data4	Data4	Data4
7	Host/Ptr	Data5	Data5	Data5
8	Host/Ptr	Data6	Data6	Data6
9	Host/Ptr	Data7(MSD)	Data7(MSD)	Data7(MSD)
10	Printer	nAck	PtrClk	PtrClk
11	Printer	Busy	PtrBusy/Data3.7	PtrBusy
12	Printer	PError	AckDataReq/Data2.6	AckDataReq
13	Printer	Select	Xflag/Data1.5	Xflag
14	Host	nAutoFd	HostBusy	HostBusy
15		NC	ND	ND
16		GND	GND	GND
17		FG	FG	FG
18	Printer	+5V	+5V	+5V
19		GND	GND	GND
20		GND	GND	GND
21		GND	GND	GND
22		GND	GND	GND
23		GND	GND	GND
24		GND	GND	GND
25		GND	GND	GND
26		GND	GND	GND
27		GND	GND	GND
28		GND	GND	GND
29		GND	GND	GND
30		GND	GND	GND
31	Host	nInit	nInit	nInit
32	Printer	nFault	nDataAvail/Data0.4	nDataAvail
33		GND	ND	ND
34	Printer	DK_STATUS	ND	ND
35	Printer	+5V	ND	ND
36	Host	nSelectIn	1284-Active	1284-Active

NC: Not Connected

ND: Not Defined

Applicable connectors

Printer side: 57LE-40360 (Amphenol) or equivalent

Cable side: 57-30360 (Amphenol) or equivalent



CAUTION:

- The first letter “n” of each signal name indicates that the signal is active “L”.
- If any one of the above signals is not available, bidirectional communication cannot be accomplished.
- In interfacing signals, be sure to use twist-paired wires for signal lines, and the return side must be connected to signal ground level.
- All interfacing conditions are specified based on C-MOS level and must satisfy the following characteristics. Also, specify the rising and falling time of each signal as 0.5 μ s.
- Avoid transferring data by ignoring nAck or Busy signal; otherwise, the data may be erased.
- Make the interface cables as short as necessary.

6.2 Description of Input and Output Signals

6.2.1 Input and Output Signals

Input signals to the printer

- Data: An 8-bit parallel signal. (Active “High”)
- nStrobe: A strobe signal to help read 8-bit data. (Active “Low”)
- nInit: A signal to reset the entire printer functions. (Active “Low”)
- nSelectIn: This signal is made “High” when the printer is changed to IEEE 1284 mode.

Output signals from the printer

- nAck: An 8-bit data request signal, which is output at the end of a Busy signal. (Active “Low”)
- Busy: A signal to indicate a busy state of the printer. Input new data when this signal is “Low”. (Active “High”)
- nFault: This signal becomes “Low” when alarmed. At this time, all control circuits in the printer are deactivated. (Active “Low”)
- PError: A signal to indicate that the paper supply has become low or has run out completely. (Active “High”)
- DK_STATUS: This signal becomes “High” when the switch is open, and “Low” when it is closed.

Power related signal

- +5 V: A 5 V signal, which is pulled up by a 3.3 K Ω resistor.
- GND: Common ground on circuits.

6.2.2 Electrical Characteristics

Input signal level (nStrobe, Data 0-7)

All the input signals are at the C-MOS level.

“HIGH” level: 4.0 V minimum

“LOW” level: 0.9 V maximum

Output signal level

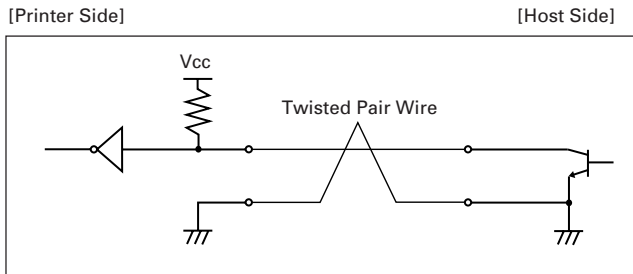
All the output signals are at the C-MOS level.

“HIGH” level: 2.4 V minimum

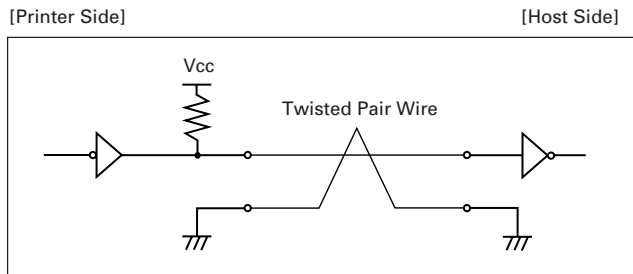
“LOW” level: 0.4 V maximum

Input and output conditions

All the input signals, Data 0-7, are each pulled up with 50 kΩ resistor, and the other input signals are each pulled up with a 3.3 kΩ resistor.

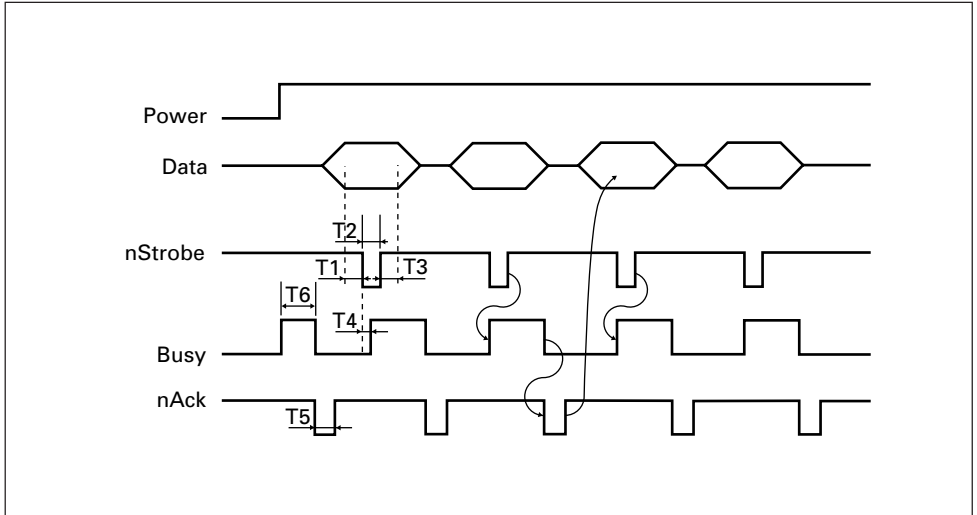


All the output signals, Data 0-7, are each pulled up with a 50 kΩ resistor, and the other output signals are each pulled up with a 3.3 kΩ resistor.



6.2.3 Timing Chart (Compatibility Mode)

Data input and print timing



T1, T2, T3:	0.5 μ s MIN
T4:	270 ns MAX
T5:	2.3 μ s TYP
T6:	500 ms MIN (At power-on)

6.2.4 Data Reception Control

When the Busy signal is at "LOW", the printer can receive data from the host computer, but when at "HIGH", data reception is not possible.

6.2.5 Buffering

Since the printer can buffer 64K bytes of data, the host computer is immediately made free.

7. SERIAL INTERFACE

7.1 Specifications

(1) Synchronizing system

Asynchronous

(2) Baud rate

2400, 4800, 9600, or 19200 bps (User selectable)

(3) Configuration of one word

Start bit: 1-bit

Data bits: 7 or 8-bits (User selectable)

Parity bit: Odd, even, or none (User selectable)

Stop bit: 1-bit or more

(4) Signal polarity

RS-232C

- Mark = Logic "1" (-3 V to -12 V)

- Space = Logic "0" (+3 V to +12 V)

(5) Received data (RD signal)

RS-232C

- Mark = 1

- Space = 0

(6) Reception control (DTR signal)

RS-232C

- Mark: Data transfer disabled

- Space: Data transfer enabled

(7) Transmission control (TD signal)

DC1 code (11H)X-ON: Data reception enabled

DC3 code (13H)X-OFF: Data reception disabled

7.2 Connector Pin Configuration

No.	Signal name	Input/output	Function
1	FG	—	Grounding for safety
2	TD	Output	Transferred data
3	RD	Input	Received data
4	RTS	Output	Same as DTR
6	DSR	Input	Data set ready or reset (Selected with a DIP switch)
7	GND	—	Ground for signals
20	DTR	Output	Printer Busy signal
25	INIT	Input	Reset (Selected with a DIP switch)

Applicable connectors (D-Sub connectors)

Printer side: 17LE-13250 (DDK) or equivalent

Cable side: 17JE-23250 (DDK) or equivalent



CAUTION:

- Signals for RS-232C are specified based on EIA RS-232C.
- While data is not being transferred, always maintain the received data in a mark state.

7.3 Description of Input and Output Signals

7.3.1 Input and Output Signals

(1) RD

This is a serial reception data signal. When a framing error, overrun error or parity error occurs, the data containing the error is printed as a “?”.

(2) DTR, RTS

When this signal is Ready, you can write data or commands into the input buffer. If you do so while the signal is Busy, an overrun error occurs, and the previously written data will be ignored. Data can be written into the input buffer even during printing. A Busy signal is also issued at the time of power-on, test printing, on-line communication, and resetting.

(3) TD

As data is received, the remaining capacity of the printer's input buffer decreases. When it becomes less than 128 bytes, a DC3 (13H) (Data reception disable signal) is output to the host computer. On the other hand, when the remaining capacity of the input buffer increases to 256 or more bytes, a DC1 (11H)(Data reception enable signal) is output to the host computer.

(4) DSR

During status information transmission, if DTR/DSR control is selected, the host computer transfers data to the printer after checking this signal is a space. If DTR/DSR control is not selected, the host computer ignores this signal and sends data to the printer. Also, this signal can be used as a reset signal after switching a DIP switch. (See “5.2 Table for Setting DIP Switches”.) When the pulse width of the signal is 1 ms or longer, a reset will be applied.

(5) INIT

This signal can be used as a reset signal after switching a DIP switch. (See “5.2 Table for Setting DIP Switches”.) When the pulse width of the signal is 1 ms or longer in space state, a reset will be applied.

(6) FG

This is a Frame Ground signal.

(7) GND

This is a common ground on circuits.

7.3.2 Error Detection

Detection of parity errors, framing errors, and overrun errors is provided with this printer. When an error is detected, the data containing the error is stored in the buffer as a “?”.

(1) Framing error

If a space state is detected at the timing of stop bit detection, this indicates that an error has occurred. The data containing the error is stored in the buffer as a “?”.

(2) Parity error

With parity check specified, when data is parity-checked and an error is detected, the data containing the error is stored in the buffer as a “?”.

(3) Overrun error

If an overrun error is detected, the data containing the error is stored in the buffer as a “?”.

7.3.3 Data Reception Control

With DTR/DSR control selected, when DTR signal becomes “Low”, the printer can receive data from the host computer, but when it is “High”, the printer cannot receive data. With DTR/DSR control not selected, after sending out X-ON, the printer receives data from the host computer, but cannot receive data from the host computer after X-OFF is sent out.

7.3.4 Buffering

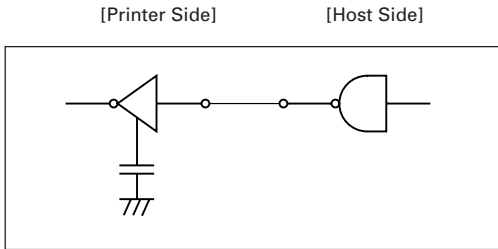
When data is transferred to the input buffer, DTR and TD signals are used as control signals.

- Refer to 7.3.1 (2) for DTR signal.
- Refer to 7.3.1 (3) for TD signal.

7.3.5 Electrical Characteristics

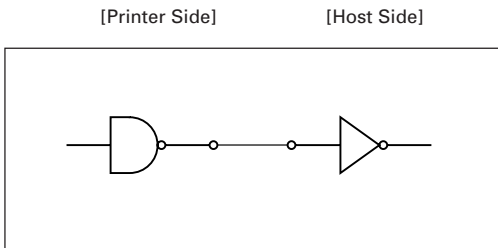
RS-232C circuit

Input (RD, DSR, INIT)



Equivalent to MAX232

Output (DTR, TD, RTS)



Equivalent to MAX232

8. DRAWER KICK-OUT CONNECTOR AND POWER CONNECTOR

8.1 Specifications of Drawer Kick-Out Connector

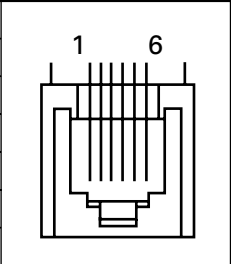
8.1.1 Drawer Kick-Out drive signal

A pulse specified by ESC p, DLE DC4 is output. In parallel interface mode, the SW(+) state can be confirmed at No. 34 pin of the interface connector or by the DLE EOT, GS a and GS r commands at the serial/parallel interface.

8.1.2 Electrical characteristics

- Drive voltage: DC 24 V
- Drive current: 0.8 A maximum (Within 510 ms)
- SW signal: Signal level "L" = 0 to 0.5 V
"H" = 3 to 5 V

8.1.3 Connector Pin Configuration

No.	Signal	Function	
1	FG	Frame Ground	
2	DRAWER 1	Drawer 1 drive signal	
3	DRSW	Drawer switch input	
4	VDR	Drawer drive power supply	
5	DRAWER 2	Drawer 2 drive signal	
6	GND	Common ground on circuits	

Connector used: TM5RJ3-66 (Hirose) or equivalent

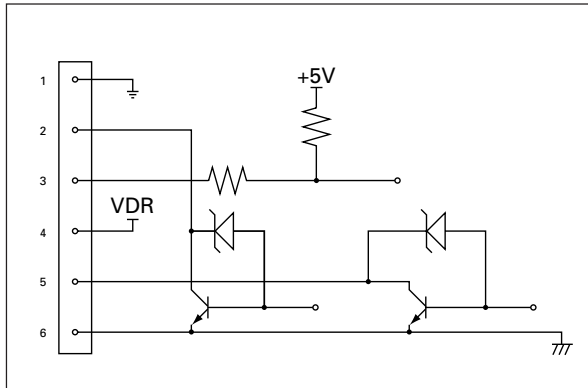
Applicable connector: TM3P-66P (Hirose) or equivalent



CAUTION:

- No output is produced while printing.
- The drawers 1 and 2 cannot be driven simultaneously.
- A solenoid used for the drawer should be of 36 Ω or more. The output current should be kept at 0.8 A or less; otherwise, breakdown or burning could occur.
- This connector cannot be connected to a telephone line. Do not connect to anything other than the solenoid.

8.1.4 Drive Circuit

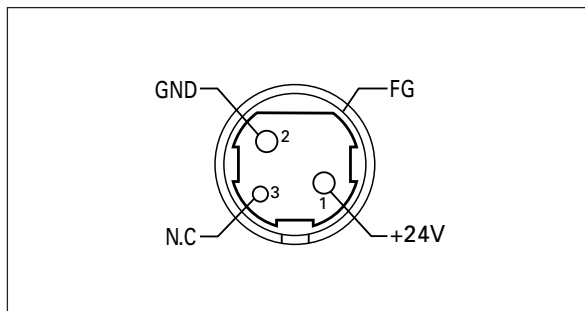


8.2 Specifications of the Power Connector

The following shows the power connector from the dedicated AC adapter.

Pin configuration of Power connector

(Pin number and function)



Power connector: TCS7960-53-2010 (Hosiden) or equivalent

Applicable connector: TCP8927-63-1100 (Hosiden) or equivalent

TCP8927-53-1100 (Hosiden) or equivalent

9. MAINTENANCE AND SERVICE

For the information on maintenance and service, please contact your CBM dealer or at the following addresses:

Northern America

CBM America Corporation
Service Center
365 Van Ness Way
Suite 510
Torrance, CA 90501, U.S.A

TEL +1-310-781-1460

FAX +1-310-781-9157

Other Areas

Japan CBM Corporation
Information Systems Division
CBM Bldg., 5-68-10, Nakano
Nakano-ku, Tokyo 164-0001
Japan

TEL +81-3-5345-7540

FAX +81-3-5345-7541

10. PRINT CONTROL FUNCTIONS

10.1 Command List

No.	Command	Function	Mode	Code	Page
1	HT	Horizontal tab	S.P.	<09>H	46
2	LF	Printing and paper feed	S.P.	<0A>H	47
3	CR	Back to printing	S.P.	<0D>H	48
4	FF	Printing in PAGE MODE and returning to STANDARD MODE	P	<0C>H	49
5	CAN	Canceling print data in PAGE MODE	P	<18>H	50
6	DLE EOT	Sending status in real-time	S.P.	<10>H<04>H<n>	51
7	DLE ENQ	Real-time request to printer	S.P.	<10>H<05>H<n>	54
8	DLE DC4	Outputting specified pulse in real-time	S.P.	<10>H<14>H<n> <m><t>	55
9	ESC FF	Printing data in PAGE MODE	P	<1B>H<0C>H	56
10	ESC SP	Setting the right spacing of the character	S.P.*	<1B>H<20>H<n>	57
11	ESC !	Collectively specifying the printing mode	S.P.	<1B>H<21>H<n>	59
12	ESC \$	Specifying the absolute positions	S.P.*	<1B>H<24>H<n1> <n2>	61
13	ESC %	Specifying/Canceling download character set	S.P.	<1B>H<25>H<n>	63
14	ESC &	Defining the download characters	S.P.	<1B>H<26>H<s>H <n><m>[<a><p1> <p2> · · · <ps>a<g> m-n+1	64
15	ESC *	Specifying the bit image mode	S.P.	<1B>H<2A>H<m> <n1><n2>[<d>]k	66
16	ESC -	Specifying/Canceling underline	S.P.	<1B>H<2D>H<n>	68
17	ESC 2	Specifying 1/6-inch line feed rate	S.P.	<1B>H<32>H	69
18	ESC 3	Setting line feed width	S.P.*	<1B>H<33>H<n>	70
19	ESC =	Data input control	S.P.	<1B>H<3D>H<n>	71
20	ESC ?	Deleting download characters	S.P.	<1B>H<3F>H<n>	72
21	ESC @	Initializing the printer	S.P.	<1B>H<40>H	73
22	ESC D	Setting horizontal tab position	S.P.	<1B>H<44>H [<n>]k<00>	74
23	ESC E	Specifying/Canceling Emphasis Printing	S.P.	<1B>H<45>H<n>	75
24	ESC G	Specifying/Canceling Double strike printing	S.P.	<1B>H<47>H<n>	76
25	ESC J	Printing and feeding paper	S.P.*	<1B>H<4A>H<n>	77
26	ESC L	Selecting PAGE MODE	S	<1B>H<4C>H	78
27	ESC M	Selection of character fonts	S.P.	<1B>H<4D>H<n>	79
28	ESC R	Selecting the international character set	S.P.	<1B>H<52>H<n>	80
29	ESC S	Selecting STANDARD MODE	P	<1B>H<53>H	81

In the Mode column: S = STANDARD MODE, P = PAGE MODE

* shows the command affected by GS P.

No.	Command	Function	Mode	Code	Page
30	ESC T	Selecting the character printing direction in PAGE MODE	P	<1B>H<54>H<n>	82
31	ESC V	Specifying/Canceling 90°-right-turned characters	S	<1B>H<56>H<n>	83
32	ESC W	Defining the print area in PAGE MODE	P*	<1B>H<57>H<xL><xH> <yL><yH><dxL><dxH> <dyL><dyH>	84
33	ESC \	Specifying the relative position	S.P.*	<1B>H<5C>H<nL><nH>	86
34	ESC a	Aligning the characters	S.P.	<1B>H<61>H<n>	87
35	ESC c3	Selecting the Paper Sensor valid for a paper end signal output	S.P.	<1B>H<63>H<33>H<n>	88
36	ESC c4	Selecting the Paper Near-end Sensor valid for print stop	S.P.	<1B>H<63>H<34>H<n>	89
37	ESC c5	Enabling/Disabling the panel switches	S.P.	<1B>H<63>H<35>H<n>	90
38	ESC d	Printing and feeding the paper by “n” lines	S.P.	<1B>H<64>H<n>	91
39	ESC p	Generating the specified pulses	S.P.	<1B>H<70>H<m> <n1><n2>	92
40	ESC t	Selecting the character code table	S.P.	<1B>H<74>H<n>	93
41	ESC {	Specifying/Canceling the inverted characters	S	<1B>H<7B>H<n>	94
42	GS !	Specifying the character size	S.P.	<1D>H<21>H<n>	95
43	GS \$	Specifying the absolute vertical position of characters in PAGE MODE	P*	<1D>H<24>H<nL> <nH>	97
44	GS *	Defining the download bit image	S.P.	<1D>H<2A>H<n1> <n2>[<d>]n1xn2x8	98
45	GS (A	Execution of test printing	S	<1D>H<28>H<41>H<pL> <pH><n><m>	100
46	GS /	Printing the downloaded bit image	S.P.	<1D>H<2F>H<m>	101
47	GS :	Starting/Ending macro definition	S.P.	<1D>H<3A>H	102
48	GS B	Specifying/Canceling the black/white inverted printing	S.P.	<1D>H<42>H<n>	103
49	GS H	Selecting of printing position of HRI characters	S.P.	<1D>H<48>H<n>	104
50	GS I	Sending the printer ID	S.P.	<1D>H<49>H<n>	106
51	GS L	Setting the left margin	S*	<1D>H<4C>H<nL> <nH>	107
52	GS P	Specifying the basic calculation pitch	S.P.	<1D>H<50>H<x> <y>	108
53	GS V	Cutting the paper	S.P.*	(1)<1D>H<56>H<m> (2)<1D>H<56>H<m> <n>	109

In the Mode column: S = STANDARD MODE, P = PAGE MODE

* shows the command affected by GS P.

No.	Command	Function	Mode	Code	Page
54	GS W	Setting the print area width	S.P.*	<1D>H<57>H<nL> <nH>	110
55	GS \	Specifying the relative vertical position of a character in PAGE MODE	S.P.*	<1D>H<5C>H<nL> <nH>	112
56	GS ^	Executing the macro	S.P.	<1D>H<5E>H<n1> <n2><n3>	113
57	GS a	Enabling/Disabling ASB (Automatic Status Back)	S.P.	<1D>H<61>H<n>	114
58	GS f	Selecting the font of HRI characters	S.P.	<1D>H<66>H<n>	117
59	GS h	Specifying the height of the bar code	S.P.	<1D>H<68>H<n>	118
60	GS k	Printing the bar code	S.P.	(1)<1D>H<6B>H<m> [d1...dk]NUL (2)<1D>H<6B>H<m> <n>[d1...dn]	119
61	GS r	Sending status	S.P.	<1D>H<72>H<n>	127
62	GS v0	Printing of raster bit image	S	<1D>H<76>H<30>H <m><xL><xH> <yL><yH>[<d>]k	129
63	GS w	Specifying the horizontal size (Magnification) of bar code	S.P.	<1D>H<77>H<n>	131

Command relative to NV memory

No.	Command	Function	Mode	Code	Page
64					132
65					134
66	FS p	Printing the download NV bit images	S	<1C>H<70>H<n> <m>	136
67	FS q	Defining the download NV bit image	S	<1C>H<71>H<n>H	138

In the Mode column: S = STANDARD MODE, P = PAGE MODE

* shows the command affected by GS P.

10.2 Command Details

10.2.1 Description of Each Item

XXXX

[Function]	The name of a command.
[Code]	The string of codes comprising the command is represented by < >H for hexadecimal numbers, < >B for binary numbers, and < > for decimal numbers, [] k denotes the number of repetition of “k” times.
[Range]	Indicates the values (setting range) of arguments of the command. Note: If values outside the defined domain specified with control codes are used, malfunctions could possibly occur, so be sure to use the values within the defined domain.
[Outline]	Describes the functions of the command.
[Caution]	Describes important points and cautionary notes, as required.
[Default]	Initial values for the command if it has arguments.
[Reference]	Describes commands related to the command when it is used.
[Sample Program]	Describes examples of coding in Basic. ※ Examples are only for reference. They may vary depending on language and version. For details, please refer to a manual in your language.
[Print Results]	Describes the print results obtained by executing the above programs. However, the print results shown are different in scale from actual print results.

10.2.2 Command Details

HT

[Function]	Horizontal tab
[Code]	<09>H
[Outline]	Shifts the printing position to the next horizontal tab position. <ul style="list-style-type: none">• Ignored when the next horizontal tab position has not been set.
[Caution]	<ul style="list-style-type: none">• The horizontal tab position is set by ESC D.• The initial setting of horizontal tab positions is at intervals of 8 characters for font A at 9th, 17th, 25th, 33rd, columns.
[See Also]	ESC D

[Sample Program]

```
LPRINT "0123456789012345678901";
LPRINT CHR$(&HA);
LPRINT CHR$(&H9) + "AAA";
LPRINT CHR$(&H9) + "BBB";
LPRINT CHR$(&HA) ;
LPRINT CHR$(&H1B) + "D";
LPRINT CHR$(3) + CHR$(7) + CHR$(14) + CHR$(0);
LPRINT CHR$(&H9) + "AAA";
LPRINT CHR$(&H9) + "BBB";
LPRINT CHR$(&H9) + "CCC" + CHR$(&HA) ;
END
```

[Print Results]

```
0 1 2 3 4 5 6 7 8 9 0 1 2 3 4 5 6 7 8 9 0 1
                AAA      BBB ← Initially set horizontal tab
AAA BBB      CCC ← When set to the 4th, 8th, and 15th
                columns
```

LF

[Function]	Printing and paper feed
[Code]	<0A>H
[Outline]	Prints data inside the print buffer and feeds paper based on the line feed amount having been set. <ul style="list-style-type: none">• The head of the line becomes the next print starting position.

[See Also] ESC 2, ESC 3

[Sample Program]

```
LPRINT "AAA" + CHR$(&HA) ;  
LPRINT "BBB" + CHR$(&HA) ;  
LPRINT CHR$(&HA) ;  
LPRINT "CCC" + CHR$(&HA) ;  
END
```

[Print Results]

```
A A A ←—— Print and line feed  
B B B ←—— Print and line feed  
      ←—— Line feed only  
C C C ←—— Print and line feed
```

CR

[Function]	Back to printing
[Code]	<0D>H
[Outline]	<ol style="list-style-type: none">1) When DSW1-5 is OFF: This command is ignored.2) When DSW1-5 is ON: With data held inside the internal print buffer, printing and line feed are performed. Without data inside the internal print buffer, however, only line feed is performed.
[See Also]	LF
[Sample Program]	<pre>LPRINT "AAA" + CHR\$(&HD) ; LPRINT "BBB" + CHR\$(&HD) ; LPRINT CHR\$(&HD) ; LPRINT "CCC" + CHR\$(&HD) ; END</pre>
[Print Results]	<pre>A A A ←—— Print and line feed B B B ←—— Print and line feed ←—— Line feed only C C C ←—— Print and line feed</pre>

FF

[Function]	Printing in PAGE MODE and returning to STANDARD MODE
[Code]	<0C>H
[Outline]	Executes a batch printout of the data mapped in the entire print area, and then returns to STANDARD MODE.
[Caution]	<ul style="list-style-type: none">• All mapped data is erased after printout.• The print area set up by ESC W is initialized.• This command does not execute a paper cut.• After this command is executed, the beginning of the line is taken as the start position for the next print.• This command is only effective when the PAGE MODE is selected.
[See Also]	“PAGE MODE” in APPENDIX 1 ESC FF, ESC L, ESC S

CAN

[Function]	Canceling print data in PAGE MODE
[Code]	<18>H
[Outline]	Erases all data contained in the currently effective print area in PAGE MODE.
[Caution]	<ul style="list-style-type: none">• This command is only effective when PAGE MODE is selected.• If any data mapped in the previously established print area overlaps the data in the currently set print area, the overlapped data in the previously established area will be erased when this command is executed.
[See Also]	“PAGE MODE” in APPENDIX 1 ESC L, ESC W

DLE EOT n

[Function]	Sending status in real-time
[Code]	<10>H<04>H<n>
[Range]	$1 \leq n \leq 4$
[Outline]	<p>Sends in real-time the status specified by "n".</p> <p>n = 1: Printer status</p> <p>n = 2: Status caused by an offline condition</p> <p>n = 3: Status caused by an error</p> <p>n = 4: Continuous paper detector status</p>
[Caution]	<ul style="list-style-type: none">• Each status represents the current status of the printer.• The status is transferred without checking whether the host is ready to receive or busy.• This command is executed even if the printer is in offline state, receive-buffer full state, or error state.• This command is dealt with when it is received.• If a data string of <10>H<04>H<n> ($1 \leq n \leq 4$) is present in the received data, the printer acts the same way as with this command. Therefore, the user should be reminded of this fact.
	<p>[Example]</p> <p>ESC * mnL nH [d1 ... dk], where d1 = <10>H, d2 = <04>H, d3 = <01>H.</p> <ul style="list-style-type: none">• If ASB (Automatic Status Back) is enabled by GS a, it is necessary to discriminate between the status due to ASB and the status due to this command.

(1) Printer status (When n = 1 is specified)

Bit	Status	Hex.	Decimal
0	Unused (Fixed at 0)	00	0
1	Unused (Fixed at 1)	02	2
2	Status of pin 3 of Drawer Kick-Out Connector = L	00	0
	Status of pin 3 of Drawer Kick-Out Connector = H	04	4
3	Online status	00	0
	Offline status	08	8
4	Unused (Fixed at 1)	10	16
5	Undefined	—	—
6	Undefined	—	—
7	Unused (Fixed at 0)	00	0

(2) Status caused by an offline condition (When n = 2 is specified)

Bit	Status	Hex.	Decimal
0	Unused (Fixed at 0)	00	0
1	Unused (Fixed at 1)	02	2
2	Cover closed	00	0
	Cover open	04	4
3	Not in paper feed state triggered by FEED switch	00	0
	In paper feed state triggered by FEED switch	08	8
4	Unused	10	16
5	Printing is not stopped because of "paper out" state	00	0
	Printing is stopped because of "paper out" state	20	32
6	Error not occurred	00	0
	Error occurred	40	64
7	Unused (Fixed at 0)	00	0

Bit 5: Printing is stopped if the paper end detector detects a "paper out" state, or if the printer is out of paper when the Paper Near-end Sensor is enabled by ESC c 4. At this time, bit 5 = "1".

(3) Status caused by an error (when n = 3 is specified)

Bit	Status	Hex.	Decimal
0	Unused (Fixed at 0)	00	0
1	Unused (Fixed at 1)	02	2
2	Undefined	—	—
3	Auto cutter error not occurred	00	0
	Auto cutter error occurred	08	8
4	Unused (Fixed at 1)	10	16
5	Unrecoverable error not occurred	00	0
	Unrecoverable error occurred	20	32
6	Auto recovery error not occurred	00	0
	Auto recovery error occurred	40	64
7	Undefined (Fixed at 0)	00	0

Bit 3: If this error has occurred, remove the cause of the error, and then DLE ENQ n ($1 \leq n \leq 2$) can be used to recover from the error. However, it is not possible to recover from any error due to a damaged cutter or circuit problem (e.g., broken wire).

Bit 6: If a head overheat error is detected, the printing is stopped until the head temperature falls. At this time, bit 6 = "1".

(4) Continuous paper detector status (When n = 4 is specified)

Bit	Status	Hex.	Decimal
0	Unused (Fixed at 0)	00	0
1	Unused (Fixed at 1)	02	02
2,3	Paper found by Paper Near-end Sensor	00	0
	Paper not found by Paper Near-end Sensor	0C	12
4	Unused (Fixed at 1)	10	16
5,6	Paper found by Paper-end Sensor	00	0
	Paper not found by Paper-end Sensor	60	96
7	Unused (Fixed at 0)	00	0

[See Also]

DLE ENQ, GS a, and GS r, "IDENTIFICATION OF SEND STATUS" in APPENDIX 3

DLE ENQ n

[Function]	Real-time request to printer
[Code]	<10>H<05>H<n>
[Range]	$1 \leq n \leq 2$
[Outline]	<p>The printer responds in real-time to the requests from the host.</p> <p>n = 1: After recovering from an error, the printer resumes printing from the beginning of the line where the error occurred.</p> <p>n = 2: The printer clears the receive buffer and the print buffer, and then recovers from the error.</p>
[Caution]	<ul style="list-style-type: none">• This command is only effective if an auto cutter error has occurred.• If the cause of the error has not been removed completely, the printer may not be recovered from the error status.• This command is dealt with when it is received.• This command is also executed even if the printer is in a receive-buffer full state.• If a data string of <10>H<05>H<n> ($1 \leq n \leq 2$) is present in the received data, the printer acts in the same way as with this command. The user should, therefore, be reminded of this fact.
	<p>[Example] Within bit image data of a bit image, etc.</p> <p>ESC * m nL nH {d} k, where d1 = <10>H, d2=<05>H, d3=<01>H1.</p> <ul style="list-style-type: none">• Even if DLE ENQ 2 is executed, the settings made by, for example, ESC ! and ESC 3 retain the conditions when the error occurred. A combined use of this command and ESC @ can completely initialize the printer.
[See Also]	DLE EOT

DLE DC4 n m t

[Function] Outputting specified pulse in real-time.

[Code] <10>H<14>H<n><m><t>

[Range] n=1, m=0,1

$1 \leq t \leq 8$

[Outline] A signal specified with "t" is output to the connector pin specified with "m".

m	Connector pin
0	Pin No. 2 of drawer Kick-Out Connector
1	Pin No. 5 of drawer Kick-Out Connector

[Details]

- On-time and off-time are set at $t \times 100$ msec, respectively.
- In case an error occurred during the processing of this command, the command is ignored.
- In case (ESC p or DLE DC4 under execution), during the processing of this command the command is ignored.
- This command will be processed as it is received.
- In specification of serial interface, the command is executed even in offline, reception buffer full and error conditions.
- In specification of parallel interface, this command cannot be executed while the printer is BUSY.
- This command will be valid, even if specifying the printer is invalid due to the selection of peripheral units (ESC =).

[Caution]

- If the same data string as this command is present in the received data, the printer operates the same way as with this command. The user should, therefore, be careful.
- The command cannot be inserted in another string of commands which consist of codes of 2 bytes or more.

[Reference]

ESC p

ESC FF

[Function]	Printing data in PAGE MODE
[Code]	<1B>H<0C>H
[Outline]	Prints out all the data mapped in the entire print area in PAGE MODE.
[Caution]	<ul style="list-style-type: none">• This command is only effective when PAGE MODE is selected.• Mapped data, as well as the ESC T and ESC W settings, and the character mapping position are held even after printing.
[See Also]	“PAGE MODE” in APPENDIX 1 FF, ESC L, ESC S

ESC SP n

[Function]	Setting the right spacing of the character
[Code]	<1B>H<20>H<n>
[Range]	$0 \leq n \leq 255$
[Outline]	Sets the right spacing of character to [$n \times$ basic calculation pitch].
[Caution]	<ul style="list-style-type: none">• If the horizontal magnification of character is set, the right spacing increases with the magnification.• The right spacing can be set separately for the STANDARD and PAGE MODES.• The basic calculation pitch is set by GS P. Once defined, the right spacing is not changed if the basic calculation pitch is changed by GS P.• Fractions resulting from calculation are corrected with the minimum pitch of the mechanism, and the remainder is omitted.• In STANDARD MODE, this command uses the horizontal basic calculation pitch (x).• In PAGE MODE, the basic calculation pitch used by this command depends on the start point:<ol style="list-style-type: none">(1) If the start point specified by ESC T is top left or bottom right, the command uses the horizontal basic calculation pitch (x).(2) If the start point specified by ESC T is top right or bottom left, the command uses the vertical basic calculation pitch (y).• The maximum right spacing is capable of approximately 31.906 mm. A setting greater than this maximum is trimmed to the maximum.
[Default]	$n = 0$
[See Also]	GS P

[Sample Program]

```
LPRINT CHR$(&H1B) + " " + CHR$(0);  
LPRINT "AAAAA" + CHR$(&HA);  
LPRINT CHR$(&H1B) + " " + CHR$(1);  
LPRINT "AAAAA" + CHR$(&HA);  
LPRINT CHR$(&H1B) + " " + CHR$(12);  
LPRINT "AAAAA" + CHR$(&HA);  
END
```

[Print Results]

```
AAAAA      ←—— 0-dot space  
A A A A A  ←—— 1-dot space  
A A A A A  ←—— 12-dots space
```

ESC ! n

[Function] Collectively specifying the printing mode

[Code] <1B>H<21>H<n>

[Range] $0 \leq n \leq 255$

[Outline] Printing mode is assigned.

Bit	Function	Value	
		0	1
0	Character Font	Font A	Font B
1	Undefined		
2	Undefined		
3	Emphasis	Canceled	Specified
4	Double height	Canceled	Specified
5	Double width	Canceled	Specified
6	Undefined		
7	Underline	Canceled	Specified

- [Caution]**
- With double height and double width being specified simultaneously, quadruple characters are created.
 - An underline is attached to the full character width, which, however, is not attached to the part having been skipped by the horizontal tab or specification of absolute positions. Neither is it attached to 90°-right-turned characters.
 - The underline thickness is as specified by the <ESC -> command. (The default setting is 1 dot thick.)
 - In case characters with different vertical magnification ratios coexist on the same line, they are printed on the same base line.

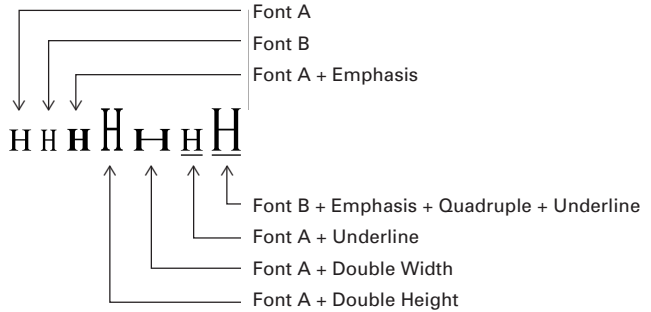
[Default] n = 0

[See Also] ESC E, ESC -, GS !

[Sample Program]

```
LPRINT CHR$(&H1B) + "!" + CHR$($H00) + "H" ;  
LPRINT CHR$(&H1B) + "!" + CHR$($H01) + "H" ;  
LPRINT CHR$(&H1B) + "!" + CHR$($H08) + "H" ;  
LPRINT CHR$(&H1B) + "!" + CHR$($H10) + "H" ;  
LPRINT CHR$(&H1B) + "!" + CHR$($H20) + "H" ;  
LPRINT CHR$(&H1B) + "!" + CHR$($HB9) + "H" ;  
LPRINT CHR$(&HA) ;  
END
```

[Print Results]



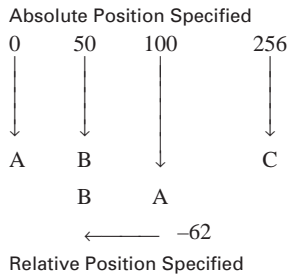
ESC \$ n1 n2

[Function]	Specifying the absolute positions
[Code]	<1B>H<24>H<n1><n2>
[Range]	$0 \leq n1 \leq 255$ $0 \leq n2 \leq 255$
[Outline]	<p>The printing start position is moved to a position specified with $(n1 + (n2 \times 256)) \times$ basic calculation pitch from the beginning (left margin) of a line.</p> <ul style="list-style-type: none">• The moved position is divided by 256, whose quotient is taken as "n2" and the residual as "n1".• Therefore, the printing start position is equal to $n1 + n2 \times 256$ from the beginning of a line.
[Caution]	<p>The basic calculation pitch is set by GS P. After the line feed width is set, if the basic calculation by GS P leaves a fraction, the fraction is corrected with the minimum pitch of the mechanism, and the remainder is omitted.</p> <p>In STANDARD MODE, this command uses the horizontal (Paper feed direction) basic calculation pitch (x).</p> <p>In PAGE MODE, this command acts differently depending on the start point:</p> <ol style="list-style-type: none">(1) If the start point specified by ESC T is top right or bottom left, the command uses the vertical (Paper feed direction) basic calculation pitch (y).(2) If the start point specified by ESC T is top left or bottom right, the command uses the horizontal (Perpendicular to the paper feed direction) basic calculation pitch (x). <p>Specification beyond the end of the line is ignored.</p>
[Default]	The initial value is not defined.
[See Also]	ESC \, GS P, GS \, GS \$

[Sample Program]

```
LPRINT CHR$(&H1B) + "$" ;  
LPRINT CHR$(0) + CHR$(0) + "A" ;  
LPRINT CHR$(&H1B) + "$" ;  
LPRINT CHR$(50) + CHR$(0) + "B" ;  
LPRINT CHR$(&H1B) + "$" ;  
LPRINT CHR$(0) + CHR$(1) + "C" ;  
LPRINT CHR$(&HA) ;  
LPRINT CHR$(&H1B) + "$" ;  
LPRINT CHR$(100) + CHR$(0) + "A" ;  
LPRINT CHR$(&H1B) + "\" ;  
LPRINT CHR$(&HC2) + CHR$(&HFF) + "B" ;  
LPRINT CHR$(&HA);  
END
```

[Print Results]



ESC % n

[Function] Specifying/Canceling download character set

[Code] <1B>H<25>H<n>

[Range] $0 \leq n \leq 255$

[Outline] Specifying/canceling download characters.
• Only the lowest bit (n0) is valid for n.

n0	Function
0	Canceling download character set
1	Specifying download character set

[Caution] Download characters and download bit images cannot be defined simultaneously.

[Default] n = 0

[See Also] ESC &, ESC ?

[Sample Program]

```
GOSUB SETCHR                                DATA 6
LPRINT CHR$(&H1B) + “%” + CHR$(0);        DATA &HEF, &H80, &H00
LPRINT “@A” + CHR$(&HA);                  DATA &H80, &H80, &H00
LPRINT CHR$(&H1B) + “%” + CHR$(1);        DATA &H80, &H80, &H00
LPRINT “@A” + CHR$(&HA);                  DATA &H80, &H80, &H00
END                                          DATA &HFF, &HFF, &HFF
SETCHR:                                     DATA &HFF, &HFF, &HFF
LPRINT CHR$(&H1B) + “&”;                  DATA 12
LPRINT CHR$(3) + “@” + “A”;              DATA &HFF, &HFF, &HFF
FOR J=1 TO 2                                DATA &H80, &H07, &HF9
READ REP                                     DATA &H80, &HFF, &HF9
LPRINT CHR$(REP);                          DATA &H87, &HFE, &H01
FOR I=1 TO REP*3                            DATA &H9F, &H06, &H01
READ D                                       DATA &HF8, &H06, &H01
LPRINT CHR$(D)                              DATA &HF8, &H06, &H01
NEXT I                                       DATA &H9F, &H06, &H01
NEXT J                                       DATA &H87, &HFE, &H01
RETURN                                       DATA &H80, &HFE, &HF9
                                           DATA &H80, &H07, &HF9
                                           DATA &HFF, &HFF, &HFF
```

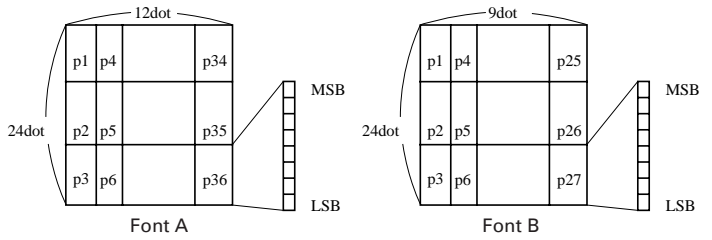
[Print Results]

@ A ← Internal Character Set
9 A ← Download Character

ESC & s n m [a [p] s × a] m-n+1

[Function]	Defining the download characters
[Code]	<1B>H<26>H<s>H<n><m>[<a><p1><p2> · · <ps × a>]m-n+1
[Range]	$s = 3$ $32 \leq n \leq m \leq 126$ $0 \leq a \leq 12$ (Font A) $0 \leq a \leq 9$ (Font B) $0 \leq p1 \cdot \cdot ps \times a \leq 255$
[Outline]	<p>Defines the fonts of download characters.</p> <p>Independent download characters can be defined for Font A and Font B.</p> <ul style="list-style-type: none">• “s” indicates the number of bytes in vertical direction.• “n” indicates the start character code and “m” the end character code. To define only one character, set n=m.• Character codes definable includes 95 ASCII codes in total in the range of <20>H to <7E>H.• “a” indicates the number of dots to be defined in horizontal direction.• “p” is the data to be defined, which indicate a pattern equal to “a” dots in horizontal direction from the left end. The rest of the pattern on the right side is filled with space. The number of data to be defined is $s \times a$.• Download characters thus defined remain valid until redefinition, execution of ESC @, GS *, FS q or ESC (A, deletion by ESC ?, or turning the power OFF takes place.
[Caution]	<ul style="list-style-type: none">• Download characters and download bit images cannot be defined simultaneously.• Running this command clears the definition of the download bit image.
[Default]	Same as the internal character set.
[See Also]	ESC %, ESC ?

[Example]



Create each data bit by setting "1" for a printed dot and "0" for an unprinted dot.

[Sample Program]

Refer to Sample Program and Print Results for ESC % on page 63.

ESC * m n1 n2 [d] k

[Function] Specifying the bit image mode

[Code] <1B>H<2A>H<m><n1><n2> [<d>] k

[Range] m= 0, 1, 32, 33
 $0 \leq n1 \leq 255$
 $0 \leq n2 \leq 3$
 $0 \leq d \leq 255$
 $k = n1 + 256 \times n2 \quad (m = 0, 1)$
 $k = (n1 + 256 \times n2) \times 3 \quad (m = 32, 33)$

[Outline] According to the number of dots specified in "n1", "n2", specify the bit image of mode "m".

- The number of dots printed is divided by 256, whose quotient is taken as n2 and residual as "n1".
- The total number of dots printed in the horizontal direction is equal to $n1 + (256 \times n2)$.
- When bit image data have been input in excess of dot positions that can be printed on one line, the excess data are discarded.
- "d" is bit image data. Bits to be printed are specified as "1" and those not as "0".
- The bit image modes specified by m are shown as follows:

m	Mode	Vertical Direction		Horizontal Direction	
		No. of Dots	Dot Density	Dot Density	Max. No. of Dots
0	8-dots single density	8	67 DPI	101 DPI	416
1	8-dots double density	8	67 DPI	203 DPI	832
32	24-dots single density	24	203 DPI	101 DPI	416
33	24-dots double density	24	203 DPI	203 DPI	832

[Caution]

- When the value of m is out of the above range, the data following after n1 is processed as normal printing data.
- After completion of bit image printing, the printer returns to normal data processing mode.

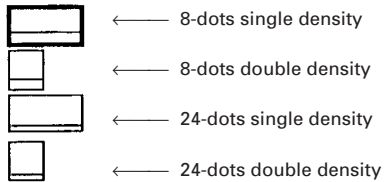
[Sample Program]

```
LPRINT CHR$(&H1B) + “*”;
LPRINT CHR$(0) + CHR$(20) + CHR$(0);
GOSUB IMG1
LPRINT CHR$(&HA);
LPRINT CHR$(&H1B) + “*”;
LPRINT CHR$(1) + CHR$(20) + CHR$(0);
GOSUB IMG1
LPRINT CHR$(&HA);
LPRINT CHR$(&H1B) + “*”;
LPRINT CHR$(32) + CHR$(20) + CHR$(0);
GOSUB IMG2
LPRINT CHR$(&HA);
LPRINT CHR$(&H1B) + “*”;
LPRINT CHR$(33) + CHR$(20) + CHR$(0);
GOSUB IMG2
LPRINT CHR$(&HA);
END
```

```
IMG1:
LPRINT CHR$(&HFF);
FOR I=1 TO 18
  LPRINT CHR$(&H85);
NEXT I
LPRINT CHR$(&HFF);
RETURN
```

```
IMG2:
LPRINT CHR$(&HFF);
LPRINT CHR$(&HFF);
LPRINT CHR$(&HFF);
FOR I=1 TO 18
  LPRINT CHR$(&H80);
  LPRINT CHR$(&H00);
  LPRINT CHR$(&H05);
NEXT I
LPRINT CHR$(&HFF);
LPRINT CHR$(&HFF);
LPRINT CHR$(&HFF);
RETURN
```

[Print Results]



ESC - n

[Function]	Specifying/Canceling underline
[Code]	<1B>H<2D>H<n>
[Range]	$0 \leq n \leq 2$ $48 \leq n \leq 50$
[Outline]	Specifying/canceling an underline. n=0, 48 Canceling an underline n=1, 49 Specifying an underline for 1-dot width n=2, 50 Specifying an underline for 2-dots width
[Caution]	<ul style="list-style-type: none">• An underline is attached to the full character width. It is, however, not attached to the part having been skipped by horizontal tab command.• An underline is not attached to a 90°- right-turned characters.
[Default]	n = 0
[See Also]	ESC !, FS -
[Sample Program]	<pre>LPRINT CHR\$(&H1B) + "-" + CHR\$(0); LPRINT "AAAAA"; LPRINT CHR\$(&H1B) + "-" + CHR\$(1); LPRINT "AAAAA" + CHR\$(&HA); END</pre>

[Print Results]

Underline Canceled

←————→

A A A A A A A A A A

←————→

Underline Specified

ESC 2

- [Function]** Specifying 1/6-inch line feed rate
- [Code]** <1B>H<32>H
- [Outline]** The line feed rate per line is specified by 1/6 inch.
- [Caution]** Line feed rate can be specified respectively for both STANDARD MODE and PAGE MODE.

[Sample Program]

```
LPRINT "AAAAA" + CHR$(&HA);
LPRINT CHR$(&H1B) + "3" + CHR$(0);
LPRINT "AAAAA" + CHR$(&HA);
LPRINT CHR$(&H1B) + "3" + CHR$(50);
LPRINT "AAAAA" + CHR$(&HA);
LPRINT CHR$(&H1B) + "2";
LPRINT "AAAAA" + CHR$(&HA);
LPRINT "AAAAA";
LPRINT CHR$(&H1B) + "J" + CHR$(100);
LPRINT "AAAAA" + CHR$(&HA);
LPRINT "AAAAA" + CHR$(&HA);
END
```

[Print Results]

A A A A A	↑	1/6-inch line feed
	×	
A A A A A	↑	0/203-inch line feed
A A A A A	↑	50/203-inch line feed
	×	
A A A A A	↑	1/6-inch line feed
	×	
A A A A A	↑	100 /203-inch line feed
	↑	1/6-inch line feed
A A A A A	↓	

ESC 3 n

[Function]	Setting line feed width
[Code]	<1B>H<33>H<n>
[Range]	$0 \leq n \leq 255$
[Outline]	Sets the line feed width per line to $[n \times \text{basic calculation pitch}]$.
[Caution]	<p>The line feed width can be set separately for the STANDARD and PAGE MODES.</p> <p>The basic calculation pitch currently set is used. Once defined, the line feed width is not changed even if the basic calculation pitch is changed.</p> <p>Fractions resulting from calculation are corrected with the minimum pitch of the mechanism, and the remainder is omitted.</p> <ul style="list-style-type: none">• In STANDARD MODE, this command uses the basic calculation pitch (y) in the paper feed direction.• In PAGE MODE, this command acts differently depending on the printing direction and the start point set with ESC T n:<ol style="list-style-type: none">(1) If the start point is specified at the top left or bottom right, the command uses the basic calculation pitch (y) in the paper feed direction.(2) If the start point is specified at the top right or bottom left, the command uses the basic calculation pitch (x) in a direction perpendicular to the horizontal paper feed direction. <p>The maximum settable line feed width is 1016 mm (40 inches). A setting greater than this maximum is trimmed to the maximum.</p>
[Default]	Approx 4.23 mm
[See Also]	ESC 2, GS P

ESC = n

[Function] Data input control

[Code] <1B>H<3D>H<n>

[Range] $0 \leq n \leq 255$

[Outline] Selecting equipment for which data input from the host is valid.
• Each bit of “n” indicates as follows:

Bit	Equipment	Value	
		0	1
0	Printer	Invalid	Valid
1	Not defined		
2	Not defined		
3	Not defined		
4	Not defined		
5	Not defined		
6	Not defined		
7	Not defined		

[Caution]

- Even when the printer has not been selected, it can become BUSY state through printer operation.
- When the printer is deselected, this printer discards all the data until it is selected with this command. (Except DLE EOT, DLE ENQ, and DLE DC4)

[Default] n = 1

ESC ? n

[Function]	Deleting download characters
[Code]	<1B>H<3F>H<n>
[Range]	$32 \leq n \leq 126$
[Outline]	Deletes the downloaded characters of specified code.
[Caution]	<ul style="list-style-type: none">• Specifies the character code for the defined pattern to be deleted. After the deletion, internal characters are printed.• This command deletes the code-defined pattern of the character font selected currently.
[See Also]	ESC &, ESC %

ESC @

[Function]	Initializing the printer
[Code]	<1B>H<40>H
[Outline]	Clears data stored in the print buffer and brings various settings to the initial state (Default state).
[Caution]	<ul style="list-style-type: none">• The settings of DIP switches are not read again.• Data inside the internal input buffer is not cleared.• Macro definitions are not cleared.• NV bit image definitions are not cleared.

[Sample Program]

```
LPRINT CHR$(&H1B) + "!" + CHR$(&H30);  
LPRINT CHR$(&H1B) + "V" + CHR$(1);  
LPRINT "AAA" + CHR$(&HA);  
LPRINT CHR$(&H1B) + "@";  
LPRINT "AAA" + CHR$(&HA);  
END
```

[Print Results]

```
▽ ▽ ▹  
A A A ←—— Each setting has been  
          initialized by this command.
```

ESC D { n } k NUL

[Function]	Setting horizontal tab position
[Code]	<1B>H<44>H [<n>] k<00>
[Range]	$1 \leq n \leq 255$ $0 \leq k \leq 32$
[Outline]	<p>Specifying a horizontal tab position.</p> <ul style="list-style-type: none">• “n” indicates the number of columns from the beginning (left margin) to the horizontal tab position. Note, however, that “n= set position – 1”. For example, to set the position at 9th column, n=8 is to be specified.• “k” denotes the number of horizontal tab positions you want to set.• The tab position is set at a position where it is “character width × n” from the beginning of a line. The character width, at this time, includes the space on the right. If the horizontal magnification ratio of characters is 2 or above, the character width is increased correspondingly.• Tab positions that can be specified are maximum 32. Specifying tab positions exceeding this limit is ignored.• <n> k, which denotes a setting position, is input in the increasing order and ends at <00> H.• ESC D <NUL> clears all the set tab positions. Following clearing, the horizontal tab command is ignored.
[Caution]	<p>When the data, <n> k, is equal to or smaller than its preceding data, <n> k-1, it is assumed that tab setting is finished. If this is the case, the next data onward will be processed as normal data.</p> <p>When the data, <n> k, exceeds a 1-line print area, set the horizontal tab position, as “Set column position = Maximum print columns + 1”. The horizontal tab position does not change even if the character width is altered after setting the horizontal tab position.</p>
[Default]	<ul style="list-style-type: none">• Tab positions are set at eight-character intervals (9th, 17th, 25th columns) of Font A.
[See Also]	HT
[Sample Program]	Refer to Sample Program and Print Results for HT on page 46.

ESC E n

[Function] Specifying/Canceling Emphasis Printing

[Code] <1B>H<45>H<n>

[Range] $0 \leq n \leq 255$

[Outline] Specifying/canceling the emphasized characters.

- “n” is valid only for the lowest bit (n0).
- Control by the lowest bit (n0) is shown as follows:

n0	Type
0	Canceling emphasis printing
1	Specifying emphasis printing

- This is effective to all characters.
- Dot configuration of a emphasized character includes one extra dot added at its side.
- Emphasis printing can also be specified using ESC !, however, ESC E or ESC !, whichever command is processed last, takes precedence.

[Caution] Emphasis printing can also be specified with ESC !, but is only valid with the command that is set last.

[Default] n = 0

[See Also] ESC !

[Sample Program]

```
LPRINT CHR$(&H1B) + "E" + CHR$(0);  
LPRINT "AAABBB" + CHR$(&HA);  
LPRINT CHR$(&H1B) + "E" + CHR$(1);  
LPRINT "AAABBB" + CHR$(&HA);  
END
```

[Print Results]

A A A B B B ←—— Emphasis canceled

A A A B B B ←—— Emphasis specified

ESC G n

[Function] Specifying/Canceling Double strike printing

[Code] <1B>H<47>H<n>

[Range] $0 \leq n \leq 255$

[Outline] Specifying/canceling the double strike printing.

- “n” is valid only for the lowest bit (n0).
- Control by “n” is shown as follows.

n0	Type
0	Canceling double strike printing
1	Specifying double strike printing

This is effective to all characters.

[Caution] Double-strike printing and emphasis printing provide completely the same results.

[Default] n = 0

[See Also] ESC E

[Sample Program]

```
LPRINT CHR$(&H1B) + "G" + CHR$(0);  
LPRINT "AAABBB" + CHR$(&HA);  
LPRINT CHR$(&H1B) + "G" + CHR$(1);  
LPRINT "AAABBB" + CHR$(&HA);  
END
```

[Print Results]

A A A B B B ← Double strike printing canceled

A A A B B B ← Double strike printing specified

ESC J n

[Function]	Printing and feeding paper
[Code]	<1B>H<4A>H<n>
[Range]	$0 \leq n \leq 255$
[Outline]	Prints the data held in the print buffer and feeds paper by [n × basic calculation pitch] inches. The beginning of the line is taken as the next print start position.
[Caution]	<p>The line feed width can be set separately for the STANDARD and PAGE MODES.</p> <ul style="list-style-type: none">• This command does not affect the line feed width currently set.• Fractions resulting from calculation are corrected with the minimum pitch of the mechanism, and the remainder is omitted.• In STANDARD MODE, this command uses the basic calculation pitch (y) in the paper feed direction.• In PAGE MODE, this command acts differently depending on the printing direction and the start point set with ESC T n:<ol style="list-style-type: none">(1) If the start point is specified at the top left or bottom right, the command uses the basic calculation pitch (y) in the paper feed direction.(2) If the start point is specified at the top right or bottom left, the command uses the basic calculation pitch (x) in a direction perpendicular to the paper feed direction. <p>The maximum set table line feed width is 1016 mm (40 inches). A setting greater than this maximum is trimmed to the maximum. The beginning of the line is taken as the next print start position.</p>
[Default]	The initial value is not defined.
[Sample Program]	Refer to Sample Program and Print Results for ESC 2 on page 69.

ESC L

[Function]	Selecting PAGE MODE
[Code]	<1B>H<4C>H
[Outline]	Switches from STANDARD MODE to PAGE MODE.
[Caution]	<ul style="list-style-type: none">• This command is only effective if it entered at the beginning of a line.• This command is not effective if it is entered when in PAGE MODE.• STANDARD MODE is restored when printing specified by FF is finished or when ESC S is issued.• The character mapping start position will be the point specified by ESC T in the print area specified by ESC W.• The commands listed below, which have separate settings for PAGE MODE and STANDARD MODE, are changed to the settings for PAGE MODE use.<ul style="list-style-type: none">(1) Spacing setting: ESC SP(2) Line feed width setting: ESC 2, ESC 3• The following commands are valid only in PAGE MODE:<ul style="list-style-type: none">(1) ESC V Specifying/canceling 90°-right-turned characters.(2) ESC a Aligning the characters.(3) ESC { Specifying/canceling the inverted characters.(4) GS L Setting the left margin.(5) G3S W Setting the print area width.• The following commands become invalid in PAGE MODE:<ul style="list-style-type: none">(1) FS p Printing NV bit images(2) FS q Defining NV bit images(3) FS g1 Writing to user NV memory(4) GS V0 Printing raster bit images• ESC @ restores STANDARD MODE.
[See Also]	“PAGE MODE” in APPENDIX 1 FF, CAN, ESC FF, ESC S, ESC T, ESC W, GS \$, GS \

ESC M n

[Function] Selection of character fonts

[Code] <1B>H<4D>H<n>

[Definition value] n=0, 1, 48, 49

[Outline] Selects character fonts.

n	Function
0, 48	Selection of font A (12 × 24)
1, 49	Selection of font B (9 × 24)

[Details] Fonts can also be selected with ESC !, but are only valid with the command that is set last.

[Reference] ESC !

ESC R n

[Function] Selecting the international character set

[Code] <1B>H<52>H<n>

[Range] $0 \leq n \leq 13$

[Outline] Depending on the value of "n", one of the following character sets is specified;

n	Character Set
0	U.S.A.
1	France
2	Germany
3	U.K.
4	Denmark I
5	Sweden
6	Italy
7	Spain I
8	Japan
9	Norway
10	Denmark II
11	Spain II
12	Latin America
13	Korea

[Default] n = 0

[See Also] Character Code Table (International Character Set)

ESC S

[Function]	Selecting STANDARD MODE
[Code]	<1B>H<53>H
[Outline]	Switches from PAGE MODE to STANDARD MODE.
[Caution]	<ul style="list-style-type: none">• This command is only effective if it is entered when in PAGE MODE.• Any data mapped in PAGE MODE is erased.• After this command is executed, the beginning of the line is taken as the next print start position.• The print area defined by ESC W is initialized.• The commands listed below, which have separate settings for STANDARD MODE and PAGE MODE, are changed to the settings for STANDARD MODE use.<ul style="list-style-type: none">(1) Spacing setting: ESC SP(2) Line feed width setting: ESC 2, ESC 3• STANDARD MODE is selected when the printer is turned on or reset, or when ESC @ is executed.
[See Also]	FF, ESC FF, ESC L

ESC T n

[Function] Selecting the character printing direction in PAGE MODE

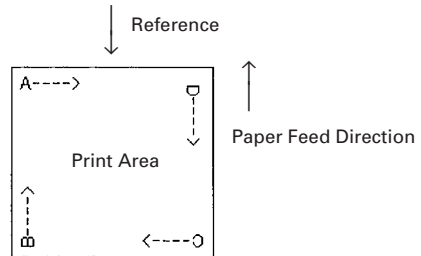
[Code] <1B>H<54>H<n>

[Range] $0 \leq n \leq 3$

$48 \leq n \leq 51$

[Outline] Selects the direction and start point of character printing in PAGE MODE.

n	Printing direction	Start point
0, 48	Left to right	Top left ("A" in the figure)
1, 49	Bottom to top	Bottom left ("B" in the figure)
2, 50	Right to left	Bottom right ("C" in the figure)
3, 51	Top to bottom	Top right ("D" in the figure)



[Caution]

- When STANDARD MODE is selected, this command only executes the internal flagging of the printer without affecting the printing in STANDARD MODE.
- The character mapping position will be the start point of the print area specified by ESC W.
- The basic calculation pitch (x or y) used by the following commands varies with the start point.
 - (1) If the start point is the top left or bottom right (The characters are mapped in the direction perpendicular to the paper feed),
 - Commands using x: ESC SP, ESC S, ESC \
 - Commands using y: ESC 3, ESC J, GS \$, GS \
 - (2) If the start point is the top right or bottom left (The characters are mapped in the paper feed direction),
 - Commands using x: ESC 3, ESC J, GS \$, GS \
 - Commands using y: ESC SP, ESC S, ESC \

[Default] n = 0

[See Also] "PAGE MODE" in APPENDIX 1
ESC \$, ESC L, ESC W, ESC \, GS \$, GS P, GS \

ESC V n

[Function] Specifying/Canceling 90°-right-turned characters

[Code] <1B>H<56>H<n>

[Range] n = 0, 1, 48, 49

[Outline] Specifying/canceling 90°-right- turned characters.

n	Function
0, 48	Canceling 90°-right- turned Characters
1, 49	Specifying 90°-right- turned Characters

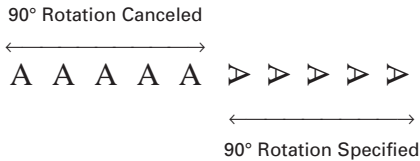
[Caution] No underlines are attached to 90°-right- turned characters. The settings of this command have no effect on PAGE MODE, but items set in PAGE MODE are valid even after STANDARD MODE resumes.

[Default] n = 0

[Sample Program]

```
LPRINT CHR$(&H1B) + "V" + CHR$(0);  
LPRINT "AAAAA";  
LPRINT CHR$(&H1B) + "V" + CHR$(1);  
LPRINT "AAAAA" + CHR$(&HA);  
END
```

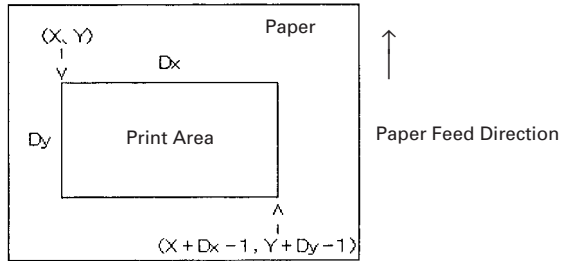
[Print Results]



ESC W xL xH yL yH dxL dxH dyL dyH

[Function]	Defining the print area in PAGE MODE
[Code]	<1B>H<57>H<xL><xH><yL><yH><dxL><dxH><dyL><dyH>
[Range]	$0 \leq xL, xH, yL, yH, dxL, dxH, dyL, dyH \leq 255$, except for $dxL = dxH = 0$ or $dyL = dyH = 0$
[Outline]	Defines the location and size of the print area. <ul style="list-style-type: none">• Horizontal start point = $[(xL + xH \times 256) \times \text{basic calculation pitch}]$.• Vertical start point = $[(yL + yH \times 256) \times \text{basic calculation pitch}]$.• Horizontal length = $[(dxL + dxH \times 256) \times \text{basic calculation pitch}]$.• Vertical length = $[(dyL + dyH \times 256) \times \text{basic calculation pitch}]$.
[Caution]	<ul style="list-style-type: none">• When STANDARD MODE is selected, this command only executes the internal flagging of the printer without affecting the printing in STANDARD MODE.• If the horizontal start point or vertical start point is out of the printable area, this command is canceled and the next data is handled as normal data.• If the horizontal length or vertical length is 0, this command is canceled and the next data is handled as normal data.• The character mapping position will be the start point specified by ESC T in the print area.• If the "horizontal start point + horizontal length" is greater than the horizontal printable area, the "horizontal printable area - horizontal start point" is taken as the horizontal length.• If the "vertical start point + vertical length" is greater than the vertical printable area, the "vertical printable area - vertical start point" is taken as the vertical length.• The basic calculation pitch is defined by GS P. Once defined, the print area is not changed if the basic calculation pitch is changed by GS P.• Fractions resulting from calculations are corrected with the minimum pitch of the mechanism, and the remainder is omitted.• The horizontal start point and horizontal length are calculated with the basic calculation pitch (x). The vertical start point and vertical length are calculated with the basic calculation pitch (y).

- The figure below illustrates the print area, where X = horizontal start point, Y=vertical start point, Dx=horizontal length, and Dy=vertical length.



The printable area for this printer is approximately 104.1 mm (832/203 inches) horizontally and 117 mm (1662/360 inches) vertically.

[Default]

$xL=xH=yL=yH=0$

$dxL=64, dxH=3, dyL=126, dyH=6$

[See Also]

“PAGE MODE” in APPENDIX 1

CAN, ESC L, ESC T, GS P

ESC \ nL nH

[Function]	Specifying the relative position
[Code]	<1B>H<5C>H<nL><nH>
[Range]	$0 \leq nL \leq 255$ $0 \leq nH \leq 255$
[Outline]	This command specifies the next print start position in a relative position with respect to the current position. The next print start position will be at a point of $[(nL + nH \times 256) \times \text{basic calculation pitch}]$ away from the current position.
[Caution]	<ul style="list-style-type: none">• Specification of a position outside the print area is ignored.• If a new position is specified to the right of the current position in the direction of printing, it should be specified as positive (+). If it is to the left, it should be as negative(-).• A negative value is the complement of 65536. For example, to move the position by N pitches to the left, specify it as: $nL + nH \times 256 = 65536 - N$• The basic calculation pitch is set by GS P.• Fractions resulting from calculation are corrected with the minimum pitch of the mechanism, and the remainder is omitted.• In STANDARD MODE, this command uses the horizontal basic calculation pitch (x).• In PAGE MODE, this command acts differently depending on the start point:<ol style="list-style-type: none">(1) If the start point specified by ESC T is top left or bottom right, the command specifies the relative position in the direction perpendicular to the paper feed (The character's side-to-side direction), using the horizontal basic calculation pitch (x).(2) If the start point is top right or bottom left, the command specifies the relative position in the paper feed direction (The character's side-to-side direction), using the vertical basic calculation pitch (y).
[See Also]	ESC \$, GS P
[Sample Program]	Refer to Sample Program and Print Results for ESC \$ on page 61.

ESC a n

[Function] Aligning the characters

[Code] <1B>H<61>H<n>

[Range] $0 \leq n \leq 2$
 $48 \leq n \leq 50$

[Outline] All the printed data within one line are aligned in the specified position.

- Depending on the value "n", positional alignment is carried out as shown in the table below:

n	Position
0,48	Left end alignment
1,49	Centering
2,50	Right end alignment

[Caution]

- This command is valid only when it is inputted at the beginning of a line.
- The settings of this command have no effect on PAGE MODE, but items set in PAGE MODE are valid even after STANDARD MODE resumes.

[Default] n = 0

[Sample Program]

```
LPRINT CHR$(&H1B) + "a" + CHR$(0);
LPRINT "AAAAA" + CHR$(&HA);
LPRINT CHR$(&H1B) + "a" + CHR$(1);
LPRINT "AAAAA" + CHR$(&HA);
LPRINT CHR$(&H1B) + "a" + CHR$(2);
LPRINT "AAAAA" + CHR$(&HA);
END
```

[Print Results]



ESC c 3 n

[Function] Selecting the Paper Sensor valid for a paper end signal output

[Code] <1B>H<63>H<33>H<n>

[Range] $0 \leq n \leq 255$

[Outline] This command selects by which Paper Sensor a paper end signal should be output. Each bit for “n” has the following meaning:

Bit	Position	Value	
		0	1
0	Paper Near-end	Disabled	Enabled
1	Paper Near-end	Disabled	Enabled
2	Paper end	Disabled	Enabled
3	Paper end	Disabled	Enabled
4	Undefined		
5	Undefined		
6	Undefined		
7	Undefined		

[Caution] This command is valid only for the parallel interface.

Bits 1 and 2, and bits 2 and 3 are valid if either bit is “1”. If all bits are set to be invalid, the paper end signal always indicates that paper is available.

[Default] n = 15

ESC c 4 n

[Function] Selecting the Paper Near-end Sensor valid for print stop

[Code] <1B>H<63>H<34>H<n>

[Range] $0 \leq n \leq 255$

[Outline] This command selects the Paper Near-end Sensor which helps to stop printing when the paper supply almost runs out.

Each bit for "n" has the following meaning:

Bit	Position	Value	
		0	1
0	Paper Near-end	Disabled	Enabled
1	Paper Near-end	Disabled	Enabled
2	Undefined		
3	Undefined		
4	Undefined		
5	Undefined		
6	Undefined		
7	Undefined		

This printer can only select one kind of Paper Sensor, a Paper Near-end Sensor.

[Default] n = 0

ESC c 5 n

[Function] Enabling/Disabling the panel switches

[Code] <1B>H<63>H<35>H<n>

[Range] $0 \leq n \leq 255$

[Outline] Enabling/disabling the FEED switch.
• “n” is valid only in the lowest bit.

n0	Condition
0	FEED switch valid
1	FEED switch invalid

[Caution] When the panel switch is disabled with this command, the FEED switch is also disabled. Therefore, the paper cannot be fed by operating the FEED switch. Regardless of the setting of this command, the FEED switch is always enable while the switch is being waited for at the time of macro execution.

[Default] n = 0

[Sample Program]

```
LPRINT CHR$(&H1B) + "c5" + CHR$(0); ← When enabling the FEED switch  
LPRINT CHR$(&H1B) + "c5" + CHR$(1); ← When disabling the FEED switch
```

ESC d n

[Function]	Printing and feeding the paper by “n” lines
[Code]	<1B>H<64>H<n>
[Range]	$0 \leq n \leq 255$
[Outline]	Prints data in the print buffer and feeds paper by “n” lines. <ul style="list-style-type: none">• Specified lines do not remain.• The beginning of the line is specified as the next print start position.
[Caution]	If [$n \times$ line feed width] exceeds approximately 1016 mm, this command feeds paper by approximately 1016 mm (40 inches).
[Default]	The initial value is not defined.
[Sample Program]	<pre>LPRINT “AAAAA”; LPRINT CHR\$(&H1B) + “d” + CHR\$(2); LPRINT “AAAAA” + CHR\$(&HA); END</pre>

[Print Results]

```
A A A A A  
                ↑  
                | 2/6-inch line feed  
                ↓  
A A A A A
```

ESC p m n1 n2

[Function] Generating the specified pulses

[Code] <1B>H<70>H<m><n1><n2>

[Range] m = 0, 1, 48, 49

$0 \leq n1 \leq 255$

$0 \leq n2 \leq 255$

[Outline] The signals specified by "n1" and "n2" are output to the connector pin specified by "m".

- "m" has the followings.

m	Connector Pin
0, 48	Drawer Kick-Out pin No.2
1, 49	Drawer Kick-Out pin No.5

- The ON time is $n1 \times 2$ ms, and OFF time $n2 \times 2$ ms.

[Caution]

- When "m" is beyond a definition range, no signal is output, discarding "n1" and "n2".

- The drawer drive duty must be within the following range:

$$\frac{\text{ON time}}{\text{ON time} + \text{OFF time}} \leq 0.2$$

(The OFF time should be 4 times or more longer than the ON time.)

[Default]

The initial value for "m", "n1" and "n2" is not defined.

[Sample Program]

```
LPRINT CHR$(&H1B) + "p";
LPRINT CHR$(0); ← Selects pin No. 2.
LPRINT CHR$(5); ← Sets ON time to 10ms
LPRINT CHR$(50); ← Sets OFF time to 100ms
END
```

ESC t n

[Function] Selecting the character code table

[Code] <1B>H<74>H<n>

[Range] $0 \leq n \leq 9$, $n = 255$

[Outline] Selecting the character code table:
The character code table is selected based on the value of "n".

n	Character Code Table
0	Codepage PC437 (USA, European Standard)
1	Codepage Katakana (Japanese)
2	Codepage PC850 (Multilingual)
3	Codepage PC860 (Portuguese)
4	Codepage PC863 (Canadian-French)
5	Codepage PC865 (Nordic)
6	Codepage PC852 (Eastern Europe)
7	Codepage PC866 (Russian)
8	Codepage PC857 (Turkish)
9	Windows Codepage
255	Space Page (For user setting)

[Default] This is a character code table specified with DIP Switch.

[See Also] Refer to "11. CHARACTER CODES TABLE"

[Sample Program]

```
LPRINT CHR$(&H1B) + "t" + CHR$(0);
LPRINT "n"=0;
FOR C=&HB2 TO &HB5
  LPRINT CHR$(C);
NEXT C
LPRINT CHR$(&HA);
LPRINT CHR$(&H1B) + "t" + CHR$(9);
LPRINT "n"=9;
FOR C=&HB2 TO &HB5
  LPRINT CHR$(C);
NEXT C
LPRINT CHR$(&HA);
END
```

[Print Results]

n = 0 ☒ | † ‡ ← n = 0

n = 9 2 3 ' μ ← n = 9

ESC { n

[Function] Specifying/Canceling the inverted characters

[Code] <1B>H<7B>H<n>

[Range] $0 \leq n \leq 255$

[Outline] Specifying/canceling inverted characters.
 • “n” is valid only for the lowest bit.

n0	Condition
0	Canceling inverted characters.
1	Specifying inverted characters.

[Caution]

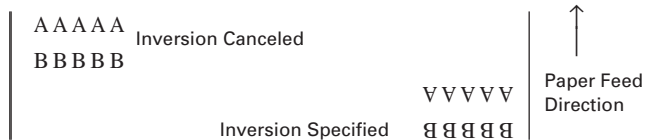
- Inverted printing means printing the line turned 180°.
- This command is valid only when it is specified at the beginning of a line.
- The settings of this command have no effect on PAGE MODE, but items set in PAGE MODE are valid even after STANDARD MODE resumes.

[Default] n = 0

[Sample Program]

```
LPRINT CHR$(&H1B) + "{" + CHR$(0);
LPRINT "AAAAA" + CHR$(&HA);
LPRINT "BBBBB" + CHR$(&HA);
LPRINT CHR$(&H1B) + "{" + CHR$(1);
LPRINT "AAAAA" + CHR$(&HA);
LPRINT "BBBBB" + CHR$(&HA);
END
```

[Print Results]



GS ! n

[Function] Specifying the character size

[Code] <1D>H<21>H<n>

[Range] $0 \leq n \leq 255$, where:
 $1 \leq$ vertical magnification ≤ 8 ,
 $1 \leq$ horizontal magnification ≤ 8

[Outline] Specifies the character size (Vertical and horizontal magnification).

Bit	Function	Value	
		Hex. Number	Decimal Number
0	Vertical magnification specification	Refer to Table 2, "Vertical Magnification".	
1			
2			
3			
4	Horizontal magnification specification	Refer to Table 1, "Horizontal Magnification".	
5			
6			
7			

Table 1 Horizontal Magnification

Hex.	Decimal	Magnification
00	0	1 ×(Standard)
10	16	2 ×(Double width)
20	32	3 ×
30	48	4 ×
40	64	5 ×
50	80	6 ×
60	96	7 ×
70	112	8 ×

Table 2 Vertical Magnification

Hex.	Decimal	Magnification
00	0	1 ×(Standard)
01	1	2 ×(Double height)
02	2	3 ×
03	3	4 ×
04	4	5 ×
05	5	6 ×
06	6	7 ×
07	7	8 ×

[Caution]

- This command works for all ANK characters except for HRI characters.
- This command is ignored if either the vertical magnification or horizontal magnification is out of the defined range.
- In STANDARD MODE, the vertical direction is defined as the paper feed direction, and the horizontal direction is defined as the direction perpendicular to the paper feed. These definitions are, therefore, interchanged when 90°-right-turned characters are specified.
- In PAGE MODE, the vertical direction means the top-bottom direction of each character. The horizontal direction means the side-to-side direction of each character.

- If characters of different vertical magnification are contained in a line, the baseline of each character is lined up.
- Horizontal and vertical magnification can also be specified/ canceled by ESC !.

The ESC ! or GS ! command, whichever is handled last, becomes effective.

[Default]

n = 0

[See Also]

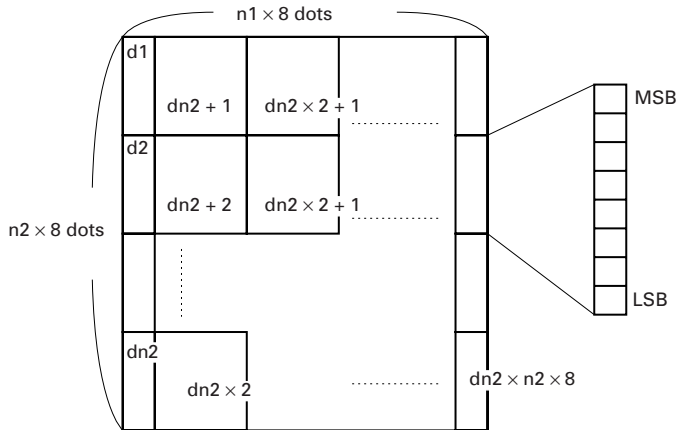
ESC !

GS \$ nL nH

[Function]	Specifying the absolute vertical position of characters in PAGE MODE
[Code]	<1D>H<24>H<nL><nH>
[Range]	$0 \leq nL \leq 255$ $0 \leq nH \leq 255$
[Outline]	This command is used in PAGE MODE to specify the vertical position of characters at the data mapping start position as an absolute value measured from the start point. The vertical position of a character at the next data mapping start position will be at a point $[(nL + nH \times 256) \times \text{basic calculation pitch}]$ inches away from the start point.
[Caution]	<ul style="list-style-type: none">• This command is ignored when PAGE MODE is not selected.• Any specification of absolute vertical position out of the print area is ignored.• The horizontal position of a character at the data mapping start position is not moved.• The start point used as the reference is specified by ESC T.• Depending on the start point specified by ESC T, this command acts as follows:<ol style="list-style-type: none">(1) If the start point is the top left or bottom right, the command specifies the absolute position in the paper feed direction (The character's top-bottom direction), using the vertical basic calculation pitch (y).(2) If the start point is the top right or bottom left, the command specifies the absolute position in the direction perpendicular to the paper feed (The character's top-bottom direction) using the horizontal basic calculation pitch (x).• The basic calculation pitch is set by GS P.• Fractions resulting from calculations are corrected with the minimum pitch of the mechanism, and the remainder is omitted.
[See Also]	ESC \$, ESC T, ESC W, ESC \, GS P, GS \

GS * n1 n2 [d] n1 × n2 × 8

- [Function]** Defining the download bit image
- [Code]** <1D>H<2A>H<n1><n2> [< d >] n1 × n2 × 8
- [Range]** $1 \leq n1 \leq 255$
 $1 \leq n2 \leq 48$
 $n1 \times n2 \leq 1536$
 $0 \leq d \leq 255$
- [Outline]** Defines download bit images of the number of dots specified by n1 and n2.
- The numbers of dots are n1 × 8 in horizontal direction and n2 × 8 in vertical direction.
 - "d" indicates bit image data.
 - Once defined, the download bit image remains effective until redefinition, ESC @ execution, ESC &, or power OFF takes place.
- [Caution]**
- Relations between the bit image data and the dots defined are shown below.
 - A download character and a download bit image cannot be defined simultaneously.
 - With this command executed, the defined content of a downloaded character is cleared.
- [See Also]** GS /



[Sample Program]

```
GOSUB IMG
LPRINT CHR$(&H1D) + "/" + CHR$(0);
LPRINT CHR$(&H1D) + "/" + CHR$(1);
LPRINT CHR$(&H1D) + "/" + CHR$(2);
LPRINT CHR$(&H1D) + "/" + CHR$(3);
END
IMG:
n1=10 : n2=5
LPRINT CHR$(&H1D) + "*";
LPRINT CHR$(n1) + CHR$(n2);
FOR J=1 TO n1*8
  FOR I=1 TO n2
    LPRINT CHR$(J);
  NEXT I
NEXT J
RETURN
```

[Print Results]

← NORMAL MODE

← DOUBLE WIDTH MODE

← DOUBLE HEIGHT MODE

← QUADRUPLE MODE

GS (A pL pH n m)

[Function] Execution of test printing

[Code] <1D>H<28>H<41>H<pL><pH><n><m>

[Definition] $(pL+(pH \times 256))=2$ ($pL=2$, $pH=0$)
 $0 \leq n \leq 2$, $48 \leq n \leq 50$
 $1 \leq m \leq 3$, $49 \leq m \leq 51$

[Outline] Specified test printing will be executed.

- pL, pH will specify the number of subsequent parameters by $(pL+(pH \times 256))$ bytes.
- n will specify the paper for test printing in the following table.

n	Category of paper
0, 48	Paper rolls
1, 49 2, 50	Paper rolls

- m will specify the category of test printing in the following table.

m	Category of test printing
1, 49	Hexadecimal dump
2, 50	Printer's status printing
3, 51	Rolling pattern printing

[Details]

- This command is only valid when processed at the head of a line during the STANDARD MODE.
- The command will be ignored in PAGE MODE.
- During macro definition, if this command is processed, the macro definition is suspended, and the command starts being processed.
- Printer will reset its hardware after finishing test printing. Therefore, the printer clears download characters, bit map images and macros, and returns the various settings to defaults. At this time, the DIP switches are read again.
- Paper cutting is performed at the end of test printing.
- Printer will be BUSY when the processing of the command starts.

GS / m

[Function] Printing the downloaded bit image

[Code] <1D>H<2F>H<m>

[Range] $0 \leq m \leq 3$
 $48 \leq m \leq 51$

[Outline] Prints downloaded bit image in a mode specified by “m”.
Modes that can be selected by “m” are shown below.

m	Mode Name	Dot Density in Vertical Direction	Dot Density in Horizontal Direction
0,48	NORMAL MODE	203 DPI	203 DPI
1,49	DOUBLE WIDTH MODE	203 DPI	101 DPI
2,50	DOUBLE HEIGHT MODE	101 DPI	203 DPI
3,51	QUADRUPLE SIZE MODE	101 DPI	101 DPI

[Caution]

- When data exist in the print buffer, this command is ignored.
- When a downloaded bit image has not been defined, this command is ignored.
- A portion of a downloaded bit image exceeding one line length is not printed.
- A downloaded character and a downloaded bit image cannot be defined simultaneously.
- Only inverted upside-down print mode affects this command. Other print modes (emphasis, underline, black-to-white reversal, etc.) do not.

[See Also] GS *

GS :

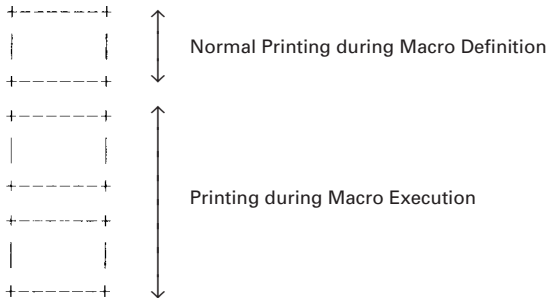
- [Function]** Starting/Ending macro definition
- [Code]** <1D>H<3A>H
- [Outline]** Specifying starting/ending macro definition.
Reception of this command during macro definition signifies ending the macro definition.
- [Caution]** Maximum content available for macro definition is 2048 bytes. A portion exceeding 2048 bytes is not defined.
- Even with ESC @ (Initialization of the printer) having been executed, defined content is not cleared. Therefore, it is possible to include ESC @ into the content of macro definition.
 - Normal printing operation is carried out even during macro definition.

[See Also] GS ^

[Sample Program]

```
LPRINT CHR$(&H1D) + “.”;
LPRINT “+———+” + CHR$(&HA);
LPRINT “|      |” + CHR$(&HA);
LPRINT “+———+” + CHR$(&HA);
LPRINT CHR$(&H1D) + “.”;
LPRINT CHR$(&H1D) + “^”;
LPRINT CHR$(2) + CHR$(10);
END
```

[Print Results]



GS B n

[Function] Specifying/Canceling the black/white inverted printing

[Code] <1D>H<42>H<n>

[Range] $0 \leq n \leq 255$

[Outline] This command specifies or cancels the black/white inverted printing.

n0	Function
0	The black/white inverted printing is canceled.
1	The black/white inverted printing is specified.

[Caution]

- Number “n” is only valid in the lowest bit.
- The black/white inversion works on internal and downloaded characters.
- The black/white inversion works also on the right spacing of characters defined by ESC SP.
- This command does not affect the bit image, downloaded bit image, bar code, HRI characters, or the skip area specified by HT, ESC \$, or ESC \.
- This command does not affect the space between lines.
- Underlining, even if specified, is not applied to black-to-white reversed characters; the underline setting, however, remains unchanged.

[Default] n = 0

GS H n

[Function] Selecting of printing position of HRI characters

[Code] <1D>H<48>H<n>

[Range] $0 \leq n \leq 3$

$48 \leq n \leq 51$

[Outline] Selecting printing position of HRI characters in printing bar codes.

- “n” means the followings.

n	Printing Position
0,48	No printing
1,49	Above the bar code
2,50	Below the bar code
3,51	Both above and below the bar code

- [Caution]**
- The HRI characters refer to the bar code-turned characters so that you can read them.
 - The HRI characters are printed in the font selected with GS f.
 - Specify before the GS k command.

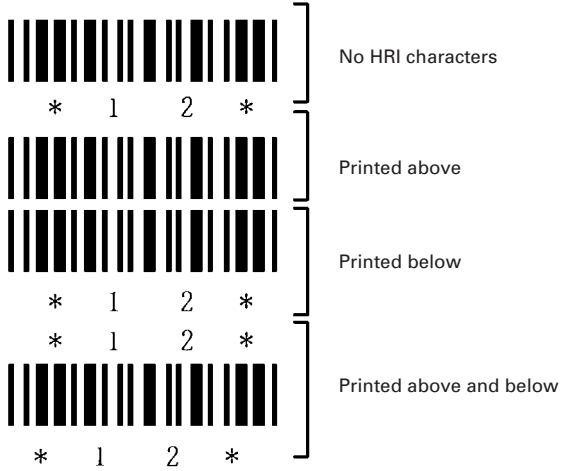
[Default] n = 0

[See Also] GS f, GS k

[Sample Program]

```
LPRINT CHR$(&H1B) + "3" + CHR$(5);
LPRINT CHR$(&H1D) + "h" + CHR$(50);
LPRINT CHR$(&H1D) + "H" + CHR$(0);
GOSUB BC
LPRINT CHR$(&H1D) + "H" + CHR$(1);
GOSUB BC
LPRINT CHR$(&H1D) + "H" + CHR$(2);
GOSUB BC
LPRINT CHR$(&H1D) + "H" + CHR$(3);
GOSUB BC
END
BC:
LPRINT CHR$(&H1D) + "k";
LPRINT CHR$(4);
LPRINT "12" + CHR$(0);
LPRINT CHR$(&HA);
RETURN
```

[Print Results]



GS I n

[Function] Sending the printer ID

[Code] <1D>H<49>H<n>

[Range] $1 \leq n \leq 3$

$49 \leq n \leq 51$

[Outline] Sends the specified printer ID.

n	Type of printer ID	Specification	Value (Hex.)
1,49	Model ID	iDP3240	40
2,50	Type ID	Refer to table "Type ID" below	
3,51	ROM version ID	As per ROM version	

Type ID

Bit	Meaning	Hex.	Decimal
0	Equipped for 2 byte code support	01	1
1	Equipped with autocutter	02	2
2	Undefined	—	—
3	Undefined	—	—
4	Unused (Fixed at 0)	00	0
5	Undefined	—	—
6	Undefined	—	—
7	Unused (Fixed at 0)	00	0

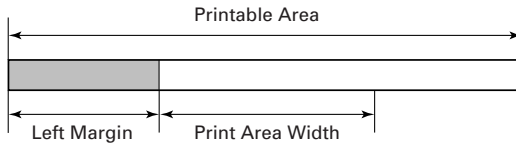
[Caution]

- Under DTR/DSR control, the printer sends the printer ID after verifying that the host is ready to receive. If the host is not ready to receive, the printer waits for the host to become ready to receive.
- Under XON/XOFF control, the printer sends the printer ID without checking whether the host is ready to receive or busy.
- Because this command is executed when data is mapped in the receive buffer, there may be a delay between command receiving and printer ID sending depending on the condition of the receive buffer.
- If ASB (Automatic Status Back) is enabled by GS a, the host must discriminate between the printer ID due to this command and the status due to ASB.

GS L nL nH

[Function] Setting the left margin
[Code] <1D>H<4C>H<nL><nH>
[Range] $0 \leq nL \leq 255$
 $0 \leq nH \leq 255$

[Outline] This command sets the left margin specified by nL and nH. The value of the left margin is $[(nL + nH \times 256) \times \text{basic calculation pitch}]$.



[Caution]

- This command only works when it is entered at the beginning of a line.
- The setting of this command does not affect PAGE MODE.
- The maximum settable left margin is equal to the horizontal printable area. A setting greater than this maximum is trimmed to the maximum.
- The basic calculation pitch is defined by GS P. Once defined, the left margin is not changed if the basic calculation pitch is changed by GS P.
- The left margin is calculated with the horizontal basic calculation pitch (x) set by GS P. A fraction resulting from the calculation is corrected with the minimum pitch of the mechanism, and the remainder is omitted.

[Default] nL = 0, nH = 0

[See Also] GS P, GS W

GS P x y

[Function]	Specifying the basic calculation pitch
[Code]	<1D>H<50>H<x><y>
[Range]	$0 \leq x \leq 255$ $0 \leq y \leq 255$
[Outline]	<p>This command sets the horizontal basic calculation pitch to approx. 25.4/x mm (1/x inches), and the vertical basic calculation pitch to approx. 25.4/y mm (1/y inches).</p> <ul style="list-style-type: none">• If x = 0, the horizontal basic calculation pitch is reverted to the default value.• If y = 0, the vertical basic calculation pitch is reverted to the default value.
[Caution]	<ul style="list-style-type: none">• The horizontal direction is defined as the direction perpendicular to the paper feed, and the vertical direction is defined as the paper feed direction.• In STANDARD MODE, the following parameters are used regardless of the character orientation (e.g. inverted or 90°-right-turned).<ol style="list-style-type: none">(1) Commands using x: ESC SP, ESC \$, ESC \, GS L, GS W(2) Commands using y: ESC 3, ESC J, GS V• In PAGE MODE, the parameters used depend on the character orientation, as follows:<ol style="list-style-type: none">(1) If the start point specified by ESC T is the top left or bottom right (The characters are mapped in the direction perpendicular to the paper feed):<ul style="list-style-type: none">• Commands using x: ESC SP, ESC \$, ESC W, ESC \• Commands using y: ESC 3, ESC J, ESC W, GS \$, GS \, GS V(2) If the start point specified by ESC T is the top right or bottom left (The characters are mapped in the paper feed direction):<ul style="list-style-type: none">• Commands using x: ESC 3, ESC J, ESC W, GS \$, GS \• Commands using y: ESC SP, ESC \$, ESC W, ESC \, GS V• This command does not affect any other values that are already set.• If calculations made in combination with another command generate fractions, the fractions are corrected with the minimum pitch of the mechanism, and the remainder is omitted.
[Default]	x = 203, y = 360
[See Also]	“PAGE MODE” in APPENDIX 1 ESC SP, ESC \$, ESC 3, ESC J, ESC W, ESC \, GS \$, GS L, GS W, GS \, GS V

GS V m (1)

GS V m n (2)

[Function] Cutting the paper

[Code] (1) <1D>H<56>H<m>
(2) <1D>H<56>H<m><n>

[Range] (1) m = 1, m = 49
(2) m = 66
 $0 \leq n \leq 255$

[Outline] Performs the specified paper cutting.

m	Function
1,49	Partial cut (Leaving a bridge area uncut)
66	Paper feed by "cut position + {n × basic calculation pitch}" and partial cut (Leaving a bridge area uncut)

[Caution] • In STANDARD MODE, this command only works when it is entered at the beginning of a line.

For (1):

- A partial cut (Leaving a bridge area uncut) is executed.

For (2):

- If n = 0, the paper is fed to the cut position, and then cut. If n ≠ 0, the paper is fed by "n × basic calculation pitch" past the cut position, and then cut.
- The basic calculation pitch is set by GS P.

The paper feed amount is calculated with the vertical basic calculation pitch (y).

A fraction resulting from the calculation is corrected with the minimum pitch of the mechanism, and the remainder is omitted.

GS W nL nH

[Function] Setting the print area width

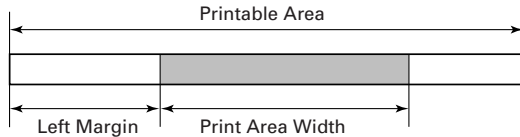
[Code] <1D>H<57>H<nL><nH>

[Range] $0 \leq nL \leq 255$

$0 \leq nH \leq 255$

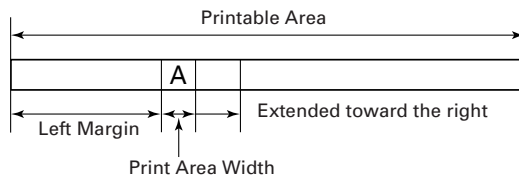
[Outline] Sets the print area width specified by nL and nH.

- The print area width will be $[(nL + nH \times 256) \times \text{basic calculation pitch}]$.

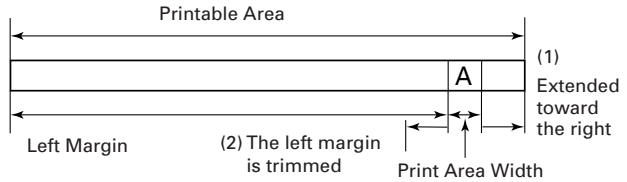


[Caution]

- This command only works when it is entered at the beginning of a line.
- The settings of this command have no effect on PAGE MODE, but items set in PAGE MODE will be valid even after STANDARD MODE resumes.
- If the value entered with this command exceeds the printable area for one line, the entire area except the left margin is set as the print area width.
- The basic calculation pitches are defined by GS P. Once defined, the print area width is not changed if the basic calculation pitch is changed by GS P.
- The print area width is calculated with the horizontal basic calculation pitch (x) defined by GS P. A fraction resulting from the calculation is corrected with the minimum pitch of the mechanism, and the remainder is omitted.
- If the first character to be mapped at the beginning of a line has a width (including the right spacing) greater than the print area width, only that line is handled as follows:
 - (1) The print area is extended toward the right to accommodate the first character, but not wider than the printable area.



(2) If a sufficient area cannot be provided as a result of step (1), the print area is extended toward the left (So, the left margin is decreased).



(3) If a sufficient area cannot be provided as a result of step (2), the right spacing is trimmed.

- When mapping a bit image (Or downloaded bit image), if the print area is narrower than the minimum width of the bit image (Two dots for single density, or one dot for double density), only the line for that image is handled as follows:

(1) The print area is extended toward the left (So, the left margin is decreased) until it is equal to the minimum width of the image, but not wider than the printable area.

[Default]

nL=64, nH=3

[See Also]

GS L, GS P

GS \ nL nH

[Function]	Specifying the relative vertical position of a character in PAGE MODE
[Code]	<1D>H<5C>H<nL><nH>
[Range]	$0 \leq nL \leq 255$ $0 \leq nH \leq 255$
[Outline]	This command is used in PAGE MODE to specify the vertical position of a character in the data mapping start position, in a relative position with respect to the current position. The next data mapping start position will be at a point [(nL + nH × 256)× basic calculation pitch] away from the current position.
[Caution]	<ul style="list-style-type: none">• This command is ignored when PAGE MODE is not selected.• If a new position is specified for a character located beneath the current position, it should be specified as positive (+). If it is above the current position, it should be negative (-).• A negative value is the complement of 65536. For example, to move the position by N pitches up, specify it as: $nL + nH \times 256 = 65536 - N$• The specification of a relative position outside the specified print area is ignored.• Depending on the start point specified by ESC T, this command acts as follows:<ol style="list-style-type: none">(1) If the start point is the top left or bottom right, the command specifies the relative position in the paper feed direction (The character's top-bottom direction) using the vertical basic calculation pitch (y).(2) If the start point is the top right or bottom left, the command specifies the relative position in the direction perpendicular to the paper feed (The character's top-bottom direction) using the horizontal basic calculation pitch (x).• The basic calculation pitch is set by GS P.• Fractions resulting from calculations are corrected with the minimum pitch of the mechanism, and the remainder is omitted.

GS ^ n1 n2 n3

[Function]	Executing the macro
[Code]	<1D>H<5E>H<n1><n2><n3>
[Range]	$0 \leq n1 \leq 255$ $0 \leq n2 \leq 255$ $0 \leq n3 \leq 1$
[Outline]	Executing contents defined in macro. n1 : The number of times of macro execution n2 : Waiting time on macro execution Waiting time of $n2 \times 100$ msec is given for every execution. n3 : Macro execution mode n3=0 Continuous execution: The Macro is executed "n1" times continuously at the time interval specified by "n2". n3=1 Execution by FEED Switch: After waiting for the time specified by "n2", the ALARM LED flickers and the FEED switch is waiting to be pressed. When it is pressed, the macro is executed once. This action is repeated "n1" times.
[Caution]	<ul style="list-style-type: none">• When this command is received while in macro definition, suspension of macro definition is indicated. At this time, the defined content is cleared.• No execution takes place when the macro is held undefined or $n1=0$.• While in macro execution with $n3=1$, paper feed with the FEED switch is not available.
[Default]	The initial value is not defined.
[See Also]	GS :
[Sample Program]	Refer to Sample Program and Print Results for GS : on page 102.

GS a n

- [Function]** Enabling/Disabling ASB (Automatic Status Back)
- [Code]** <1D>H<61>H<n>
- [Range]** $0 \leq n \leq 255$
- [Outline]** This command selects the status item to be addressed by ASB (Automatic Status Back.)

Bit	Status item addressed by ASB	Hex.	Decimal
0	Status of pin 3 of Drawer Kick-Out Connector = disabled	00	0
	Status of pin 3 of Drawer Kick-Out Connector = enabled	01	1
1	Online/offline status = disabled	00	0
	Online/offline status = enabled	02	2
2	Error status = disabled	00	0
	Error status = enabled	04	4
3	Continuous Paper Sensor = disabled	00	0
	Continuous Paper Sensor = enabled	08	8
4	Undefined	—	—
5	Undefined	—	—
6	Undefined	—	—
7	Undefined	—	—

- [Caution]**
- If any status item is enabled, the status is sent to the host when this command is executed. After that time on, the status is sent each time an enabled status item changes. Because each status item represents the current condition, status items disabled for ASB may also have changed.
 - The ASB function is disabled if all status items are disabled.
 - If the ASB function is enabled by default, the host receives the status the first time the printer gets ready for communication after it is turned on.
 - The printer sends 4 bytes of status shown in the tables below, without checking whether the host is ready to receive or busy. The 4 bytes of status is a continuous string except for XOFF code.
 - Because this command is executed when data is mapped in the receive buffer, there may be a delay between command receiving and status sending depending on the condition of the receive buffer.
 - Even if the printer is excluded from the selection of peripheral equipment (ESC =), the 4 bytes of status is sent to the host whenever status changes.
 - When DLE EOT, GS I, or GS r is used, the host must discriminate between the status specified by these commands and the status due to ASB.

(1) 1st byte (Printer information)

Bit	Status	Hex.	Decimal
0	Unused (Fixed at 0)	00	0
1	Unused (Fixed at 0)	00	0
2	Status of pin 3 of Drawer Kick-Out Connector = "L"	00	0
	Status of pin 3 of Drawer Kick-Out Connector = "H"	04	4
3	Online status	00	0
	Offline status	08	8
4	Unused (Fixed at 1)	10	16
5	Cover closed	00	0
	Cover open	20	32
6	Not in paper feed state triggered by FEED switch	00	0
	In paper feed state triggered by FEED switch	40	64
7	Unused (Fixed at 0)	00	0

(2) 2nd byte (Error occurrence information)

Bit	Status	Hex.	Decimal
0	Undefined	—	—
1	Undefined	—	—
2	Undefined	—	—
3	Auto cutter error not occurred	00	0
	Auto cutter error occurred	08	8
4	Unused (Fixed at 0)	00	0
5	Unrecoverable error not occurred	00	0
	Unrecoverable error occurred	20	32
6	Auto recovery error not occurred	00	0
	Auto recovery error occurred	40	64
7	Unused (Fixed at 0)	00	0

(3) 3rd byte (Paper Sensor information)

Bit	Status	Hex.	Decimal
0,1	Paper found by Paper Near-end Sensor	00	0
	Paper not found by Paper Near-end Sensor	03	3
2,3	Paper found by Paper end Sensor	00	0
	Paper not found by Paper end Sensor	0C	12
4	Unused (Fixed at 0)	00	0
5	Undefined	—	—
6	Undefined	—	—
7	Unused (Fixed at 0)	00	0

(4) 4th byte (Paper Sensor information)

Bit	Status	Hex	Decimal
0	Undefined	—	—
1	Undefined	—	—
2	Undefined	—	—
3	Undefined	—	—
4	Unused (Fixed at 0)	00	0
5	Undefined	—	—
6	Undefined	—	—
7	Unused (Fixed at 0)	00	0

[Default]

DIP Switch 2-6 OFF: n = 0

DIP Switch 2-6 ON: n = 2

[See Also]

DLE EOT, GS r, "IDENTIFICATION OF SEND STATUS" in APPENDIX 3

GS f n

[Function] Selecting the font of HRI characters

[Code] <1D>H<66>H<n>

[Range] n = 0, 1, 48, 49

[Outline] Selecting the font of HRI characters in printing bar code.
The type of font can be selected with “n” as follows:

n	Font
0, 48	Font A (12 × 24)
1, 49	Font B (9 × 24)

The HRI characters refer to the bar code-turned characters so that you can read them.

[Caution] The HRI characters are printed at the position specified with GS H.

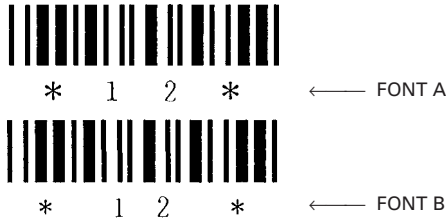
[Default] n = 0

[See Also] GS H

[Sample Program]

```
LPRINT CHR$(&H1D) + “h” + CHR$(50);
LPRINT CHR$(&H1D) + “H” + CHR$(2);
LPRINT CHR$(&H1D) + “f” + CHR$(0);
GOSUB BC
LPRINT CHR$(&H1D) + “f” + CHR$(1);
GOSUB BC
END
BC:
LPRINT CHR$(&H1D) + “k”;
LPRINT CHR$(4);
LPRINT “12” + CHR$(0);
LPRINT CHR$(&HA);
RETURN
```

[Print Results]



GS h n

[Function]	Specifying the height of the bar code
[Code]	<1D>H<68>H<n>
[Range]	$1 \leq n \leq 255$
[Outline]	Selecting bar code height. "n" denotes the number of dots in the vertical direction.
[Default]	n = 162
[Sample Program]	Refer to Sample Program and Print Results for GS w on page 131.

GS k m [d1 dk] NUL

GS k m n [d1 dn]

- [Function]** Printing the bar code
- [Code]** (1) <1D>H<6B>H<m> [d1.....dk] NUL
 (2) <1D>H<6B>H<m><n> [d1.....dn]
- [Range]** (1) $0 \leq m \leq 6$ The definitions of “k” and “d” vary with the bar code system.
 (2) $65 \leq m \leq 73$ The definitions of “n” and “d” vary with the bar code system.
- [Outline]** Selects a bar code system and prints the bar code.

For (1):

m	Bar code system	Range of “n”	Range of “d”
0	UPC-A	$11 \leq k \leq 12$	$48 \leq d \leq 57$
1	UPC-E	$11 \leq k \leq 12$	$48 \leq d \leq 57$
2	JAN13 (EAN)	$12 \leq k \leq 13$	$48 \leq d \leq 57$
3	JAN8 (EAN)	$7 \leq k \leq 8$	$48 \leq d \leq 57$
4	CODE39	$1 \leq k$	$48 \leq d \leq 57, 65 \leq d \leq 90$ 32, 36, 37, 43, 45, 46, 47
5	ITF	$1 \leq k$ (Must be an even number)	$48 \leq d \leq 57$
6	CODABAR	$1 \leq k$	$48 \leq d \leq 57, 65 \leq d \leq 68$ 36, 43, 45, 46, 47, 58

For (2):

m	Bar code system	Range of “n”	Range of “d”
65	UPC-A	$11 \leq n \leq 12$	$48 \leq d \leq 57$
66	UPC-E	$11 \leq n \leq 12$	$48 \leq d \leq 57$
67	JAN13 (EAN)	$12 \leq n \leq 13$	$48 \leq d \leq 57$
68	JAN8 (EAN)	$7 \leq n \leq 8$	$48 \leq d \leq 57$
69	CODE39	$1 \leq n \leq 255$	$48 \leq d \leq 57, 65 \leq d \leq 90$ 32, 36, 37, 43, 45, 46, 47
70	ITF	$1 \leq n \leq 255$ (An even number)	$48 \leq d \leq 57$
71	CODABAR	$1 \leq n \leq 255$	$48 \leq d \leq 57, 65 \leq d \leq 68$ 36, 43, 45, 46, 47, 58
72	CODE93	$1 \leq n \leq 255$	$0 \leq d \leq 127$
73	CODE128	$2 \leq n \leq 255$	$0 \leq d \leq 127$

[Caution]**For (1):**

- This command ends with a NUL code.
- For UPC-A or UPC-E, the bar code is printed when 12 bytes of bar code data have been entered, and the subsequent data is handled as normal data.
- For JAN13, the bar code is printed when 13 bytes of bar code data have been entered, and the subsequent data is handled as normal data.
- For JAN8, the bar code is printed when 8 bytes of bar code data have been entered, and the subsequent data is handled as normal data.
- The data of ITF bar code must have an even number of columns. Should the data have an odd number of columns, the last column is ignored.

For (2):

- Numeral “n” indicates the number of data items, and the subsequent “n” bytes of data are handled as bar code data.
- If “n” is out of the range, the processing of the command is aborted, and the subsequent data is handled as normal data.

For STANDARD MODE:

- If “d” is out of the range, only a paper feed is executed, and the subsequent data is handled as normal data.
- If the bar code is wider than the print area for one line, the bar code is not printed, but only a paper feed is executed.
- The amount of paper feed corresponds to the height of the bar code (including the HRI characters if HRI character printing is specified), irrespective of the line feed width set by a command such as ESC 2 or ESC 3.
- This command only works if no data exists in the print buffer. If any data exists in the print buffer, the data subsequent to “m” is handled as normal data.
- After the bar code is printed, the beginning of the line is taken as the start position for the next print.
- This command is not affected by any print modes (Emphasis, double strike, underline, and character size), except for the inverted character mode.

For PAGE MODE:

- This command only maps the bar code, without performing a printout. After the bar code is mapped, the dot next to the last data item of the bar code is taken as the start position for the next data mapping.
- If “d” is out of the range, the processing of the command is aborted, and the subsequent data is handled as normal data. In this case, the data mapping start position does not move.
- If the bar code is wider than the print area, the bar code is not printed, but the data mapping start position is moved to the left end of the non-print area.

[Default]

The initial value is not defined.

[Description of Bar Codes]

<For print examples, refer to page 126.>

UPC-A	This bar code, consisting of numerals only, has a fixed length of 12 columns; a 11-column number entered from the host or application software plus a check digit (12th column) automatically calculated inside the printer. If the 12th-column numeral is sent from the host, the entire bar code will be printed as it is.
UPC-E	This bar code, consisting of numerals only, has a fixed length of 8 columns; the first number system character is "0" stationary. A 12-column numeral entered from the host or application software is compressed to 8 columns with a check digit attached and then is printed. The 12th-column check digit is automatically calculated inside the printer. If it is and sent from the host, the entire bar code will be printed, compressed to 8 columns.
JAN-13(EAN)	This bar code, consisting of numerals only, has a fixed length of 13 columns; a 12-column number entered from the host or application software plus a check digit (13th column) automatically calculated inside the printer. If the 13th-column numeral is sent from the host, the entire bar code will be printed as it is.
JAN-8(EAN)	This bar code, consisting of numerals only, has a fixed length of 8 columns; a 7-column number entered from the host or application software plus a check digit (8th column) automatically calculated inside the printer. If the 8th-column numeral is sent from the host, the entire bar code will be printed as it is.
CODE39	This bar code, consisting of uppercase alphabetic characters and numerals, has a variable length of columns. The start/stop code "*" is automatically added by the printer. The available characters include space and "\$ % * + - . / 0 1 2 3 4 5 6 7 8 9" and uppercase alphabetic characters.
ITF	This bar code, consisting of only numerals, has a variable length of even-number columns. If a code of odd-number columns is sent, the bar code will not be printed.

CODABAR (NW-7)

This bar code, consisting of alphanumerics, has a variable length of columns. Available characters include "0 1 2 3 4 5 6 7 8 9 A B C D \$ + - . / :". A start/stop code is required; any one of A, B, C, and D is used.

CODE93

This bar code, consisting of alphanumeric and control characters, has a variable length of columns. The HRI character string is preceded and followed by a "■" character. HRI characters for control characters (00H - 1FH, and 7FH) are each printed as a combination of a "■" character and an alphabetic character.

Control character		HRI character	Control character		HRI character
ASCII	Hex.		ASCII	Hex.	
NUL	00	■ U	DLE	10	■ P
SOH	01	■ A	DC1	11	■ Q
STX	02	■ B	DC2	12	■ R
ETX	03	■ C	DC3	13	■ S
EOT	04	■ D	DC4	14	■ T
ENQ	05	■ E	NAK	15	■ U
ACK	06	■ F	SYN	16	■ V
BEL	07	■ G	ETB	17	■ W
BS	08	■ H	CAN	18	■ X
HT	09	■ I	EM	19	■ Y
LF	0A	■ J	SUB	1A	■ Z
VT	0B	■ K	ESC	1B	■ A
FF	0C	■ L	FS	1C	■ B
CR	0D	■ M	GS	1D	■ C
SO	0E	■ N	RS	1E	■ D
SI	0F	■ O	US	1F	■ E
			DEL	7F	■ T

CODE128 This bar code consists of 103 bar code characters and three code sets, enabling 128 ASCII code characters to be printed. It has a variable length of columns.

- Code set A ASCII characters 00H - 5FH can be represented.
- Code set B ASCII characters 20H - 7FH can be represented.
- Code set C Two-digit numbers 00 - 99 can each be represented by one character.

In addition to the above characters, special characters are available.

- The code set following a code set select character (CODE A, CODE B, CODE C) is switched to code set A, B, or C.
- Function characters (FNC1, FNC2, FNC3, FNC4):
How the function characters are used depends on each application.

When sending print data, note these points:

- (1) Each string of bar code data must begin with a code set select character (CODE A, CODE B, or CODE C), which selects the first code set to use.
- (2) Every special character is specified by a combination of two characters: a brace "{" followed by one character. A brace "{" itself is sent twice consecutively.

Special characters

Hex.	ASCII	Code set A	Code set B	Code set C
7B53	{ S	SHIFT	SHIFT	-N/A-
7B41	{ A	-N/A-	CODE A	CODE A
7B42	{ B	CODE B	-N/A-	CODE B
7B43	{ C	CODE C	CODE C	-N/A-
7B31	{ 1	FNC1	FNC1	FNC1
7B32	{ 2	FNC2	FNC2	-N/A-
7B33	{ 3	FNC3	FNC3	-N/A-
7B34	{ 4	FNC4	FNC4	-N/A-
7B7B	{ {	'{'	'{'	'{'

<Example>

To print "No." in code set B, followed by "123456" in code set C, send the following data string:

GS k <73><10><7Bh 42h> "No." <7Bh 43h><12><34><56>

- If the printer finds a string of bar code data that does not begin with a code set select character, it immediately aborts the command processing and handles the subsequent data as normal data.
- If the printer received a character that is not available in the currently selected code set, it immediately aborts the command processing and handles the subsequent data as normal data.
- An HRI character corresponding to either a Shift character or a code select character is not printed. An HRI character for either a function character or a control character is treated as a space character.

[Sample Program]

```
LPRINT CHR$(&H1D) + "H" + CHR$(2);
LPRINT CHR$(&H1D) + "k";
LPRINT CHR$(4);
LPRINT "123" + CHR$(0);
END
```

[Print Results]



* 1 2 3 *

When the data "123" is printed with the code 39

[Description of Bar Codes]

UPC-A, UPC-E, JAN-13 (EAN), JAN-8 (EAN), CODE39, ITF, CODABAR, CODE93, CODE128

Type	Print Sample	Outline of Symbol
UPC-A		12-column fixed-length bar code consisting of numerals only.
UPC-E		8-column fixed-length bar code consisting of numerals only. Abbreviated version of UPC-A.
JAN-13		13-column fixed-length bar code consisting of numerals only.
JAN-8		8-column fixed-length bar code consisting of numerals only.
CODE39		Variable-length bar code consisting of alphabetic characters and numerals. The start/stop code "*" is automatically added.
ITF		Even-column variable-length bar code consisting of numerals only.
CODABAR (NW-7)		Variable-length bar code consisting of alphanumeric characters. Any one of A, B, C, and D is required as the start/stop code.
CODE93		Variable-length bar code consisting of alphanumeric and control characters.
CODE128		Variable-length bar code consisting of any of 128 ASCII code characters.

Printing is done according to bar code type, number of print columns, bar code height, width (Magnification), availability of HRI character, and bar code data.

GS r n

[Function]

Sending status

[Code]

<1D>H<72>H<n>

[Range]

1 ≤ n ≤ 2

49 ≤ n ≤ 50

[Outline]

Sends the specified status to the host.

n = 1, 49: Sends the Paper Sensor status.

n = 2, 50: Sends the Drawer Kick-Out Connector status.

[Caution]

- When the serial interface is used:

For DTR/DSR control:

The printer sends the status after verifying that the host is ready to receive. If the host is not ready to receive, the printer waits for the host to become ready to receive.

For XON/XOFF control:

The printer sends the status without checking whether the host is ready to receive or busy.

- Because this command is executed when data is mapped in the receive buffer, there may be a delay between receiving the command and sending the status depending on the condition of the receive buffer.
- If ASB (Automatic Status Back) is enabled by GS a, the host must discriminate between the status due to this command and the status due to ASB.
- Paper Sensor status (n = 1, 49)

Bit	Status	Hex.	Decimal
0,1	Paper found by Paper Near-end Sensor	00	0
	Paper not found by Paper Near-end Sensor	03	3
2,3	Paper found by Paper end Sensor	00	0
	Paper not found by Paper end Sensor	(0C)	(12)
4	Unused (Fixed at 0)	00	0
5	Undefined	—	—
6	Undefined	—	—
7	Unused (Fixed at 0)	00	0

Bits 2, 3: Whenever the Paper end Sensor detects a “paper out” state, the printer goes offline, and the command is not executed. The printer, therefore, never sends a status where bit 2 = “1” or bit 3 = “1”.

• Drawer Kick-Out Connector status (n = 2, 50)

Bit	Status	Hex.	Decimal
0	Status of pin 3 of Drawer Kick Connector = "L"	00	0
	Status of pin 3 of Drawer Kick Connector = "H"	01	1
1	Undefined	—	—
2	Undefined	—	—
3	Undefined	—	—
4	Unused (Fixed at 0)	00	0
5	Undefined	—	—
6	Undefined	—	—
7	Unused (Fixed at 0)	00	0

[See Also]

DLE EOT, GS a, "IDENTIFICATION OF SEND STATUS" in APPENDIX 3

GS v 0 m xL xH yL yH d1...dk

[Function] Printing of raster bit image

[Code] <1D>H<76>H<30>H<m><xL><xH><yL><yH> [<d>] k

[Range] $0 \leq m \leq 3$, $48 \leq m \leq 51$, $0 \leq xL \leq 255$, $0 \leq xH \leq 255$,
 $0 \leq yL \leq 255$, $0 \leq yH \leq 8$, $0 \leq d \leq 255$,
 $k=(xL+xH \times 256) \times (yL+yH \times 256)$, however, $k \neq 0$

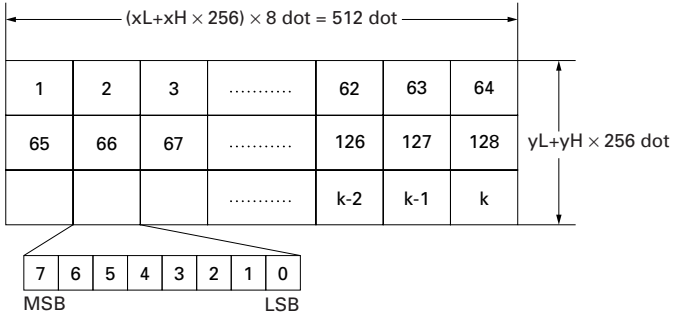
[Outline] Prints raster bit images in mode "m".

m	Mode Name	Dot Density in Vertical Direction	Dot Density in Horizontal Direction
0,48	NORMAL MODE	203 DPI	203 DPI
1,49	DOUBLE WIDTH MODE	203 DPI	101 DPI
2,50	DOUBLE HEIGHT MODE	101 DPI	203 DPI
3,51	QUADRUPLE SIZE MODE	101 DPI	101 DPI

- xL, xH specify the number of data in horizontal direction of the bit image to $(xL+xH \times 256)$ bytes.
 - yL, yH specify the number of data in vertical direction of the bit image to $(yL+yH \times 256)$ bytes.
- [Details]**
- In STANDARD MODE, this command is valid only when there is no print data in the print buffer.
 - Any of the print modes (Character size, emphasis, double strike, inverting, underlining, back-to-white reversing, etc.) does not affect the raster bit image.
 - If the print area specified by GS L and GS W is narrower than a minimum width, the print area for that line only is extended to the minimum width. The minimum width is one dot in NORMAL MODE (m=0, 48) and DOUBLE HEIGHT MODE (m=2, 50), and 2 dot in DOUBLE WIDTH MODE (m=1, 49) and QUADRUPLE SIZE MODE (m=3, 51).
 - Any part of data that is out of the print area is only read and discarded in units of dot.
 - The print start position can arbitrarily be specified with HT (Horizontal tab), ESC \$ (Specifying absolute position), ESC \ (Specifying relative positions), and GS L (Setting left margins). Note that if the print start position is not a multiple of 8, the printing speed may decrease.
 - The setting of ESC a (Aligning characters) are also valid for the raster bit image.

- If this command is executed during macro definition, the macro definition is suspended, and the processing of the command starts. The macro is left undefined.
- “d” denotes defined data. Dots to be printed are specified as “1”, and those not to be printed as “0”.

[Example] When $xL+xH \times 256= 64$



GS w n

[Function] Specifying the horizontal size (Magnification) of bar code

[Code] <1D>H<77>H<n>

[Range] $2 \leq n \leq 6$

[Outline] Selecting bar code width.

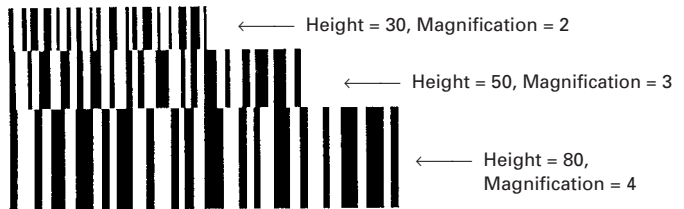
“n” denotes the number of dots in fine element width.

[Default] n = 3

[Sample Program]

```
LPRINT CHR$(&H1D) + "h" + CHR$(30);
LPRINT CHR$(&H1D) + "w" + CHR$(2);
GOSUB BC
LPRINT CHR$(&H1D) + "h" + CHR$(50);
LPRINT CHR$(&H1D) + "w" + CHR$(3);
GOSUB BC
LPRINT CHR$(&H1D) + "h" + CHR$(80);
LPRINT CHR$(&H1D) + "w" + CHR$(4);
GOSUB BC
END
BC:
LPRINT CHR$(&H1D) + "k";
LPRINT CHR$(4);
LPRINT "12" + CHR$(0);
RETURN
```

[Print Results]







FS p n m

[Function] Printing the download NV bit images

[Code] <1C>H<70>H<n><m>

[Range] $1 \leq n \leq 255$

$0 \leq m \leq 3$

$48 \leq m \leq 51$

[Outline] This command prints the download NV bit images (n) using a specified mode (m).

m	Mode Name	Dot Density in Vertical Direction	Dot Density in Horizontal Direction
0,48	NORMAL MODE	203 DPI	203 DPI
1,49	DOUBLE WIDTH MODE	203 DPI	101 DPI
2,50	DOUBLE HEIGHT MODE	101 DPI	203 DPI
3,51	QUADRUPLE SIZE MODE	101 DPI	101 DPI

- “n” denotes the number of the download bit image.
- “m” denotes the bit image mode.

[Details]

- The download NV bit image refers to the image that is defined by the FS q command in the non-volatile memory and printed by the FS p command.
- When the specified NV bit image “n” is undefined, this command is invalid.
- When the STANDARD MODE is selected, this command is valid only when there is no data in the print buffer.
- This command is invalid when PAGE MODE is selected.
- Any printing modes except the upside-down printing mode (i.e. emphasis, double strike, underlining, character size, inverted character printing, 90° - right-turned) are not affected.
- When the printing area set by the functions GS L and GS W is not enough for one vertical line of the download NV bit image, the line alone is dealt with as follows. One vertical line of the bit image is 1 dot in NORMAL MODE (m = 0, 48) and DOUBLE HEIGHT MODE (m = 2, 50), and it is 2 dots in DOUBLE WIDTH MODE (m = 1, 49) and QUADRUPLE SIZE MODE. (m = 3, 51)
 - 1) The printing area is extended to the right side within the limits of the printing area so that one vertical line of the download NV bit image can be printed.
 - 2) When a sufficient printing area cannot be maintained even after executing (1), the printing area is extended to the left side. (The left margin is reduced.)

- When the size of a bit image exceeds the limits of the printing area, the data within the limits of the printing area will be printed but the parts exceeding the limit will not be printed.
- Regardless of the amount of line feed set with ESC 2 and ESC 3, NORMAL MODE and DOUBLE WIDTH MODE execute a paper feed of (Height n of NV bit image) dots while DOUBLE HEIGHT MODE and QUADRUPLE SIZE MODE execute a paper feed of (Height n of NV bit image × 2) dots.
- At the completion of the bit image printing, the head of the line will be used for the next printing position and normal data processing will take place.

[Related Commands] ESC *, FS q, GS / , GS v 0

FS q n [xL xH yL yH d1...dk] 1... [xL xH yL yH d1...dk] n

[Function] Defining the download NV bit image

[Code] <1C>H<71>H<n>H

[Range] $1 \leq n \leq 255$, $0 \leq xL \leq 255$,
 $0 \leq xH \leq 3$ but, $1 \leq (xL + xH \times 256) \leq 1023$
 $0 \leq yL \leq 255$
 $0 \leq yH \leq 1$ but, $1 \leq (yL + yH \times 256) \leq 288$
 $0 \leq d \leq 255$
 $k = (xL + xH \times 256) \times (yL + yH \times 256) \times 8$
Total definition area = 2M bit (256K bytes)

[Outline] This command defines the specified NV bit image.

- “n” denotes the number of bit images to be defined.
- xL and xH denote the horizontal size of one NV bit image as $(xL + xH \times 256) \times 8$ dots.
- yL and yH denote the vertical size of one NV bit image as $(yL + yH \times 256) \times 8$ dots.

[Details]

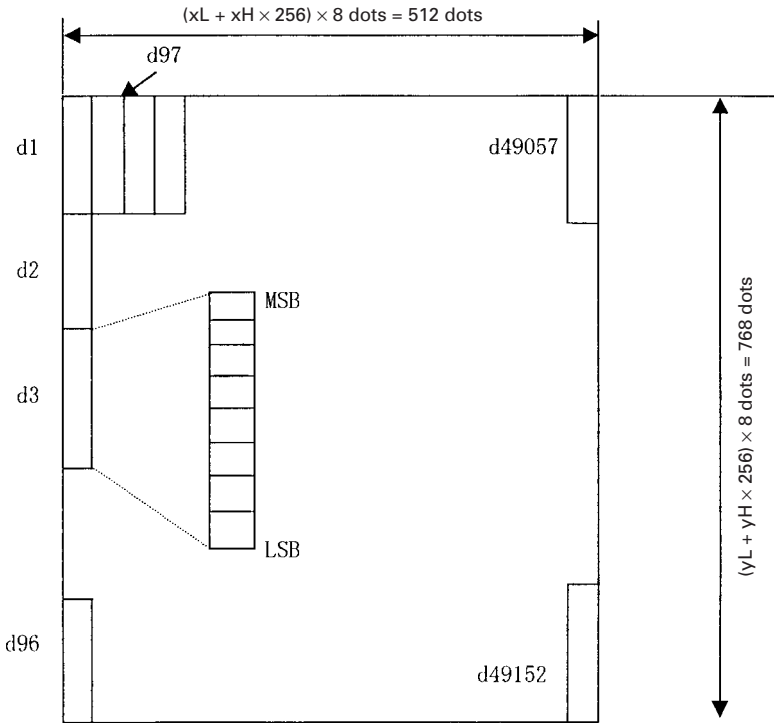
- Because all the NV bit images previously defined by this command are deleted, it is not possible to redefine any one of the previously defined multiple data. All the data must be resent.
- From the execution of this command until the completion of the hardware reset, any mechanical operation such as opening the cover, initializing the printer head position, or using the paper-feed switch etc.
- The NV bit image refers to a bit image that is defined by the FS q command in the non-volatile memory and printed by the FS p command.
- When the STANDARD MODE is selected, this command is only valid when it is written at the head of a line.
- This command is invalid when PAGE MODE is selected.
- This command becomes valid after the 7 bytes of <FS ~ yH> are processed as normal values.
- When data which exceeds the remaining capacity of the defined area is specified by xL, xH, yL, yH, outside-defined-area arguments will be processed.
- When outside-defined-area arguments are processed for the first bit image data group, this command becomes invalid.

- If outside-defined-area arguments are processed for the second or subsequent NV bit image data groups, the processing of this command is suspended, and a writing process into the non-volatile memory starts. At this time, the NV bit image being defined becomes invalid (Undefined), but the preceding NV bit images are valid.
- “d” denotes the definition data. Bits which correspond to dots to be printed are represented as 1, and those not to be printed as 0.
- The definition will start from NV bit image number 01H and n-number bit images will be defined in ascending order. Therefore, the first data group [xL xH yL yH d1... dk] becomes NV bit image number 01H, and the last data group [xL xH yL yH d1... dk] becomes NV bit image number 0nH. These numbers of NV bit images coincide with those specified with FS p.
- The definition data of one NV bit image consists of [xL xH yL yH d1... dk]. Therefore, when only one NV bit image is defined, n=1; the data group [xL xH yL yH d1... dk] is manipulated once, and $([Data: (xL + xH \times 256) \times (yL + yH \times 256) \times 8] + [header: 4])$ bytes of non-volatile memory is used to store it.
- The maximum definition area of this printer is 2M bit (256K byte). Multiple NV bit images can be defined, but bit images of which total size (Bit image data + header) exceeds 2M bit(256K byte) can not be defined.
- The printer state will change to BUSY just before the writing operation into the non-volatile memory begins. Also, for a printer that has a DIP switch [BUSY], the printer state will change to BUSY just before the writing operation begins regardless of the state of the DIP switch.
- While this command is being executed, it is not possible to send ASB status or to detect the printer status even when the ASB function is selected.
- If this command is sent while a macro is still being defined, the definition process will be stopped and the execution of this command will start.
- NV bit images that are defined already are not initialized by using ESC @ command, or by resetting the printer or turning the power off.
- The command only executes definition of NV bit image, but not start printing. The printing of NV bit image will be executed by FS p.

[Caution]

- Too frequent use of this command may destroy the non-volatile memory.
- Just after the completion of the writing operation into the non-volatile memory, the printer hardware will be reset. Therefore, download characters, download bit images, and macro definition will be cleared. Then, the status of dip switches will be checked once more.

[Related Commands] FS p



[Example]

When $xL = 64$, $xH = 0$, $yL = 96$, $yH = 0$

11. CHARACTER CODES TABLE

11.1 Code Page

11.1.1 Codepage 00H to 7FH & PC437 (USA, European Standard)

	0	1	2	3	4	5	6	7	8	9	A	B	C	D	E	F
0	NUL	DLE	SP	0	@	P	'	p	Ç	É	á	⋮	⌒	⌒	α	≡
1		XON	!	1	A	Q	a	q	ü	æ	í	⌘	⌒	⌒	β	±
2			"	2	B	R	b	r	é	Æ	ó	⌘	⌒	⌒	Γ	≧
3		XOF	#	3	C	S	c	s	â	ô	ú		⌒	⌒	π	≦
4	EOT	DC4	\$	4	D	T	d	t	ä	ö	ñ	⌒	⌒	⌒	Σ	ƒ
5	ENQ		%	5	E	U	e	u	à	ò	Ñ	⌒	⌒	⌒	σ	Ј
6			&	6	F	V	f	v	â	û	ä	⌒	⌒	⌒	μ	÷
7			'	7	G	W	g	w	ç	ù	ø	⌒	⌒	⌒	τ	≈
8		CAN	(8	H	X	h	x	ê	ÿ	¿	⌒	⌒	⌒	Φ	•
9	HT)	9	I	Y	i	y	ë	Ö	⌒	⌒	⌒	⌒	θ	•
A	LF		*	:	J	Z	j	z	è	Ü	⌒	⌒	⌒	⌒	Ω	•
B		ESC	+	;	K	[k	{	ï	ø	½	⌒	⌒	⌒	δ	√
C	FF	FS	,	<	L	\	l		î	£	¼	⌒	⌒	⌒	∞	n
D	CR	GS	-	=	M]	m	}	ï	¥	¡	⌒	⌒	⌒	φ	²
E			.	>	N	^	n	~	Ä	Pl	«	⌒	⌒	⌒	ε	■
F			/	?	O	_	o		Å	f	»	⌒	⌒	⌒	∩	

11.1.2 Codepage Katakana (Japanese)

	8	9	A	B	C	D	E	F
0	—	⊥	SP	—	タ	ミ	ニ	×
1	—	⊥	。	ア	チ	ム	ト	四
2	—	⊥	⊥	イ	ツ	メ	キ	年
3	■	ト	⊥	ウ	テ	モ	ト	月
4	■	—	、	エ	ト	ヤ	▲	日
5	■	—	。	オ	ナ	ユ	▲	時
6	■	〃	ヲ	カ	ニ	ヨ	▼	分
7	■		ア	キ	ヌ	ラ	▼	秒
8		⊥	イ	ク	ネ	リ	♠	千
9		⊥	ウ	ケ	ノ	ル	♥	市
A		⊥	エ	コ	ハ	レ	◆	区
B		⊥	オ	サ	ヒ	ロ	♣	町
C		/	ヤ	シ	フ	ワ	●	村
D)	ユ	ス	ヘ	ン	○	人
E		(ヨ	セ	ホ	“	/	織
F	+)	ツ	ソ	マ	°	＼	SP

11.1.3 Codepage PC850 (Multilingual)

	8	9	A	B	C	D	E	F
0	Ç	É	á	⋮	↳	ð	Ó	—
1	ü	æ	í	⌘	⊥	Ð	β	±
2	é	Æ	ó	⌘	⊥	Ê	Ô	=
3	â	ô	ú		⊥	È	Ò	¼
4	ä	ö	ñ	⊥	—	È	ö	¶
5	à	ò	Ñ	Á	+	ì	Ö	§
6	ã	û	ã	Â	ã	í	μ	÷
7	ç	ù	ø	À	Ã	î	þ	>
8	ê	ÿ	¿	©	↳	Ï	þ	°
9	ë	Û	®	⌘	⌘	⊥	Ú	∞
A	è	Û	¬		⊥	⌘	Û	•
B	ï	ø	½	⌘	⌘	■	Û	¹
C	î	£	¼	⌘	⌘	■	ý	³
D	ì	Ø	ì	¢	=	;	Ý	²
E	Ä	×	«	≠	⌘	ì	—	■
F	Å	f	»	⌘	□	■	˘	

11.1.4 Codepage PC860 (Portuguese)

	8	9	A	B	C	D	E	F
0	Ç	É	á	⋮	└	⊥	α	≡
1	ü	À	í	⌘	┘	⌘	β	±
2	é	È	ó	⌘	┘	π	Γ	≈
3	â	ô	ú		┘	⊥	π	≤
4	ã	õ	ñ	┘	—	⊥	Σ	∫
5	à	ò	Ñ	≡	+	F	σ	J
6	Á	Ú	ã	≡	⊥	π	μ	÷
7	ç	ù	ø	π	┘	⊥	τ	≈
8	ê	ì	ï	≡	⊥	≠	Φ	°
9	Ê	Ô	Ò	≡	⊥	┘	θ	•
A	è	Û	¬		⊥	┘	Ω	.
B	í	ç	½	π	⊥	■	δ	√
C	Ô	£	¼	┘	┘	■	∞	n
D	ì	Û	¡	⊥	=	■	φ	²
E	Ã	Pt	«	┘	≠	■	∈	■
F	Â	Ó	»	┘	⊥	■	∩	

11.1.5 Codepage PC863 (Canadian-French)

	8	9	A	B	C	D	E	F
0	Ç	É	;	⋮	⌒	⊥	α	≡
1	ü	È	'	⌘	⊥	⊥	β	±
2	é	Ê	ó	⌘	⊥	⊥	Γ	≥
3	â	ô	ú		⊥	⊥	π	≤
4	Â	Ë	¨	⊥	—	⊥	Σ	∫
5	à	Ï	>	⊥	+	⊥	σ	∫
6	ŋ	û	ª	⊥	⊥	⊥	μ	÷
7	ç	ù	—	⊥	⊥	⊥	τ	≈
8	ê	□	ı	⊥	⊥	⊥	Φ	°
9	ë	Ô	∟	⊥	⊥	⊥	θ	•
A	è	Û	∟	⊥	⊥	⊥	Ω	.
B	ï	ç	½	⊥	⊥	■	δ	√
C	ı	£	¼	⊥	⊥	■	∞	n
D	=	Û	¾	⊥	=	■	φ	²
E	À	Û	<<	⊥	⊥	■	∈	■
F	§	ƒ	>>	∟	⊥	■	∩	

11.1.6 Codepage PC865 (Nordic)

	8	9	A	B	C	D	E	F
0	Ç	É	á	⋮	⌞	⌚	α	≡
1	ü	æ	í	⌘	⌞	⌚	β	±
2	é	Æ	ó	⌘	⌞	⌚	Γ	≥
3	â	ô	ú		⌞	⌚	π	≤
4	ä	ö	ñ	⌞	—	⌚	Σ	∫
5	à	ò	Ñ	⌞	+	⌚	σ	∫
6	â	û	a	⌞	⌞	⌚	μ	÷
7	ç	ù	o	⌞	⌞	⌚	τ	≈
8	ê	ÿ	ı	⌞	⌚	⌞	Φ	°
9	ë	Û	ı	⌞	⌚	⌞	θ	•
A	è	Û	ı		⌚	⌞	Ω	.
B	ï	ø	½	⌞	⌚	■	δ	√
C	î	£	¼	⌞	⌞	■	∞	n
D	ì	Ø	j	⌞	=	■	φ	²
E	Ä	Pl	≤	⌞	⌞	■	∈	■
F	Å	f	α	⌞	⌚	■	∩	

11.1.7 Codepage PC852 (Eastern Europe)

	8	9	A	B	C	D	E	F
0	Ç	É	á	⋮	⊥	đ	Ó	-
1	ü	Ł	í	⊗	⊥	Đ	β	"
2	é	Í	ó	⊗	⊥	Ď	Ô	˘
3	â	ô	ú		⊥	Ě	Ň	˘
4	ä	ö	À	⊥	—	ď	ń	˘
5	u	Ł	a	Á	†	Ň	ň	§
6	ć	ł	ż	Â	À	í	š	÷
7	ç	Ś	ż	Ě	ă	î	ș	,
8	ł	ś	Ę	Ş	⊥	ě	Ř	°
9	ë	Ö	ę	≡	⊥	⊥	Ú	..
A	Ó	Ü			⊥	⊥	ř	•
B	ó	Ť	z	⊥	⊥	■	Ú	ů
C	î	Ť	Č	≡	⊥	■	ý	Ř
D	Ž	Ł	ş	Ž	=	⊥	Ý	ř
E	Ă	X	«	z	≡	Ů	ţ	■
F	Ć	č	»		α	■	´	SP

11.1.8 Codepage PC866 (Russian)

	8	9	A	B	C	D	E	F
0	А	Р	а	⋮	⌒	⌒	р	È
1	Б	С	б	⊗	⌒	⌒	с	ë
2	В	Т	в	⊗	⌒	⌒	т	Е
3	Г	У	г		⌒	⌒	у	ε
4	Д	Ф	д	⌒	—	⌒	ф	Ï
5	Е	Х	е	⌒	⌒	⌒	х	ï
6	Ж	Ц	ж	⌒	⌒	⌒	ц	ÿ
7	З	Ч	з	⌒	⌒	⌒	ч	ÿ
8	И	Ш	и	⌒	⌒	⌒	ш	°
9	Й	Щ	й	⌒	⌒	⌒	щ	·
A	К	Ъ	к		⌒	⌒	ъ	·
B	Л	Ы	л	⌒	⌒	■	ы	√
C	М	Ь	м	⌒	⌒	■	ь	No
D	Н	Э	н	⌒	==	■	э	□
E	О	Ю	о	⌒	⌒	■	ю	■
F	П	Я	п	⌒	⌒	■	я	

11.1.9 Codepage PC857 (Turkish)

	8	9	A	B	C	D	E	F
0	Ç	É	á	⋮	Ł	ǒ	Ó	-
1	ü	æ	í	⊠	⊥	ǫ	β	±
2	é	Æ	ó	⊠	⊥	Ê	Ô	
3	â	ô	ú		†	Ë	Ò	¾
4	ä	ö	ñ	†	—	È	ö	¶
5	à	ò	Ñ	Á	†		Õ	§
6	á	û	Ğ	Â	ã	í	μ	+
7	ç	ù	ğ	À	Ã	î		,
8	ê	±	ı	©	ℒ	ï	×	°
9	ë	Ö	®	≠	℞	┘	Ú	¨
A	è	Ü	¬		⊥	ı	Û	•
B	ï	ø	½	⌞	⊥	■	Ü	¹
C	î	£	¼	≡	⊥	■	ı	³
D	ı	Ø	ı	¢	=	ı	ÿ	²
E	Ä	Ş	“	¥	±	ı	—	■
F	Å	ş	”	ı	□	■	·	SP

11.1.10 Windows Codepage

	8	9	A	B	C	D	E	F
0	€			°	À	Ð	à	ð
1		‘	ı	±	Á	Ñ	á	ñ
2	,	’	¢	²	Â	Ò	â	ò
3	f	“	£	³	Ã	Ó	ã	ó
4	„	”	¤	´	Ä	Ô	ä	ô
5	...	•	¥	µ	Å	Ö	å	ö
6	†	—	ı	¶	Æ	Ø	æ	ø
7	‡	—	§	·	Ç	×	ç	÷
8	^	-	¨	,	È	Ø	è	ø
9	%	™	©	ı	É	Ù	é	ù
A	Š	š	ª	°	Ê	Ú	ê	ú
B	‹	›	«	»	Ë	Û	ë	û
C	Œ	œ	¬	¼	Ì	Ü	ì	ü
D			-	½	Í	Ý	í	ý
E			®	¾	Î	Þ	î	þ
F		ÿ	—	¿	Ï	ß	ï	ÿ

11.2 International Character Codes Table

	Country	23	24	40	5B	5C	5D	5E	60	7B	7C	7D	7E
0	U.S.A.	#	\$	@	[\]	^	'	{		}	~
1	France	#	\$	à	°	ç	§	^	'	é	ù	è	¨
2	Germany	#	\$	§	Ä	Ö	Ü	^	'	ä	ö	ü	β
3	U.K.	£	\$	@	[\]	^	'	{		}	~
4	Denmark1	#	\$	@	Æ	Ø	Å	^	'	æ	ø	å	~
5	Sweden	#	□	É	Ä	Ö	Å	Ü	é	ä	ö	å	ü
6	Italy	#	\$	@	°	\	é	^	ù	à	ò	è	ì
7	Spain1	Pt	\$	@	ı	Ñ	ı	^	'	¨	ñ	}	~
8	Japan	#	\$	@	[¥]	^	'	{		}	~
9	Norway	#	□	É	Æ	Ø	Å	Ü	é	æ	ø	å	ü
10	Denmark2	#	\$	É	Æ	Ø	Å	Ü	é	æ	ø	å	ü
11	Spain2	#	\$	á	ı	Ñ	ı	é	'	í	ñ	ó	ú
12	Latin America	#	\$	á	ı	Ñ	ı	é	ü	í	ñ	ó	ú
13	Korea	#	\$	@	[₩]	^	'	{		}	~

12. APPENDIX 1. PAGE MODE

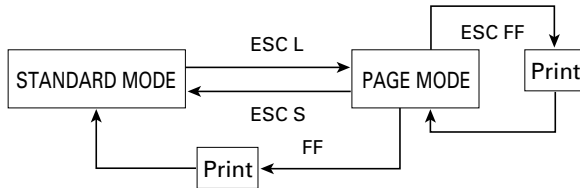
12.1. Overview

The printer has two print modes: STANDARD and PAGE.

In STANDARD MODE, the printer prints or feeds paper each time it receives a print or paper feed command. In PAGE MODE, when the printer receives print commands and/or form feed commands, it simply forwards them to the specified print area of memory. Only when an ESC FF or FF is executed, all the data mapped in the print area will then be printed in a batch.

For example, suppose you executed a print and line feed for data "ABCDEF"<LF>. In STANDARD MODE, the data "ABCDEF" is printed and paper is advanced one line. In PAGE MODE, the data "ABCDEF" is written in the specified print area of memory, and the memory location for the storage of the next print data is shifted one line.

The printer enters PAGE MODE with an ESC L, so that all commands received after that point are handled in PAGE MODE. When an ESC FF is executed, the data received until then is printed in a batch. When an FF is executed, the data received until then is printed in a batch, after which the printer returns to STANDARD MODE. An ESC S causes the printer to immediately return to STANDARD MODE; any print data, however, that has been stored in PAGE MODE is not printed. Instead it will be cleared.



[Switching Between STANDARD MODE and PAGE MODE]

Command values in STANDARD MODE and PAGE MODE:

- (1) The values set with commands are common to the STANDARD and PAGE MODES. The values set with any of the four commands listed below are, however, treated differently and stored separately for the STANDARD and PAGE MODES.
 - ESC SP, ESC 2, ESC 3
- (2) The maximum printable size of a bitmap image is 832 dots for STANDARD MODE. In PAGE MODE, the size can be extended up to 831 bits in the y direction (Paper feed direction) if 831 bits are reserved for y of the print area set by ESC W and the value of print direction "n" specified by ESC T is 1 or 3.

12.2 Mapping of print data in the print area

Print data is mapped in the print area as follows:

(1) The print area is set by ESC W. When the printer has finished all of the print and paper feed actions specified before receiving an ESC W, the ESC W sets the left end (As viewed facing the printer) as the start point (x0, y0) of the print area. The print area is a rectangle defined by two edges extending from the start point (x0, y0): one edge running in the x (Horizontal) direction by dx pitch (Inclusive of the start point), and the other running in the y (Vertical) direction by dy pitch. (If no ESC W is defined, the default values are used to define the print area.)

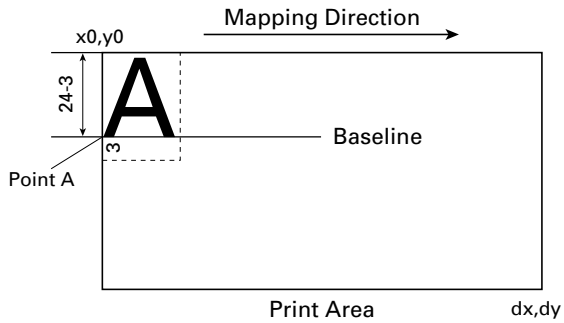
(2) With a print area defined by ESC W and a print direction specified by ESC T, when the printer receives print data, the print data is mapped in the print area where point A (See the figure "Mapping Position for Character Data") is used as the initial value of the start point. If the print data consists of characters, this start point serves as the baseline.

If the print data is a downloaded bitmap image or a bar code, the print data is mapped with its lower-left point "B" aligned to the baseline. (See the figure "Mapping Positions for Print Data".)

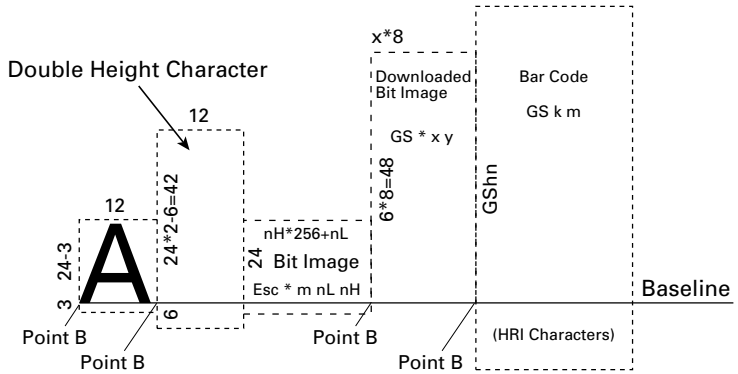
When attempting to map the HRI characters of a bar code, however, the section above the standard character height will not be printed.

(3) If print data (Or the space to the right of a character) extends beyond the print area before a command that involves a line feed (For example, LF or ESC J command) is received, a line feed is automatically executed in the print area, so that the mapping position of the print data is moved one line. The next mapping position will be the beginning of the line. In this case, the line feed width is as defined by a command such as ESC 2 or ESC 3.

(4) By default, the line feed width is 1/6 inch, which is equivalent to 34 dots. If the print data for the next line includes a vertically doubled or taller character, a downloaded bitmap image extending two or more lines, or a bar code taller than the character height, the data, therefore, falls short of the line feed width, causing the upper dots of the character to overlap the print data of the current line. The line feed width needs to be increased.



[Mapping Position for Character Data]



[Mapping Positions for Print Data]

12.2.1 Example of the Use of PAGE MODE

The following explains specific uses of PAGE MODE.

When in PAGE MODE, the commands are typically sent from the host to the printer in the following sequence:

- (1) An ESC L puts the printer in PAGE MODE.
- (2) An ESC W specifies the print area.
- (3) An ESC T specifies the print direction.
- (4) Print data is sent.
- (5) An FF instructs the printer to print the print data in a batch.
- (6) After printing, the printer returns to STANDARD MODE.

<Example 1>

```
LPRINT CHR$(&H1B) + "L";  
LPRINT CHR$(&H1B) + "W" + CHR$(0) + CHR$(0) + CHR$(0) + CHR$(0);  
LPRINT CHR$(200) + CHR$(0) + CHR$(144) + CHR$(1);  
LPRINT CHR$(&H1B) + "T" + CHR$(0);  
LPRINT "Page Mode lesson Test1";  
LPRINT CHR$(&HC);  
END
```

The program in Example 1 reserves a print area of 200×400 pitches extending from the start point (0, 0), and then prints the text "Page Mode lesson Test 1" on the first line of the print area as shown in Figure 1-1.

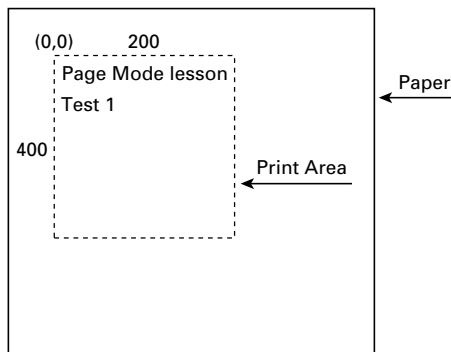


Figure 1-1

In Figure 1-1, a line feed occurs between “lesson” and “Test 1” because the space “ ” next to “lesson” dose not fit in the horizontal range of the 200 × 400-pitch print area. The line feed width conforms to the value specified by a command such as ESC 3.

It is possible to set as many print areas as desired before executing FF. If print areas overlap each other, the print area setup data are ORed with the previous data.

If you want to erase a section of mapped data, use the CAN command. The CAN command erases all data in the print area being specified. You can, therefore, use an ESC W to define a print area that encloses the section you want to erase, and then execute the CAN command, so that the section of the data is erased.

It is important to remember that any part of a character that overlaps with the specified print area will be erased.

<Example 2>

```
LPRINT CHR$(&H1B) + “L”;  
LPRINT CHR$(&H1B) + “W” + CHR$(0) + CHR$(0) + CHR$(0) + CHR$(0);  
LPRINT CHR$(200) + CHR$(0) + CHR$(144) + CHR$(1);  
LPRINT CHR$(&H1B) + “T” + CHR$(0);  
LPRINT “Page Mode lesson 2 CAN command”;  
LPRINT CHR$(&HA);  
LPRINT “ABCDEFGHIJKLMNQRSTU1234567890”;  
LPRINT CHR$(&HC);  
END
```

First, an ESC L is sent to switch to PAGE MODE (1st line). Next, an ESC W is used to send eight arguments, n1 to n8, to reserve a print area. In this example, the arguments are sent in the sequence of 0, 0, 0, 0, 200, 0, 144, and 1, to reserve a print area that measures 200 from the start point (0, 0) in the x direction and 400 in the y direction (2nd and 3rd lines). Furthermore, an ESC T is used to specify the print direction to be 0 (4th line).

After the above setup, print data is sent (5th to 7th lines). Finally, an FF is sent (8th line) to produce a printout as shown in Figure 1-2.

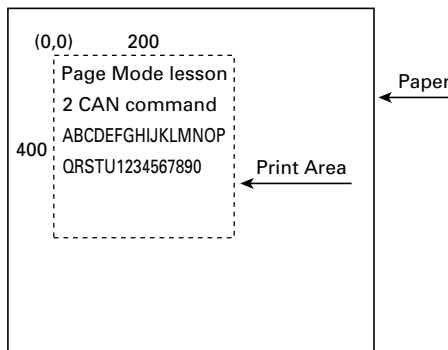


Figure 1-2

Before an FF is sent, the following program code can be added to remove part of the data.

```
LPRINT CHR$(&H1B) + "W" + CHR$((72) + CHR$(0) + CHR$(120) + CHR$(0);  
LPRINT CHR$(36) + CHR$(0) + CHR$(48) + CHR$(0);  
LPRINT CHR$(&H18);  
LPRINT CHR$(&HC);  
END
```

As a result of the additional program code, a printout is executed as shown in Figure 1-3, where the string "GHI" is removed. When strings are removed with CAN, the area where the string would have been is not used by the rest of the data, instead it is converted into a sequence of spaces.

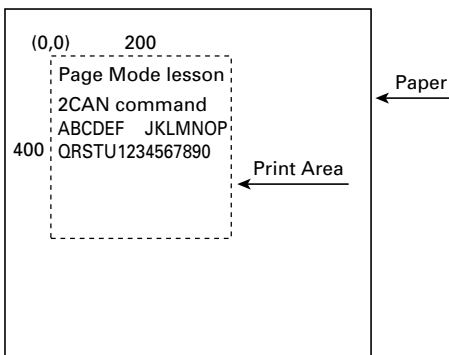


Figure 1-3

13. APPENDIX 2. BIDIRECTIONAL PARALLEL INTERFACE

13.1 Overview

The interface of the printer is a Level-1 compatible device according to IEEE-P1284. It supports the communication modes described in 13.1.1 below.

13.1.1 Parallel Interface Communication Modes

The parallel interface of the printer provides three communication modes as outlined below. When the printer is turned on or reset, it defaults to Compatibility mode.

- **Compatibility Mode**

Data is transmitted from the host to the printer in units of one byte. Usually, this mode is used for data transmission. You may switch to the other modes from Compatibility mode.

- **Nibble Mode**

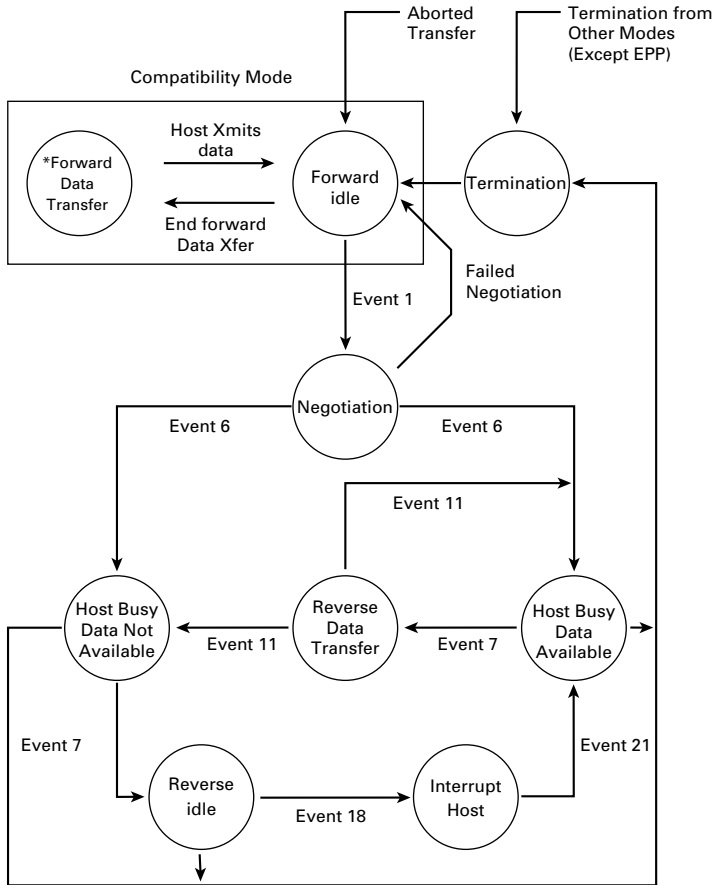
Data is transmitted from the printer to the host in units of four bits. The data transmission from the printer uses a status signal line. To send one byte of data in this mode, two sets of four-bit data are sent consecutively.

- **Byte Mode**

Data is transmitted from the printer to the host in units of one byte. Data transmission from the printer uses an 8-bit data signal line. For Byte mode, the host must be capable of toggling the signal direction over the 8-bit data signal line. Communication from the host to the printer is called Forward mode, while communication from the printer to the host is called Reverse mode.

13.1.2 Interfacing Phases

Interfacing in each communication mode is divided into several phases. In addition, there is a phase for mode initialization, as well as a phase for mode switching. Interface signals may differ in name and function for different modes and different phases.



13.2 Negotiation

13.2.1 Overview

Usually, the printer is started in Compatibility mode, which corresponds to the Centronics interface phase. When the host intends to switch to the Nibble or Byte mode, it sends a request and negotiates with the printer. A general flow of negotiations is given below.

- 1) The host sets the IEEE 1284 Active signal to High. In response, the printer moves into the Negotiation phase.
- 2) The printer replies whether it can execute the mode requested by the host.
- 3) The interface terminates the Negotiation phase and moves into the communication phase.

13.2.2 Negotiation Procedure

The negotiations proceed as follows:

- 1) In IEEE 1284 communication phase, the host and printer are in Compatibility mode by default. They remain in Compatibility mode as long as the host recognizes the connected device as an IEEE 1284 compatible device.
- 2) To start negotiations, the host sets the communication mode request bit on the data path. (Event 0)
- 3) The host sets IEEE 1284 Active (nSelectIn) to High, and HostBusy (nAutoFd) to Low. (Event 1)
- 4) The printer responds by setting PtrClk (nAck) to Low, nDataAvail (nFault) to High, Xflag (Select) to High, and AckDatReq (PError) to High. (Event 2)
- 5) The host sets HostClk (nStrobe) to Low. In response, the printer latches the data of the communication mode request bit. (Event 3)
- 6) The host sets HostClk (nStrobe) and HostBusy (nAutoFd) to High. (Event 4)
- 7) If the printer has communication data to send to the host, it sets AckDataReq (PError) to Low, nDataAvail (nFault) to Low, and Xflag (Select) to the value corresponding to the communication mode. (Event 5)
Xflag: Nibble Mode: Low,
Byte Mode: High
- 8) The printer sets PtrClk (nAck) to High to indicate that it is ready to read status lines. (Event 6)
- 9) If the printer has communication data to send to the host, the host moves into the Host Busy Available phase or Termination phase, and then returns to the Compatibility mode.
- 10) If the printer has no communication data to send to the host, the host moves into the Host Busy Data Not Available phase or Termination phase, and then returns to the Compatibility mode.
- 11) If the printer cannot support the communication mode requested by the host, it sets Xflag (Select) as follows:
When Nibble mode is requested: High
When Byte mode is requested: Low

13.2.3 Precautions

- 1) The Negotiation phase is triggered when the IEEE 1284 Active signal sent by the host becomes High.
- 2) In Compatibility mode, the time when the negotiation process begins is, as a general rule, after the host sets nStrobe to High and then the printer outputs an nAck pulse.
Once the nStrobe signal is set to High, however, the printer immediately moves into the Negotiation phase when the high state of IEEE 1284 Active is detected, even if the nAck pulse has yet to be output or is being output. In this case, if the printer has returned to Compatibility mode after Termination, no nAck pulse will be output.
- 3) Negotiations can be entered from the Busy or Error state of the Compatibility mode. In this case, the printer will not return to the Busy or Error state before the negotiations, but still remains in the printer state just after Termination.
- 4) If the host requested a communication mode that is not supported by the printer, it must move into the Termination phase and return to the Compatibility mode.

Table 2.4.1 Definitions of Request Bits in IEEE 1284 Communication Mode

Bit	Definition	Bit Values (76543210)	Hex.	Xflag	
				When supported	In the printer
7	Request Extensibility Link	10000000	80H	High	Low
6	Request EPP Mode	01000000	40H	High	Low
5	Request ECP Mode with RLE	00110000	30H	High	Low
4	Request ECP Mode	00010000	10H	High	Low
3	Reserve	00001000	08H	High	Low
2	Request Device ID: Return Data Using Nibble Mode Rev Channel Transfer	00000100	04H	High	High
	Byte Mode Rev Channel Transfer	00000101	05H	High	High
	ECP Mode Transfer without RLE	00010100	14H	High	Low
	ECP Mode Transfer with RLE	00110100	34H	High	Low
1	Reserve	00000010	02H	High	Low
0	Byte Mode Reverse Channel Transfer	00000001	01H	High	High
None	Nibble Mode Reverse Channel Transfer	00000000	00H	Low	Low
	Illegal or Contradictory Request	Other than above	Other than above	—	Low

Note: The printer only supports the Nibble and Byte modes. For a request for any other mode, Xflag is set to Low.

13.2.4 Data Communication from Printer to Host

13.2.4.1 Nibble Mode

In this mode, data is transferred between the printer and the host through the procedure described below. The steps beginning from 1) are applicable when the Negotiation phase has switched to the Host Busy Data Available phase. If the Negotiation phase has switched to the Host Busy Data Not Available phase, the procedure starts at step 9).

- 1) After the negotiations for the entry into Nibble mode are completed, the host sets HostBusy (nAutoFd) to Low to indicate that it is ready to receive data from the printer. (Event 7)
- 2) The printer places the low-order four bits on the reverse channel data line and sets PtrClk (nAck) to Low. (Events 8 and 9)
- 3) The host sets HostBusy (nAutoFd) to High to indicate that it has latched data and received the signal in event 9. (Event 10)
- 4) The printer sets PtrClk (nAck) to High. This completes transfer of the first nibble. (Event 11)
- 5) Steps 1) to 3) are repeated to transfer the high-order four bits, before proceeding to steps 6) and on.
- 6) After the host has set HostBusy (nAutoFd) to High (Event 10) and received data, the printer must set the four status lines as shown below. (Event 13)
 - PtrBusy (Busy): Returned to the status given in FORWARD MODE.
 - nDataAvail (nFault): Set to Low if there is data to be sent.
 - AckDataReq (PErrror): Set to Low if there is data to be sent.
 - Xflag (Select): Set to the current mode (i.e., set to Low).
- 7) The printer sets PtrClk (nAck) to High. (Event 11)
- 8) After event 11, the host checks the signals set by the printer in event 13. With this check the host determines:
 1. Whether there is more data to be sent from the printer to the host;
 2. And whether data can be transferred from the host to the printer.
- 9) If there is no more data to be sent from the printer after the transfer of one byte (Two nibbles), the host chooses one of three status selections:
 1. Performing Termination and returning to the Compatibility mode.
 2. Remaining in the Host Busy Data Not Available phase.
 3. Setting HostBusy (nAutoFd) to Low (Event 7) and moving to the Reverse Idle phase.
- 10) If there is more data to be received from the printer, the host chooses one of three status selections:
 1. Setting HostBusy (nAutoFd) to Low and indicating that the host is ready to receive.
 2. Remaining in the Host Busy Data Available phase.
 3. Performing Termination and returning to the Compatibility mode.
- 11) If the host selected the Host Busy Data Available phase and set HostBusy (nAutoFd) to Low, the printer repeats the steps from 2) onwards.

- 12) If the host selected the Reverse Idle phase and new data becomes available to be sent from the printer, the printer sets PtrClk to Low to request the host for an interrupt. (Event 18)
- 13) The printer sets PtrClk back to High. (Event 19)
- 14) Upon receiving a request for interrupt from the printer, the host responds by setting HostBusy (nAutoFd) to High. (Event 20)
- 15) Finally, the printer responds to the host by setting AckDataReq (PError) to Low, and then the host moves to the Host Busy Data Available phase. (Event 21)

13.2.4.2 Byte Mode

In this mode, data is transferred between the printer and the host through the procedure described below. The steps beginning from 1) are applicable when the Negotiation phase has switched to the Host Busy Data Available phase. If the Negotiation phase has switched to the Host Busy Data Not Available phase, the procedure starts at step 9).

- 1) After the negotiations for the entry into the Byte mode are complete, the host indicates that it is ready to receive data from the printer. This is indicated by switching the data bus to a high-impedance state and setting HostBusy (nAutoFd) to Low. (Events 14 and 7)
- 2) The printer places communication data on the data bus. (Event 15)
- 3) The printer sets PtrClk (nAck) to Low. (Event 9)
- 4) The host sets HostBusy (nAutoFd) to High to indicate that it has latched data and received the signal in event 9. (Event 10)
- 5) The printer must set the four status lines as shown below. (Event 13)
 - PtrBusy (Busy): Returned to the status given in the Forward mode.
 - nDataAvail (nFault): Set to Low if there is data to be sent.
 - AckDataReq (PError): Set to Low if there is data to be sent.
 - Xflag (Select): Set to the status given during the last negotiation. (i.e., set to Low)
- 6) The printer sets PtrClk (nAck) to High (Event 10) and ends the Byte handshake. (Event 11)
- 7) The host indicates that it has succeeded in receiving the data. This is indicated by setting HostClk (nStrobe) to Low (Event 16) and then to High. (Event 17)
- 8) Events 10 and 16 may occur simultaneously, and events 7 and 17 may occur simultaneously. (Such as when HostBusy and HostClk are used together.)
- 9) After transferring one byte of data, the printer signals to the host whether it has more data to transfer. When there is no more data to be received by the host from the printer, the host chooses one of three status selections:
 1. Performing Termination and returning to the Compatibility mode.
 2. Remaining in the Host Busy Data Not Available phase.
 3. Setting HostBusy (nAutoFd) to Low and moving to the Reverse Idle phase. (Event 7)

- 10) When more data is to be received from the printer, the host chooses one of three status selections:
1. Setting HostBusy (nAutoFd) to Low and indicating that the host is ready to receive.
 2. Remaining in the Host Busy Data Available phase.
 3. Performing Termination and returning to the Compatibility mode.

13.2.5 Device ID

The device ID is a character string that provides the ID, the type, and other information regarding the printer connected to the interface. When the printer receives a request for a device ID from the host, it replies with the following device ID:

```
<00> H <2E> H  
MFG : CBM ;  
CMD : ESC / POS;  
MDL : iDP3240 ;  
CLS : PRINTER ;
```

The first two bytes of the device ID indicate the length of the entire device ID (Including the first two bytes themselves). For a description of a request for a device ID, refer to the "Negotiation" section earlier in the present Appendix. When the host receives the device ID string of the length indicated by the first two bytes, it must do so consecutively, without terminating the process until the entire device ID is received. If the process is terminated halfway, the printer discards the rest of the string; when the printer receives a new request for the device ID, it sends the device ID beginning from the first character of the ID. After receiving the ID of the length indicated by the first two bytes, the host must carry out the termination even if the printer has data to send (Data Available). If the host does not carry out Termination and tries to receive data, the printer sends the printer status.

13.2.6 Termination

Termination is the process of returning to Compatibility mode from the Nibble or Byte modes. When performing Termination, the host sets the signals as follows:

- IEEE 1284 Active (nSelectIn): Low
- HostBusy (nAutoFd): High (Event 22)

There are two methods of Termination:

- (1) Termination through a handshake between the host and the printer.
- (2) Immediate termination.

- (1) Termination through a handshake between the host and the printer:
When switching from Reverse mode to Compatibility mode, this termination method can be used if the interface is activated (IEEE 1284 Active: High) and event 22 has taken place.
- 1) The printer responds to IEEE 1284 Active by setting PtrBusy (Busy) and nDataAvail (nFault) to High. (Event 23)
 - 2) The printer then inverts Xflag (Select) and sets PtrClk (nAck) to Low. (Event 24)
 - 3) The host sets HostBusy (nAutoFd) to Low. (Event 25)
 - 4) The printer returns nDataAvail (nFault), Xflag (Select), and AckDataReq (PError) to the status given in the Compatibility mode, and sets PtrClk (nAck) to High. (Events 26 and 27)
 - 5) The host sets HostBusy (nAutoFd) to High to terminate the handshake and return the interface to the Compatibility Mode Idle phase. (Event 28)
 - 6) The printer changes PtrBusy (Busy) to be able to receive data from the host.
- (2) Immediate termination:
- 1) If the interface is deactivated (IEEE 1284 Active: Low) without event 22 having taken place, the printer immediately performs Termination. In this termination, the data is not guaranteed, and the printer switches the data bus from output to input within 1 µsec.

In the Reverse Idle phase, the printer can notify the host that it has data to transfer to the host. The notification may occur simultaneously with termination in order for the host to move from the Idle phase to the Compatibility mode.

If the printer has data to send, it initiates the Interrupt phase indicated by events 8 and 9. In this case, if 1284 - Active (nSelectIn) was set to Low before HostBusy (nAutoFd) changed from High to Low, the printer interprets that the host has switched to the Termination phase, and then completes the normal termination through handshaking.

14. APPENDIX 3. IDENTIFICATION OF SEND STATUS

Because the status sent from the printer has certain fixed bits, it is possible to identify to which command the status belongs.

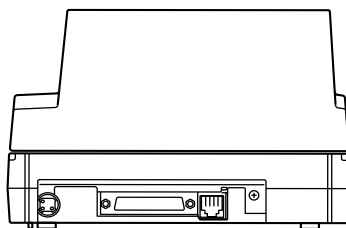
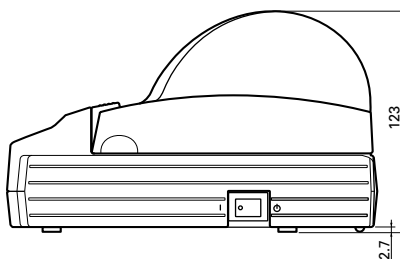
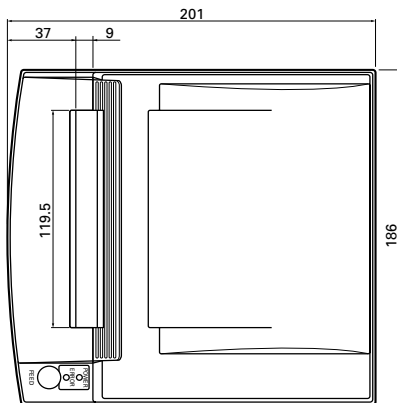
When using ASB (Automatic Status Back), however, the first byte of ASB should be checked, and then the three consecutive bytes except for XOFF should be treated as ASB data.

Identification of Send Status

Command and function	Status
GS I	<0**0***>B
GS r	<0**0***>B
XON	<00010001>B
XOFF	<00010011>B
DLE EOT	<0**1**10>B
ASB (1st byte)	<0**1**00>B
ASB (2nd - 4th bytes)	<0**0***>B

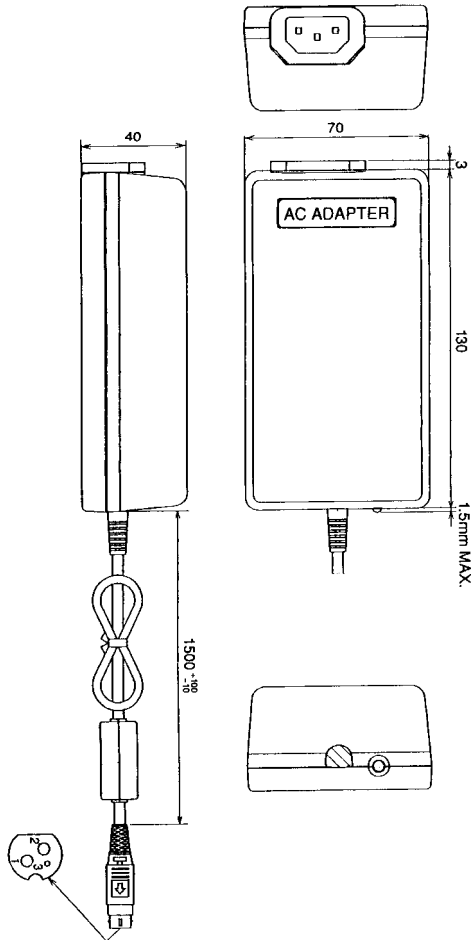
15. APPENDIX 4. OUTLINE DRAWING

15.1 iDP3240



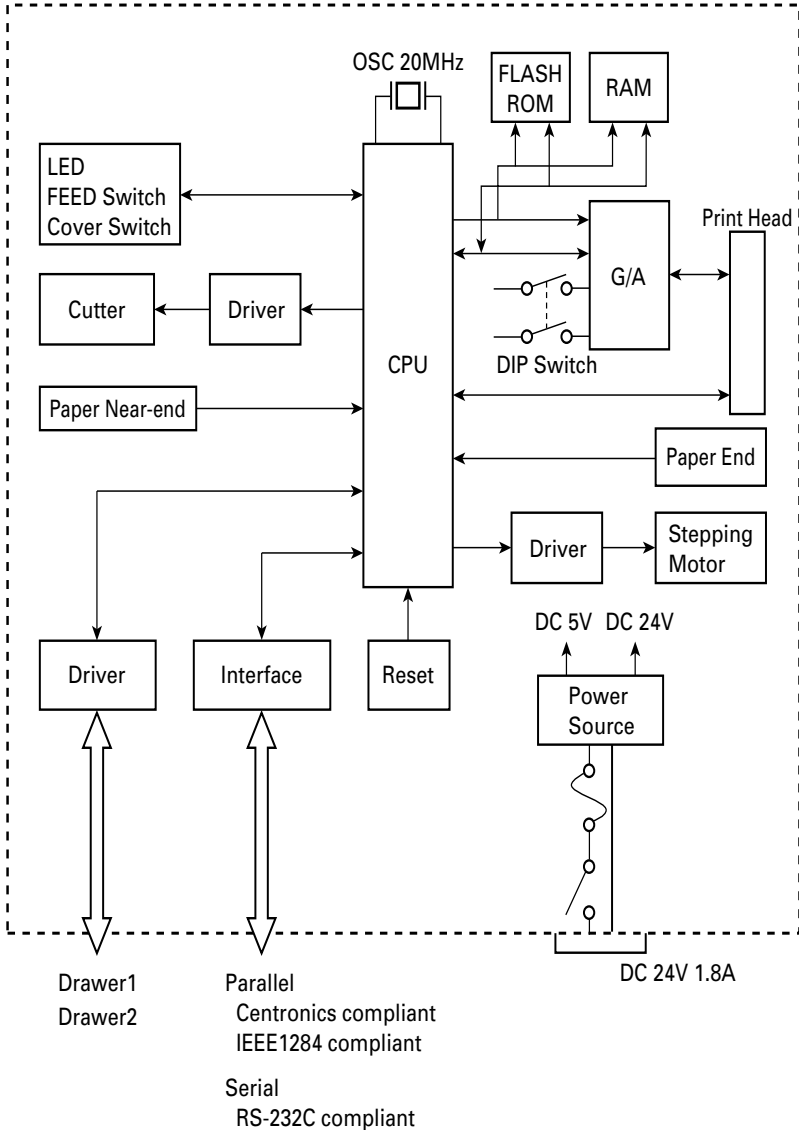
Unit : mm

15.2 AC Adapter (31AD)



Unit : mm

16. APPENDIX 5. BLOCK DIAGRAM



GERMAN

ALLGEMEINE VORSICHTSMASSNAHMEN

- Bevor Sie den Drucker iDP3240 verwenden, lesen Sie dieses Benutzerhandbuch gründlich. Bewahren Sie es griffbereit auf, so daß Sie darin gegebenenfalls nachschlagen können.
- Die in diesem Handbuch enthaltenen Informationen können ohne vorherige Ankündigung geändert werden.
- Das Benutzerhandbuch darf ohne zuvor erteilte Genehmigung weder in Auszügen noch insgesamt reproduziert werden.
- Druckerkomponenten, die nicht ausdrücklich im Handbuch beschrieben werden, dürfen nicht gewartet, demontiert oder repariert werden.
- Beachten Sie, daß CBM nicht für Schäden haftet, die auf falschen Betrieb, falsche Handhabung oder ungeeignete Betriebsumgebungen zurückzuführen sind, welche nicht im Benutzerhandbuch beschrieben werden.
- Betreiben Sie diesen Drucker nur in der im Benutzerhandbuch beschriebenen Art und Weise. Anderenfalls können Unfälle verursacht werden oder sonstige Probleme entstehen.
- Daten haben im allgemeinen temporären Charakter; sie können nicht über einen langen Zeitraum oder dauerhaft gespeichert werden. Beachten Sie bitte, daß CBM nicht für Schäden oder entgangenen Gewinn aufgrund eines Datenverlusts haftet, der auf Unfälle, Reparaturen, Tests usw. zurückzuführen ist.
- Wenn Sie Fragen oder Anmerkungen zu Schreibfehlern oder Auslassungen in bezug auf die Informationen im Benutzerhandbuch haben, setzen Sie sich mit Ihrem CBM-Händler in Verbindung.
- Beachten Sie bitte, daß CBM für Ergebnisse oder Auswirkungen nicht haftet, die sich aus dem Betrieb dieses Druckers ergeben. Eine Haftung besteht selbst dann nicht, wenn die in diesem Benutzerhandbuch beschriebenen Anweisungen ordnungsgemäß eingehalten wurden.

SICHERHEITSVORSCHRIFTEN — BITTE UNBEDINGT EINHALTEN!

In diesem Benutzerhandbuch werden spezielle Warnsymbole verwendet, um Sicherheitsrisiken für das Bedienungspersonal oder andere Personen sowie Sachschäden auszuschalten. Diese Warnsymbole machen auf wichtige Punkte aufmerksam, die unbedingt eingehalten werden müssen.

- The following describes the degrees of hazards and damages that can occur if the iDP3240 Printer is incorrectly operated without observing the instructions indicated by the warning symbols.



WARNUNG

Wenn diese Vorschriften nicht beachtet werden, die auf diesem Symbol aufgeführt werden, kann die Mißachtung der Vorschriften den Tod oder schwerwiegende Verletzungen zur Folge haben.



ACHTUNG

Wenn die Vorschriften nicht beachtet werden, die auf diesem Symbol aufgeführt werden, kann diese Mißachtung der Vorschriften Verletzungen oder Sachbeschädigungen zur Folge haben.



Dieses Symbol soll Ihre Aufmerksamkeit auf wichtige Punkte lenken.



Dieses Symbol soll Ihre Aufmerksamkeit auf nützliche Informationen, wie beispielsweise Verfahren, Anweisungen usw., lenken.



WARNUNG

- **Behandeln Sie den Drucker iDP3240 niemals in der nachstehend beschriebenen Weise. Anderenfalls kann er beschädigt werden, funktionsuntüchtig werden oder überhitzen, Rauch entwickeln, und es entsteht möglicherweise ein Brand, oder es besteht die Gefahr eines elektrischen Schlags. Sollte der Drucker beschädigt werden oder ausfallen, schalten Sie unbedingt die Stromversorgung aus, ziehen Sie den Netzstecker aus der Netzsteckdose, und setzen Sie sich mit Ihrem CBM-Händler in Verbindung.**
 - Setzen Sie den Drucker niemals heftigen Schlägen oder Stößen aus, indem Sie gegen den Drucker treten, auf ihn schlagen, ihn fallen lassen usw.
 - Stellen Sie den Drucker an einem gut belüfteten Ort auf. Stellen Sie ihn nicht so auf, daß die Lüftungsöffnungen blockiert werden.
 - Stellen Sie den Drucker nicht an Orten wie einem Laboratorium auf, in dem chemische Reaktionen zu erwarten sind, und stellen Sie ihn auch nicht an Orten auf, an denen salzhaltige Gase in der Atmosphäre vorhanden sind.
 - Betreiben Sie den Drucker nur an der vorgeschriebenen Netzspannung und Netzfrequenz.
 - Wenn Sie das Netzkabel oder Datenkabel installieren oder abtrennen, ziehen Sie nicht am Kabel selbst.
 - Ziehen oder tragen Sie den Drucker auf keinen Fall an den Kabeln, weil auf diese Weise unzulässige Kräfte auf die Kabel ausgeübt würden.
 - Lassen Sie auf keinen Fall Fremdkörper in den Drucker fallen, wie z. B. Büroklammern oder Nadeln etc.
 - Sorgen Sie dafür, daß keinerlei Flüssigkeiten in den Drucker gelangen, und sprühen Sie auch keine Flüssigkeiten, die Chemikalien enthalten, auf den Drucker. Wenn Flüssigkeit in den Drucker eingedrungen ist, schalten Sie ihn aus, ziehen Sie das Netzkabel aus der Netzsteckdose, und setzen Sie sich mit dem CBM-Händler in Verbindung.
 - Schließen Sie den Drucker nicht an eine Netzsteckdose an, die bereits andere Geräte mit Strom versorgt.
 - Demontieren Sie den Drucker nicht, und bauen Sie ihn auch nicht um. Anderenfalls kann ein Brand entstehen, oder es besteht die Gefahr eines elektrischen Schlags.
 - Sollte unbeabsichtigt Wasser in das Gerät eindringen, sofort den Netzstecker abziehen und an einen Fachhändler wenden. Der fortgesetzte Betrieb in diesem Zustand kann zu Bränden und elektrischen Schlägen führen.
 - Beschädigen Sie das Netzkabel nicht, indem Sie es brechen, verbiegen, verändern, extrem verdrehen, ziehen oder bündeln. Vermeiden Sie es auch, schwere Gegenstände auf das Netzkabel zu stellen oder es zu erhitzen. Dadurch kann das Netzkabel beschädigt werden was dann u.U. zu Bränden, elektrischen Schlägen oder Fehlfunktionen führt. Sollte das Netzkabel beschädigt worden sein, wenden Sie sich an Ihren Fachhändler.
 - Das Netzteil niemals mit nassen Händen anschließen oder trennen. Hierdurch können Brände, elektrische Schläge und sonstige Probleme entstehen.
- **Die Kunststoffhülle, in die der Drucker verpackt ist, muß ordnungsgemäß entsorgt werden. Sie darf Kindern auf keinen Fall zugänglich gemacht werden. Wenn die Kunststoffhülle über den Kopf gezogen wird, besteht Erstickengefahr.**



VORSICHTSMASSNAHMEN FÜR DIE INSTALLATION

- Betreiben und lagern Sie den Drucker iDP3240 auf keinen Fall an Orten, die Feuer, Feuchtigkeit oder direkter Sonneneinstrahlung ausgesetzt sind, oder an Orten, an denen die vorgeschriebene Betriebstemperatur und Feuchtigkeit nicht eingehalten werden, oder an Orten, die Ölnebel, Eisenpulver oder Staub ausgesetzt sind. Andernfalls der Drucker beschädigt werden, Rauch absondern oder Feuer fangen.
- Stellen Sie den Drucker nicht an Orten wie einem Laboratorium auf, in dem chemische Reaktionen zu erwarten sind, und stellen Sie ihn auch nicht an Orten auf, an denen salzhaltige Gase in der Atmosphäre vorhanden sind. Andernfalls kann ein Brand entstehen, oder es besteht die Gefahr eines elektrischen Schlags.
- Installieren Sie den Drucker auf einem ebenen und stabilen Tisch an einem gut belüfteten Ort auf, der keinen Schwingungen ausgesetzt ist (achten Sie darauf, die Lüftungsöffnungen des Druckers nicht zu blockieren.)
- Stellen Sie keine Gegenstände auf den Drucker. Andernfalls entstehen dadurch möglicherweise Probleme.
- Betreiben Sie den Drucker nicht in der Nähe eines Radios oder Fernsehgeräts. Schließen Sie den Drucker nicht zusammen mit einem Radio oder Fernsehgerät an dieselbe Steckdose an, weil auf diese Weise der Empfang gestört werden kann.
- Betreiben Sie den Drucker nur an der vorgeschriebenen Netzspannung und Netzfrequenz. Andernfalls kann der Drucker Rauch absondern, oder es können andere Probleme entstehen.
- Überzeugen Sie sich, daß die Netzsteckdose, an die der Drucker angeschlossen ist, ausreichend Strom liefern kann.
- Schließen Sie nicht mehrere Geräte an eine einzelne Steckdose an. Andernfalls reicht die Stromversorgung möglicherweise nicht aus, so daß die Steckdose dadurch zu heiß wird oder die Stromversorgung unterbrochen wird. Achten Sie ebenfalls darauf, nicht auf die Druckerkabel zu treten, und stellen Sie auch keine Gegenstände auf diese Kabel.
- Schließen Sie das Erdungskabel auf keinen Fall an eine Gasleitung an, weil in diesem Fall Explosionsgefahr bestehen würde. Bevor Sie das Erdungskabel anschließen oder abtrennen, achten Sie darauf, daß zuvor das Netzkabel aus der Netzsteckdose gezogen wird.
- Schalten Sie die Stromversorgung des Druckers und des Computers aus, bevor Sie Kabel anschließen oder abtrennen. Halten Sie beim Anschließen oder Abtrennen stets Stecker und Kabel. Ziehen oder tragen Sie den Drucker auf keinen Fall an den Kabeln, weil auf diese Weise unzulässige Kräfte auf die Kabel ausgeübt werden.
- Schließen Sie die Anschlußkabel richtig und fest an. Wenn ein Anschluß mit vertauschter Polarität hergestellt wird, werden Komponenten im Drucker oder der angeschlossene Computer möglicherweise beschädigt.
- Verwenden Sie abgeschirmte Leiter oder verdrehte Doppelleiter als Signalleitungen, um Rauscheffekte zu minimieren. Schließen Sie kein Gerät an, das wahrscheinlich viel Rauschen erzeugt.
- Wenn ein Drawer Kic-Anschluß vorgesehen ist, schließen Sie ihn ausschließlich an ein Solenoid an, das über die entsprechenden technischen Daten verfügt. Andernfalls könnten Probleme entstehen.
- Stellen Sie den Drucker an einem Ort auf, an dem sich eine geeignete Wandsteckdose in der Nähe befindet, so daß Sie den Netzstecker sofort abziehen können, um die Stromversorgung zum Drucker sofort zu unterbrechen, sofern ungewöhnliche Bedingungen entstehen.
- Wenn das Gerät über einen längeren Zeitraum nicht verwendet wird, ziehen Sie den Netzstecker.
- Wenn das Gerät transportiert wird, nehmen Sie die Papierrolle aus dem Gerät.



VORSICHTSMASSNAHMEN FÜR DIE HANDHABUNG

Beachten Sie die folgenden Vorsichtsmaßnahmen, um den Drucker iDP3240 richtig zu betreiben und um zu verhindern, daß Probleme auftreten.

- Verwenden Sie ausschließlich das vorgeschriebene Netzteil.
- Achten Sie darauf, daß der Drucker nicht druckt, wenn kein Papier eingelegt ist.
- Lassen Sie keine Fremdkörper, wie z. B. Büroklammern, Nadeln oder Schrauben, in den Drucker fallen.
- Verschütten Sie keine Flüssigkeit auf dem Drucker, und sprühen Sie keine Flüssigkeit, die Chemikalien enthält, auf den Drucker.
- Treten Sie nicht gegen den Drucker, schlagen Sie nicht auf den Drucker, und lassen Sie keine anderen Stöße auf den Drucker einwirken.
- Verwenden Sie keine spitzen Gegenstände, wie beispielsweise einen Kugelschreiber, um die Bedienungselemente des Bedienungsfeldes zu betätigen.
- Kleben Sie einzelne Seiten nicht mit Klebestreifen zusammen, um einen Endlosdruck zu ermöglichen.
- Ziehen Sie niemals das Papier, das in den Drucker eingelegt ist, bei geschlossener Abdeckung mit Gewalt heraus.
- Wenn Sie die Abdeckung öffnen/ schließen, achten Sie darauf, daß sich das Papier nicht verfängt.

Achten Sie zur Verhütung von Verletzungen und Beschädigungen auf folgendes:

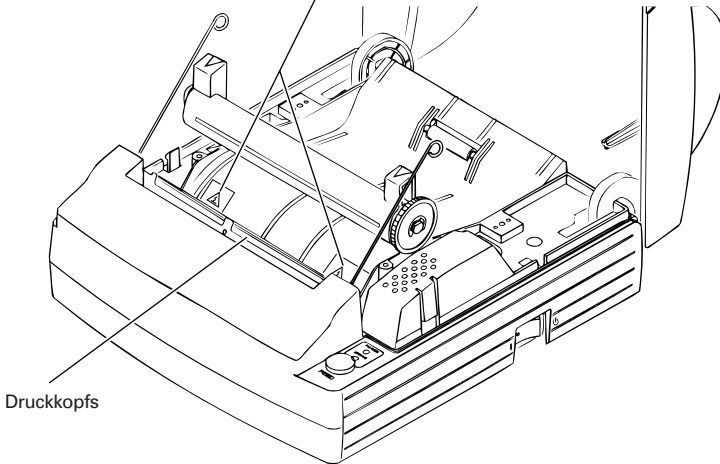
- Berühren Sie nicht die Druckseite des Druckkopfes.
- Berühren Sie niemals bewegliche Teile im Innern des Druckers, wie beispielsweise Papierschneider, Zahnräder und elektrische Komponenten, solange der Drucker eingeschaltet ist.
- Achten Sie darauf, daß Sie sich keine Verletzungen an den Kanten der Blechkomponenten zuziehen oder andere Gegenstände daran beschädigen.
- Sollten ungewöhnliche Zustände während des Druckerbetriebs eintreten, stoppen Sie den Drucker sofort, und ziehen Sie den Netzstecker aus der Netzsteckdose.
- Beim Öffnen/ Schließen der Druckerabdeckung darauf achten, nicht die Hand oder Finger am Drucker einzuklemmen.
- Überlassen Sie alle erforderlichen Reparaturen Ihrem CBM-Händler (Siehe 9 "WARTUNG UND KUNDENDIENST" Seite 210.) Versuchen Sie auf keinen Fall, den Drucker eigenständig zu demontieren und zu reparieren.



Nachstehend wird ein Warnschild des Druckers beschrieben, das Sie auf eine potentielle Gefahr aufmerksam machen soll. Lesen Sie den Warnhinweis auf diesem Schild, und verhalten Sie sich im Umgang mit dem Drucker entsprechend.



Dieses Etikett warnt Sie davor, daß der Druckkopf HEISS wird. Sie können sich Verbrennungen zuziehen, wenn Sie ihn berühren.



Druckkopfs



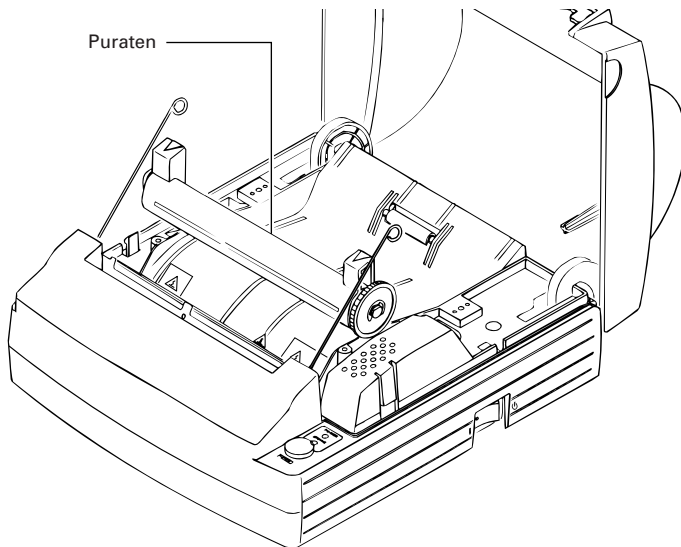
HEISSER BEREICH:

Berühren Sie den Druckkopf nicht, um Verbrennungen zu vermeiden, da er HEISS wird.



TÄGLICHE WARTUNGSARBEITEN

- Schalten Sie den Drucker unbedingt aus, bevor Sie Wartungsarbeiten durchführen.
- Wenn Sie die Walze reinigen, verwenden Sie einen in Ethylalkohol getränkten Wattebausch, um Flecken abzuwischen.



ACHTUNG:

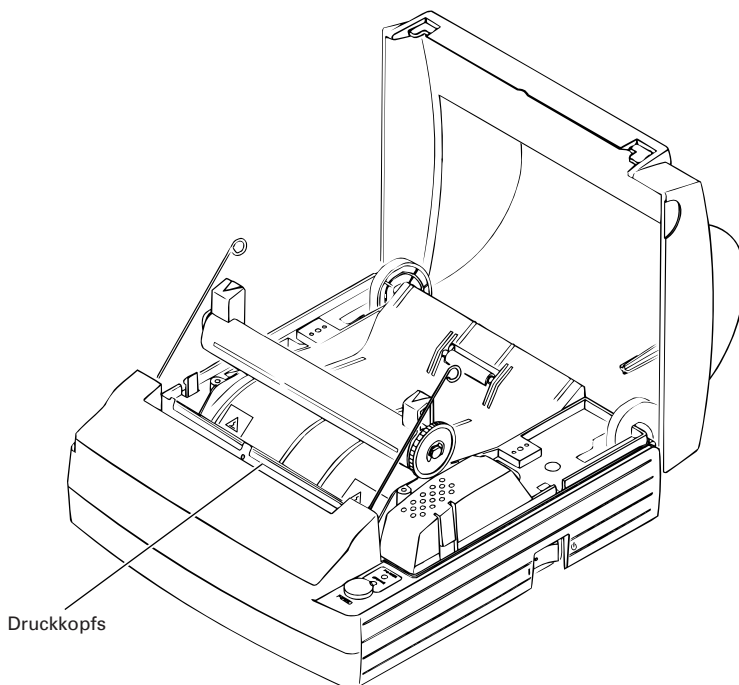
Vermeiden Sie es, den Druckkopf zu reinigen, wenn gerade ein Druckvorgang beendet worden ist. Der Druckkopf ist HEISS.

- Verwenden Sie ein trockenes weiches Tuch, um Flecken und Staub vom Druckergehäuse abzuwischen.
- Wenn Sie stark verschmutzte Bereiche säubern, verwenden Sie ein Tuch, das in Wasser getaucht und anschließend gut ausgewrungen wurde. Verwenden Sie niemals organische Lösungsmittel, wie beispielsweise Alkohol, Verdünner, Trichlorethylen, Benzol, Keton, oder chemische Entstaubungsmittel.
- Wenn der Drucker mit Papierstaub verschmutzt ist, verwenden Sie eine weiche Bürste, um ihn zu reinigen.

TÄGLICHE WARTUNGSARBEITEN

Reinigen des Druckkopfs

- 1 Schalten Sie die Stromversorgung des Druckers aus.
- 2 Bauen Sie die Papierwalze aus. Weitere Informationen finden Sie in Abschnitt "4.6 Beseitigen von Papierstaus".
- 3 Verwenden Sie Gaze, die mit etwas Alkohol benetzt ist, um Flecken und Staub auf der Seite des Druckkopfes abzuwischen, die Wärme abstrahlt.
- 4 Setzen Sie die Papierwalze wieder ein.



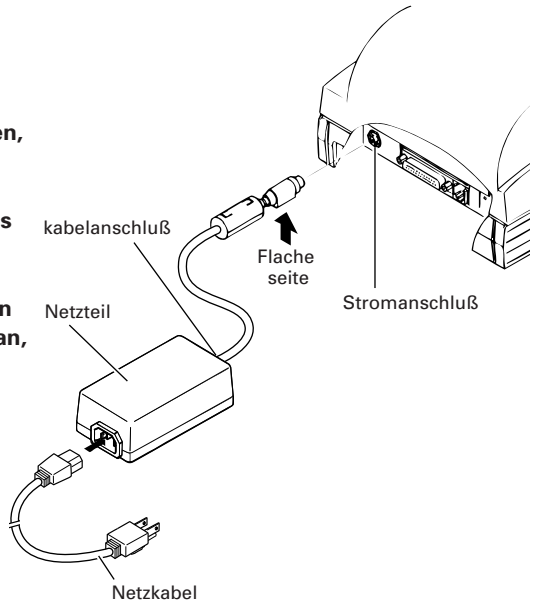
ACHTUNG:

Vermeiden Sie es, den Druckkopf zu reinigen, wenn gerade ein Druckvorgang beendet worden ist. Der Druckkopf ist **HEISS**. Berühren Sie die Seite des Druckkopfes, die Wärme abstrahlt, nicht mit bloßen Händen oder mit Metallgegenständen.

4. BETRIEB

4.1 Anschließen des Netzteils und Netzkabels

- 1** Schalten Sie die Stromversorgung des Druckers aus.
- 2** Drehen Sie die flache Seite des Netzteilkabelanschlusses nach oben, und stecken Sie den Netzkabelanschluß in den Netzanschluß auf der Rückseite des Druckers.
- 3** Schließen Sie das Netzkabel an den Druckereingang oder das Netzteil an, und stecken Sie den Netzkabelstecker in eine geeignete Wandsteckdose.

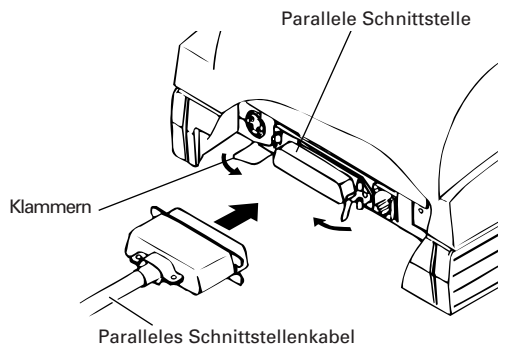
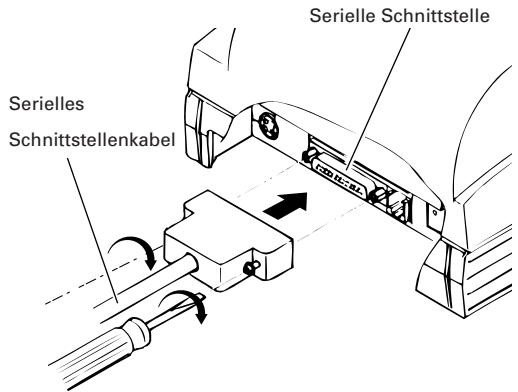


ACHTUNG :

- Verwenden Sie ausschließlich das vorgeschriebene Netzteil.
- Wenn Sie den Netzkabelanschluß des Netzteils anschließen oder abtrennen, ziehen Sie immer am Stecker und nicht am Kabel.
- Für das Netzteil sollte eine Wandsteckdose verwendet werden, an die keine Geräte angeschlossen sind, von denen Rauschstörungen ausgehen. Vermeiden Sie es, am Netzkabel zu ziehen, weil das Kabel beschädigt werden kann.
- Ziehen Sie nicht am Adapterkabel. Anderenfalls wird das Kabel möglicherweise beschädigt, oder es verursacht einen Brand oder einen elektrischen Schlag.
- Wenn Sie Donner in der Nähe hören, ziehen Sie das Netzkabel aus der Netzsteckdose, damit der Drucker nicht verwendet werden kann. Anderenfalls kann ein Blitz einen Brand oder elektrischen Schlag verursachen.
- Verlegen Sie das Netzkabel nie in der Nähe einer Heizung, weil dadurch die Kabelummantelung schmelzen kann, so daß wiederum Brandgefahr oder die Gefahr eines elektrischen Schlags besteht.
- Wenn Sie den Drucker über einen längeren Zeitraum nicht verwenden, ziehen Sie das Netzkabel aus Sicherheitsgründen aus der Netzsteckdose.

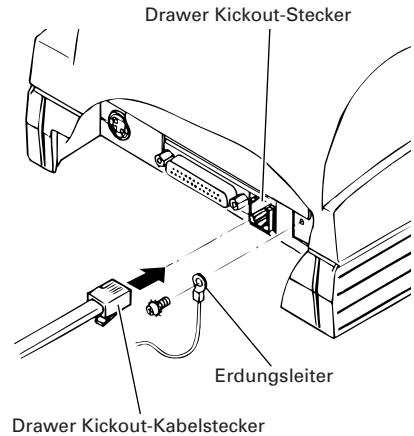
4.2 Anschließen der Schnittstellenkabel

- 1** Schalten Sie die Stromversorgung des Druckers (Und die Stromversorgung des angeschlossenen Computers) aus.
- 2** Richten Sie das Schnittstellenkabel richtig aus, und schließen Sie es an die entsprechende Schnittstelle an.
- 3** Sichern Sie das Kabel gemäß der Darstellung weiter unten.
Seriellles Schnittstellenkabel:
Befestigen Sie den Stecker mit Schrauben.
Paralleles Schnittstellenkabel:
Befestigen Sie den Stecker mit den Klammern.
- 4** Schließen Sie das andere Ende des Schnittstellenkabels an den Computer an.



4.3 Anschließen des Drawer Kickout-Steckers

- 1** Schalten Sie die Stromversorgung des Druckers aus.
- 2** Richten Sie den Drawer Kickout-Kabelstecker richtig aus, und stecken Sie ihn in den Drawer Kickout-Stecker auf der Rückseite des Druckers.
- 3** Befestigen Sie den Erdungsleiter an der Erdungsklemme am Drucker mit einer Schraube.



ACHTUNG:

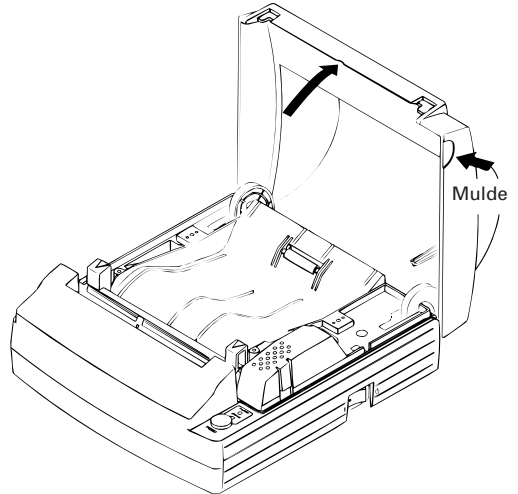
- Schließen Sie nur den vorgeschriebenen Drawer (Solenoid) an den Drawer Kickout-Stecker an. (Schließen Sie auch keine Telefonleitung an.)

4.4 Einlegen / Auswechseln von Papierrollen

4.4.1 Einlegen von Papierrollen

1 Schalten Sie den Drucker ein.

2 Legen Sie Ihre Hände in die Mulden auf beiden Seiten der Druckerabdeckung, und heben Sie die Abdeckung bis zum Anschlag an.



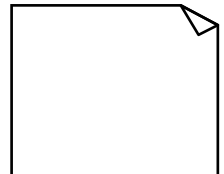
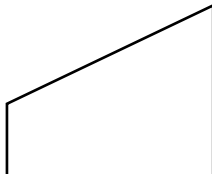
3 Schneiden Sie das Ende der Papierrolle im rechten Winkel und in gerader Linie ab.

Gut

Schlecht

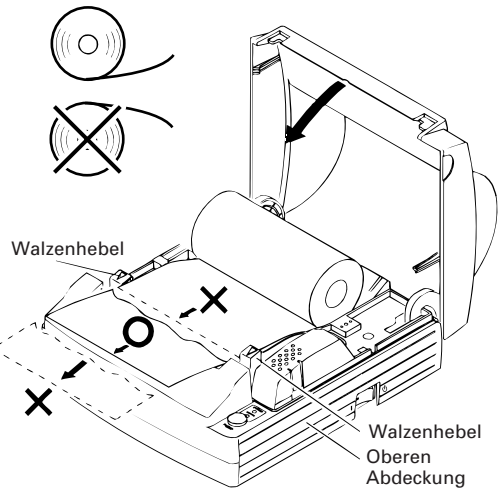
Schlecht

Schlecht

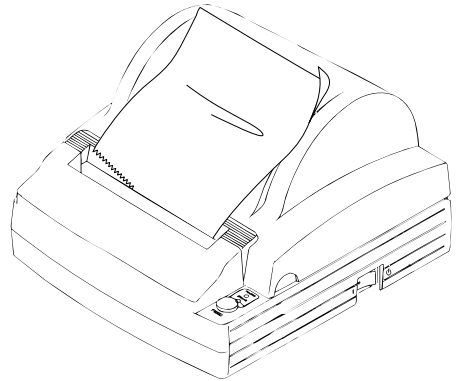


4 Überprüfen Sie die Wickelrichtung der Papierrolle, und legen Sie sie richtig in den Papierrollenhalter der oberen Abdeckung.

5 Wenn sich die Papierrolle zwischen den Walzenhebeln auf beiden Seiten des Druckers befindet, ziehen Sie das Papierende bis zum Ende der oberen Abdeckung heraus, und schließen Sie anschließend die Druckerabdeckung. Die Papierwalze ist so eingelegt, daß das Papier automatisch über den Papierausgabeschlitz herausgeführt wird.



6 Schneiden Sie den Teil des Papiers ab, der aus dem Drucker herausragt. Verwenden Sie hierzu die Abreißschiene am automatischen Papierschneider.



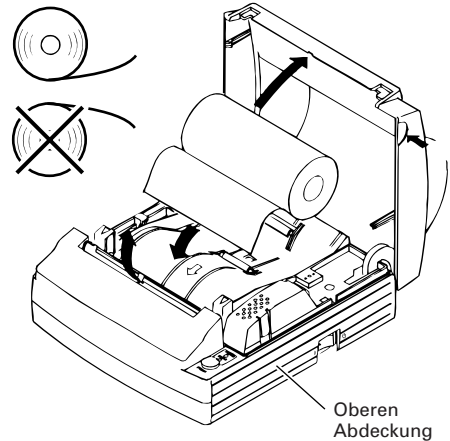


ACHTUNG :

- Verwenden Sie stets den vorgeschriebenen Papierrollentyp.
- Wenn andere Papierrollentypen verwendet werden, kann die angegebene Druckqualität möglicherweise nicht erzielt oder die Lebensdauer des Druckers reduziert werden.
- Ziehen Sie das Ende der Papierrolle bis zum Ende der oberen Abdeckung heraus. Das Papierende sollte genau mit dem Ende der oberen Abdeckung abschließen.
- Wenn die Papierrolle eingelegt ist, wird das Papier manchmal umgeschlagen herausgeführt.
- Wenn die Papierrolle schief eingelegt wurde, ziehen Sie die Walzenhebel, um die Position der Papierrolle zu justieren.
- Öffnen Sie während des Drucks nicht die Druckerabdeckung.
- Wenn das Papier nicht über den Papierausgabeschlitz herausgeführt wird, vergewissern Sie sich, daß das Papierende richtig abgeschnitten wurde, und setzen Sie die Papierrolle wieder ein. Es ist ebenfalls möglich, daß die Papierwalze mit Papirrückständen bedeckt ist, wenn der Drucker über einen längeren Zeitraum benutzt wurde. Diese Papirrückstände können verhindern, daß das Papier über den Ausgabeschlitz herausgeführt wird. Sollte dieser Fall eintreten, verwenden Sie ein weiches Tuch, das mit Ethylalkohol benetzt wurde, um die Papirrückstände von der Oberfläche der Papierwalze abzuwischen.
- Wenn das Papier nicht über den Papierausgabeschlitz herausgeführt wird, können Sie folgendes Verfahren durchführen, um die Papierrolle einzulegen:
 1. Führen Sie das Ende der Papierrolle gerade zwischen Papierwalze und Kopf ein, und drücken Sie anschließend die Taste FEED. Das Papier wird von der Papierwalze eingezogen und in den automatischen Papierschneider geführt. (Das Papierende schaut soeben aus dem Papierausgabeschlitz des Papierschneiders heraus.)
 2. Nachdem die Druckerabdeckung geschlossen wurde, wird das Papier um ein paar Zeilen vorgeschoben und anschließend automatisch abgeschnitten. Der Drucker ist jetzt druckbereit. Entfernen Sie das abgeschnittene Papierende.

4.4.2 Einlegen von Papierrollen bei deaktiviertem einfachen Ladevorgang ("5.2"DS1-3 ON)

- 1** Führen Sie die Schritte 1 bis 4 aus Kapitel "4.4.1 Einlegen von Papierrollen" durch.
- 2** Führen Sie das Ende der Papierrolle gerade zwischen Papierwalze und Kopf ein.
- 3** Das Papier wird von der Papierwalze eingezogen und in den automatischen Papierschneider geführt. (Das Papierende schaut soeben aus dem Papierausgabeschlitz des Papierschneiders heraus.)
- 4** Nachdem die Druckerabdeckung geschlossen wurde, wird das Papier um ein paar Zeilen vorgeschoben und anschließend automatisch geschnitten. Der Drucker ist jetzt druckbereit. Entfernen Sie das abgeschnittene Papierende.

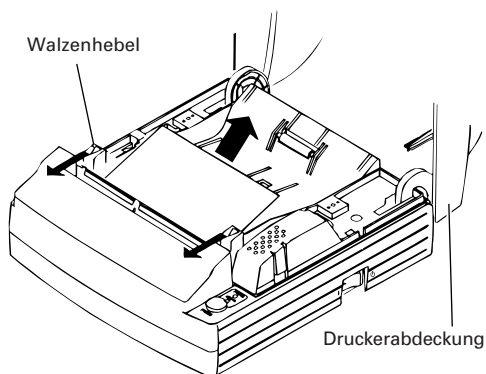


ACHTUNG:

- Verwenden Sie stets den vorgeschriebenen Papierrollentyp.
- Wenn andere Papierrollentypen verwendet werden, kann die angegebene Druckqualität möglicherweise nicht erzielt oder die Lebensdauer des Druckers reduziert werden.
- Wenn das Papier nicht gespannt ist, drehen Sie das Papier geringfügig zurück, um es zu spannen. Wenn das Papier zu wenig Spannung aufweist, ist es möglicherweise zu weit vom Papiersensor entfernt, so daß wahrscheinlich Punkt 3 und 4 des Abschnitts "4.4.2 Einlegen von Papierrollen bei deaktiviertem einfachen Ladevorgang" eintreten.
- Wenn die Papierrolle schief eingelegt wurde, ziehen Sie die Walzenhebel, um die Position der Papierrolle zu justieren.
- Öffnen Sie während des Drucks nicht die Druckerabdeckung.

4.5 Entfernen von Papierrollenresten

- 1 Öffnen Sie die Druckerabdeckung.
- 2 Ziehen Sie beide Walzenhebel in Pfeilrichtung, um die Papierwalze vom Kopf anzuheben, und ziehen Sie die Papierwalze anschließend heraus.

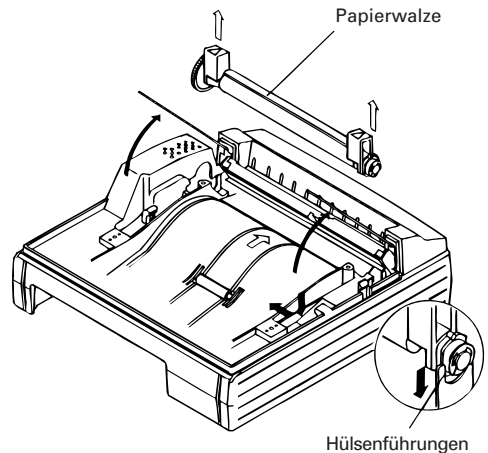
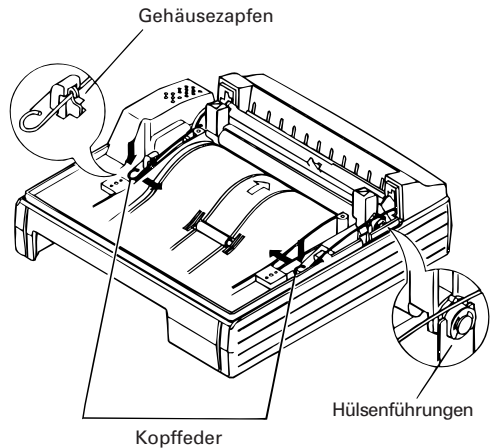


ACHTUNG:

Bevor Sie die Papierrolle (in beiden Richtungen) herausnehmen können, müssen Sie die Walzenhebel ziehen.

4.6 Beseitigen von Papierstaus

- 1** Schalten Sie die Stromversorgung des Druckers aus.
- 2** Öffnen Sie die Druckerabdeckung.
- 3** Schneiden Sie das Papier in der Nähe des Papierladeschlitzes.
- 4** Verschieben Sie die Kopffedern auf beiden Seiten in Richtung der Pfeile, um sie von den Gehäusezapfen zu lösen, und heben Sie sie anschließend an.
- 5** Halten und heben Sie die Walzenhebel an. Anschließend kann die Papierwalze herausgehoben werden.
- 6** Beseitigen Sie alle Papierreste im Papierweg.
- 7** Halten Sie die Papierwalze in der richtigen Ausrichtung, installieren Sie sie im Drucker, so daß sich die Hülsen in den Hülsenführungen des Gehäuses befinden.
- 8** Drücken Sie leicht auf die Papierwalze, damit die Kopffedern abgesenkt werden, um sie in die Gehäusezapfen einzuhaken.

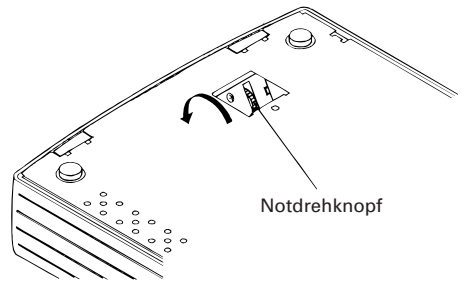


ACHTUNG:

- Führen Sie sofort im Anschluß an einen Druckvorgang auf keinen Fall Arbeiten im Innern des Druckers durch, weil der Kopf und Motor sehr heiß sind.
- Verschieben Sie die Kopffedern nicht über ihren eigentlichen Aktionsradius hinaus.
- Wenn Sie Papierreste entfernen, berühren Sie die erhitzte Oberfläche des Kopfs auf keinen Fall mit bloßen Händen oder mit einem metallischen Gegenstand.
- Nachdem Sie die Papierwalze eingesetzt haben, vergewissern Sie sich, daß sie richtig justiert wurde.
- Bevor Sie die Papierwalze herausnehmen, muß die Stromversorgung ausgeschaltet werden.

4.7 Freigeben eines verriegelten Papierschneiders

- 1** Beseitigen Sie alle Papierreste im Papierweg, und führen Sie hierzu das Verfahren durch, das in Abschnitt "4.6 Beseitigen von Papierstaus" beschrieben wird.
- 2** Schalten Sie die Stromversorgung des Druckers ein. Der automatische Papierschneider wird initialisiert, und die Klinge wird in die normale Position zurückgefahren. Die Alarmbedingung wird ebenfalls gelöscht.
- 3** Sollte in Schritt 2 die Klinge des Papierschneiders nicht zurückgefahren und der Alarm nicht gelöscht werden, schalten Sie den Drucker aus. Verwenden Sie eine Zange oder einen Schraubendreher, und drehen Sie den Notdrehknopf, der sich in der Aussparung auf der Unterseite des Druckers befindet, in die angezeigte Richtung, um die Klinge zurückzufahren.
- 4** Verwenden Sie eine Zange, um Papierreste zu entfernen, die sich in der Nähe der Klinge angesammelt haben.



ACHTUNG:

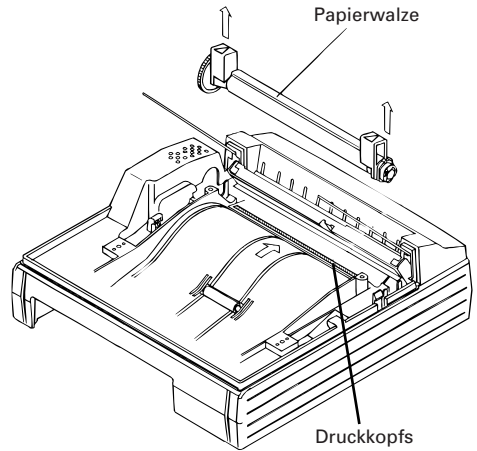
- Führen Sie sofort im Anschluß an einen Druckvorgang auf keinen Fall Arbeiten im Innern des Druckers durch, weil der Kopf und Motor sehr heiß sind.
- Wenn Sie Papierreste entfernen, berühren Sie die erhitzte Oberfläche des Kopfs auf keinen Fall mit bloßen Händen oder mit einem metallischen Gegenstand.
- Mit Hilfe des DIP-Schalters können Sie den Papierschneider entweder aktivieren oder deaktivieren. Wenn Sie den Drucker mit deaktiviertem Papierschneider verwenden, vergewissern Sie sich, daß die Klinge vollständig zurückgefahren wurde. Wenn die Klinge nicht zurückgefahren wurde, führen Sie das oben beschriebene Verfahren durch, um die Klinge zurückzufahren.

4.8 Reinigen des Druckkopfes

1 Nehmen Sie die Papierwalze heraus, und führen Sie hierzu das Verfahren durch, das in Abschnitt "4.6 Beseitigen von Papierstaus" beschrieben wird.

2 Wischen Sie Schmutz, wie beispielsweise Staub und ähnliches, vom Heizelement des Kopfes mit Hilfe eines Wattebausches ab, der mit Ethylalkohol getränkt ist.

3 Setzen Sie die Papierwalze wieder ein.



ACHTUNG:

- Berühren Sie den Druckkopf nicht, um Verbrennungen zu vermeiden, da er **HEISS** wird.
- Führen Sie sofort im Anschluß an einen Druckvorgang auf keinen Fall Arbeiten im Innern des Druckers durch, weil der Kopf und Motor sehr heiß sind.
- Bevor Sie die Papierwalze herausnehmen, muß die Stromversorgung ausgeschaltet werden.


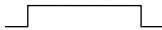




4.9 Bedienungsfeld und Fehleranzeige

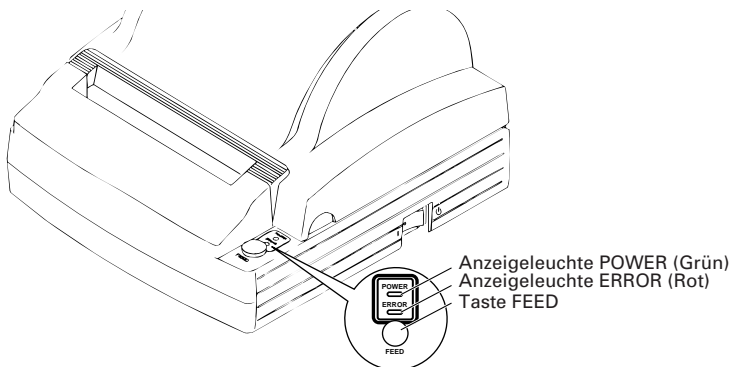
Anzeigeleuchte POWER (Grün)

Diese Anzeigeleuchte leuchtet bei eingeschalteter Stromversorgung. Sie blinkt, wenn ein Speicherfehler aufgetreten ist.

Anzeigeleuchte ERROR (Rot)

Diese Anzeigeleuchte leuchtet oder blinkt, um unterschiedliche Fehlerzustände anzuzeigen.

Fehleranzeige	POWER LED	ERROR LED	Fehlerbehebungsverfahren
Speicherprüffehler	 (Blinkt schnell)	Leuchtet	Nicht behebbar.
Abdeckung geöffnet	Leuchtet	Leuchtet	Schließen Sie die Abdeckung.
Überhitzung des Kopfes	Leuchtet	 (Blinkt langsam 1.5 Sekunde)	Automatische Fehlerbehebung, wenn die Temperatur auf Normalwert zurückgegangen ist.
Papierende fast erreicht	Leuchtet	Leuchtet	Legen Sie eine neue Papierrolle ein.
Papierende	Leuchtet	Leuchtet	Legen Sie eine neue Papierrolle ein.
Motorblockierung des Papierschneiders	Leuchtet	 (Blinkt schnell und langsam)	Beseitigen Sie den Papierstau.
Warten auf Makroausführung	Leuchtet	 (Blinkt langsam)	Drücken Sie die Taste FEED.
Tiefelektrische-potentialfehler	Leuchtet	 (Blinkt schnell und langsam)	Nicht behebbar.
Hochelektrische-potentialfehler	Leuchtet	 (Blinkt schnell und langsam)	Nicht behebbar.



Fehlerbeschreibung

- Abdeckung geöffnet: Wenn Sie die Druckerabdeckung öffnen, wird der Abdeckungssensor aktiviert. Dieser schaltet die LED ERROR ein und unterbricht den Druckvorgang. Wenn Sie jedoch den DIP-Schalter richtig setzen, kann das Papier auch bei geöffneter Abdeckung zugeführt werden.
- Überhitzung des Kopfes: Um den Druckkopf vor Überhitzung zu schützen, wird der Sensor für die Druckkopftemperatur aktiviert, wenn die Temperatur des Druckkopfes über ca. 65°C ansteigt. Die LED ERROR blinkt, und der Druckvorgang wird gestoppt. Der Druckvorgang wird wiederaufgenommen, wenn die Temperatur des Druckkopfes unter etwa 60°C sinkt.
- Papierende fast erreicht: Wenn der Durchmesser der Papierrolle einen bestimmten Wert unterschreitet, wird der Papierendesensor aktiviert, der sich auf einer Seite der Walze der oberen Abdeckung befindet. Die Anzeigelampe ERROR wird eingeschaltet, um anzuzeigen, daß der Papiervorrat bald erschöpft sein wird. (Weitere Informationen finden Sie unter "Selecting the Paper Near-end Sensor valid for a paper end signal output" und "Selecting the Paper Near-end Sensor valid for print stop" in der 10 "PRINT CONTROL FUNCTIONS".)
- Papierende: Wenn die Papierrolle aufgebraucht ist, erkennt der Sensor, der in der Nähe des Druckkopfes über dem Papierweg angebracht ist, das Ende der Papierrolle. Anschließend wird die LED ERROR eingeschaltet, und der Druckvorgang wird gestoppt. (Weitere Informationen finden Sie unter "Selecting the Paper Near-end Sensor valid for a paper end signal output" und "Selecting the Paper Near-end Sensor valid for print stop" in der 10 "PRINT CONTROL FUNCTIONS".)
- Motorblockierung des Papierschneiders: Wenn der Sensor, der die Position des Papierschneiders innerhalb der Schneideeinheit erkennt, etwa 1 Sekunden oder länger AKTIVIERT oder DEAKTIVIERT bleibt, entscheidet der Drucker, daß der Motor blockiert ist. Daraufhin werden der Papierschneider und der Druckvorgang gestoppt. (Weitere Informationen finden Sie unter 4.7 "Freigeben eines verriegelten Papierschneiders".)
- Tiefelektrischepotentialfehler: Tritt auf, wenn die im Drucker vorliegende Spannung abnimmt. Wenn dieser Fall eintreten sollte, schalten Sie die Stromversorgung unverzüglich aus.
- Hochelektrischepotentialfehler: Tritt auf, wenn die im Drucker vorliegende Spannung zunimmt. Wenn dieser Fall eintreten sollte, schalten Sie die Stromversorgung unverzüglich aus.

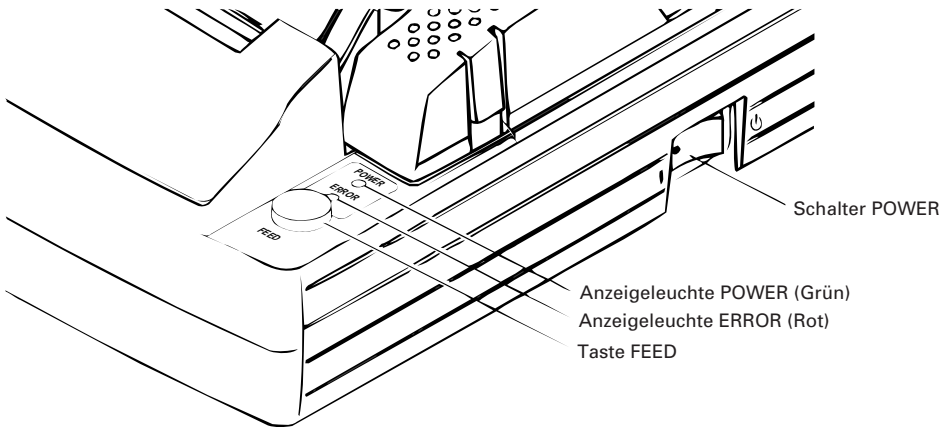
Taste FEED

- Wenn Sie diese Taste einmal kurz drücken, wird das Papier um eine Zeile vorgeschoben. Wenn Sie die Taste länger drücken, wird das Papier kontinuierlich vorgeschoben.
- Wenn der Schalter gedrückt wird, während der Drucker auf die Ausführung eines Makros wartet, wird der Makro ausgeführt.

4.10 Drucktest

Durchführen des Drucktests

Wenn Sie den Schalter POWER drücken, während Sie die Taste FEED gedrückt halten, wird der Eigendrucktest ausgeführt.



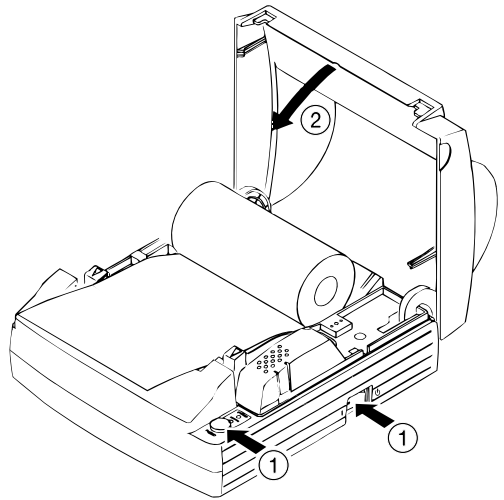
4.11 Hexdump

Funktion zur Erstellung eines hexadezimalen Speicherauszugs

Mit dieser Funktion können Daten, die vom Computer gesendet werden, in Hexadezimalzahlen sowie in Zeichen gedruckt werden, die diesen Zahlen entsprechen.

Starten des Hexdump

- 1 Öffnen Sie die obere Abdeckung.
- 2 Halten Sie die Taste FEED gedrückt, und schalten Sie dabei die Stromversorgung des Druckers "①" ein.
- 3 Wenn Sie die Abdeckung "②" schließen, wird die Meldung "Hexadecimal Dump" gedruckt, und anschließend werden die empfangenen Daten, als Hexadezimalzahlen und den entsprechenden Zeichen gedruckt.
 - Wenn für einzelnen Daten kein Zeichen zur Verfügung steht, wird statt dessen " ." gedruckt.
 - Während des Hexdump stehen nur die Funktionen DLE EOT und DLE ENQ zur Verfügung.
 - Wenn die empfangenen Daten nicht für eine ganze Zeile ausreichen, brauchen Sie lediglich die Taste FEED zu drücken, um die Zeile zu drucken.



<Beispiel eines Hexdump>

=== Hexadecimal Dump ===

```
19 40 08 09 08 09 08 09 08 09  .@.....
08 09 30 30 68 20 70 69 20 31  ..00h pi l
60 68 09 19 21 00 20 21 20 21  `h.!. !!
20 21 20 21 28 29 28 29 A9 29  ! !()(-)
28 29 30 31 30 31 30 31 30 31  ()01010101
```

Beenden des Hexdump

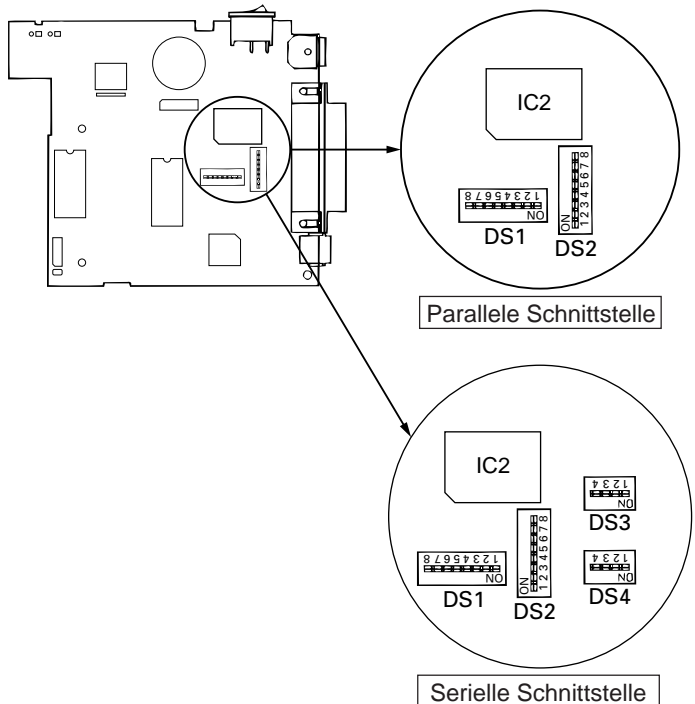
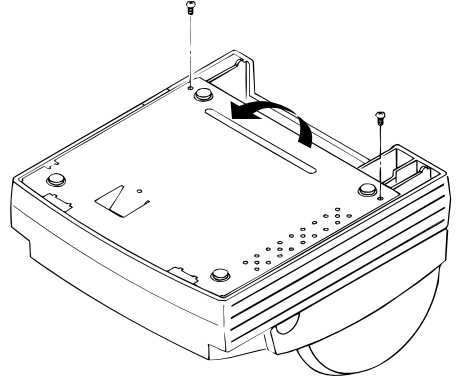
- 4 Nach dem Druck der Hexadezimalzahlen wird die Funktion beendet, wenn Sie die Stromversorgung ausschalten oder wenn ein Rücksetzungssignal von der Schnittstelle empfangen wird.

5. EINSTELLEN DER DIP-SCHALTER

5.1 Position der DIP-Schalter

Führen Sie die folgenden Schritte aus, um auf die DIP-Schalter zuzugreifen:

- 1** Schalten Sie die Stromversorgung des Druckers aus.
- 2** Trennen Sie den Netzteilanschluß vom Netz.
- 3** Nehmen Sie die hintere Abdeckung ab. (Lösen Sie die beiden Schrauben, und heben Sie die hintere Abdeckung in Pfeilrichtung an.)



5.2 DIP-Schaltertabelle

DIP-Schalter 1

No.	Funktion	ON	OFF	Werkseinstellungen
1	Automatischer Papierschneider	Verfügbar	Nicht verfügbar	ON
2	Abdeckung geöffnet	Invalide	Gültig	OFF
3	Einfacher Ladevorgang	Invalide	Gültig	OFF
4	Druckspalten	60 columns	69 columns	OFF
5	CR-Modus	LF-Betrieb	Ignoriert	OFF
6	Eingangspufferspeicher	4K Byte	64K Byte	OFF
7	Druckdichte	Vgl. nachstehende Tabelle		ON
8				OFF

Druckdichte (DIP-Schalter 1)

No.	Druckdichte	Stufe 1 (Licht)	Stufe 2 (Standard)	Stufe 3 (Schmätigtdunkel)	Stufe 4 (Dunkel)
7		OFF	ON	OFF	ON
8		OFF	OFF	ON	ON

Hinweis: Wenn als Druckdichte Stufe 2 (Level 2) oder höher gewählt wird, verringert sich möglicherweise die Druckgeschwindigkeit.

DIP-Schalter 2

No.	Funktion	ON	OFF	Werkseinstellungen
1	Zeichencode	Vgl. nachstehende Tabelle.		OFF *
2	Zeichencode			OFF *
3	Zeichencode			OFF *
4	Zeichencode			OFF *
5	JIS/Umschalt-JIS	Umschalt-JIS	JIS	OFF
6	Bedingung für Busy-Signal	Eingangspuffer-speicher voll	• Offline • Eingangspuffer-speicher voll	OFF
7	Nicht verwendet	—	—	OFF
8	Nicht verwendet	—	—	OFF

*: Länderabhängig

Wählen der Zeichencodetabellen (DIP-Schalter 2)

Code seite \ No.	1	2	3	4
Codeseite PC437 (USA, Europäer Standard)	OFF	OFF	OFF	OFF
Codeseite Katakana (Japanisch)	ON	OFF	OFF	OFF
Codeseite PC850 (Multilingual)	OFF	ON	OFF	OFF
Codeseite PC860 (Portuguese)	ON	ON	OFF	OFF
Codeseite PC863 (Canadian-French)	OFF	OFF	ON	OFF
Codeseite PC865 (Nordic)	ON	OFF	ON	OFF
Codeseite PC852 (Slawisch)	OFF	ON	ON	OFF
Codeseite PC866 (Russisch)	ON	ON	ON	OFF
Codeseite PC857 (Türkisch)	OFF	OFF	OFF	ON
Windows Codeseite	ON	OFF	OFF	ON
Nicht definiert	—	—	—	—
•	—	—	—	—
Leere Seite	ON	ON	ON	ON

Leerseiten sind Bereiche für Benutzerdefinitionen, die standardmäßig leer sind (Leerzeichen). Wird "Katakana" aktiviert, wird der internationale Zeichensatz für Japanisch eingerichtet.

DIP-Schalter 3

No.	Funktion	ON	OFF	Werkseinstellung
1	Bitlänge	7-Bit	8-Bit	OFF
2	Parität	Verfügbar	Nicht verfügbar	OFF
3	Ungerade/Gerade	Gerade Zahl	Ungerade Zahl	OFF
4	Kommunikationsmodus	XON/XOFF	DTR/DSR	OFF

DIP-Schalter 4

No.	Funktion	ON	OFF	Werkseinstellung
1	Baud-Rate	Vgl. nachstehende Tabelle.		OFF
2	Baud-Rate			ON
3	DSR	Rücksetzung	DSR	OFF
4	INIT	Rücksetzung	—	OFF

Baud-Rate (DIP-Schalter 4)

Baud-Rate \ No.	1	2
2400	OFF	OFF
4800	ON	OFF
9600	OFF	ON
19200	ON	ON

Hinweis: Die DIP-Schalter 3 und 4 sind nur für die serielle Schnittstelle vorgesehen.

6. PARALLELE SCHNITTSTELLE

6.1 Bidirektionale parallele Schnittstelle (IEEE1284)

6.1.1 Kompatibilitätsmodus (Host →

Druckerkommunikation: Centronics-kompatibel)

- Allgemeine Beschreibung
Dieser Drucker bietet den Kompatibilitätsmodus, der die Centronics-Schnittstelle spezifiziert, die konventionell für eine Vielzahl von Anwendungen verwendet wird.
- Technische Daten
Datenübertragungsverfahren: 8-Bit parallel
Synchronisierungsverfahren: Steuerung durch externes Hinweissignal
Handshaking: Steuerung über nAck- und Busy-Signal
Signalpegel: Alle Signale sind C-MOS-kompatibel.

6.1.2 Reverse-Modus (Drucker → Hostkommunikation)

Die Datenübertragung vom Drucker zum Computer erfolgt im Nibble- oder Byte-Modus. (Weitere Einzelheiten hierzu entnehmen Sie bitte "APPENDIX 2. BI DIRECTIONAL PARALLEL INTERFACE".)

Kurzbeschreibung

Der Reverse-Modus wurde entwickelt, um die Datenübertragung von einem asynchronen Drucker zu verwalten, der von einem Computer angesteuert wird. Im Nibble-Modus werden Daten in Einheiten von 4-Bit (Einem Nibble) über traditionelle Steuerleitungen übertragen. Im Byte-Modus werden Daten über 8-Bit-Datenleitungen bidirektional übertragen. Beachten Sie, daß beide Betriebsarten nicht gleichzeitig mit dem Kompatibilitätsmodus zusammenarbeiten können. Es ist aus diesem Grund nur eine Halbduplexübertragung möglich. (Weitere Einzelheiten entnehmen Sie bitte "APPENDIX 2. BIDIRECTIONAL PARALLEL INTERFACE".)

6.1.3 Belegung der Anschlußstifte

Der	Quelle	KompatibilitätsModus	Nibble-Modus	Byte-Modus
1	Host	nStrobe	HostClk	HostClk
2	Host/Ptr	Data0(LSB)	Data0(LSB)	Data0(LSB)
3	Host/Ptr	Data1	Data1	Data1
4	Host/Ptr	Data2	Data2	Data2
5	Host/Ptr	Data3	Data3	Data3
6	Host/Ptr	Data4	Data4	Data4
7	Host/Ptr	Data5	Data5	Data5
8	Host/Ptr	Data6	Data6	Data6
9	Host/Ptr	Data7(MSD)	Data7(MSD)	Data7(MSD)
10	Printer	nAck	PtrClk	PtrClk
11	Printer	Busy	PtrBusy/Data3.7	PtrBusy
12	Printer	PError	AckDataReq/Data2.6	AckDataReq
13	Printer	Select	Xflag/Data1.5	Xflag
14	Host	nAutoFd	HostBusy	HostBusy
15		NC	ND	ND
16		GND	GND	GND
17		FG	FG	FG
18	Printer	+5V	+5V	+5V
19		GND	GND	GND
20		GND	GND	GND
21		GND	GND	GND
22		GND	GND	GND
23		GND	GND	GND
24		GND	GND	GND
25		GND	GND	GND
26		GND	GND	GND
27		GND	GND	GND
28		GND	GND	GND
29		GND	GND	GND
30		GND	GND	GND
31	Host	nInit	nInit	nInit
32	Printer	nFault	nDataAvail/Data0.4	nDataAvail
33		GND	ND	ND
34	Printer	DK_STATUS	ND	ND
35	Printer	+5V	ND	ND
36	Host	nSelectIn	1284-Active	1284-Active

NC: Nicht angeschlossen

ND: Nicht definiert

Verwendbare Anschlüsse

Druckerseitig: 57LE-40360 (Amphenol) oder äquivalente Anschlüsse

Kabelseitig: 57-30360 (Amphenol) oder äquivalente Anschlüsse



ACHTUNG:

- Wenn der erste Buchstabe eines Signalnamens mit "n" beginnt, bedeutet dies, daß das Signal im Tiefpegelzustand aktiv ist.
- Wenn eines der obigen Signale nicht zur Verfügung steht, läßt sich keine bidirektionale Kommunikation durchführen. Verwenden Sie für Schnittstellensignale verdrehte Doppelleitungen als Signalleitungen.
- Die Antwortseite muß an Signalerde angeschlossen sein.
- Alle Schnittstellenbedingungen werden entsprechend C-MOS-Pegel angegeben und müssen die folgenden Kenndaten erfüllen. Geben Sie die Anstiegs- und Abfallzeiten jedes Signals mit 0,5 µs an.
- Daten sollten nicht übertragen werden, wenn die Signale nAck und Busy ignoriert werden. Anderenfalls werden Daten möglicherweise gelöscht.
- Die Schnittstellenkabel müssen so kurz wie möglich sein.

6.2 Beschreibung von Eingangs- und Ausgangssignalen

6.2.1 Eingangs- und Ausgangssignale

Druckereingangssignale

- Data: 8-Bit-Parallelsignal. (Aktiv im Hochpegelzustand)
- nStrobe: Hinweissignal zur Unterstützung des Lesevorgangs von 8-Bit-Daten. (Aktiv im Tiefpegelzustand)
- nInIt: Signal zum Rücksetzen aller Druckerfunktion. (Aktiv im Tiefpegelzustand)
- nSelectIn: Dieses Signal wechselt in den Hochpegelzustand, wenn der Drucker in den IEEE 1284-Modus geschaltet wird.

Druckerausgangssignale

- nAck: 8-Bit-Datenanforderungssignal, das nach einem Busy-Signal ausgegeben wird. (Aktiv im Tiefpegelzustand)
- Busy: Mit diesem Signal wird angezeigt, daß der Drucker belegt ist. Neue Daten können übertragen werden, wenn dieses Signal in den Tiefpegelzustand wechselt. (Aktiv im Hochpegelzustand)
- nFault: Dieses Signal wechselt bei aktivem Alarm in den Tiefpegelzustand. Zu diesem Zeitpunkt werden alle Steuerkreise im Drucker deaktiviert. (Aktiv im Tiefpegelzustand)
- PError: Dieses Signal zeigt an, daß der Papiervorrat bald erschöpft ist oder daß das Papier vollständig verbraucht ist. (Aktiv im Hochpegelzustand)
- DK_STATUS: Dieses Signal wechselt in den Hochpegelzustand, wenn der Schalter geöffnet ist, und in den Tiefpegelzustand, wenn er geschlossen ist.

Stromversorgungssignal

- +5 V: 5-V-Signal, das von einem 3,3 kΩ-Widerstand gesteuert wird.
- GND: Gemeinsame Erde für Schaltkreise.

6.2.2 Elektrische Kenndaten

Eingangssignalpegel (nStrobe, Data 0-7)

Alle Eingangssignale entsprechen dem C-MOS Pegel.

Hochpegel: maximal 4,0 V

Tiefpegelzustand: maximal 0,9 V

Ausgangssignalpegel

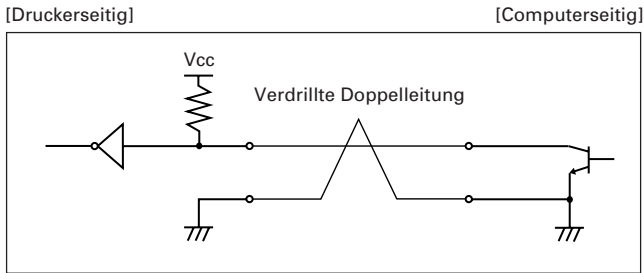
Alle Ausgangssignale entsprechen dem C-MOS Pegel.

Hochpegel: maximal 2,4 V

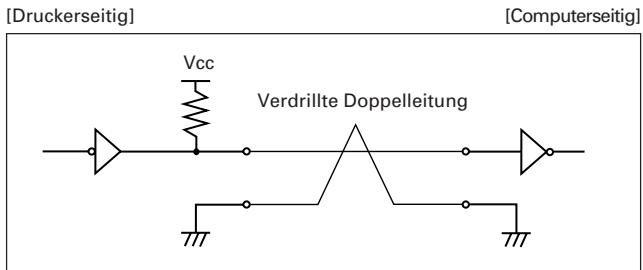
Tiefpegelzustand: maximal 0,4 V

Eingangs- und Ausgangsbedingungen

Alle Eingangssignale (Data 0-7) werden jeweils über einen 50 k Ω -Widerstand gesteuert, und die anderen Eingangssignale werden über einen 3,3 k Ω -Widerstand gesteuert.

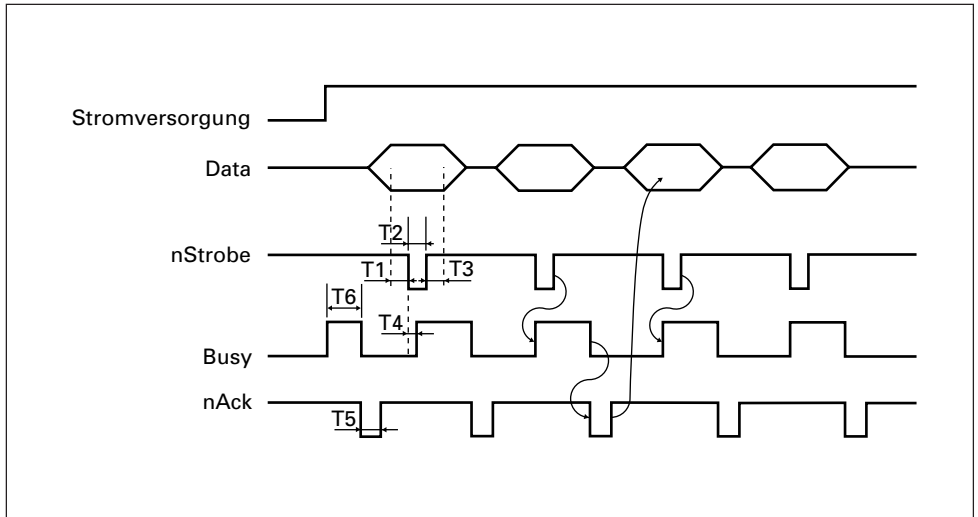


Alle Ausgangssignale (Data 0-7) werden jeweils über einen 50 k Ω -Widerstand gesteuert, und die anderen Ausgangssignale werden über einen 3,3 k Ω -Widerstand gesteuert.



6.2.3 Timing-Tabelle (KompatibilitätsModus)

Timing von Dateneingang und Datendruck



T1, T2, T3: minimal 0,5 μ s

T4: maximal 270 ns

T5: typischerweise 2,3 μ s

T6: minimal 500 ms (Beim Einschalten der Stromversorgung)

6.2.4 Datenempfangssteuerung

Wenn sich das Busy-Signal im Tiefpegelzustand befindet, kann der Drucker Daten vom Computer empfangen. Wenn sich das Signal jedoch im Hochpegelzustand befindet, ist ein Datenempfang nicht möglich.

6.2.5 Datenpufferspeicher

Da der Drucker über einen Datenpufferspeicher von 64K verfügt, steht der Computer sofort für andere Aufgaben zur Verfügung.

7. SERIELLE SCHNITTSTELLE

7.1 Technische Daten

(1) Systemsynchronisierung

Asynchron

(2) Baud-Rate

2400, 4800, 9600 oder 19200 Bit/s (Vom Benutzer wählbar)

(3) Konfiguration eines Wortes

Startbit: 1-Bit

Datenbit: 7 oder 8-Bit (Vom Benutzer wählbar)

Paritätsbit: ungerade, gerade, keines (Vom Benutzer wählbar)

Stopbit: 1-Bit oder mehr

(4) Signalpolarität

RS-232C

• Markierung = Logisch 1 (–3 V bis –12 V)

• Leerzeichen = Logisch 0 (+3 V bis +12 V)

(5) Empfangene Daten (RD-Signal)

RS-232C

• Markierung = 1

• Leerzeichen = 0

(6) Empfangssteuerung (DTR-Signal)

RS-232C

• Markierung: Datenübertragung ist deaktiviert

• Leerzeichen: Datenübertragung ist aktiviert

(7) Übertragungssteuerung (TD-Signal)

DC1-Code (11H) X-ON: Datenempfang wurde aktiviert

DC3-Code (13H) X-OFF: Datenempfang wurde deaktiviert

7.2 Belegung der Anschlußstifte

No.	Signalname	Eingang/Ausgang	Funktion
1	FG	—	Sicherheitserdung
2	TD	Ausgang	Übertragene Daten
3	RD	Eingang	Empfangene Daten
4	RTS	Ausgang	Identisch mit DTR
6	DSR	Eingang	DSR oder RESET (mit DIP-Schalter wählbar)
7	GND	—	Signallerde
20	DTR	Ausgang	BUSY-Signal des Druckers
25	INIT	Eingang	Rücksetzung (mit DIP-Schalter gewählt)

Verwendbare Anschlüsse (D-Sub-Anschlüsse)

Druckerseitig: 17LE-13250 (DDK) oder äquivalente Anschlüsse

Kabelseitig: 17JE-23250 (DDK) oder äquivalente Anschlüsse



ACHTUNG :

- Die RS-232C-Signale basieren auf EIA RS-232C.
- Solange keine Daten übertragen werden, sollten die empfangenen Daten im Markierungszustand gehalten werden.

7.3 Beschreibung der Eingangs- und Ausgangssignale

7.3.1 Eingangs- und Ausgangssignale

(1) RD

Hierbei handelt es sich um ein serielles Empfangsdatensignal. Wenn ein DÜ-Blockfehler, Überlauffehler oder Paritätsfehler auftritt, werden die fehlerhaften Daten so gedruckt: "?".

(2) DTR, RTS

Bei entsprechendem Signal können Sie Daten oder Befehle in den Eingangspufferspeicher schreiben. Wenn Sie während eines BUSY-Signals einen Schreibversuch unternehmen, tritt ein Überlauffehler auf, und die zuvor übertragenen Daten werden ignoriert. Daten können auch beim Drucken in den Eingangspufferspeicher geschrieben werden. Ein BUSY-Signal wird auch beim Einschalten des Druckers, während des Testdrucks, bei Online-Kommunikationen und beim Rücksetzen gesendet.

(3) TD

Wenn Daten empfangen werden, verringert sich die restliche Aufnahmekapazität des Pufferspeichers. Wenn die Aufnahmekapazität unter 128 Byte sinkt, wird ein DC3-Signal (13H) gesendet (dieses Signal zeigt an, daß der Datenempfang deaktiviert wurde). Wenn die Aufnahmekapazität des Eingangspufferspeichers auf 256 Byte oder mehr ansteigt, wird andererseits ein DC1-Signal (11H) an den Computer gesendet. (dieses Signal zeigt an, daß der Datenempfang aktiviert wurde)

(4) DSR

Wenn die Steuerung per DTR/DSR aktiviert ist, überträgt der Computer während der Übertragung von Statusinformationen Daten an den Drucker, nachdem er geprüft hat, daß es sich bei diesem Signal um ein Leerzeichen handelt. Wenn die Steuerung per DTR/DSR nicht aktiviert ist, ignoriert der Computer dieses Signal und sendet Daten an den Drucker. Dieses Signal kann auch als Rücksetzungssignal nach Ändern der DIP-Schalterstellung verwendet werden (siehe 5.2 "DIP-Schalertabelle"). Wenn die Pulsbreite des Signals 1 ms oder länger beträgt, wird eine Rücksetzungssignal übertragen.

(5) INIT

Dieses Signal kann als Rücksetzungssignal verwendet werden, nachdem Sie die Stellung des entsprechenden DIP-Schalters geändert haben (siehe 5.2 "DIP-Schalertabelle"). Wenn die Pulsbreite des Signals im Leerzeichenzustand 1 ms oder länger beträgt, wird ein Rücksetzungssignal übertragen.

(6) FG

Hierbei handelt es sich um ein Massesignal.

(7) GND

Hierbei handelt es sich um die gemeinsame Erde von Schaltkreisen.

7.3.2 Fehlererkennung

Dieser Drucker kann Paritätsfehler, DÜ-Blockfehler und Überlauffehler erkennen. Wenn ein Fehler erkannt wird, werden die fehlerhaften Daten im Pufferspeicher als "?" gespeichert.

(1) DÜ-Blockfehler

Wenn ein Leerzeichenzustand zum Zeitpunkt einer Stoppbiterkennung erkannt wird, ist ein Fehler aufgetreten. Die fehlerhaften Daten werden im Pufferspeicher als "?" gespeichert.

(2) Paritätsfehler

Wenn bei der Paritätsprüfung von Daten Fehler erkannt werden, sofern die Paritätsprüfung aktiviert wurde, werden die fehlerhaften Daten im Pufferspeicher als "?" gespeichert.

(3) Überlauffehler

Wenn ein Überlauffehler erkannt wird, werden die fehlerhaften Daten im Pufferspeicher als "?" gespeichert.

7.3.3 Datenempfangssteuerung

Wenn die Steuerung per DTR/DSR aktiviert ist und das DTR-Signal in den Tiefpegelzustand wechselt, kann der Drucker Daten vom Computer empfangen. Wenn das Signal allerdings im Hochpegelzustand anliegt, kann der Drucker keine Daten empfangen. Wenn die Steuerung per DTR/DSR nicht aktiviert ist, empfängt der Drucker Daten vom Computer, nachdem das X-ON-Signal gesendet wurde. Der Drucker kann aber keine Daten vom Computer empfangen, nachdem ein X-OFF-Signal gesendet wurde.

7.3.4 Pufferung

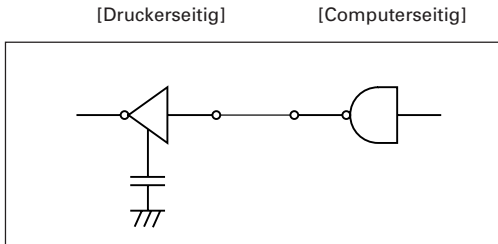
Wenn Daten an den Eingangspufferspeicher übertragen werden, werden das DTR- und das TD-Signal als Steuersignale verwendet.

- Weitere Informationen zum DTR-Signal entnehmen Sie Punkt 7.3.1 (2).
- Weitere Informationen über das TD-Signal entnehmen Sie Punkt 7.3.1 (3).

7.3.5 Elektrische Kenndaten

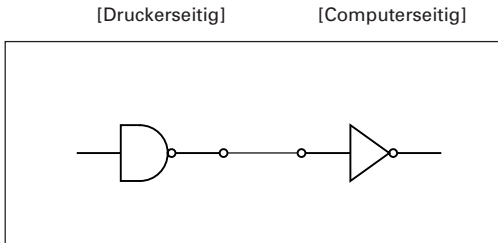
RS-232C-Schaltkreis

Eingang (RD, DSR, INIT)



Äquivalent zu MAXIMUM232

Ausgang (DTR, TD, RTS)



Äquivalent zu MAXIMUM232

8. DRAWER KICKOUT-ANSCHLUSS UND STROMANSCHLUSS

8.1 Technische Daten des Drawer KickOut-Anschlusses

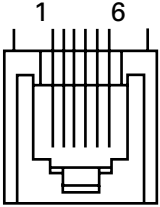
8.1.1 Drawer KickOut-Treibersignal

Ein Impuls (ESC p, DLE DC4) wird gesendet. Im Parallelmodus kann der SW(+)-Zustand an Stift 34 des Schnittstellenanschlusses oder durch die Befehle DLE EOT, GS a und GS r an der seriellen/parallelen Schnittstelle überprüft werden.

8.1.2 Elektrische Kenndaten

- Steuerspannung: 24 V DV
- Steuerstrom: maximal 0,8 A (Innerhalb von 510 ms)
- SW-Signal: Signalpegel im Tiefpegelzustand = 0 bis 0,5 V, im Hochpegelzustand = 3 V bis 5 V

8.1.3 Belegung der Anschlußstifte

No.	Signal	Function	
1	FG	Frame Ground	
2	DRAWER 1	Drawer 1 drive signal	
3	DRSW	Drawer switch input	
4	VDR	Drawer drive power supply	
5	DRAWER 2	Drawer 2 drive signal	
6	GND	Common ground on circuits	

Verwendeter Anschluß: TM5RJ3-66 (Hirose) oder äquivalenter Anschluß

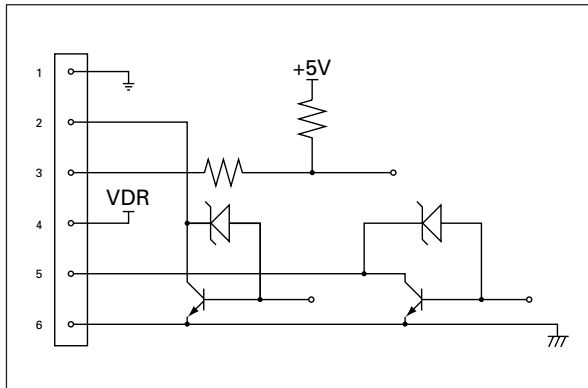
Verwendbarer Anschluß: TM3P-66P (Hirose) oder äquivalenter Anschluß



ACHTUNG:

- Während des Drucks wird kein Ausgangssignal gesendet.
- Drawer 1 und 2 können nicht gleichzeitig angesteuert werden.
- Ein Solenoid, das für den Drawer verwendet wird, sollte 36 Ω oder mehr aufweisen. Der Ausgangsstrom sollte bei 0,8 A oder weniger gehalten werden. Andernfalls könnte ein Defekt oder Brand entstehen.
- Dieser Anschluß darf nicht an eine Telefonleitung angeschlossen werden. Schließen Sie ihn ausschließlich an Salenoid.

8.1.4 Treiberschaltung

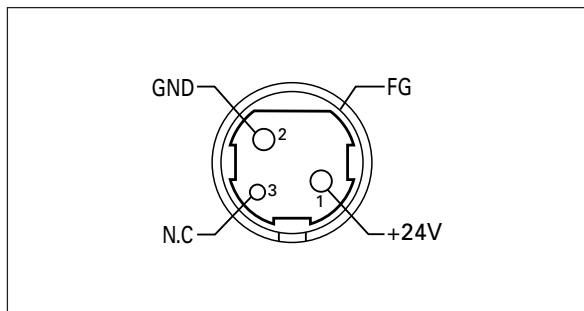


8.2 Technische Daten des Stromanschlusses

Nachstehend ist der Stromanschluß des speziellen Netzteils dargestellt.

Stiftbelegung des Netzanschlusses

(Stiftnummer und Funktion)



Netzanschlusses: TCS7960-53-2010 (Hosiden) oder äquivalenter Anschluß
Verwendbarer Anschluß: TCP8927-63-1100 (Hosiden) oder äquivalenter Anschluß
TCP8927-53-1100 (Hosiden) oder äquivalenter Anschluß

9. WARTUNG UND KUNDENDIENST

Informationen über Wartung und Kundendienst erhalten Sie bei Ihrem CBM-Händler oder unter den folgenden Anschriften.

Nordamerika

CBM America Corporation
Service Center
365 Van Ness Way
Suite 510
Torrance, CA 90501, U.S.A

Tel.: +1-310-781-1460

Fax: +1-310-781-9157

Sonstige Länder

Japan CBM Corporation
Information Systems Division
CBM Bldg., 5-68-10, Nakano
Nakano-ku, Tokyo 164-0001
Japan

Tel.: +81-3-5345-7540

Fax: +81-3-5345-7541

Japan CBM Corporation

Information Systems Division — CBM Bldg., 5-68-10, Nakano, Nakano-ku, Tokyo 164-0001, Japan
Head Office ————— Tel: (+81-3) 5345-7540 Fax: (+81-3) 5345-7541

Printed in Japan

Free Manuals Download Website

<http://myh66.com>

<http://usermanuals.us>

<http://www.somanuals.com>

<http://www.4manuals.cc>

<http://www.manual-lib.com>

<http://www.404manual.com>

<http://www.luxmanual.com>

<http://aubethermostatmanual.com>

Golf course search by state

<http://golfingnear.com>

Email search by domain

<http://emailbydomain.com>

Auto manuals search

<http://auto.somanuals.com>

TV manuals search

<http://tv.somanuals.com>