

HCC360 Domino Two Zone Ceramic Hob

Manual for Installation, Use and Maintenance

|C|D|A|



Dear Customer,

Thank you for having purchased and given your preference to our product.

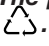
The safety precautions and recommendations reported below are for your own safety and that of others. They will also provide a means by which to make full use of the features offered by your appliance.

Please preserve this booklet carefully. It may be useful in future, either to yourself or to others in the event that doubts should arise relating to its operation.

This appliance must be used only for the task it has explicitly been designed for, that is for cooking foodstuffs. Any other form of usage is to be considered as inappropriate and therefore dangerous.

The manufacturer declines all responsibility in the event of damage caused by improper, incorrect or illogical use of the appliance.

IMPORTANT PRECAUTIONS AND RECOMMENDATIONS

- ✓ After having unpacked the appliance, check to ensure that it is not damaged.
If you have any doubts, do not use it and consult your supplier or a professionally qualified technician.
- ✓ Packing elements (i.e. plastic bags, polystyrene foam, nails, packing straps, etc.) should not be left around within easy reach of children, as these may cause serious injuries.
- ✓ The packaging material is recyclable and is marked with the recycling symbol .
- ✓ Do not attempt to modify the technical characteristics of the appliance as this may become dangerous to use.
- ✓ The manufacturer cannot be considered responsible for damage caused by unreasonable, incorrect or rash use of the appliance.
- ✓ If you should decide not to use this appliance any longer (or decide to substitute an older model), before disposing of it, it is recommended that it be made inoperative in an appropriate manner in accordance to health and environmental protection regulations, ensuring in particular that all potentially hazardous parts be made harmless, especially in relation to children who could play with old appliances.
- ✓ The appliance should be installed and all the gas/electrical connections made by a qualified engineer in compliance with local regulations in force and following the manufacturer's instructions

TIPS FOR THE USER

- ✓ During and after use of the cooktop, certain parts will become very hot. Do not touch hot parts.
- ✓ Keep children away from the cooking hob when it is in use.
- ✓ After use, ensure that the knobs are in position ● (off), and close the main gas delivery valve or the gas cylinder valve.
- ✓ In case of difficulty in the gas taps operation, call Service.
- ✓ Before any cleaning or maintenance, switch off the electricity to the cooktop.

Risk of fire!

- ✓ Do not leave inflammable material on the cooktop.
- ✓ Make sure that the electrical cables of other appliances installed nearby cannot come into contact with the cooktop.
- ✓ Never cook the food directly on the electric hotplates, but in special pans or containers.

IMPORTANT PRECAUTIONS AND RECOMMENDATIONS FOR USE OF ELECTRICAL APPLIANCES

Use of any electrical appliance implies the necessity to follow a series of fundamental rules. In particular:

- ✓ Never touch the appliance with wet hands or feet;
- ✓ do not operate the appliance barefooted;
- ✓ do not allow children or disabled people to use the appliance without your supervision.

The manufacturer cannot be held responsible for any damages caused by improper, incorrect or unreasonable use of the appliance.

DECLARATION OF CE CONFORMITY

- This cooking hob has been designed to be used only for cooking. Any other use (such as heating a room) is improper and dangerous.
- This cooking hob has been designed, constructed, and marketed in compliance with:

- Safety requirements of the "Gas" Directive 90/396/EEC;
- Safety requirements of "Low voltage" Directive 2006/95/EC;
- Safety requirements of "EMC" Directive 89/336/EEC;
- Requirements of Directive 93/68/EEC.



These instructions are only valid for the countries indicated by the symbols on the cover of the instruction booklet and on the appliance itself.

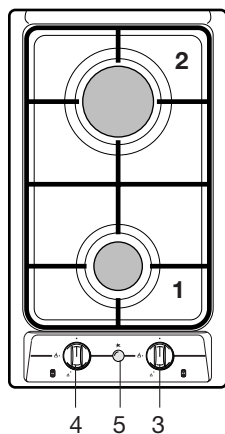


Fig. 1.1

"2 GAS" COOKING HOB (Fig. 1.1)

The appliance has class 3

COOKING POINTS

1. Semirapid burner (SR) - 1,75 kW
2. Rapid burner (R) - 3,00 kW

CONTROL PANEL DESCRIPTION

3. Burner 2 (R) control knob
4. Burner 1 (SR) control knob
5. Electric gas-lighting device;
 - if the device is not installed, the appliance may be provided with:
 - A gas-lighter incorporated into the knob (★ symbol beside flame 🔥 - max. heat/max. gas flow).
 - No gas-lighter (no ★ symbol beside knobs).

- ✓ If the appliance has a safety valve system fitted (beside every burner is a T-shaped probe, as in Fig. 5.2 - not to be confused with the S-shaped electrode of the gas-lighter), the flow of gas will be stopped if and when the flame should accidentally go out.

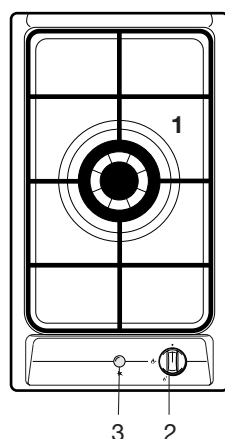


Fig. 1.2

"1 GAS triple ring burner" COOKING HOB (Fig. 1.2)

The appliance has class 3

COOKING POINTS

1. Triple ring burner - 3,50 kW

CONTROL PANEL DESCRIPTION

2. Triple ring burner control knob
3. Electric gas-lighting device;
 - if the device is not installed, the appliance may be provided with:
 - A gas-lighter incorporated into the knob (★ symbol beside flame 🔥 - max. heat/max. gas flow).
 - No gas-lighter (no ★ symbol beside knobs).

Important Note:

- ✓ If the appliance has a safety valve system fitted (beside every burner is a T-shaped probe, as in Fig. 5.2 - not to be confused with the S-shaped electrode of the gas-lighter), the flow of gas will be stopped if and when the flame should accidentally go out.

CAUTION:

If the burner is accidentally extinguished, turn the gas off at the control knob and wait at least 1 minute before attempting to relight.

CAUTION:

Gas hobs produce heat and humidity in the environment in which they are installed.

Ensure that the cooking area is well ventilated by opening the natural ventilation grilles or by installing an extractor hood connected to an outlet duct.

CAUTION:

If the hob is used for a prolonged time it may be necessary to provide further ventilation by opening a window or by increasing the suction power of the extractor hood (if fitted).

"2 ELECTRIC" COOKING HOB (Fig. 1.3)

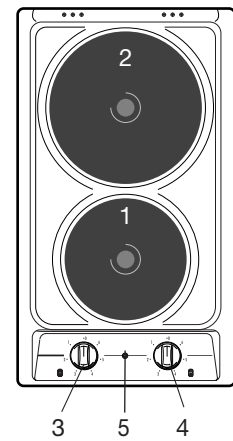
- Electrical insulation Class I.
- Overheating surfaces protection Type Y.

COOKING POINTS

1. Electrical plate Ø 145 - (1000 W - 1500 W)
2. Electrical plate Ø 180 - (1500 W - 2000 W)

CONTROL PANEL DESCRIPTION

3. Electrical plate 1 control knob
4. Electrical plate 2 control knob
5. Power indicator light



VITROCERAMIC HOBS (Fig. 1.4, 1.5, 1.6, 1.7)

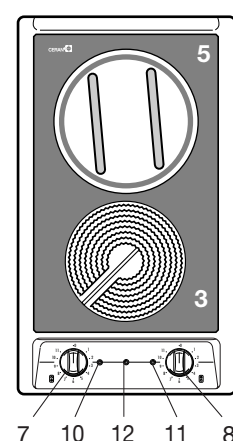
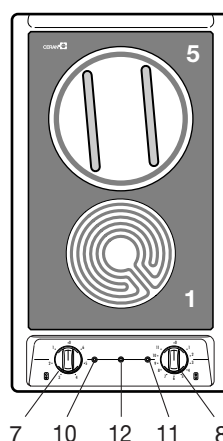
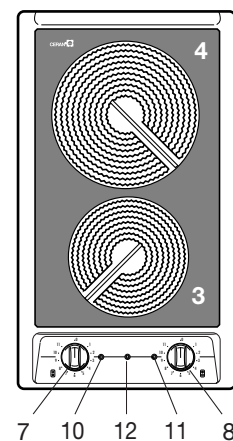
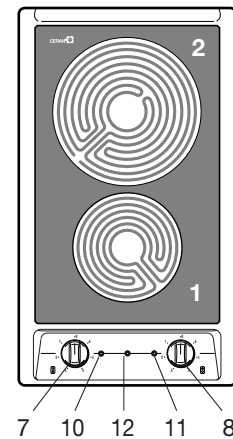
- Electrical insulation Class I.
- Overheating surfaces protection Type Y.

COOKING POINTS

1. 3 circuits cooking zone Ø 145 - 1200 W
2. 3 circuits cooking zone Ø 180 - 1700 W
3. Hi-light cooking zone Ø 145 - 1200 W
4. Hi-light cooking zone Ø 180 - 1800 W
5. Halogen cooking zone Ø 180 - 1800 W

CONTROL PANEL DESCRIPTION

7. Front zone control knob
8. Rear zone control knob
10. Front zone residual heat indicator
11. Rear zone residual heat indicator
12. Power indicator light



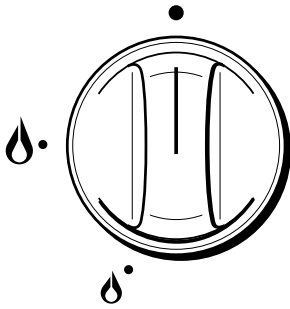


Fig. 2.1a

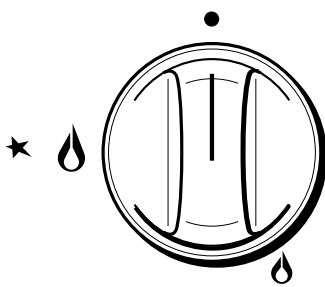


Fig. 2.1b

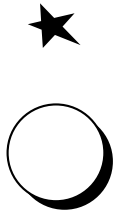


Fig. 2.2

GAS BURNERS

Gas flow to the burners is adjusted by turning the knobs (illustrated in figs. 2.1a - 2.1b) which control the safety valves.

Turning the knob so that the indicator line points to the symbols printed on the panel achieves the following functions:

- ✓ full circle ● = closed valve
- ✓ symbol 🔥 = maximum aperture or flow
- ✓ symbol 🔥 = minimum aperture or flow

To light one of the gas burners, hold a flame (e.g. a match) close to the top part of the burner, push in and turn the relative knob in an anti-clockwise direction, pointing the knob indicator towards the large flame symbol (i.e. max. gas flow).

To reduce the gas flow to minimum, rotate the knob further anti-clockwise to point the indicator towards the small flame symbol.

The maximum aperture position permits rapid boiling of liquids, whereas the minimum aperture position allows slower warming of food or maintaining boiling conditions of liquids.

Other intermediate operating adjustments can be achieved by positioning the indicator between the maximum and minimum aperture positions, and never between the maximum aperture and closed positions.

N.B. When the cooker top is not being used, set the gas knobs to their closed positions and also close the cock valve on the gas bottle or the main gas supply line.

VALVELESS ELECTRIC SPARK-LIGHTING GAS BURNERS

Models fitted with electric spark lighter button

On these cooker tops, to light one of the burners you have to push in and turn the relative knob to the maximum aperture position (large flame symbol) and press the electric lighter button (fig. 2.2) until the flame has been lit.

Adjust the gas valve to the desired position.

Models fitted with electric lighter incorporated into the burner knobs

★ symbol beside the 🔥 symbol (max. heat/max. gas flow) (fig. 2.1b).

To light one of the gas burners, push in and turn the relative knob to the maximum aperture position (large flame symbol) and hold the knob in until the flame has been lit. The sparks produced by the lighter situated inside the relative burner will light the flame.

In the event that the local gas supply conditions makes it difficult to light the burner in maximum aperture position, try again with the knob in minimum position.

LIGHTING GAS BURNERS FITTED WITH SAFETY VALVE DEVICE

In order to light the burner, you must:

- 1 – Turn the knob in an anti-clockwise direction up to the maximum aperture, push in and hold the knob;

In models with the gas lighter incorporated in the knob, this will light the gas. If there is no mains electrical supply, bring a lighted match close to the burner.
- 2 – For models with push-button lighting only: push the gas-lighter button.
- 3 – Wait about ten seconds after the gaslights before releasing the knob (starting time for the valve).
- 4 – Adjust the gas valve to the desired position.

If the burner flame should go out for some reason, the safety valve will automatically stop the gas flow.

To re-light the burner, return the knob to the closed ● position and repeat the operations for lighting.

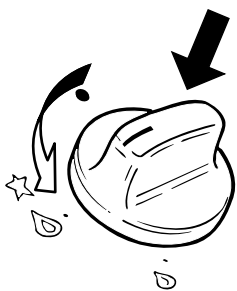


Fig. 2.3

CHOICE OF BURNER (fig. 2.4)

The symbols printed on the panel beside the gas knobs indicate the correspondence between the knob and the burner.

The most suitable burner is to be chosen according to the diameter and volume capacity of the container to be warmed.

It is important that the diameter of the pots or pans suitably match the heating potential of the burners in order not to jeopardise the efficiency of the burners, bringing about a waste of gas fuel.

A small diameter pot or pan placed on a large burner does not necessarily mean that boiling conditions are reached quicker.

Caution!
the cooking hob becomes very hot during operation.
Keep children well out of reach.

DIAMETERS OF PANS WHICH MAY BE USED ON THE HOBBS

BURNERS	MINIMUM	MAX.
Semirapid	12 cm	22 cm
Rapid	22 cm	26 cm
Triple ring	24 cm	28 cm

Maximum diameter for woks: 36 cm.

do not use pans with concave or convex bases

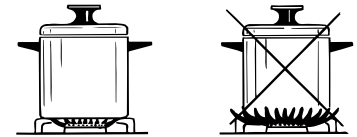


Fig. 2.4

GRATE FOR SMALL PANS (optional) - (See fig. 2.5)

This grate is to be placed on top of the (smaller) semirapid burner when using small diameter pans, in order to prevent them from tipping over.

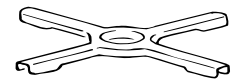


Fig. 2.5

SPECIAL WOK GRILLE (optional) (fig. 2.6 e 2.7).

This special grille for woks should be placed over the pan-rest for the largest burner.

Warning:

- ✓ Using woks without this special grille may cause the burner to malfunction.
- ✓ Do not use the grille for ordinary, flat-bottomed saucepans.

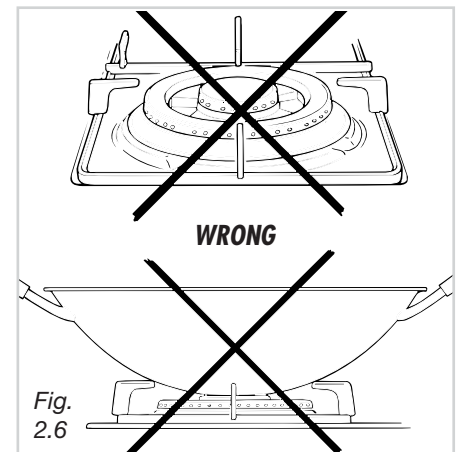


Fig. 2.6

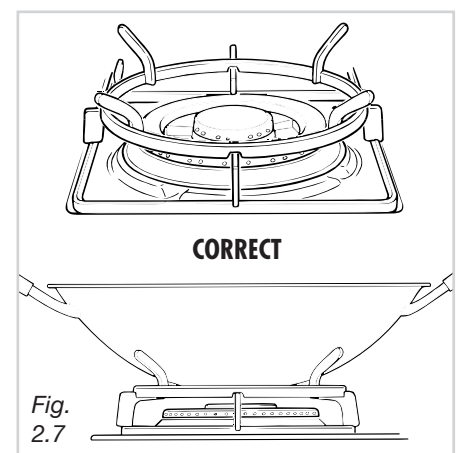


Fig. 2.7

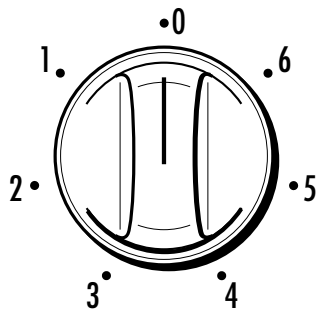


Fig. 3.1

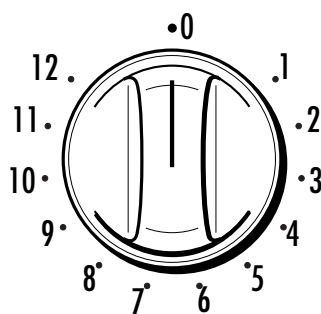


Fig. 3.2

NORMAL HOTPLATE

To turn on the electric hotplate, rotate the knob (fig. 3.1 - 3.2) to the desired setting. The numbers from 1 to 6 or 1 to 12 indicate the operating positions with increasing number corresponding to higher temperature settings.

When the pan comes to the boil, turn the heat down to the level desired.

Remember that the hotplate will continue to produce heat for about five minutes after it has been turned off.

RAPID HOTPLATE (red dot)

The rapid hotplate control knob is similar to that of the normal hotplate, with 6 or 12 selectable heating positions (fig. 3.1 - 3.2).

The characteristics of this hotplate, which is also equipped with a thermostatic cut-off device, make it possible to:

- achieve the cooking temperature rapidly
- make full use of its output power using flat-bottomed pans
- limit the output power with unsuitable saucepans.

Never cook food directly on the electric hotplates! Always use a saucepan or special container.

Caution! the cooking hob becomes very hot during operation. Keep children well out of reach.

PROPER USE OF THE ELECTRIC HOTPLATE (fig. 3.3)

When the pan comes to the boil, turn the heat down to the level desired.

Remember that the hotplate will continue to produce heat for about five minutes after it has been turned off.

While using the electric hotplate, you must:

- ✓ avoid keeping it on without something on it;
- ✓ avoid pouring liquids on it while it is hot;
- ✓ use flat-bottomed (electric hotplate type) pots and pans only
- ✓ use cooking receptacles which cover as much of the surface of the hotplate as possible.
- ✓ to save electricity, use lids whenever possible.
- ✓ never cook food directly on the hotplate: always use a pan or suitable container.

An indicator light located close to the control panel signals that the hotplate is operating.

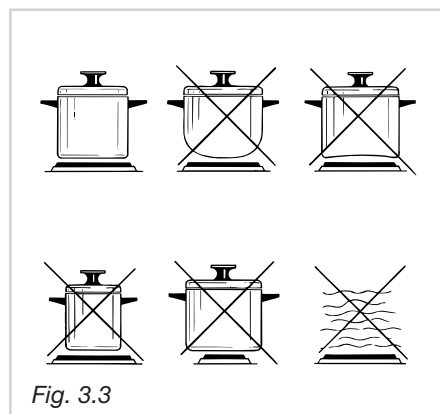


Fig. 3.3

Hob controlled by 7-position switch 0 - 6

Hob controlled by continuous energy regulation switch 0 - 12

1		1
2		2
3		3
4		4
5		5
6		6
7		7
8		8
9		9
10		10
11		11
12		12

□ = Warming

■ = Cooking

■ = Roasting - Frying

Fig. 3.4

ELECTRIC HOTPLATE USAGE TABLE

Position of switch	Type of cooking	
0	0	Switched OFF
1	1	For melting operations (of butter or chocolate)
2	2	
2	2	To keep foods warm or heat small quantities of water.
3	3	
4	4	
3	4	To heat greater quantities of water and to whip creams and sauces.
4	5	
5	6	
3	6	Slow boiling, e.g. spaghetti, soups, boiled meats, to continue steam heating of roast meats and stews.
4	7	
4	7	For all kinds of fried foods, steaks, cutlets and cooking without a lid.
5	8	
4	8	For browning of meat, cooked potatoes, fried fish and for boiling large quantities of water.
5	9	
6	10	
6	11	Rapid frying, grilled steaks, etc.
6	12	

The main characteristic of this pyroceram cooker top is that it permits rapid vertical transmission of the heat from the heating elements below to the saucepans on top.

The heat does not spread horizontally, however, and therefore the glass stays cold only a few centimetres from the hob.

The hobs are controlled by the 7 positions switch (0÷6) (fig. 4.1) or by the continuous energy regulation switch (0÷12) (fig. 4.2).

The heat intensity can be regulated continuously from 0 (off) to "6" or "12" (max).

Check that the hob is clean and then switch on by turning the control knob.

When the top is working, the pilot light will be on.

When the hob temperature is above 60°C, the corresponding indicator light will come on to indicate that the hob is hot.

This light will stay on even after the hob has been switched off to indicate that the hob is still hot.

The residual heat persists for some time after the hob has been switched off.

During this time avoid touching the hob and take particular care if there are children nearby.

The light will go out automatically when the hob temperature drops below 60°C.

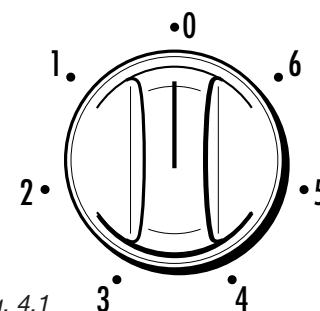


Fig. 4.1

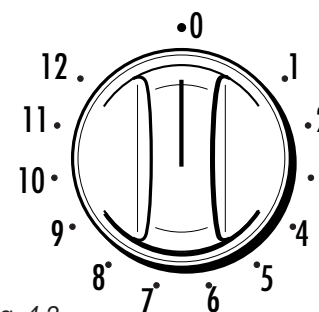


Fig. 4.2

TYPES OF COOKING AREA

"3 circuiti" radiant zones (Fig. 4.3)

The heating element consists of 3 electrical resistances which can operate together or separately according to the setting of the 7-position switch or energy regulator 0-12. It reaches the required temperature very quickly.

"Hi-light" radiant zones (Fig. 4.4)

The heating element is formed of a coil of resistant material which reaches the working temperature quickly.

Operation of the cooking zone is controlled by a continuous energy regulator from 1 (minimum position) to 12 (maximum temperature).

Halogen zones (Fig. 4.5)

The heating element consists of 2 halogen lamps and an electrical resistance. It instantly reaches the required temperature.

The area is controlled by a continuous energy regulator from 1 (minimum position) to 12 (maximum temperature).

Warning for eyes: Do not stare at the lamp when it is on.

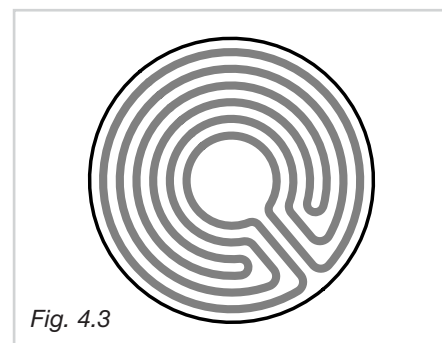


Fig. 4.3

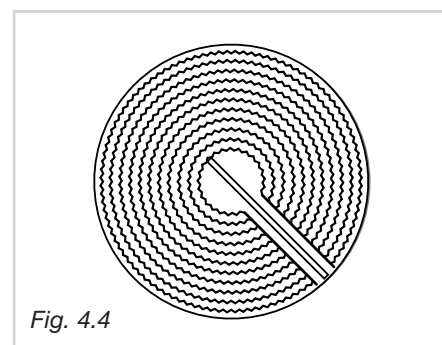


Fig. 4.4

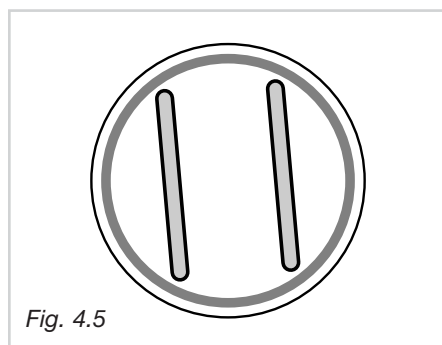


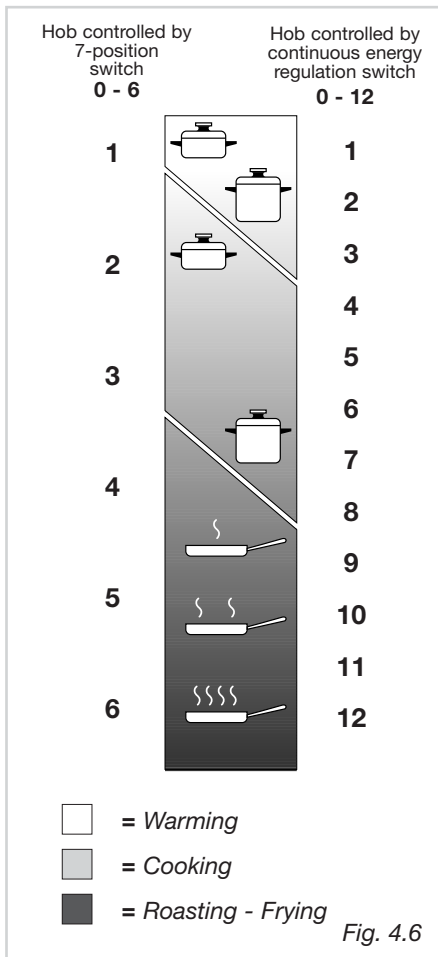
Fig. 4.5

**Do not scratch the cooktop with cutting or sharp objects.
Do not use the cooktop as a work surface.**

**Caution! the cooking hob becomes very hot during operation.
Keep children well out of reach.**

HINTS FOR SAFE USE OF THE HOBS

- Before switching on, check which knob controls the required hob. You are advised to place the saucepan on the hob before switching on and to take it off after switching off.
- Use saucepans with an even flat bottom (be careful of cast iron saucepans). Uneven bottoms can scratch the pyroceram surface. Check that the bottom is clean and dry.
- Check that the saucepan handle does not protrude from the top to avoid knocking it over. This precaution also makes it more difficult for children to reach the saucepan.
- Do not use the top if the surface is broken or damaged.
- Do not bend over the hobs when they are on.
- Do not leave aluminium foil, greaseproof paper etc. or plastic on the hob when it is hot.
- Remember that the hobs stay hot for quite a long time (approx. 30 min.) after they have been switched off.
- Scrupulously follow the cleaning instructions.
- Do not drop heavy or sharp objects on the glass ceramic cooktop.
- If you note a crack in the cooktop, switch the appliance off immediately and call the After-Sales Service.
- If the cooktop has halogen lamps, do not stare at them.
- Never cook the food directly on the glass ceramic cooktop, but in special pans or containers.



ELECTRIC HOTPLATE USAGE TABLE

Position of switch		Type of cooking
0	0	Switched OFF
1	1	For melting operations (of butter or chocolate)
2	2	
2	2	To keep foods warm or heat small quantities of water.
	3	
	4	
3	4	To heat greater quantities of water and to whip creams and sauces.
	5	
	6	
3	6	Slow boiling, e.g. spaghetti, soups, boiled meats, to continue steam heating of roast meats and stews.
4	7	
4	7	For all kinds of fried foods, steaks, cutlets and cooking without a lid.
	8	
4	8	For browning of meat, cooked potatoes, fried fish and for boiling large quantities of water.
5	9	
	10	
6	11	Rapid frying, grilled steaks, etc.
	12	

GENERAL RECOMANDATION

- ✓ Before you begin cleaning you must ensure that the hob is switched off.

It is advisable to clean when the appliance is cold and especially when cleaning the enamelled parts.

- ✓ All enamelled surfaces have to be washed with soapy water or some other non-abrasive product with a sponge and are to be dried preferably with a soft cloth.
- ✓ Avoid leaving alkaline or acid substances (lemon juice, vinegar etc.) on the surfaces.

ENAMELLED PARTS

- ✓ All the enamelled parts must be cleaned with a sponge and soapy water only or other non-abrasive products.
 - ✓ Dry preferably with a chamois leather.
- If acid substances such as lemon juice, tomato conserve, vinegar etc. are left on the enamel for a long time they will etch it, making it opaque.

STAINLESS STEEL ELEMENTS

- ✓ Stainless steel parts must be rinsed with water and dried with a soft and clean cloth or with a chamois leather.
- ✓ For difficult dirt, use a specific non-abrasive product available commercially or a little hot vinegar.
- ✓ **Note: regular use could cause discolouring around the burners, because of the high flame temperature.**

CONTROL KNOB

- ✓ The control knobs may be removed for cleaning but care should be taken not to damage the seal.

GLASS LID (optional)

Electric plates and gas models

- ✓ Do not close the glass lid when the electrical plates are still hot and when the oven, installed below the cooking hob is on or still hot.
- ✓ Do not rest hot pans or heavy objects on the cooker lid.
- ✓ Remove any spillages from the surface of the lid before opening.

GAS TAPS

- ✓ In the event of operating faults in the gas taps, call the Service Department.

VITROCERAMIC HOB

- Before cleaning the top, make sure that it is switched off.

Remove any encrustation using a special scraper which can be bought (fig. 5.1).

Remove dust using a damp cloth.

Detergents can be used as long as they are not abrasive or corrosive.

All residues of detergent must be eliminated with a damp cloth.

Keep all objects that could be melted by the heat away from the top: plastic objects, aluminium foil, sugar or sugary products.

If an object melts on the top, remove immediately (while the top is still hot) using the special scraper to avoid permanent damage to the pyroceram surface.

Avoid using knives and pointed objects as they could damage the surface of the top.

Also avoid using abrasive sponges or wire wool which can permanently scratch the pyroceram surface.

CLEANING ELECTRIC HOTPLATES

- ✓ Always clean when the hotplate is tepid.
- ✓ Use a soft cloth, dampened with water, and a little salt. To finish off, use a soft cloth with a little oil.
- ✓ Do not use water, to avoid the formation of rust.

**Do not scratch the cooktop with cutting or sharp objects.
Do not use the cooktop as a work surface.**

Do not use steam jet cleaners because the humidity could infiltrate into the appliance making it dangerous.



Fig. 5.1

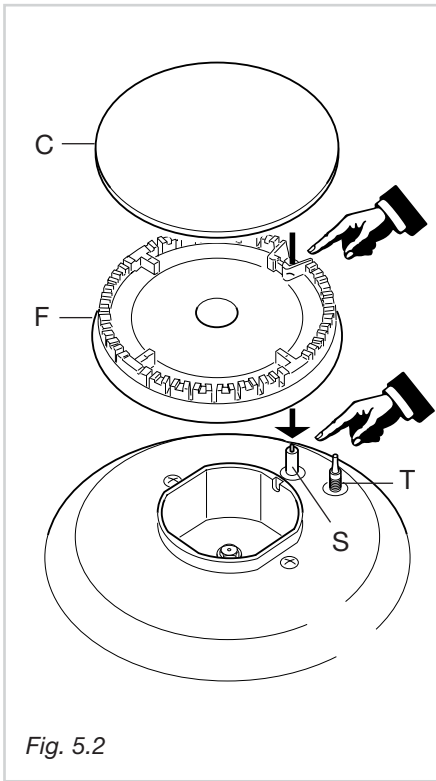


Fig. 5.2

BURNERS AND GRIDS

- ✓ These parts can be removed and cleaned with appropriate products.
- ✓ After cleaning, the burners and their flame distributors must be well dried and correctly replaced.
- ✓ It is very important to check that the burner flame distributor and the cap has been correctly positioned - failure to do so can cause serious problems.
- ✓ In appliances with electric ignition keep the electrode clean so that the sparks always strike.
- ✓ **Note: To avoid damage to the electric ignition do not use it when the burners are not in place.**

CORRECT REPLACEMENT OF THE BURNERS

It is very important to check that the burner flame distributor F and the cap C has been correctly positioned (see figs. 5.2 and 5.6) failure to do so can cause serious problems. Check that the electrode "S" (fig. 5.2) is always clean to ensure trouble-free sparking.

Check that the probe "T" (fig. 5.2) next to each burner is always clean to ensure correct operation of the safety valves. Both the probe and ignition plug must be very carefully cleaned.

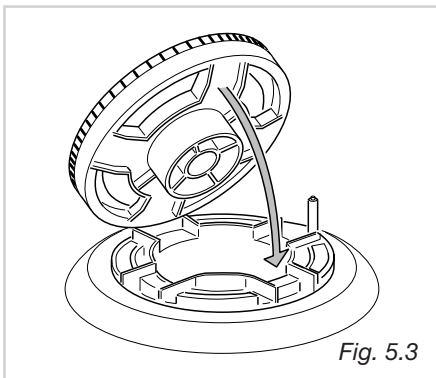


Fig. 5.3

TRIPLE RING BURNER

The triple ring burner must be correctly positioned (see fig. 5.3); the burner rib must be enter in their logement as shown by the arrow.

Then position the cap **A** and the ring **B** (fig. 5.4 - 5.5). The burner correctly positioned must not rotate (fig. 5.4).

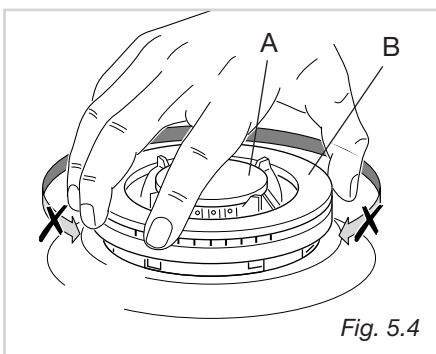


Fig. 5.4

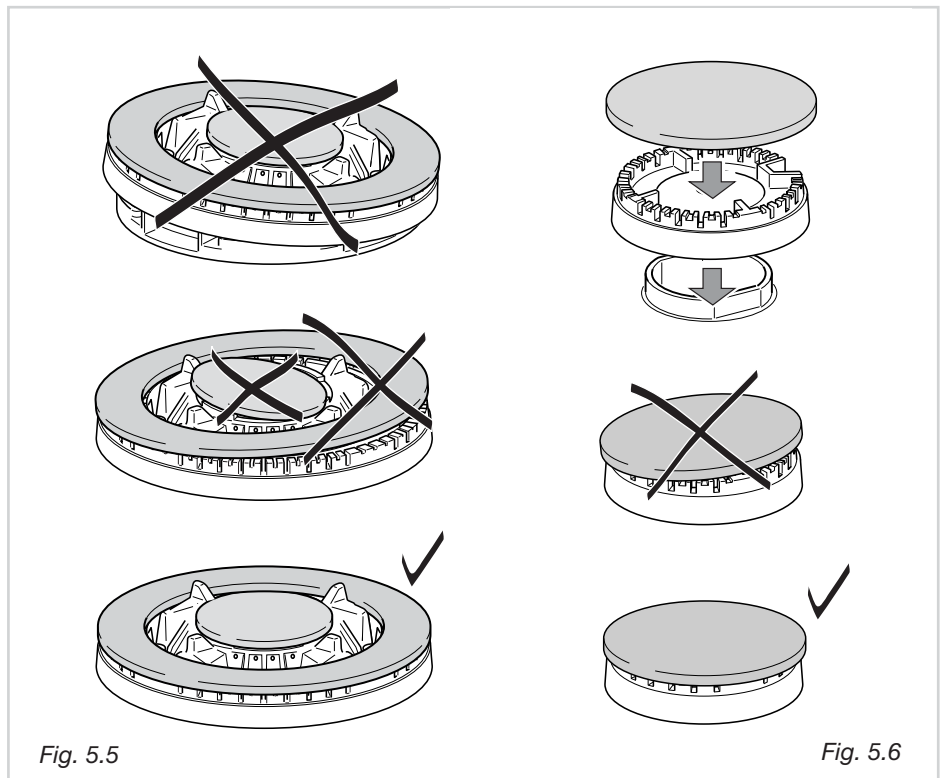


Fig. 5.5

Fig. 5.6

Installation advice

6

INSTALLATION

IMPORTANT

- The appliance should be installed, regulated and adapted to function with other types of gas by a QUALIFIED INSTALLATION TECHNICIAN. Failure to comply with this condition will render the guarantee invalid.
- The appliance must be installed in compliance with regulations in force.
- Installation technicians must comply to current laws in force concerning ventilation and the evacuation of exhaust gases.
- Always unplug the appliance before carrying out any maintenance operations or repairs.

- ✓ *The appliance must be housed in heat-resistant units.*
- ✓ *These tops are designed to be embedded into kitchen fixtures measuring 600 mm in depth.*
- ✓ *The walls of the units must not be higher than work top and must be capable of resisting temperatures of 75 °C above room temperature.*
- ✓ *Do not instal the appliance near inflammable materials (eg. curtains).*

GAS COOKING HOBS

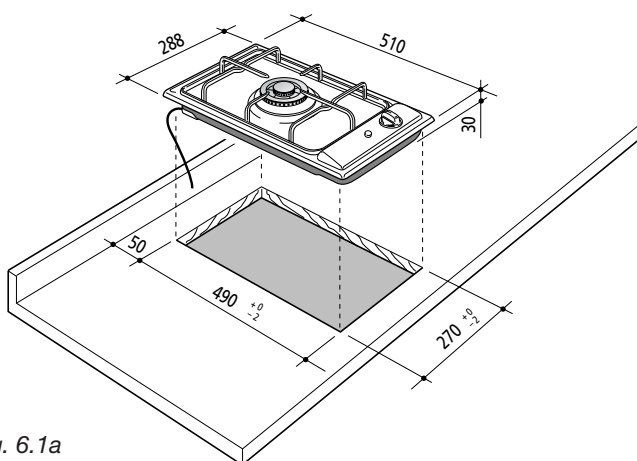


Fig. 6.1a

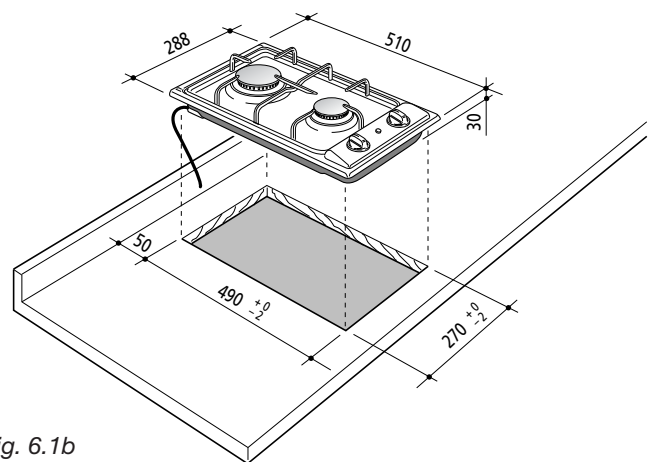


Fig. 6.1b

TECHNICAL INFORMATION FOR THE INSTALLER

Before installing the cooktop, remove the protective film.

This cooktop can be built into a working surface 20 to 40 mm thick and 600 mm deep.

In order to install the cooker top into the kitchen fixture, a hole with the dimensions shown in figs. 6.1a - 6.1b has to be made, keeping in consideration the following:

- within the fixture, between the bottom side of the cooker top and the upper surface of any other appliance or internal shelf there must be a clearance of at least 30 mm;
- the cooker top must be kept no less than 100 mm away from any side wall;
- the cooker top must be kept at a distance of no less than 50 mm from the rear wall.
- there must be a distance of at least 650 mm between the hob and any wall cupboard or extractor hood positioned immediately above (see fig. 6.2)
- the coatings of the walls of the unit or appliances near the cooktop must be heat resistant ("Y" protection against heating in compliance with standards EN 60335-2-6).

Do not instal the appliance near inflammable materials (eg. curtains).

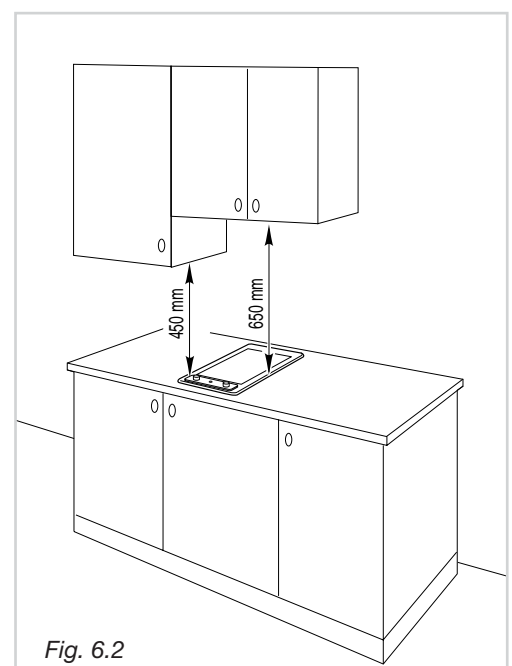


Fig. 6.2

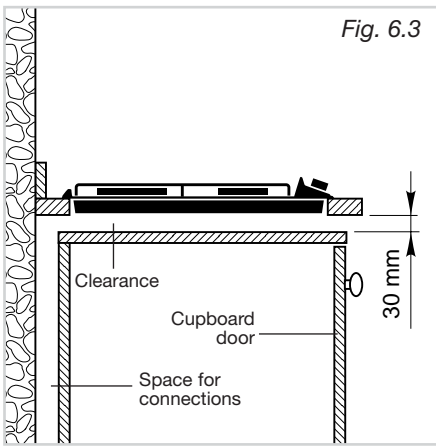


Fig. 6.3

WITH CUPBOARD DOORS (fig. 6.3)

The fixture has to be made according to specific requirements in order to prevent the gas burners from going out, even when the flame is turned down to minimum, due to pressure changes while opening or closing the cupboard doors. It is recommended that a 30 mm clearance be left between the cooker top and the fixture surface beneath it.

FASTENING THE COOKTOP (fig. 6.4)

Each cooktop is supplied with a set of tabs and screws to fasten it on units with a working surface from 2 to 4 cm deep.

The kit includes 4 tabs "A" and 4 self-threading screws "B".

- ✓ Cut the unit.
- ✓ Stretch gasket "C" over the edge of the hole made, being careful to overlay the junction edges.
- ✓ Turn the cooktop over and put tabs "A" into the mountings; only tighten screws "B" a few turns.
Make sure that the tabs are mounted correctly as shown in the figure.
- ✓ Put the cooktop into the hole cut into the unit and position it correctly.
- ✓ Put tabs "A" into place and tighten screws "B" until the cooktop is completely secured.
- ✓ Using a sharp tool cut off the part of gasket "C" which protrudes from the cooktop.

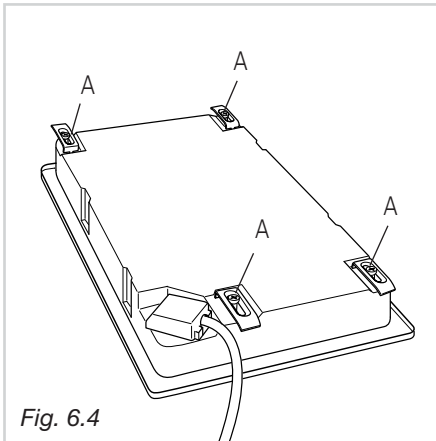


Fig. 6.4

CHOOSING SUITABLE SURROUNDINGS (for gas models)

The room where the gas appliance is to be installed must have a natural flow of air so that the gas can burn (in compliance with the current laws in force).

The flow of air must come directly from one or more openings made in the outside walls with a free area of at least 100 cm².

If the appliance does not have a no-flame safety device this opening must have an area of at least 200 cm².

The openings should be near the floor and preferably on the side opposite the exhaust for combustion products and must be so made that they cannot be blocked from either the outside or the inside.

When these openings cannot be made, the necessary air can come from an adjacent room which is ventilated as required, as long as it is not a bedroom or a danger area (in compliance with the current laws in force).

In this case, the kitchen door must allow the passage of the air.

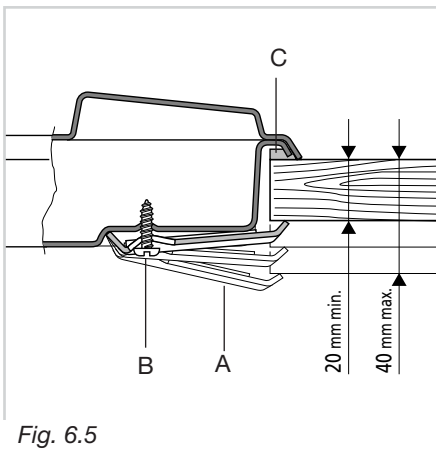


Fig. 6.5

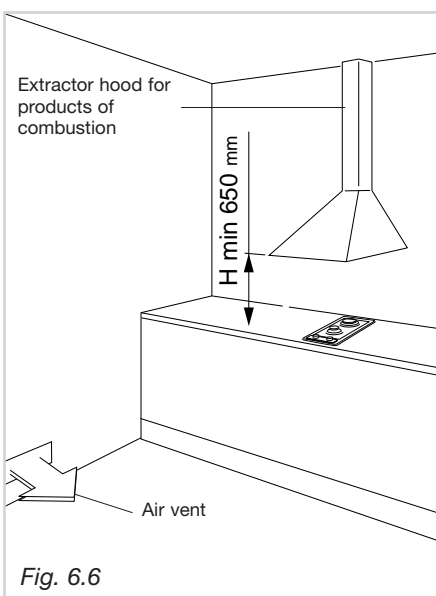


Fig. 6.6

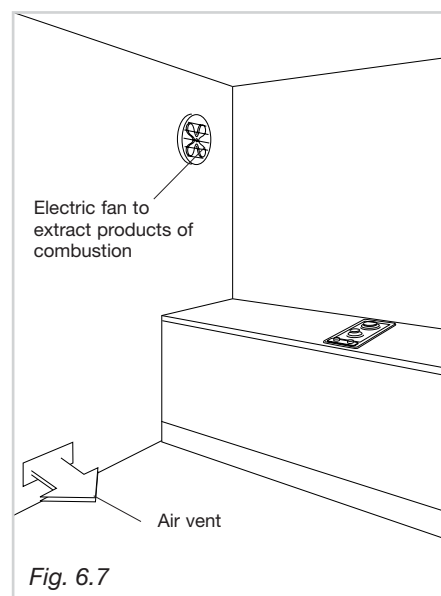


Fig. 6.7

DISCHARGING PRODUCTS OF COMBUSTION

Extractor hoods connected directly to the outside must be provided, to allow the products of combustion in the gas appliance to be discharged (fig. 6.6).

If this is not possible, an electric fan may be used, attached to the external wall or the window; the fan should have a capacity to circulate air at an hourly rate of 3-5 times the total volume of the kitchen (fig. 6.7).

The fan can only be installed if the room has suitable vents to allow air to enter, as described under the heading "Choosing suitable surroundings" (in compliance with the current laws in force).

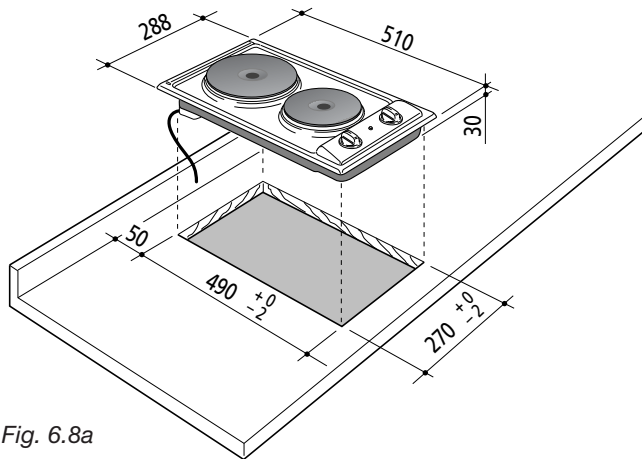


Fig. 6.8a

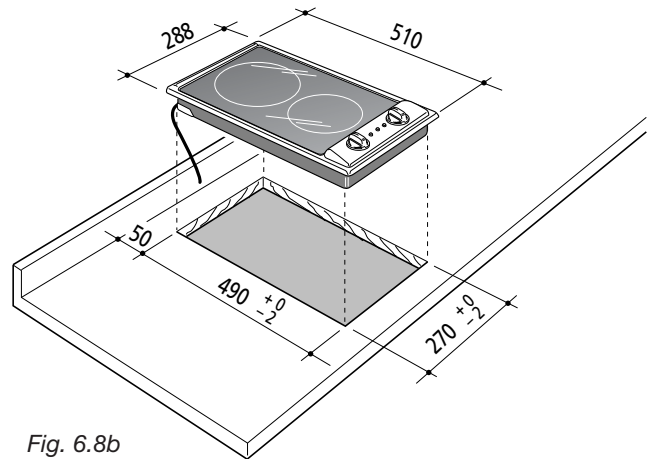


Fig. 6.8b

TECHNICAL INFORMATION FOR THE INSTALLER

Before installing the cooktop, remove the protective film.

These cooking hobs are designed to be embedded into kitchen fixtures measuring 600 mm in depth and from 20 to 40 mm thick, for 2 electrical plates hob, and from 30 to 40 mm thick for vitroc ceramic hob.

In order to install the cooker top into the kitchen fixture, a hole with the dimensions shown in figs. 6.8a and 6.8b has to be made, keeping in consideration the following:

- within the fixture, between the bottom side of the cooker top and the upper surface of any other appliance or internal shelf there must be a clearance of at least 30 mm;
- the cooker top must be kept no less than 50 mm away from any side wall;
- the cooker top must be kept at a distance of no less than 50 mm from the rear wall.
- there must be a distance of at least 650 mm between the hob and any wall cupboard or extractor hood positioned immediately above (see figs. 6.9a and 6.9b).
- the coatings of the walls of the unit or appliances near the cooktop must be heat resistant ("Y" protection against heating in compliance with standards EN 60335-2-6).

Do not instal the appliance near inflammable materials (eg. curtains).

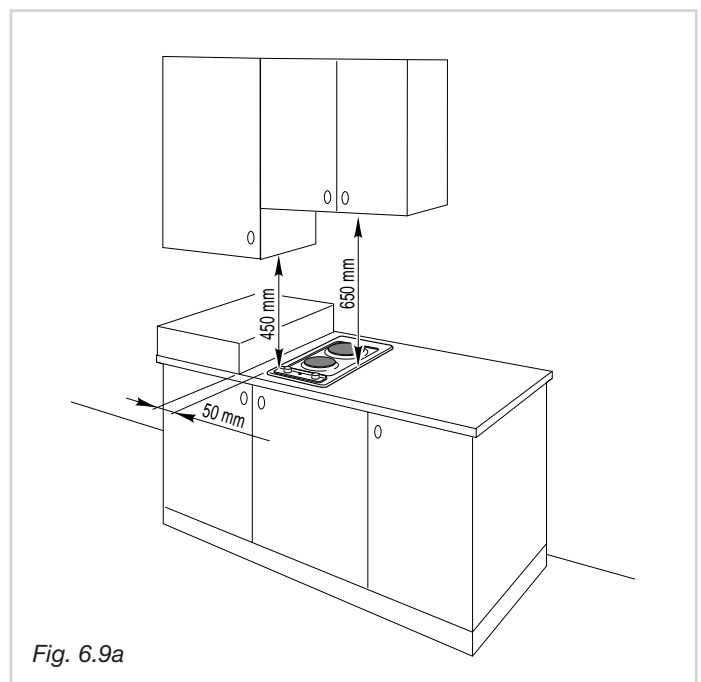


Fig. 6.9a

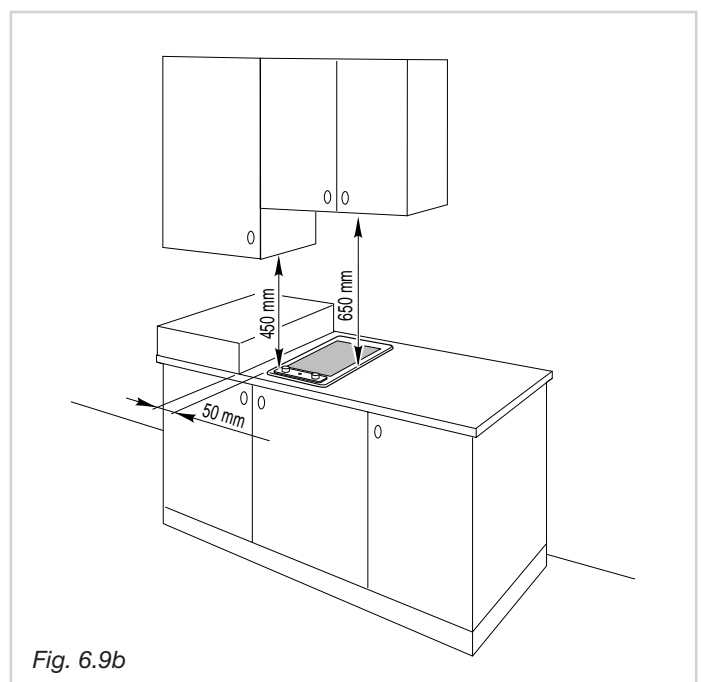


Fig. 6.9b

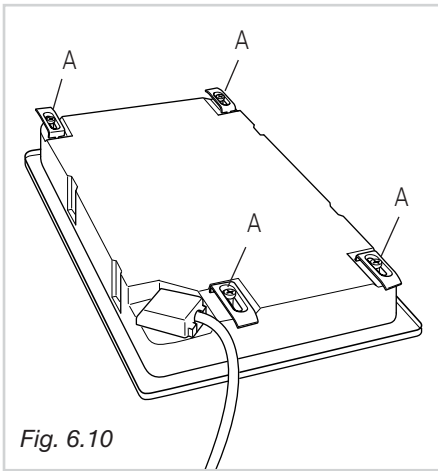


Fig. 6.10

FASTENING THE COOKTOP

Each cooker top is provided with an installation kit including brackets and screws for fastening the top to fixture panels from 20-30 to 40 mm thick, figs. 6.11 (2 electrical plates hob) e 6.12 (vitroceramic hob).

- ✓ Cut the unit.
- ✓ Stretch gasket "D" over the edge of the hole made, being careful to overlay the junction edges
- ✓ Turn the cooktop over and put tabs "A" (fig. 6.10) into the mountings, only tighten screws "B" a few turns.
Make sure that the tabs are mounted correctly as shown in the figures 6.11 and 6.12. Turn the tabs so that the cooktop can be put into the hole.
- ✓ Put the cooktop into the hole cut into the unit and position it correctly.
- ✓ Put tabs "A"; into place, tooth "C" of the tabs should go into the hole.
- ✓ Tighten screws "B" until the cooktop is completely secured.
- ✓ Using a sharp tool cut off the part of gasket "D" which protrudes from the cooktop.

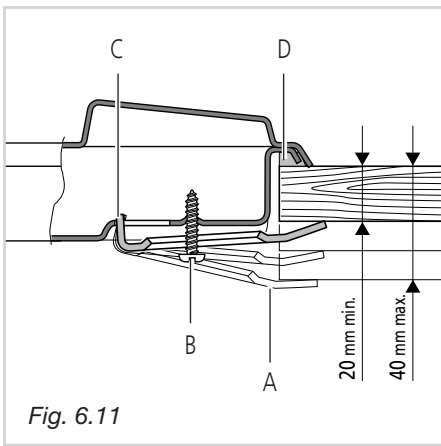


Fig. 6.11

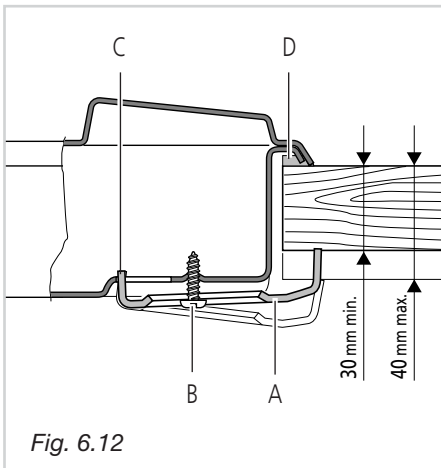


Fig. 6.12

GAS CONNECTIONS

Make sure that the hob is adapted to function with the type of gas supply available (see label). If not, refer to the section headed "Adapting the appliance to function with different types of gas".

GASES

The gases used for the operation of cooking appliances may be grouped by their characteristics into two types:

- Liquid gas: Butane gas (G 30) and Propane gas (G 31)
- Natural gas (G 20)

Connecting to gas mains:



Cat: II 2H3+

The cooktop connection (fig. 7.1a - 7.1b) is made up as follows:

- ✓ 1 nipple "A"
- ✓ 1 union elbow "C"
- ✓ gaskets "F"
- ✓ 1 conical elbow "G"

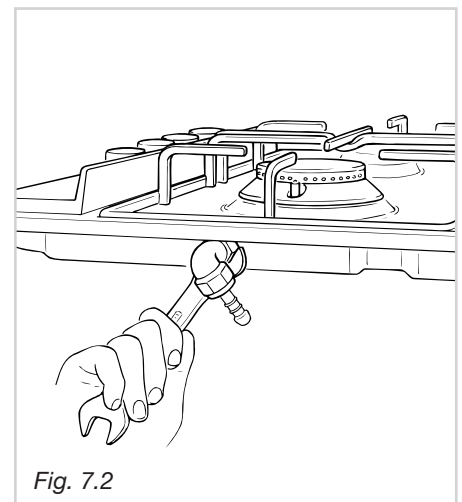
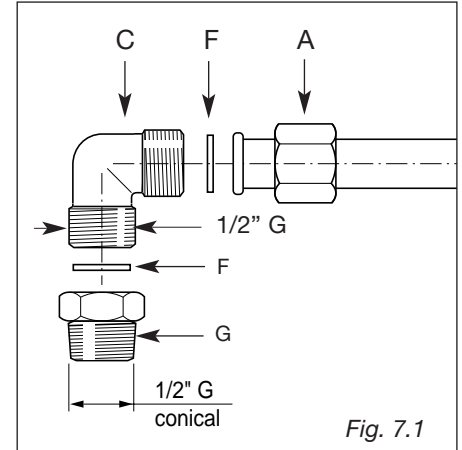
Connection to the gas main must be performed by a qualified technician, in compliance with the current laws in force.

Before connecting the appliance to the gas main, mount conical elbow "G" (supplied with appliance) onto the union elbow "C," upon which the gasket "F" has been placed.

To maintain the thickness of 3 cm, the hob is fitted with a channel to contain the connection pipe.

The gas inlet union can be turned in the direction required after the union elbow C - nipple A connection has been slackened (Fig. 7.2).

Never put it in the horizontal or vertical position.



IMPORTANT:

- ✓ Never turn union C using force without first slackening nut A.
- ✓ Gaskets F (Fig. 7.1) guarantee the seal of the gas connection.
Replace them whenever they are even slightly deformed or imperfect.
- ✓ Any connection to fixed metal pipes must be done in such a way so as not to place undue stress on the hob chassis.
- ✓ If using flexible metal pipes, make sure they are not squashed, and do not come into contact with moving parts.
- ✓ Any flexible pipes must be so installed as to be easily inspected along their whole length. They must be changed before the expiry date (printed on the pipe itself) and not exceed 2 metres in length.
- ✓ After connecting to the gas mains, check that the couplings are correctly sealed, using soapy solution, but never a naked flame.

ADAPTING THE APPLIANCE TO FUNCTION WITH DIFFERENT TYPES OF GAS

If a gas different from that indicated on the label is used, adapt the cooktop to this new function.

Every cooking hob is provided with a set of injectors for the various types of gas.

Injectors not supplied can be obtained from the After-Sales Service.

Select the injectors to be replaced according to the table below.

The nozzle diameters, expressed in hundredths of a millimetre, are marked on the body of each injector.

Cat: II 2H3+	NOMINAL POWER	REDUCED POWER	G30/G31 28-30/37 mbar	G20 20 mbar
BURNERS	[Hs - kW]	[Hs - kW]	Ø injector [1/100 mm]	Ø injector [1/100 mm]
Semi-rapid (SR)	1,75	0,45	65	97
Rapid (R)	3,00	0,75	85	115
Triple ring (TR)	3,50	1,50	95	135

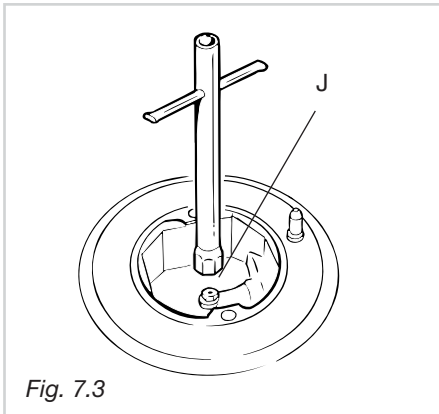


Fig. 7.3

OPERATIONS TO BE PERFORMED WHEN SUBSTITUTING THE INJECTORS

- ✓ Remove the gratings, the burner covers and the knobs;
- ✓ Using a wrench substitute the nozzle injectors "J" (Fig. 7.3 - 7.4) with those most suitable for the kind of gas for which it is to be used.

The burner are conceived in such a way so as not to require the regulation of the primary air.

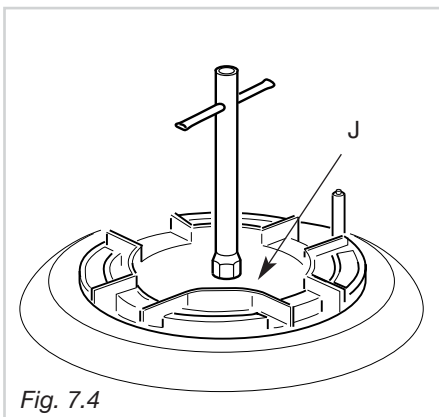


Fig. 7.4

REGULATING THE BURNER MINIMUM SETTING

When switching from one type of gas to another, the minimum flow rate must also be correct: the flame should not go out even when passing suddenly from maximum to minimum flame.

To regulate the flame follow the instructions below:

- Light the burner
- Set the cock valve to minimum

On gas valves provided with adjustment screw in the centre of the shaft (fig. 7.5):

- Using a screwdriver with max. diameter 3 mm, turn the screw inside the tap until the correct setting is obtained.

On gas valves provided with adjustment screw on the valve body (fig. 7.6):

- Turn the screw "A" to the correct setting with a screwdriver.

For G 30/G 31 gas, tighten the adjustment screw completely.

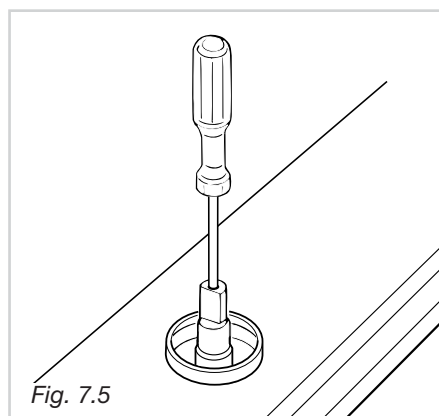


Fig. 7.5

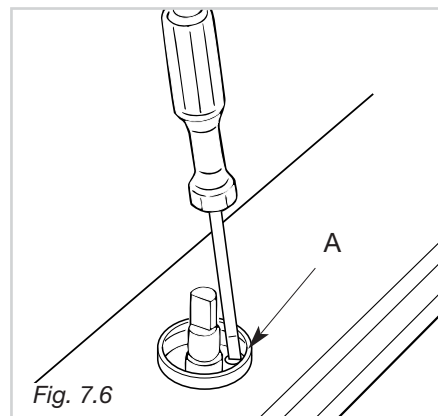


Fig. 7.6

LUBRICATING THE GAS TAPS

If one of the gas taps becomes difficult to turn, dismantle it, thoroughly clean with petrol and apply special high-temperature grease.

These operations must be performed by a specialised engineer.

IMPORTANT: Installation has to be carried out according to the instructions provided by the manufacturer. Incorrect installation might cause harm and damage to people, animals or objects, for which the manufacturer accepts no responsibility.

DETAILS

- ✓ Connection to the electric power supply must be carried out by a qualified technician and following the appropriate safety regulations;
- ✓ Before carrying out the connection to the power supply, the voltage rating of the appliance (stamped on the appliance identification plate) must be checked for correspondence to the available mains supply voltage, and the mains electric wiring should be capable of handling the cooker's power rating (also indicated on the identification plate);
- ✓ The appliance is supplied without a power supply plug and therefore if you are not connecting directly to the mains, a standardized plug suitable for the load must be fitted.
- ✓ The power point must be connected to a suitable earth wiring, in conformity to current safety regulations.
- ✓ The colours of the wires in the hob power cable may not correspond with the colours marked on the terminals of your electrical plug. The plug should in any case be wired as follows:
 - connect the green/yellow wire to the terminal marked with the letter PE or the earth symbol or coloured green/yellow;
 - connect the blue wire to the terminal marked with the letter N or coloured black;
 - connect the brown wire to the terminal marked with the letter L or coloured red.
- ✓ It is possible to connect the appliance directly to the mains supply by means of a heavy duty switch with 3 mm minimum distance between the contacts.
- ✓ The power supply cord must not touch against any hot surfaces and must be placed so that its temperature does not exceed 75°C at any point along its length.
- ✓ After having installed the appliance, the power switch or power plug must always be in a accessible position.
- ✓ The appliance must have its own supply; any other appliances installed near it must be supplied separately.
- **N.B. For connections to the mains power supply, never use adaptors, reductions or multiple power points as these may overheat and catch fire.**

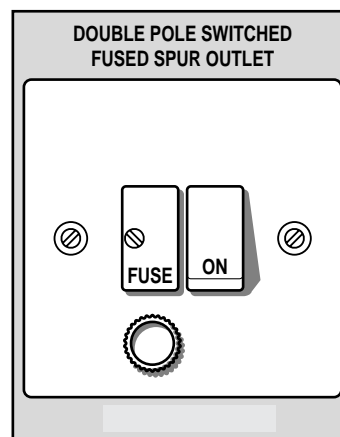
In the event that installation should require modifications to the mains supply wiring system, it is recommended that a qualified technician be called to carry out substitution. The technician will also have to verify that the cross-section of the electric cables on the power point match the appliance's power rating.

Connection to a good earth wiring system is absolutely essential. The manufacturer accepts no responsibility for any inconvenience caused by failure to comply with this rule.

A double pole switch must be provided no further than 2 metres from the appliance to the electrical supply.

If you are using the hob for the first time, or after a period of dis-use, you should set the controls to position 1 for approximately 30 seconds, to dry out any humidity.

This appliance must be connected by a competent person, using fixed wiring via a DOUBLE POLE SWITCHED FUSED SPUR OUTLET.



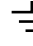
for gas hobs use a **3 amp FUSE**
for electric hobs use a **20 amp FUSE**

We recommend that the appliance is connected by a qualified electrician, who is a member of the N.I.C.E I C. and who will comply with the I.E.E. and local regulations.

The wires in the mains lead are coloured in accordance with the following code:

Green & Yellow = Earth
Blue = Neutral
Brown = Live.

As the colours of the wires in the mains lead for the appliance, may not correspond with the coloured markings identifying the terminals in your spur box, proceed as follows:

- 1) The wire which is coloured green and yellow must be connected to the terminal marked **E** (Earth) or  coloured Green.
- 2) The wire which is coloured blue must be connected to the terminal marked **N** (Neutral), or coloured Black.
- 3) The wire which is coloured brown must be connected to the terminal marked **L** (Live), or coloured Red.

Before carrying out any work on the electrical section of the appliance, it must be disconnected from the mains.

If the hob surface is cracked disconnect the appliance from the mains.

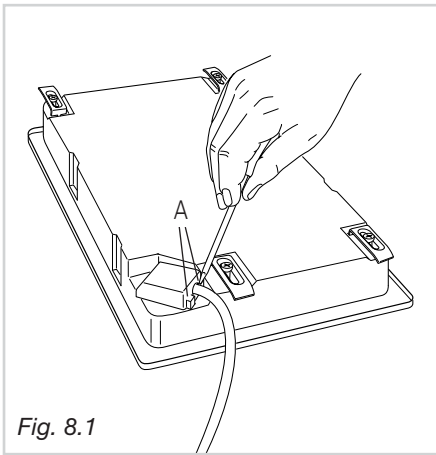


Fig. 8.1

REPAIRS

REPLACING THE POWER SUPPLY CABLE (for 2 electrical plates and vitroceramic models)

Turn the cooktop over and unhook the terminal board cover by inserting a screwdriver into the two hooks "A" (fig. 8.1).

Open the cable gland by unscrewing screw "F" (fig. 8.2), unscrew the terminal screws and remove the cable.

The new supply cable, of suitable type and section, is connected to the terminal board following the diagram fig. 8.3.

REPLACING THE POWER SUPPLY CABLE (for gas models)

- The supply cable must be replaced with a cable of the same type.
- The electrical cable must be connected to the terminal board following the diagrams of fig. 8.4.

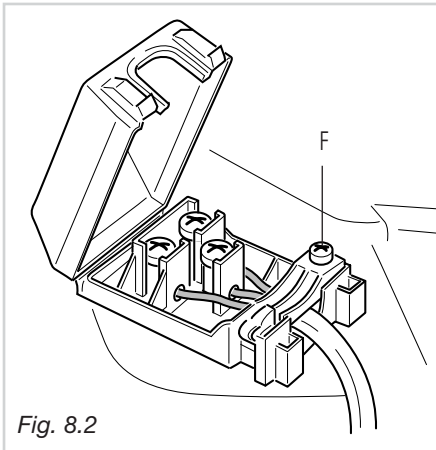


Fig. 8.2

FEEDER CABLE SECTION

COOKING HOB GAS

type "H05V2V2-F"

resistance to temperatures of 90°C

230 V~ 3 x 0,75 mm²

COOKING HOB ELECTRIC HOTPLATES

The external diameter of the supply cable must not be more than 9 mm.

tipo "H05RR-F"

230 V~ 3 x 1,50 mm²

COOKING HOB VITROCERAMIC

The external diameter of the supply cable must not be more than 9 mm.

tipo "H05RR-F"

230 V~ 3 x 1,50 mm²

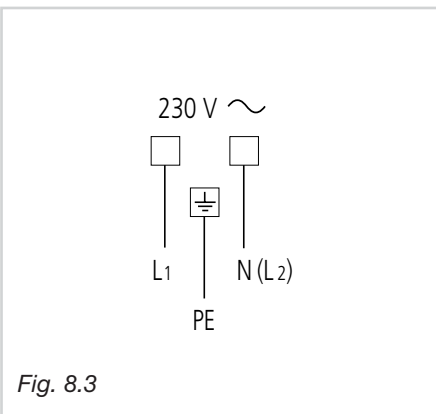


Fig. 8.3

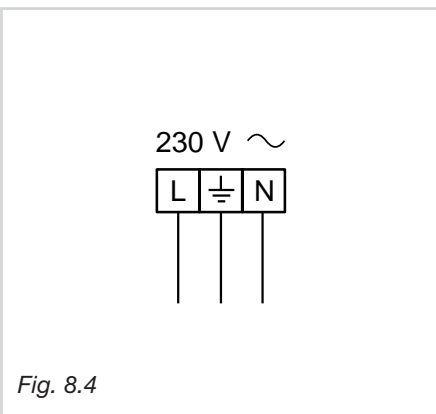


Fig. 8.4

Importante: A instalação deve ser efetuada conforme as instruções do fabricante. Uma instalação errónea pode causar danos às pessoas, animais ou coisas e de fronte a tais acontecimentos o fabricante não pode ser considerado responsável.

LIGAÇÃO À REDE ELÉCTRICA

- ✓ A ligação à rede eléctrica deve ser feita por técnicos qualificados e em conformidade com as normas vigentes.
- ✓ Antes de mais, é necessário verificar se a tensão de rede corresponde ao valor indicado na chapa de características do aparelho e se a secção dos cabos da instalação eléctrica tem capacidade para suportar a carga indicada na mesma chapa.
- ✓ No caso do aparelho ser fornecido sem ficha, é necessário montar uma ficha normalizada, adequada à potência absorvida pelo aparelho e conforme as normas locais vigentes.
- ✓ A ficha bipolar deve ser inserida numa tomada que esteja ligada ao sistema de terra conforme as normas de segurança.
- ✓ Dado que as cores dos núcleos do cabo de alimentação deste aparelho podem não corresponder com as marcações coloridas que identificam os bornes da vossa tomada, proceder como segue:
 - O núcleo que é colorido de amarelo/verde deve ser conetado ao borne da tomada marcada com a letra PE ou com o símbolo de terra ou colorido de verde ou amarelo/verde;
 - O núcleo de cor azul deve ser conetado ao borne marcado com a letra N ou colorido de preto;
 - O núcleo colorado de marron deve ser conetado ao borne marcado com a letra L ou colorido de vermelho;
- ✓ Pode-se fazer a ligação directa do aparelho à rede, colocando, entre o aparelho e a rede eléctrica, um interruptor omnipolar com abertura mínima entre os contactos de 3 mm.
- ✓ O cabo de alimentação não deve entrar em contacto com partes quentes e deverá ser colocado de maneira a não exceder, em toda a sua extensão, a temperatura de 75°C.
- ✓ Depois do aparelho montado, o interruptor ou a tomada devem estar sempre em posição acessível.
- ✓ O aparelho deve ser alimentado individualmente; outros eventuais aparelhos instalados nas proximidades devem ser alimentados separadamente.
- **NOTA: Para a ligação à rede, não utilize adaptadores, reduções ou caixas de derivação, porque podem provocar um aquecimento excessivo ou queimaduras.**
- **Quando for constatada uma rachadura na superfície do fogão, desligar o aparelho da rede.**

Se, para a montagem do aparelho, for necessário fazer alterações à instalação eléctrica de casa ou no caso de incompatibilidade entre a tomada e a ficha do aparelho, contacte um técnico profissionalmente qualificado para proceder às substituições.

Este último deverá ainda, e nomeadamente, verificar se a secção dos cabos da tomada é adequada à potência absorvida pelo aparelho.

É obrigatório o coligamento do aparelho com a instalação terra.

A casa fabricante se esquia de qualquer responsabilidade pela inconveniência derivada pela falta de observação desta norma.

Antes de efectuar qualquer intervenção na parte eléctrica do aparelho, é absolutamente obrigatório interromper a ligação à rede eléctrica

REPARAÇÕES

SUBSTITUIÇÃO DO CABO DE ALIMENTAÇÃO (mod. placas eléctricas e placas vitroceramica)

Coloque a placa de cozedura com o fundo voltado para cima e abra a tampa da caixa de terminais, inserindo uma chave de parafusos nos dois engates "A" (fig. 8.1).

Abra o elemento de fixação do cabo, desapertando o parafuso "F" (fig. 8.2). Desaperte os parafusos dos terminais e retire o cabo.

O novo cabo de alimentação, que deve ser de tipo e secção adequados, tem de ser ligado à caixa de terminais de acordo com o esquema fig. 8.3.

SUBSTITUIÇÃO DO CABO DE ALIMENTAÇÃO (mod. placas a gas)

- ✓ O cabo de alimentação deve ser substituído com outro cabo do mesmo tipo daquele montado no aparelho.
- ✓ O cabo eléctrico deve ser ligado à bateria de terminais segundo o esquema ilustrado na fig. 8.4.

SECÇÃO DOS CABOS DE ALIMENTAÇÃO

PLACAS A GAS

tipo "H05V2V2-F" resistentes à temperatura de 90°C

230 V~ 3 x 0,75 mm²

PLACAS ELÉCTRICA

O diâmetro externo do cabo de alimentação não deve ultrapassar 9 mm.

tipo "H05RR-F"

230 V~ 3 x 1,50 mm²

PLACAS VITROCERAMICA

O diâmetro externo do cabo de alimentação não deve ultrapassar 9 mm.

tipo "H05RR-F"

230 V~ 3 x 1,50 mm²

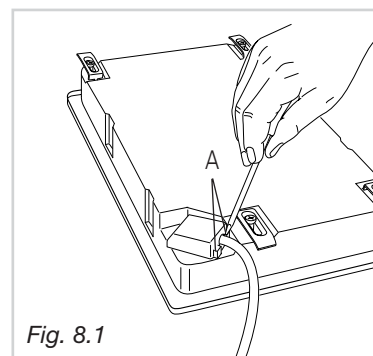


Fig. 8.1

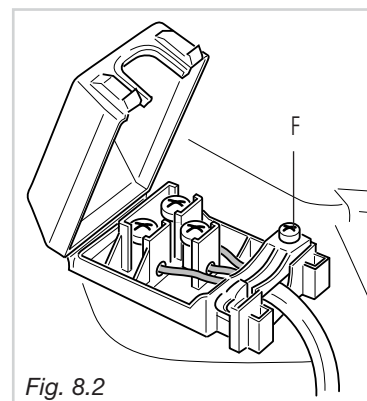


Fig. 8.2

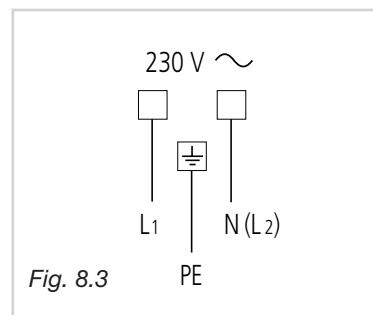


Fig. 8.3

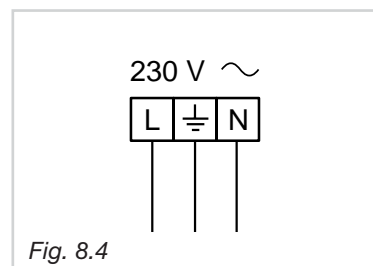


Fig. 8.4

Free Manuals Download Website

<http://myh66.com>

<http://usermanuals.us>

<http://www.somanuals.com>

<http://www.4manuals.cc>

<http://www.manual-lib.com>

<http://www.404manual.com>

<http://www.luxmanual.com>

<http://aubethermostatmanual.com>

Golf course search by state

<http://golfingnear.com>

Email search by domain

<http://emailbydomain.com>

Auto manuals search

<http://auto.somanuals.com>

TV manuals search

<http://tv.somanuals.com>