

# HCC570 ceramic hob

**Manual for Installation, Use and Maintenance**

**|C|D|A|**





## Contents:

- 1 Important notes
- 2 User information
- 3 Using your hob
- 4 Efficient use of your hob
- 5 Care and maintenance
- 6 Mains Electricity Connection
- 7 Fitting the hob
- 8 How to install the hob

## Important

The CDA Group Ltd cannot be held responsible for injuries or losses caused by incorrect use or installation of this product. Please note that CDA reserve the right to invalidate the guarantee supplied with this product following incorrect installation or misuse of the appliance or use in a commercial environment.

This appliance is not designed to be used by people (including children) with reduced physical, sensorial or mental capacity, or who lack experience or knowledge about it, unless they have had supervision or instructions on how to use the appliance by someone who is responsible for their safety.

Under no circumstances should any external covers be removed for servicing or maintenance except by suitably qualified personnel.

### Appliance information:

Please enter the details on the appliance rating plate below for reference, to assist CDA Customer Care in the event of a fault with your appliance and to register your appliance for guarantee purposes.

Appliance Model	<input type="text"/>
-----------------	----------------------

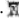
Serial Number	<input type="text"/>
---------------	----------------------

### CE Declarations of Conformity:

This appliance has been manufactured to the strictest standards and complies with all applicable legislation, including Electrical safety (LVD) 2006/95/EC and Electromagnetic interference compatibility (EMC) 2004/108/EC. Parts intended to come into contact with food conform to 89/109/EC.

### IMPORTANT INFORMATION FOR CORRECT DISPOSAL OF THE PRODUCT IN ACCORDANCE WITH EC DIRECTIVE 2002/96/EC.

At the end of its working life, the product must be taken to a special local authority waste collection centre or to a dealer providing appliance recycling services.

Disposing of a household appliance separately avoids possible negative consequences for the environment and health. It also enables the constituent materials to be recovered, saving both energy and resources. As a reminder of the need to dispose of household appliances separately, the product is marked with a crossed-out wheeled dustbin. 

## User information

### Please note:

- Ceramic hobs become hot and remain hot during and immediately after use. Do not touch the hob until it has been allowed to cool.
- Keep children away from the appliance when in use.
- Never put cooking foil or plastic materials on the ceramic surface when the hob is hot. These materials could melt and cause damage to the hob.
- Never use the hob top for storage.
- Pan handles should never stand out beyond the edge of the worktop. This will ensure children cannot reach them.
- Do not use pans with rough bases (e.g. cast iron) as these may scratch the hob surface.
- Do not switch on the zones without cookware in place.
- Do not lean over the hob when it is in use.
- Follow the cleaning instructions carefully.
- Ensure the base of the saucepan is clean and dry before placing it on the hob to prevent damage to the surface of the hob.
- After use, please ensure that the control knobs are in the 'Off' position.
- This hob (Class 3) has been designed for use only as a cooking appliance. Any other use (e.g. heating rooms) should be considered incorrect and therefore dangerous.
- The appliance is not intended to be operated by any means of an external timer or separate remote-control system.

### Important

- Do not use the hob if the glass surface is cracked or damaged to prevent risk of electric shock. Disconnect it from the power supply.

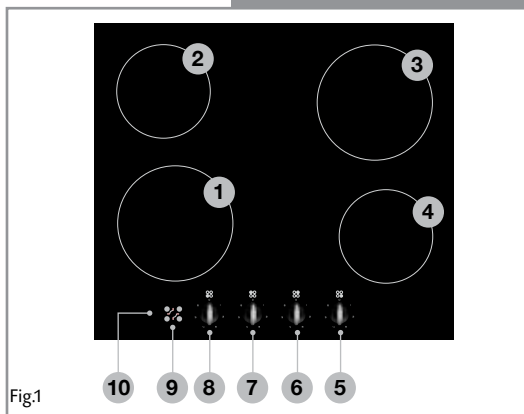
## Using your hob

### Zones:

1. Front left 1.7 kW 180 mm
2. Back left 1.2 kW 145 mm
3. Back right 1.7 kW 180 mm
4. Front right 1.2 kW 145 mm

### Control panel:

5. Front right zone control
6. Back right zone control
7. Back left zone control
8. Front left zone control
9. Residual heat indicator lights
10. Power indicator light



### Residual heat indicator:

To warn when the zone is still hot after the power is switched off, the residual heat indicator will be lit for that zone. Once the zone has cooled down to a safe temperature, the residual heat indicator will switch off.

### Regulating the temperature:

The power level for each zone can be regulated by turning the relevant control knob to select the desired heat level. The table below offers guidance as to what each switch position is for.

Heat setting	Description
1	Very gentle
2	Gentle
3	Slow
4	Medium
5	High
6	Very high

The 'OFF' position is indicated by the symbol '0'.

The indicator will light when the hotplate is in use.

When you have finished cooking, check to ensure that the zones are switched off and the indicator is not lit.

## Efficient Use of your Hob

The hob is equipped with zones of different sizes, designed to accommodate most shapes and sizes of pan. For best results, only use pans with flat bottoms and choose an appropriate zones depending on the size of the pan. The most efficient use of the hob is shown below, where the pan and zones are correctly chosen.

Use pan lids where possible to minimize the energy usage of your appliance.

Turn off each zone a few minutes before the end of cooking time. The residual heat in the zones will continue to cook the food for the remaining cooking time.

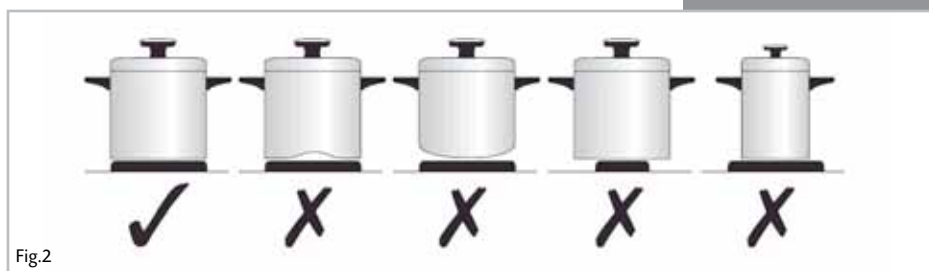


Fig.2

Zone Size	Minimum Pan Size (cm)	Maximum Pan Size (cm)
145mm	12	16
180mm	16	20

It is very important that the pans used on the hob are made of a suitable material and have the correct type of base. The base should be flat and smooth, as any rough part on the pan base could scratch the ceramic hob top.

Choose pans which are between the sizes recommended in the table above, and with bases that are as non-reflective as possible, e.g. dull and dark.

Only pans recommended for use on ceramic hobs should be used.

## Care and Maintenance

Always disconnect the appliance from the power supply before undertaking any cleaning or maintenance.

You should use a non-abrasive cleaner to clean the hob top. Any abrasive cleaner (including Cif) will scratch the surface and could erase the control panel markings.

Types of residues	Clean with	Cleaning advice
Light	Cleaning sponge and soft cloth	Wipe over the zone to be cleaned with a sponge and hot water, and then wipe off with a soft dry cloth.
Accumulated baked-on stains/ dirt, sugar spills or melted plastics	Cleaning sponge or glass scraper and soft cloth	Wipe over the zone to be cleaned with a sponge and hot water, using a ceramic scraper to remove any large marks or stains and then wipe off with a soft dry cloth.
Rings and hard water residues	White vinegar and soft cloth	Pour a small amount of warm white vinegar onto the stain, leave it to stand, and then wipe off with a soft dry cloth.

### Important:

- Steam cleaners must not be used when cleaning this appliance.

**Mains electrical voltage:** 230 – 240Vac, 50 Hz

**Total rated electrical consumption:** 5.8 kW

### If your Hob is not working:

1. Check that the control knobs are switched on.
2. Check that the mains supply has not been switched off.
3. Check that the fuse in the consumer unit has not blown.

## Mains Electricity Connection

### Warning! This appliance must be earthed

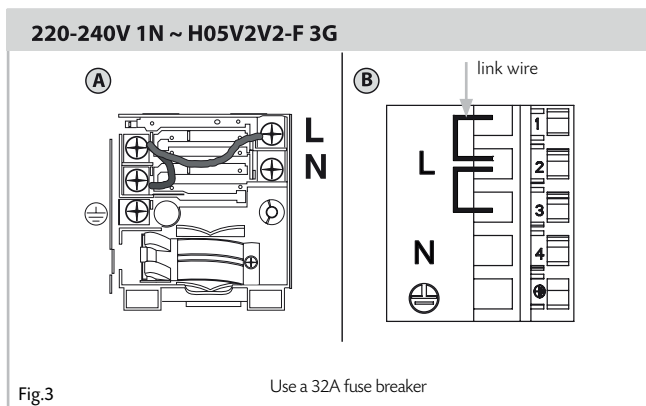
We recommend that the appliance is connected by a qualified electrician, who is a member of the N.I.C.E.I.C. and who will comply with the I.E.E. and local regulations.

**This appliance is intended to be connected to fixed wiring and is not suitable for connection to a 13A plug or 13A supply.**

This appliance is intended to be connected to fixed wiring by a double pole switch, having a contact separation of at least 3mm in all poles. The switch must be positioned no further than 2m from the appliance.

### Please note:

- This appliance is intended to be connected to the mains supply with a cable of cross section area 2.5 mm<sup>2</sup>. A larger cable may not fit the terminal connections.
- The marking of the current rating of the fuse or circuit breaker protecting this appliance should be marked on the socket outlet.
- Assembly and electrical connection should be carried out by specialised personnel.
- When installing this product we recommend you seek the help of another individual.





## Fitting the Hob

### Unpacking the hob:

Take care not to lose or mishandle any parts.

### Fitting position of the hob:

This appliance must be installed a minimum of 50mm from any back wall and a minimum of 190mm away from any adjacent vertical surfaces, e.g. a tall cupboard end panel. This may be reduced to 100mm if the adjacent surface is resistant to fire (tiles or steel, for example). These dimensions are shown in Fig.4.

### If fitting a cooker hood above the hob:

If a cooker hood is to be installed above the hob, the height of the hood above the hob must be at least 600mm (650mm is recommended) (Fig.5). If the instructions supplied with the hood dictate that the hood must be installed at a height greater than 600mm, then that height is the minimum required.

### Wall furniture requirements:

The minimum height of any cabinet immediately above the hob is 900mm. The minimum height of any adjacent units (including light pelmets) is 400mm, unless they are manufactured from a material resistant to fire (steel, for example)

### Notes:

- Do not position this appliance above a refrigeration unit. The heat generated may cause the refrigeration unit to fail.
- This appliance is designed to be installed into cabinet units capable of withstanding temperatures of 65°C or greater above ambient temperature.
- If there is no oven to be built in below the hob, an isolation shelf should be fitted to protect the user from high temperatures. If the hob is to be installed above a working drawer, then a partition should be fitted to protect the contents and user from the heat generated during use. This should be fitted 100mm below the hob.
- Never place perishable foods in the cupboard below the appliance.

## How to Install the Hob

### How to install the hob:

Overall dimensions of the hob: Width: 580mm Depth: 510mm

Worktop cut-out dimensions: Width: 560mm Depth: 490mm

1. Make the required hole in the worktop. Note that before doing this, check the instructions supplied with any cooker hood to ensure that you will have the required clearance. The cut-out (Fig 4) shows a 61.5mm gap from the wall to the cut-out edge. The distance for the hob, when fitted, to the back wall is 50mm.
2. Position the hob seal, as shown in the diagram below (Fig 6), ensuring that the ends meet without overlapping. Do not use silicone type sealant.
3. Secure the hob to the worktop using the fixing brackets and screws supplied, as shown in the following diagram (Fig 7). Remove any excess sealant after tightening the brackets.

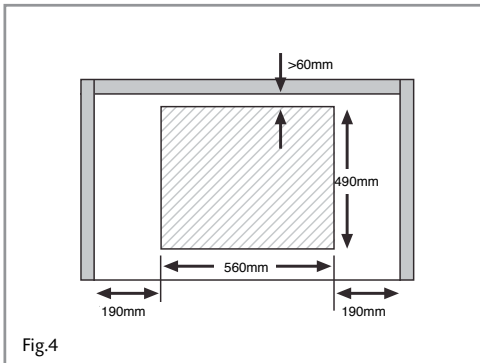


Fig.4

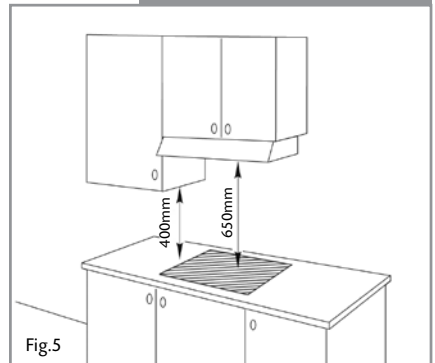


Fig.5

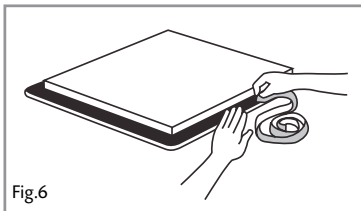


Fig.6

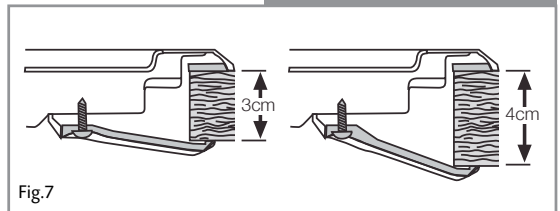


Fig.7





To contact our Customer Care Department, or for Service,  
please contact us on the details below.

## Free Manuals Download Website

<http://myh66.com>

<http://usermanuals.us>

<http://www.somanuals.com>

<http://www.4manuals.cc>

<http://www.manual-lib.com>

<http://www.404manual.com>

<http://www.luxmanual.com>

<http://aubethermostatmanual.com>

Golf course search by state

<http://golfingnear.com>

Email search by domain

<http://emailbydomain.com>

Auto manuals search

<http://auto.somanuals.com>

TV manuals search

<http://tv.somanuals.com>