

|C|D|A|

Dual fuel cooker

RV 700 ..



**Users Operating Instructions
Installation instructions**

Before operating this cooker,
please read these instructions carefully

Dear Customer

Thank you for choosing one of our appliances, carefully designed and built by our specialist staff and thoroughly tested to satisfy your cooking requirements.

We suggest that you read this Instruction Booklet so that you will understand fully how to operate your appliance.

Please keep the booklet handy. You may wish to refer to it at a later date.

CDA

Important:

This appliance is designed and manufactured solely for the cooking of domestic (household) food and is not suitable for any non domestic application and therefore should not be used in a commercial environment.

The appliance guarantee will be void if the appliance is used within a non domestic environment i.e. a semi commercial, commercial or communal environment.

Contents

Dual fuel cooker RV 700 ..

Page Number

Introduction	4
Features and technical data	5
Control panel	6
Clock and timer with "Touch-Control" keys	7
How to use the hob burners	10
How to use the Fan oven (bottom main oven)	13
How to use the Convection oven (top oven)	16
Do's and do not's	20
Important notes	21
Care and maintenance	22

For the installer

Location	33
Backguard	35
Moving the cooker	36
Provision for ventilation	37
Gas installation	38
Gas connection	39
Conversion to Natural Gas or to LPG	41
Lubrication of the gas taps	43
Electrical installation	44
Appliance servicing	46
Guarantee	47

Introduction

Congratulations on your purchase of this **CDA cooker** which has been carefully designed and produced to give you many years of satisfactory use.

Before using this appliance it is essential that the following instructions are carefully read and fully understood.

We would emphasise that the installation section must be fully complied with for your safety to ensure that you obtain the maximum benefits from your appliance.

IMPORTANT INFORMATION FOR CORRECT DISPOSAL OF THE PRODUCT IN ACCORDANCE WITH EC DIRECTIVE 2002/96/EC.

At the end of its working life, the product must not be disposed of as urban waste. It must be taken to a special local authority differentiated waste collection centre or to a dealer providing this service.

Disposing of a household appliance separately avoids possible negative consequences for the environment and health deriving from inappropriate disposal and enables the constituent materials to be recovered to obtain significant savings in energy and resources. As a reminder of the need to dispose of household appliances separately, the product is marked with a crossed-out wheeled dustbin.



Declaration of CE conformity

- ✓ This cooker has been designed, constructed and marketed in compliance with:
 - Safety requirements of EU Directive "Gas" 90/396/EEC;
 - Safety requirements of EU Directive "Low Voltage" 2006/95/EC;
 - Protection requirements of EU Directive "EMC" 89/336/EEC;
 - Requirements of EU Directive 93/68/EEC.



Features and technical data

Gas burners

- | | |
|----------------------------|---------|
| 1. Auxiliary burner (A) | 1,00 kW |
| 2. Semi-rapid burner (SR) | 1,75 kW |
| 3. Rapid burner (R) | 3,00 kW |
| 4. Triple-ring burner (TC) | 3,50 kW |

Note:

The electric ignition is incorporated in the knobs.

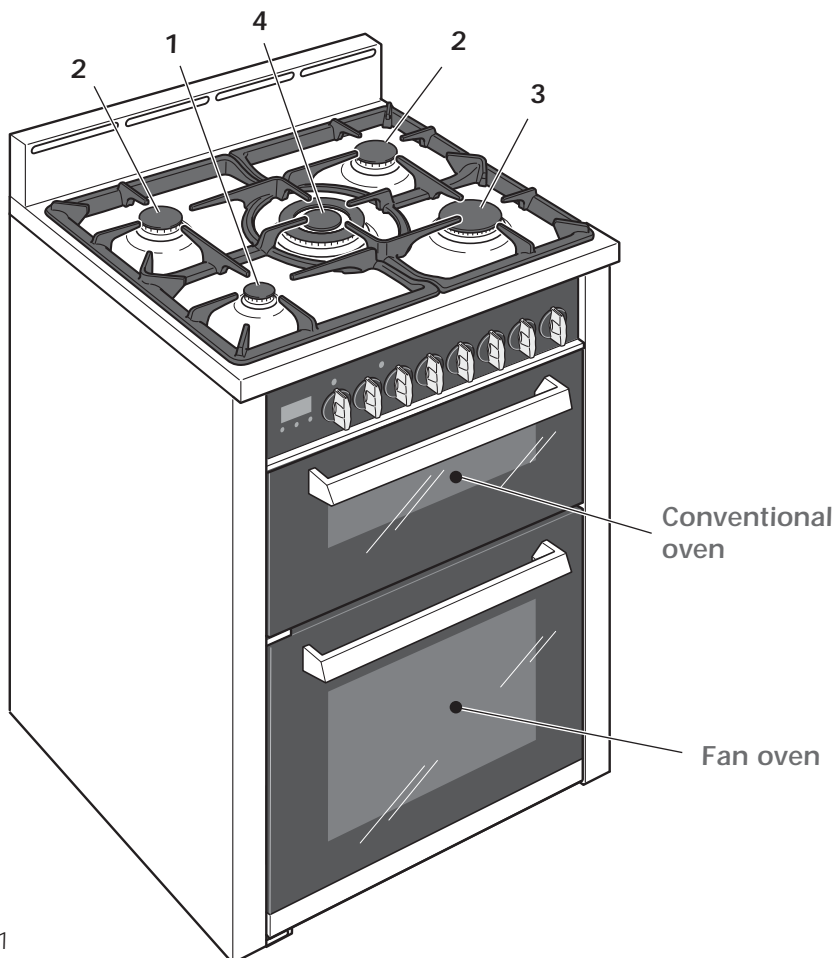
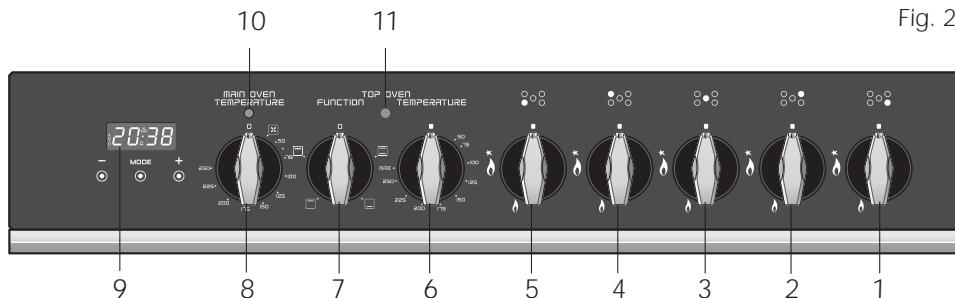


Fig. 1

Control panel

Fig. 2



Control panel - Controls description

1. Front right rapid burner control knob (3)
2. Rear right semi-rapid burner control knob (2)
3. Central triple-ring burner control knob (4)
4. Rear left semi-rapid burner control knob (2)
5. Front left auxiliary burner control knob (1)
6. Conventional oven thermostat knob (top oven)
7. Conventional oven switch knob (top oven)
8. Fan oven switch/thermostat knob (bottom main oven)
9. Electronic programmer (bottom main oven only)

Pilot lamps:

10. Bottom main oven temperature indicator light
11. Top oven temperature indicator light

Please note: This appliance incorporates a safety cooling fan which you will hear operating whenever the oven or grill are in use. The cooling fan may also operate when the oven is switched off. This fan is to reduce the external temperature of the appliance and cool the internal components.

Clock and timer with "Touch-Control" keys

(Bottom main oven only)

keys

+ and - Touched simultaneously (for more than 2 seconds):

- setting the clock;
- setting the timer volume (by touching once, along with the "MODE" key);
- to cancel automatic cooking at any time.

MODE Function selection (touched for more than 2 seconds):

- setting the clock (only after first connection or after a power failure);
- timer;
- automatic cooking "dur" (duration) - how long the food will take to cook (by touching the "MODE" key again);
- automatic cooking "End" - the time you would like the oven turns off (by touching the "MODE" key two more times);

+ Increases the number shown on the display

- Decreases the number shown on the display



Fig. 3

Illuminated symbols:

AUTO **flashing** - automatic cooking completed, oven in automatic position but not set

AUTO **steady illumination** - oven set for automatic cooking, cooking still not taking place

"🔔" **flashing** - timer being set

"🔔" **steady illumination** - timer in operation

"🔥" **steady illumination** - oven set for manual cooking

"🔥" and AUTO **AUTO flashing** - automatic cooking being set

"🔥" and AUTO **steady illumination** - oven set for automatic cooking, cooking taking place.

“TOUCH-CONTROL” keys

The “touch-control” keys shall be operated by the fingers (just by touching the key). When using touch controls it is best to use the ball of your finger rather than the tip.

The keys are automatically deactivated:

- 8 seconds after the last selection; the deactivation is indicated by an acoustic signal (“beep”).

To reactivate just touch the “**MODE**” key or the “+” and “-” keys (simultaneously) for more than 2 seconds.


Setting the clock

When first connected, or after a power failure, the digits and “**AUTO**” will shown on the display. To set the clock, touch the “**MODE**” key, for more than 2 seconds, and then the “+” or “-” keys.

Important: the oven does not operate, in manual cooking, without first having set the clock.

To set the clock, with the appliance already connected, touch the “+” and “-” keys simultaneously (for more than 2 seconds), then “+” or “-” keys.

Important:




- **changing the time will delete any automatic program;**
- **after setting the clock, the oven starts to operate in the selected function (manual cooking). The “” symbol is steady illuminated.**

Using the timer

You can use the timer at any time, even when the oven is not in use.

The timer does not turn the oven off.

The timer can be set for up to 23 hours and 59 minutes.

- To set the timer, touch the “**MODE**” key for more than 2 seconds (the “” symbol flashes), than the “+” or “-” keys.
- After about 8 seconds an acoustic signal (“beep”) will sound confirming the regulation (“” symbol steady illuminated).
- To check the remaining time touch the “**MODE**” key for more than 2 seconds. If the remaining time is more than a minute the display will show hours and minutes; if less than a minute the display will show seconds.
- When the time is up, the timer will beep. Touch the “**MODE**” key , for more then 2 seconds, to turn it off; or press the “+” or “-” key to stop the beep and than the “**MODE**” key, for more than 2 seconds, to deactivate the “” symbol flashing on the display.
- Turn off the oven manually (function and thermostat knobs in the off position) if the manual cooking has been completed.

Setting the timer volume

You can select from three volume levels.

- Touch the “+” and “-” keys simultaneously for more than 2 seconds.
- Touch the “**MODE**” key; you can read on the display the current timer volume (“**ton1**”, “**ton2**” or “**ton3**”).
- Touch the “-” key to listen or change the timer volume.
- Timer volume activated: the last displayed.
- After about 8 seconds an acoustic signal (“**beep**”) will sound confirming the volume setting; then the time of day will be displayed.

Automatic cooking

Use automatic cooking to automatically turn the oven on, cook, and then turn the oven off.

1. Check the clock shows the correct time.
2. Select the function and temperature (function and temperature knobs). The oven will come on.
3. Decide how long the food will take to cook, allowing time for preheating if necessary.
4. Touch the “**MODE**” key for more than 2 seconds and then touch again. “**dur**” will show (duration). Using the “+” and “-” keys, set the cooking time.
5. Decide the time you would like the oven to turn off; touch the “**MODE**” key for more than 2 seconds and then touch it two times again. “**End**” will show. Using the “+” and “-” keys, set the cooking time.

Note: while “**dur**” is displayed you can change to “**End**” just by touching one time the “**MODE**” key (within 8 seconds from the last selection).


If there is time to wait before cooking starts, the current time of day and “**AUTO**” will show in the clock display. The oven will switch off but is now set for automatic cooking.

If you are already at home to turn the oven on and only want the oven to turn off automatically, start cooking as normal, then follow step 4 or step 5 to set a time to stop the oven.

When automatic cooking starts, “” will be displayed and the oven will turn on.

- To see the remaining cook time, follow step 4 up to display “**dur**” (duration).
- To see the set stop time, follow step 5 up to display “**End**”.
- To cancel automatic cooking at any time, touch the “+” and “-” keys simultaneously (for more than 2 seconds) and turn the temperature and function knobs to the off position.

When the stop time is reached, the oven will turn off, the timer will beep and “**AUTO**” will flash:

- Touch any key to stop the beeping.
- Touch the “**MODE**” key, for more than 2 seconds, to return the oven to the manual mode (“” symbol steady illuminated on the display).
- Turn the temperature and function knobs to the off position.

Attention: after a power failure any automatic program is deleted. Turn off the oven manually.

How to use the hob burners

Hob burners

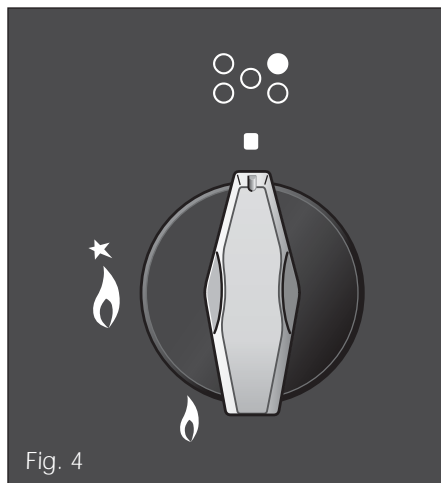
Each hob burner is controlled by a separate gas valve operated by a control knob (fig. 4) which has 3 positions marked on the control panel, these are:

– Symbol  : tap closed (burner off)

– Symbol  : High (maximum)


– Symbol  : Low (minimum)

Push in and turn the knob anti-clockwise to the selected position.



To turn the burner off, fully rotate the knob clockwise to the  OFF position:

The maximum setting of the gas valves is for boiling, the minimum setting is for slow cooking and simmering.


All working positions must be chosen between the maximum and minimum setting, never between the maximum setting and the  OFF position.

Electric ignition

The sparks generated by the electrodes close to the burners will ignite the chosen burner. Whenever the lighting of the burners is difficult due to peculiar conditions of the gas features or supply, it is advised to repeat the ignition with the knob on "minimum" position.

Lighting of the hob burners

To ignite the burner, the following instructions are to be followed:

- 1) Lightly press and turn the knob anti-clockwise, and position the knob indicator to the symbol  printed on the control panel (fig. 4).
- 2) Press the knob to operate the electric ignition; or, in the case of a mains failure light the burner with a match or lighted taper.
- 3) Adjust the burner according to the setting required.

Choice of burner

The burner must be chosen according to the diameter of the pans and energy required.

Burners	Pan diameter
Auxiliary	12 ÷ 14 cm
Semi-rapid	16 ÷ 24 cm
Rapid	24 ÷ 26 cm
Triple-ring	26 ÷ 28 cm
Wok	max 36 cm

do not use pans with concave or convex bases

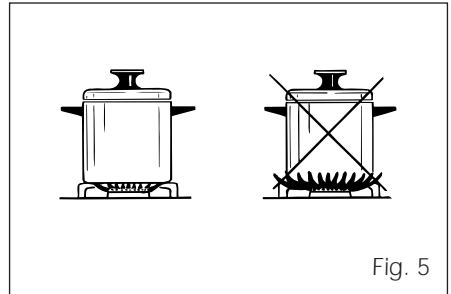


Fig. 5

Saucepans with handles which are excessively heavy, in relationship to the weight of the pan, are safer as they are less likely to tip. Pans which are positioned centrally on burners are more stable than those which are offset.

It is far safer to position the pan handles in such a way that they cannot be accidentally knocked.

When deep fat frying fill the pan only one third full of oil.

DO NOT cover the pan with a lid and **DO NOT** leave the pan unattended.

In the unfortunate event of a fire, leave the pan where it is and turn off all controls.

Place a damp cloth or correct fitting lid over the pan to smother the flames.

DO NOT use water on the fire.

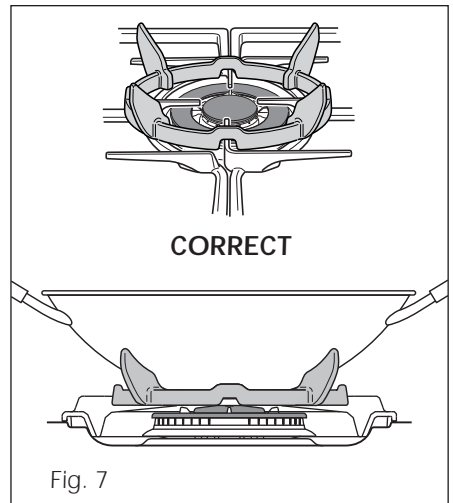
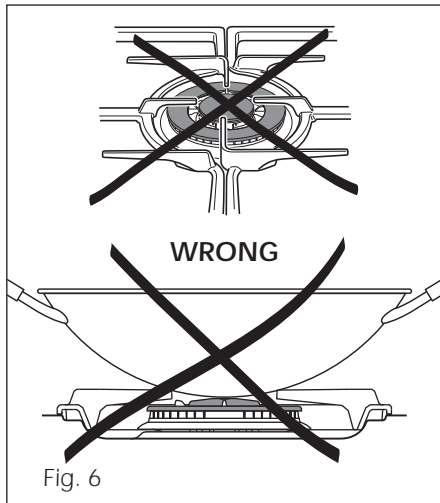
Leave the pan to cool for at least 30 minutes.

Correct use of triple-ring burner

The flat-bottomed pans are to be placed directly onto the pan-support.

To use the WOK you need to place the proper stand in order to avoid any faulty operation of the triple-ring burner (Figs. 6 - 7).

IMPORTANT: The wok pan stand (fig. 7) **MUST BE PLACED ONLY** over the pan-rest for the triple-ring burner.



How to use the Fan Oven (bottom main oven)

Attention: the oven door becomes very hot during operation. Keep children away.

General features

Fan cooking is more economical and quicker than cooking in a conventional oven.

The moving hot air surrounds the food and penetrates it more quickly than in a conventional oven.

The oven is equipped with a circular element (2200 W) and a fan.

Note:

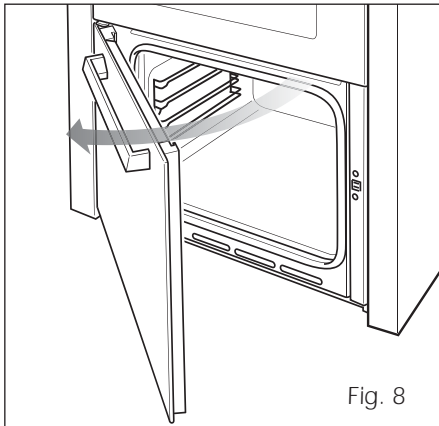
Upon first use, it is advisable to operate the oven at the maximum temperature (thermostat knob on position 250) for 60 minutes to eliminate any traces of grease from the electrical resistance.

Operating principles

Heating and cooking in this oven are obtained **by forced convection**.

A fan sucks in the air contained in the oven muffle, which sends it through the circular heating element and then sends it back through the muffle. Before the hot air is sucked back again by the fan to repeat the described cycle, it envelops the food in the oven, provoking a complete and rapid cooking.

It is possible to cook several dishes simultaneously.



IMPORTANT

To open the bottom door operate as indicated in fig. 8.

WARNING:

The door is hot, use the handle.

ATTENTION - MOST IMPORTANT

Pay special attention not to touch the hot heating element inside the oven cavity.

Switch and the temperature selector (fig. 9)

Rotate the knob clockwise to set the oven for one of the following functions:

Off as per fig. 9



Only the oven fan is on.

The fan operates without the heating element, this function can be used for defrosting.

**50
to
250**

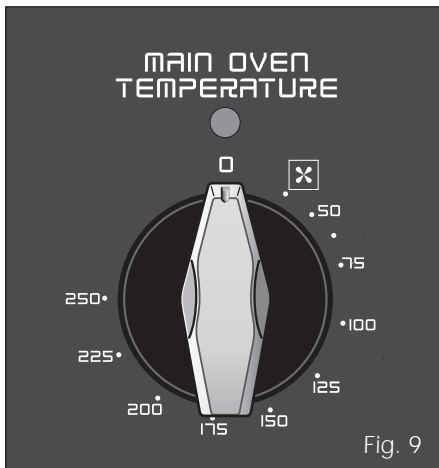
The oven light is switched on.

The oven temperature can be set between 50°C - 250°C.

The set temperature has been reached when the temperature indicator light goes off.

Several different meals may be cooked simultaneously on various shelves, as the heated air circulates evenly throughout the oven.

The hot air system cooks more quickly than conventional static system, therefore the temperature should be set 15°C - 20°C below the values recommended in your recipe books.



Cooking advice

Sterilization

Sterilization of foods to be conserved, in full and hermetically sealed jars, is done in the following way:

- a. Set the selector knob to position 185 °C and preheat the oven.
- b. Fill the dripping pan with hot water.
- c. Set the jars onto the dripping pan making sure they do not touch each other and the door and set the knob to position 135 °C.
When sterilization has begun, that is, when the contents of the jars start to bubble, turn off the oven and let cool.

Regeneration

Set the selector knob to position 150° C.

Bread becomes fragrant again if wet with a few drops of water and put into the oven for about 10 minutes at the highest temperature.

Roasting

To obtain classical roasting, it is necessary to remember:

- that it is advisable to maintain a temperature between 180° and 200 °C.
- that the cooking time depends on the quantity and the type of foods.

Oven cooking

Before introducing the food, preheat the oven to the desired temperature.

For a correct preheating operation, it is advisable to remove the tray from the oven and introduce it together with the food, when the oven has reached the desired temperature.

Check the cooking time and turn off the oven 5 minutes before the theoretical time to recuperate the stored heat.

Simultaneous cooking of different foods

The **fan** consents a simultaneous heterogeneous cooking of different foods. Different foods such as fish, cake and meat can be cooked together without mixing the smells and flavours together. This is possible since the fats and vapours are oxidized while passing through the electrical element and therefore are not deposited onto the foods.

The only precaution to follow are:

- The cooking temperatures of the different foods must be as close to as possible, with a maximum difference of 20° - 25 °C.
- The introduction of the different dishes in the oven must be done at different times in relation to the cooking times of each one.

The time and energy saved with this type of cooking is obvious.

How to use the Convection Oven (top oven)

Attention: the oven door becomes very hot during operation. Keep children away.

General features



The convection oven is equipped with 3 electrical heating elements:

- 2 elements (upper and lower) for normal oven cooking
- 1 grill element, on the top of the oven, for grilling which must be done with the oven door closed.

The input of the elements is:

- Upper element, 700 W
- Lower element, 1000 W
- Grill element, 2000 W

Note:

Upon first use, it is advisable to operate the oven at the maximum temperature (thermostat knob on position MAX) for 60 minutes in the position  and for another 15 minutes in the  mode in order to eliminate any traces of grease from the electrical resistances.

WARNING:

The door is hot, use the handle.

ATTENTION - MOST IMPORTANT

Pay special attention not to touch the hot heating element inside the oven cavity.

Operating principles

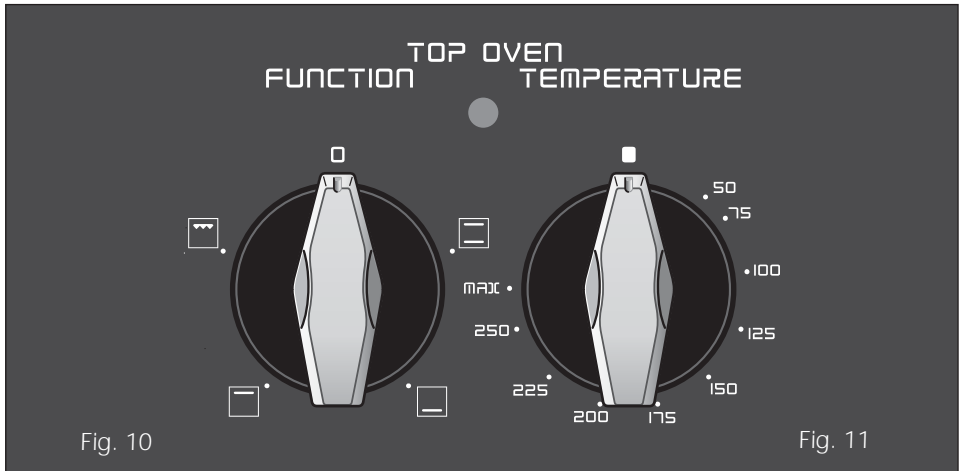
Heating and cooking in the CONVENTIONAL oven are obtained in the following ways:

a. by normal convection

The heat is produced by the upper and lower heating elements.

b. by radiation

The heat is radiated by the infra red grill element (use with the oven door closed).



Thermostat knob (Fig. 11)

This only sets the cooking temperature and does not switch the oven on. Rotate clockwise until the required temperature is reached (from 50°C to MAX).

Function selector knob (Fig. 10)

Rotate the knob clockwise to set the oven for one of the following functions.

Oven light

The oven is equipped with a light that illuminates the oven to enable visually controlling the food that is cooking.

This light is controlled by the function selector knob (fig. 10). It remains on in all the cooking modes.



Traditional convection cooking

The upper and lower heating elements are switched on. The heat is diffused by natural convection and the temperature must be regulated between 50° C and MAX position with the thermostat knob.

It is necessary to preheat the oven before introducing the foods to be cooked.

Recommended for:

For foods which require the same cooking temperature both internally and externally, i. e. roasts, spare ribs, meringue, etc.



Lower heating element

In this position only the lower element is switched on. Heat is distributed by natural convection. The thermostat can be set between 50 and 150°C; higher temperatures are not available.

Recommended for:

This mode is particularly suitable to complete cooking of dishes that require higher temperature at the bottom.



Upper heating element

In this position only the upper element is switched on. Heat is distributed by natural convection. The thermostat can be set between 50 and 150°C; higher temperatures are not available.

Recommended for:

This mode is particularly suitable to complete cooking of dishes that require higher temperature at the top.



Grilling

The infra-red heating element is switched on. The heat is diffused by radiation. Use with the oven door closed and the thermostat knob to between **50°C** and **200°C**.

For correct use see chapter **"USE OF THE GRILL"**

Before using the grill, preheat for about five minutes.

Always grill with the **oven door closed** and do not use the grill for longer than 30 minutes at any one time.

Caution: The oven door becomes very hot during operation.

Keep children well out of reach.

Recommended for:

Intense grilling action for cooking with a broiler; browning, crisping, "au gratin", toasting, etc.

Use of the grill

Leave to warm up for approximately 5 minutes with the door **closed**.
Place the food inside positioning the rack as near as possible to the grill.
Insert the drip pan under the rack to collect the cooking juices.

Grilling with the oven door closed.

Grilling with the oven door closed and do not for longer than 30 minutes at any one time.

**Attention: the oven door becomes very hot during operation.
Keep children away.**

Oven cooking

Before introducing the food, preheat the oven to the desired temperature.
For a correct preheating operation, it is advisable to remove the tray from the oven and introduce it together with the food, when the oven has reached the desired temperature.
Check the cooking time and turn off the oven 5 minutes before the theoretical time to recuperate the stored heat.

Do's and do not's

Do's and do not's

- Do always grill with the oven door closed.
- Do read the user instructions carefully before using the cooker for first time.
- Do allow the oven to heat for one and a half hours, before using for the first time, in order to expel any smell from the new oven insulation, without the introduction of food.
- Do clean your oven regularly.
- Do remove spills as soon as they occur.
- Do always use oven gloves when removing food shelves and trays from the oven.
- Do not allow children near the cooker when in use.
- Do not allow fat or oils to build up in the oven trays, or oven base.
- Do not place cooking utensils or plates directly onto the oven base.
- Do not grill food containing fat without using the grid.
- Do not cover the grilling grid with aluminium-foil.
- Do not use the oven tray for roasting.
- Do not place hot enamel parts in water. Leave them to cool first.
- Do not allow vinegar, coffee, milk, saltwater, lemon or tomato juice to remain in contact with enamel parts (inside the oven and on the oven tray).
- Do not use abrasive cleaners or powders that will scratch the surface of the stainless steel and the enamel.
- Do not attempt to repair the internal workings of your cooker.
- Do remove the protective film before the first use.
- Fire risk! Do not store flammable material in the ovens.

For your safety

The product should only be used for its intended purpose which is for the cooking of domestic foodstuffs.

Under no circumstances should any external covers be removed for servicing or maintenance except by suitably qualified personnel.

Attention

The appliance gets very hot, mainly around the cooking areas. It is very important that children are not left alone in the kitchen when you are cooking.

Important notes

Installation, and any demonstration, information or adjustments are not included in the warranty.

The cooker must be installed by a qualified person in accordance with the relevant Standards.

In the UK C.O.R.G.I registered installers are authorised to undertake the installation and service work in compliance with the applicable regulations.

Care and maintenance

Important:

As a safety measure, before you start cleaning the cooker be sure to disconnect it from the mains supply.

Do not use a steam cleaner because the moisture can get into the appliance thus make it unsafe.

The use of suitable protective clothing/gloves is recommended when handling or cleaning of this appliance.

WARNING

When correctly installed, your product meets all safety requirements laid down for this type of product category.

However special care should be taken around the rear or the underneath of the appliance as these areas are not designed or intended to be touched and may contain sharp or rough edges, that may cause injury.

Flexible tube

From time to time, check the flexible tube connecting the gas supply to the cooker. It must be always in perfect condition; in case of damage arrange for it to be replaced by a C.O.R.G.I. registered installer.

Gas taps

If a tap becomes stiff, **do not force**; contact your local Service Centre.

Cleaning the hob

Spillage on the hob can usually be removed by a damp soapy cloth. More obstinate stains can be removed by rubbing gently with a soapy nylon (non metal) scouring pad or mild household cleaner.

Enamelled parts

All the enamelled parts must be cleaned with a sponge and soapy water only or other non-abrasive products.

Dry preferably with a microfibre or soft cloth.

Stainless steel, aluminium, painted parts and silk-screen printed surfaces

Clean using an appropriate product. Always dry thoroughly.

Stainless steel surfaces: can be cleaned with an appropriate stainless steel cleaner.

IMPORTANT: these parts must be cleaned very carefully to avoid scratching and abrasion. You are advised to use a soft cloth and neutral soap.

CAUTION: Do not use abrasive substances or non-neutral detergents as these will irreparably damage the surface.

Glass control panel

Clean using an appropriate product.

Always dry thoroughly.

Do not use harsh abrasive cleaners or sharp metal scrapers to clean the control panel since they can scratch the surface, which may result in shattering of the glass.

Burners

They can be removed and washed with soapy water only.

They will remain always perfect if cleaned with products used for silverware.

After cleaning or wash, check that burner-caps and burner-heads are dry before placing them in the **respective housings**.

Note: To avoid damage to the electric ignition do not use it when the burners are not in place.

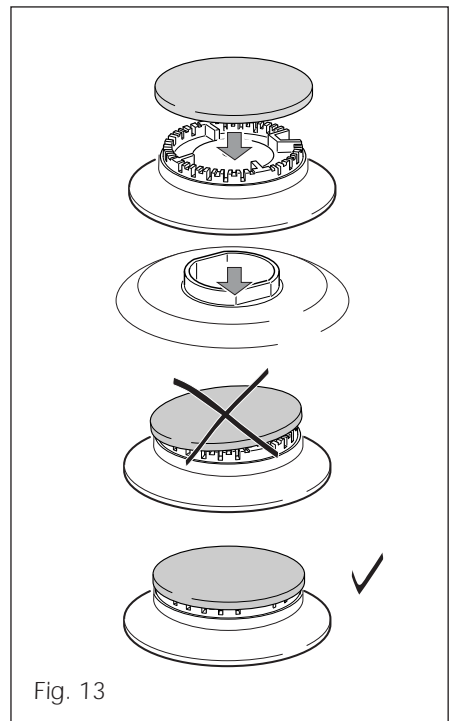
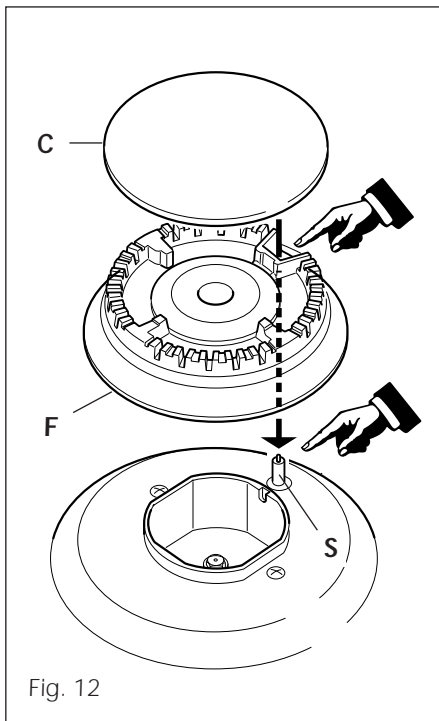
Correct replacement of the burners

It is very important to check that the burner flame distributor **F** and the cap **C** has been correctly positioned (see figs. 12-13) - failure to do so can cause a poor burner flame and/or damage to the burner and hob.

Check that the electrode **"S"** (fig. 12) is always clean to ensure trouble-free sparking.

The ignition plug must be very carefully cleaned.

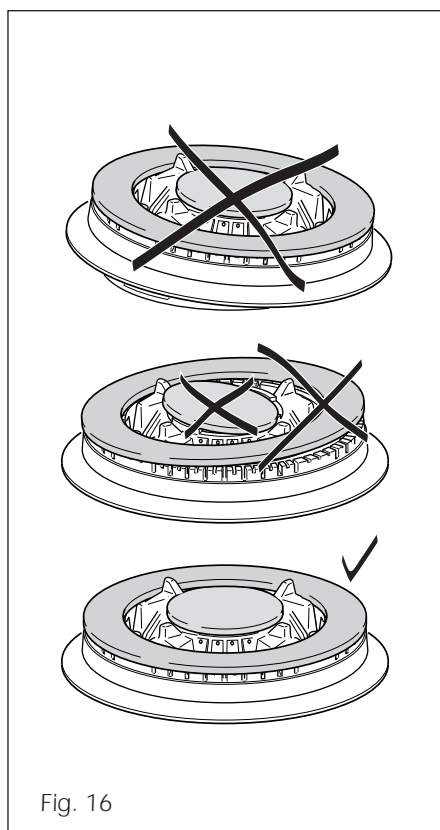
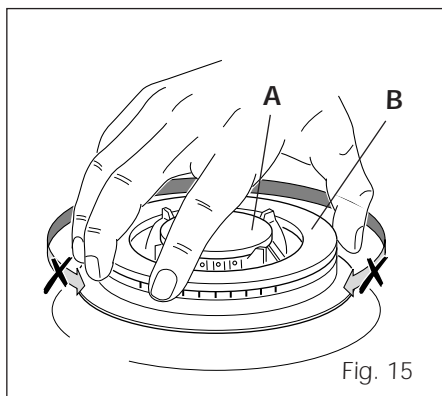
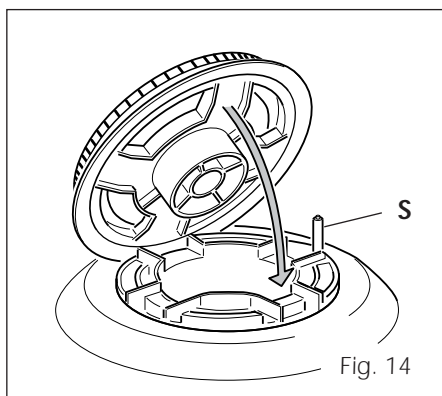
**The burners become very hot during operation.
Keep children away.**



Triple ring burner

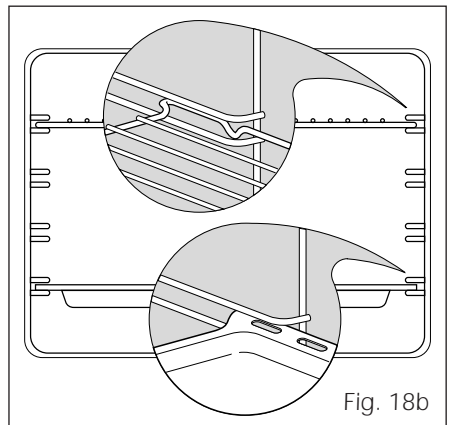
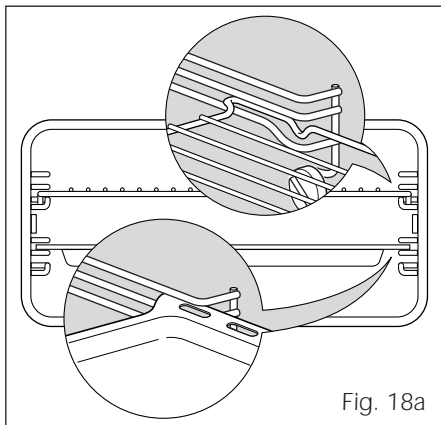
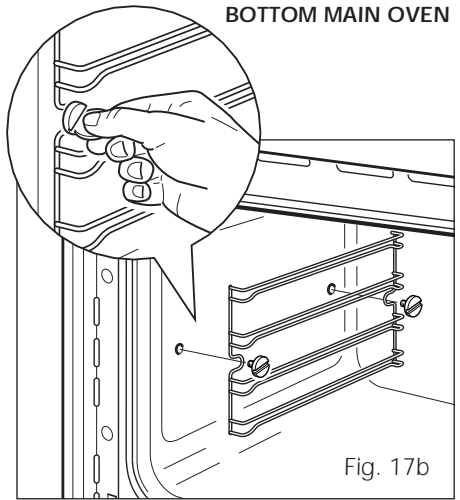
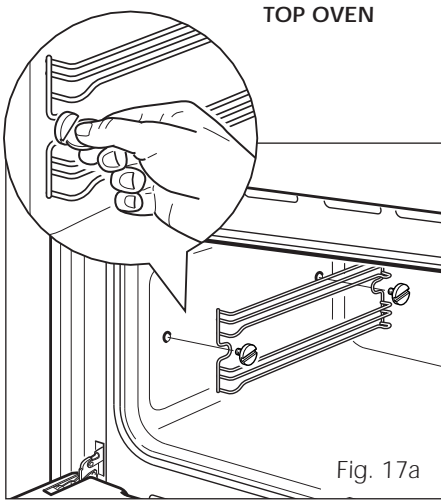
The triple ring burner must be correctly positioned (see fig. 16); the burner rib must enter in their logement as shown by the arrow (see fig. 14).

Then position the cap **A** and the ring **B** (figs. 15 - 16).
The burner correctly positioned must not rotate (fig. 15).



Assembling and dismantling of the side runner frames

- Assemble the wire racks to the oven walls using the 2 screws (Figs. 17a - 17b).
- Slide the tray and rack into the runners (Figs. 18a - 18b).
The rack must be fitted so that the safety catch, which stops it sliding out, faces the inside of the oven.
- To dismantle, operate in reverse order.



Inside of oven

The oven should always be cleaned after use when it has cooled down.

The cavity should be cleaned using a mild detergent solution and warm water. Suitable proprietary chemical cleaners may be used after first consulting with the manufacturers recommendations and testing a small sample of the oven cavity. Abrasive cleaning agents or scouring pads/cloths should not be used on the cavity surface.

NOTE: The manufacturers of this appliance will accept no responsibility for damage caused by chemical or abrasive cleaning.

Let the oven cool down and pay special attention no to touch the hot heating elements inside the oven cavity.

Replacing the oven light

Before any maintenance is started involving electrical parts of the appliance, it must be disconnected from the power supply.

- Let the oven cavity and the heating elements cool down;
- Unscrew the protective cover **C** (fig. 19);
- Unscrew and replace the bulb **B** with a new one suitable for high temperatures (300°C) having the following specifications: 230-240V 50 Hz, 15W, E14 and same power (check watt power as stamped in the bulb itself) of the replaced bulb.
- Refit the protective cover.

NOTE: Oven bulb replacement is not covered by your guarantee.

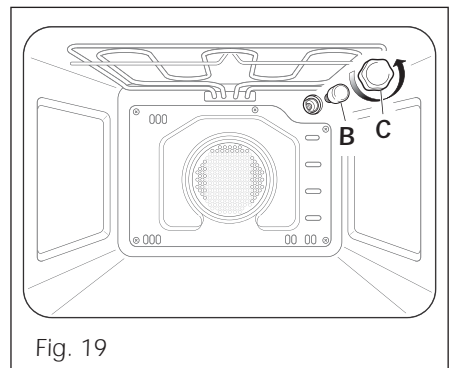


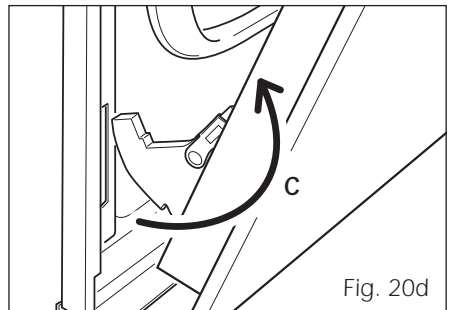
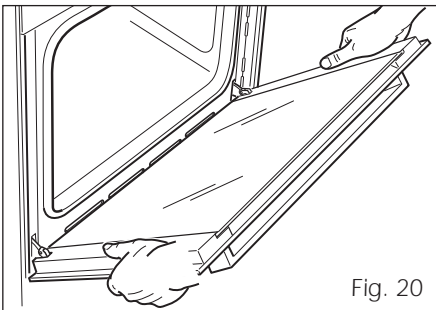
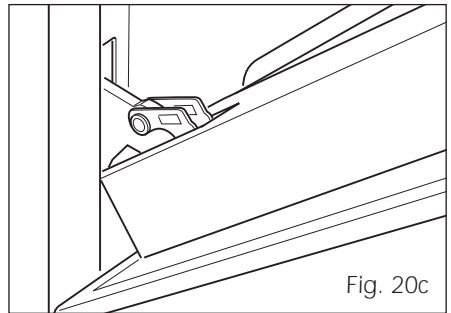
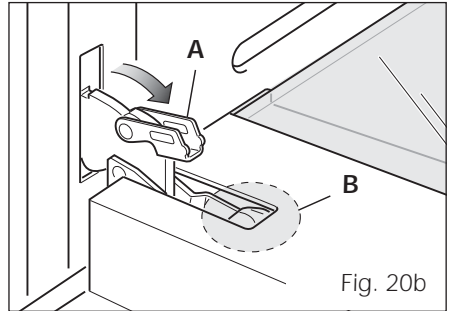
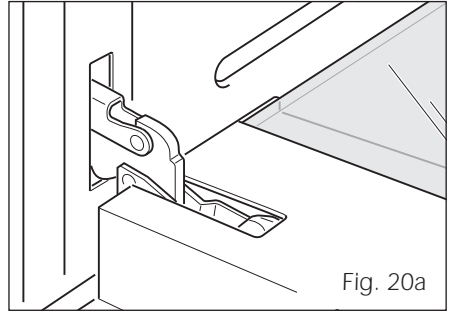
Fig. 19

Top oven door

Removing the door

The oven door can easily be removed as follows:

- Open the door to the full extent (fig. 20a).
- Open the lever **A** completely on the left and right hinges (fig. 20b).
- Hold the door as shown in fig. 20.
- Gently close the door (fig. 20c) until left and right hinge levers **A** are hooked to part **B** of the door (fig. 20b).
- Withdraw the hinge hooks from their location following arrow **C** (fig. 20d).
- Rest the door on a soft surface.
- To replace the door, repeat the above steps in reverse order.



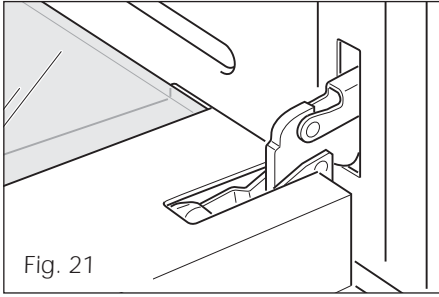


Fig. 21

Top oven door

Cleaning the panes of glass

Do not use harsh abrasive cleaners or sharp metal scrapers to clean the oven door glass since they scratch the surface, which may result in shattering of the glass.

Removing the inner pane of glass

The oven door has two panes. To clean these, you need to remove the inner pane.

1. Lock the door open:

- Fully open the oven door (fig. 21).
- Fully open the lever **A** on the left and right hinges (Fig 22).
- Gently close the door (Fig. 23) until the left and right hinges are hooked to part **B** of the door (Fig. 22).

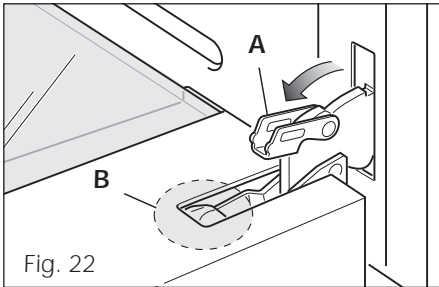


Fig. 22

2. Remove the inner pane:

- Gently pull out the inner pane of glass (Fig. 24).
- Clean the glass with an appropriate cleaner. Dry thoroughly, and place on a soft surface.

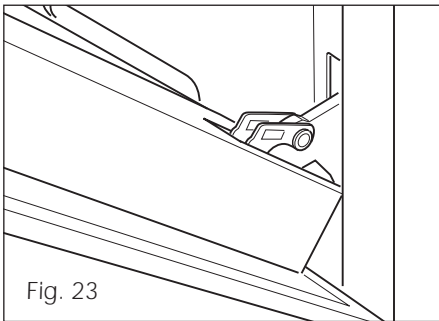


Fig. 23

Now you can also clean the inside of the outer glass.

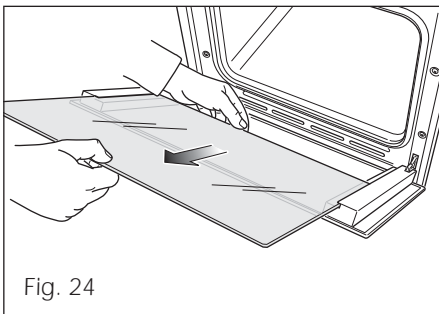


Fig. 24

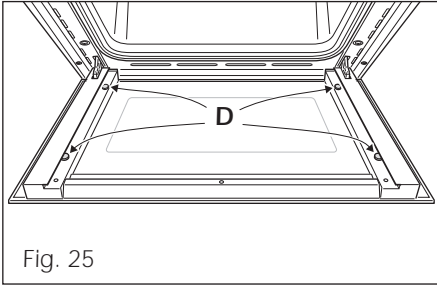


Fig. 25

Replacing the inner pane of glass

1. Make sure the door is locked open (see figs. 21, 22, 23).

2. Replace the inner pane:

- Check that the four rubber pads are in place (**D** in Fig. 25).
- Check that you are holding the pane the correct way. You should be able to read the wording on it as it faces you.
- Insert the pane in the left **E** and right **F** slide guides (fig. 26), and gently slide it to the retainers **H** (fig. 27).
- Unlock the oven door by opening it completely and closing the lever **A** on the left and right hinges (Fig. 28).

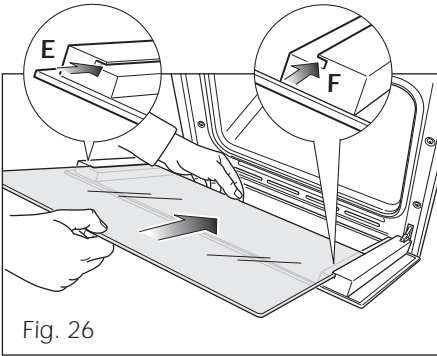


Fig. 26

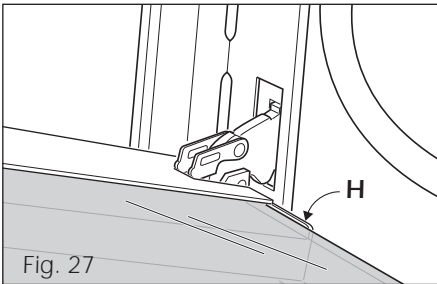


Fig. 27

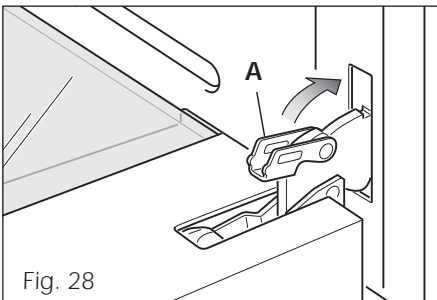


Fig. 28

Bottom oven door

Note: The oven door should only be removed by an authorised service agent.

Removal of the oven door by a non-authorized person will invalidate the guarantee.

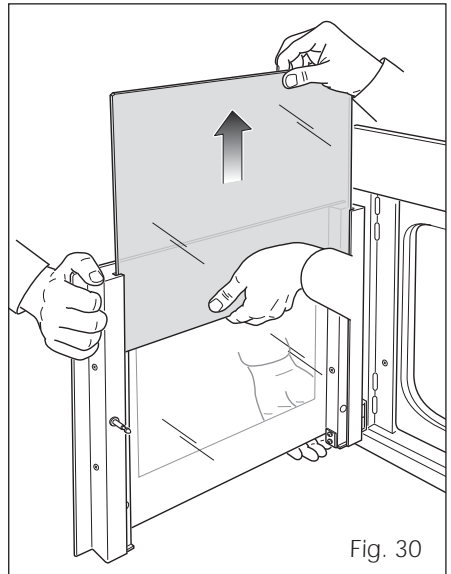
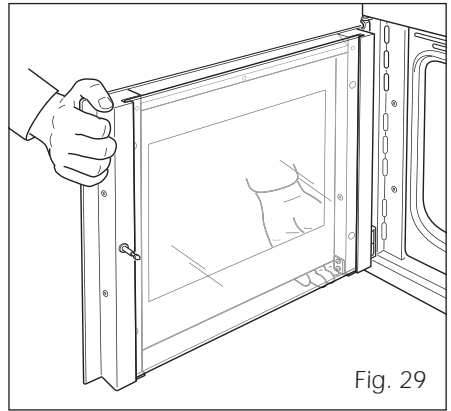
Removing the inner pane of glass

When removing and replacing the inner glass, the door should be held still by one person (fig. 29). A second person should gently remove the glass (fig. 30).

To clean the inner pane of the oven door on both sides operate as follows:

- Open the oven door.
- Gently pull out the inner pane of glass (Fig. 30). Forcible removal of the door glass may lead to damage of the door hinges.
- Clean the glass with an appropriate cleaner. Dry thoroughly, and place on a soft surface.
- Now you can also clean the inside of the outer glass.

Do not use harsh abrasive cleaners or sharp metal scrapers to clean the oven door glass since they scratch the surface, which may result in shattering of the glass.

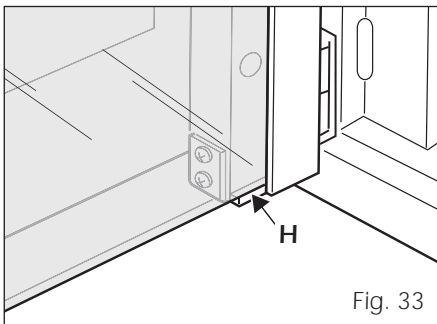
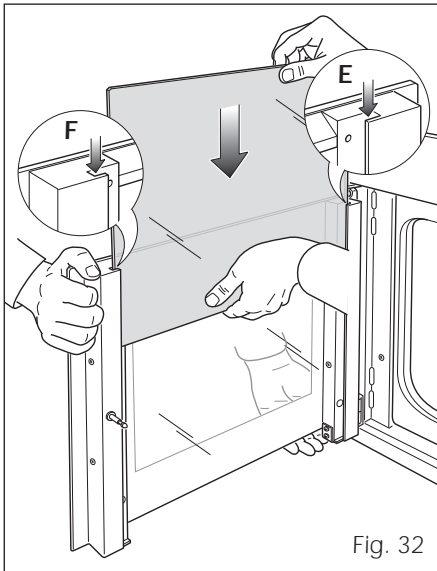
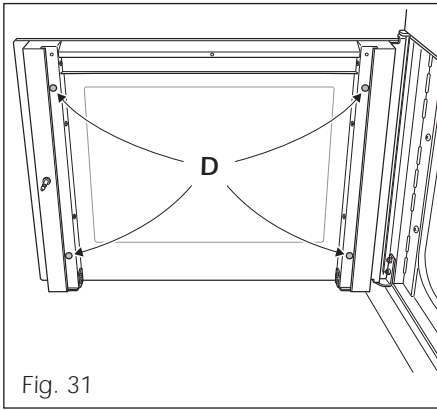


Replacing the inner pane of glass

To replace the inner pane of the door operate as follows:

- Check that the four rubber pads are in place (**D** in Fig. 31).
- Check that you are holding the pane the correct way. You should be able to read the wording on it as it faces you.
- Whilst one person holds the door still, a second person should insert the inner pane in the left **E** and right **F** side guides (fig. 32) and gently let it slide up to the retainers **H** (fig. 33).

Forcible replacement of the door glass may lead to damage of the door hinges.



FOR THE INSTALLER

Location

This cooker has class "2/1" overheating protection so that it can be installed next to a cabinet.

The appliance may be installed in a kitchen, Kitchen/diner or a bed sitting room, but not in a room or space containing a bath or a shower.

The appliance must not be installed in a bed-sitting room of less than 20 m³.

The appliance is designed and approved for domestic use only and should not be installed in a commercial, semi commercial or communal environment.

Your product will not be guaranteed if installed in any of the above environments and could affect any third party or public liability insurances you may have.

The furniture walls adjacent to the cooker must be made of material resistant to heat.

The veneered synthetic material and the glue used must be resistant to a temperature of 90°C in order to avoid ungluing or deformations.

The cooker must be installed by a qualified technician and in compliance with local safety standards.

If the cooker is installed adjacent to furniture which is higher than the gas hob cook-top, a gap of at least 200 mm must be left between the side of the cooker and the furniture.

Curtains must not be fitted immediately behind appliance or within 500 mm of the sides. It is essential that the cooker is positioned as stated in Fig. 34.

If the cooker is located on a pedestal it is necessary to provide safety measures to prevent falling out.

Note: please consider the side opening of the bottom door when installing the cooker. Once installed you should be able to open the oven door.

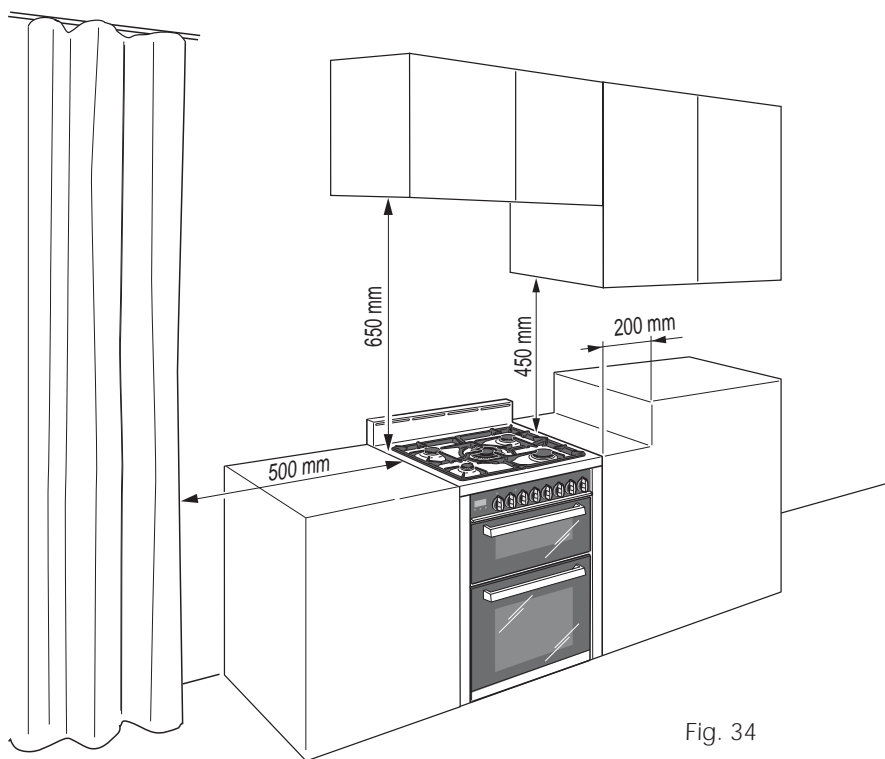


Fig. 34

Before installing the cooker level the appliance by screwing or unscrewing the four adjustable feet fitted below.

WARNING!

For safety reasons unscrew the feet (from screwed position) to the maximum extent of 5 mm (fig. 35).

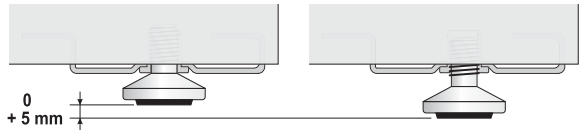


Fig. 35

Backguard

- Remove the two spacers "A" and the screw "B" from the rear of the cooktop.
- Assemble the backguard as shown in figure 36 and fix it by screwing the central screw "B" and the spacers "A".

It is mandatory to install the backguard.

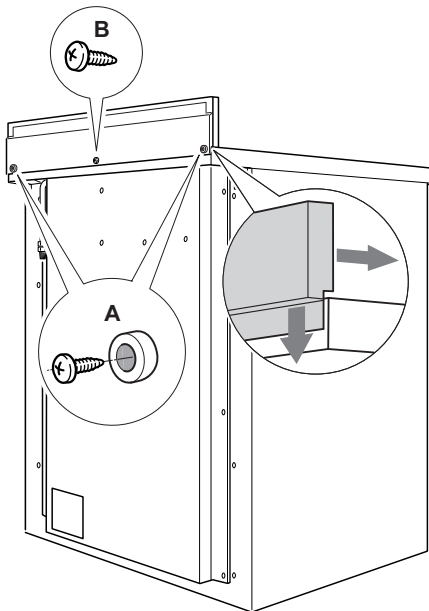


Fig. 36

Moving the cooker

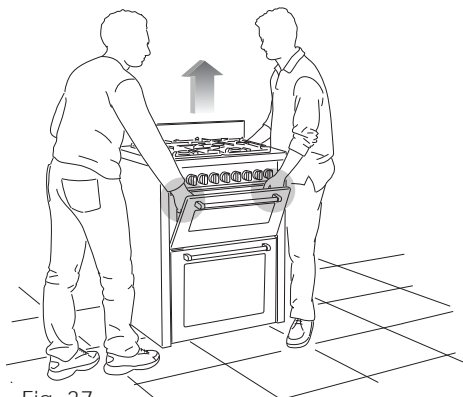


Fig. 37

Warning

To move the cooker always ensure two people carry out this manoeuvre to prevent damage to the appliance (fig. 37).

Warning

Be careful: do not lift the cooker by the door handle (fig. 38).

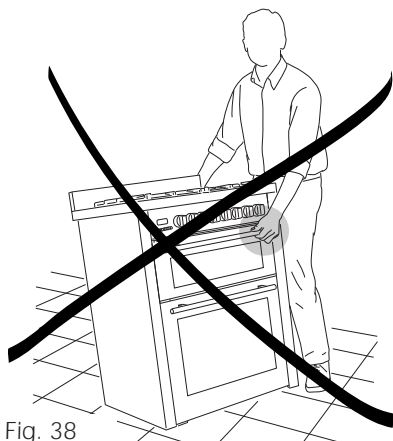


Fig. 38

Warning

When moving cooker to its final position **DO NOT DRAG** (fig. 39).

Lift feet clear of floor (fig. 37).

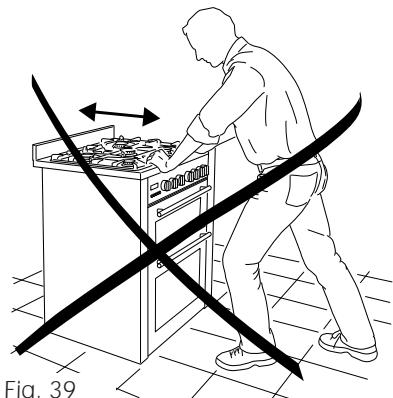


Fig. 39

Provison for ventilation

- ✓ The appliance should be installed into a room or space with an air supply in accordance with BS 5440-2: 2000.
- ✓ For rooms with a volume of less than 5 m³ - permanent ventilation of 100 cm² free area will be required.
- ✓ For rooms with a volume of between 5 m³ and 10 m³ a permanent ventilation of 50 cm² free area will be required unless the room has a door which opens directly to the outside air in which case no permanent ventilation is required.
- ✓ For rooms with a volume greater than 10 m³ - no permanent ventilation is required.

NB. Regardless of room size, all rooms containing the appliance must have direct access to the outside air via an openable window or equivalent.

- ✓ Where there are other fuel burning appliances in the same room, BS 5440-2: 2000 should be consulted to determine the correct amount of free area ventilation requirements.
- ✓ The above requirements allow also for use of a gas oven and grill but if there are other gas burning appliances in the same room, consult a qualified engineer.

Gas installation

IMPORTANT NOTE

This appliance is supplied for use on NATURAL GAS or LPG (check the gas regulation label attached on the appliance).

- ✓ Appliances supplied for use on NATURAL GAS: they are adjusted for this gas only and cannot be used on any other gas (LPG) without modification. The appliances are manufactured for conversion to LPG.
- ✓ Appliances supplied for use on LPG: they are adjusted for this gas only and cannot be used on any other gas (NATURAL GAS) without modification. The appliances are manufactured for conversion to NATURAL GAS.

If the NATURAL GAS/LPG conversion kit is not supplied with the appliance this kit can be purchased by contacting the After-Sales Service.

INSTALLATION & SERVICE REGULATIONS (UNITED KINGDOM)

It is a legal requirement that all gas appliances are Installed & Serviced by a competent person in accordance with the current editions of the following Standards & Regulations or those regulations appropriate to the geographical region in which they are to be installed:

- ✓ Gas Safety (Installation & Use) Regulations
- ✓ Building Regulations
- ✓ British Standards
- ✓ Regulations for Electrical Installation

Installation and service of any gas product must be made by a suitably qualified person competent on the type of product being installed or serviced and holding a valid certificate of competence for the work being carried out. Currently the proof of competence is the Accredited Certification Scheme (ACS) or S/NVQ that has been aligned to the ACS.

It is also a requirement that all businesses or self employed installers are members of a class of person approved by the Health and Safety Executive. Currently the only body with such approval is CORGI.

Failure to install the appliance correctly could invalidate any manufacturers warranty and lead to prosecution under the above quoted regulation.

Gas connection

The installation of the gas appliance to Natural Gas or LP Gas must be carried out by a C.O.R.G.I. registered installer. Installers shall take due account of the provisions of the relevant British Standards Code of Practice, the Gas Safety Regulations and the Building Standards (Scotland)(Consolidation) Regulations issued by the Scottish Development Department.

Installation to Natural Gas

Installation to Natural Gas must conform to the Code of Practice, etc.

The supply pressure for Natural Gas is 20 mbar.

The installation must conform to the relevant British Standards.

Installation to LP Gas

When operating on Butane gas a supply pressure of 28-30 mbar is required. When using Propane gas a supply pressure of 37 mbar is required.

The installation must conform to the relevant British Standards.

Warning: Only a C.O.R.G.I. registered installer, also with technical knowledge of electricity should install the appliance. He should observe the Regulations and Codes of Practice governing such installation of gas appliances.

Note: It is recommended that the gas connection to the appliance is installed with a flexible connecting tube made to BS5386.

Notes:

- ✓ Flexible hoses can be used where the sited ambient temperature of the hose does not exceed 70°C. These hoses must be manufactured in accordance with BS669 part 1 and be of the correct construction for the type of gas being used.
- ✓ Gas hoses designed for natural gas **MUST NOT** be used for supplying LPG gas (LPG gas hoses can be identified by a either a red band or stripe on the rubber outer coating of the hose).
The hose should not be crushed or trapped or be in contact with sharp or abrasive edges.

Using a suitable leak detection fluid solution (e.g. Rocol) check each gas connection one at a time by brushing the solution over the connection.

The presence of bubbles will indicate a leak.

If there is a leak, tighten the fitting and then recheck for leaks.

IMPORTANT!

Do not use a naked flame to test for leaks.

Gas connection **GB** Cat: II 2H3+

The gas supply must be connected to the gas inlet which is located at the rear of the appliance (see figure 40).

If the connection pipe cross the cooker, it must be positioned under the cooker rear protection.

To screw the connecting tube operate with two spanners (fig. 41).

After connecting to the mains, check that the coupling are correctly sealed, using soapy solution, but never a flame.

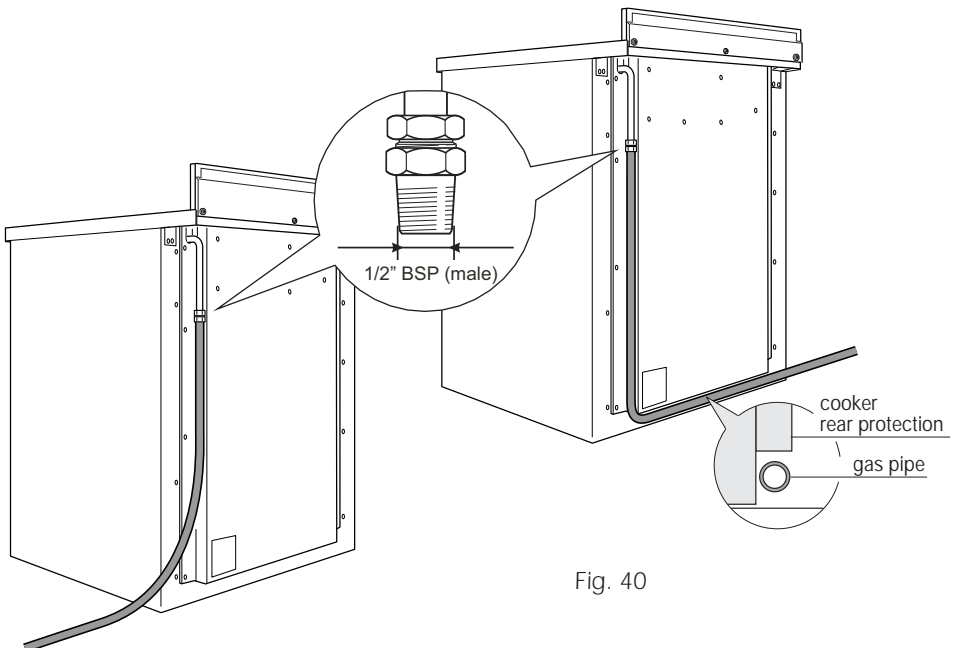
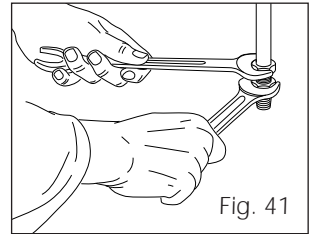


Fig. 40

Injectors replacement of top burners

Every cooker is provided with a set of injectors for the various types of gas.

Injectors not supplied can be obtained from the After-Sales Service.

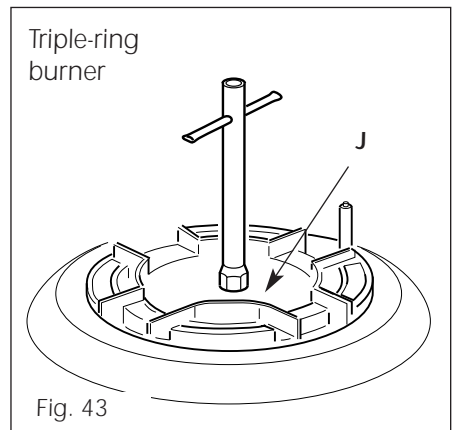
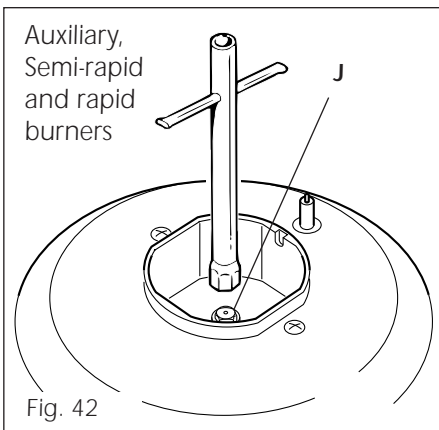
Select the injectors to be replaced according to the table at page 43.

The nozzle diameters, expressed in hundredths of a millimetre, are marked on the body of each injector.

To replace the injectors proceed as follows:

- Remove the grids and extract the burner bodies.
- Using a wrench, substitute the nozzle injectors "J" (Figs. 42 - 43) with those most suitable for the kind of gas for which it is to be used (see "Table for the choice of the injectors").

The burners are constructed in such a way so as not to require the regulation of the primary air.



Adjusting of the minimum of the top burners

In the minimum position the flame must have a length of about 4 mm and must remain lit even with a quick turn from the maximum position to that of minimum.

The flame adjustment is done in the following way:

- Turn on the burner
- Turn the tap to the MINIMUM position
- Take off the knob
- With a small flat screwdriver turn the screw (fig. 44) to the correct regulation.

Normally for LPG, tighten up the regulation screw.

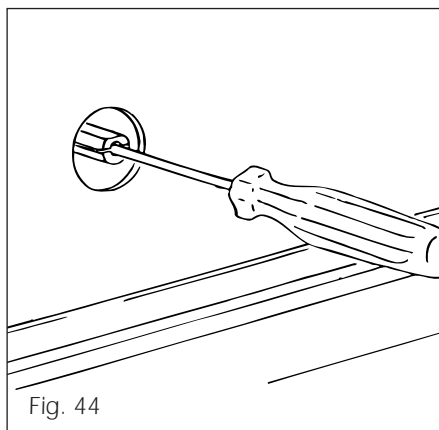


Table for the choice of the injectors



Cat: **II 2H3+**

BURNERS	Nominal Power [kW]	Reduced Power [kW]	G 30 - 28-30 mbar G 31 - 37 mbar	G 20 20 mbar
			Ø injector [1/100 mm]	Ø injector [1/100 mm]
Auxiliary (A)	1,00	0,30	50	72 (X)
Semi-rapid (SR)	1,75	0,45	65	97 (Z)
Rapid (R)	3,00	0,75	85	115 (Y)
Triple-ring	3,50	1,50	95	135 (T)

INCREASE OF AIR NECESSARY FOR GAS COMBUSTION (2 m ³ /h x kW)	
BURNERS	Air necessary for combustion [m ³ /h]
Auxiliary (A)	2,00
Semi-rapid (SR)	3,50
Rapid (R)	6,00
Triple-ring	7,00

Lubrication of the gas taps

The operations must be executed by a qualified technician.

IMPORTANT

All intervention regarding installation maintenance and conversion of the appliance must be fulfilled with original factory parts.

The manufacturer declines any liability resulting from the non-compliance of this obligation.

Electrical installation

For your safety please read the following information:

WARNING!

Before effecting any intervention on the electrical parts the appliance must be disconnected from the network.

IMPORTANT: The cooker must be installed in accordance with the manufacturer's instructions.

Incorrect installation, for which the manufacturer accepts no responsibility, may cause damage to persons, animals and things.

General

- Connection to the mains must be carried out by qualified personnel in accordance with current regulations.
- The appliance must be connected to the mains checking that the voltage corresponds to the value given in the rating plate and that the electrical cable sections can withstand the load specified on the plate.
- The appliance can be connected directly to the mains placing an omnipolar switch with minimum opening between the contacts of 3 mm between the appliance and the mains.
- The power supply cable must not touch the hot parts and must be positioned so that it does not exceed 75°C at any point.
- Once the appliance has been installed, the switch must always be accessible.
- If the power supply cable is damaged it must be substituted by a suitable cable.

N.B. For connection to the mains, do not use adapters, reducers or branching devices as they can cause overheating and burning.

If the installation requires alterations to the domestic electrical system call an expert. He should also check that the electrical system is suitable for the power absorbed by the appliance.

IMPORTANT: this cooker must be connected to a suitable double pole control unit adjacent to the cooker.

No diversity can be applied to this control unit.

The connection of the appliance to earth is mandatory.

The manufacturer declines all responsibility for any inconvenience resulting from the inobservance of this condition.

Electrical feeder cable connection

To connect the feeder cable to the cooker it is necessary to:

- Remove the 2 screws that hold shield **A** behind the cooker.
- Open completely the cable clamp **D**.
- Insert the feeder cable into the cable save **P**. The supply cable must be of a suitable size for the current requirements of the appliance; see the section "Feeder cable section".
- Connect the phase and earth cables to terminal **B** according to figures 45 and 46.
- Pull the feeder cable and block it with the cable clamp **D**.
- Re-mount shield **A**.

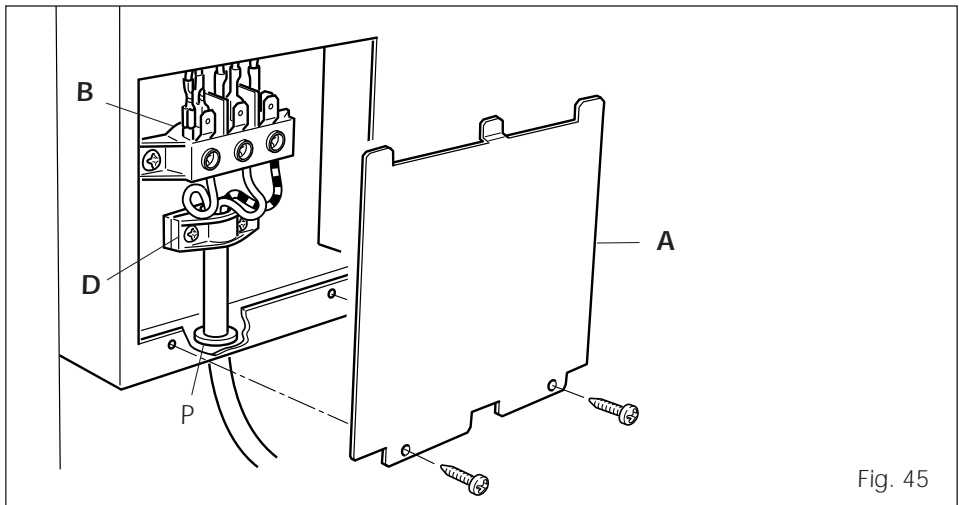
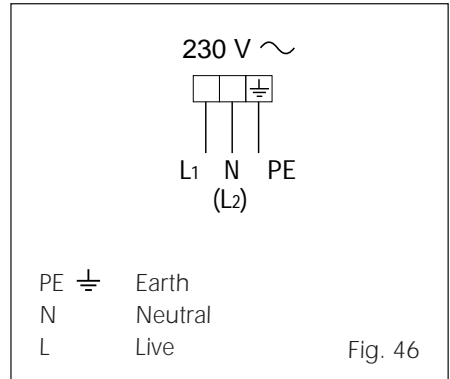
N.B. The earth conductor must be left about 3 cm longer than the others.

Feeder cable section type H05RRF

230 V ~

3 x 2,5 mm² (**)

(**) - Connection with wall box connection.



Appliance servicing

CDA provide a quality and effective after-sales service to cover all your servicing needs.

Please attach your receipt to this page for safekeeping.

Please help us to help you by having the following information available when booking a service-call:

1. **Model type, make and model** – see the product data plate.
2. Evidence of installation / purchase date
3. Retailer where appliance was purchased
4. Clear and concise details of the fault
5. Full address including postcode and any contact phone numbers

Contact telephone numbers

CDA Customer Care Department

- Telephone: 01949 862012
- Fax: 01949 862003
- Email: service@cda.eu

Guarantee

CDA appliances carry a five-year parts and a one-year labour guarantee.

CDA will repair or replace any defect or part attributable to faulty material or workmanship. Within the first year this will be free of both labour and parts charges. After the first year and within five years, the parts will be supplied free of charge provided that the repair is carried out by an agent authorised by CDA and the labour will be charged at the commercial rate applicable at the time of repair.

The appliance must have been installed by a suitably qualified person and in accordance with the manufacturer's instructions and current legislation. The guarantee does not cover faults caused by the incorrect fitting of appliances.

Limit of Cover

- The guarantee does not cover cosmetic damage e.g. discolouration or oxidation.
- Proof of purchase or installation date must be produced before a service-call will be booked.
- The appliance must be used for domestic purposes only. Appliances used for commercial or professional purposes are not covered by the guarantee. Commercial warranty is available at extra cost.
- The appliance must not be modified or tampered with or repair attempted by any unauthorised person.
- The guarantee does not cover damage caused in transit or by misuse, accident, abuse or neglect.
- The guarantee does not cover routine maintenance.
- Use of parts not supplied or recommended by |C|D|A| will invalidate the warranty.
- Rubber seals, filters, removable glass parts, control knobs and buttons, fuses and light bulbs will need replacing periodically and are not covered by the guarantee.
- Second-hand or reconditioned appliances are not covered by the guarantee.

The conditions under which this guarantee is offered are in addition to the statutory rights of the domestic purchaser and these statutory rights are not affected by this guarantee.

CDA reserve the right to change specification without prior notice.

Descriptions and illustrations in this booklet are given as simply indicative.

The manufacturer reserves the right, considering the characteristics of the models described here, at any time and without notice, to make eventual necessary modifications for their construction or for commercial needs.

Cod. 1103160

β2

RV 700 .. cooker

The **CDA** Group Ltd

Harby Road • Langar • Nottingham • NG13 9HY • UK

VAT No : 528 7168 19 • Registered in England : 2621460

Free Manuals Download Website

<http://myh66.com>

<http://usermanuals.us>

<http://www.somanuals.com>

<http://www.4manuals.cc>

<http://www.manual-lib.com>

<http://www.404manual.com>

<http://www.luxmanual.com>

<http://aubethermostatmanual.com>

Golf course search by state

<http://golfingnear.com>

Email search by domain

<http://emailbydomain.com>

Auto manuals search

<http://auto.somanuals.com>

TV manuals search

<http://tv.somanuals.com>