



AXC In-Line Duct Fans

AXC In-Line Duct Fans



Continental Fan's AXC in-line centrifugal duct fans are designed for residential, commercial and industrial ventilation applications. The quiet and efficient backward-curved impeller is capable of developing significant pressure, and the in-line configuration simplifies installation, saving time and money!

Design Features

- Quiet, powerful, compact; the most user-friendly fan in the industry
- Exclusive mounting brackets included for simple installation
- 106 cfm - 1400 cfm available, to fit duct sizes from 4"-14"
- 120V operation (also available in 220V; contact factory for details)
- Speed controllable using solid state speed control (optional)
- Fans are easily installed in flexible or rigid duct
- Fans may be used to supply or exhaust air
- Fans may be mounted in any position
- Heavy gauge, drawn steel housing with baked epoxy finish inside and out
- Suitable for light dust and fumes
- Backward-curved fan impeller:
 - ✓ Operates at low sound levels
 - ✓ Overcomes high static pressure
 - ✓ Will not stall or overload motor at low airflow
- External rotor motor design results in superior motor cooling, durability
- Permanently lubricated ball bearing motors for maintenance free operation
- Automatic reset thermal overload protection
- External junction box contains pre-wired capacitor, to simplify wiring
- Fan and motor assembly is precision balanced for quiet and vibration-free operation
- UL & CSA approvals
- Five year warranty



Helpful Tips

- Rigid duct tends to echo fan noise. To reduce sound levels, use flexible insulated duct (consult local codes before selecting duct type).
- To minimize condensation, use insulated, flexible duct when venting bathrooms or other warm and moist areas.

AXC In-Line Duct Fans

Applications

The versatility of the AXC fan is endless. The most common uses are bathroom exhaust, range hood exhaust and duct boosting.

Bathroom Exhaust

AXC in-line duct fans are the strongest and quietest bathroom fans available today. These fans allow the exhaust of multiple vents or bathrooms with one fan. They are user friendly, easy to install, and can be located directly over a shower.

Range Hood Exhaust

AXC in-line duct fans can be used as a principle exhaust fan, or as a booster fan to improve the efficiency of an existing residential range hood. These fans can be variable speed controlled by using an independent speed controller, or by tying into an existing range hood controller. The heavy gauge housing, with epoxy coating inside and out, provides a rugged fan with superior corrosion protection.

Duct Boosting

AXC in-line duct fans can solve many air moving problems. They are designed to boost airflow through long or complex duct runs, and provide ideal solutions for areas that are hard to heat or cool.

Other applications include:

- Residential kitchen exhaust
- Conference room exhaust
- Principal exhaust fan
- Cafeteria exhaust
- Computer rooms
- General ventilation
- Hot tub / sauna exhaust
- Health care facilities
- Hair & nail salons
- Warm air transfer
- Humidity and moisture removal
- Powered make-up air
- Spot cooling
- Equipment cooling
- HRV/ERV boosting



Simplify it with a Kit

At Continental Fan, we know that you have specific needs! That is why we offer a variety of kits for different ventilation applications! Not sure which kit is right for your application? Call one of our qualified technical support personnel; we are happy to help!

Available Accessories

A full range of accessories is available to suit each custom application.



Digital Timers



Dehumidistats



Pressure Switches



Roof Caps



Wall Caps



Speed Controls



Supply & Exhaust Grilles



Backdraft Dampers



Mounting Clamps



Flexible Duct

How do I know which fan is best suited for my application?

As previously summarized, there are numerous applications where ventilation is required. Whether it is for residential or commercial applications, it is imperative that the proper amount of airflow be calculated.

Residential

One of our qualified technical support personnel would be happy to assist in selecting a fan for your residential ventilating needs. If you would like to inform yourself further, HVI, the Home Ventilating Institute provides ventilating guidelines for consumers. For more information, visit www.hvi.org.

Commercial

For an application that is commercial or very specific in nature, you may want to enlist an HVAC contractor. For a list of contractors near you, consult the yellow pages.

Performance Data

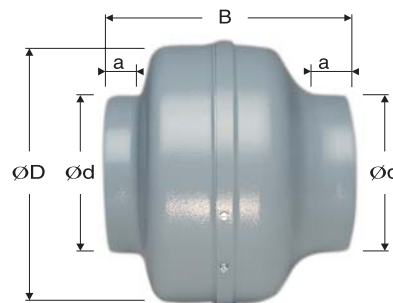
MODEL	WATTS	AMPS	RPM	dBA*	CUBIC FEET PER MINUTE												
					0"SP	1/8"SP	1/4"SP	3/8"SP	1/2"SP	3/4"SP	1"SP	1 1/4"SP	1 1/2"SP	2"SP	3"SP		
AXC100A	55	0.57	1750	44	106	99	93	87	80	68	55	39					
AXC100B	85	0.69	2400	54	152	146	139	131	124	106	82	66	33				
AXC125A	62	0.58	1650	36	159	127	100	82	68	34							
AXC125B	85	0.70	2350	53	212	185	162	145	128	79	32						
AXC150A	80	0.75	2500	54	247	225	202	178	161	132	92	50					
AXC150B	72	0.73	2580	55	309	271	237	202	171	132	107	88	15				
AXC200A	72	0.72	2550	56	418	397	366	339	306	233	174	110	56				
AXC200B	160	1.52	2700	60	636	618	557	521	494	412	353	271	190	78			
AXC250	250	1.94	2650	63	695	659	610	541	500	359	279	197	125	41			
AXC300A	190	2.07	2650	68	865	824	765	736	677	553	459	365	283	124			
AXC300B	345	2.78	2765	74	1198	1165	1052	981	945	796	615	453	363	178	65		
AXC355A	334	2.88	1360	57	1325	1220	1105	985	860	688	550	400	238				
AXC355B	830	7.81	2900	77	1400	1375	1360	1335	1285	1220	1135	1075	1000	880	675		

Dimensional Data

MODEL	D (in.)	d (in.)	a (in.)	B (in.)	WT (lbs)
AXC100A	9.5	3.9	1.0	8.3	6.5
AXC100B	9.5	3.9	1.0	8.3	6.5
AXC125A	9.5	4.8	1.0	8.3	6.5
AXC125B	9.5	4.8	1.0	8.3	6.5
AXC150A	9.5	5.8	1.0	8.3	6.5
AXC150B	13.2	5.8	1.0	9.1	11.0
AXC200A	13.2	7.8	1.0	9.1	11.0
AXC200B	13.2	7.8	1.0	9.1	11.0
AXC250	13.2	9.8	1.0	9.1	11.0
AXC300A	15.9	11.8	1.2	11.8	18.0
AXC300B	15.9	11.8	1.2	11.8	20.0
AXC355A	19.0	14.0	1.5	15.7	26.0
AXC355B	19.0	14.0	1.5	15.7	31.0

* The sound pressure level dBA has been measured in accordance with the international standard ISO 3744. It is the average free field value taken at a radius of 1 meter from the fan, fully ducted, and located above a reflecting plane.

At present, there is no standard for some level testing of remote mounted fans. Sound levels can be affected by the type of duct used, size of duct, distance of the fan from the interior grille/diffuser, and other pertinent factors. Sound tests that do not consider these factors are irrelevant.



Note: AXC models 100A through 300B are UL and CSA listed products.



Note: AXC models 355A and 355B are CSA listed to both US and Canadian standards.



CFM
Continental Fan Manufacturing Inc.
203 Eggert Road
Buffalo, NY 14215
Tel: 716-842-0670 Toll: 800-779-4021
Fax: 716-842-0611
www.continentalfan.com

AEROFLO
Aeroflo Inc.
12-205 Matheson Blvd. East
Mississauga, Ontario, Canada L4Z 3E3
Tel: 905-890-6192 Toll: 800-779-4021
Fax: 905-890-6193
www.aeroflo.com

Distributed By:

Free Manuals Download Website

<http://myh66.com>

<http://usermanuals.us>

<http://www.somanuals.com>

<http://www.4manuals.cc>

<http://www.manual-lib.com>

<http://www.404manual.com>

<http://www.luxmanual.com>

<http://aubethermostatmanual.com>

Golf course search by state

<http://golfingnear.com>

Email search by domain

<http://emailbydomain.com>

Auto manuals search

<http://auto.somanuals.com>

TV manuals search

<http://tv.somanuals.com>