



## IN-LINE FANS

*better AIRFLOW  
by DESIGN™*



**AIB  
BELT DRIVE  
TUBEAXIALS**

- Spark resistant, cast aluminum airfoil axial impeller
- Aerodynamically efficient performance
- Factory set adjustable pitch blades
- Heavy duty welded steel construction
- TEFC industrial duty motor
- Mountable in ductwork in any position
- Sizes range from 12" to 60"
- Belt drive capacities to 54,000 cfm

# AIB BELT DRIVE TUBEAXIAL FANS

## STANDARD FEATURES & BENEFITS

- Spark resistant, cast aluminum airfoil axial impeller
- Factory set adjustable pitch blades
- Aerodynamically efficient performance
- Heavy duty welded steel and angle ring construction
- Air dried enamel paint finish
- Mountable in ductwork in any position
- TEFC industrial duty motor
- Motor located outside of air stream
- Self-aligning pillow block ball bearings
- V-belt drives for low speed operation
- Completely sealed belt tube protects sheaves and belts from air stream
- Maximum 225 F operation
- Extended lube lines
- Shaft seal & water slinger

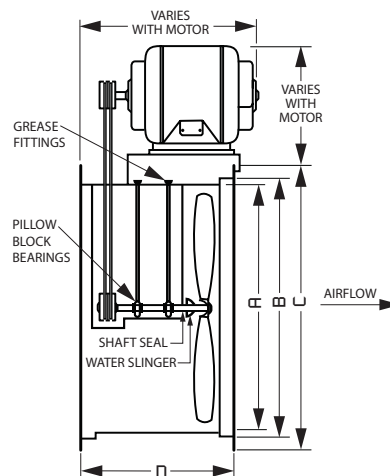
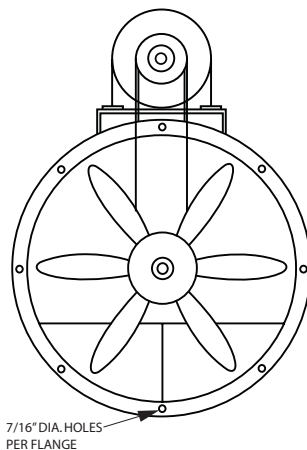


## APPLICATIONS

- Process ventilation
- In-line duct booster
- Moisture laden air
- General ventilation
- Fumes, dust or smoke removal
- Contaminated air streams

## ACCESSORIES / OPTIONS

- Epoxy or Eisenheiss coatings
- Horizontal mounting brackets
- Vertical mounting brackets
- Mounting legs
- Reverse flow construction
- Propeller side guard
- Motor side guard
- Inspection door
- Companion flanges
- Variable pitch sheaves
- 304 or 316 stainless steel construction
- Maximum 375 F construction
- Explosion proof & special duty motors
- Motor cover and/or belt guard
- AMCA spark resistant construction



MODEL	DIMENSIONS IN INCHES*				WT (LBS) LESS MTR	MAX MTR FRAME
	A	B	C	D		
AIB-12	12	13.1	14	18	50	143T
AIB-15	15	16.1	17	18	65	143T
AIB-18	18	19.1	20	18	80	145T
AIB-24	24	25.8	27	18	100	184T
AIB-27	27	28.8	30	18	115	184T
AIB-30	30	31.8	33	18	125	184T
AIB-34	34	35.8	37	18	150	184T
AIB-36	36	37.9	39	18	195	215T
AIB-42	42	43.6	45	22	280	215T
AIB-48	48	49.6	51	24	345	215T
AIB-54	54	55.6	57	28	430	215T
AIB-60	60	61.6	63	30	540	215T

\*DO NOT USE FOR CONSTRUCTION

MODEL	PERFORMANCE RATING	
	MINIMUM CFM	MAXIMUM CFM
AIB-12	600	2,044
AIB-15	1,000	4,250
AIB-18	1,500	5,350
AIB-24	1,775	11,400
AIB-27	2,000	13,480
AIB-30	3,500	16,440
AIB-34	6,700	20,500
AIB-36	9,500	22,500
AIB-42	9,950	33,300
AIB-48	13,900	41,200
AIB-54	18,000	45,000
AIB-60	20,000	54,000

CONSULT FACTORY FOR CERTIFIED PRINTS

# AIB BELT DRIVE TUBEAXIAL FANS

## PRODUCT SPECIFICATION GUIDE

### 1.0 GENERAL

- A. Fans shall be model AIB Belt Drive Tubeaxial Fans, as manufactured by Continental Fan Manufacturing Inc., of Buffalo, NY, and of the size and capacity as indicated on the drawings and fan schedule.
- B. Fans shall be rated and tested in accordance with ANSI/AMCA Standard 210-99.
- C. All motors and electrical components shall conform to NEMA standards.

### 2.0 FAN HOUSING

- A. Fan housing shall be constructed of heavy gauge steel and welded angle ring flanges.
- B. Fan motor base shall be adjustable, and be located on the exterior of the fan housing.
- C. Fan belt tube shall be completely sealed, and shall isolate the bearings from ambient and/or contaminated airstreams.
- D. Fan housing and motor base shall be coated with an air dried gray enamel finish.

### 3.0 FAN IMPELLER

- A. Axial impeller shall be constructed of spark resistant, die cast aluminum airfoil shaped blades secured to a die cast aluminum hub assembly.
- B. Axial impeller blades shall be of adjustable pitch construction with multiple hub-to-blade arrangements to maximize air performance. Blade pitch angles shall be factory set.
- C. Axial impeller hub shall be designed to incorporate a split taper bushing, and be keyed directly to motor shaft.

### 4.0 FAN MOTOR AND DRIVE

- A. Motor shall be TEFC industrial duty and conform to NEMA standards.
- B. Motor shall be of voltage, horsepower, RPM and enclosure as indicated on the fan schedule.
- C. Fan sheaves shall be cast iron and appropriately sized and aligned.
- D. Fan belts shall be static conducting, plus oil and heat resistant.
- E. Fan shaft shall be steel, turned, ground and polished.
- F. Fan shaft bearings shall be lubricated, self-aligning ball type in cast iron pillow block mounts with external grease fittings.

### 5.0 OPTIONAL FAN ACCESSORIES

- A. Where indicated, fan shall be provided with the following optional accessories:
  - Guards
    - Propeller side
    - Motor side
  - Mounting brackets
    - Horizontal
    - Vertical
  - Mounting legs
  - Inspection door
  - Companion flanges
  - Motor cover and/or belt guard
  - Protective coatings for fan housing
    - Epoxy
    - Eisenheiss
  - Motors
    - Explosion proof
    - Special duty
  - 304 stainless steel construction
  - 316 stainless steel construction
  - AMCA spark resistant construction
  - Variable pitch sheaves

### 6.0 FAN TESTING

- A. Axial impeller shall be balanced and mounted in fan assembly.
- B. Fan assembly shall be run and tested prior to shipment.
- C. A test report shall be maintained on file for each individual fan.

## **Industrial Fan Division**

The Industrial Fan Division offers superbly crafted industrial fans and ventilators, expertly supported by a network of independent manufacturers' representatives.



*Panel Fans*

*Centrifugal Fans*

*Flange Fans*

*In-line Fans*

*Roof Ventilators*

*Iris Dampers*

## **OEM Fan Division**

The OEM Fan Division works closely with original equipment manufacturers to meet their design requirements, offering in-stock fan components, 3D models and custom fan solutions.



*Cabinet Cooling Fans*

*Motorized Axials*

*Motorized Impellers*

*Centrifugal Fans*

*Axial Impellers*

*Centrifugal Impellers*

## **Wholesale Products Division**

The Wholesale Products Division offers a superior line of in-stock commercial and residential ventilation products, available from wholesalers and distributors across North America.



*Bathroom Fans*

*Air Purification Systems*

*In-Line Duct Fans*

*External Mount Fans*

*Radial Blade Blowers*

*Exhaust Fans*

**USA**

[www.continentalfan.com](http://www.continentalfan.com)

Continental Fan Manufacturing Inc.  
203 Eggert Road, Buffalo, NY 14215  
Tel: (716) 842 0670 Fax: (716) 842 0611

**Canada**

[www.aeroflo.com](http://www.aeroflo.com)

Aeroflo Inc.  
12-205 Matheson Blvd. E., Mississauga, ON L4Z 3E3  
Tel: (905) 890 6192 Fax: (905) 890 6193

# AIB BELT DRIVE TUBEAXIALS



AIB-1006

## Free Manuals Download Website

<http://myh66.com>

<http://usermanuals.us>

<http://www.somanuals.com>

<http://www.4manuals.cc>

<http://www.manual-lib.com>

<http://www.404manual.com>

<http://www.luxmanual.com>

<http://aubethermostatmanual.com>

Golf course search by state

<http://golfingnear.com>

Email search by domain

<http://emailbydomain.com>

Auto manuals search

<http://auto.somanuals.com>

TV manuals search

<http://tv.somanuals.com>