

AEROFAN SUPERIOR BATHROOM FANS

READ AND SAVE THESE INSTRUCTIONS FOR FUTURE REFERENCE



PACKAGE CONTENTS

- AeroFan superior bathroom fan
- Mounting brackets (3)
- Lamps - 26W PL & 4W night light (selected models only)

BEFORE INSTALLATION

WARNING!
TO REDUCE THE RISK OF FIRE, ELECTRICAL SHOCK, OR INJURY TO PERSONS, OBSERVE THE FOLLOWING:

1. Use this unit in the manner intended by the manufacturer. If you have any questions, contact the manufacturer.
2. Before servicing or cleaning unit, switch power off at service panel and lock the service disconnecting means to prevent power from being switched on accidentally. When the service disconnecting means cannot be locked, securely fasten a prominent warning device, such as a tag, to the service panel.
3. Installation work including the electrical wiring must be done, in accordance with all applicable codes and standards, by a qualified person.
4. When cutting into ceilings, take care not to damage concealed electrical wiring or any other hidden utilities.
5. Ducted fans must always be vented to the outdoors.
6. NEVER place a switch where it can be reached from a tub or shower. To prevent electrical hazards the fan must be installed so as to prevent water from entering the fan. The fan must not be installed in a place that is prone to water leakage.
7. Not for use in cooking areas. (Figure 1)
8. These fans must be mounted to structural members that are strong enough to support the fan's weight.
9. The fan must be properly grounded.
10. Do not allow foreign objects to enter the fan; this could result in electric shock or fan damage.
11. Do not block the air intake or exhaust.
12. The fan should not be turned on and off rapidly.
13. If the fan is not operating properly, shut the power off immediately, and have a certified electrician inspect it and have it serviced as required.
14. Do not clean the fan with corrosive chemicals nor water in excess of 60C (140F).
15. Power supply wiring is to be No. 14AWG wire or larger (suitable for at least 90C (190F)).
16. Not for use outdoors.
17. For the lighted units, use only PL type 26W lamps and a maximum of 4W type E12 T20 lamp for the night light (models TBFR90L, TBFS90L, TBFR120L, TBFS120L).
18. The fan is type IC (Inherently Protected).

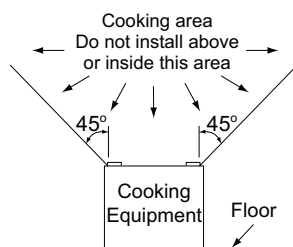


Figure 1

19. The fan must not be installed in a ceiling with an "R" rating greater than 40.
20. To reduce the risk of injury, install the fan at least 2.1m (7 feet) above the floor.
21. The following models are suitable for installation over a shower or tub when installed in a GFCI protected branch circuit (TBF90, TBF120, TBFR90L and TBFR120L).
22. **WARNING:** To reduce the risk of fire or electrical shock, do not use this fan with any solid state speed control device.

CAUTION!

1. For general ventilating use only. Do not use to exhaust hazardous or explosive materials and vapors.
2. This product is designed for installation in flat ceilings only. Do not install it in a sloping ceiling or in a wall.
3. To avoid motor bearing damage and noisy unbalanced impellers keep construction material / dust from entering the fan.
4. Please read specification label on the product for further information and requirements.

FAN INSTALLATION

The fan should only be installed in a ceiling (see figure 2 for a typical installation). The fan will accommodate a joist spacing of 16" with a minimum clearance height of 9".

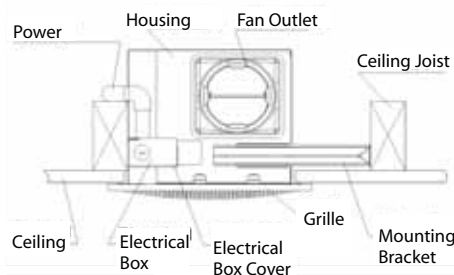


Figure 2

1. Remove the grille by gently squeezing the wire springs and extracting them from the slots in the housing.
2. Remove the electrical box cover and install the 3 brackets on the fan housing. (Figure 3)

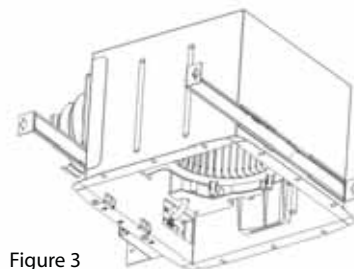
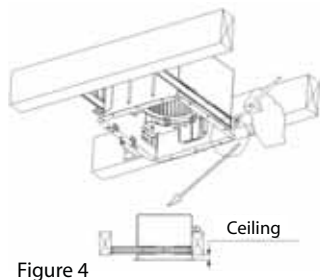


Figure 3

- To install the housing in the ceiling, position it between the joists and extend the brackets to the adjacent joists. Mark the screw locations (at the top of the keyhole on each bracket) on the joists. Note: make sure to allow the appropriate depth for the particular ceiling type. The bottom edge of the housing should be flush with the ceiling. (Figure 4)
- Remove the housing and drive the screws part way into the joists at the marked locations.
- Mount the housing using the screws in the joists and then secure them tightly. Make all the electrical connections in the electrical box, per the wiring diagram, and attach the electrical box cover. Attach the discharge duct tightly onto the fan outlet.



- Note: In order for the fan to operate efficiently, keep the discharge duct as straight as possible.
- To complete the installation, install the lamps (if applicable) and mount the grille.

RECOMMENDED MAINTENANCE

- Turn the power off and lock it out prior to servicing or cleaning.
- To clean the grille, first remove it from the fan then use a soft brush and clean water to remove the dirt. If the dirt is not easily removed, wash with a neutral detergent.
- In order to remove the impeller and housing for maintenance, first remove the light, night light and reflector (if applicable). Then unplug the electrical connection and remove the 4 screws that secure the fan assembly to the housing. To clean the impeller and housing, remove the motor and then wash with water or a neutral detergent, as required.

Note: Keep all electrical components away from water. Do not use corrosive chemicals or water in excess of 60C (140F) to clean plastic parts.

WIRING PROCEDURE

Refer to the wiring diagram.

FAN SPECIFICATIONS

MODEL	VOLTAGE (V)	FREQUENCY (HZ)	POWER CONSUMPTION (W)			SPEED (RPM)	AIRFLOW (CFM)
			MOTOR	PL LAMP	NIGHT LIGHT		
TBF90	120	60	25	--	--	750/1050	60/90
TBF120	120	60	40	--	--	775/1050	90/120
TBFS90L	120	60	25	26	4	750/1050	60/90
TBFS120L	120	60	40	26	4	775/1050	90/120
TBFR90L	120	60	25	26	4	750/1050	60/90
TBFR120L	120	60	40	26	4	775/1050	90/120

CONDENSED WARRANTY

All warranty claims must be processed through point of purchase. All warranty repair work must be authorized by Vendor.

AeroFan Superior Bathroom Fans are warranted against defects in material and workmanship for a period of three years from date of purchase. Warranty does not include consumable components such as lamps. All other products are warranted for a period of one year from date of purchase.

WARRANTY DOES NOT APPLY TO:

- Shipping damage, either concealed or visible. Claims must be filed with the carrier.
- Damage caused by improper installation, wiring, or incorrect electrical voltage.
- Materials that have been modified, altered, or disassembled.
- Damage caused by corrosion, erosion, abrasion or severe temperature.
- Materials that have had the identification labels removed or altered.
- Materials that have been subjected to abuse, misuse, abnormal usage, or accident.
- Materials that have not been properly maintained.

No other warranties, expressed, implied or written shall apply to this product. Vendor will not be responsible for any consequential or incidental damages, loss of property, revenues or profit, cost of removal, installation, or reinstallation, personal damage or loss of life, or for any breach of warranty, regardless of how caused.

For a complete description of our Limited Warranty conditions, visit www.continentalfan.com.

USA

www.continentalfan.com

Continental Fan Manufacturing Inc.

203 Eggert Rd.
Buffalo, NY 14215

Tel: 716-842-0670 Toll: 800-779-4021 Fax: 716-842-0611

Canada

www.aeroflo.com

Aeroflo Inc.

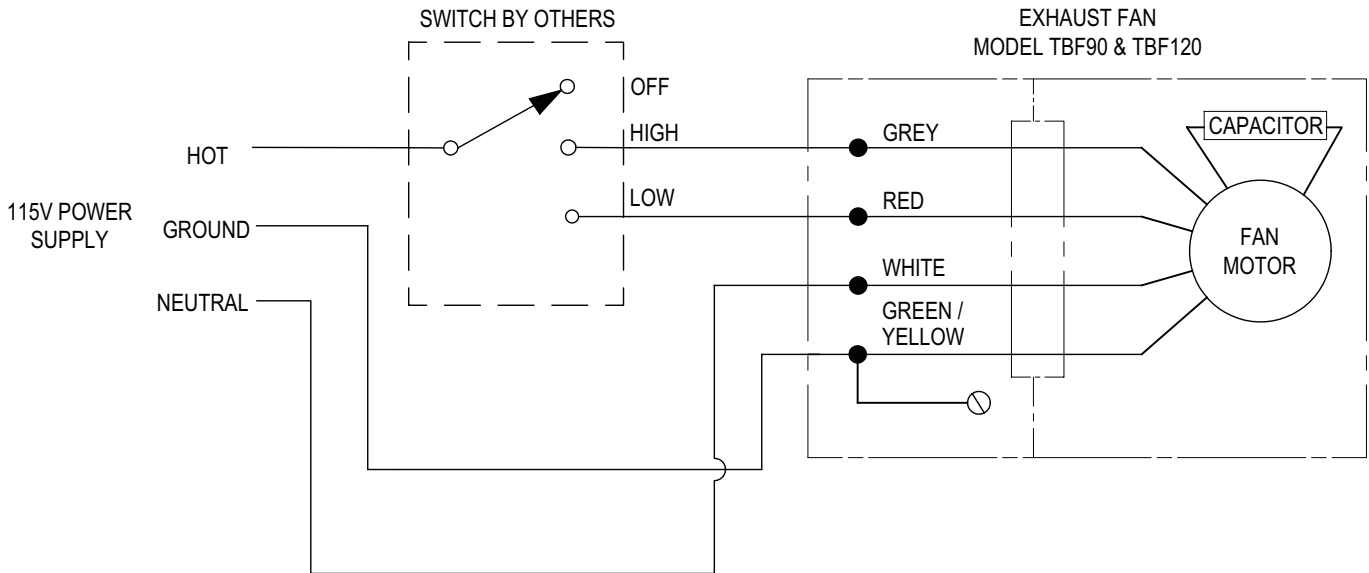
12-205 Matheson Blvd. East
Mississauga, ON L4Z 3E3

Tel: 905-890-6192 Toll: 800-779-4021 Fax: 905-890-6193

Download from www.Somanuals.com. All Manuals Search And Download.

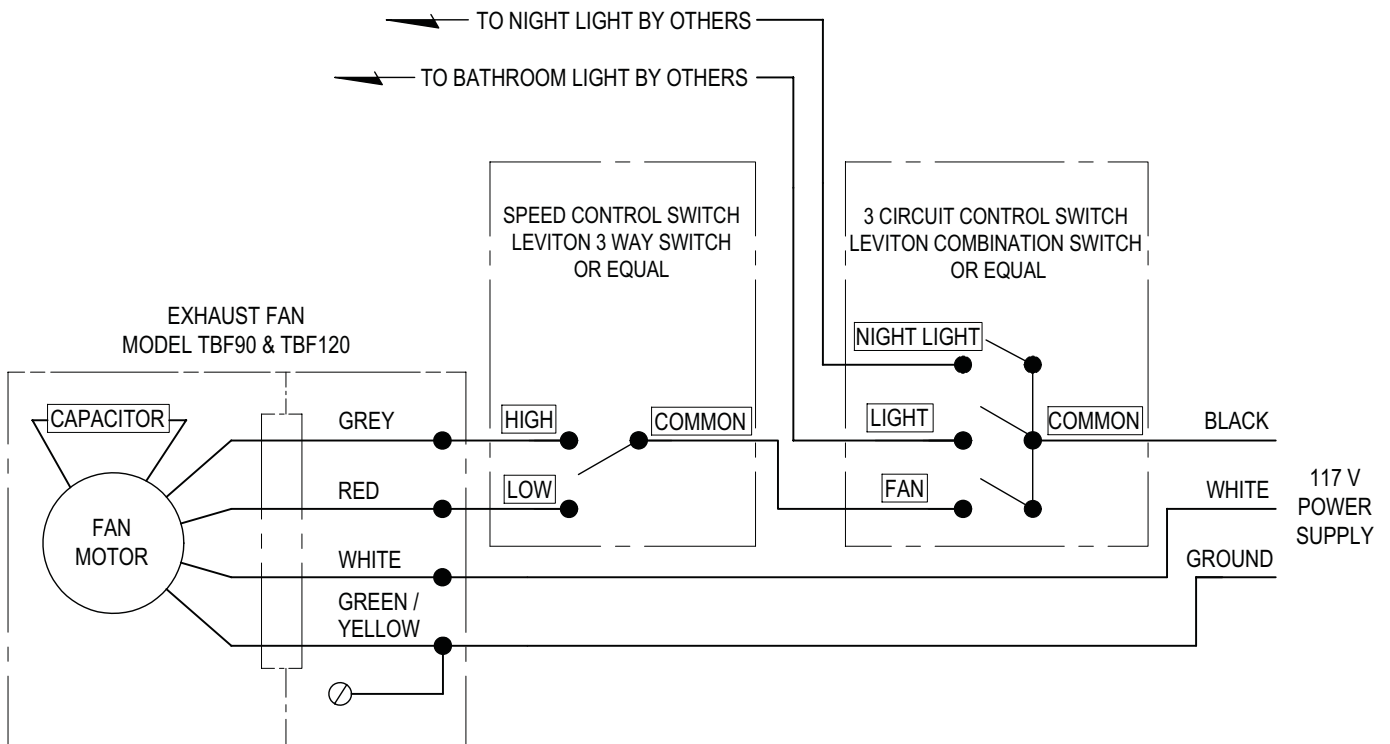
AEROFAN WIRING DIAGRAMS

FAN ONLY (MODELS TBF90, TBF120)



NOTE: MULTIPLE SINGLE POLE SWITCHES MUST NOT BE USED. FAN MOTOR FAILURE WILL OCCUR. REQUIRES THE USE OF ONE THREE POSITION SWITCH FOR OFF, HIGH AND LOW SPEED.

FAN/LIGHT COMBINATION (MODELS TBFR90L, TBFS90L, TBFR120L, TBFS120L)



Free Manuals Download Website

<http://myh66.com>

<http://usermanuals.us>

<http://www.somanuals.com>

<http://www.4manuals.cc>

<http://www.manual-lib.com>

<http://www.404manual.com>

<http://www.luxmanual.com>

<http://aubethermostatmanual.com>

Golf course search by state

<http://golfingnear.com>

Email search by domain

<http://emailbydomain.com>

Auto manuals search

<http://auto.somanuals.com>

TV manuals search

<http://tv.somanuals.com>