

**PLEASE READ THIS MANUAL
BEFORE INSTALLING
AND USING APPLIANCE.**

IMPORTANT: Read all instructions and warnings carefully before starting installation. Failure to follow these instructions may result in a possible fire hazard and will void the warranty.

WARNING: If the information in this manual is not followed exactly, a fire or explosion may result causing property damage, personal injury or loss of life.

FOR YOUR SAFETY

Installation and service must be performed by a qualified installer, service agency, or the gas supplier. Do not store or use gasoline or other flammable vapors and liquids in the vicinity of this or any other appliance.

FOR YOUR SAFETY

If you smell gas:

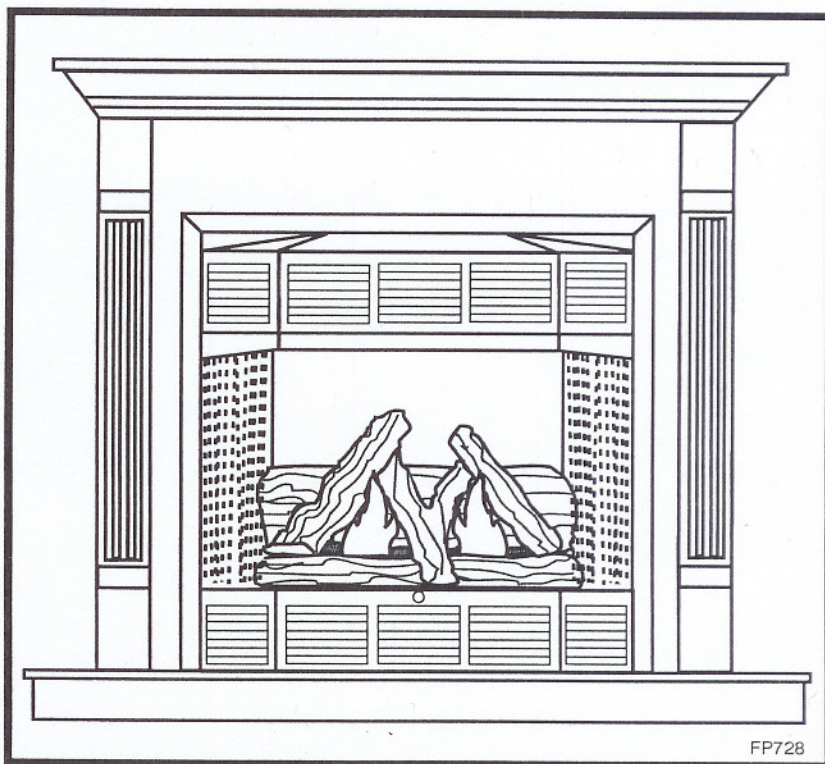
1. Open windows
2. Do not touch electrical switches.
3. Do not try to light any appliance.
4. Extinguish any open flame.
5. Do not use the phone in your building.
6. Immediately call your gas supplier from a neighbor's phone.
7. Follow your gas supplier's instructions.
8. If you cannot reach your gas supplier, call the fire department.

This is an unvented gas-fired heater. It uses air (oxygen) from the room in which it is installed. Provisions for adequate combustion and ventilation air must be provided.

PYROMASTER®

Vent-Free Gas Room Heaters

UVHB26



Installation and Homeowners Operating Instructions



**INSTALLER: DO NOT DISCARD THIS MANUAL
Leave in fireplace for homeowner.**

TABLE OF CONTENTS

General Information	3
Specifications	4
Heater Installation	6
Parts ID	8
Log Installation	10
Operating Instructions	11
Maintenance	13
Troubleshooting - Honeywell VS8421 ...	15
Accessories	16
Replacement Parts	17

GENERAL INFORMATION

This gas room heater should be installed by a qualified installer in accordance with local building codes and with current National Fuel Gas Code, ANSI Z223.1.

This heater should not be installed in a confined space unless provisions are made for adequate combustion and ventilation air.

The National Fuel Gas Code defines a confined space as "a space whose volume is less than 50 cubic feet per 1000 BTU per hour (4.83 per kw) of the aggregate input rating of all appliances installed in that space" and unconfined space as "space."

If the area in which the heater may be operated is smaller than that defined as an "unconfined space," provide adequate combustion and ventilation air by one of the methods described in the National Fuel Code, ANSI Z223.1, 1992, Section 5.3.

FOR SAFE INSTALLATION AND OPERATION OF YOUR PYROMASTER VENT-FREE ROOM HEATER PLEASE NOTE THE FOLLOWING:

1. This heater gives off high temperatures and should be located out of high traffic areas and away from furniture and draperies.
2. Children and adults should be alerted to the hazards of the high surface temperatures of this heater and should stay away to avoid burns or ignition of clothing.
3. Children should be carefully supervised when they are in the same room as your heater.
4. Under no circumstances should this heater be modified. Parts removed for service should be replaced prior to operating this heater again.
5. Installation and any repairs to this heater should be carried out by a qualified service person. A professional service person should be contacted to inspect this heater annually.

Make it a practice to have all of your gas heaters checked annually. More frequent cleaning may be required due to excess lint and dust from carpeting, bedding material, etc.

6. Control compartments, burners and air passages in this heater should be kept clean and free of dust and lint. Make sure that the gas valve and pilot light are turned off before you attempt to clean this unit.
7. Under no circumstances should any solid fuels (wood, coal, paper or cardboard, etc.) be used in this heater.
8. Keep the area around your heater clear of combustible materials, gasoline and other flammable vapor and liquids. This heater should not be used as a drying rack for clothing, nor should Christmas stockings or decorations be hung in the area of it.
9. Upon no circumstance should this Heater be installed in a chase or used with any other mantel than the approved FPS1212 or FPS1214 mantels.
10. Do not install heater in bedroom or bathroom.

SAFETY DEVICES

Adequate combustion and ventilation air must be provided. The flow of combustion and ventilation air **MUST NOT** be obstructed.

Provide adequate clearances around the air opening into the combustion chamber; and adequate accessibility clearance for servicing and proper operation. **NEVER** obstruct the front opening of the heater or cover the top and bottom louvers.

These heaters are equipped with a pilot system featuring an Oxygen Depletion Sensor (O.D.S.) shut-off device. All unvented heaters are required to have this system. The O.D.S. pilot will shut down the heater when there is not enough fresh air available.

Report any parts damaged in shipment to your dealer.

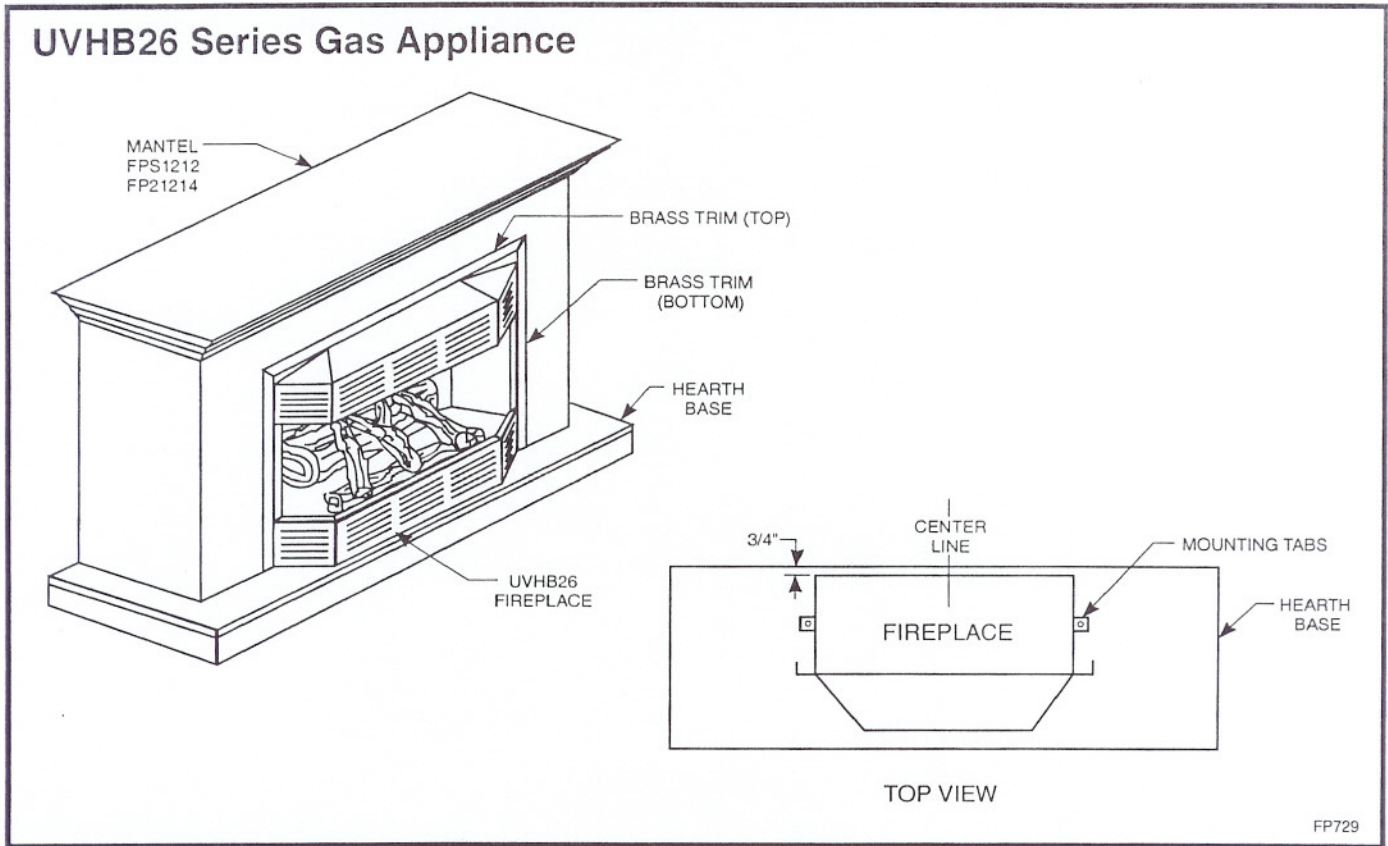
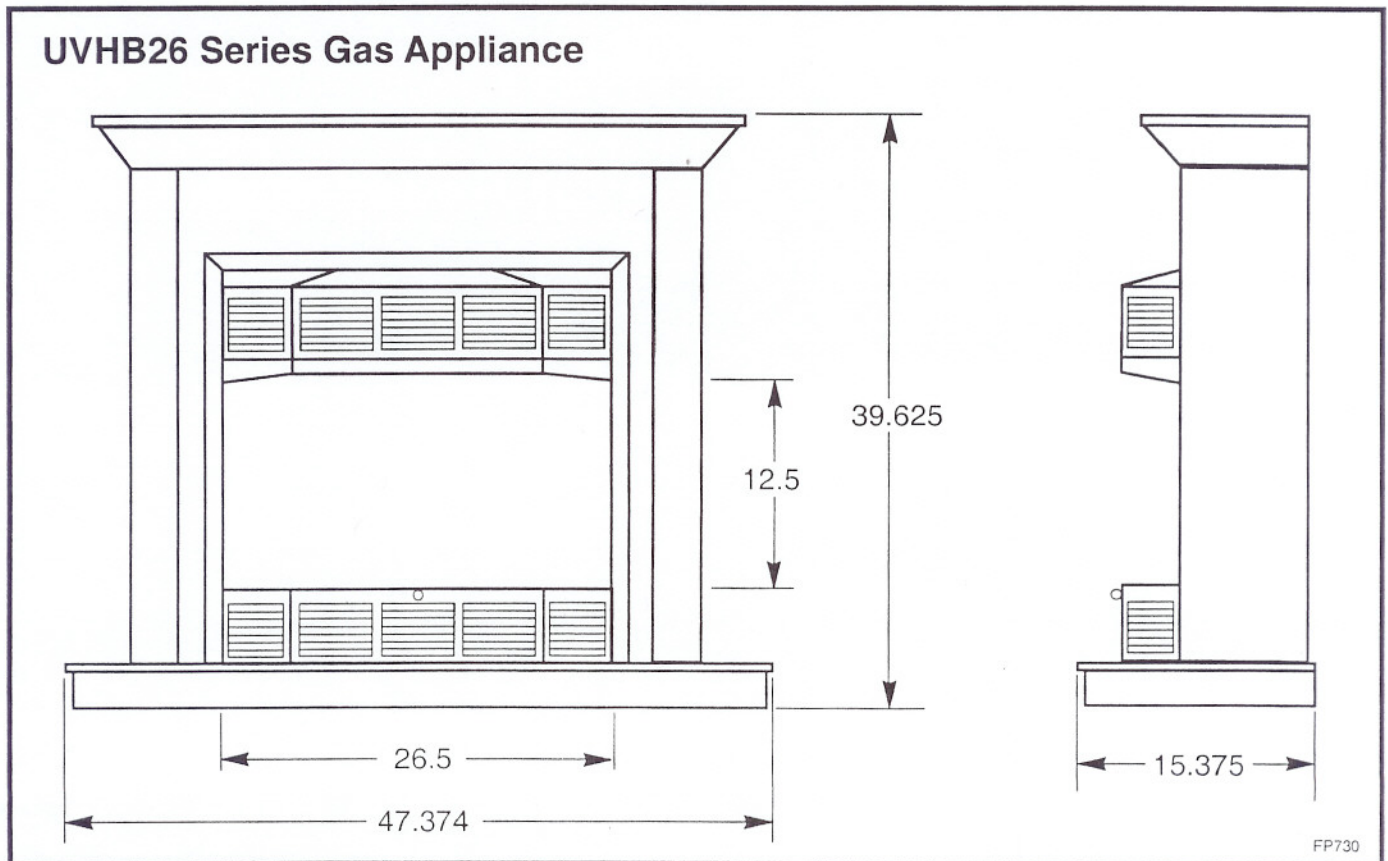


Fig. 1. UVHB26 Series specifications.



UVHB26 Series specifications and dimensions.

DESCRIPTION

The UVHB vent-free heaters is designed to be installed into a FPS1212 or FPS1214 mantel cabinet only. It may not be installed in any other manner.

The UVHB26 is available in Natural or Propane gas, equipped with an oxygen depletion sensor with a standing pilot.

MINIMUM CLEARANCES

Minimum clearance to combustibles are maintained when the UVHB26 is installed into the FPS1212 or FPS1214 mantel cabinets. Top of unit to ceiling minimum 42 inches.

GAS SUPPLY PRESSURES

This heater must be isolated from the gas supply piping system by closing its individual manual shut-off valve during any pressure equal to or less than 1/2 psig (3.45 kPa).

The heater and its individual shut-off valve must be disconnected from the gas supply piping system during any pressure testing of that system at test pressures in excess of 1/2 psig (3.45 kPa).

	NATURAL	LP
Inlet Minimum	4.5" W.C.	11" W.C.
Inlet Maximum	10.5" W.C.	13" W.C.
Input Adjustment	7.0" W.C.	11" W.C.
Manifold Pressure	3.5" W.C.	10" W.C.

Table 1. Gas supply pressures.

HIGH ELEVATION DERATING

Input ratings are shown in BTU per hour and are for elevations up to 4,500 (1370m) feet.

For elevations above 4,500 (1370m) feet, ratings should be reduced at the rate of four (4) percent for each 1,000 feet above sea level.

GAS SPECIFICATIONS

Model	Fuel	Gas Control	Max. Input B.T.U.H.	Min. Input B.T.U.H.
UVHB26RN	Natural	Millivolts Hi/Lo	26,000	18,200
UVHB26RP	Propane	Millivolts Hi/Lo	26,000	19,500

Fig. 2. Gas specifications.

PLANNING

Planning the installation is an important first step: it will save time and money later in the actual installation. In planning the installation, consider:

1. Where the heater will be located.
2. All components needed to complete the project.

INSTALLATION

❑ 1. PREPARING THE UVHB26

To be sure that each step of the heater installation is in order, use the check-off boxes provided.

The UVHB26 may only be used with the approved mantel and hearth assembly.

1. **After** determining a location, open the mantel hearth base carton and place into position on a solid surface. NOTE: Be sure to level the base before setting the UVHB26 heater in place.
2. Place the heater on the hearth base centering side to side and 3/4" from the back edge of the hearth base (See Fig. 1.)
3. Bend the lower mounting tabs down against the hearth base and secure with two (2) wood screws (See Fig. 1.)

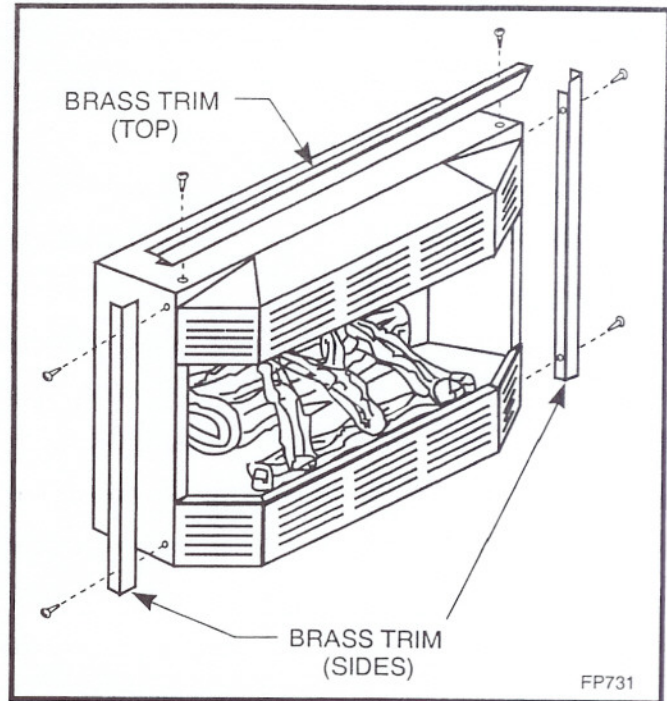


Fig. 3. Insulating brass trim.

❑ 2. INSTALLING BRASS TRIM

1. Remove brass trim (3 pieces) from carton and remove the protective coating from each piece.
2. Using the provides (2) screws attached the side pieces to the heater (See Fig.3.)
3. Mount the top trim to the heater and be sure to overlap top trim to the front side of the side trim pieces.

3. RUN GAS LINE FROM ITS SOURCE TO THE HEATER

If gas piping from the source to the heater location has not been accomplished, install the required pipe. Consult local plumbing code to assure proper pipe size.

The gas pipeline can be brought in through the right side of the heater.

NOTE: The gas line connection can be made with properly tinned 3/8" copper tubing, 1/2" rigid pipe or an approved flex connector, then reduced to 3/8" to the heater. Because some municipalities have some additional local codes, it is always best to consult your local authority. Consult the current National Fuel Gas Code, ANSI Z223.1



Always check for gas leaks with a mild soap and water solution. **Do not use an open flame for leak testing.**

The gas control is equipped with a captured screw type pressure test point, therefore it is not necessary to provide a 1/8" test point up stream of the control.

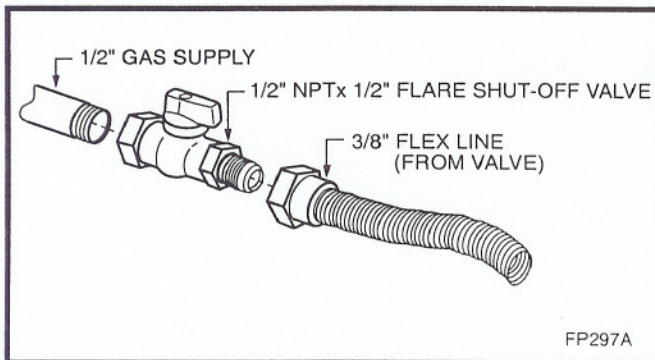


Fig. 4. Typical gas supply intallation..

4. OPTIONAL FK24 FAN HOOK-UP

NOTE: The FK24 fan should be installed before the mantel cabinet is complete. Later installation will be more difficult.

1. Remove the two (2) screws holding the screen rods inside the bay top. Remove the screen and rods then set aside.
2. Remove the bay top by removing three (3) screws securing it to the combustion dome.
3. Tip out and lift the bay top and set aside.
4. Remove three (3) nuts securing the fan bracket to the back of the heater.
5. Remove the (2) screws holding the bracket to the fan. Discard this bracket.
6. Remove the two (2) wires attached to the fan and assemble the fan to the bracket as shown in figure 6.
7. Attach the fan assembly to the back of the heater with the three (3) nuts.
8. Attach the electrical flag connectors to the fan motor using the wire extension (See fig. 5.)
9. Feed the wire down the 1-inch diameter hole in the left side of the radiant shield. Push plastic bushing in hole.
10. Hook the wire extension to the wire leads from the fan control box. **NOTE:** These leads were hooked to the motor earlier.
11. Mount the thermo-disc to the shield under the burner pan and secure with two (2) nuts.
12. Mount the fan on-off control to the base with the studs provided and secure with two (2) nuts.
13. Feed the plug through the 4" x 5" hole on the left side of the heater and plug into a wall receptacle.
14. Repeat steps 1 through 3 to reassemble the heater.

FAN OPERATION

The FK24 fan has a heat sensor that will not allow the fan to come on until heater reaches a preset temperature, approximately 100-120° F. Once the heater reaches temperature use the speed control knob to turn fan on and off to adjust fan speed.

5. FINAL ASSEMBLY

1. Final assembly is accomplished by lifting the mantel cabinet overtop of the heater behind the brass trim pieces.
2. **NOTE:** The mantel is designed to fit flush to the wall as a freestanding unit. If desired, it may be secured to the wall with nails or screws (not provided).

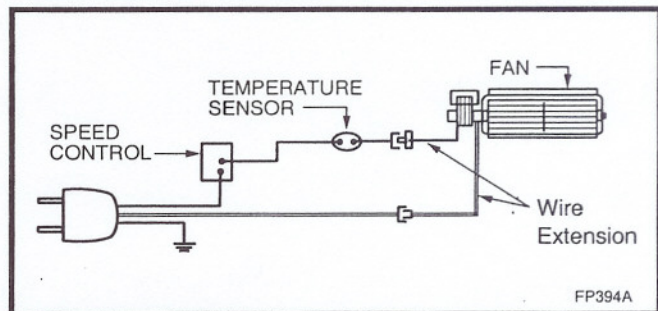


Fig. 5. Wiring diagram.

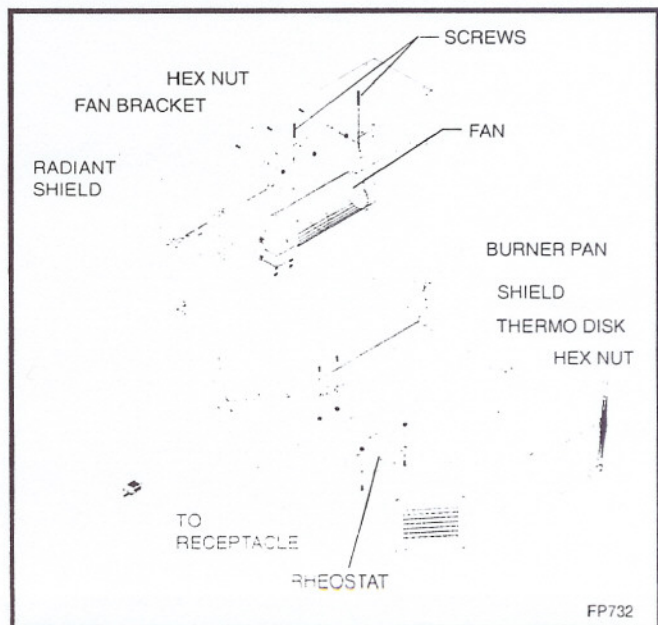


Fig. 6. Parts identification.



WHEN INSTALLED, THE HEATER MUST BE ELECTRICALLY CONNECTED AND GROUNDED IN ACCORDANCE WITH LOCAL CODES OR, IN THE ABSENCE OF LOCAL CODES:

OR, IN THE ABSENCE OF LOCAL CODES:

U.S. INSTALLATIONS: FOLLOW LOCAL CODES AND THE NATIONAL ELECTRICAL CODE, ANSI/NFPA NO. 70.

OPTIONAL

6. REMOTE WALL SWITCH (RN AND RP MODELS ONLY)

1. Thread wire through the square hole located on either side of unit. Do not cut wire or insulation on metal edges. Ensure that wire is protected. Run the other end to a conveniently located wall receptacle box.
2. Attach wire to switch and install switch into receptacle box. Attach cover plate to switch.
3. Connect wiring to gas valve. Loosen the screws, remove jumper as shown in Fig 7. Install one lead from the wall switch to TH. Install the other lead to TH/TP.



CAUTION: DO NOT WIRE MILLI-VOLT REMOTE WALL SWITCH FOR GAS HEATER TO A 120V POWER SUPPLY. For lighting instructions, see page 11.

4. To turn the gas valve on, put the wall switch to the 'ON' position.

7. BOTTOM LOUVRE (GRILLE) REMOVAL

To remove the bottom louvre (grille), lift louvre up and then out. See Figure 8.

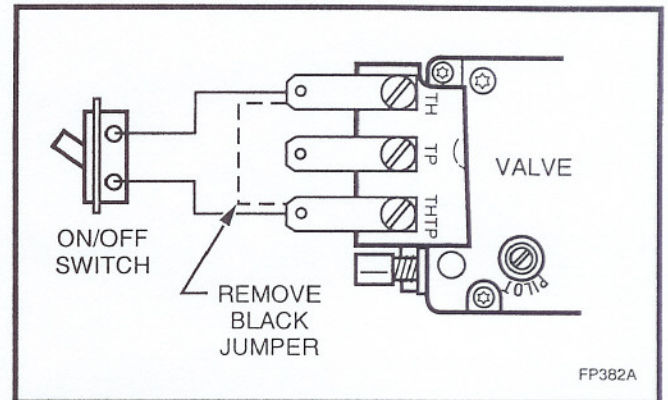


Fig. 7. Remote switch wiring.

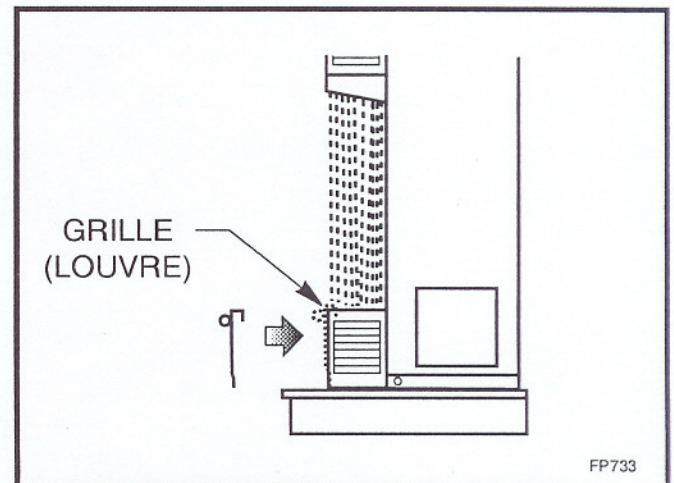


Fig. 8. Louvre installation and removal.

10. LOG INSTALLATION (refer to fig. 9)

1. Set the back log on the studs attached to the burner pan.
2. Install the front log in-between the ember guard and front lip of the unit. This should be a snug fit.
3. Set the "Y" log in the notches in the front and rear logs.
4. Set the right cross log in the right notch of the front log and the other end on the dimple of the "Y" log.
5. Set the left cross log on the dimple of the "Y" cross log and the opposite end in the groove in the back of the front log.

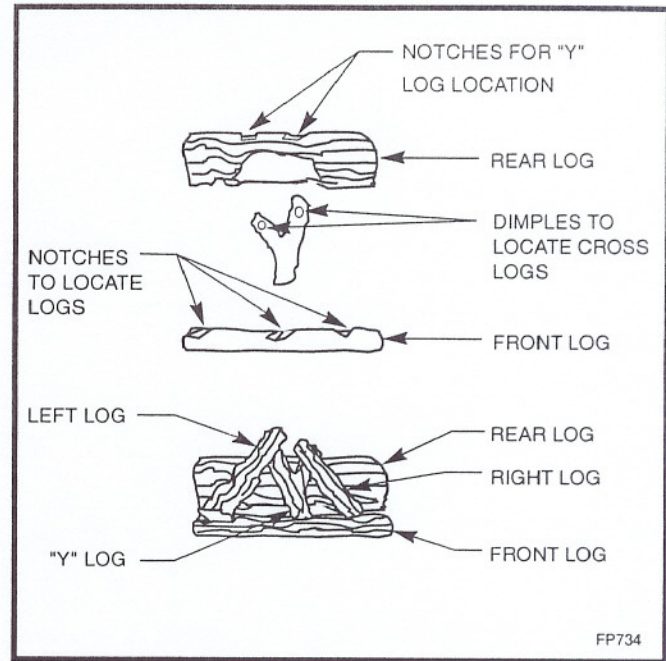


Fig. 9. Log locations.

9. ROCK PLACEMENT

1. Lava Rock

The lava rock provided with this heater must be placed on the wire screen in the center of the burner tube. Place just enough lava rock to cover the screen. Do not pile the rock.

2. Volcanic rock



Spread the volcanic rock (gravel size) on the burner pan of the fireplace. This will give the fireplace a realistic look.

Under no circumstances should this lava rock be placed on any part of the burner tube.

OPERATING INSTRUCTIONS

FIRST FIRING

Upon completing the gas line connection, a small amount of air will be trapped in the line. When first lighting the unit with pilot light, it will take a few minutes to purge the trapped air. Once purging is complete, the pilot and burner will light and operate as indicated in the instruction manual. Subsequent lightings of the appliance will not require purging.

When lit for the first time, the appliance will emit a slight odor for an hour or two. This is due to paint and lubricants used in the manufacturing process. After each lighting, vapor may condense and fog the glass; this moisture disappears in a few minutes of burning.

SAFETY PRECAUTIONS FOR STANDING PILOT HEATERS

FOR YOUR SAFETY — READ THIS SECTION BEFORE LIGHTING!



WARNING: IF YOU DO NOT FOLLOW THESE INSTRUCTIONS EXACTLY, A FIRE OR EXPLOSION MAY RESULT CAUSING PROPERTY DAMAGE, PERSONAL INJURY OR LOSS OF LIFE.

A. BEFORE LIGHTING smell all around the appliance area for gas. Be sure to smell next to floor because some gas is heavier than air and will settle on the floor.

IF YOU SMELL GAS:

1. Do not try to light any appliance.
2. Do not touch electrical switches; do not use any phone in your building.
3. Immediately call your gas supplier from a neighbor's phone. Follow your gas supplier's instructions.
4. If you cannot reach your gas supplier, call the fire department.

B. Use only your hand to push in or turn the gas valve control knob. Never use tools. If the knob will not push in or turn by hand, don't try to

repair it, call a qualified service technician. Force or attempted repair may result in a fire or explosion.

C. Do not use this appliance if any part has been under water. Immediately call a qualified service technician to inspect the appliance and to replace any part of this control system and any gas control which has been underwater.

LIGHTING INSTRUCTIONS FOR HONEYWELL

1. **STOP!** Read the safety information above.
2. To access the controls, Remove lower louvre.
3. Turn wall switch and wireless remote OFF (if used).
4. Push in gas control knob slightly and turn clockwise ↻ to OFF. See figure 10.
5. **WAIT 5 MINUTES TO CLEAR OUT ANY GAS.** If you then smell gas, **STOP!** Follow **A** in the safety information. If you do not smell gas, go to next step.

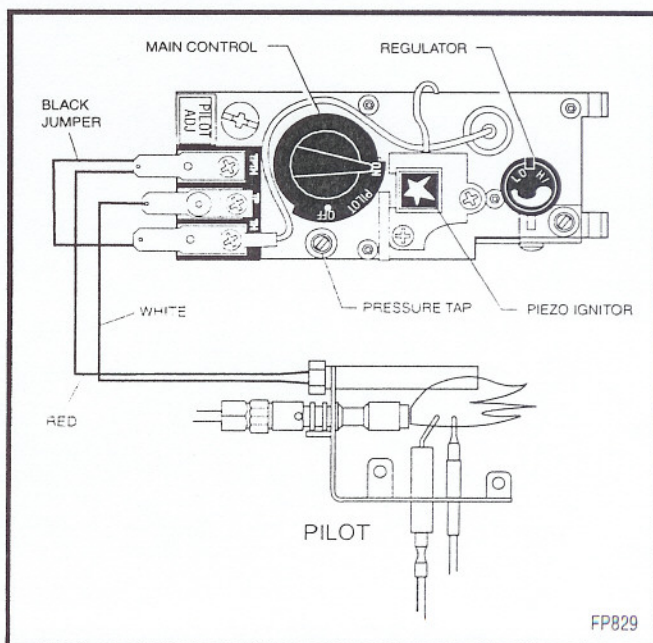





Fig. 10. Honeywell valve and pilot assembly.

6. Turn knob on gas control counterclockwise  to PILOT.
7. Push in control knob all the way and immediately light pilot depressing the piezo igniter button at least once every second until a flame appears. Continue to hold the control knob in for about one (1) minute after the pilot is lit. Release knob and it will pop back out. Pilot should remain lit. If it goes out, repeat steps 4 through 7.
 - If the knob does not pop out when released, stop and call your service technician or gas supplier.
 - If the gas pilot will not stay lit after several tries, turn the gas control knob OFF and call your service technician or gas supplier.
8. After the pilot has been lit, the burner can be turned on by turning knob counterclockwise  to the ON position. See figure 11.
9. Replace bottom louver.

TO TURN OFF GAS TO APPLIANCE

1. To access the controls, remove lower louver.
2. Turn wall switch or wireless remote (if used) to OFF.
3. Push in gas control knob slightly and turn clockwise  to OFF. Do not force.
4. Install bottom louver.

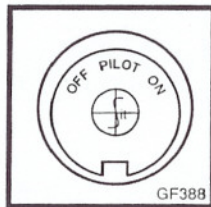


Fig. 11.

MAINTENANCE

Keep the control compartment, logs and burner area surrounding the logs clean by vacuuming or brushing at least twice a year. **THE LOGS CAN GET VERY HOT — HANDLE ONLY WHEN COOL.**

Always turn off gas to the pilot before cleaning. For relighting, refer to lighting instructions located on the front cover plate.

Never obstruct the flow of combustion and ventilation air. Keep the front of the heater clear of all obstacles and materials.

Leave at least 36" clearance from front of heater to combustibles.

CLEANING THE STANDING PILOT CONTROL SYSTEM

The burner and control system consists of:

- main burner
- pilot burner
- gas orifice
- thermopile
- combination millivolt gas valve

Most of these components may require only an occasional checkup and cleaning and some may require adjustment. If repair is necessary, it should be performed by a qualified technician.

In order to properly clean the burner and pilot assembly, turn off the gas to the unit, remove the logs exposing the burner and pilot assembly. Clean all foreign materials from the top of the burner. Check to make sure that burner parts are clean. Visually inspect pilot. Brush or blow away any dust or lint accumulation. If pilot orifice is plugged, disassembly may be required to remove any foreign material from the orifice or tubing.

To obtain proper operation, it is imperative that the pilot and burner's flame characteristics are steady, not lifting or floating.

Typically, the top 1/8" of the thermopile should be engulfed in the pilot flame. See Figure 12.

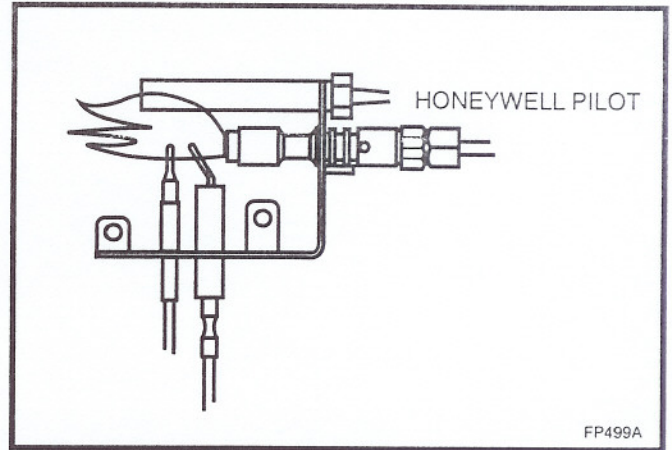


Fig. 12. Proper pilot flame height.

The air shutter is set at factory no adjustment should be necessary.

FLAME ADJUSTMENT

For units equipped with Hi/Lo valves, flame adjustment is accomplished by rotating the Hi/Lo adjustment knob located near the center of the gas control. See Figure 13.



It is important to periodically perform a visual check of the pilot and the burner flames. See Figures 12 and 14.

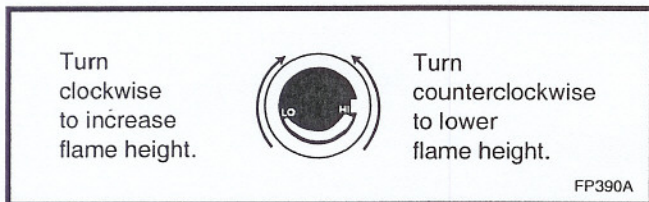


Fig. 13. Flame adjustment on gas valve (standing pilot only).

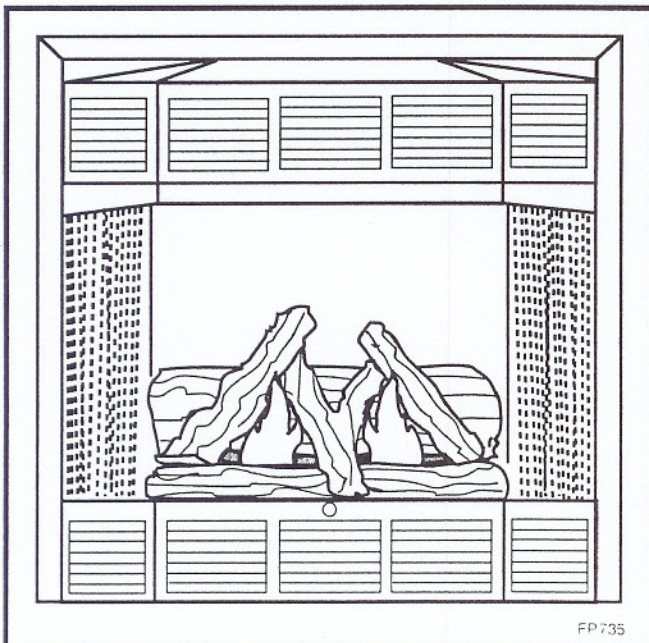
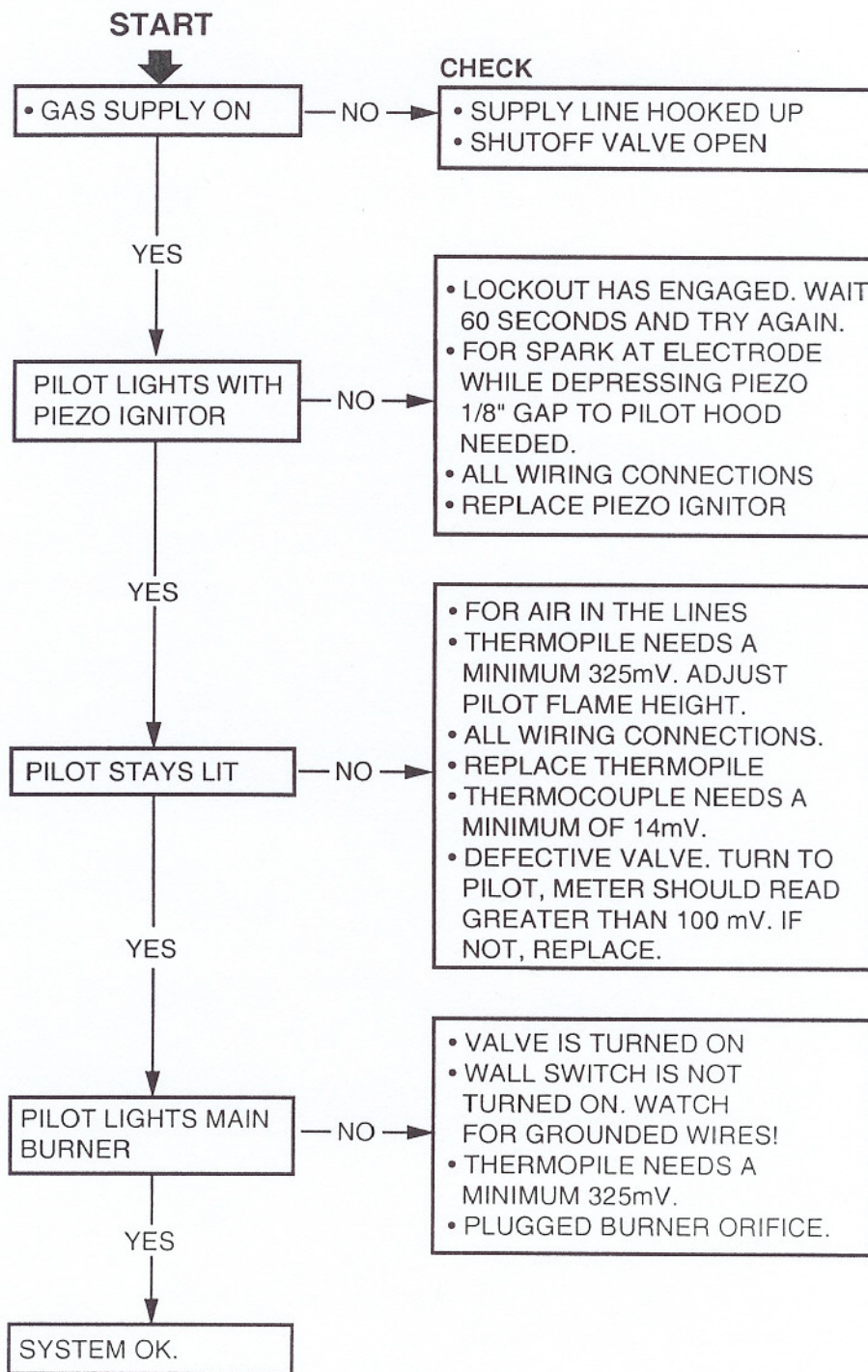


Fig. 14. Approximate flame heights for each model.

TROUBLESHOOTING - Honeywell VS8421



ACCESSORIES

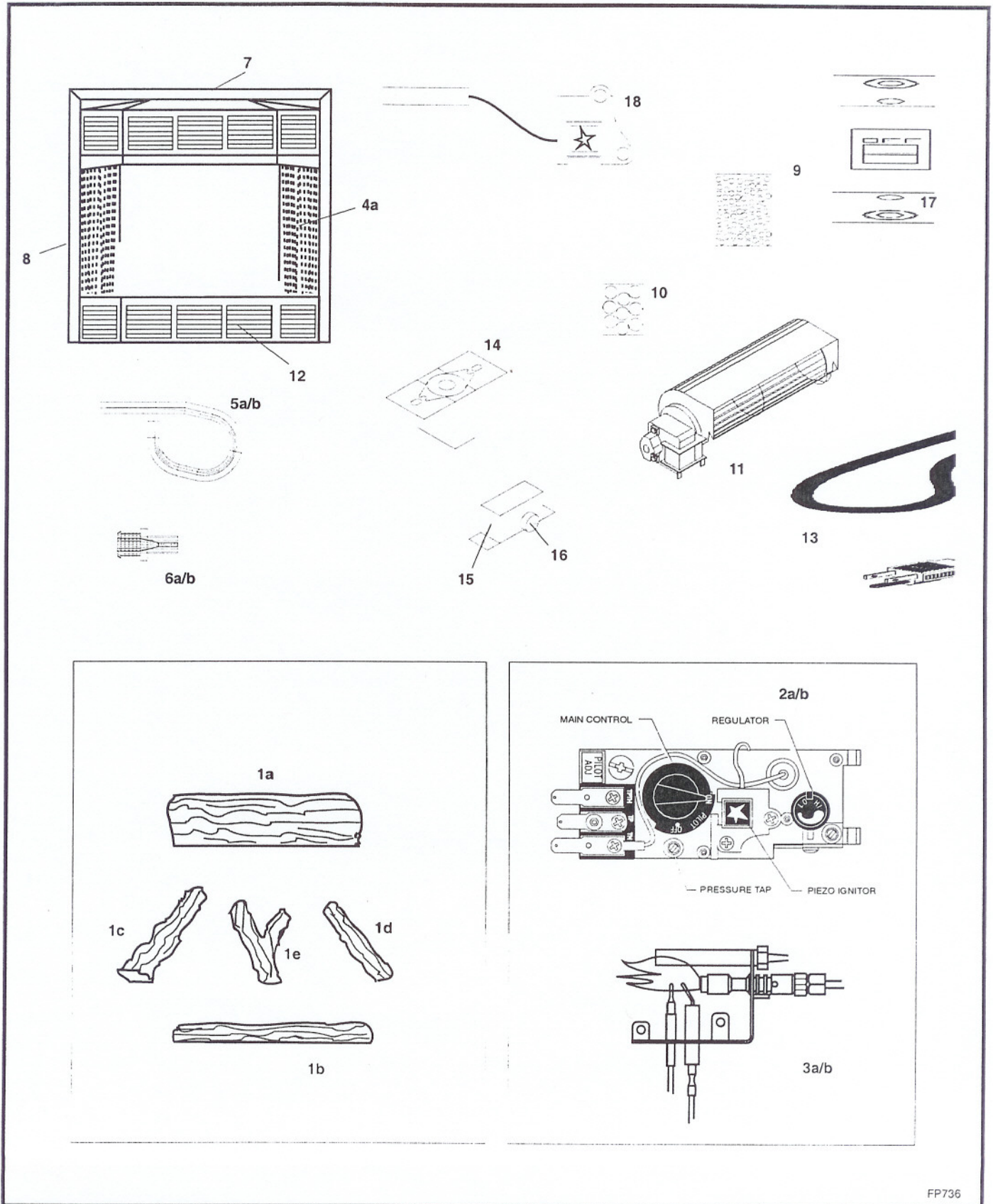
The following accessories for these heaters are available from your local Pyromaster distributor. **Each accessory comes with a separate installation instruction for mounting to the particular heater.** Be sure to read each instruction thoroughly before installing.

ACCESSORIES - UVHB26

Accessory	Description	Model Number
Fan	Variable speed, heat-activated, kit	FK24
Remote Control	Wireless remote, batteries included	RM4
Wall switch	Wall switch kit	GWSK

CAUTION: This heater is a highly engineered system, and, as such, must be operated only with PYROMASTER approved components. If you use an unapproved component to make any modifications, you may create a possible fire hazard and will void the PYROMASTER warranty. In addition, such action may void the coverage provided by the owner's insurance.

UVHB26 REPLACEMENT PARTS



FP736

REPLACEMENT PARTS - UVC SERIES

Description	PART NO.
1. Log - Assembly	3187169
1a. Log - Back	3187164
1b. Log - Front	3187165
1c. Log - Left	3187166
1d. Log - Right	3187167
1e. Log - "Y"	3187168
2a. Valve - NAT Honeywell	300000029
2b. Valve - LP Honeywell	300000030
3a. Pilot Assembly (NAT)	55464
3b. Pilot Assembly (LP)	55465
4a. Screen Assembly	3187170
5a. Burner Tube Assembly (NAT)	3187171
5b. Burner Tube Assembly (LP)	
6a. Orifice (NAT)	7535197
6b. Orifice (LP)	7535164
7. Top Trim	3187132
8. Side Trim	3187130
9. Volcanic Rock	7060151
10. Lava Rock	0055256
11. Fan	FK24
12. Louvre	3187146
13. Electrical cord (6 ft)	51865
14. Fan Temperature Sensor	51740
15. Speed Control	51738
16. Speed Control knob	51882
17. Remote Switch Kit	53875
18. Piezo Ignitor	20000063

Contact CFM Harris Systems, Inc. for questions concerning prices and policies covering replacement parts. Parts may be ordered through your CFM Harris distributor or dealer.

You will need the following information when ordering replacement parts:

1. The heater model number.
2. The serial number.
3. A description of the part.

Should you need additional information beyond what your dealer can furnish, contact:

CFM Corporation
2695 Meadowvale Boulevard
Mississauga, Ontario L5N 8A3 Canada
(800) 668-5323

www.cfmcorp.com

Model and serial numbers are listed on the rating plate (located on the instruction plate behind the removable grille).

Record your model and serial numbers here for future reference:

Model # _____

Serial # _____



PYROMASTER®

LIMITED 2/20 YEAR WARRANTY

For CFM Harris Systems Decorative Gas Appliances

The CFM Harris Systems extends the warranties specified in paragraphs A and B below with respect to its Decorative Gas Appliances (the "Gas Appliance"), including the CFM Harris Systems supplied accessories and components referred to in those paragraphs, subject to the following conditions and limitations:

(1) These warranties are extended only to the Gas Appliance installed in the continental United States, including Alaska, and Canada; only if and so long as the accordance with the installation and operating instructions furnished therewith; and only if and so long as Gas Appliance is not removed from its original installation.

(2). These warranties are limited to only the component parts manufactured and supplied by CFM Harris Systems. The use of components manufactured by others with the Gas Appliance (except for a listed Type B venting system as defined in the installation instructions) could create serious safety hazard, may result in the denial of certification by recognized national safety agencies, and could be in violation of local building codes.

(3). The Gas Appliance must be operated at all times in accordance with the operating instruction furnished therewith. The Gas Appliance is designed to burn either natural or propane gas only. Burning conventional fireplace fuels such as wood, coal, or any other solid fuel will cause damage to the Gas Appliance, will produce excessive temperatures and will result in a fire hazard.

(4). These warranties are limited to repair, replacement or furnishing a replacement for sale, as specified in Paragraphs A and B, for a part found to CFM Harris Systems' satisfaction, after examination, to be defective in materials or workmanship under normal conditions, use and service.

(5). All obligations with respect to these warranties may be fully discharged by CFM Harris Systems refunding the wholesale price of a defective part.

(6). Except as otherwise expressly specified in Paragraphs A and B. NONE OF THESE WARRANTIES COVER, AND CFM HARRIS SYSTEMS SHALL NOT BE RESPONSIBLE FOR, ANY CONSTRUCTION, INSTALLATION, LABOR, TRANSPORTATION OR OTHER COSTS OR EXPENSES ARISING FROM A DEFECTIVE PART, ITS REPAIR OR REPLACEMENT OR OTHERWISE, NOR SHALL CFM HARRIS SYSTEMS, INC. IN ANY EVENT BE RESPONSIBLE FOR ANY INDIRECT, INCIDENTAL OR CONSEQUENTIAL DAMAGES. EXCEPT TO THE EXTENT PROVIDED BY LAW, THERE ARE NO IMPLIED WARRANTIES WITH RESPECT TO THE GAS APPLIANCE, ITS COMPONENTS AND ACCESSORIES (IN-

CLUDING IMPLIED WARRANTIES OF MERCHANTABILITY OR FITNESS FOR A PARTICULAR PURPOSE), ALL OF WHICH ARE HEREBY EXPRESSLY INCLUDED. IN NO EVENT SHALL ANY IMPLIED WARRANTY PRESCRIBED BY LAW (NOTWITHSTANDING THE FOREGOING EXPRESS EXCLUSION) REMAIN IN EFFECT AFTER EXPIRATIONS OF THE WARRANTIES SET FORTH IN PARAGRAPHS A AND B.

A. Gas Appliances, electrical and manual components, glass panels, all sealants or adhesives and optional accessories (exclusive of CFM Harris Systems supplies decorative logs which are covered by a separate warranty under paragraph B below):

Within two years from the date of manufacture of the gas appliance, CFM Harris Systems will repair, or replace (at our option) a defective part without charge.

B. Cement or ceramic fiber log components:

Within two years from the date of manufacture of the gas appliance, CFM Harris Systems will replace a defective part without charge. Within years three through twenty from the date of manufacture of the gas appliance, CFM Harris Systems will provide a replacement for a defective part to the homeowner, but assumes no liability for incurred labor cost.

The foregoing warranties gives you specific legal rights and you may also have other rights which vary from state to state. Some states do not allow limitations on how long an implied warranty may last, so the limitation specified above on the duration of any implied warranty prescribed by law may not apply to you. Similarly, some states do not permit the exclusion or limitation of incidental or consequential damages, so the above exclusion of such damages may not apply to you.

Since local building requirements may vary greatly throughout the country, users of CFM Harris Systems products should determine in advance whether there are any building code restrictions on the use of a specified product. CFM HARRIS SYSTEMS MAKES NO REPRESENTATION OR WARRANTY REGARDING, AND SHALL NOT BE RESPONSIBLE FOR, ANY BUILDING CODE COMPLIANCE.

Free Manuals Download Website

<http://myh66.com>

<http://usermanuals.us>

<http://www.somanuals.com>

<http://www.4manuals.cc>

<http://www.manual-lib.com>

<http://www.404manual.com>

<http://www.luxmanual.com>

<http://aubethermostatmanual.com>

Golf course search by state

<http://golfingnear.com>

Email search by domain

<http://emailbydomain.com>

Auto manuals search

<http://auto.somanuals.com>

TV manuals search

<http://tv.somanuals.com>