



PANEL FANS

better AIRFLOW
by DESIGN™



WEB BELT DRIVE PANEL FANS

- Fans shipped fully assembled
- Heavy duty 16 Ga. steel venturi with tubular steel bracing
- Industrial grade gray enamel finish
- Steel blade impeller with sealed pillow block shaft bearings
- Permanently lubricated ball bearing motor
- Single or three phase continuous duty motor
- Sizes range from 24" to 60"
- Belt drive capacities to 39,000 cfm

WEB BELT DRIVE PANEL FANS

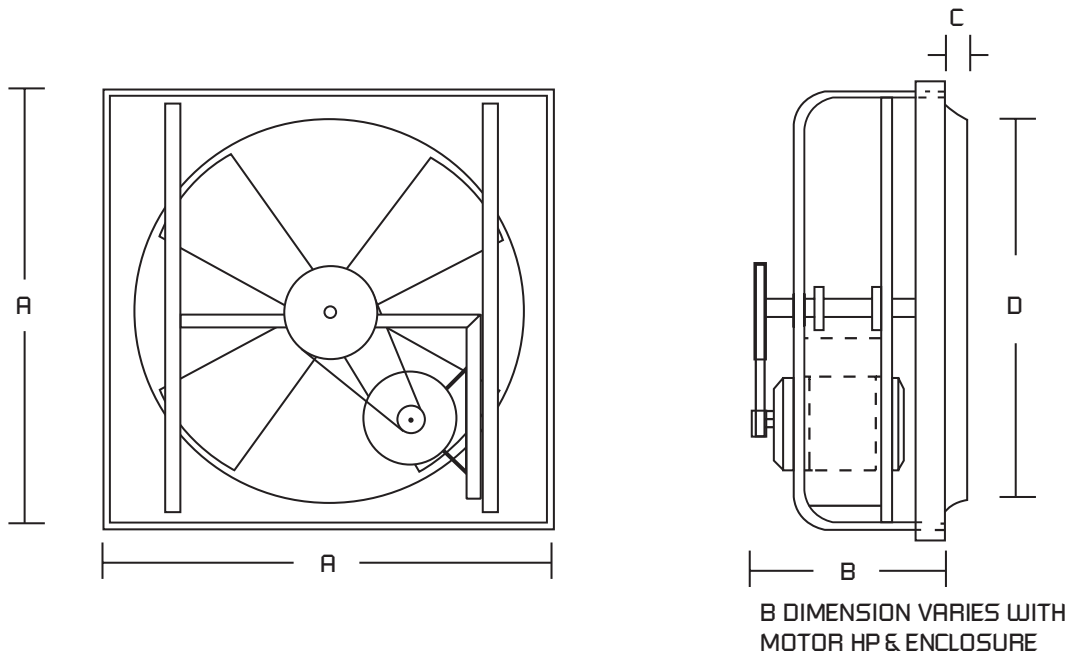
FEATURES & BENEFITS

- Shipped fully assembled, tested and ready to install
- Heavy duty 16 Ga. steel venturi with tubular steel bracing
- Industrial grade gray enamel finish
- Steel blade impeller
- Permanently lubricated drive shaft bearings
- Permanently lubricated ball bearing motor
- Single or three phase continuous duty motor
- Sizes range from 24" to 60"
- Belt drive capacities to 39,000 cfm
- Available in the following voltages:
 - o 115/230V 1 phase
 - o 230/460V 3 phase
 - o 575V 3 phase



ACCESSORIES / OPTIONS

- MSRG option includes:
 - o Mounting box
 - o Discharge shutter
 - o Rear box guard kit



MODEL	DIMENSIONS IN INCHES*				WT (LBS) LESS MTR	WT (LBS) WITH MTR
	A	B	C	D		
WEB-24	30	18	3.5	25	60	90
WEB-30	36	18	3.5	31	70	115
WEB-36	42	20	4.0	37	115	165
WEB-42	48	20	4.3	43	160	225
WEB-48	54	22	4.3	49	200	280
WEB-60	66	28	5.0	61	260	350

*DO NOT USE FOR CONSTRUCTION

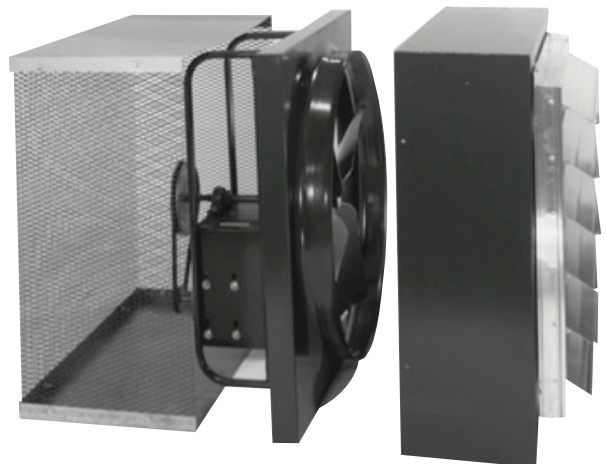
CONSULT FACTORY FOR CERTIFIED PRINTS

WEB BELT DRIVE PANEL FANS

MODEL	RPM	MTR HP	PERFORMANCE				
			0" S.P. CFM	0.125" S.P. CFM	0.25" S.P. CFM	0.50" S.P. CFM	0.75" S.P. CFM
WEB-24-13	825	0.33	5300	4700	3800	2200	1400
WEB-24-12	925	0.50	6200	5700	5000	4000	2600
WEB-24-34	1050	0.75	7000	6600	6000	4400	3000
WEB-24-01	1175	1	7800	7400	6900	5700	3500
WEB-30-13	570	0.33	7500	6000	3400	700	-
WEB-30-12	625	0.50	8500	7100	4400	2700	1300
WEB-30-34	725	0.75	10000	9100	7600	5100	1800
WEB-30-01	825	1	11000	10400	9300	5500	2800
WEB-36-13	425	0.33	9000	6800	3500	500	-
WEB-36-12	500	0.50	10500	8800	5900	3600	2000
WEB-36-34	575	0.75	11900	10500	8500	5500	4000
WEB-36-01	650	1	13100	11800	10200	6900	5000
WEB-36-32	750	1.50	15000	13500	12500	8500	5500
WEB-36-02	830	2	16500	15500	14500	11000	7000
WEB-42-34	430	0.75	14000	11500	7600	4800	3300
WEB-42-01	490	1	15400	13100	10400	6400	4600
WEB-42-32	550	1.50	17200	15300	12400	7900	5300
WEB-42-02	620	2	19400	17500	15600	9700	6000
WEB-42-03	700	3	22000	20500	19000	15000	8000
WEB-48-34	350	0.75	17000	12000	7000	2000	-
WEB-48-01	400	1	19100	16000	10900	6400	4000
WEB-48-32	460	1.50	22000	19000	14000	10000	6000
WEB-48-02	520	2	24000	22000	18000	12000	7500
WEB-48-03	590	3	27500	25000	22500	16000	9000
WEB-48-05	660	5	30500	28500	26000	21000	13000
WEB-60-02	320	2	31000	26000	16000	7000	-
WEB-60-03	370	3	35000	31000	23000	11000	-
WEB-60-05	420	5	39000	35000	29000	18000	-

MSRG – MOUNTING BOX, SHUTTER & REAR GUARD BOX KIT

- Available in 24"-60" sizes
- Heavy gauge fan & shutter mounting box
- Fully mounted discharge shutter
- Full rear box guard kit (assembly required)



Industrial Fan Division

The Industrial Fan Division offers superbly crafted industrial fans and ventilators, expertly supported by a network of independent manufacturers' representatives.



Panel Fans

Centrifugal Fans

Flange Fans

In-line Fans

Roof Ventilators

Iris Dampers

OEM Fan Division

The OEM Fan Division works closely with original equipment manufacturers to meet their design requirements, offering in-stock fan components, 3D models and custom fan solutions.



Cabinet Cooling Fans

Motorized Axials

Motorized Impellers

Centrifugal Fans

Axial Impellers

Centrifugal Impellers

Wholesale Products Division

The Wholesale Products Division offers a superior line of in-stock commercial and residential ventilation products, available from wholesalers and distributors across North America.



Bathroom Fans

Air Purification Systems

In-Line Duct Fans

External Mount Fans

Radial Blade Blowers

Exhaust Fans

USA

www.continentalfan.com

Continental Fan Manufacturing Inc.
203 Eggert Road, Buffalo, NY 14215
Tel: (716) 842 0670 Fax: (716) 842 0611

Canada

www.aeroflo.com

Aeroflo Inc.
12-205 Matheson Blvd. E., Mississauga, ON L4Z 3E3
Tel: (905) 890 6192 Fax: (905) 890 6193

WEB BELT DRIVE PANEL FANS



WEB-0807

Free Manuals Download Website

<http://myh66.com>

<http://usermanuals.us>

<http://www.somanuals.com>

<http://www.4manuals.cc>

<http://www.manual-lib.com>

<http://www.404manual.com>

<http://www.luxmanual.com>

<http://aubethermostatmanual.com>

Golf course search by state

<http://golfingnear.com>

Email search by domain

<http://emailbydomain.com>

Auto manuals search

<http://auto.somanuals.com>

TV manuals search

<http://tv.somanuals.com>