



CAT EYE VELO 5 CAT EYE VELO 8

CYCLOCOMPUTER

Model CC-VL500/CC-VL800
English



U.S. Pat. Nos. 4642606, 5236759 and Pat. Pending
Copyright© 2003 CAT EYE Co., Ltd.
CCVL5/8-031030 [066600280]

⚠ Caution

- Do not concentrate on the computer operations while riding. Always be sure to ride safely.
- Be sure to securely mount the magnet, sensor and bracket on your bicycle, and periodically check to see if any parts have loosened.
- Used batteries are harmful if swallowed by mistake. They must be disposed in accordance with local regulations.
- Do not leave the main unit exposed to direct sunlight. Never disassemble the main unit.
- For cleaning of the main unit or accessories, use diluted neutral detergent on a soft cloth, and then wipe it off with a dry cloth. Do not use paint thinner, benzene or alcohol since such chemicals may damage the surface.

Package Contents

- 1 Bracket
- 2 Wire
- 3 Sensor
- 4 Magnet
- 5 Nylon Ties 7

⚠ IMPORTANT!

Correct positions of the sensor and the magnet:

- A) When rotating the front wheel, the magnet's ④ center must be aligned with the sensor's ③ marking line.
- B) The distance between the sensor ③ and the magnet ④ must be less than 5mm.

Name of Parts

- ① Speed 0.0 (4.0) to 299.9 km/h [0.0 (3.0) to 185.0 mph]
- ② Mode Symbol Indicates the mode currently selected.
(The corresponding value is indicated on the lower line.)
- ③ Pace Arrow* Indicates if the current speed is faster or slower than the average speed.
(▲ Faster ▼ Slower)

- ④ Speed Scale
- ⑤ Sub Display (selected function)
- ⑥ Battery Case Cover
- ⑦ Contact

Display function

- Tm* [Elapsed Time] 0:00'00" to 9:59'59"
- Dst [Trip Distance] 0.00 to 999.99 km [mile]
- Av* [Average Speed] 0.0 to 299.9 km/h [0.0 to 185.0 mph]
(Measurable up to 27 hrs or 999.99 km/h)
- Mx [Maximum Speed] 0.0 (4.0) to 299.9 km/h [0.0(3.0) to 185.0 mph]
- Cal* [Calorie Consumption] 0.0 to 9999.9 kcal (estimated from speed data)
- Odo [Total Distance] 0.0 to 9999.9 km [mile]
- ⌚ [Clock] 0:00 to 23:59 [1:00 to 12:59]

* This feature is only available on the VELO8. No measurement is done on the VELO5.

Start/Stop of Measuring

The unit starts measuring automatically when you start pedaling, and stops measuring when you come to a stop. The upper display always shows the Current Speed.

Shift of Lower Display

Each time you press the MODE button, a different data value appears on the lower line.

Power Saving Function

If the main unit does not receive a signal after about 10 minutes, the main unit enters Power Saving Mode and displays the clock count only. To return to normal display, press the MODE button or start your bicycle again to cancel the Power Saving function.

Data Reset

When a screen with the mark in the OPERATION FLOW is displayed, continue pressing the MODE button and the measured data will return to zero. However, the Odometer (total distance) and Clock do not return to zero.

How to Set Clock

In the clock mode, press SET button on the back, and the display enters clock setting mode.

* If Km/h has been selected for speed scale, it becomes 24-hour clock.

If mph has been selected, it becomes 12-hour clock.

How to Change Tire Size

Display the Total Distance (Odo) and press the SET button to change the tire size. You can select a tire size in two ways: Either select from among preset sizes or enter the tire's circumference directly in increments of 1 cm.

Maintenance

- If the contact of the unit or the bracket gets wet, dry it off with a cloth. If they become rusty, it will cause speed detection error.
- If the gaps between the buttons and the unit get clogged with mud or sand, wash them away with water.

Troubleshooting

No display.

Has the battery in the main unit run down?
Replace it with a new one.

Incorrect data appears.

Do all clear operation.

Current speed does not appear. (First, short-circuit the contact of the main unit a few times with a piece of metal. If current speed appears, the main unit is working fine and the cause should be attributed to the bracket or the sensor.)

Is the clearance between the sensor and the magnet too large?

Are the magnet's center and the sensor's marking line aligned?

Re-adjust the positions of the magnet and the sensor. (The clearance should be less than 5mm.)

Is the cord broken?

Even if the outside of the cord looks normal, there could be damage.
Replace the bracket and sensor set with a new one.

Is there anything sticking on the contact of the main unit or the bracket?

Clean the contact with a cloth.

Current speed disappears when using in the rain.

Wipe any water or dirt from the contacts and apply a water repellent silicon grease. Do not apply standard grease, as it may cause damage to the bracket.

Replacing Battery

If the screen becomes dim, it is the time to replace the battery

* Insert a new lithium battery (CR2032) with the (+) mark facing up.

1 After replacing the battery, perform the all-clear operation. Follow SETTING to select the measurement unit & tire size and set the clock display to the current time.

Specification

Battery	Lithium Battery CR2032 x 1 (battery life: approx. 3 years)
		(* The life of the factory-loaded battery might be shorter than this.)
Microcomputer	4-bit 1-chip (Crystal controlled oscillator)
Display	Liquid crystal display
Sensor	No-contact magnetic sensor
Tire Sizes	Tire sizes of 16, 18, 20, 22, 24, 26, 700C, and 27 inches, or tire peripheral lengths from 100 to 299 cm (Initial value: 26 in.)
Working Temperature	0°C - 40°C
Length of Wire	70cm
Dimension/Weight	1-7/8" x 1-25/32" x 23/32" (48 x 45 x 18 mm) / 1.06 oz (30 g)

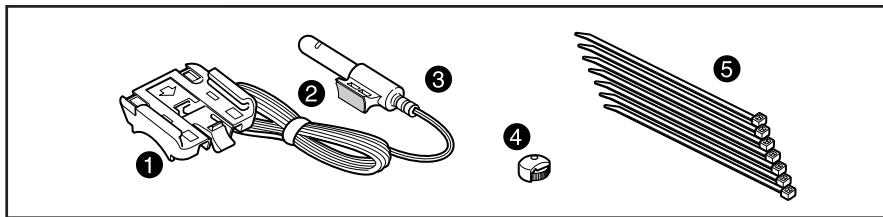
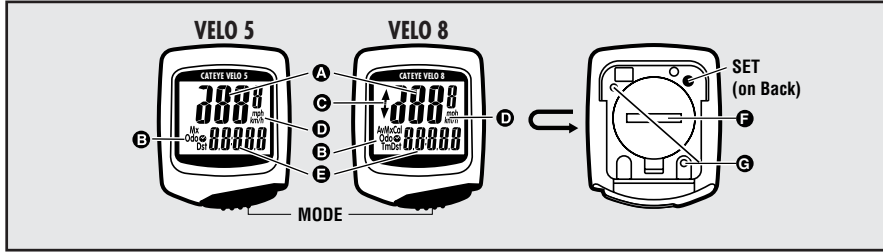
*The specifications and design are subject to change without notice.

●Calorie Consumption*1 (VELO8)

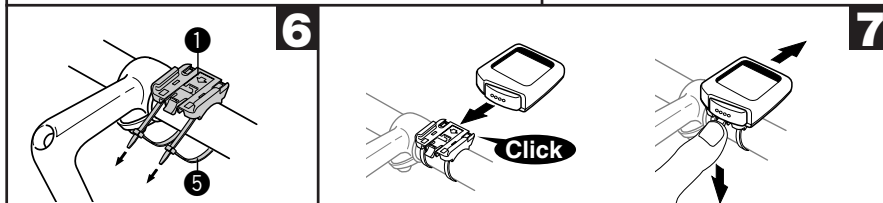
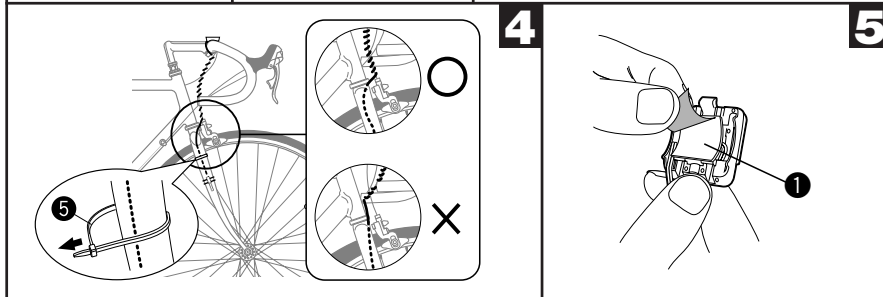
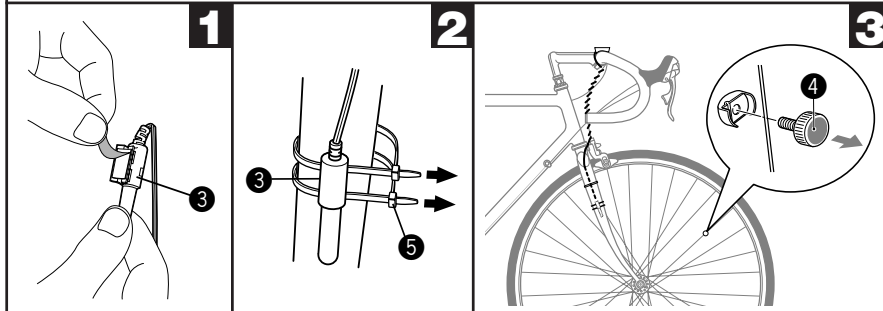
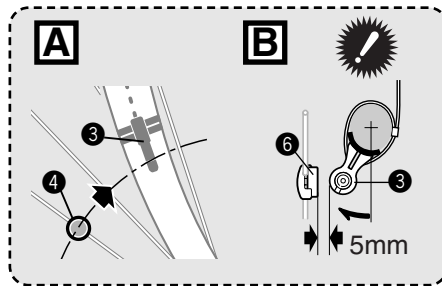
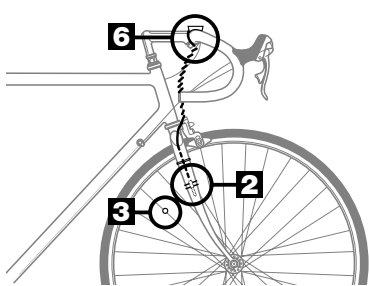
The calorie consumption data is only the accumulated value that is calculated from the speed data of every second. It differs from the actual consumed calorie.

km/h	10 km/h	20 km/h	30 km/h
Speed	10 km/h	20 km/h	30 km/h
Kcal per hour	67.3 kcal	244.5 kcal	641.6 kcal

mph	10 mph	20 mph	30 mph
Speed	10 mph	20 mph	30 mph
Kcal per hour	155.2 kcal	768.2 kcal	2297.2 kcal



INSTALLING THE UNIT

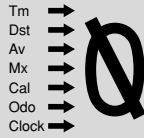
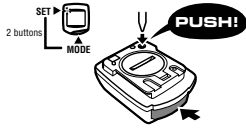


↓ SETTING

SETTING

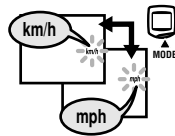
All Clear

SET + MODE



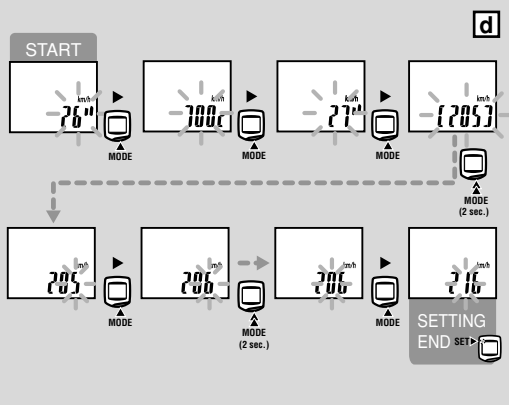
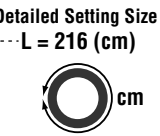
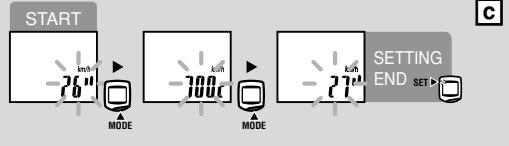
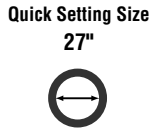
a Select km/h or mph

Select km/h

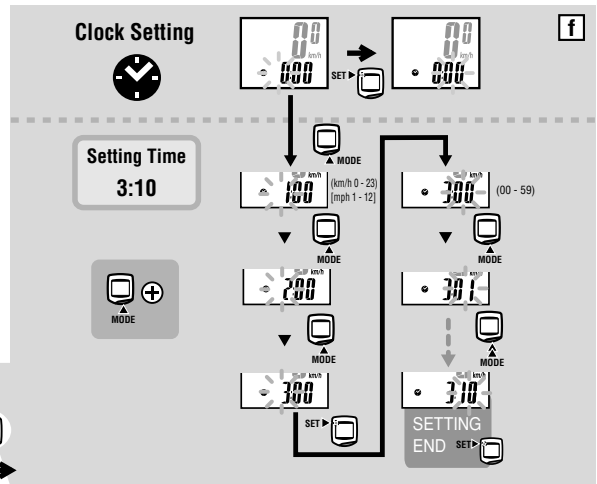
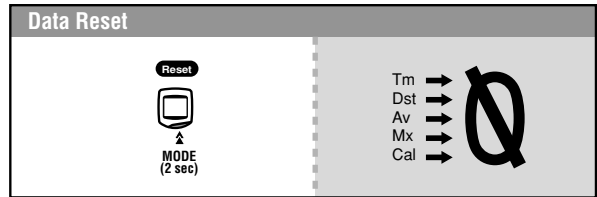
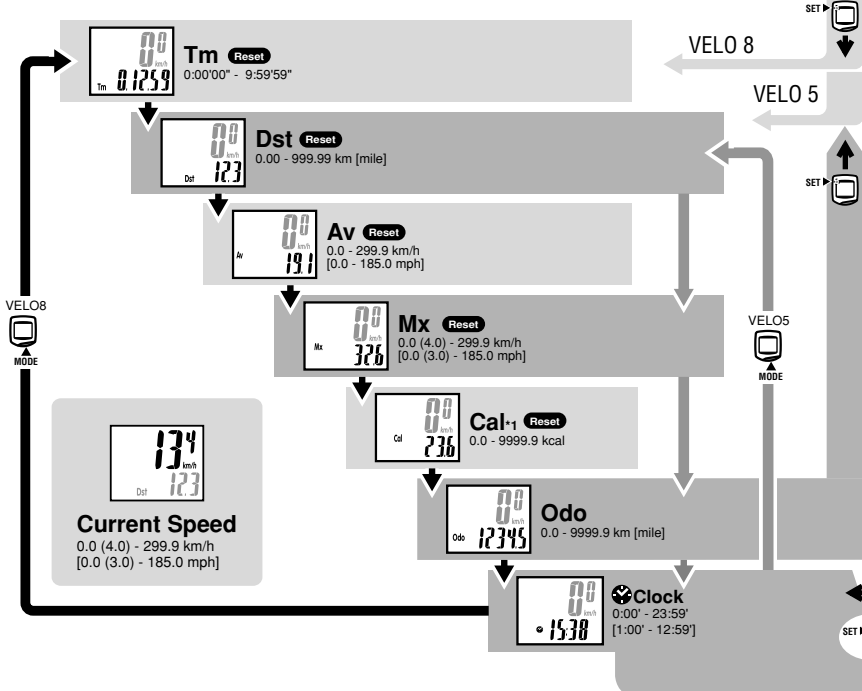


Wheel Size

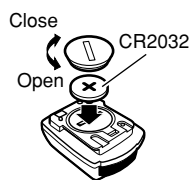
Tire size	L (cm)	Tire size	L (cm)
ETRTO		57-559	26 x 3.00
14 x 1.50	102	27 x 1	217
14 x 1.75	106	27 x 1-1/8	216
16 x 1.50	119	27 x 1-1/4	216
47-305		27 x 1-3/8	217
16 x 1.75	120	650 x 35A	209
18 x 1.50	134	650 x 38A	212
18 x 1.75	135	650 x 38B	211
47-406		18-622	700 x 18C
20 x 1.75	152	700 x 19C	207
20 x 1-3/8	162	700 x 19C	208
22 x 1-3/8	177	20-622	700 x 20C
22 x 1-1/2	179	23-622	700 x 23C
24 x 1	175	23-622	700 x 23C
24 x 3/4 Tubular	178	25-622	700 x 25C
24 x 1-1/8	179	28-622	700 x 28C
24 x 1-1/4	191	700 x 28C	214
47-507		700 x 30C	217
24 x 1.75	189	32-622	700 x 32C
24 x 2.00	192	700C Tubular	213
24 x 2.125	196	37-622	700 x 35C
26 x 7/8	192	700 x 35C	217
26 x 1(65)	191	700 x 38C	218
26 x 1.25	195	40-522	700 x 40C
26 x 1-1/8	190	700 x 40C	220
37-590			
26 x 1-3/8	207		
26 x 1-1/2	210		
26 x 1.40	200		
40-559			
26 x 1.50	201		
47-559			
26 x 1.75	202		
50-559			
26 x 1.95	205		
54-559			
26 x 2.00	206		
26 x 2.10	207		
57-559			
26 x 2.125	207		
26 x 2.35	208		



OPERATION FLOW



BATTERY



a All Clear

LIMITED WARRANTY

2-Year Warranty for Main Unit Only
 (Accessories/Attachments and Battery Consumption excluded)
 If trouble occurs during normal use, the part of the Main Unit will be repaired or replaced free of charge. The service must be performed by Cat Eye Co., Ltd. To return the product, pack it carefully and remember to enclose the warranty certificate with instruction for repair. Please write or type your name and address clearly on the warranty certificate. Insurance, handling and transportation charges to our service shall be borne by person desiring service.

(Address for service)
 2-8-25, Kuwazu, Higashi Sumiyoshi-ku, Osaka 546-0041 Japan
 Attn.: CAT EYE Customer Service Section
Service & Research Address for United States Consumers:
CAT EYE Service & Research Center
 1705 14th St. 115 Boulder, CO 80302
 Phone : 303-443-4595
 Toll Free : 800-5CATEYE
 Fax : 303-473-0006
 URL: <http://www.cateye.com>

Free Manuals Download Website

<http://myh66.com>

<http://usermanuals.us>

<http://www.somanuals.com>

<http://www.4manuals.cc>

<http://www.manual-lib.com>

<http://www.404manual.com>

<http://www.luxmanual.com>

<http://aubethermostatmanual.com>

Golf course search by state

<http://golfingnear.com>

Email search by domain

<http://emailbydomain.com>

Auto manuals search

<http://auto.somanuals.com>

TV manuals search

<http://tv.somanuals.com>