



GAMEBIKE FITNESS PRO™ RECUMBENT BIKE Operation Manual Model GB-300R



Thank you for purchasing the CATEYE GAMEBIKE FITNESS PRO RECUMBENT BIKE.
Please read the manual carefully before using this product. Safeguard the manual along with the warranty card.

Symbols Legend

Symbol marks used for safety precautions in this manual

The descriptions accompanying the following symbol marks in this manual refer to very important issues in terms of your safety and handling of the unit. You are strongly urged to observe these precautions carefully.

- Warning** Failure to observe this warning could result in serious injury or death.
- Caution** Failure to observe this warning could result in physical injury or damage to the GBF PRO RECUMBENT BIKE.
- Important** Operations which require caution, items which should be observed in particular as well as certain additional information are presented in this manual.
- Reference** This symbol mark denotes helpful information ensuring proper usage.

ENG

Fitness Safeguards

Before starting any exercise program, consult with your physician or health professional. He or she can help establish the exercise frequency, intensity (target heart rate zone) and time appropriate for your particular age and condition.

IMPORTANT PRECAUTIONS

- Warning**
- It is the responsibility of the owner to ensure that all users of the GBF PRO RECUMBENT BIKE are adequately informed of all precautions.
- If you have a heart disease (e.g. angina pectoris and myocardial infarction), high blood pressure, diabetes, respiratory disease (e.g. asthma, chronic bronchitis and pulmonary emphysema), degenerative arthritis, rheumatism or gout, or if you are pregnant, or if you have any other medical conditions or disabilities, be sure to consult your physician before starting any exercise program.
- If you experience any pain or tightness in the chest, irregular heartbeats, shortness of breath, dizziness or any discomfort during exercise, stop immediately. Consult your physician before continuing further exercise.
- If you do not feel well (e.g. exhaustion, hangover, diarrhea and headache), do not exercise. Your physical condition may change from day to day. Exercise under self-care.
- It is recommended that you receive a medical examination before starting an exercise.
- Keep small children and pets away from the GBF PRO RECUMBENT BIKE at all times. Do not use this device when small children are close-by. Sudden and unpredictable behavior of small children may result in an accident.
- Always keep your back straight when using the exercise cycle. Do not arch your back.
- Those persons who are not accustomed to normal exercise should not suddenly engage in heavy physical exercise. Such persons should firstly engage in light training schedules and should increase the demands of their training schedules over time.
- Children or those with physical handicaps should use this device only under supervision.
- Never use this device after drinking alcohol; doing so is dangerous and could result in serious injury or accident.

To supervisors

- Be careful that children do not play with the cord. The cord is a choking hazard. Furthermore, pulling on the cord may result in the device or machine falling and may cause injuries or breakage/failure of the device.
- Children should be instructed on how to use the device before trying it out for themselves. They should also be supervised while playing the game.
- The device should be kept out of the reach of smaller children.

Cautions

- Use the GBF PRO RECUMBENT BIKE indoors on a level surface. Keep the GBF PRO RECUMBENT BIKE away from moisture and dust. Place a mat under the GBF PRO RECUMBENT BIKE to protect the floor or carpet. Otherwise, those may cause injury due to fall down, damage of the main unit or breakage.
- Inspect and properly tighten all parts regularly. Replace any worn parts immediately. Perform a daily inspection of the product before using it. (See "Daily inspection" on page 10.)
- The GBF PRO RECUMBENT BIKE should not be used by persons weighing more than 264 pounds (120 kg).
- Wear suitable clothing when using the GBF PRO RECUMBENT BIKE; do not wear loose clothing that could become caught on the GBF PRO RECUMBENT BIKE. Always wear athletic shoes.
- Do not turn the steering while holding the controller. This may damage the controller or bracket.
- The turning range for the GBF PRO RECUMBENT BIKE steering is 50 degrees to the right and left. Do not force the steering past the stoppers. Doing so will damage the main unit.
- This device is a precision instrument. Do not subject the device to heavy shock or treat it excessively. Also, do not allow water to come into contact with the device, disassemble or modify it. Doing so will void any warranty covering repair and after-sales service.
- Do not place the device in a location where it will be in contact with direct sunlight or where it will be exposed to high temperatures or excessive humidity.
- Do not plug the connection cord of the device into devices other than those specified. This may cause a malfunction of the device and any peripherals.

⚠ Cautions

- While not in use, please to unplug the connection cord from connection terminal.
- If any abnormal operating conditions of either the device itself or manifest themselves, stop using the equipment immediately and contact the shop where you purchased the equipment for repair.
- This device is heavy, be careful when lifting and carrying it and avoid dropping it.
- To plug/unplug the connection cord, be sure to hold the connector itself rather than the cord; do not pull the connector excessively.
- Do not step on, bend or pull the cord excessively.
- Do not insert or remove the controller connection plugs while any connected hardware is turned on. Doing so may damage the hardware.
- If the main hardware unit is subjected to vibration while in use, graphic imagery and sound may not be synchronized correctly. To make sure vibrations from the device are not conveyed to the main hardware unit, keep them at a distance from each other.
- Before using the device, be sure to position it in front of the monitor and check that the display can be seen easily.
- Do not use the device if anything has been placed upon the cords or if they are tangled.
- To clean the device, use a dry cloth, etc. Never use volatile solvents such as paint thinner, benzine, etc. If these come into contact with the device, it may become distorted or display quality may be compromised.
- Elderly persons should only use the device under supervision.
- It has been reported that, in rare cases, some people have experienced certain physical symptoms, for example muscle spasms or temporary loss of consciousness as a result of stimulation from strong light rapidly changing on-screen images. Persons who have experienced such symptoms should consult a doctor before using this device. Moreover, if such symptoms should occur while watching the gaming screen, please consult a doctor immediately.
- Make sure to take at least 15 minutes break for each hour of playing the game to avoid eye fatigue.
- Avoid using the device if you are tired or have not had enough sleep.
- Use the device in a well-lit room and as far away from a T.V. screen as possible.
- While using the game. Please use the controller cover to prevent sweat or moisture from entering the controller.

Important

- This device can be used for racing games. Operation may vary depending on the software used.
- Try to be considerate when using this device. Use it at a time when vibrations, etc., from the machine are unlikely to cause a disturbance for neighbours.
- Be sure to check the contents of the package, as well as the “Date of purchase” and “Dealer name” on the warranty card before using the device for the first time.
- Check that cords, and other parts have not been damaged, before using this device.
- Keep the operation manual handy as an important reference.
- If the unit gets an electrostatic shock, it can be reset by pressing the reset key or remove the batteries and put them back in.

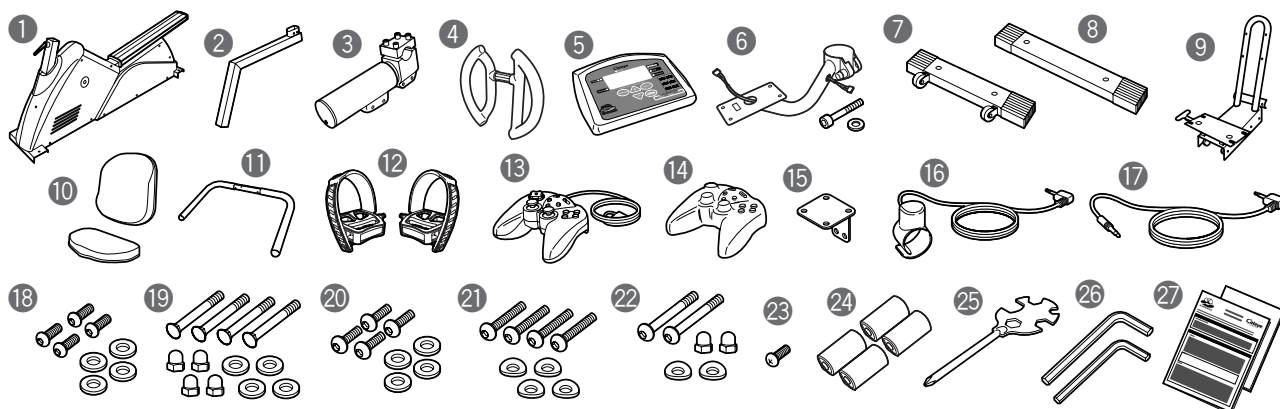
Before beginning this or any exercise program, consult your physician. This is especially important for persons over the age of 35 or persons with pre-existing health problems.

Read all instructions before using. Gateye Co., LTD. assumes no responsibility for personal injury or property damage sustained by or through the use of this product.

Package Contents

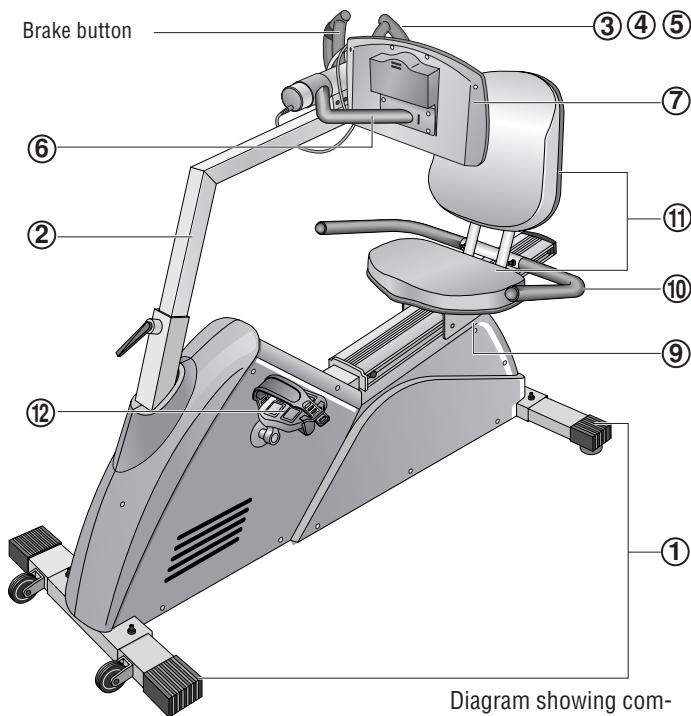
Check that the following items are included in the package. If any item is missing, contact the shop where you purchased the product.

- | | | |
|------------------------|--|---|
| ① Main unit frame | ⑬ Controller | ②② Seat handle installation screw set |
| ② Steering post | ⑭ Controller cover | • M8 x 50 hexagon socket-head truss screw x 2 |
| ③ Steering unit | ⑮ Controller bracket | • M8 domed cap nut x 2 |
| ④ Steering | | • M8 R washer x 2 |
| ⑤ Console | | ②③ Stopper screw |
| ⑥ Bracket | | ②④ LR-20 (D) battery x 4 |
| ⑦ Front legs | | ②⑤ Special tool |
| ⑧ Rear legs | | ②⑥ Allen wrench x 2 |
| ⑨ Seat base | | ②⑦ Operation manual and warranty card |
| ⑩ Seat cushion (A) (B) | | |
| ⑪ Seat handle | ⑰ Brake cable | |
| ⑫ Pedals (L/R) | ⑱ Connection cable (for steering) | |
| ⑬ Controller | ⑲ Steering unit installation screw set | |
| ⑭ Controller cover | • M8 x 15 hexagon socket-head truss screw x 4 | |
| ⑮ Controller bracket | • M8 flat washer x 4 | |
| | ⑲ Front and rear leg installation screw set | |
| | • M8 x 50 hexagon cup square neck bolt x 4 | |
| | • M8 domed cap nut x 4 | |
| | • M8 flat washer x 4 | |
| | ⑲ Seat cushion A (seat) installation screw set | |
| | • M8 x 20 hexagon socket-head truss screw x 4 | |
| | • M8 flat washer x 4 | |
| | ⑲ Seat cushion B (backrest) installation screw set | |
| | • M8 x 40 hexagon socket-head truss screw x 4 | |
| | • M8 R washer x 4 | |



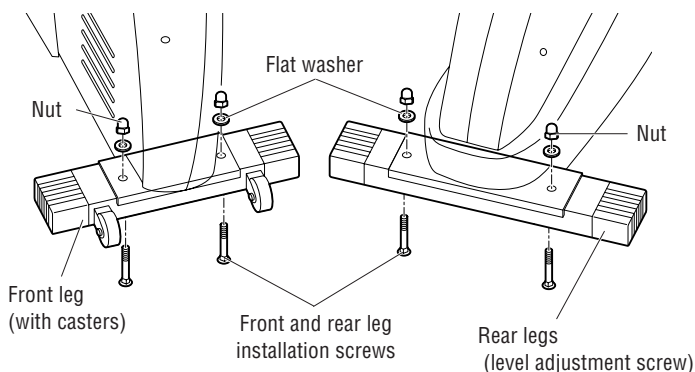
How to assemble GBF PRO RECUMBENT BIKE (1)

Follow the procedure below to assemble the product.



① Installing the front and rear legs

- Use the "front and rear leg installation screw set" (4 each of screws and washers) to securely install the front legs (with casters) to the front of the main unit (steering post side).
- In the same way, install the rear legs onto the rear of the main unit.

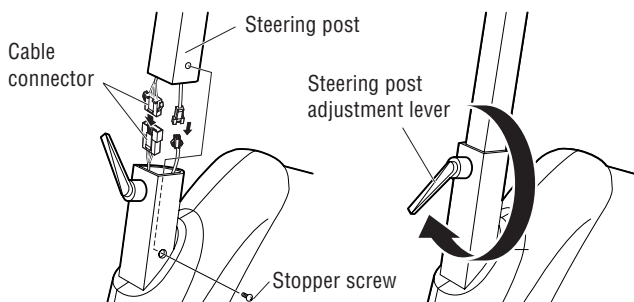


② Installing the steering post

- Attach the two connectors on the steering post to the two connectors on the main unit.
- Turn the steering post adjustment lever counterclockwise to loosen it and then insert the steering post into the frame of the main unit.

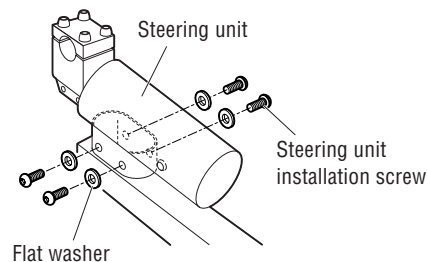
⚠ Caution When inserting the steering post into the frame of the main unit, be careful not to pinch the cable inside the pipe against the post.

- Raise the steering post to the mark and then secure the post using the steering post adjustment lever.
- Align the hole of the steering post with that on the side of the frame pipe, install and tighten the stopper screw.



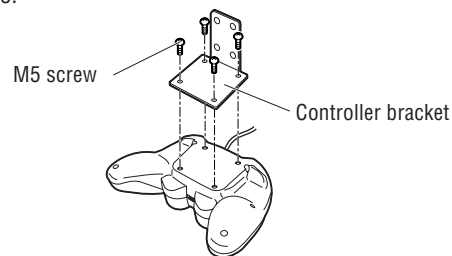
③ Installing the steering unit

- Insert the steering unit in the steering post and securely tighten the "steering unit installation screw set" (4 screws).



④ Installing the controller bracket

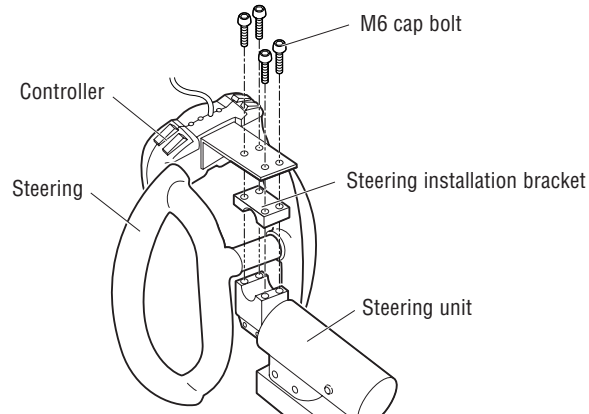
- Remove the M5 screws (X4) from the back of the controller unit.
- Secure the controller bracket to the controller with the removed M5 screws.



⑤ Installing the steering assembly and controller

- Remove the M6 cap bolts which fasten the steering installation bracket to the steering unit.
- Install the steering, and securely fasten the steering installation bracket and controller using the bolts which were previously removed.

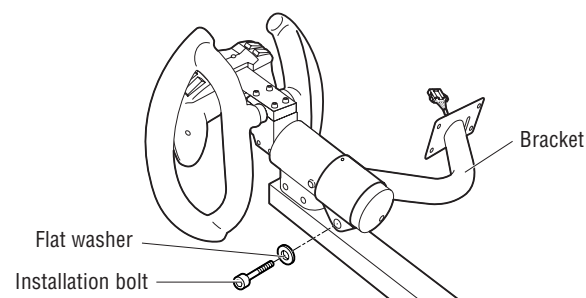
Important Install the steering so that the steering assembly is perpendicular to the steering unit.



⑥ Installing the bracket

- Install the bracket on the steering unit. Insert the bracket from underneath the steering unit and securely fasten the bracket using the supplied bolt.

Important Install the bracket so that the bracket is perpendicular to the steering unit.



How to assemble GBF PRO RECUMBENT BIKE (2)

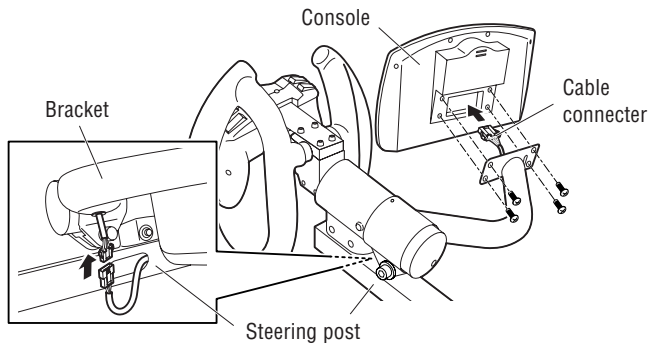
7 Installing the console

- Remove the 4 screws on the back of the console.
- Insert the cable connector which extends from the bracket into the cable inlet on the back of the console.

⚠ Caution Insert the cable connector firmly as far as it will go. If it is not inserted properly and the contact is poor, the console will not function.

- Secure the console to the bracket with the removed screws.
- Attach the connector on the steering post to that on the bracket.

Important Conceal the excess cord inside the steering post.

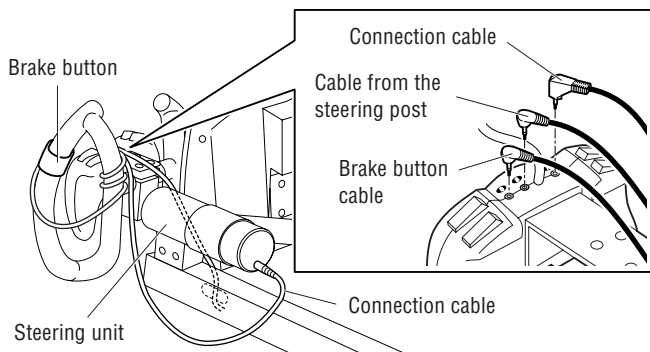


8 Connecting the controller

- Insert the speed sensor cable plug (light blue) which extends from the steering post into the "S" jack on the controller.
- Install the brake button onto the steering assembly. Insert the cable plug (yellow) into the "B" jack on the controller.

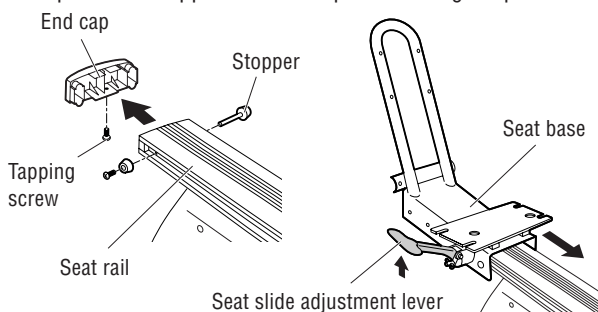
Important Wind excess brake button cord around the steering assembly.

- Insert the connection cable plug into the "H" jack on the controller. Insert the straight plug on the other end of the cable into the jack on the bottom of the steering unit.



9 Installing the seat base

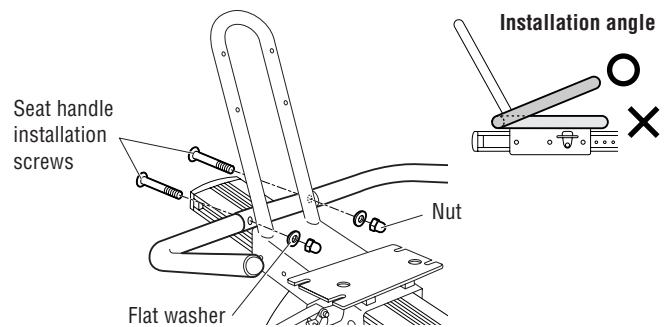
- Remove the tapping screw from the end cap and then remove the end cap from the back end of the seat rail.
- Remove the stopper from the side of the rail.
- Insert the main unit rail while raising the seat slide adjustment lever.
- Replace the stopper and end cap in their original positions.



10 Installing the seat handle

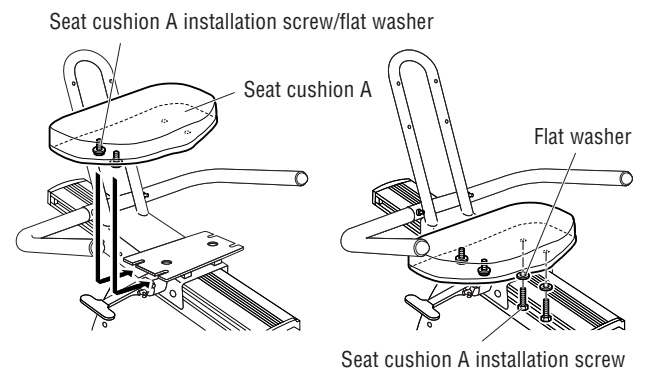
- Place the seat handle in position on the rear of the seat base and securely tighten the "seat handle installation screw set" (2 screws).

⚠ Caution Make sure to install the seat handle with the ends of the handle pointing upward.

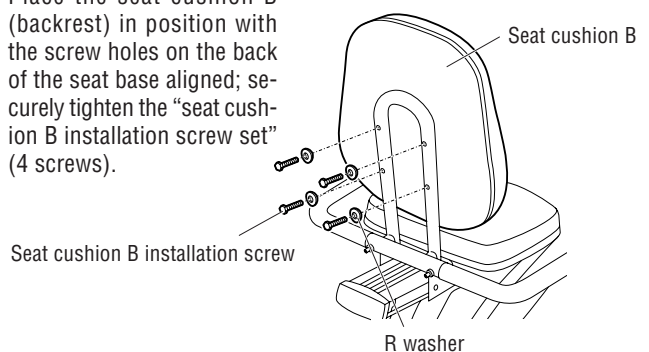


11 Installing the seat cushion

- Install the two "seat cushion A installation screws" on either side of the back of the seat cushion A (seat) and temporarily tighten the two screws.
- Secure the side of the cushion on which the screws were temporarily tightened to the top of the seat base.
- Install the remaining two screws and tighten all four screws to securely fasten the cushion.

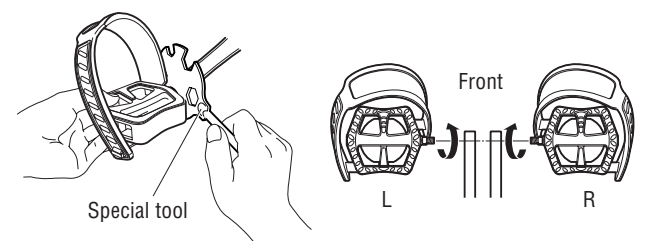


- Place the seat cushion B (backrest) in position with the screw holes on the back of the seat base aligned; securely tighten the "seat cushion B installation screw set" (4 screws).



12 Installing the pedals

- Use the provided special tool to securely fasten the pedals to the crank, as shown in the figure.
- Be sure to identify R and L of the pedal with the engraved mark.
- Fasten clockwise the R pedal, and counterclockwise the L pedal.

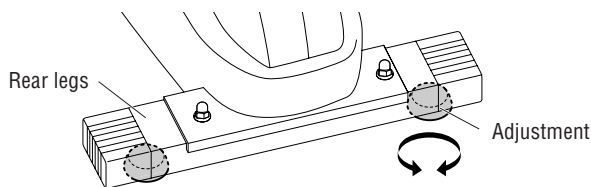


Adjusting the Components

Before using the product, follow the procedure below and adjust the components.

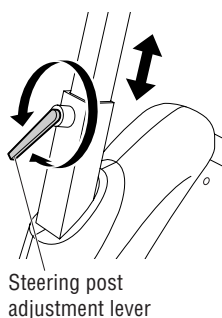
• Adjusting the leg adjusters

- If the main unit is unstable on the floor, use the adjusters of the rear leg to stabilize the unit.



• Raising/lowering the steering post

- Turn the steering post adjustment lever counterclockwise to move the steering post vertically.
- With the steering post at the desired height, turn the steering post adjustment lever clockwise to tighten it. The height of the steering post is now fixed in position.



- ⚠ **Caution** Do not raise the steering post above the maximum height mark.

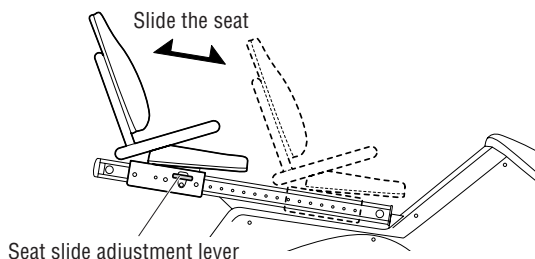
• When moving the main unit

- When moving the main unit, stand behind the unit and lift the rear leg of the unit to slightly raise the rear of the unit. The unit can now be moved on the casters.

• Moving the seat forward/backward

- Raise the seat slide adjustment lever to slide the seat forward/backward when sitting on the seat. With the seat at the desired position, release the lever and slightly move the seat. The position of the seat is now fixed.

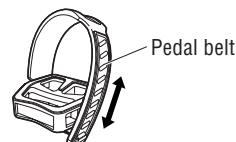
- ⚠ **Caution** When adjusting the seat position, make sure to slide the seat to the desired position with your feet on the pedals.



• Adjusting the pedal Strap

- Undo the pedal belt clasp on the right and left pedals. Fasten the clasps again at holes which are near the correct size for your feet.

- ⚠ **Caution** After adjusting the pedal belts, be sure to securely fasten the clasps.



GBF PRO RECUMBENT BIKE Controller

- ⚠ **Cautions**
 - Certain software packages whose packaging or documentation provides no indication of analog compliance or compatibility will not work in analog mode.
 - Certain software packages will not switch mode even if the analog mode switch is pressed. In the case of certain software packages, the mode switches automatically.

Important: Depending on the software, the GBF PRO RECUMBENT BIKE main unit controls sometimes take precedence over the gameplay screen and prevent operation of the controller.

Reference: This controller can be used as a controller for "Playstation2". In this case the sensitivity adjustment level controls will not be activated. Also note that it does not have the vibration function.

Steering sensitivity level control

- L2 button*
- L1 button*
- SELECT button

Direction key
Signal from controller:
When analog mode is OFF.

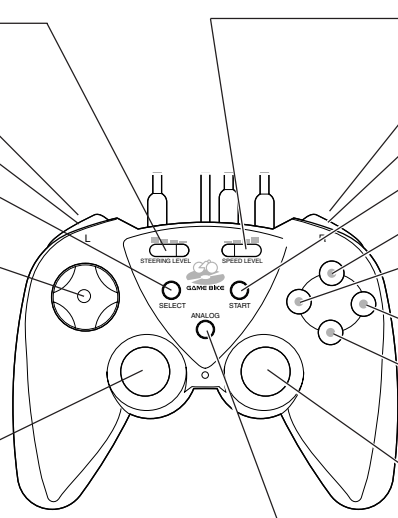
Left-hand stick/L3 button
Signal from controller:
When analog mode is ON.

Acceleration sensitivity level control

- R2 button*
- R1 button*
- START button
- Green button*
- Pink button*
- Brake signal
- Red button*
- Blue button*
- Speed signal

Right-hand stick/R3 button

Analog mode switch



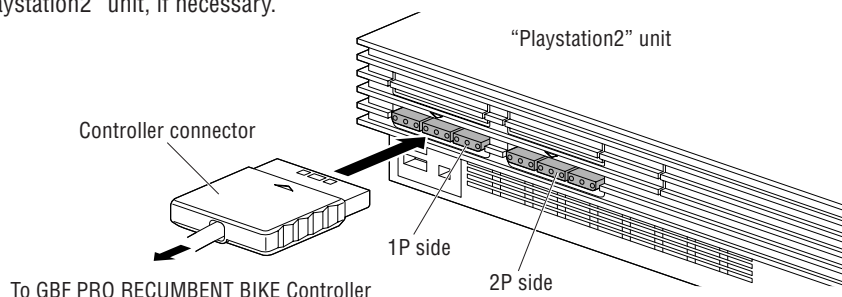
* Certain software does not work well with this device due to differences in button functions. In such cases, changing the function assigned to particular buttons will allow these software packages to work. For further information on how to change these functions, see "Changing button functions".

Connecting the device to Playstation2

This controller is compatible with the "Playstation2". Plug the connector of this device into the controller terminal located at the front of the "Playstation2". Consult the operating manual of the "Playstation2" unit, if necessary.

Important: If the GBF PRO RECUMBENT BIKE does not operate after connecting it to the PlayStation2 unit, disconnect it and reconnect it again.

Reference: It is possible for two players to play simultaneously by connecting two GBF PRO RECUMBENT BIKES or connecting to a general controller.

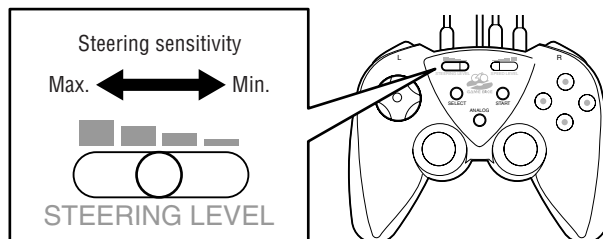


How to adjust the Controller

• Adjusting the steering sensitivity

Turn on the "Playstation2". Slide the controller's steering sensitivity level control and check the operation of the GBF PRO RECUMBENT BIKE steering on the Race Screen. Adjust the steering sensitivity to a suitable level.

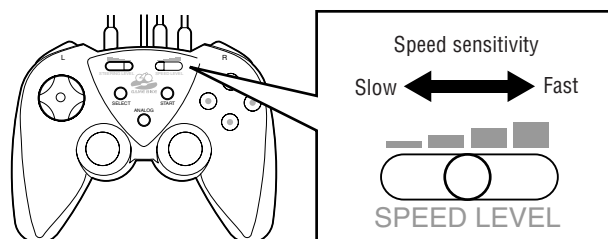
⚠ Caution Depending on the software, if the steering sensitivity is set to Min. when the steering is turned from left to right, the steering reaction does not work for the game.



• Adjusting the speed sensitivity

Turn on the "Playstation2". Slide the controller's speed sensitivity level control and check the GBF PRO RECUMBENT BIKE pedals on the Race Screen. Adjust the speed sensitivity to a suitable level.

⚠ Caution Depending on the software, while pedaling, the speed of the game does not register. This will cause the game not to move forward.



Button Function change

In the case of software with different button functions, change functions as follows:

The buttons to which functions can be assigned are green, pink, red, blue, L1, L2, R1 and R2.

<Operation>

Keep pressing the SELECT button until the following steps are completed:

1. Press the blue (or pink) button depending on the function to be changed.

The LED will change from constantly lit to blinking.

2. Press the default accelerator (or brake) button in the software currently being used.

The LED will change stop blinking and will be lit continuously, signifying that the function change is now complete.

(If analog mode is OFF, the LED will be off, signifying that the function change has been completed.)

• Revert to the original button function

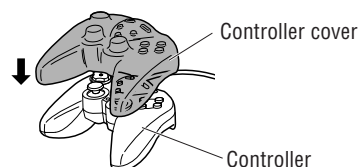
While pressing the SELECT button, press the speed button (blue) or brake button (pink).

Controller Cover Care

While using GBF PRO RECUMBENT BIKE, the user may perspire/sweat while training.

To prevent sweat from getting into the controller, please use the controller cover provided.

Please wash and dry after use.



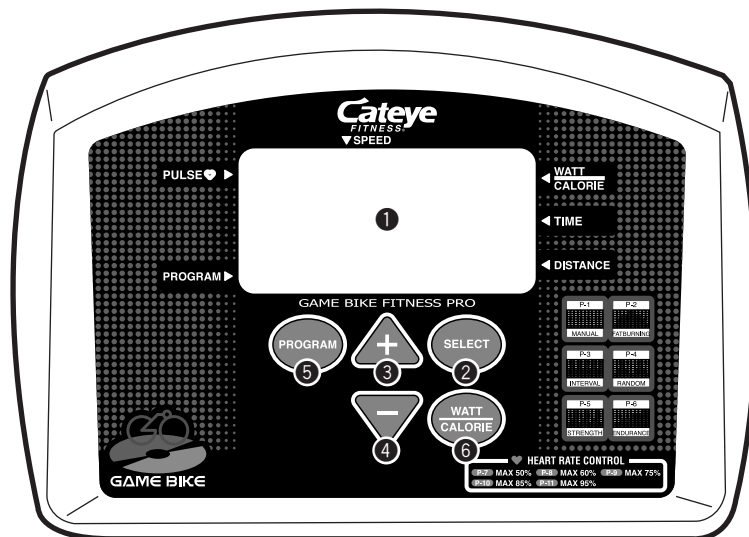
FCC

NOTE: This equipment has been tested and found to comply with the limits for a Class B digital device, pursuant to part 15 of the FCC Rules. These limits are designed to provide reasonable protection against harmful interference in a residential installation.

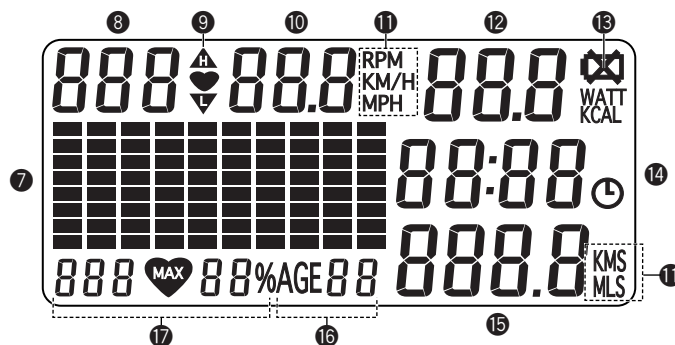
This equipment generates, uses and can radiate radio frequency energy and, if not installed and used in accordance with the instructions, may cause harmful interference to radio communications. However, there is no guarantee that interference will not occur in a particular installation. If this equipment does cause harmful interference to radio or television reception, which can be determined by turning the equipment off and on, the user is encouraged to try to correct the interference by one or more of the following measures:

- Reorient or relocate the receiving antenna.
- Increase the separation between the equipment and receiver.
- Connect the equipment into an outlet on a circuit different from that to which the receiver is connected.
- Consult the dealer or an experienced radio/TV technician for help.

GBF PRO RECUMBENT BIKE Console



- ① **Liquid crystal display**
- ② **SELECT button (Speed Unit switch button)**
Moves the condition setting to the next item.
Switches the speed unit.
- ③ **+ button**
Used to increase values and load level.
- ④ **- button (Reset button)**
When pressed for three seconds, resets all data except for the upper and lower heart rate limits and age.
- ⑤ **PROGRAM button**
Switches the program.
- ⑥ **WATT / CALORIE button**
Switches the indication between calorie consumption and watts.



- ⑦ **Profile**
- ⑧ **Pulse**
During entry: Indicates the entered settings of upper and lower heart rate limits.
During training: Indicates the current heart rate.
- ⑨ **Heart rate marks**
♥ Lights up in synchronization with your heart beats.
▲ Indicates the upper heart rate limit.
▼ Indicates the lower heart rate limit.
- ⑩ **Speed**
During training: Indicates the current speed.
- ⑪ **Data unit mark**
Indicates the unit of the displayed value.
- ⑫ **Watts / Calorie**
During entry: Indicates the entered setting of calorie consumption.
During training: Indicates the watts or calorie consumption since the start of training.
- ⑬ **Battery change mark**
Lights up when the batteries are low.
- ⑭ **Time**
During entry: Indicates the entered setting of the target exercise time.
During training: Indicates the elapsed time since the start of training.
- ⑮ **Distance**
During entry: Indicates the entered setting of the target distance.
During training: Indicates the distance since the start of training.
- ⑯ **Age**
- ⑰ **Program**
Indicates the selected program.



Mounting Batteries

Open the battery cover, and mount four LR-20 (D) batteries. Watch the orientation of the plus and minus poles.

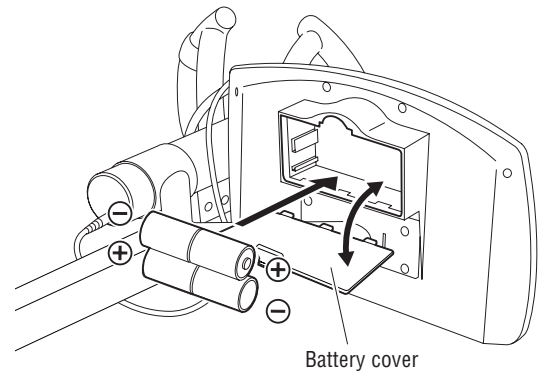
When they are mounted, the buzzer sounds, and all data is cleared automatically.

⚠ Caution If the buzzer does not sound, the orientation of the batteries may not be correct. Check the orientation, and mount the batteries again.

Changing batteries

When the batteries are low, the  mark lights up. When the  mark lights up, change the batteries before they become exhausted.

⚠ Caution Do not mix old and new batteries, or different types of batteries.

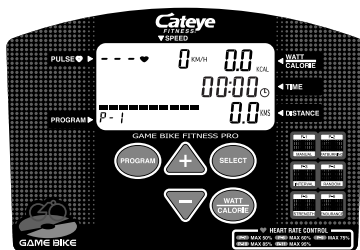


Trying out the GBF PRO RECUMBENT BIKE for the first time

First, ride the GBF PRO RECUMBENT BIKE to familiarize yourself with the machine.

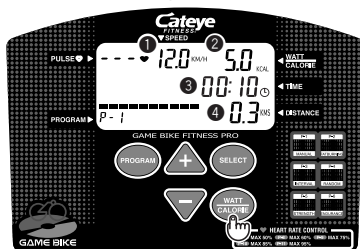
The bike can be used as fitness equipment without connecting it to Playstation 2.

Initial screen



When the batteries are mounted, the initial screen as shown in the figure appears. Start pedaling slowly.

Training screen 1



This screen displays your condition that keeps changing during training.

① Indicates the speed during training.

Reference: The SPEED indication can be switched between the pedaling speed (RPM) and riding speed (KM/H or MPH). (refer to "Entering target distance", page 9.)

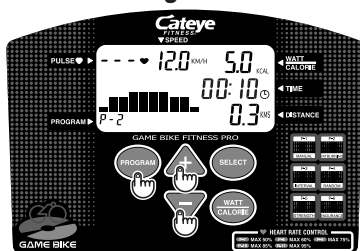
② Indicates the current calorie consumption.

When the  button is pressed, switches the indication to watts.


③ Indicates the elapsed time since the start of training.

④ Indicates the riding distance since the start of training.

Training screen 2





Changing the program


You can change the program by pressing the  button.

You can choose from the manual mode (P-1), five program modes (P-2 to P-6) with different load patterns, and five HR control modes (P-7 to P-11).

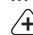

For details of each program, refer to "How to Select a Program" on page 10.

Changing the load level

You can change the load level by pressing the  and  buttons during training.

For example, press the  button. You can see that the profile graph goes up higher, and feel that the pedaling becomes heavier.

Reference: In the HR control modes, the load level does not change even when the

 and  buttons are pressed.

Power saving screen



When no signals are input for approximately three minutes in any of the screens, the blank power saving screen appears as shown in the figure. The screen previous to the power saving screen appears when you start pedaling again, or press any of the buttons.

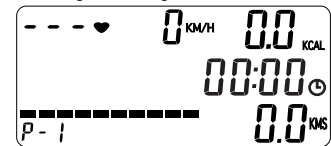
Training with Targets

You can specify targets for exercise time, distance and calorie consumption to set up the training suitable for you.

When you reach each of the target values, the buzzer sounds to notify you. After that the values start counting up.

Important: In order to exercise in the HR control modes (P-7 to P-11), you need the optional chest belt heart rate sensor (the sensor by Polar can also be used).

Training with Targets



Reference: When the **(SELECT)** button is pressed, the setting screen appears. When the **(SELECT)** button is pressed on the setting screen, the set target values are displayed in order.

To end the setting, leave it for about five seconds. The entered values are saved, and the setting is completed.

1. Entering target time

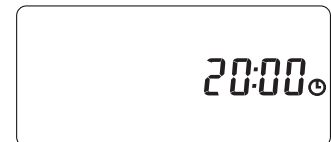
- When the **(SELECT)** button is pressed, only the time "00:00" appears.

Reference: When only one item is displayed, it means that the item is currently selected.

- To enter time, use the **(+)** or **(-)** button.

Every press of the **(+)** or **(-)** button increases or decreases the time respectively by one minute (when the buttons are kept pressed, it fast-forwards the increase/decrease).

Setting target time



2. Entering target distance

- When the **(SELECT)** button is pressed after the target time is entered, the target distance "0.0 KMS" appears.

Reference: When the **(SELECT)** button is pressed for two seconds, the unit of distance flashes.

By pressing the **(+)** or **(-)** button, you can select RPM, KM/H or MPH. When RPM or KM/H is selected, "KMS" is set for the unit of distance. If MPH is selected, MLS is set for it.

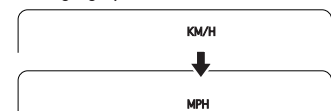
- To enter a distance, use the **(+)** or **(-)** button.

Every press of the **(+)** or **(-)** button increases or decreases the distance respectively by 0.5 km (or mile) (when the buttons are kept pressed, it fast-forwards the increase/decrease).

Setting target distance



Changing speed unit



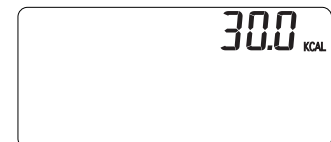
3. Entering target calorie consumption

- When the **(SELECT)** button is pressed after the target distance is entered, the target calorie consumption "0.0 KCAL" appears.

To enter calorie consumption, use the **(+)** or **(-)** button.

Every press of the **(+)** or **(-)** button increases or decreases the calorie consumption respectively by 10 KCAL.

Setting target calories consumption



4. Entering upper and lower heart rate limits

Warning For safe training, be sure to enter the upper heart rate limit.

The maximum heart rate in the HR control modes in this machine is calculated by "220 - your age." It is recommended that the upper heart rate limit be set to a value lower than this value.

- When the **(SELECT)** button is pressed after the target calorie consumption is entered, the target upper heart rate limit "0 **(▲)**" appears. When the **(SELECT)** button is pressed again, the target lower heart rate limit "0 **(▼)**" appears.

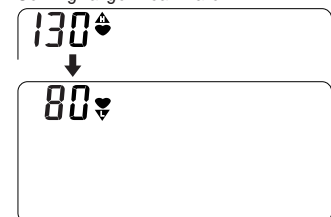
- To enter upper and lower limit values, use the **(+)** or **(-)** button.

Every press of the **(+)** or **(-)** button increases or decreases the upper and lower limit values respectively by 5 heartbeats.

Important: This function is enabled when you wear the chest belt heart rate sensor.

When your heart rate goes out of the range between the upper and lower limits, an alarm sounds. The alarm keeps sounding until your heart rate returns to within the range.

Setting target heart rate



5. Entering age

- When the **(SELECT)** button is pressed after the lower heart rate limit is entered, "AGE 30" appears.

To enter your age, use the **(+)** or **(-)** button.

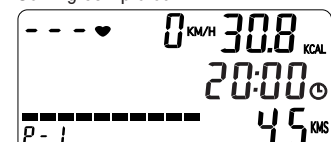
The target heart rate is calculated based on this entered age in the HR control modes.

Setting target age



- After all of the targets are specified, select a desired program mode, and start training. For details, refer to "How to Select a Program."



Setting completed



How to Select a Program

You can switch the exercise program in sequence during training by pressing the  button.




1. Manual (P-1)

- This is the most common program. You set the load level by pressing the  and  buttons.
- You can exercise at the constant load level.



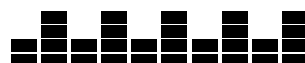
P-1 : Manual

2. Program modes (P-2 to P-6)

- You can view the profile of the changes in the selected load levels by pressing the  button.
- You can change the load levels of the profile by pressing the  or  button.



P-2 : Fatburning



P-3 : Interval



P-4 : Random




P-5 : Strength



P-6 : Endurance

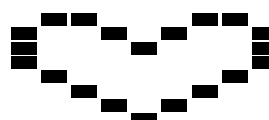
3. HR control mode (P-7 to P-11)

Important: In order to exercise in the HR control modes, you need the optional chest belt heart rate sensor (the chest belt heart rate sensor by Polar can also be used).

- The target heart rate is calculated from the maximum heart rate, and load is automatically increased and decreased to maintain the heart rate during training.
- The target heart rate is the rate of the load to the maximum heart rate for each age is displayed in %. You can switch the 5 levels, from 50% to 95% of the maximum heart rate by pressing the  button.

At this time, the heart mark is displayed on display.

- By entering your age, you can select a target heart rate suitable for your purpose.



- P-7 : Maximum heart rate 50%
- P-8 : Maximum heart rate 60%
- P-9 : Maximum heart rate 75%
- P-10 : Maximum heart rate 85%
- P-11 : Maximum heart rate 95%

*The maximum heart rate is calculated by "220 - age."

Daily inspection

Be sure to perform the following daily inspection before using the product.

Be sure the seat cushion is tight.

Move the seat cushion from side to side. Be sure the cushion is tight.

If it is loose, use the 13 mm wrench to securely tighten the seat cushion A (seat) and B (backrest) installation screws with a torque of 19.6 Nm (200 kgf/cm).

Be sure the pin of the seat slide adjustment lever has been inserted securely.

If anything is abnormal, contact CAT EYE or the dealer from whom the product was purchased.

Be sure that the steering unit has been securely fixed to the steering post.

If it is loose, use the L wrench to securely tighten the steering unit installation screws (4) with a torque of 19.6 Nm (200 kgf/cm).

Be sure the seat handle is tight and not loose or rattling.

Move the seat handle from side to side. Be sure there is no excessive play.

If it is loose, use the L wrench to securely tighten the seat handle installation screws (2) with a torque of 19.6 Nm (200 kgf/cm).

Be sure the pedals are securely attached to the crank.

If a pedal is loose, securely tighten it.

Be sure there is no left, right, front, or rear looseness of the main unit.

If the main unit wobbles, securely tighten the leg-pipe installation nuts on the front and rear legs (2 nuts for each leg). Turn the level adjusters (2) on the rear leg pipe so that the main unit remains level.





Be sure there are no cracks or other abnormalities of the main unit frame or other components.

If anything is abnormal, contact CATEYE or the dealer where the product was purchased.

Troubleshooting

The following situations are not actual malfunctions. Analyse such cases before requesting a repair.

If trouble occurs, first reset the game, if the trouble continues. Please contact the service center.

Problem	Check items	Countermeasures
Steering response is slow compared to the actual steering operation.	Has the steering sensitivity been adjusted properly?	See "How to adjust the controller" and increase the steering sensitivity.
Steering response is extreme compared to actual steering operation.	Is the steering sensitivity correct?	See "How to adjust the controller" and decrease the steering sensitivity.
Game speed is slow compared to pedaling speed.	Did you adjust speed sensitivity?	See "How to adjust the controller" and increase the speed sensitivity.
Game speed is too fast compared to pedaling speed.	Did you adjust speed sensitivity?	See "How to adjust the controller" and decrease the speed sensitivity.
Despite the pedaling, game speed is not fast enough.	Is the speed sensor cord connected properly?	No game speed occurs when the bike is pedaled. Securely insert the controller's blue jack.
Brake does not work.	Are you pressing brake button firmly?	To operate the brakes during the game, press the brake button.
	Is the brake button cord connected properly?	Insert the cord securely into the center jack on the controller.
Steering operation does not work.	Is the cord of the main unit connected properly?	Insert the gray cord from the main unit securely into the jack.
	Is software with non-standard button assignments being used?	Depending on the game, the button controls may be different from the ordinary controls. See "Changing button functions" and change so that the buttons function correctly.
	After trying the above methods but the steering device is not working? The main unit steering resistance switch may be broken.	Please contact the service center for details to replace or repair.
There is a rattling sound when the pedals are turned.	Are the pedals securely attached to the crank?	Securely tighten the pedals.
Nothing is displayed.	Check for exhausted batteries in the console. Are the batteries mounted properly?	Replace with new LR-20 (D) batteries.
	(Check the orientation of the plus and minus poles.)	Mount the batteries in the proper orientation.
Buttons do not respond.	Check for illumination of the  mark.	Replace with new LR-20 (D) batteries.
	Are the batteries mounted properly? (Check the orientation of the plus and minus poles.)	Mount the batteries in the proper orientation.
Despite pedaling, time, speed, distance and calorie consumption are not displayed.	Is the cable connector that extends from the steering post firmly inserted to the console?	Insert the cable connector firmly as far as it will go.
Despite load level increase, pedaling load does not change.	Is the speed sensor cord connected properly?	No game speed occurs when the bike is pedaled. Securely insert the controller's blue jack.
	Check for illumination of the  mark.	Replace with new LR-20 (D) batteries.
Heart rate is not displayed.	Is the chest belt properly worn?	Wear the chest belt properly.
	Check the distance between the console and the chest belt: it should be within 100 cm.	Keep the distance between the console and the chest belt within 100 cm.
	Check for exhaustion of the battery of the chest belt.	Replace with new batteries.
	Check for illumination of the  mark.	Replace with new LR-20 (D) batteries.
Abnormally low heart rate is displayed.	Check for exhaustion of the battery of the chest belt.	Replace with new batteries.
	Check for illumination of the  mark.	Replace with new LR-20 (D) batteries.
Abnormally high heart rate is displayed.	Are there any devices nearby that emit electromagnetic waves?	Move the probable cause(s) away from this machine.

Specifications

Product specifications

Use	Game controller for household use and for commercial use	
Compatible gaming devices	Same as the controller included	
Power source / battery life	LR-20 (D) (UM-1) x 4 / Approx. 4 months (Using Alkaline batteries, battery life is about 6 hours of use per day.)	
Display functions	Function	Display range
	Exercise Time	0:00 to 99:59
	Current speed	0.0 to 99.9 km/h (Mile/h)
	Trip distance	0.0 to 99.9 km (Mile)
	Heart rate	30 to 240 bpm
	Calories consumption	0.0 to 999 kcal
	Wattage	0 to 999 watt
Heart rate sensor	Receiver board embedded in the wireless heart rate sensor: Signals received by "chest belt heart rate sensor" (compatible with Polar)	
Operating temperature range	32 °F to 104 °F	
Storage temperature range	14 °F to 140 °F	
Maximum rotation	±50 degrees	
Dimension / weight	Supported height range (reference)	51.18" to 62.99" (130 to 190 cm)
	Maximum weight limit	Approx. 264 lb (120 kg)
	Size (W x H x D)	63.8" x 50" x 24.0" (1620 mm x 1270 mm x 610 mm)
	Seat adjustable range	21.3" to 39.8" (540 to 1010 mm) 14-level adjustment
	Weight	105.6 lb (48.0 kg)

*Battery life is limited to the sample and varies depending upon use.

*The battery provided is only for the monitor and has a shorter battery life.





Controller Specifications

Compatible gaming devices	Compatible gaming devices SONY Playstation and Playstation2
Size (W x H x D)	6.3" x 2.8" x 4.5"
Weight	Approx. 10.6 oz (300 g)
Operating temperature range	Same as applied game device.


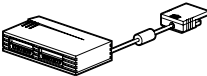
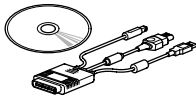
This GBF PRO RECUMBENT BIKE can be used with the Playstation as well. For use with analog software, press the "Analog mode switch" to illuminate the LED. Non analog-compliant software cannot be used.

*Specification and actual appearance of components subject to change without notice due to improvements.

Spare Parts

 #784-0001 Controller	 #784-0010 Controller cover	 #784-0040 Connection cable
		 #784-0020 Brake button

Optional Parts

 #784-0002 Wireless controller	 #7041-390 Multi-tap	 #7041-380 Controller adapter (GAMECUBE / Xbox / PC compatible)
--	---	---

Warranty / Repairs. Service

Warranty: Applicable to GBF PRO RECUMBENT BIKE main unit and controller

In the event that a defect in materials or production results in a product failure during ordinary use, the product or component will be repaired or replaced free of charge, subject to the contents listed separately on the warranty certificate.

Please consult with the store where you purchased your GBF PRO RECUMBENT BIKE, in the event warranty service is needed.

CATEYE CO., LTD. Product Service Section

2-8-25, Kuwazu, Sumiyoshi-ku, OSAKA, 546-0041 Japan

PHONE: 81-6-6719-7781 FAX: 81-6-6719-2362

E-mail address: sales@cateye.co.jp

Attn: CS/PR. LIAISON.

For North American Customers Source Distributors, Inc

11116 Grader Street Dallas, TX 75238 U.S.A.

Telephone: 1(972)644-8403

Fax: 1(972)644-4866

Toll Free: 800-872-1105

E-mail: cateye@sourcedistributors.com

URL: http://www.cateyefitness.com/

Serial number



Copyright© 2005
CATEYE Co., Ltd.



All company, product, and service names are trademarks and registered trademarks of the relevant companies.

The GBF PRO RECUMBENT BIKE is not compatible with all game software. There will be instances when the game software will not function properly. If this occurs, please contact CATEYE CO., LTD.



GAMEBIKE FITNESS PRO™ RECLINING BIKE

〈ゲームバイク フィットネス プロ・リクライニングバイク〉

取扱説明書

Model GB-300R

Cateye
FITNESS

このたびはキャットアイ・GBF PRO リクライニング (ゲームバイク フィットネス プロ・リクライニングバイク) をお買い上げいただき誠に有難うございます。
ご使用にあたり、説明書を良くお読みいただきますようお願い致します。またこの説明書は保証書と共に大切に保管してください。

安全にお使いいただくために

本文中のマークの意味

- ▲** : マークのついた文章は、安全上及び取り扱い上非常に重要です。必ず守ってください。
- ▲警告** : 守らなかったとき死亡あるいは人体に重大な危害が及ぶ場合がある事項です。
- ▲注意** : 守らなかったとき人体に危害が及んだり機器が破損する場合がある事項です。
- 重要** : 注意が必要な操作、守っていただきたい事項または補足事項について説明しています。
- 参考** : 知っておくと便利な事項または補足事項について説明しています。

フィットネス安全指導

運動を始める前に主治医もしくは健康専門家にご相談ください。年齢・状態に適した運動頻度、強度 (目標心拍数)、時間をアドバイスしてもらえます。

重要な注意

本器を使用する前には、必ずこの注意事項及び取扱説明書をよくお読みの上、正しく安全にお使いください。

▲警告

- ・所有者は責任をもって使用者全員にすべての注意事項をお知らせしてください。
- ・心臓病 (狭心症、心筋硬塞など)、高血圧症、糖尿病、呼吸器疾患 (ぜんそく、慢性気管支炎、肺気腫など)、変形性関節症、リュウマチ、痛風、妊娠中の方、その他病気や障害のある方はエクササイズを始める前に、必ず専門医師にご相談ください。
- ・運動中に胸の痛み・締めつけ、不整脈、息切れ、めまい、不快感等、体に異常を感じた時は、直ちに運動をおやめください。運動継続の前に主治医にご相談ください。
- ・身体の調子がよくないとき (激しい疲労感、二日酔、下痢、頭痛等) は、運動を中止しましょう。体調は日々変化する場合がありますので、運動は自己管理において実施してください。
- ・運動を始める前にはメディカルチェック (健康診断) を受けるようにしましょう。
- ・本機には幼児やペットを近づけないでください。乳幼児の予測できない行動により事故のおそれがあります。
- ・運動時には背中を真っ直ぐにし背中を曲げてはいけません。
- ・日頃運動していない方が急に強い運動をすることは危険な場合がありますので、徐々に運動強度を上げるようにしてください。
- ・お子様・ご病人・お身体の不自由な方が本機をご使用になるときは、必ず誰かが付き添うようにしてください。
- ・アルコール類を飲まれての使用は大変危険ですので、絶対にしないでください。

管理者の方へ

- ・お様が接続コードで遊ばぬよう十分に注意してください。首などに巻きついたり、コードを引っ張って本機や接続機器の落下によるけがおよび、本体の破損、故障の原因になります。
- ・お様がご使用の際は、必ず管理者の方が正しい使用方法を十分に教えてから使用させてください。また、使用中も目を離さないようにしてください。
- ・本機は乳幼児の手の届かないところに保管してください。

▲注意

- ・本機は室内の平らな床面に設置してご使用ください。湿気やほこりのある所ではご使用しないでください。設置の際には本機の下にマットを敷き、床もしくはカーペットを保護してください。転倒によるけがおよび本体の破損、故障の原因になります。
- ・全ての部品を定期的に確認してください。ゆるみ、ガタつきがある場合はきちんと締めつけ、疲弊した部品はすみやかに交換してください。使用前には日常点検を行ってください。(22 ページ「日常点検」参照)
- ・体重 120 kg 以上の人は本機をご使用にならないでください。
- ・使用時には運動に適した服装で行い常に運動靴を着用してください。ゆったりした衣服では本機にひっかけ、けがをするおそれがあります。
- ・コントローラーをつかんでステアリングを切らないでください。コントローラーやブラケットに無理な力がかかり破損するおそれがあります。
- ・GBF PRO リクライニング本体のステアリングの回転範囲は左右各 50° です。ストッパーを越えて回転させないでください。無理に回転させると破損します。
- ・本機は精密機器です。製品を落としたり乱暴に扱うなど強い衝撃を与えたりしないでください。また、水をこぼしたり、分解や改造はしないでください。修理などの保証が受けられなくなることがあります。
- ・高温・多湿になる場所や直射日光の当たる場所には放置しないでください。
- ・本機の接続コードを指定以外の機器に差し込まないでください。本機および機器の故障の原因となります。
- ・本機を使用しないときは必ず接続端子から接続コードを抜いておいてください。

▲注意

- ・接続側の機器および本機に異常を感じたら、ただちに使用を中止し、お買上になった販売店へ点検を依頼してください。
- ・本機は重量物です。移動の際には足の上に落としたりしないよう十分に注意してください。
- ・接続コードの抜き差しは、必ずコネクタ部分を持って抜き差しをして、必要以上に力をかけないでください。
- ・接続されているコードを踏んだり、強く曲げたり、引っ張ったり、コードを傷をつけたりしないでください。
- ・接続ハード本体の電源を入れたまま、コントローラーの各接続プラグを抜き差ししないでください。接続ハードが異常をきたす恐れがあります。
- ・使用中に接続ハード本体に振動が加わると、画像や音がずれたりする場合がありますのでご注意ください。使用するときは接続ハード本体に本機などの振動が伝わらないように離して設置するなどしてご使用ください。
- ・本機は必ずモニターの正面に設置して画面が見えやすいか確認した上で使用してください。
- ・コードの上に物があつたり、コードが絡んだりしている状態では使用しないでください。
- ・本機の汚れは乾いた布などで落とし、シンナー・ベンジンなどの揮発性のあるものは絶対に使用しないでください。変形・変質・変色の原因となります。
- ・ご高齢の方が使用される場合は、介護される方の十分な注意が必要です。
- ・ごくまれに、強い光の刺激を受けたり、点滅を繰り返すテレビ画面を見ていると、一時的に筋肉のけいれんや意識の喪失などの症状を起こす人がいるという報告があります。こうした症状のある方は、事前に必ず医師と相談してください。また、ゲーム中の画面を見ていてこのような症状が起きた場合は、すぐに医師の診察を受けてください。
- ・視力障害を防ぐために、ゲームは1時間ごとに15分程度の休憩を取ってください。
- ・疲れているときや睡眠不足のときはご使用を避けてください。
- ・部屋を明るくし、なるべくテレビ画面から離れてご使用ください。
- ・GBF PROリカレントに接続して使用する際はコントローラーに汗がかからないようにコントローラーカバーをかぶせることをお奨めします。コントローラーに直接汗がかかると、故障の原因となります。

重要

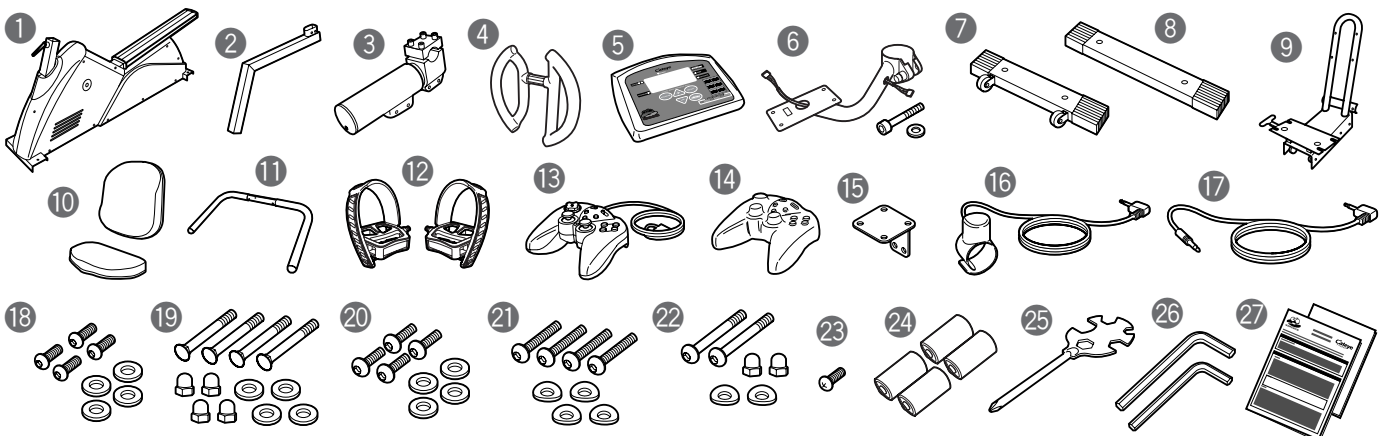
- ・本機はレースゲームでお楽しみいただけます。操作方法がソフトによって多少異なる場合があります。
- ・近隣の迷惑にならないよう、ご使用になる時間帯や振動など十分に注意して使用してください。
- ・初めてご使用になる際は、セット内容と保証書の「お買い上げ年月日、販売店名」を必ずご確認ください。
- ・本機をご使用になる前に、コードなどに傷みはないか点検して使用してください。
- ・取扱説明書はいつでも見られるように大切に保管してください。
- ・静電気などによる影響でゲームソフトが異常な動きをした時は、リセットボタンを押すか、電源を入れ直してください。

本製品をご利用になる前に、主治医にご相談ください。これは35歳以上もしくは既往症のある方には特に重要です。使用前に全ての指示をお読みください。本製品の使用による人的けがもしくは財産被害に対して(株)キャットアイはいかなる責任も持ちません。

梱包内容の確認

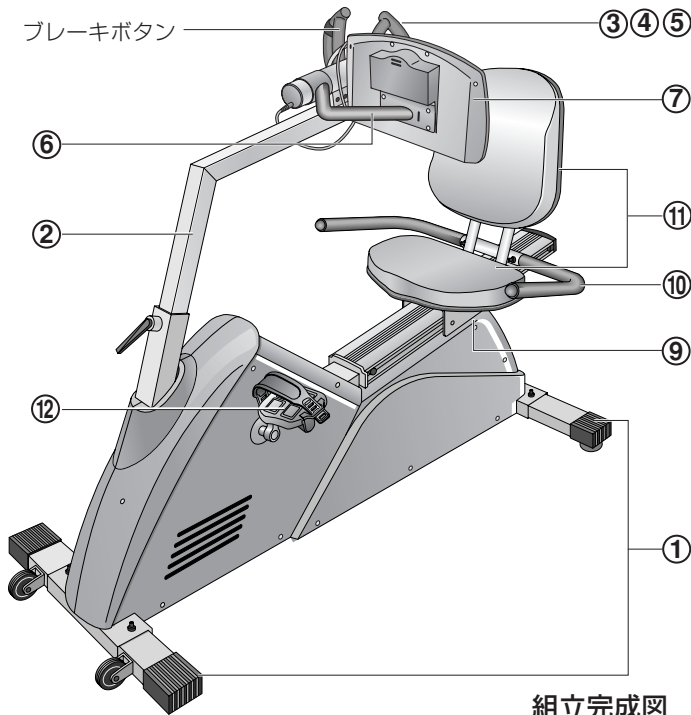
次の物が入っているか確認してください。不足がありましたらお買い上げの販売店にご連絡ください。

- | | | |
|------------------|---------------------------|-------------------------|
| ① 本体フレーム | ⑬ ブレーキケーブル | ⑳ シートハンドル取付ネジセット |
| ② ステアリングポスト | ⑭ 接続ケーブル (ステアリング用) | ・六角穴付トラスネジ M8 × 50 (2個) |
| ③ ステアリングユニット | ⑮ ステアリングユニット取付ネジセット | ・六角袋ナット M8 (2個) |
| ④ ステアリング | ・六角穴付トラスネジ M8 × 15 (4個) | ・R付ワッシャ M8 (2個) |
| ⑤ コンソール | ・平ワッシャ M8 (4個) | ㉑ ストッパーネジ (1個) |
| ⑥ ブラケット | ⑯ 前脚・後脚取付ネジセット | ㉒ 単1乾電池 (4本) |
| ⑦ 前脚 | ・角根丸頭ボルト M8 × 50 (4個) | ㉓ 専用工具 |
| ⑧ 後脚 | ・六角袋ナット M8 (4個) | ㉔ 六角レンチ (2本) |
| ⑨ シートベース | ・平ワッシャ M8 (4個) | ㉕ 取扱説明書/保証書 |
| ⑩ シートクッション(A)(B) | ㉖ シートクッションA (座面側) 取付ネジセット | |
| ⑪ シートハンドル | ・六角孔付トラスネジ M8 × 20 (4個) | |
| ⑫ ペダル(L)(R) | ・平ワッシャ M8 (4個) | |
| ⑬ コントローラー | ㉗ シートクッションB (背面側) 取付ネジセット | |
| ⑭ コントローラーカバー | ・六角孔付トラスネジ M8 × 40 (4個) | |
| ⑮ コントローラーブラケット | ・R付ワッシャ M8 (4個) | |



GBF Pro リカンベントの組み立て 1

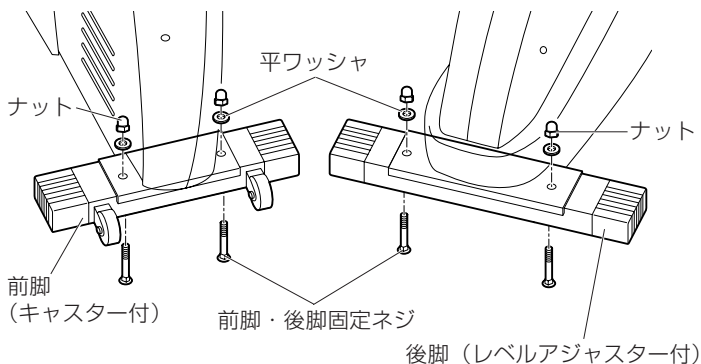
次の手順に従って組み立ててください。



組立完成図

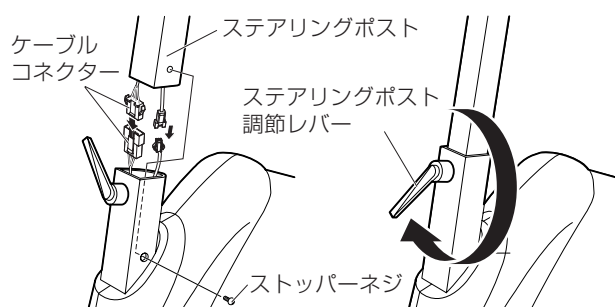
① 前脚・後脚の取り付け

- ・前脚（キャスター付）を本体前部（ステアリングポスト側）に「前脚・後脚取付ネジセット」（各4個）でしっかり締め付け固定します。
- ・同様に後脚を本体後部に取り付けます。



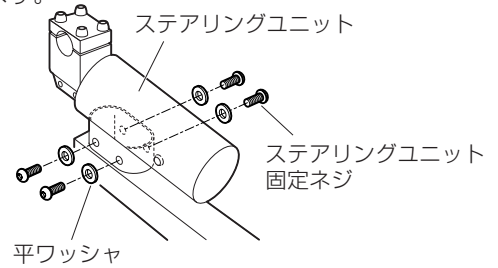
② ステアリングポストの取り付け

- ・ステアリングポスト側のコネクタ（2個）と本体側のコネクタ（2個）を繋ぎます。
- ・ステアリングポスト調節レバーを反時計回りにまわし、ゆるめてから本体フレームにステアリングポストを差し込みます。
- ▲注意** 本体フレームにステアリングポストを差し込む際、パイプ内のケーブルを挟み込まないようにしてください。
- ・ステアリングポストを刻印されている位置まで引き上げて、ステアリングポスト調節レバーで固定します。
- ・フレームパイプの側面の穴からステアリングポストのネジ孔にストッパーネジを取り付け、しっかり締め付けます。



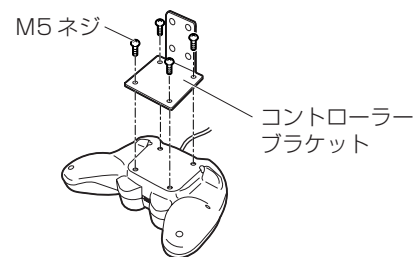
③ ステアリングユニットの取り付け

- ・ステアリングユニットをステアリングポストに差し込み、「ステアリングユニット取付ネジセット」（4個）でしっかり締め付け固定します。



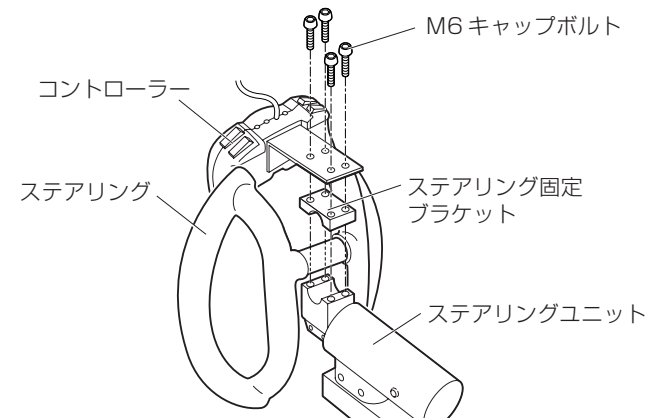
④ コントローラーブラケットの取り付け

- ・コントローラー裏面のM5ネジ（4個）を外します。
- ・取り外したM5ネジでコントローラーブラケットをコントローラーへ固定します。



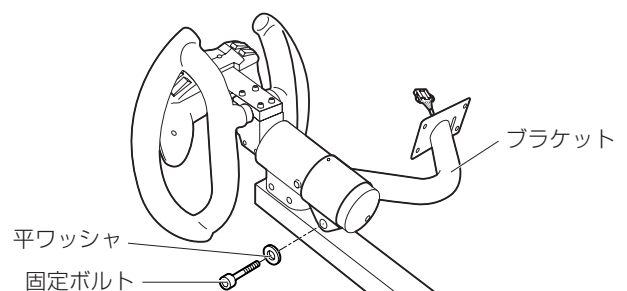
⑤ ステアリングとコントローラーの取り付け

- ・ステアリングユニットのステアリング固定ブラケットを取り付けているM6キャップボルトを外します。
- ・ステアリングを取り付け、外したボルトで、ステアリング固定ブラケット、コントローラーをしっかりと固定します。
- 重要** ステアリングはステアリングユニットに対して垂直になるように取り付けます。



⑥ ブラケットの取り付け

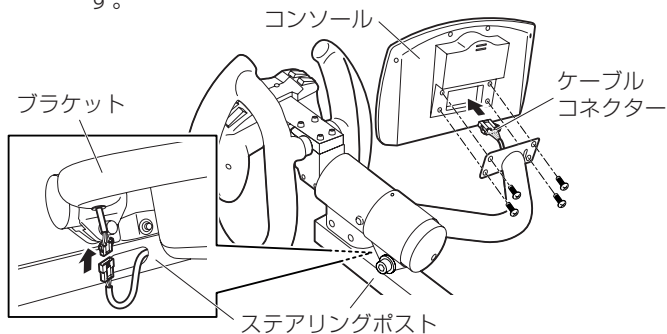
- ・ステアリングユニットにブラケットを取り付けます。ステアリングユニットの下からブラケットを差し込み、付属のボルトでしっかりと固定します。
- 重要** ブラケットはステアリングユニットに対して水平になるように取り付けます。



GBF Pro リカンベントの組み立て 2

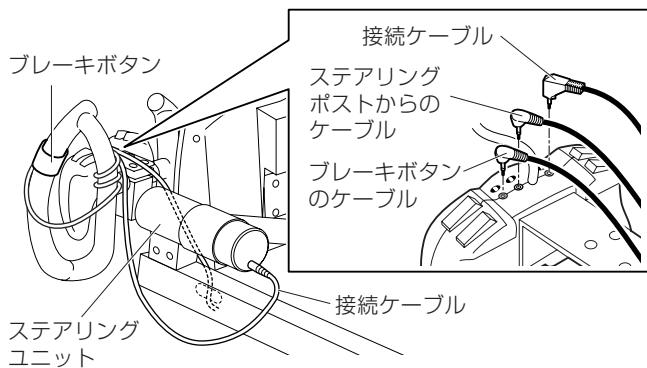
⑦ コンソールの取り付け

- ・コンソール裏面のネジ4本を外します。
- ・ブラケットから伸びるケーブルコネクタをコンソール裏面のケーブルインレットに差し込みます。
- ▲注意** ケーブルコネクタは、しっかりと奥まで差し込んでください。差し込みが不十分でコネクタの接触が悪いと機能しません。
- ・取り外したネジでコンソールをブラケットに固定します。
- ・ステアリングポスト側のコネクタとブラケット側のコネクタを繋ぎます。
- 重要** 余分なコードはステアリングポストの孔に収納します。



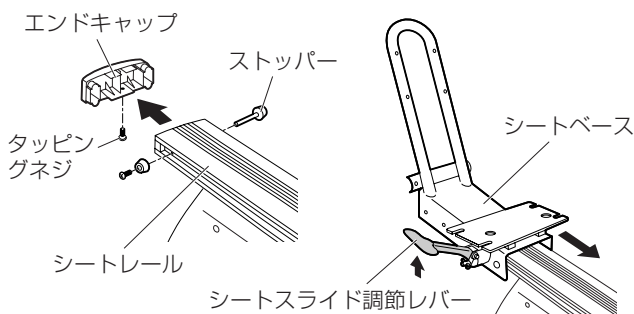
⑧ コントローラーとの接続方法

- ・ステアリングポストから伸びるスピードセンサーケーブルのプラグ（水色）をコントローラーのSジャックに差し込みます。
- ・ブレーキボタンをステアリングに取り付け、ケーブルのプラグ（黄色）をコントローラーのBジャックに差し込みます。
- 重要** ブレーキボタンの余分なコードはステアリングにまき付けて処理します。
- ・接続ケーブルのプラグをコントローラーのHジャックに差し込み、もう一方のストレート型プラグをステアリングユニットの底面にあるジャックに差し込みます。



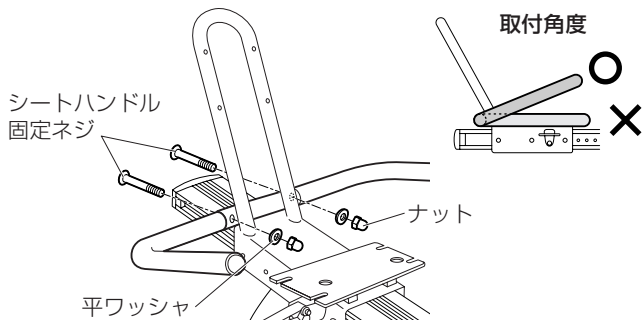
⑨ シートベースの取り付け

- ・シートレール最後部のエンドキャップのタッピングネジを外して、エンドキャップを取り外します。
- ・シートレール側面に取り付けられたストッパーを外します。
- ・シートスライド調節レバーを上げながら本体レールに差し込みます。
- ・取り外したストッパー、エンドキャップを元の状態に戻します。



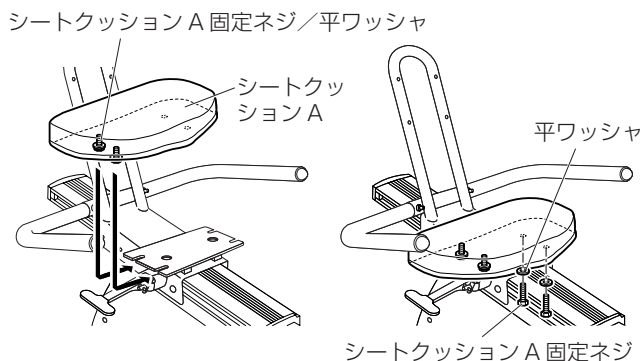
⑩ シートハンドルの取り付け

- ・シートハンドルをシートベース後部に合わせ「シートハンドル取付ネジセット」(各2個)でしっかり締め付け固定します。
- ▲注意** シートハンドルは図のようにハンドルの先が上を向くように取り付けます。

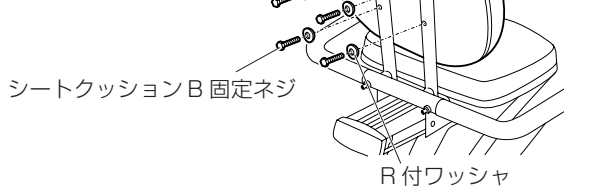


⑪ シートクッションの取り付け

- ・シートクッションA（座面側）の裏面の4つのネジ孔のうち左右のどちらか2ヶ所を「シートクッションA取付ネジセット」(各4個)で仮止めします。
- ・仮止めした側をシートベース上面に固定します。
- ・残りのネジセットを取り付け、仮止めの2つのボルトと一緒にしっかり締め付け固定します。

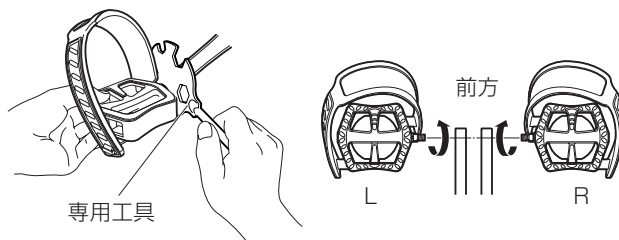


- ・シートクッションB（背面側）をシートベース後部のネジ孔に合わせ「シートクッションB取付ネジセット」(各4個)でしっかり締め付け固定します。



⑫ ペダルの取り付け

- ・ペダルを図のようにクランクに、付属の専用工具を使ってしっかり締め付けます。
- ・ペダルは「R」「L」の区別があるので刻印で確認してください。
- ・「R」は時計方向、「L」は反時計方向に締め付けてください。

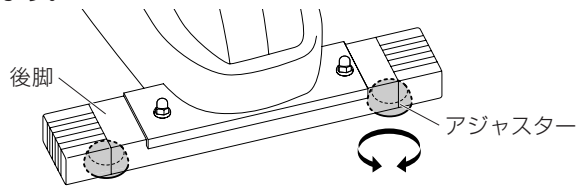


各部の調整

ご使用前に下記の手順にしたがって各部の調整を行ってください。

● 脚アジャスターの調整

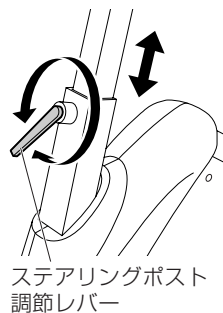
- ・本体と床とのがたつきは、後脚のアジャスターをまわして調整します。



● ステアリングポストの上下調整

- ・ステアリングポスト調節レバーを反時計回りにまわすとステアリングポストを上下に動かすことができます。
- ・自分に合った高さに調節してステアリングポスト調節レバーを時計回りにまわしてしっかり固定します。

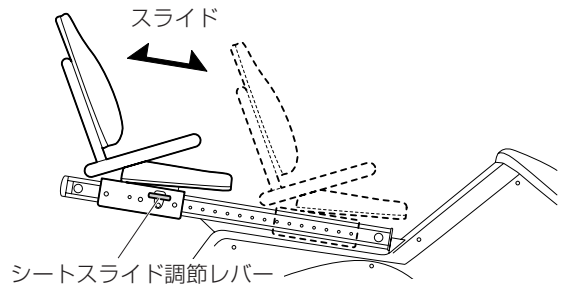
△注意 ステアリングポストは刻印されている指示線以上に引き上げないでください。



● シートの前後の調整

- ・シートスライド調節レバーを上げると、座ったままシートを前後にスライドできます。自分に合ったシート位置でレバーを離し、シートを少し動かすと固定されます。

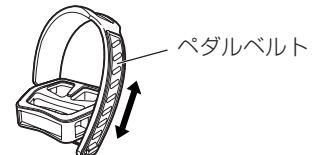
△注意 調節する際は、ペダルに脚をかけた状態でスライドさせてください。



● ペダルベルトの調整

- ・左右のペダルベルトの止め具を外し自分の足の大きさに近い孔で止め具を付け直してください。

△注意 ペダルベルトの調整後は止め具をしっかり付け直してください。



● 本体の移動

- ・本体を移動するときは、後方から後脚を持ち上げて後部を浮かせ、キャスターを使って移動させてください。

コントローラーの説明

- △注意** ・パッケージまたは解説書にアナログ対応マークの標記がされていないソフトは、アナログモードに切り換えると操作ができないものがあります。
・ソフトによっては、アナログモードスイッチを押してもモードが切り換わらないものがあります。

重要 ソフトによっては、プレイ画面でGBF Pro リカンベント本体の操作が優先され、コントローラーでの操作ができない場合があります。

参考 本機のコントローラーは、「プレイステーション2」のコントローラーとして使用できます。その場合、感度調整ボリュームは操作できません。またバイブレーション（振動）機能は含まれていません。

ステアリング感度調整ボリューム

L2 ボタン ※

L1 ボタン ※

SELECT ボタン

方向キー

本体信号：アナログ OFF の場合

左スティック / L3 ボタン

本体信号：アナログ ON の場合

アクセル感度調整ボリューム

R2 ボタン ※

R1 ボタン ※

START ボタン

緑ボタン ※

ピンクボタン ※

ブレーキボタン信号

赤ボタン ※

青ボタン ※

スピードセンサー信号

右スティック / R3 ボタン

アナログモードスイッチ

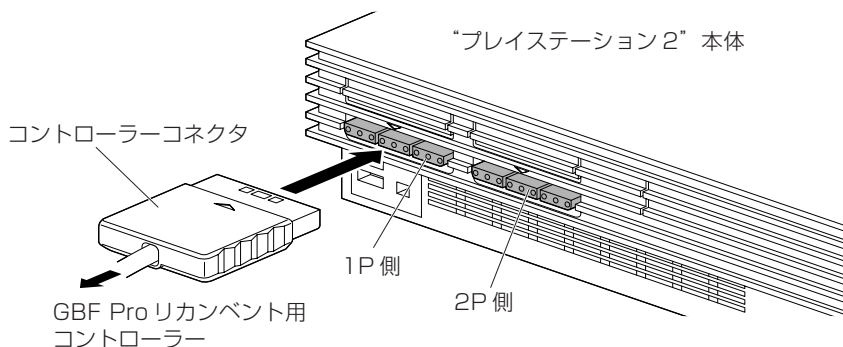
- ※ ソフトによってはボタンの機能の違いにより、そのままでは対応できないものがあります。この場合は、ボタンに割り当てられている機能を変更することで対応できます。変更方法については、「ボタン機能の変更」を参照してください。

"プレイステーション2"との接続

本器は"プレイステーション2"専用コントローラーです。"プレイステーション2"本体前面のコントローラー端子に本器のコネクタを差し込んでください。また、"プレイステーション2"の取扱説明書も合わせてご覧ください。

重要 GBF PRO リカンベント専用コントローラーを"プレイステーション2"に差し込んでもゲームができない場合は、もう一度コネクタを差しなおしてください。

参考 GBF PRO リカンベントを2台接続しての対戦や、一般コントローラーを接続して対戦することもできます。

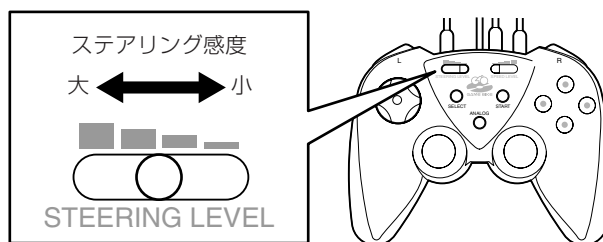


コントローラーの調整方法

● ステアリング感度の調整

"プレイステーション2"の電源を入れ、コントローラーのステアリング感度調整ボリュームをスライドしてレース画面でGBF PRO リカンベントのステアリングを操作し、適度なステアリング感度に調整します。

注意 ゲームソフトによってはステアリング感度を最小にしたとき、ステアリングをきいても応答しないことがあります。



● アクセル感度の調整

"プレイステーション2"の電源を入れ、コントローラーのアクセル感度調整ボリュームをスライドしてレース画面でGBF PRO リカンベントのペダルを回し、適度なアクセル感度に調整します。

注意 ゲームソフトによってはアクセル感度を最小にしたとき、ペダリングしても応答しないことがあります。



ボタン機能の変更

ボタンの機能が異なるソフトでは、下記の手順でボタン機能を変更して対応させます。指定できるボタンは、緑、ピンク、赤、青、L1、L2、R1、R2 ボタンです。

<操作>

2の操作が完了するまでSELECT ボタンは押したままにします。

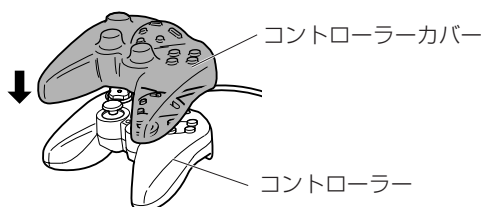
1. 青：アクセル（またはピンク：ブレーキ） ボタンを押します。
LED が点灯から点滅に変わります。
2. 使用中のソフトで、アクセル（またはブレーキ）になっているボタンを押します。
LED が点滅から点灯に変わり、機能変更が完了します。
(アナログモードがOFFの場合は、LED が消灯して機能変更が完了します。)

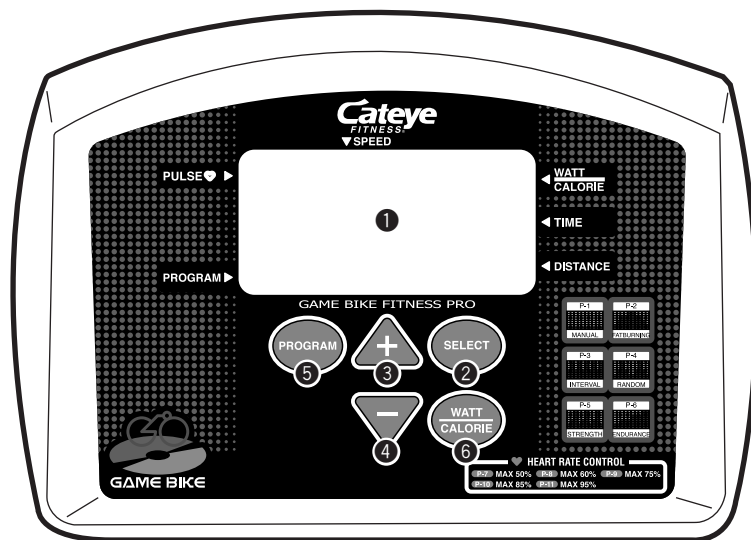
●元のボタン機能に戻す

SELECT ボタンを押しながら青：アクセル（またはピンク：ブレーキ） ボタンを押します。

コントローラーカバーについて

ゲーム中に汗が直接コントローラーにかかるのを防ぎます。使用後は洗って清潔に保ってください。





① 液晶画面

② SELECT ボタン (速度単位の切り替えボタン)

目標設定の項目を次へ進めます。
2 秒間押し続けると、速度の表示単位を切り替えます。

③ + ボタン

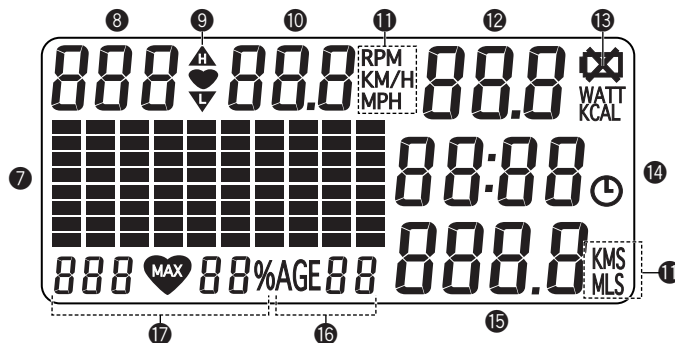
数値の増加や運動負荷レベルを上げる場合に使用します。

④ - ボタン (リセットボタン)

数値の減少や運動負荷レベルを下げる場合に使用します。
3 秒間押し続けると、心拍数限界、年齢を除くのすべてのデータをゼロに戻します。

⑤ PROGRAM ボタン

プログラムを切り替えます。



⑥ WATT / CALORIE ボタン

消費カロリーとワット数の切り替えを行います。

⑦ プロファイル

⑧ 心拍数 (PULSE)

入力時： 心拍数の上限値、下限値の入力設定を表示します。

トレーニング中：現在の心拍数を表示します。

⑨ 心拍マーク

- ♥ 心拍に同期して点灯します。
- ▲ 心拍数の上限値を表します。
- ▼ 心拍数の下限値を表します。

⑩ 速度 (SPEED)

トレーニング中：現在の速度を表示します。

⑪ データ単位マーク

表示している数字の単位を表します。

⑫ ワット数/消費カロリー (WATT / CALORIE)

入力時： 消費カロリーの入力設定を表示します。

トレーニング中：トレーニングを開始してからの消費カロリーもしくは、ワット数を表示します。

⑬ 電池交換マーク

電池の残量が少なくなったとき点灯します。

⑭ 時間 (TIME)

入力時： 目標運動時間の設定値を表示します。
トレーニング中：トレーニングを開始してからの経過時間を表示します。

⑮ 距離 (DISTANCE)

入力時： 目標距離の入力設定を表示します。
トレーニング中：トレーニングを開始してからの距離を表示します。

⑯ 年齢

⑰ プログラム (PROGRAM)

選択されているプログラムを表示します。

電池の装着

電池カバーを開き、単1電池4本を+-の向きを間違えないように入れてください。

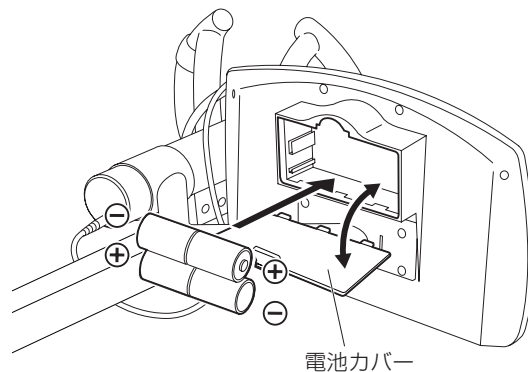
このときブザーが鳴り自動的にオールクリアがかかります。

注意 ブザーが鳴らない場合は電池の向きが正しく入っていない可能性があります。電池の向きを確認してもう一度入れ直してください。

電池の交換

電池の残量が少なくなると**⊠**マークが点灯します。**⊠**マークが点灯したら早めに電池を交換してください。

注意 新旧あるいは異種の電池を混ぜて使わないでください。



まず乗ってみましょう

GBF PRO リカレントに慣れていただくためにまずお乗りください。

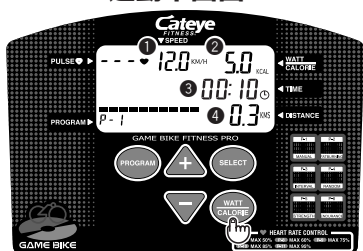
本機はプレイステーション2に接続していない状態でもフィットネス機としてご利用できます。

初期表示画面



電池を入れると、図のような初期表示通常画面が表示されます。ゆっくりとペダルをまわし始めてください。

運動中画面 1



この画面は刻一刻と変化するあなたの状態を表しています。

① トレーニング中の速度が表示されます。

参考 SPEEDの表示はペダル回転数(RPM)、速度(KM/H)、(MPH)に切り替えることができます。(57ページ「2. 目標距離の入力」を参照)

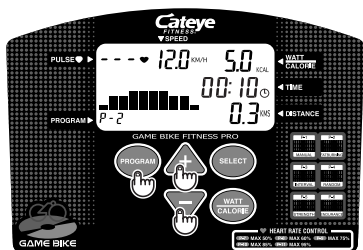
② 現在の消費カロリーが表示されます。

参考 WATT CALORIE ボタンでワット数に切り替えられます。

③ トレーニングを開始してからの経過時間です。

④ トレーニングを開始してからの走行距離です。

運動中画面 2



プログラムの変更

参考 PROGRAM ボタンを押すことでプログラムを変更することができます。

マニュアルモード (P-1) と5つの負荷パターンの異なるプログラムモード (P-2 ~ P-6) そして5つのHRコントロールモード (P-7 ~ P-11) があります。プログラムの詳細は70ページ「プログラムを選択します」を参照してください。

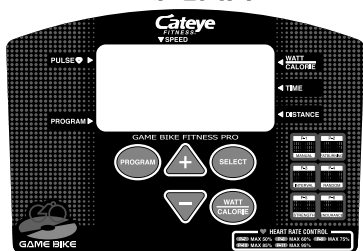
負荷レベルの増減

トレーニング中 **+** **-** ボタンを押すことで負荷レベルを変更します。

例えば **+** ボタン押してください。プロファイルのグラフが垂直に高くなりペダルが重くなるのがわかると思います。

参考 HRコントロールモードでは **+** **-** ボタンを押しても負荷レベルは変わりません。

節電画面



どの画面でも約3分間、無信号状態が続くと図のように無表示の節電画面になります。ペダルをまわすか、いずれかのボタンを押すことで節電前の画面に戻ります。

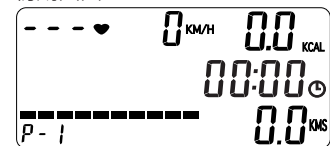
目標を設定してのトレーニング

運動時間、距離、消費カロリーなどの目標を設定して自分に合ったトレーニングを行うことができます。

それぞれの目標値に達した時点でブザーを鳴らせて知らせます。目標値に到達後はカウントアップに変わります。

重要 P7~P11のHRコントロールモードを利用するためにはオプションのチェストベルト心拍センサー（POLAR社製も使用可能）が必要です。

初期画面



- 参考**
- ・ (SELECT) ボタンを押すと設定画面になります。設定画面で (SELECT) ボタンを押すと設定目標値が順次、切り替って表示されます。
 - ・ 設定を終えるには約5秒間放置します。変更した内容で設定が完了します。

1. 目標時間の入力

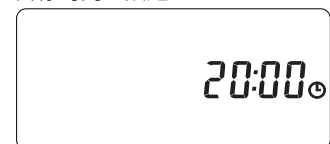
・ (SELECT) ボタンを押すと時刻「00:00」のみの表示に切り替わります。

参考 項目がひとつ表示される場合はその項目が現在選択されていることを表します。

・ 時間の入力は (+) ボタンまたは (-) ボタンを使用します。

(+) (-) ボタンを押すたびに時間は1分増加または減少します。(ボタンを押し続けることで早送りとなります)

目標時間の設定



2. 目標距離の入力

・ 目標時間を入力後、(SELECT) ボタンを押すと目標距離「0.0 KMS」が表示されます。

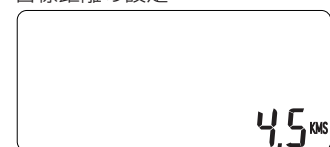
参考 距離の単位は (SELECT) ボタンを2秒間押し続けると速度単位が点滅します。

(+) (-) ボタンを押すことで、回転数 (RPM)、速度 (KM/H) あるいは (MLS) のどれかを選ぶことができます。このとき RPM あるいは KM/H を選択すると距離の単位はキロメートル (KMS) となります。MPH を選ぶとマイル (MLS) になります。

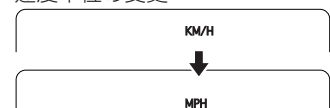
・ 距離の入力は (+) ボタンまたは (-) ボタンを使用します。

(+) (-) ボタンを押すたびに距離は0.5キロメートル (またはマイル)、増減します。(ボタンを押し続けることで早送りとなります)

目標距離の設定



速度単位の変更



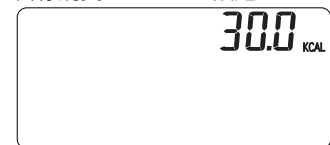
3. 目標消費カロリーの入力

・ 目標距離を入力後、(SELECT) ボタンを押すと消費カロリー「0.0 KCAL」が表示されます。

消費カロリーの入力は (+) ボタンまたは (-) ボタンを使用します。

(+) (-) ボタンを押すたびに消費カロリーが10キロカロリー増減します。

目標消費カロリーの設定



4. 心拍数の上限値と下限値の入力

警告 安全にトレーニングを行うために、上限値は必ず入力してください。

本機のHRコントロールモードでは最高心拍数を「220 - 年齢」としています。上限値はこれより低めに設定することをお勧めします。

・ 目標消費カロリーの入力後、(SELECT) ボタンを押すと、目標心拍数の上限値「0 ▲」が表示され、もう一度 (SELECT) ボタンを押すと、目標心拍数の下限値「0 ▼」が表示されます。

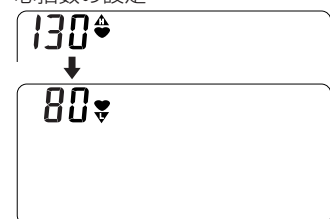
・ 上限値/下限値の入力は (+) ボタンまたは (-) ボタンを使用します。

(+) (-) ボタンを押すたびに、上限値/下限値が5心拍数増減します。

重要 この機能はチェストベルト心拍センサーを装着したときに働きます。

心拍数が設定した上限値と下限値範囲から外れると、警告音を発します。警告音は心拍が上下限範囲内に戻るまで鳴り続けます。

心拍数の設定



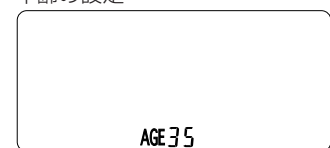
5. 年齢の入力

・ 心拍数の下限値を入力後、(SELECT) ボタンを押すと、年齢「AGE 30」が表示されます。

(+) ボタンまたは (-) ボタンを使用し、あなたの年齢を入力してください。

年齢の入力は HR コントロールモードで目標脈拍数を算出するベースとなります。

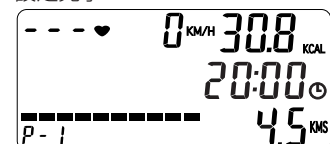
年齢の設定




・ 目標設定後は、お好みのプログラムモードに切り替えてトレーニングを行ってください。

詳しくは「プログラムを選択します」を参照してください。



設定完了



プログラムを選択します

トレーニング中、 ボタンを押すと、順次エクササイズプログラムを切り替えることができます。




1 マニュアル(P-1)

- ・  ボタンまたは  ボタンを押して負荷レベルを指定するもっとも一般的な使い方です。
- ・ 常に一定の負荷レベルでトレーニングを行えます。



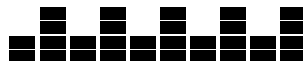
P-1 : マニュアル

2 プログラムモード(P-2 ~ P-6)

- ・  ボタンを押すたびに、ディスプレイは選択された負荷レベルの変化のプロファイルを表示します。
- ・  ボタンまたは  ボタンを押してこれらのプロファイルの負荷レベルを変えることができます。



P-2 : ファットバーニング



P-3 : インターバル




P-5 : ストレングス



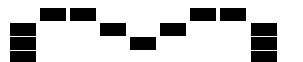
P-6 : エンデュランス

3 HR コントロールモード(P-7 ~ P-11)

重要 HRコントロールモードを利用するにはオプションのチェストベルト心拍センサーが必要です。(ポーラ社製チェストベルト心拍センサーにも対応します)

- ・ 最大心拍数から目標心拍数を求め、トレーニング中の心拍数がそれを保つように自動で負荷を増減させます。
- ・ 目標心拍数は年齢ごとの最大心拍数に対する負荷の割合がパーセンテージで表示されます。 ボタンを押すたびに、50%~95%までの5段階から選択できます。この時、ディスプレイにはハートマークが表示されています。
- ・ 年齢を設定することで自分に合った目標心拍数の中から強さを選んでトレーニングすることができます。

※ 最大心拍数は「220 - 年齢」で算出します。



- P-7 : 最大心拍数の 50%
- P-8 : 最大心拍数の 60%
- P-9 : 最大心拍数の 75%
- P-10 : 最大心拍数の 85%
- P-11 : 最大心拍数の 95%

日常点検

本製品の使用前には以下の日常点検を必ず行ってください。

シートクッションにガタつきはありませんか？

シートクッションを左右に動かして、ゆるみ、ガタつきがないか確認してください。

ゆるみ、ガタつきがある場合は、シートクッション A (座面側) およびシートクッション B (背面側) の取付ネジを 13 mm スパナを使って 19.6 N・m (200 kgf・cm) のトルクですっかりと締め付けます。

シートスライド調節レバー部のピンが確実に差し込まれていますか？

異常がある場合は、弊社もしくはお買い上げになった販売店にご相談ください。

ステアリングユニットはステアリングポストにしっかり固定されていますか？

ガタつきのある場合は、ステアリングユニット取付ネジ (4箇所) を L レンチを使って 19.6 N・m (200 kgf・cm) のトルクですっかり締め付けます。

シートハンドルにガタつきはありませんか？

シートハンドルを左右に動かして、ゆるみ、ガタつきがないか確認してください。

ゆるみ、ガタつきがある場合は、シートハンドル取付ネジ (2箇所) を L レンチを使って 19.6 N・m (200 kgf・cm) のトルクですっかり締め付けます。

ペダルはクランクにしっかり固定されていますか？

ガタつきのある場合は、ペダルをしっかりと締め付けてください。

本体に左右前後のガタつきはありませんか？

本体がぐらつく場合、前脚、後脚の脚パイプ取り付けナット (各 2 箇所) をしっかりと締め付け、本体が水平に保つよう後脚パイプのレベルアジャスター (2 箇所) を回して調節してください。

本体フレームや各部品に亀裂 (ひび割れ) などの異常はありませんか？

異常がある場合は、弊社もしくはお買い上げになった販売店にご相談ください。

トラブルと処理

次の場合は故障ではありません。修理を依頼される前に一度ご確認ください。

まずゲームをリセットし、症状が改善されていないかを確認します。

トラブル	チェック項目	対策
ステアリング操作に対して、ゲームのステアリングの応答が鈍い。	ステアリング感度の調整は正しいですか？	「コントローラーの調節方法」を参照してステアリング感度を大きくしてください。
ステアリング操作に対して、ゲームのステアリングの応答が大きすぎる。	ステアリング感度の調整は正しいですか？	「コントローラーの調節方法」を参照してステアリング感度を小さくしてください。
ペダリングの速さに対して、ゲームのスピードが遅い。	アクセル感度の調整をしましたか？	「コントローラーの調節方法」を参照してアクセル感度をスピードアップしてください。
ペダリングの速さに対して、ゲームのスピードが速すぎる。	アクセル感度の調整をしましたか？	「コントローラーの調節方法」を参照してアクセル感度をスピードダウンしてください。
ペダリングしてもゲーム速度が出ない。	スピードセンサーのコードは正しく接続されていますか？	コントローラーのブルーのジャックをしっかりと差し込んでください。
ブレーキが利かない。	ブレーキボタンを押していますか？	ゲーム上のブレーキ操作はブレーキボタンを押すことでかかります。
	ブレーキボタンのコードは正しく接続されていますか？	コントローラーの中央のジャックにしっかりと差し込んでください。
ステアリング操作が利かない。	本体のコードは正しく接続されていますか？	本体のグレーのコードをジャックにしっかりと差し込んでください。
	ボタンの割当てが特殊なゲームソフトを使用していませんか？	ゲームによっては一般的なボタン操作と異なる場合があります。「ボタン機能の変更」を参照し、ボタンが正しく機能するように変更してください。
	本体のコードが正しく接続され、ボタンの割当てが正しくてもステアリング操作が利かない場合は、本体のボリュームが破損しています。	サービスセンターへご相談ください。
ペダルを回すとカタカタ音がる。	ペダルがクランクにしっかりと固定されていますか？	ペダルをしっかりと締めつけてください。
コンソールにまったく表示がでない。	コンソールの電池が消耗していませんか？	新しい電池（単1乾電池）と交換してください。
	電池は正しく装着されていますか？（＋の向きは間違っていないか）	電池を正しい向きで装着し直してください。
コンソールのボタンを押しても反応しない。	<input checked="" type="checkbox"/> マークが点灯していませんか？	新しい電池（単1乾電池）と交換してください。
	電池は正しく装着されていますか？（＋の向きは間違っていないか）	電池を正しい向きで装着し直してください。
ペダリングしても時間、速度、距離、消費カロリーが表示されない。 負荷レベルを上げててもペダルに負荷がかからない。	ステアリングポストから伸びるケーブルコネクタはコンソールに正しく差し込まれていますか？	ケーブルコネクタはしっかりと奥まで差し込んでください。
	スピードセンサーのコードは正しく接続されていますか？	コントローラーのブルーのジャックをしっかりと差し込んでください。
	<input checked="" type="checkbox"/> マークが点灯していませんか？	新しい電池（単1乾電池）と交換してください。
心拍数が表示されない。	チェストベルトは正しく装着されていますか？	チェストベルトを正しく装着してください。
	コンソールとチェストベルトの距離が100 cm以上離れていませんか？	コンソールとチェストベルトの距離は100 cm以内になるようにしてください。
	チェストベルトの電池が消耗していませんか？	新しい電池と交換してください。
	<input checked="" type="checkbox"/> マークが点灯していませんか？	新しい電池（単1乾電池）と交換してください。
異常に低い心拍数が表示される。	チェストベルトの電池が消耗していませんか？	新しい電池と交換してください。
	<input checked="" type="checkbox"/> マークが点灯していませんか？	新しい電池（単1乾電池）と交換してください。
異常に高い心拍数が表示される。	電磁波等を発生するものが近くにありませんか？	原因と思われるものを本器から遠ざけてください。

製品仕様

本体仕様

使用用途	業務用ゲームコントローラー	
対応ゲーム機	SONY Playstation/Playstation2	
電源/電池寿命	単1(UM-1) × 4 / 約4ヵ月 (アルカリ電池を使用し1日約6時間使用した場合)	
表示機能	機能	有効表示範囲
	運動時間	0:00 ~ 99:59
	走行速度	0.0 ~ 99.9 km/h (Mile/h)
	走行距離	0.0 ~ 99.9 km (Mile)
	心拍数	30 ~ 240 bpm
	消費カロリー	0.0 ~ 999 kcal
	ワット数	0 ~ 999 watt
心拍測定方法	無線式心拍センサー受信基板内臓:「チェストベルト心拍センサー」により受信可能 (POLAR 社製対応)	
使用温度範囲	0℃ ~ 40℃	
保存温度範囲	-10℃ ~ 60℃	
最大回転角	±50°	
寸法/重量	適応身長 (参考)	130 ~ 190 cm
	使用体重制限	120 kg
	サイズ (全長×全高×前幅)	1620 mm x 1270 mm x 610 mm
	シート調節範囲	540 ~ 1010 mm (14段階調節)
	重量	48.0 kg

※電池寿命はあくまで目安であり、使用条件によって異なる場合もあります。
 ※付属の電池はマンガン電池のため、上記の電池寿命よりも短くなります。

コントローラー仕様

対応ゲーム機	SONY Playstation/Playstation2
サイズ (幅×高さ×奥行き)	160 × 71 × 115 mm
重量	300 g
動作温度	使用ゲーム機に準ずる

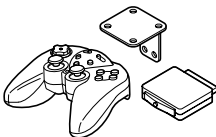
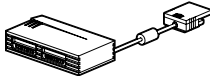
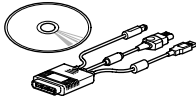
本機はPlaystationでも使用することができます。Playstationで使用の際は、アナログ対応ソフトでアナログモードスイッチを押してLEDが点灯している状態でお使いください。アナログ未対応ソフトでは使用できません。

※仕様および外観は改良のため予告なく変更する場合があります。

補修部品

		
#784-0001 コントローラー	#784-0010 コントローラー カバー	#784-0040 接続ケーブル
		
		#784-0020 プレーキボタン

オプション部品

		
#784-0002 ワイヤレス コントローラー	#7041-390 マルチタップ	#7041-380 コントローラーアダプ ター (GAMECUBE・ Xbox・PC対応)

保証修理サービスについて

保証対象: GBF Pro リカベン特本体とコントローラー

通常の使用状態において材質及び製造の欠陥により万一故障した時は、別紙保証書記載の内容で、無償で商品・装置の修理交換致します。修理保証サービスが必要になられた際には、お買い上げになった販売店にご相談ください。

株式会社 キャットアイ 製品サービス課

〒546-0041 大阪市東住吉区桑津2丁目8番25号
 TEL: 06-6719-7781
 FAX: 06-6719-2362
 Eメールアドレス: sales@cateye.co.jp
 ホームページ: http://www.cateye.co.jp

お客様お控え欄



Copyright© 2005
 CATEYE Co., Ltd.
 GB3RME-051121
 0666701501



記載されている会社名、製品名、サービス名は各社の商標および登録商標です。
 本機は全てのゲームソフトで動作確認を行ったわけではありません。問題がありましたら弊社までお知らせください。

Free Manuals Download Website

<http://myh66.com>

<http://usermanuals.us>

<http://www.somanuals.com>

<http://www.4manuals.cc>

<http://www.manual-lib.com>

<http://www.404manual.com>

<http://www.luxmanual.com>

<http://aubethermostatmanual.com>

Golf course search by state

<http://golfingnear.com>

Email search by domain

<http://emailbydomain.com>

Auto manuals search

<http://auto.somanuals.com>

TV manuals search

<http://tv.somanuals.com>