



E

CAT EYE®

Halogen Rechargeable Head Lamp Daylites II [Solo/Twin]

HL-RC220(Solo)/HL-RC230(Twin)

Instruction Manual

Design Pat. Pending
Copyright© 2000 CAT EYE Co., Ltd.
HLMRC22/23-011120 066640001 4



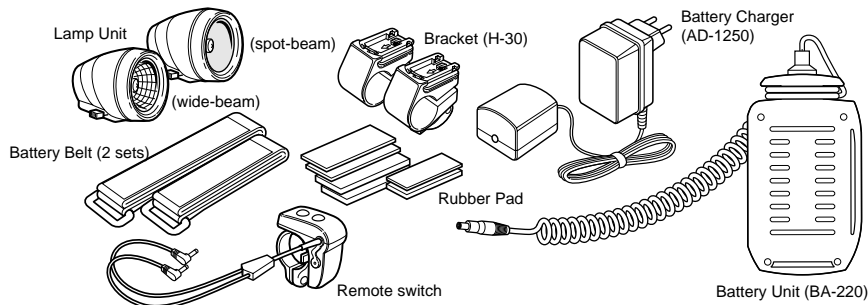
READ ALL INSTRUCTIONS BEFORE FIRST USE

Thank you for purchasing the CAT EYE Daylites II rechargeable head lamp. Before first use, thoroughly familiarize yourself with this manual so that you understand the lamp's safe and correct operation. Please keep this manual for future reference.

NAMES

Please make sure that all the following parts are in the package.

* The package for Solo includes each 1 set of lamp unit(Spot Bulb), bracket, rubber pad; and the cord of the remote switch is single (not furcated).



FOR SAFE OPERATION (IMPORTANT)

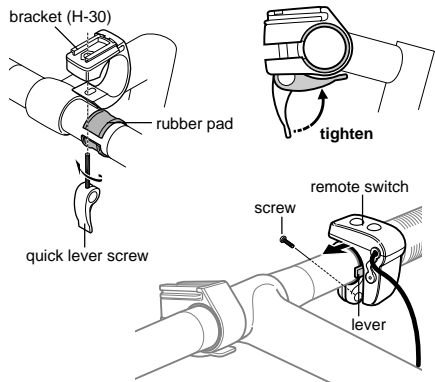


WARNING!!
Important Note

- Never short-circuit the terminal of the battery and the plug of the battery charger. It may cause the battery to overheat, resulting in fire or damage of the components.
- Securely connect the plug so that the light will not turn off while riding, or the cord will not hinder riding.
- If the cord of the battery charger, the battery cord or battery unit is damaged, it must only be replaced by the shop where this lamp kit was purchased, because special purpose tools are required.
- The lamp unit becomes hot when turned on. Never touch the lamp unit or lens until thoroughly cooled. Injury may result.
- Use only the included battery charger for charging.
- Safely and properly dispose of the old battery according to your local regulations when it comes to the end of its useful life.
- This lamp kit is not intended for use by young children or infirm persons without supervision; young children should be supervised to ensure that they do not play with this appliance.
- Take precautions against a sudden battery run-out. Carry a spare light or spare batteries

BEFORE FIRST USE:

Before first use, charge the battery fully following the instructions on [HOW TO CHARGE]. Before every use, charge the battery fully following the instructions on [HOW TO CHARGE]. When the battery kit is not in use for a long period, the lamp's operation time will be shortened due to the self-discharge of the sealed-lead-acid battery.



HOW TO ATTACH THE BRACKET

[Use two brackets for Twin.]

1. Attach the bracket (H-30) to the handlebar using the appropriate rubber pads provided.
2. Turn the quick lever (keeping it upright). Fix the bracket securely by pulling up the lever. To loosen the bracket, pull down the quick lever. Before use, adjust the angle of the beam and the position of the lamp unit, according to the instruction of "How to Adjust Angle of Beam" in "HOW TO USE".

HOW TO ATTACH THE REMOTE SWITCH

Attach the remote switch onto the handlebar where it will not hinder the braking and shifting operation. Attach the remote switch using the appropriate rubber pads provided.

Note: To remove the remote switch, slide it to the left while pushing the lever.

HOW TO MOUNT

Before connecting the cords, mount the battery unit and lamp unit onto the right places.

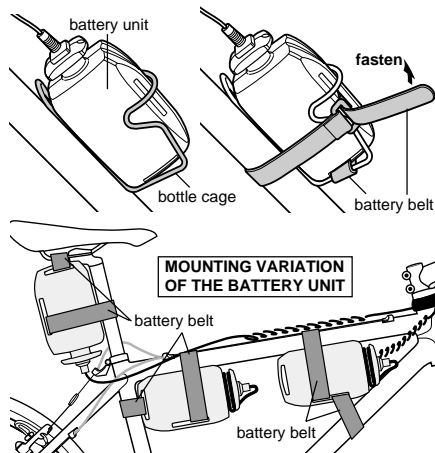
Installing the Battery Unit

Insert the battery unit into your bottle cage. Secure it with the battery belts.

Note: The battery unit might jump out of the bottle cage during ride. Be sure that it is tightly and firmly fixed.

Note: The battery unit may not fit all kinds of bottle cages.

The battery unit also can be attached under the top tube or along the seat post using the battery belt. (See "MOUNTING VARIATION OF THE BATTERY UNIT")

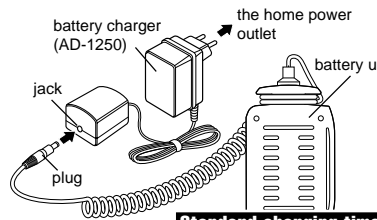
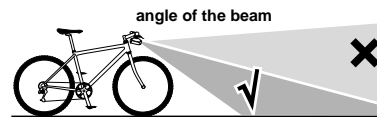
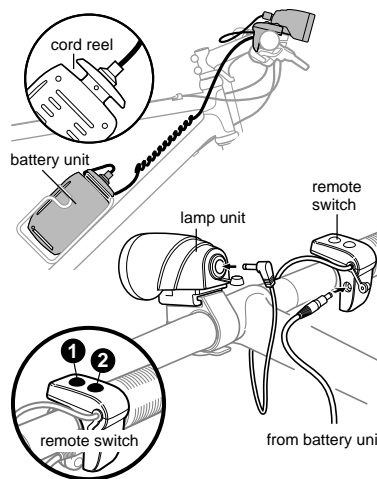
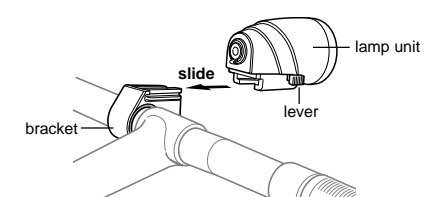


MOUNTING VARIATION OF THE BATTERY UNIT

Mounting the Lamp Unit

Warning! Never touch the lamp body until it is thoroughly cooled. You may get burnt.

- To mount the lamp body, slide it backward onto the bracket until it clicks into position.
- To remove the lamp body, slide it forward while pushing the lever.



IMPORTANT

Precautions on sealed-lead-acid battery

- If the light is kept on until the power is completely gone, the performance of the battery is lowered due to the overdischarge of the sealed-lead-acid battery. When the light gets dim, turn off the lamp immediately and charge the battery.
- A long period of non-use will lower the voltage of the battery due to natural self-discharge. If the light is kept on until the power is completely

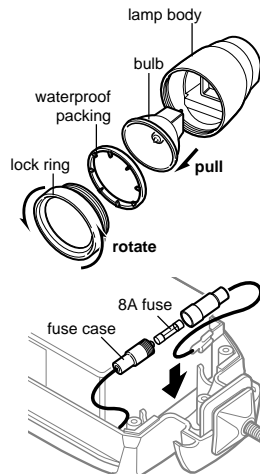
gone (which is called "overdischarge"), it may shorten the battery life. Even when you do not use the lamp kit, charge the battery every few months.

- Do not charge the battery for more than 10 hours.
- If the lamp set does not serve the proper running time even though the battery is fully charged, the battery may have reached the end of its useful life. Replace it with a new battery unit (BA-220).

HOW TO REPLACE THE BULB

When replacing the bulb, be sure that the bulb and the lamp body have cooled.
Use only the CAT EYE 6V-10W Halogen Bulb (product code #534-0580/534-0581).

1. Remove the lock ring by turning it counterclockwise.
2. Remove the bulb and replace with a new one.
Note: Do not rotate the bulb but pull it straight out.
3. Tighten the lock ring securely while being careful of the waterproof packing.

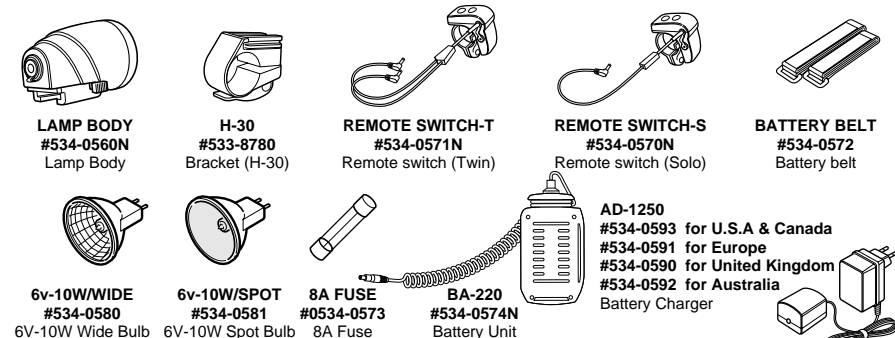


HOW TO REPLACE THE FUSE

A fuse will cut the circuit when malfunction occurs. Remove the malfunction.
Note: If the fuse continues to burn, call the appropriate service center for assistance.

1. Loosen the screws of the battery unit and carefully open the battery case.
2. Open the fuse case inside. Replace the fuse (8A) with a new one.
Note: Do not pull the cord inside of the battery forcibly.
Note: Do not short-circuit the terminal of the battery.

SPARE PARTS



SPECIFICATIONS

Bulb:	6V-10W Halogen Bulb
Battery:	BA-220
Charger:	Sealed-Lead-Acid Battery 6V 4.2AH CAT EYE Battery Charger AD-1250
Operation Time:	Solo 10W (HI): approx. 2 hours 5W (LOW): approx. 3 hours Twin 10W+10W approx. 1 hour 10W approx. 2 hours
Charging Time:	8 to 10 hours
Temperature Range:	Charging: 0°C - 30°C Operating: -15°C - 45°C
Recharge/Discharge Number of Times:	at least 150 times (until rated capacity drops to 50%)

* The specifications and design are subject to change without notice.

Connecting Cord

Connect the jack of the remote switch and the plug of the battery unit. Then connect the plug of the remote switch and lamp unit. Wind the cord round the frame so that it will not hinder riding.

Note: In case of Twin, there are two kinds of beams – wide and spot.

Note: Securely connect the jack to the plug.

HOW TO USE

ON/OFF

The remote switch controls the operation of the lamp unit.

- Twin (HL-RC230) ----- Button ①: on/off of lamp1
Button ②: on/off of lamp2
- Solo (HL-RC220) ----- Button ①: 10W(HI)/5W(LOW)
Button ②: on/off

Note: 5-watt beam is produced by adjusting the voltage of 10 watt output.

How to Adjust Angle of Beam

Adjust the angle of the beam downward (as shown in the figure √). The light is also adjusted 10° horizontally. (To adjust the angle, pull down the quick lever)

HOW TO CHARGE

Use only the provided battery charger. The charger is only for indoor use.

1. Unplug the battery unit.
2. Connect the plug of the battery unit with the battery charger (AD-1250). Plug the battery charger with the home power outlet.

* Standard charging time is 8 to 10 hours. (Depending on the capacity of the battery, the charging time will vary.) Be careful not to charge it for more than 10 hours. Over-charge will damage the battery.

Note: The charging time and the operation time may vary depending on the use environment.

Free Manuals Download Website

<http://myh66.com>

<http://usermanuals.us>

<http://www.somanuals.com>

<http://www.4manuals.cc>

<http://www.manual-lib.com>

<http://www.404manual.com>

<http://www.luxmanual.com>

<http://aubethermostatmanual.com>

Golf course search by state

<http://golfingnear.com>

Email search by domain

<http://emailbydomain.com>

Auto manuals search

<http://auto.somanuals.com>

TV manuals search

<http://tv.somanuals.com>