



## ***80ED Spotting Scope (#52280)***

---

# ***INSTRUCTION MANUAL***

---

## INTRODUCTION

---

A spotting scope is nothing more than a telescope that is designed to look around the Earth. Unlike astronomical telescopes, which produce inverted or reverted images, spotting scopes produce correctly oriented images. Celestron offers several different models, each of which uses the highest quality optics to produce the best possible images.

---

### How to Use this Manual

This manual explains the proper use of your Celestron spotting scope —from initial set up to on-going use. This manual is broken down into several sections. The first covers attaching your spotting scope to a stable platform, like a photographic tripod, so that the standard accessories can be attached. The second section is on using your spotting scope. Topics include how to attach the standard accessories, how to locate objects, etc. The last sections deal with general information. Topics include visual and photographic observing hints, astronomical uses for your spotting scope, and maintenance information. Before you attempt to use your spotting scope, read this manual carefully.

---

### A Word of Caution!

Your Celestron spotting scope is designed to give you hours of fun and rewarding observations. There are, however, a few things to consider before using your spotting scope that will ensure your safety and protect your equipment.

- Never look directly at the Sun with the naked eye or with your spotting scope. Permanent and irreversible eye damage may result.
- Never use your spotting scope to project an image of the Sun onto any surface. Internal heat build-up can damage your spotting scope and/or any accessories attached to it.
- Never use an eyepiece solar filter or a Herschel wedge. Internal heat build-up inside your spotting scope can cause these devices to crack or break, allowing unfiltered sunlight to pass through to the eye.
- Never leave your spotting scope unsupervised, either when children are present or adults who may not be familiar with the correct operating procedures of your spotting scope.
- Never point your spotting scope at the Sun unless you have the proper solar filter. When using your spotting scope with the proper solar filter, ALWAYS cover the finderscope. Although small in aperture, this instrument has enough light gathering power to possibly cause permanent and irreversible eye damage. In addition, the image projected by the finder is hot enough to burn skin and clothing.

---

## GETTING STARTED

---

The high magnification of your spotting scope makes it very difficult to handhold and, as a result, it must be attached to a stable platform. The 80ED has a tripod adapter, which is located on the bottom of the spotting scope's tube ring. Remove your spotting scope from the box and attach it to a mount as described below.

---

### ***Photographic Tripod***

For best results, attach your Celestron spotting scope to a heavy duty photo tripod with a quick release platform. To attach your spotting scope to the tripod:

1. Place the tripod adapter located on the bottom of the tube ring clamp, over the 1/4x20 screw on the photo tripod quick release platform. Keep in mind that the platform is not on the tripod at this time. Tighten the screw (located on the under side of the platform) until tight. Just in front of the 1/4x20 screw is usually a small peg used to secure video cameras to the tripod. If you are not using a video camera, this peg, which is spring-loaded, will push down into the tripod head.
2. Rotate the platform lock clockwise. Slide the front of the platform in first, then pivot the back in.
3. Push the platform lock counterclockwise until it touches the under side of the tripod head. This will hold the platform in place.

Once mounted on the tripod, you are ready to attach the standard accessories.

---

### ***Equatorial Mount***

Your 80ED has a dovetail bracket on the bottom of the tube ring clamp that allows it to be used with the Advanced GT CG-5 equatorial mount. Follow the directions in your mounts owner manual for instruction on attaching the optical tube.

---

### ***What next?***

With your spotting scope firmly attached to a stable platform, you are ready to attach the standard accessories and begin using your spotting scope.

---

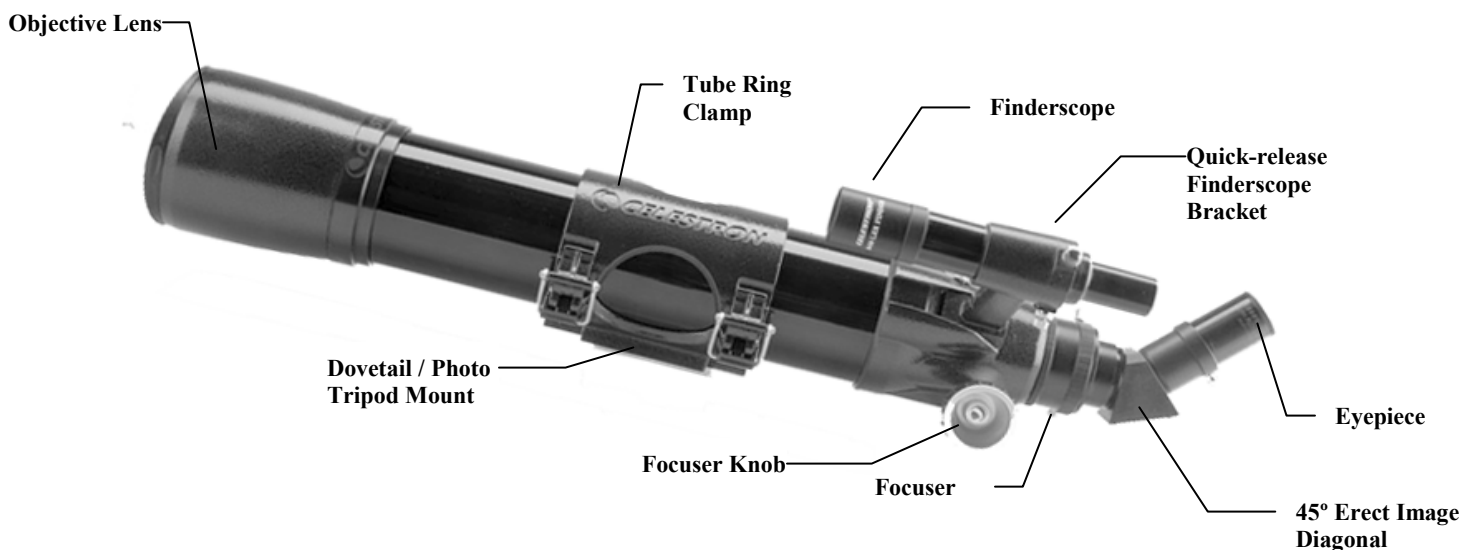
## Spotting Scope Setup

---

This section covers the correct set up and operating procedures for your Celestron 80mm ED spotting scope and includes information on visual and photographic observations. The spotting scope uses a refractor optical design with a two-element lens made of low dispersion optical glass. Unlike other spotting scopes which have built-in correcting prisms, the 80ED uses a diagonal to produce a correctly oriented image. This allows you to use your spotting scope like a conventional telephoto when a camera is attached. The basic Celestron 80ED comes standard with the following accessories:

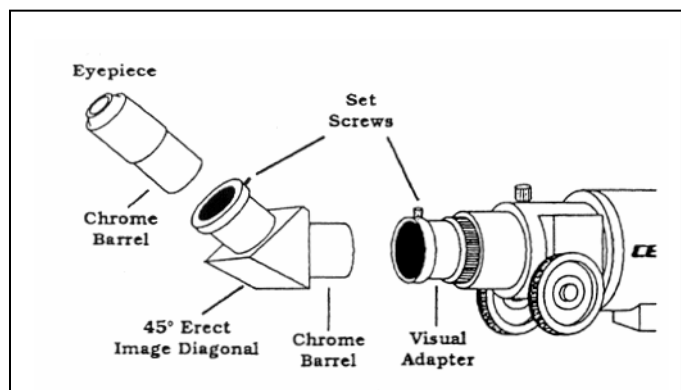
<b>80ED Spotting Scope</b>
25mm Plossl Eyepiece 1 1/4" (24x)
45° Erect Image Diagonal – 1 1/4"
6x30 Erect Image Finderscope
Lens Caps
1/4 x 20 Dovetail Mounting Adapter

Take a few minutes to study the diagram below to help familiarize yourself with the various parts of your spotting scope for set up and ongoing use.



With your spotting scope attached to a sturdy mount, as described earlier in this manual, you are ready to attach the standard accessories. To do this:

1. Remove the protective covers from the focuser of the spotting scope, the 45° Erect Image Diagonal, and the eyepiece.
2. Loosen the thumbscrew on the focuser of the spotting scope so that the opening (i.e., inner diameter) is unobstructed.
3. Slide the chrome barrel of the 45° Erect Image Diagonal into the focuser barrel.
4. Tighten the thumbscrew on the focuser to hold it in place.
5. Loosen the thumbscrew on the eyepiece holder of the 45° Erect Image Diagonal. Make sure that it does not block the inner diameter of the eyepiece holder.



**Figure 2**

6. Insert the chrome barrel of the eyepiece into the 45° Erect Image Diagonal.
7. Tighten the thumbscrew on the 45° Erect Image Diagonal to hold the eyepiece in place.

## Attaching The Finderscope

Your spotting scope comes with a 6x30mm erect image finderscope to help you locate distant objects that might be difficult to find in the narrow field of view of the main spotting scope.

1. Attach the finderscope and bracket by sliding the rubber O-ring over the eyepiece lens (narrow) end of the finderscope and roll it 1/3 of the way up the finderscope body. Then insert the eyepiece lens end of the finder through the rings in the bracket until the O-ring presses tightly between the finderscope and the inside of the bracket. Tighten the two adjustment screws until they make contact with the finderscope body.
2. Slide the finder bracket (attached to the finderscope) into the mounting bracket on the spotting scope. Tighten the thumb screw on the mounting bracket to hold the finderscope in place. See figure 3

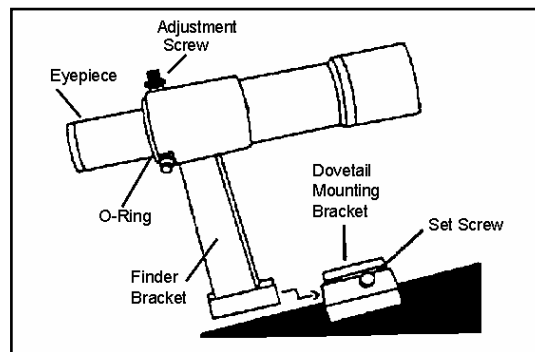


Figure 3

---

## Aligning the Finderscope

The 6x30mm finder is adjusted using two adjustment screws, located on the top and on the right (when looking through the finder) of the finder bracket and a spring loaded pivot screw (located on the left side of the bracket). This allows you to turn the top adjustment screw to move the finderscope up and down, and turn the right adjustment screw to move the finderscope right to left. The spring loaded pivot screw puts constant pressure on the finder so that the adjustment screws are always making contact with the finder.

To align the finderscope:

1. Choose a target in excess of one mile away. This will eliminate any possible parallax effect.
2. Point the spotting scope at your target and center it in the eyepiece of the spotting scope.
3. Adjust the screws on the finder bracket until the cross hairs in the finder are centered on the target.

4. Tighten each screw a quarter turn so the finder does not come loose.

---

## Using Your Spotting Scope Visually

With the standard accessories attached, you are ready for your first look.

1. Point the front end of the spotting scope at a distant object.
2. Locate the object in the finderscope.
3. Look through the spotting scope and turn the focus knobs until objects come to a sharp focus.
4. Center your target using the slow motion controls of the tripod.

Repeat this process for each object you observe.

---

## Focusing

For objects closer than the one you are currently observing, turn the focus knobs towards the eyepiece and for objects further away, turn the focus knobs away from the eyepiece.

---

## Changing Eyepieces

You can vary the power of your spotting scope simply by changing eyepieces. To change eyepieces:

1. Loosen the thumbscrew on the 45° Erect Image Diagonal.
2. Remove the eyepiece currently in the spotting scope.
3. Insert a new eyepiece into the 45° Erect Image Diagonal.
4. Tighten the thumbscrew on the 45° Erect Image Diagonal to hold the eyepiece in place.

With the new eyepiece in place you will need to refocus your spotting scope (unless the eyepieces have the same focus point, something known as being parfocal). Once again, turn the focusing knob until the image is sharp.

Celestron offers a wide variety of eyepieces as optional accessories. To determine the magnification of each eyepiece used with your spotting scope, see the section “Calculating Magnification” at the end of this manual.

In addition to eyepieces, you may also use a Barlow lens to increase magnification. A Barlow lens is a negative lens that increases the focal length of a spotting scope. Used with an eyepiece it increases the magnification. The amount of the increase depends on the lens itself and its position in the optical system. Celestron offers Barlow lenses for 1-1/4” eyepieces.

---

## Using Your Spotting Scope Photographically

Your Spotting Scope can be used photographically as well as visually. To turn your spotting scope into a telephoto lens all you need is a T-Ring for your particular camera make (i.e., Nikon, Minolta, Pentax, etc.). The T-Ring replaces the 35mm SLR camera’s normal lens.

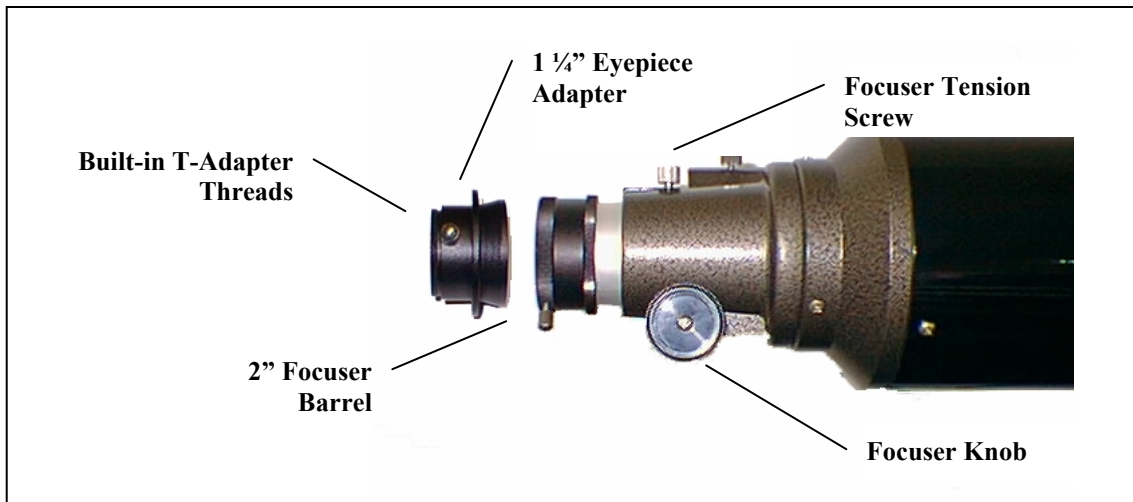


Figure 4

---

## Attaching a Camera

To attach a camera to your 80ED spotter:

1. Remove all visual accessories.
2. Thread the proper T-Ring onto the built-in T-Adapter threads at the end of the 1.25" eyepiece adapter.
3. Mount your camera body onto the T-Ring the same as you would any other lens.

---

## Focusing The Camera

The focusing mechanism is the same photographically and visually. However, due to the high magnification, the micro prism focuser in your camera may "black out." If this is the case, you will have to use the ground glass portion of your focusing screen, which itself may be dark. For the best results, take your time. Look at your subject carefully to make sure that you have the sharpest possible focus. To achieve a very sharp focus, consider using a focusing magnifier. These devices are readily available from your local camera store.

If you can not get a sharp focus, check to see if your subject is closer than the near focus distance listed in the "Technical Specification" section.

---

## Storing Your Spotting Scope

To minimize the need to clean your spotting scope, replace all lens covers after use. The spotting scope can be left on a tripod for display purposes or returned to its shipping carton. Since the rear cell of your spotting scope is not sealed, the eyepiece or protective cover **MUST** be placed over the opening in the rear cell when not in use. This will prevent contaminants from entering the optical system.

---

## Technical Specifications

Below is pertinent technical information on your 80ED spotting scope that you may find useful.

	<b>80ED</b>
Optical System	Refractor
Aperture:	80mm (3.15")
Focal Length:	600mm (23.5")
Near Focus: with included eyepiece	~20'
Useful Power Range:	12x to 189x
Linear Field of View:	116' with 25mm Eyepiece
Angular Field of View:	2.2° with 25mm Eyepiece
F/ratio:	f/7.5
Length:	22"
Weight:	7.5 lbs

**Note:** All specifications are stated for the 80ED spotting scope using the standard accessories. These specifications are approximate and may change without notice.



---

## VISUAL OBSERVING INFORMATION

---

### Focusing

When working with any optical instrument, there are several focusing hints that will ensure that you get the sharpest possible image. The hints listed here are for visual observing and photography.

Never look through glass. Glass found in household windows is optically imperfect and may vary in thickness from one location to the next. This inconsistency can and will affect the ability to focus your spotting scope. In most cases, you will not be able to achieve a truly sharp focus. In some cases, you may actually see a double image.

Avoid looking across or over objects that are producing heat waves. This includes asphalt parking lots on hot summer days or building rooftops. The turbulent air caused by these conditions makes it impossible to get a truly sharp focus.

Avoid hazy skies, fog, and mist, all of which can make it difficult to focus, thus greatly reducing the amount of detail seen. Remember that no matter how good the optics of your instrument are, they can NOT perform to their fullest under adverse conditions.

---

### Calculating Magnification (Power)

You can change the magnification of your spotting scope simply by changing the eyepiece (also called an ocular). To determine the magnification with your spotting scope, simply divide the focal length of your spotting scope by the focal length of the eyepiece. In equation format, the formula looks like this:

$$\text{Magnification} = \frac{\text{Focal Length of Spotting Scope (mm)}}{\text{Focal Length of Eyepiece (mm)}}$$

For example, to determine the magnification of the 80ED with a 25mm eyepiece, divide the focal length of the spotting scope (600mm) by the focal length of the eyepiece (25mm). 600 divided by 25 yields 24 power.

Although the power is variable, each instrument has a limit to the highest useful magnification. The general rule is that 60 power can be used for every inch of aperture. For example, in a 3.2" diameter spotting scope, such as the 80ED, the maximum useful magnification is 192 power. This is derived from multiplying 60 times 3.2". Although this is the maximum useful magnification, most observing is done in the range of 20 to 35 power for every inch of aperture which for the 80ED is 64 to 112.

---

## Field of View

Determining the field of view is important if you want to get an idea of the size of the object you are observing. To calculate the actual field of view, divide the apparent field of the eyepiece (supplied by the eyepiece manufacturer) by the magnification. In equation format, the formula looks like this:

$$\text{True Field (in degrees)} = \frac{\text{Apparent Field of Eyepiece (in degrees)}}{\text{Magnification}}$$

Using the example we started with in the previous section, we can determine the field of view using the same 25mm eyepiece. The 25mm eyepiece has an apparent field of view of 52°. Divide the 52° by the magnification, which is 24 power. This yields an actual field of 2.2°. To convert this to feet at one thousand yards, multiply the actual field of 2.2° by 52.5. This gives us a field width of 116 feet at one thousand yards.

---

## PHOTOGRAPHY HINTS

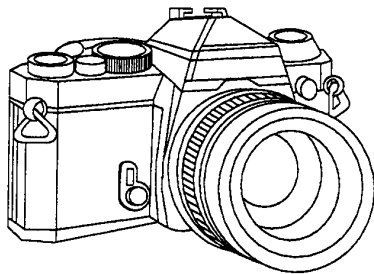
---

### Metering

Celestron spotting scopes have fixed apertures and, as a result, fixed f/ratios. To properly expose your subjects photographically, you need to set your shutter speed accordingly. Most 35mm SLR cameras offer through-the-lens metering which lets you know if your picture is under or overexposed. Adjustments for proper exposures are made by changing the shutter speed. Consult your camera manual for specific information on metering and changing shutter speeds.

---

### Reducing Vibration



Releasing the shutter manually can cause vibrations, producing blurred photos. To reduce vibration when tripping the shutter, use a cable release. A cable release keeps your hands clear of the camera and lens, thus eliminating the possibility of introducing vibration. Mechanical shutter releases can be used, though air-type releases are best.

Blurry pictures can also result from shutter speeds that are too slow. To prevent this, use films that produce shutter speeds greater than 1/250 of a second when hand-holding the lens. If the lens is mounted on a tripod, the exposure length is virtually unlimited.

Another way to reduce vibration is with the Vibration Suppression Pads (#93503). These pads rest between the ground and tripod feet. They reduce the vibration amplitude and vibration time.

---

## **ASTRONOMY WITH YOUR SPOTTING SCOPE**

---

A spotting scope is nothing more than a telescope that produces correctly oriented images. That is why all Celestron telescopes and spotting scopes are so well-suited for looking around the Earth. But this in no way limits a spotting scope to terrestrial use. On the contrary, the 80ED spotting scope works well as an astronomical telescope for observing the sky.

---

### **Observing the Moon**

In the night sky, the Moon is a prime target for your first look because it is extremely bright and easy to find. Often, it is tempting to look at the Moon when it is full. At this time, the face we see is fully illuminated and its light is overpowering. In addition, little or no contrast can be seen at this time.

One of the best times to observe the Moon is during its partial phases (around the time of first or third quarter). Long shadows reveal a wealth of detail on the lunar surface. At low power you can see the entire lunar disk at one time. Change to higher power (magnification) to focus in on a smaller area.

Keep in mind that since you are not using a clock drive, the Earth's rotation causes the Moon to drift out of your field of view. This effect is more noticeable at high power. You must manually adjust your tripod to keep the Moon centered. Consult your local newspaper or a current astronomy magazine to find out when the Moon is visible.

---

### **Observing the Planets**

This same method used to observe the Moon applies to viewing the planets. You can see Venus go through its lunar-like phases. Mars reveals a host of surface detail and one, if not both, of its polar caps. You will be able to see the cloud belts of Jupiter and the great Red Spot (if it is visible at the time you are observing). In addition, you will also be able to see the moons of Jupiter as they orbit this gas giant. Saturn, with its beautiful ring system, is easily visible at moderate power. All you need to know is when and where to look. Most astronomy publications tell where the planets can be found in the sky each month.

---

### **Observing Deep Sky Objects**

Deep sky objects are simply those objects outside the boundaries of our solar system. They include star clusters, planetary nebulae, diffuse nebulae, double stars, and other galaxies outside our own Milky Way. Because your spotting scope is not set up for serious astronomical observing, you will need to know where to look in the sky for these objects. The Celestron Sky Maps (#93722) will help you locate the brightest deep sky objects.

Once you start observing deep sky objects, there are a few things to remember. First, most deep sky objects have a large angular size. Therefore, low to moderate power is all you need to see them. Second, visually they are too faint to reveal any color that is common to photographs. Instead, they have a black and white appearance. And lastly, because of their low surface brightness, they should be observed from a dark sky location. Light pollution around large urban areas washes out most nebulae making them difficult, if not impossible, to see. An LPR (Light Pollution Reduction) Filter (#94126A) is available for use with 1 1/4" eyepieces to allow urban use of the 80ED for looking at nebulae.

---

## **Photographing the Moon**

After looking at the night sky for awhile you may want to try photographing it. If you do, start with a nice, bright object like the Moon. To photograph the Moon:

1. Attach your spotting scope to a stable platform like the Celestron Photographic Tripod (#93596).
2. Load your camera with film that has a moderate-to-fast speed (i.e., high ISO rating). Faster films are more desirable when the Moon is a crescent. When the Moon is full, and at its brightest, slower films are more desirable. If photographing during the full phase, use a yellow filter to reduce the light intensity and to increase contrast.
3. Center the Moon in the field of your spotting scope.
4. Set the shutter speed to the appropriate setting (see below).
5. Trip the shutter using a cable release so as not to shake the camera and spotting scope.

Lunar Phase	ISO 50	ISO 100	ISO 200	ISO 400
Crescent	1/8	1/15	1/60	1/125
Quarter	1/30	1/125	1/250	1/500
Full	1/125	1/500	1/1000	1/2000

The exposure times listed here should be used as a starting point. Always make exposures that are longer and shorter than the recommended time. Also, try bracketing your exposures, taking a few photos at each shutter speed. This will ensure that you will get a good photo. Keep accurate records of your exposures. This information will be useful if you want to repeat your results or if you want to submit some of your photos to various magazines for possible publication!

---

## **CARE AND CLEANING OF THE OPTICS**

---

Occasionally, dust and/or moisture may build up on the lens of your spotting scope. Special care should be taken when cleaning any optical instrument so as not to damage the optics.

If dust has built up on the lens, remove the dust with a camel's hair brush or a can of pressurized air. Spray at an angle to the lens for approximately 2 to 4 seconds. Then use an optical cleaning solution (available at most optical suppliers) and white tissue paper to remove any remaining debris. Strokes should go from the center of the lens to the outer edge. **Do not rub in circles.**

You can use commercially-made lens cleaner or mix your own. A good cleaning solution is isopropyl alcohol mixed with distilled water. The solution should be 60% isopropyl alcohol and 40% distilled water. Or liquid dish soap diluted with water (a couple of drops per one quart of water) can be used.

Internal adjustments and cleaning should be done only by the Celestron repair department. If your spotting scope is in need of internal cleaning, please contact the factory for service.

### **More...**

Celestron offers an extensive array of spotting scope accessories. Consult the Celestron Accessory Catalog (#93685) for details.

---

## OPTIONAL ACCESSORIES

---

You will find that additional accessories enhance your viewing pleasure and expand the usefulness of your spotting scope. For ease of reference, all the accessories are listed in alphabetical order.

**Advanced GT German Equatorial Mount (#91518)** – Turn your 80ED spotting scope into a wide field photographic instrument or high power planetary telescope, with the addition of this computerized EQ mount. This new German Equatorial mount has precision worm gears on both axes for extremely smooth stability. The key element that makes this system the most stable in its class is the re-designed heavy-duty tripod with larger and more substantial legs that offer excellent damping characteristics for more stable views.



**Barlow Lens** - A Barlow lens is a negative lens that increases the focal length of a telescope. Used with any eyepiece, it doubles the magnification of that eyepiece. Celestron offers two Barlow lenses in the 1-1/4" size. The 2x Ultima Barlow (#93506) is a compact triplet design that is fully multicoated for maximum light transmission and parfocal when used with the Ultima eyepieces. The OMNI Barlow (#93326) is a compact achromatic Barlow lens that is under three inches long and weighs only 4 oz. It works very well with all Celestron eyepieces.

**Diagonal 2" Mirror (#93519)** - Celestron offers a 2" 90° Mirror Diagonal to thread on Schmidt- Cassegrain telescopes or slides into the barrel of a 2" focuser. This diagonal includes an adapter to accept 1/4" eyepieces. It has a multicoated mirror and smooth mechanics that are precision manufactured for reliability

**Eyepieces** - Like telescopes, eyepieces come in a variety of designs. Each design has its own advantages and disadvantages. For the 1-1/4" barrel diameter there are four different eyepiece designs available.

- **OMNI Plössl** - Plössl eyepieces have a 4-element lens designed for low-to-high power observing. The Plössls offer razor sharp views across the entire field, even at the edges! In the 1-1/4" barrel diameter, they are available in the following focal lengths: 4mm, 6mm, 9mm, 12.5mm, 15mm, 20mm, 25mm, 32mm and 40mm.
- **X-Cel** - This 6 element design allows each X-Cel Eyepiece to have 20mm of eye relief, 55° field of view and more than 25mm of lens aperture (even with the 2.3mm). In order to maintain razor sharp, color corrected images across its 55° field of view, extra-low dispersion glass is used for the most highly curved optical elements. The excellent refractive properties of these high grade optical elements, make the X-Cel line especially well suited for high magnification planetary viewing where sharp, color-free views are most appreciated. X-Cel eyepiece come in the following focal lengths: 2.3mm, 5mm, 8mm, 10mm, 12.5mm, 18mm, 21mm, 25mm.
- **Ultima** - Ultima is our 5-element, wide field eyepiece design. In the 1-1/4" barrel diameter, they are available in the following focal lengths: 5mm, 7.5mm, 10mm, 12.5mm, 18mm, 30mm, 35mm, and 42mm. These eyepieces are all parfocal. The 35mm Ultima gives the widest possible field of view with a 1-1/4" diagonal.



- **Axiom** – As an extension of the Ultima line, a new wide angle series is offered – called the Axiom series. All units are seven element designs and feature a 70° extra wide field of view (except the 50mm). All are fully multicoated and contain all the features of the Ultimas.

**Filter, Contrast-Booster 1-1/4" by Baader - (#94121)**

This is our newest high quality filter that eliminates most color aberration inherent in achromatic refractor telescopes. The filter also reduces your view of the blue hue around lunar and planetary subjects. Features multi-layer coatings for 95% transmission.



**A full description of all Celestron accessories can be found at [www.celestron.com](http://www.celestron.com))**

## CELESTRON TWO YEAR WARRANTY

- A. Celestron warrants this telescope to be free from defects in materials and workmanship for two years. Celestron will repair or replace such product or part thereof which, upon inspection by Celestron, is found to be defective in materials or workmanship. As a condition to the obligation of Celestron to repair or replace such product, the product must be returned to Celestron together with proof-of-purchase satisfactory to Celestron.
- B. The Proper Return Authorization Number must be obtained from Celestron in advance of return. Call Celestron at (310) 328-9560 to receive the number to be displayed on the outside of your shipping container.

All returns must be accompanied by a written statement setting forth the name, address, and daytime telephone number of the owner, together with a brief description of any claimed defects. Parts or product for which replacement is made shall become the property of Celestron.

**The customer shall be responsible for all costs of transportation and insurance, both to and from the factory of Celestron, and shall be required to prepay such costs.**

Celestron shall use reasonable efforts to repair or replace any telescope covered by this warranty within thirty days of receipt. In the event repair or replacement shall require more than thirty days, Celestron shall notify the customer accordingly. Celestron reserves the right to replace any product which has been discontinued from its product line with a new product of comparable value and function.

**This warranty shall be void and of no force of effect in the event a covered product has been modified in design or function, or subjected to abuse, misuse, mishandling or unauthorized repair. Further, product malfunction or deterioration due to normal wear is not covered by this warranty.**

CELESTRON DISCLAIMS ANY WARRANTIES, EXPRESS OR IMPLIED, WHETHER OF MERCHANTABILITY OF FITNESS FOR A PARTICULAR USE, EXCEPT AS EXPRESSLY SET FORTH HEREIN.

THE SOLE OBLIGATION OF CELESTRON UNDER THIS LIMITED WARRANTY SHALL BE TO REPAIR OR REPLACE THE COVERED PRODUCT, IN ACCORDANCE WITH THE TERMS SET FORTH HEREIN. CELESTRON EXPRESSLY DISCLAIMS ANY LOST PROFITS, GENERAL, SPECIAL, INDIRECT OR CONSEQUENTIAL DAMAGES WHICH MAY RESULT FROM BREACH OF ANY WARRANTY, OR ARISING OUT OF THE USE OR INABILITY TO USE ANY CELESTRON PRODUCT. ANY WARRANTIES WHICH ARE IMPLIED AND WHICH CANNOT BE DISCLAIMED SHALL BE LIMITED IN DURATION TO A TERM OF TWO YEARS FROM THE DATE OF ORIGINAL RETAIL PURCHASE.

Some states do not allow the exclusion or limitation of incidental or consequential damages or limitation on how long an implied warranty lasts, so the above limitations and exclusions may not apply to you.

This warranty gives you specific legal rights, and you may also have other rights which vary from state to state.

Celestron reserves the right to modify or discontinue, without prior notice to you, any model or style telescope.

If warranty problems arise, or if you need assistance in using your telescope contact:

**Celestron**  
Customer Service Department  
2835 Columbia Street  
Torrance, CA 90503  
Tel. (310) 328-9560  
Fax. (310) 212-5835  
Monday-Friday 8AM-4PM PST

All authorized returns should be shipped to:  
Celestron  
1380 Charles Willard St.  
Carson, CA 90747

This warranty supersedes all other product warranties.

**NOTE: This warranty is valid to U.S.A. and Canadian customers who have purchased this product from an Authorized Celestron Dealer in the U.S.A. or Canada. Warranty outside the U.S.A. and Canada is valid only to customers who purchased from a Celestron Distributor or Authorized Celestron Dealer in the specific country and please contact them for any warranty service.**



2835 Columbia Street  
Torrance, CA 90503 U.S.A.  
(310)328-9560  
(310) 212-5835 (FAX)  
Web site: <http://www.celestron.com>

Copyright 2004 Celestron  
All rights reserved.

Products or instructions may change without notice or obligation.

Printed in China 05-04



## Free Manuals Download Website

<http://myh66.com>

<http://usermanuals.us>

<http://www.somanuals.com>

<http://www.4manuals.cc>

<http://www.manual-lib.com>

<http://www.404manual.com>

<http://www.luxmanual.com>

<http://aubethermostatmanual.com>

Golf course search by state

<http://golfingnear.com>

Email search by domain

<http://emailbydomain.com>

Auto manuals search

<http://auto.somanuals.com>

TV manuals search

<http://tv.somanuals.com>