



Attention:
Garden hose NOT included.

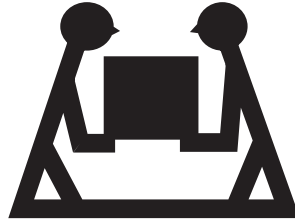
Sink & Preparation Centre Assembly Manual

**85-1140-8 (A01201)
Limited 3-Year Warranty**

Read and save manual for future reference.

**Assemble your grill immediately.
Missing or damaged parts should be
claimed within 15 days of purchase.
Call the Centro Hotline at 1-877-707-5463.**

Manual Revision #: 120407



HEAVY ARTICLE NEEDS 2 TO LIFT

THIS MANUAL MUST REMAIN WITH THE PRODUCT AT ALL TIMES

To ORDER non-warranty replacement parts or accessories,
or to register your warranty, please visit us on the web at
www.centrobbqs.com.

⚠ CAUTION

Sharp edges. Wear gloves when assembling your grill.

⚠ CAUTION

Read and follow all safety statements, assembly instructions, and use and care directions before attempting to assemble and cook.

⚠ INSTALLER OR ASSEMBLER/CONSUMER

This manual should be kept with the BBQ at all times.

⚠ WARNING

Failure to follow all of the Manufacturer's instructions could result in hazardous fires, explosions, property damage, or serious personal injury or even death.

Follow all leak check procedures carefully prior to operation of barbecue, even if grill was dealer assembled. Do not try to light this barbecue without reading the Lighting Instructions section of this manual.

⚠ DANGER

1. If you smell Gas:
 - a. Shut off gas to the appliance
 - b. Extinguish any open flame
 - c. Open lid
 - d. If odor continues, keep away from the appliance and immediately call your gas supplier or your fire department
2. Do not store or use gasoline or other flammable vapours and liquids in the vicinity of this or any other appliance.
3. An LP cylinder not connected for use shall not be stored in the vicinity of this or any other appliance.
4. Requires two people to complete the assembly process.
5. Beware of sharp edges.

THIS BARBECUE IS FOR OUTDOOR USE ONLY

CONTACT CALL CENTRE IF ANY PARTS ARE MISSING

ASSEMBLY INSTRUCTIONS

TOOLS NEEDED FOR ASSEMBLY

- #2 Phillips screwdriver (long and short)
- ¼" Slotted screwdriver (long and short)
- Adjustable wrench
- Pliers
- Rubber Mallet

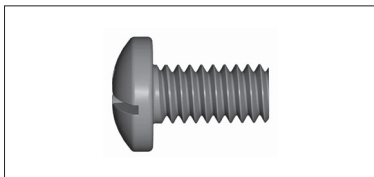
Before assembling the barbecue, read these instructions carefully.

Assemble the barbecue on a flat, clean surface. Grill is heavy.

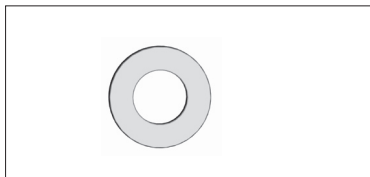
Notes: Do not fully tighten all the nuts during this initial stage.

No.	Description	Part Number	Quantity
1	1/4"-20UNCx13 Screw	20120-13013-250	10
2	ø7 Flat Washer	41400-07000-250	10
3	ø7 Lock Washer	40300-07000-250	10
4	NO.10-24UNC x10 Screw	20124-10010-250	14
5	ø5 Lock Washer	41400-05000-250	14
6	ø5 Washer	40300-05000-250	14
7	Wrench	G413-0032-9082	1

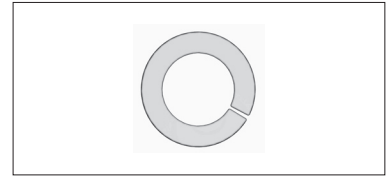
⚠ Caution:
Sheet metal can cause injury. Wear gloves when installing the grill.



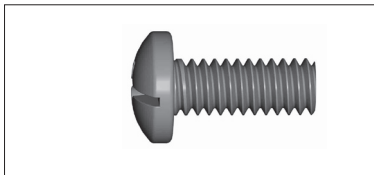
#1. 1/4" - 20UNCx13 Screw (x10)



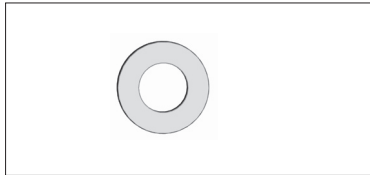
#2. ø7 Flat Washer (x10)



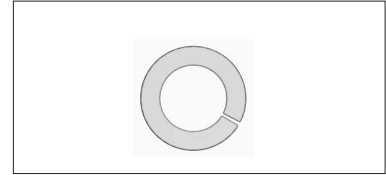
#3. ø7 Lock Washer (x10)



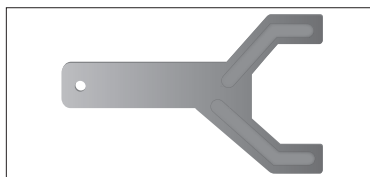
#4. NO.10-24UNC x10 Screw (x14)



#5. ø5 Lock Washer (x14)



#6. ø5 Washer (x14)

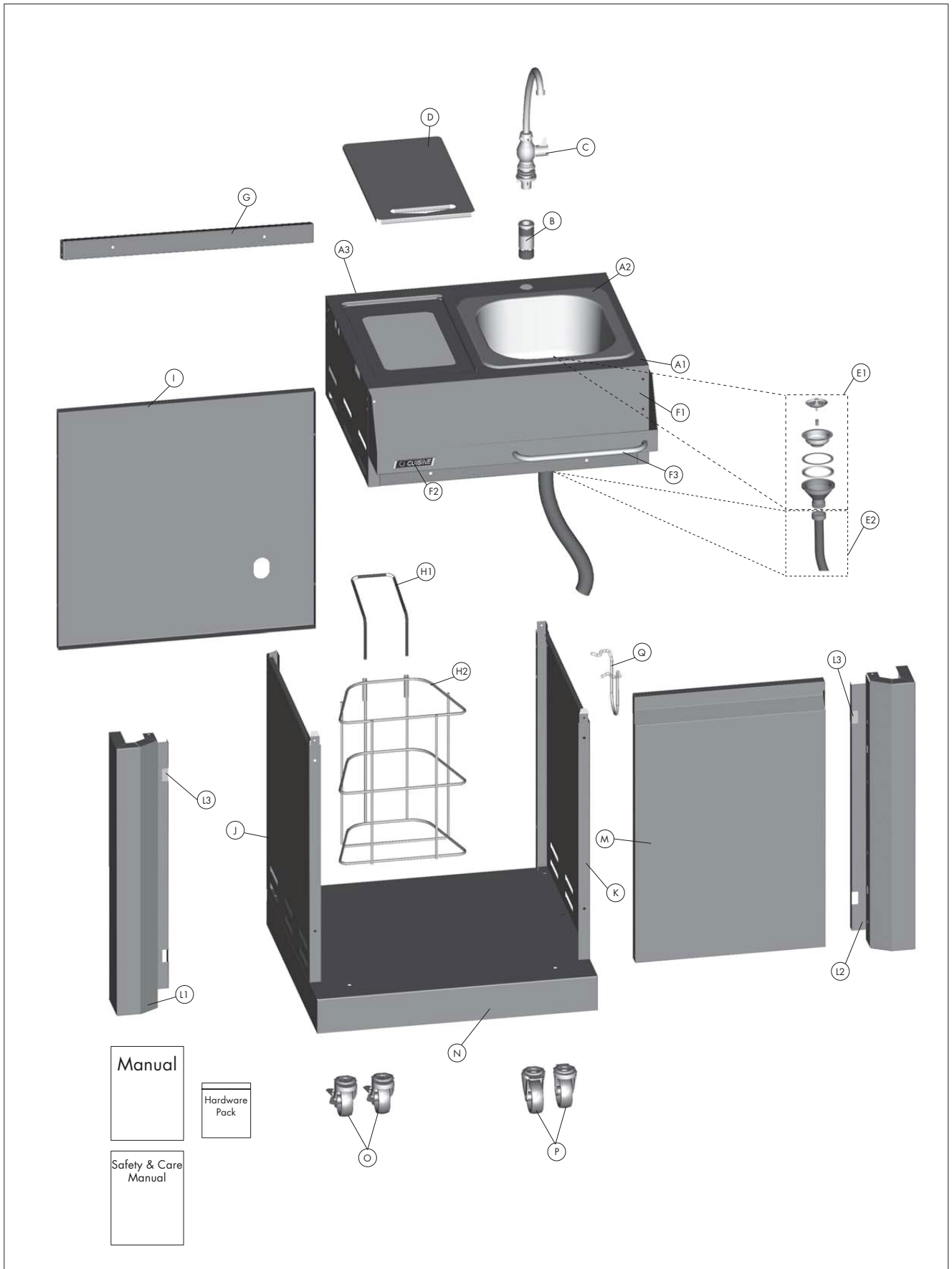


#10. Wrench (x1)

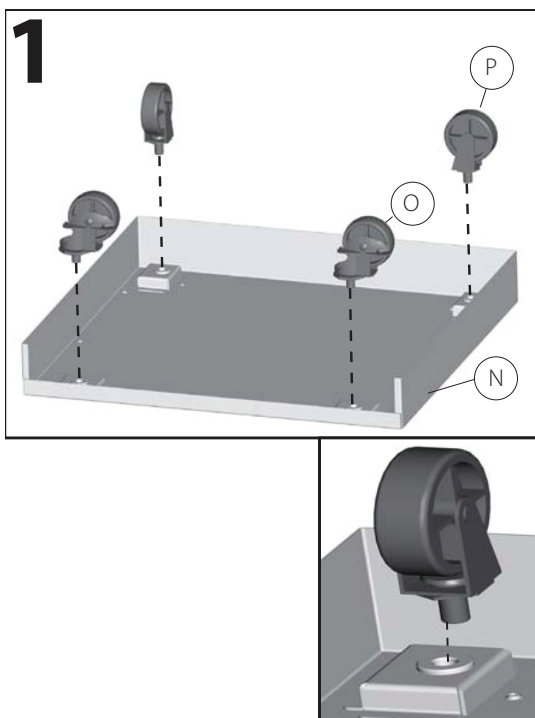
PARTS LIST FOR 85-1140-8 (A01201)

Item	Quantity	Description	Part No.
A1	1	Main Cart Frame Assembly	A012-0100-01
A2	1	Sink Assembly	A006-0900-01
A3	1	Upper Back Panel	A012-0008-01
B	1	Connector	A006-0018-01
C	1	Faucet	A006-0009-01
D	1	Cutting Board	A012-0002-01
E1	1	Sink Strainer	A006-0028-01
E2	1	Sink Hose	A006-0022-01
F1	1	Condiment Holder	A012-0005-01
F2	1	Cuisine Logo	A012-0006-01
F3	1	Towel Bar	G502-0016-01
G	1	Front Brace	A012-0001-01
H1	1	Handle for Trash Basket	A012-0014-01
H2	1	Trash Basket	A012-0013-01
I	1	Back Panel	A012-0007-01
J	1	Left Side Panel, Cart	A012-0200-01
K	1	Right Side Panel, Cart	A012-0300-01
L1	1	Pillar, Left	A012-0600-01
L2	1	Pillar, Right	A012-0700-01
L3	2	Magnet Assy	G401-0052-01
M	1	Door Assy	A012-3000-01
N	1	Bottom Shelf	A012-0500-01
O	2	Caster Assy W/ Lock	G401-0061-01
P	2	Caster Assy	G606-0027-01
Q	1	Joint Hook	A012-0016-01
	1	Hardware Pack	A012-B001-01
	1	Assembly Manual	A012-M001-01
	1	Safety & Care Manual	G617-M001-02

EXPLODED DIAGRAM FOR 85-1140-8 (A01201)



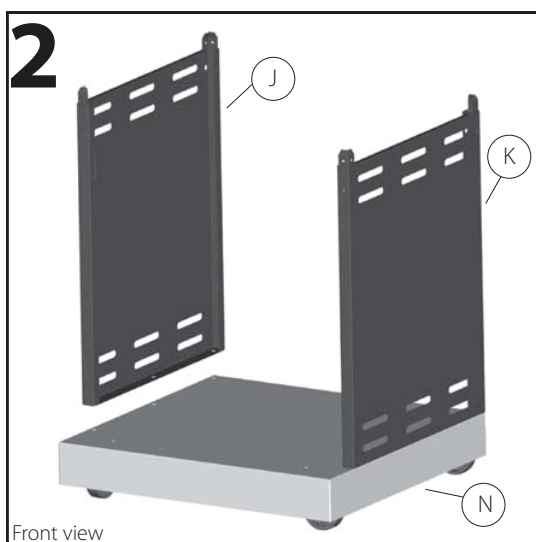
ASSEMBLY INSTRUCTIONS



Separate the 2 different types of wheels, 2 locking wheels (O) and 2 regular wheels (P).

Attach the locking wheels (O) to the back of the bottom shelf (N) and the regular wheels (P) to the front of the bottom shelf (N).

To secure the 4 wheels, hand tighten first. Then, tighten further using the wrench provided in the hardware pack.



Ensure that the wheels are firmly locked in the "ON" position before continuing.

Assemble the left side panel (J) and the right side panel (K) to the bottom shelf (N).



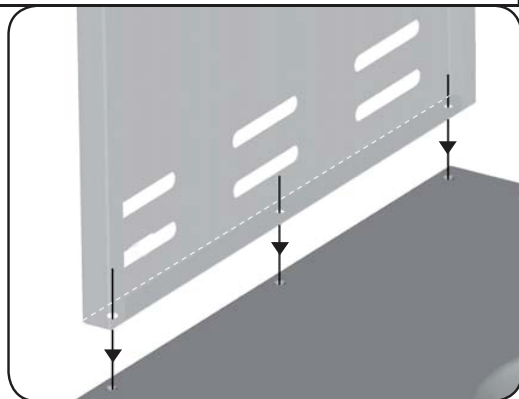
#1 1/4"-20UNCx13 Screw(X6)



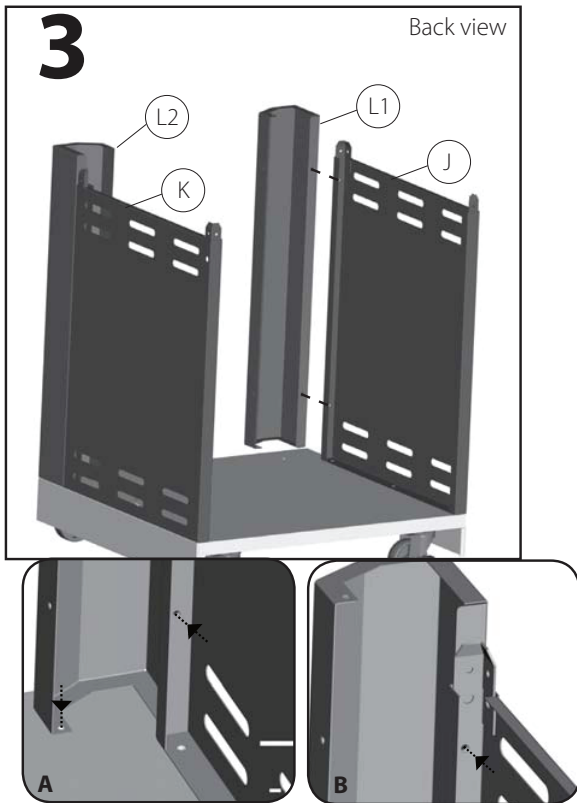
#2 ø7 Flat Washer(X6)



#3 ø7 Lock Washer(X6)



ASSEMBLY INSTRUCTIONS



Attach the left pillar (L1) and the right pillar (L2) to the side panels (J & K) and to the bottom shelf (N), as shown in Figure A and B.



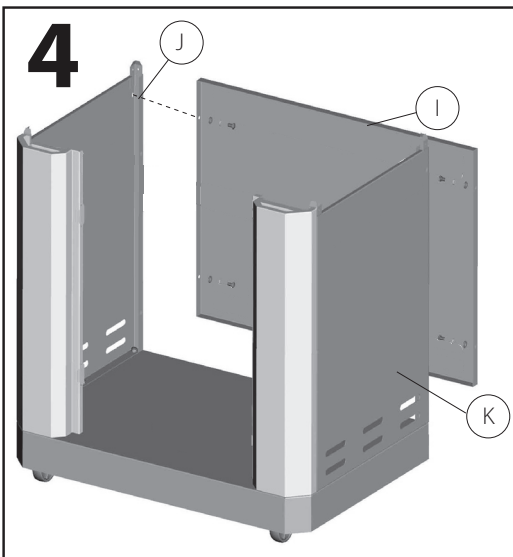
#4 No.10-24UNC x10 Screw(X6)



#5 ø 5 Lock Washer(X6)



#6 ø 5 Washer(X6)



Front view

Attach the back panel (I) to the rear of the left and right cart side panels (J & K).



#1 1/4"-20UNCx13 Screw(X4)

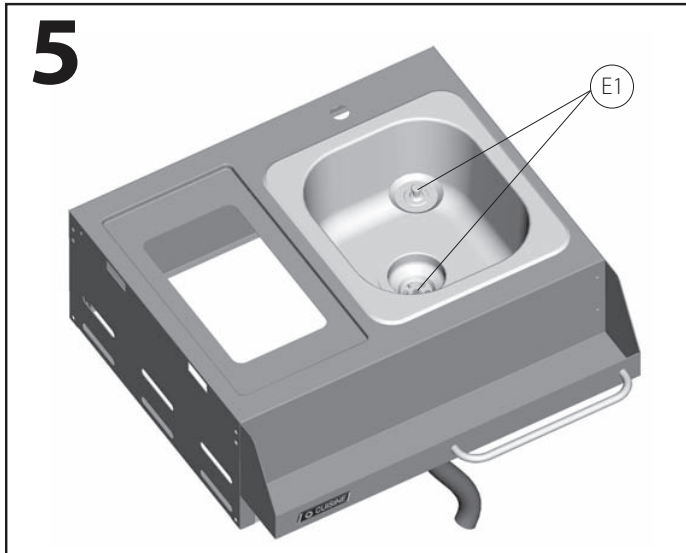


#2 ø7 Flat Washer(X4)

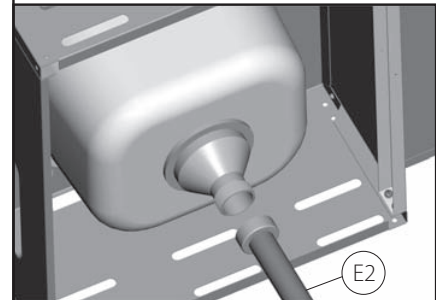


#3 ø7 Lock Washer(X4)

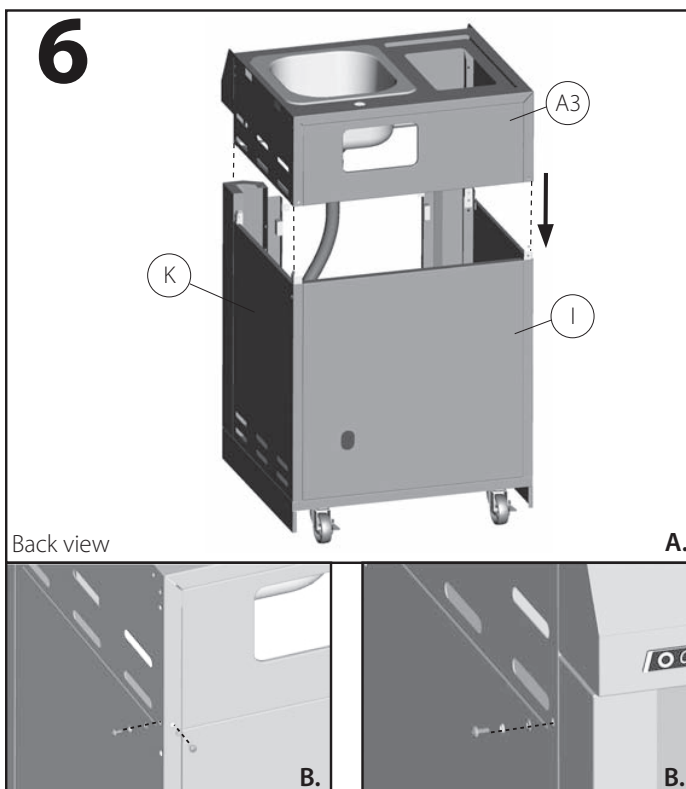
ASSEMBLY INSTRUCTIONS



From underneath the sink cart, attach the sink hose (E2) to the sink assembly (A2).



Underside of the main cart frame.



Back view


A.

B.

B.

THIS STEP REQUIRES 2 OR MORE PEOPLE. DO NOT ATTEMPT ALONE. EXTREMELY HEAVY!

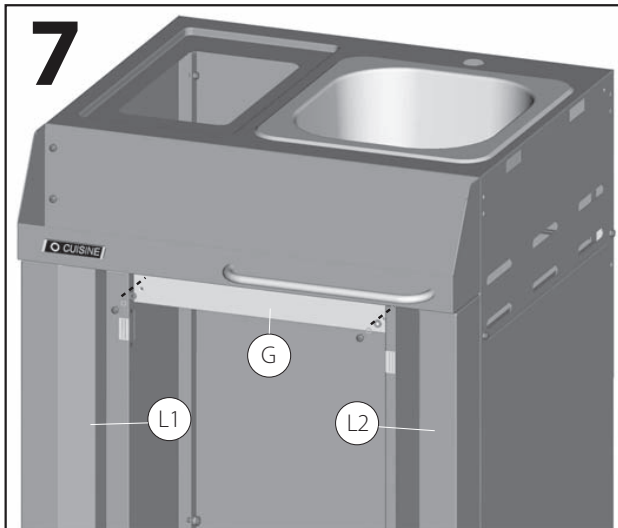
- Position the main cart frame (A) onto the cart assembly, as shown in Figure A.
- Use the hardware to connect both parts, on the left and right sides, at the four points indicated in Figure B.

 #4 No.10-24UNC x10 Screw(X6)

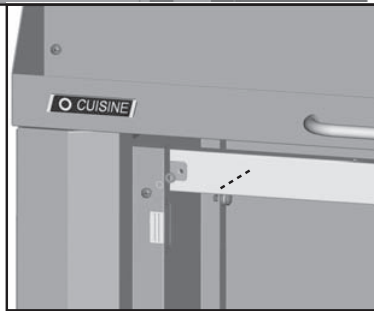
 #5 \varnothing 5 Lock Washer(X6)

 #6 \varnothing 5 Washer(X6)

ASSEMBLY INSTRUCTIONS



Front view



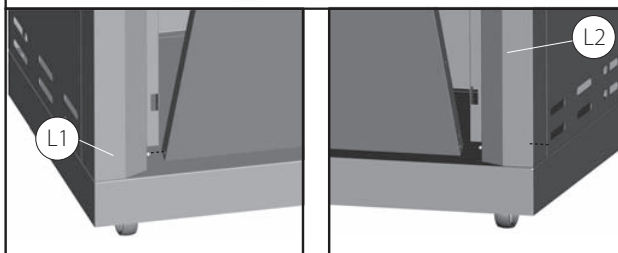
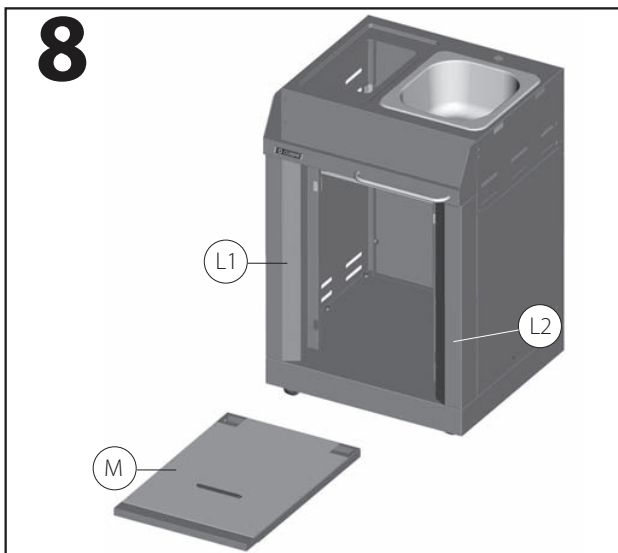
Attach the front brace (G) to the left and right pillars (L1 & L2).

TIP: One person should align the left side, while the second person assembles the right side.

 #4 No.10-24UNC x10 Screw(X2)

 #5 \varnothing 5 Lock Washer(X2)

 #6 \varnothing 5 Washer(X2)

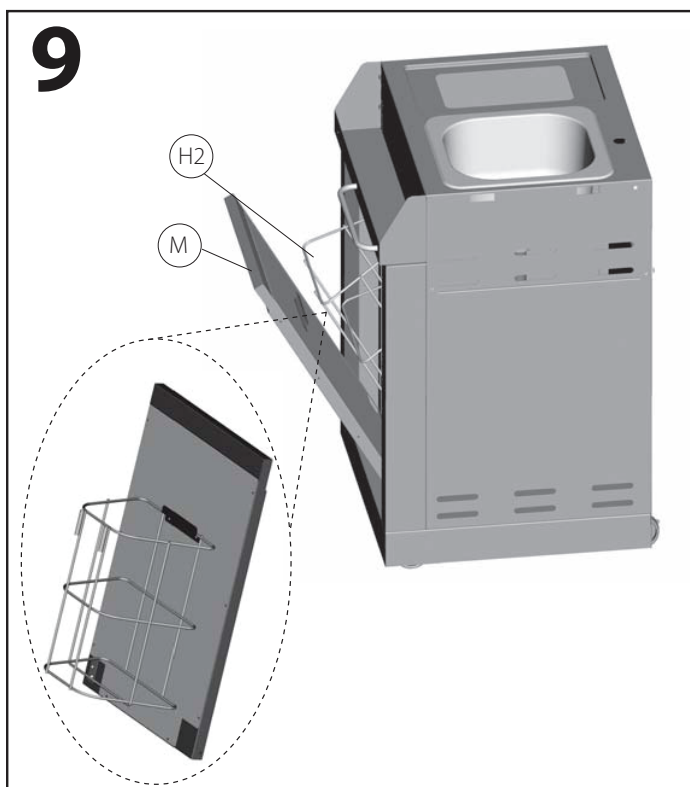


a. Locate the door anchor pins on both the left and right pillars (L1 & L2).

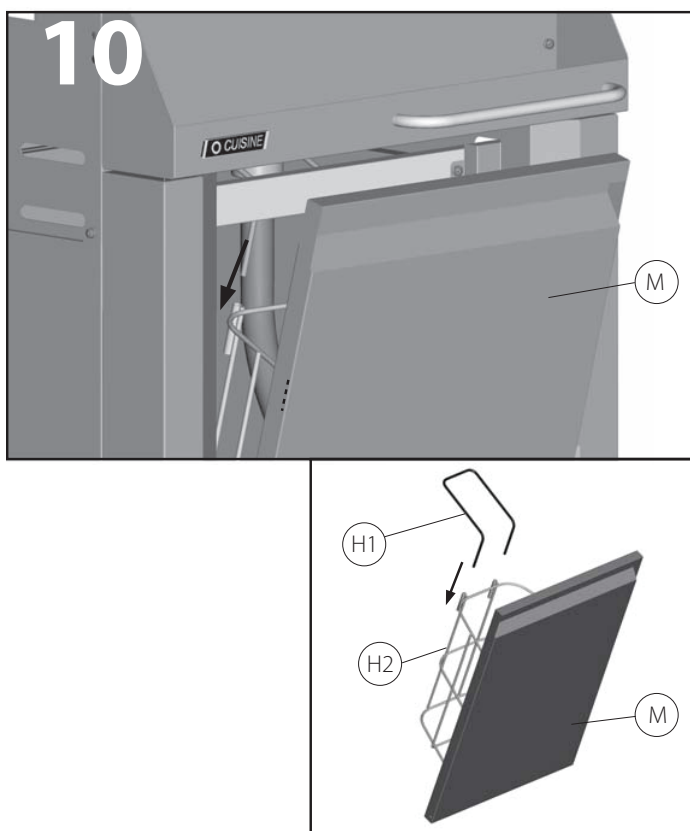
b. Locate the holes on the bottom of the door (M). Insert the door anchor pins into the door.

Tip: push in on the door anchor pin with something solid so that the door can slide into place.

ASSEMBLY INSTRUCTIONS

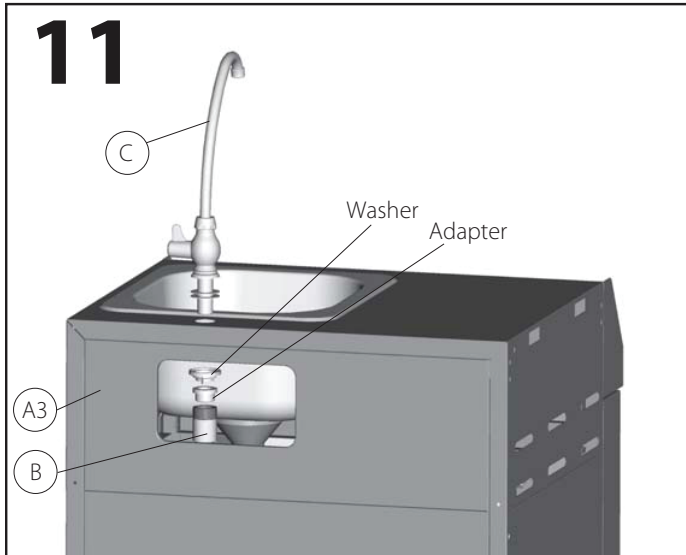


Slide the trash basket (H2) down the rails that are located behind the door (M) as shown.



Insert the handle for the trash basket (H1) into the back of the trash basket (H2).

ASSEMBLY INSTRUCTIONS

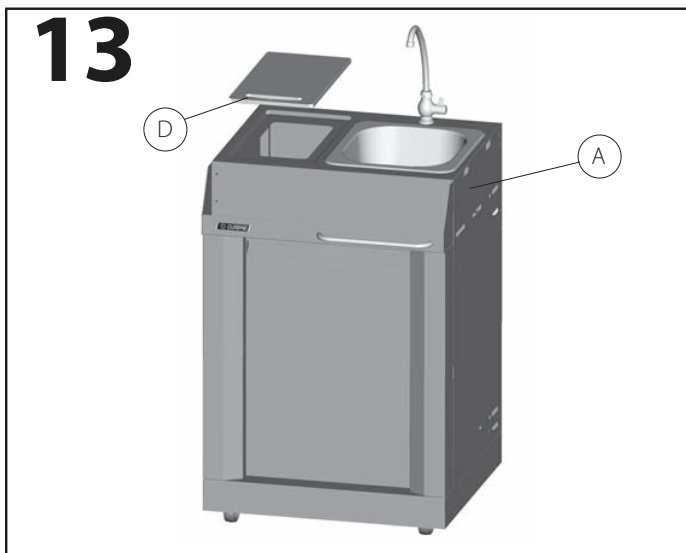


- a. Remove washer and adaptor from faucet (C).
- b. Insert faucet (C) through the main cart frame (A). Tighten in position using the washer and adaptor removed.



A garden hose is required for this step.

To attach the garden hose to the unit: There are two pieces to the Connector (B). Separate the two pieces to slide a cut garden hose through the collar. Then insert the end of the garden hose to the Connector. Now screw the collar to the other part of the Connector to fasten the garden hose. Finally attach the two pieces of the Connector together.

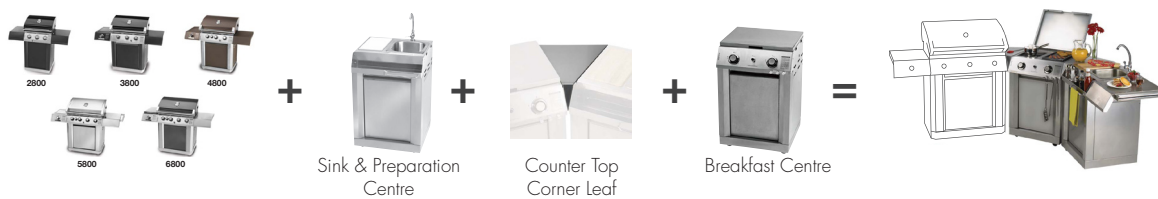
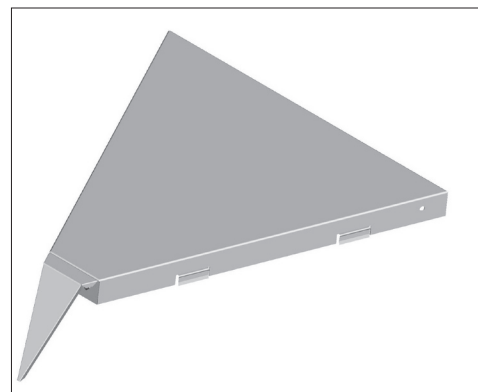


Place the cutting board (D) on the main cart frame (A).

NOW AVAILABLE!

Centro Countertop Corner Leaf (# 85-1147-4/ A01301)

- o Extend your counter space
- o Arrange your Centro BBQ and Centro Cuisine outdoor appliances at a 45° angle
- o Connect your Centro BBQ and Centro Cuisine outdoor appliances for a seamless outdoor kitchen experience.



Free Manuals Download Website

<http://myh66.com>

<http://usermanuals.us>

<http://www.somanuals.com>

<http://www.4manuals.cc>

<http://www.manual-lib.com>

<http://www.404manual.com>

<http://www.luxmanual.com>

<http://aubethermostatmanual.com>

Golf course search by state

<http://golfingnear.com>

Email search by domain

<http://emailbydomain.com>

Auto manuals search

<http://auto.somanuals.com>

TV manuals search

<http://tv.somanuals.com>