

This addendum is to be used in conjunction with the owner's manual. Refer to the manual for all mounting and wiring instructions with the exception of page 14. For page 14, follow instructions shown below.

WIRING

CONTROL WIRING

BATTERY BACKUP

If the gate operator is already factory equipped with battery run, only the Right/Left Side switch and Mode 1 are supported (Figure 3). The Right/Left switch must be set in the same position as the Right/Left switch on the main control board. (See page 22 for correctly setting the Right/Left switch on the control board.) Gate will continue to operate when power is lost.

• **NOTE:** Mode 2 operation is no longer supported.

INSTALLATION

If the gate operator did not come from the factory equipped with battery run, field installation of battery run is very simple. The illustration at right shows additional wiring required for battery run that is not part of the standard wiring (Figure 4).

1. Disconnect power to gate operator.
2. Disconnect the brown and red wires from terminals 13 and 14 and insulate the ends of the wires.
3. Secure the charger board to the main control board by attaching to the 14 screw terminal on the left side of the control board.
4. Connect a green wire from terminal 2 to terminal 15 of the control board.
5. Attach an orange wire from terminal D of the charger board to terminal 18 of the main control board.
6. Attach a red wire from terminal A to battery positive and a black wire from terminal B to battery negative.

Figure 3

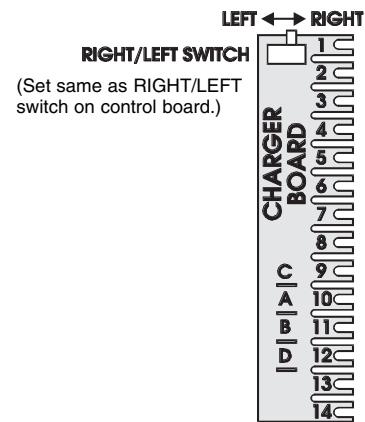
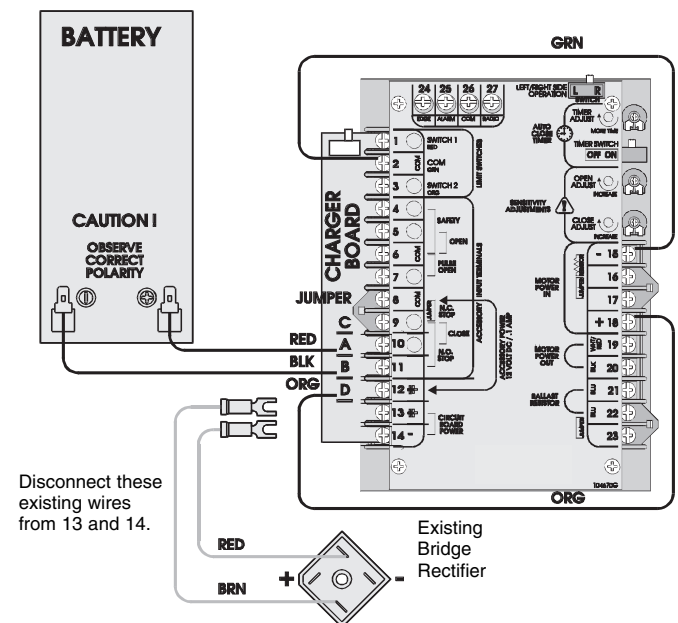


Figure 4



Free Manuals Download Website

<http://myh66.com>

<http://usermanuals.us>

<http://www.somanuals.com>

<http://www.4manuals.cc>

<http://www.manual-lib.com>

<http://www.404manual.com>

<http://www.luxmanual.com>

<http://aubethermostatmanual.com>

Golf course search by state

<http://golfingnear.com>

Email search by domain

<http://emailbydomain.com>

Auto manuals search

<http://auto.somanuals.com>

TV manuals search

<http://tv.somanuals.com>