

**APPLICATION**

This modification is available for Model SD and GSD standard door operators with 24V control circuits (M) and logic control board (L).

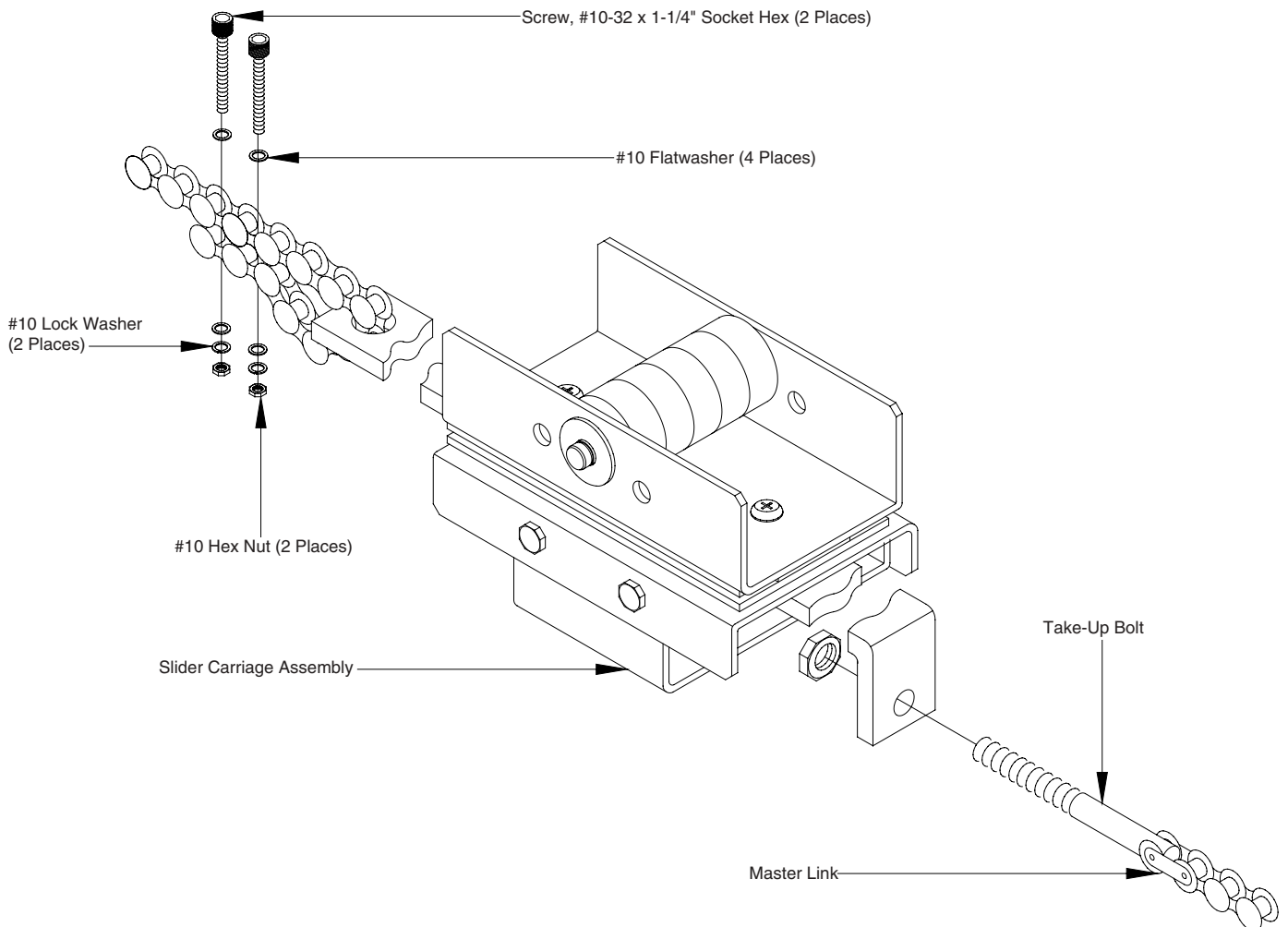
**FUNCTIONS**

Required on slide door operators where one operator is used to open two bi-parting doors, one sliding left and the other sliding right to open. Includes a modified second slider and a second door bracket mechanism. The operator is not effected. However, operator horsepower must be selected using the area (in square feet) of entire door opening.

**INSTALLATION INSTRUCTIONS**

Refer to the slide door instructions provided with the operator for operator mounting, electrical connections and operating instructions.

KIT PART #	DESCRIPTION
K75-10471	Trolley Slider Kit For Bi-Parting Doors



## Free Manuals Download Website

<http://myh66.com>

<http://usermanuals.us>

<http://www.somanuals.com>

<http://www.4manuals.cc>

<http://www.manual-lib.com>

<http://www.404manual.com>

<http://www.luxmanual.com>

<http://aubethermostatmanual.com>

Golf course search by state

<http://golfingnear.com>

Email search by domain

<http://emailbydomain.com>

Auto manuals search

<http://auto.somanuals.com>

TV manuals search

<http://tv.somanuals.com>