

CHAMBERLAIN®

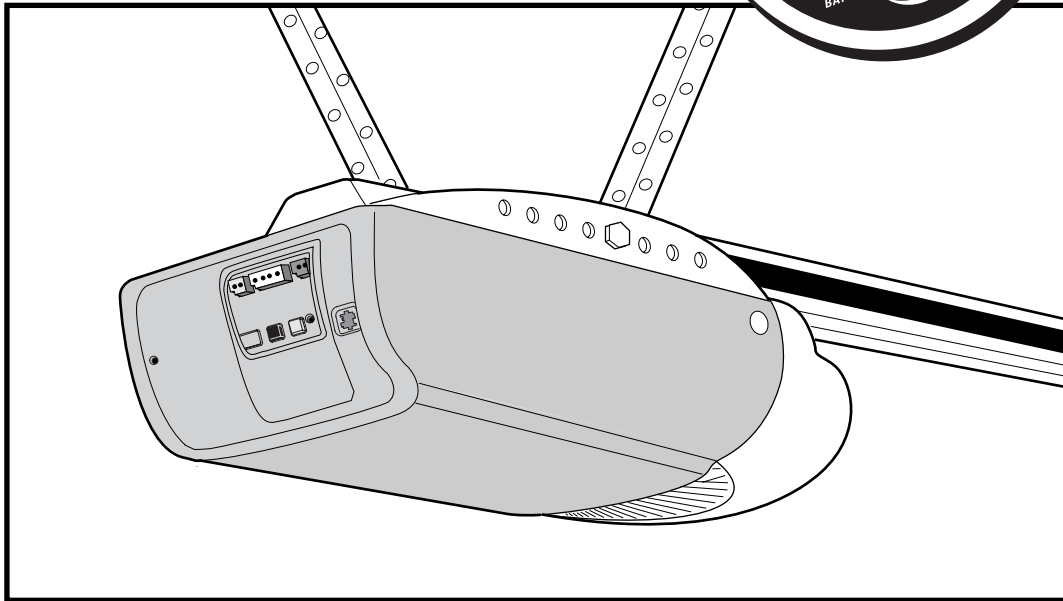
**LiftMaster®**  
**PROFESSIONAL**

The Chamberlain Group, Inc.  
845 Larch Avenue  
Elmhurst, Illinois 60126-1196  
www.liftmaster.com



**SECURITY+**  
**GARAGE DOOR OPENER**  
**Model 2500BC**

*For Residential Use Only*



## ***Owner's Manual***

- Please read this manual and the enclosed safety materials carefully!
- Fasten the manual near the garage door after installation.
- The door **WILL NOT CLOSE** unless The Protector System® is connected and properly aligned.
- Periodic checks of the opener are required to ensure safe operation.
- The model number label is located on the front of your opener.

# TABLE OF CONTENTS

<b>Introduction</b>	<b>2-5</b>	<b>Adjustment</b>	<b>24-26</b>
Safety symbol review and signal word review .....	2	Program the travel limits .....	24
Preparing your garage door .....	3	Setting the force .....	25
Tools .....	3	Test the safety reversal system.....	26
Planning .....	4	Test The Protector System® .....	26
Carton inventory .....	5	<b>Operation</b>	<b>27-30</b>
Hardware inventory .....	5	Operation safety instructions.....	27
<b>Assembly</b>	<b>6-7</b>	Using your garage door opener .....	27
Fasten rail to the motor unit .....	6	Using the door control.....	28
Set the belt tension .....	6	To open the door manually.....	28
Attach the belt cap retainer .....	7	Care of your garage door opener.....	29
<b>Installation</b>	<b>7-23</b>	Having a problem? .....	29-30
Installation safety instructions .....	7	<b>Programming</b>	<b>31-32</b>
Determine the header bracket location.....	8-9	To add or reprogram a hand-held remote control .....	31
Install the header bracket.....	10	To erase all codes .....	31
Attach the rail to the header bracket.....	11	3-Button Remotes .....	31
Position the opener .....	12	To add, reprogram or change	
Hang the opener .....	13	a Keyless Entry PIN .....	32
Install the door control.....	14	<b>Repair Parts</b>	<b>33-34</b>
Install the lights and lens.....	15	Rail assembly parts.....	33
Attach the emergency release rope and handle .....	15	Installation parts .....	33
Electrical requirements.....	16	Motor unit assembly parts .....	34
Install The Protector System® .....	17-19	<b>Accessories</b>	<b>35</b>
Fasten the door bracket.....	20-21	<b>Repair Parts and Service</b>	<b>36</b>
Connect the door arm to the trolley .....	22-23	<b>Warranty</b>	<b>36</b>

## INTRODUCTION

### Safety Symbol Review

This garage door opener has been designed and tested to offer safe service provided it is installed, operated, maintained and tested in strict accordance with the instructions and warnings contained in this manual.

 **WARNING**

**Mechanical**

 **WARNING**

**Electrical**

**CAUTION**

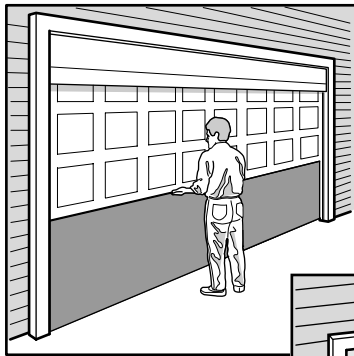
When you see these Safety Symbols and Signal Words on the following pages, they will alert you to the possibility of **serious injury or death** if you do not comply with the warnings that accompany them. The hazard may come from something mechanical or from electric shock. Read the warnings carefully.

When you see this Signal Word on the following pages, it will alert you to the possibility of damage to your garage door and/or the garage door opener if you do not comply with the cautionary statements that accompany it. Read them carefully.

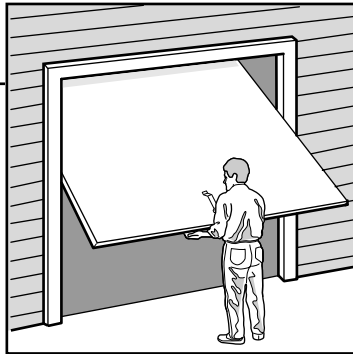
## Preparing your garage door

Before you begin:

- Disable locks.
  - Remove any ropes connected to garage door.
  - **Complete the following test** to make sure your garage door is balanced and is not sticking or binding:
    1. Lift the door about halfway as shown. Release the door. If balanced, it should stay in place, supported entirely by its springs.
    2. Raise and lower the door to see if there is any binding or sticking.
- If your door binds, sticks, or is out of balance, call a trained door systems technician.



Sectional Door



One-Piece Door

## ⚠ WARNING

To prevent possible **SERIOUS INJURY OR DEATH**:

- **ALWAYS** call a trained door systems technician if garage door binds, sticks, or is out of balance. An unbalanced garage door may not reverse when required.
- **NEVER** try to loosen, move or adjust garage door, door springs, cables, pulleys, brackets or their hardware, all of which are under **EXTREME** tension.
- Disable **ALL** locks and remove **ALL** ropes connected to garage door **BEFORE** installing and operating garage door opener to avoid entanglement.

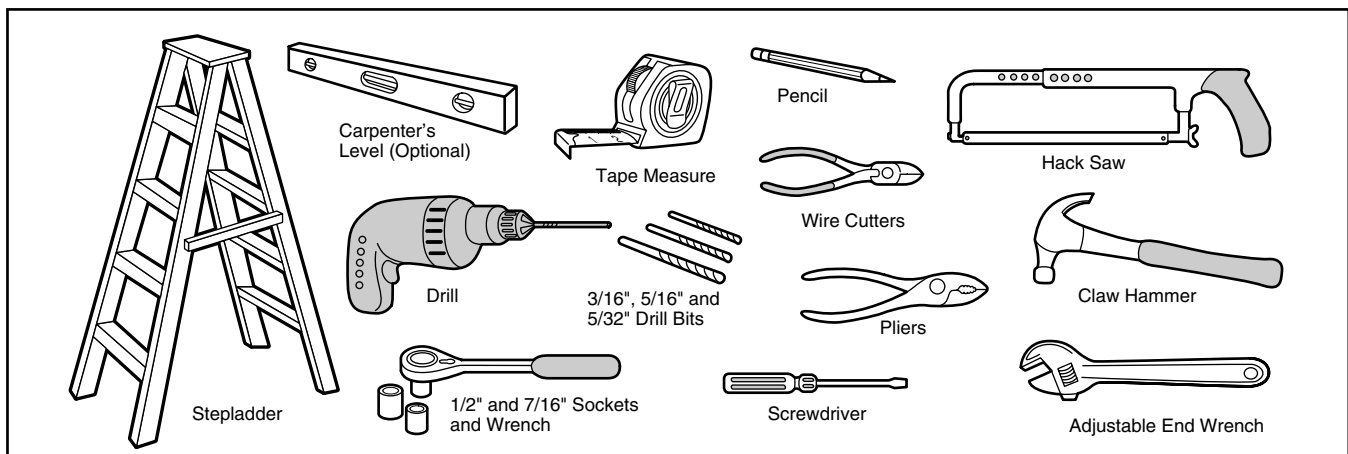
## CAUTION

To prevent damage to garage door and opener:

- **ALWAYS** disable locks **BEFORE** installing and operating the opener.
- **ONLY** operate garage door opener at 120V, 60 Hz to avoid malfunction and damage.

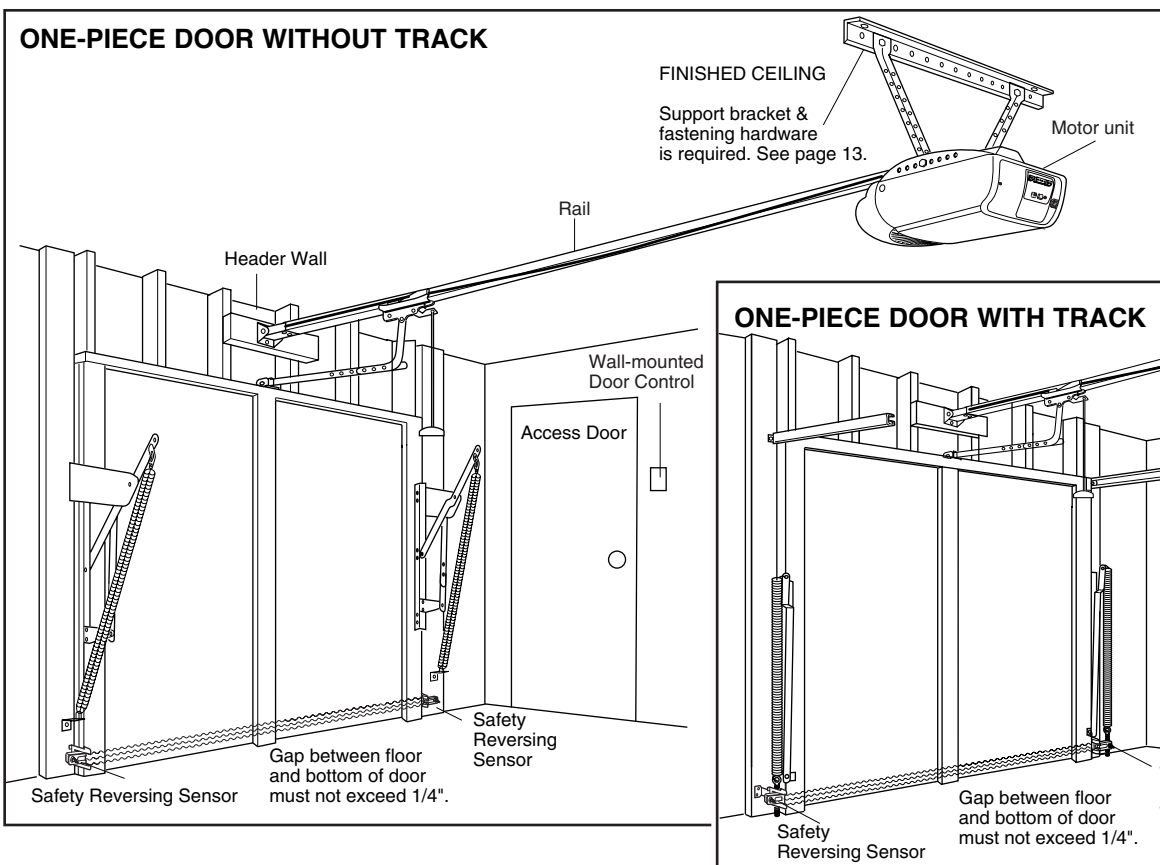
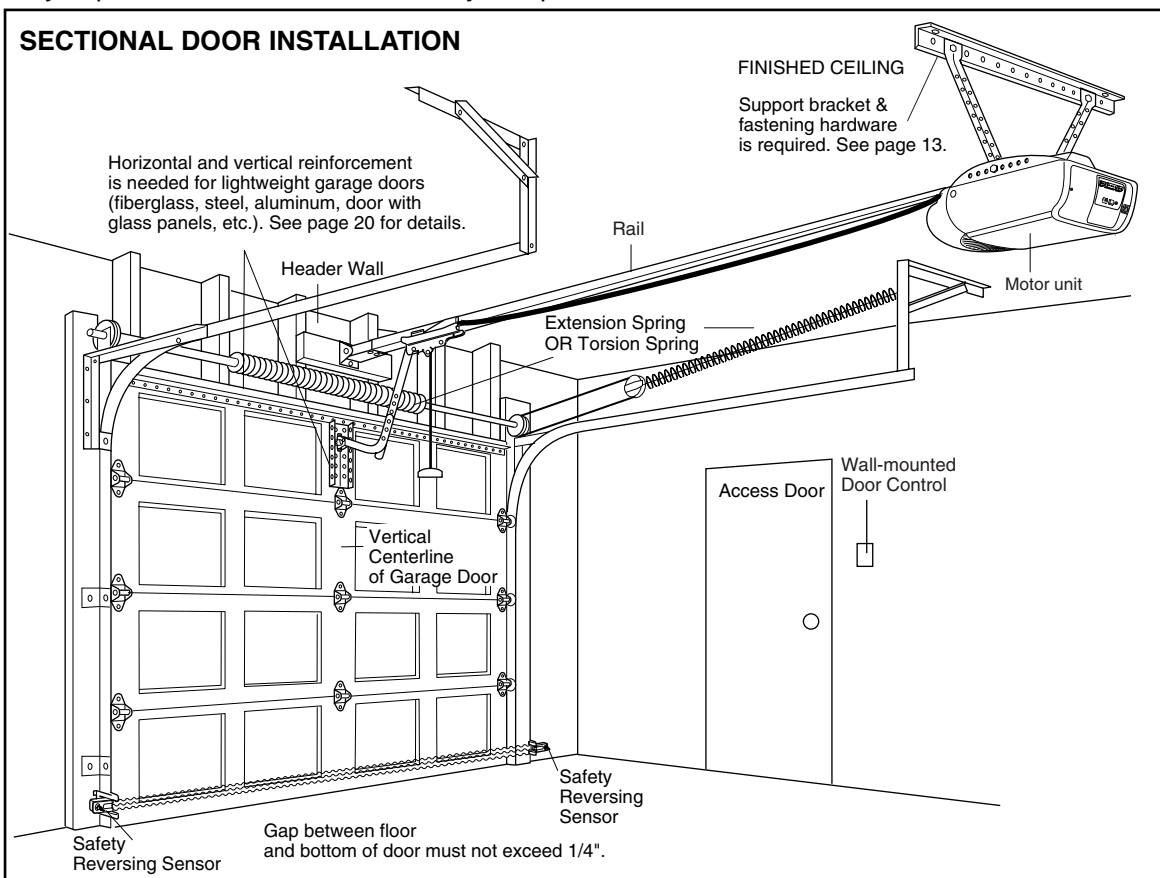
## Tools needed

During assembly, installation and adjustment of the opener, instructions will call for hand tools as illustrated below.



## Planning

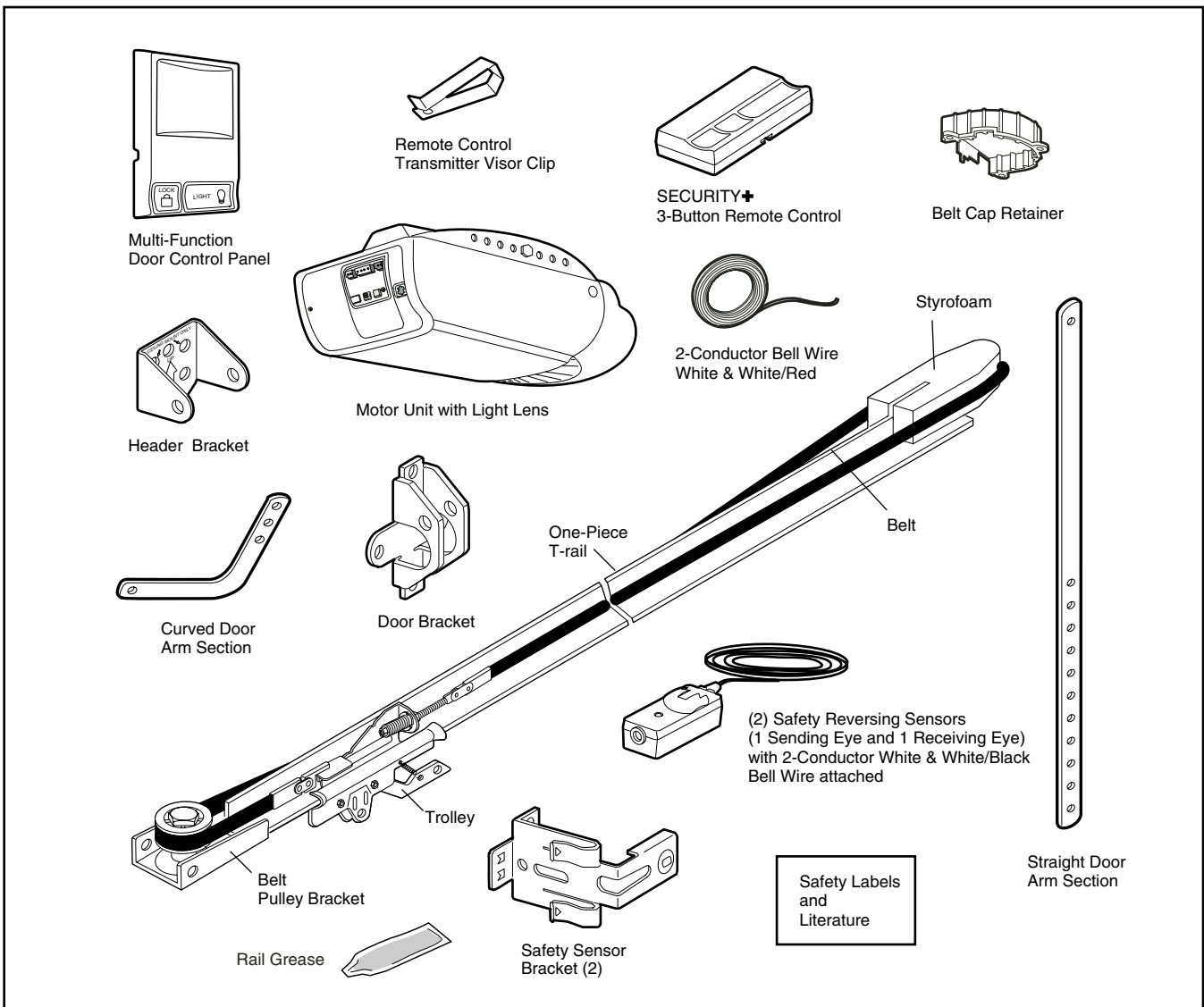
Identify the type and height of your garage door. Survey your garage area to see if any of the conditions below apply to your installation. Additional materials may be required. You may find it helpful to refer back to this page as you proceed with the installation of your opener.



## Carton Inventory

Your garage door opener is packaged in two cartons which contain the motor unit and the parts illustrated below. Note that accessories will depend on the

model purchased. If anything is missing, carefully check the packing material. Parts may be stuck in the foam. **KEEP THE FOAM INTACT** (see page 6.)



## Hardware Inventory

### INSTALLATION HARDWARE

Hex Screw #8x3/8" (3)

Hex Bolt 5/16"-18x7/8" (4)

Lag Screw 5/16"-9x1-5/8" (2)

Lag Screw 5/16"-18x1-7/8" (2)

Self-Threading Screw 1/4"-14x5/8" (2)

Clevis Pin 5/16"x2-3/4" (1)

Clevis Pin 5/16"x1-1/4" (1)

Clevis Pin 5/16"x1" (1)

Nut 5/16"-18 (4)

Lock Washer 5/16" (4)

Screw 6ABx1-1/4" (2)

Screw 6-32x1" (2)

Insulated Staples (30)

Ring Fastener (3)

Handle

Drywall Anchors (2)

Rope

Carriage Bolts 1/4"-20x1/2" (2)

Wing Nut 1/4"x20 (2)

## ASSEMBLY STEP 1

### Attach the Rail to the Motor Unit

To avoid installation difficulties, do not run the garage door opener until instructed to do so.

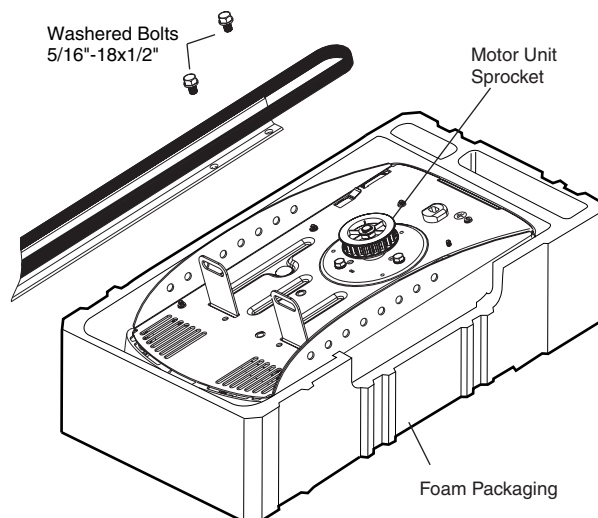
- Remove the two washered bolts mounted in top of motor unit.
- Align rail and styrofoam over sprocket. Cut tape from rail, belt and styrofoam.
- REMOVE STYROFOAM.
- Insert both washered bolts through the rail into the motor unit. Tighten bolts securely.

**Use only these bolts! Use of any other bolts will cause serious damage to door opener.**

- Position belt over the motor unit sprocket.

## CAUTION

To avoid SERIOUS damage to garage door opener, use ONLY those bolts/fasteners mounted in the top of the opener.



## ASSEMBLY STEP 2

### Set the Belt Tension

- By hand, thread the spring trolley nut on the threaded shaft until it is finger tight against the trolley (Figure 1). Do not use any tools.
- Insert a screwdriver tip into one of the nut ring slots and brace it firmly against the trolley (Figure 2).

Figure 1

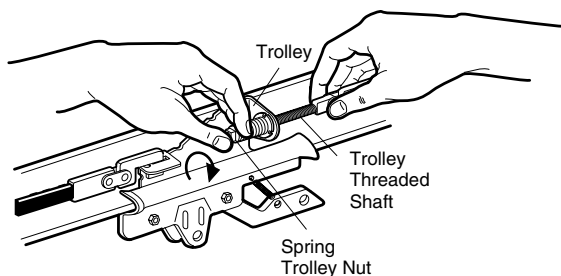
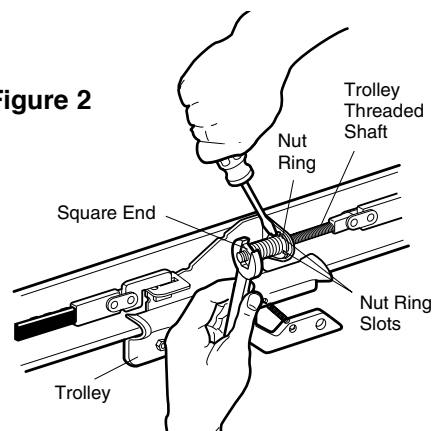


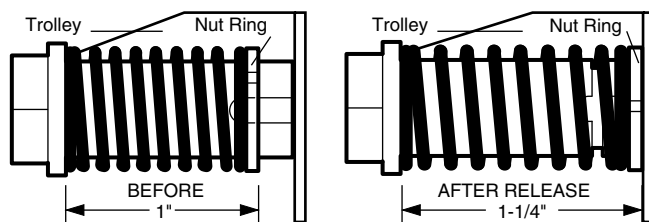
Figure 2



- Place a 7/16" open end wrench on the square end. Rotate about 1/4 turn until the spring releases and snaps the nut ring against the trolley (Figure 3).

This extends the spring for optimum belt tension.

Figure 3

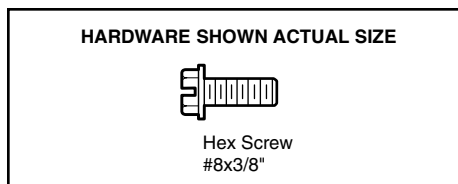


## ASSEMBLY STEP 3

### Attach the Belt Cap Retainer

- Position the belt cap retainer over the opener sprocket so the two holes in cap align with the two holes in mounting plate. Attach with #8x3/8" hex screws provided.

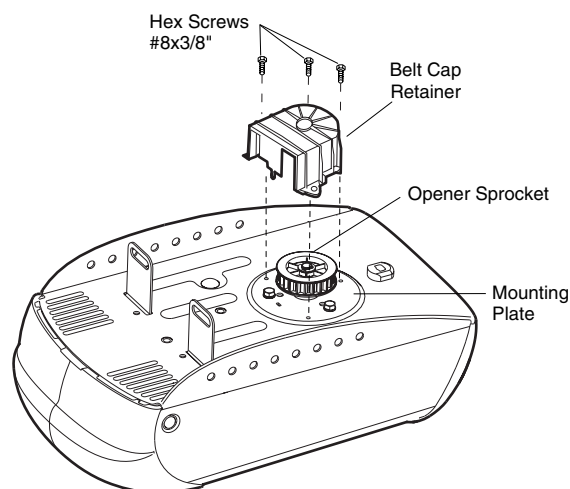
**You have now finished assembling your garage door opener. Please read the following warnings before proceeding to the installation section.**



**⚠ WARNING**

To avoid possible **SERIOUS INJURY** to fingers from moving garage door opener:

- **ALWAYS** keep hand clear of sprocket while operating opener.
- Securely attach sprocket cover **BEFORE** operating.



## INSTALLATION

### IMPORTANT INSTALLATION INSTRUCTIONS

#### ⚠ WARNING

#### To reduce the risk of severe injury or death:

1. READ AND FOLLOW ALL INSTALLATION WARNINGS AND INSTRUCTIONS.
2. Install garage door opener only on properly balanced and lubricated garage door. An improperly balanced door may not reverse when required and could result in **SEVERE INJURY** or **DEATH**.
3. All repairs to cables, spring assemblies and other hardware **MUST** be made by a trained door systems technician **BEFORE** installing opener.
4. Disable all locks and remove all ropes connected to garage door **BEFORE** installing opener to avoid entanglement.
5. Install garage door opener 7 feet or more above floor.
6. Mount emergency release handle 6 feet above floor.
7. **NEVER** connect garage door opener to power source until instructed to do so.
8. **NEVER** wear watches, rings or loose clothing while installing or servicing opener. They could be caught in garage door or opener mechanisms.
9. Install wall-mounted garage door control:
  - within sight of the garage door.
  - out of reach of children at minimum height of 5 feet.
  - away from all moving parts of the door.
10. Place entrapment warning label on wall next to garage door control.
11. Place manual release/safety reverse test label in plain view on inside of garage door.
12. Upon completion of installation, test safety reversal system. Door **MUST** reverse on contact with a 1-1/2" high object (or a 2x4 laid flat) on the floor.

# INSTALLATION STEP 1

## Determine the Header Bracket Location

### **⚠ WARNING**

To prevent possible **SERIOUS INJURY** or **DEATH**:

- Header bracket **MUST** be **RIGIDLY** fastened to structural support on header wall or ceiling, otherwise garage door might not reverse when required. **DO NOT** install header bracket over drywall.
- Concrete anchors **MUST** be used if mounting header bracket or 2x4 into masonry.
- **NEVER** try to loosen, move or adjust garage door, springs, cables, pulleys, brackets, or their hardware, all of which are under **EXTREME** tension.
- **ALWAYS** call a trained door systems technician if garage door binds, sticks, or is out of balance. An unbalanced garage door might not reverse when required.

Installation procedures vary according to garage door types. Follow the instructions which apply to your door.

### SECTIONAL DOOR AND ONE-PIECE DOOR WITH TRACK

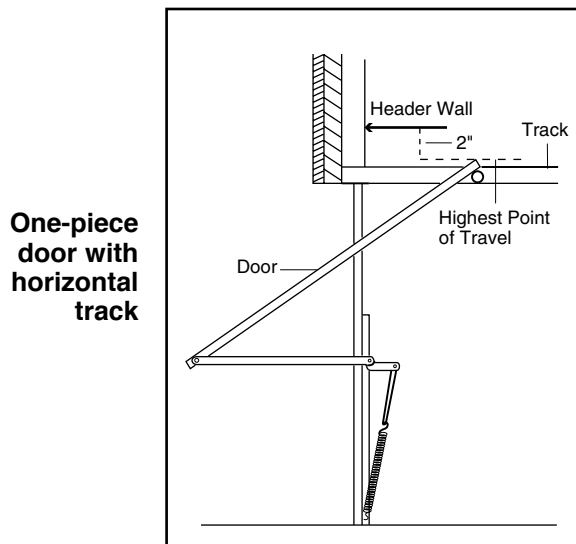
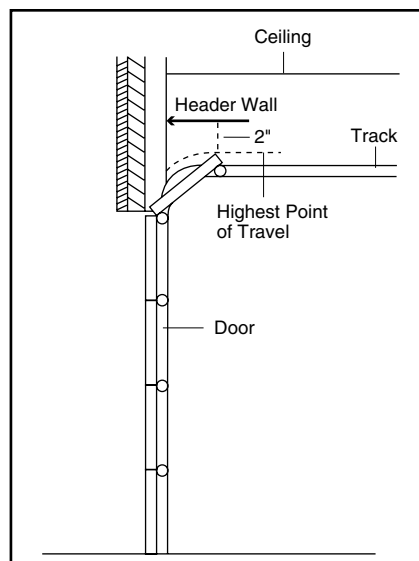
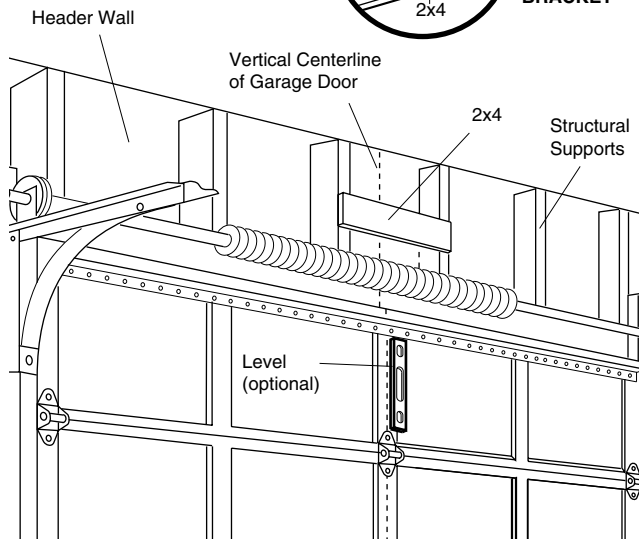
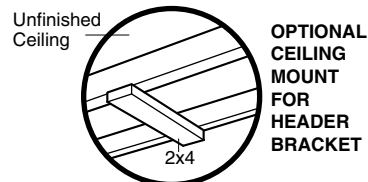
1. Close the door and mark the inside vertical centerline of the garage door.
2. Extend the line onto the header wall above the door.

**You can fasten the header bracket within 4 feet of the left or right of the door center only if a torsion spring or center bearing plate is in the way; or you can attach it to the ceiling (see page 10) when clearance is minimal. (It may be mounted on the wall upside down if necessary, to gain approximately 1/2".)**

If you need to install the header bracket on a 2x4 (on wall or ceiling), use lag screws (not provided) to securely fasten the 2x4 to structural supports as shown here and on page 10.

3. Open your door to the highest point of travel as shown. Draw an intersecting horizontal line on the header wall 2" above the high point. This height will provide travel clearance for the top edge of the door.

**Proceed to Step 2, page 10.**

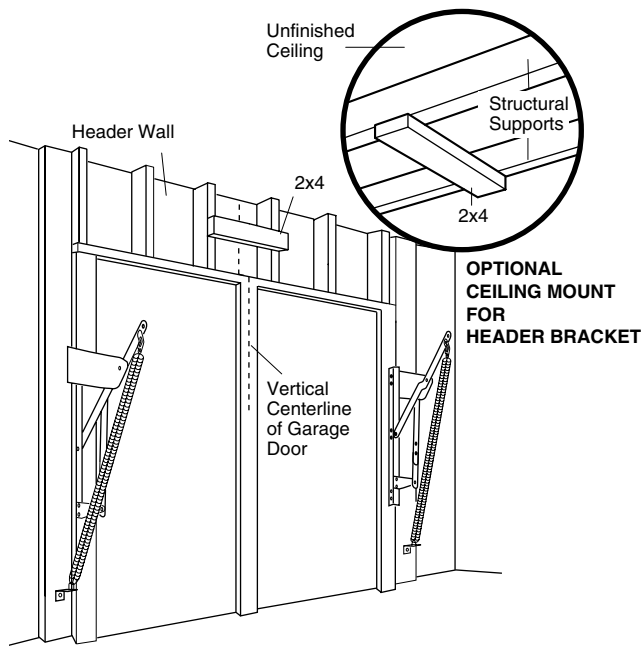




### ONE-PIECE DOOR WITHOUT TRACK

1. Close the door and mark the inside vertical centerline of your garage door. Extend the line onto the header wall above door, as shown.  
 If headroom clearance is minimal, you can install the header bracket on the ceiling. See page 10.  
 If you need to install the header bracket on a 2x4 (on wall or ceiling), use lag screws (not provided) to securely fasten the 2x4 to structural supports as shown. If installing into masonry, use concrete anchors (not provided).
2. Open your door to the highest point of travel as shown. Measure the distance from the top of the door to the floor. Subtract the actual height of the door. Add 8" to the remainder. (See Example).
3. Close the door and draw an intersecting horizontal line on the header wall at the determined height.

**NOTE:** If the total number of inches exceeds the height available in your garage, use the maximum height possible, or refer to page 10 for ceiling installation.

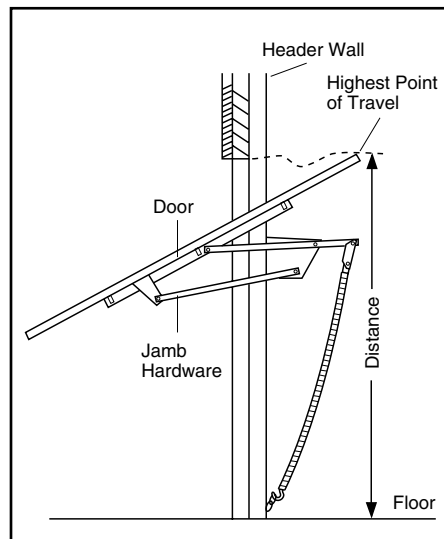


#### EXAMPLE

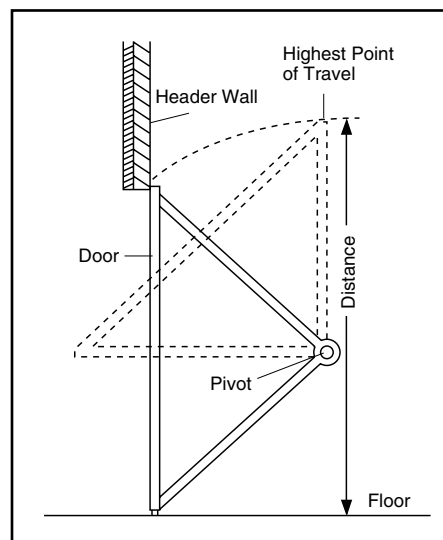
Distance from top of door (at highest point of travel) to floor .....	92"
Actual height of door .....	-88"
Remainder .....	4"
Add .....	+8"
Bracket height on header wall.....	=12"

(Measure UP from top of CLOSED door.)

**Proceed to Step 2, page 10.**



**One-piece door without track:  
jamb hardware**



**One-piece door without track:  
pivot hardware**

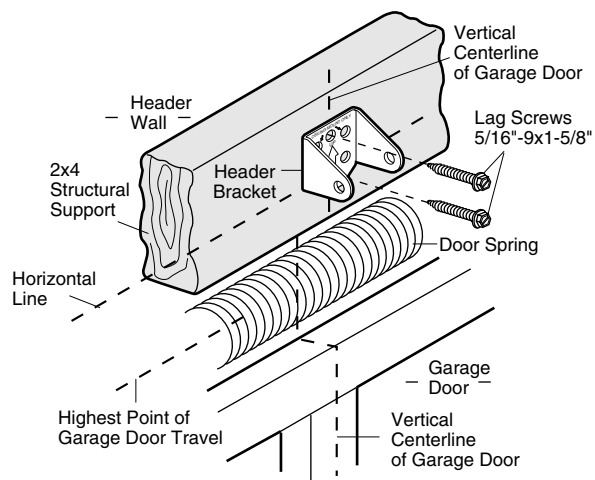
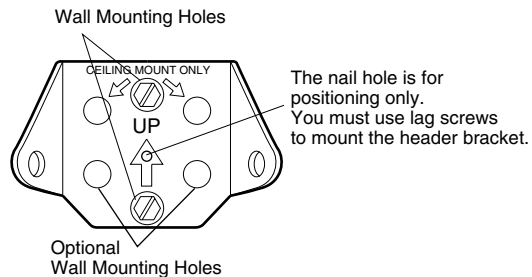
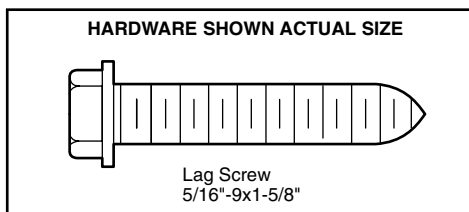
## INSTALLATION STEP 2

### Install the Header Bracket

You can attach the header bracket either to the wall above the garage door, or to the ceiling. Follow the instructions which will work best for your particular requirements. **Do not install the header bracket over drywall. If installing into masonry, use concrete anchors (not provided).**

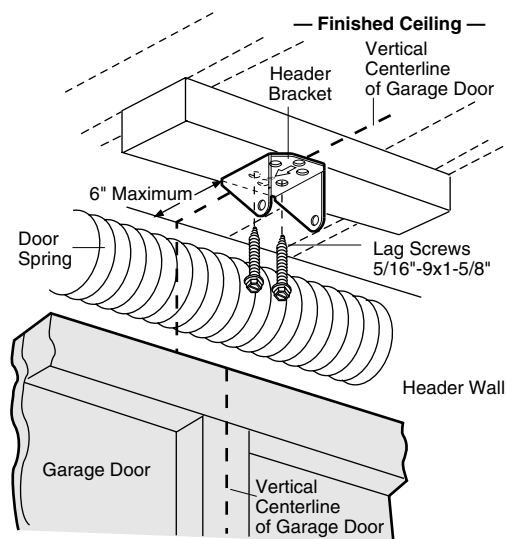
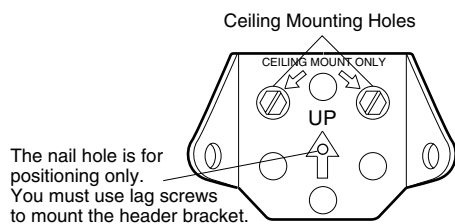
#### WALL HEADER BRACKET INSTALLATION

- Center the bracket on the vertical centerline with the bottom edge of the bracket on the horizontal line as shown (with the arrow pointing toward the ceiling).
- Mark the vertical set of bracket holes (do not use the holes designated for ceiling mount). Drill 3/16" pilot holes and fasten the bracket securely to a structural support with the hardware provided.



#### CEILING HEADER BRACKET INSTALLATION

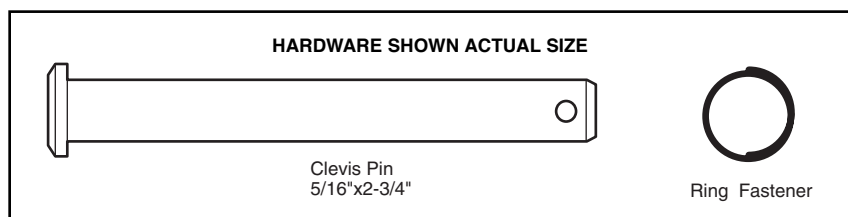
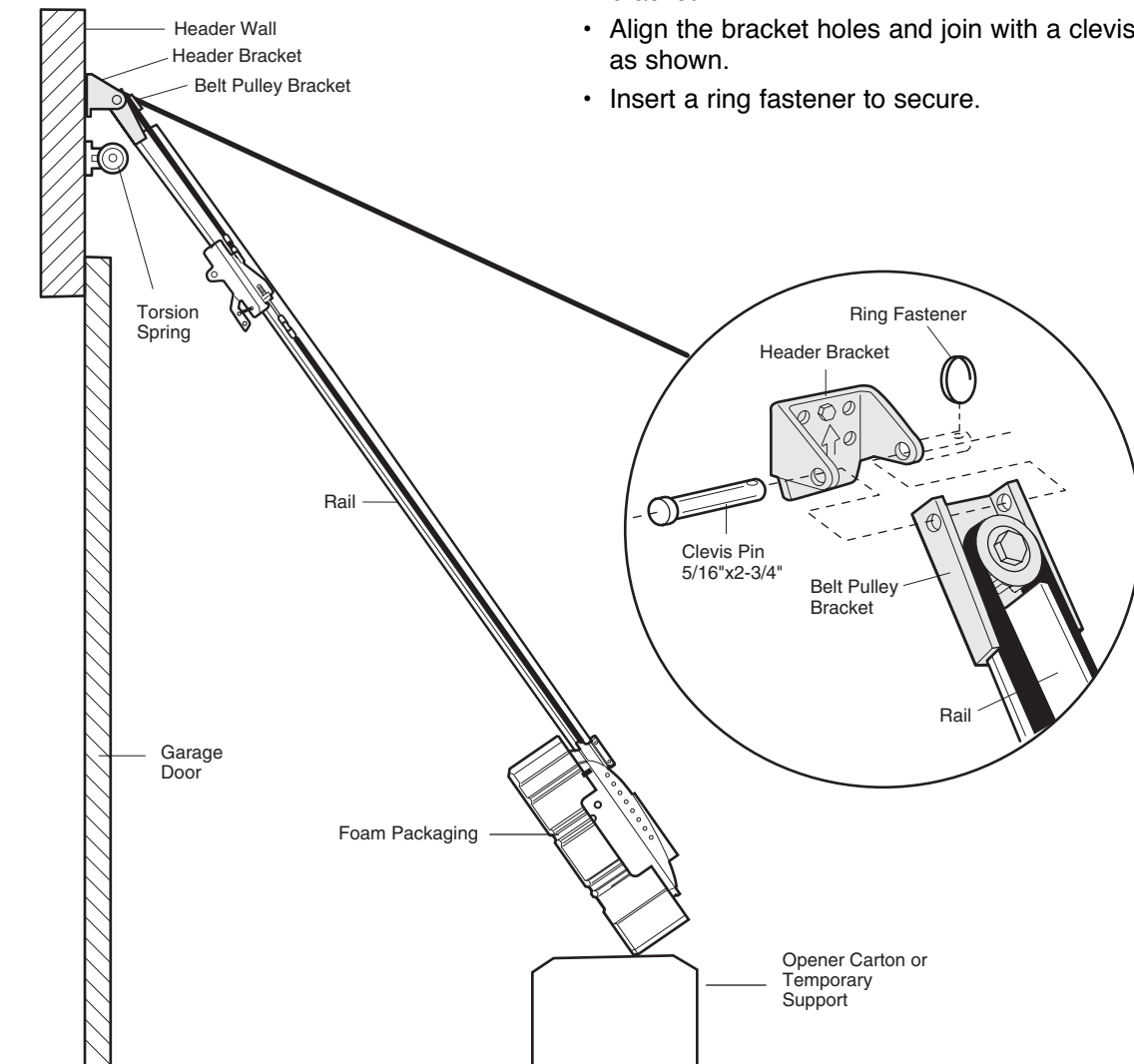
- Extend the vertical centerline onto the ceiling as shown.
- Center the bracket on the vertical mark, no more than 6" from the wall. Make sure the arrow is pointing toward the wall. The bracket can be mounted flush against the ceiling when clearance is minimal.
- Mark the side holes. Drill 3/16" pilot holes and fasten bracket securely to a structural support with the hardware provided.



## INSTALLATION STEP 3

### Attach the Rail to the Header Bracket

- Position the opener on the garage floor below the header bracket. Use packing material as a protective base. **NOTE: If the door spring is in the way you'll need help. Have someone hold the opener securely on a temporary support to allow the rail to clear the spring.**
- Position the rail bracket against the header bracket.
- Align the bracket holes and join with a clevis pin as shown.
- Insert a ring fastener to secure.



## INSTALLATION STEP 4

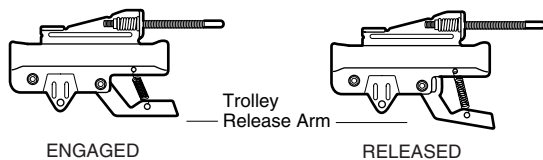
### Position the Opener

Follow instructions which apply to your door type as illustrated.

#### SECTIONAL DOOR OR ONE-PIECE DOOR WITH TRACK

A 2x4 laid flat is convenient for setting an ideal door-to-rail distance.

- Remove foam packaging.
- Raise the opener onto a stepladder. You will need help at this point if the ladder is not tall enough.
- Open the door all the way and place a 2x4 laid flat on the top section beneath the rail.
- If the top section or panel hits the trolley when you raise the door, pull down on the trolley release arm to disconnect inner and outer sections. Slide the outer trolley toward the motor unit. The trolley can remain disconnected until Installation Step 12 is completed.



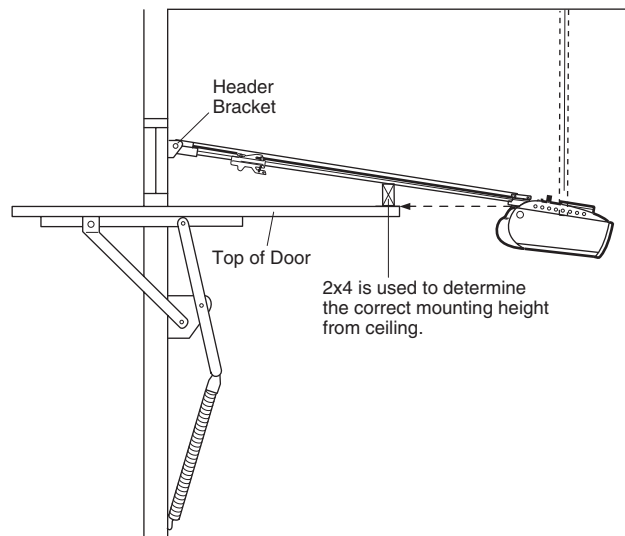
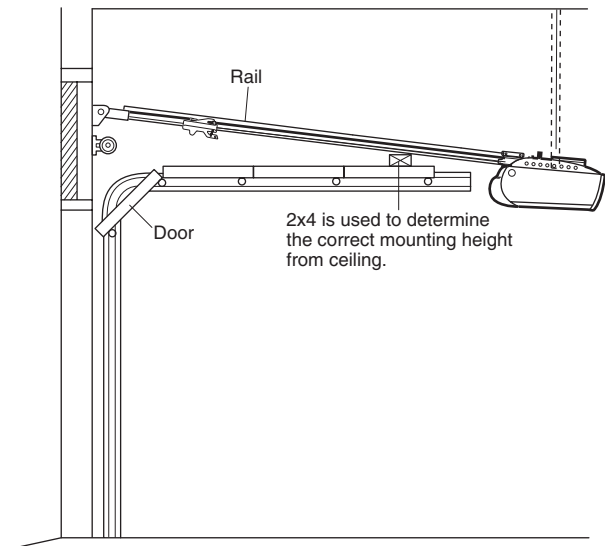
#### ONE-PIECE DOOR WITHOUT TRACK

A 2x4 on its side is convenient for setting an ideal door-to-rail distance.

- Remove foam packaging.
- Raise the opener onto a stepladder. You will need help at this point if the ladder is not tall enough.
- Open the door all the way and place a 2x4 on its side on the top section of the door beneath the rail.
- The top of the door should be level with the top of the motor unit. Do not position the opener more than 4" above this point.

## CAUTION

To prevent damage to garage door, rest garage door opener rail on 2x4 placed on top section of door.



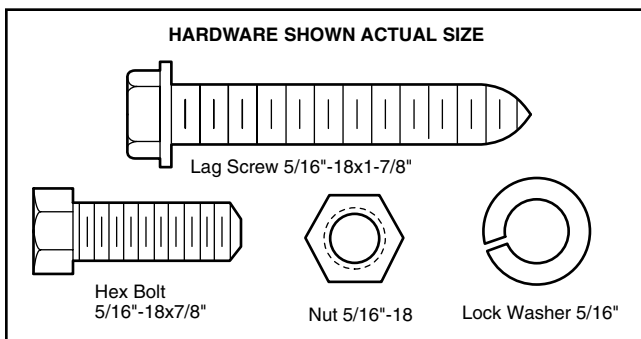
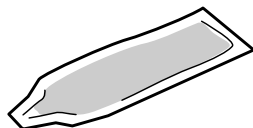
## INSTALLATION STEP 5

### Hang the Opener

Three representative installations are shown. Yours may be different. Hanging brackets should be angled, Figure 1, to provide rigid support. On finished ceilings, Figure 2, attach a sturdy metal bracket to structural supports before installing the opener. This bracket and fastening hardware are not provided.

Existing brackets from a previous installation may be fastened to the sides of the motor unit as in Figures 1 and 2, or to the mounting tabs as shown in Figure 3. Then continue with step 5 below.

1. Measure the distance from each side of the motor unit to the structural support.
2. Cut both pieces of the hanging bracket to required lengths.
3. Drill  $3/16$ " pilot holes in the structural supports.
4. Attach one end of each bracket to a support with  $5/16$ "- $18 \times 1-7/8$ " lag screws.
5. Fasten the opener to the hanging brackets with  $5/16$ "- $18 \times 7/8$ " hex bolts, lock washers and nuts.
6. Check to make sure the rail is centered over the door (or in line with the header bracket if the bracket is not centered above the door).
7. Remove the 2x4. Operate the door manually. If the door hits the rail, raise the header bracket.
8. Grease the top and underside of the rail surface where the trolley slides with rail grease.



## WARNING

To avoid possible **SERIOUS INJURY** from a falling garage door opener, fasten it **SECURELY** to structural supports of the garage. Concrete anchors **MUST** be used if installing any brackets into masonry.

Figure 1

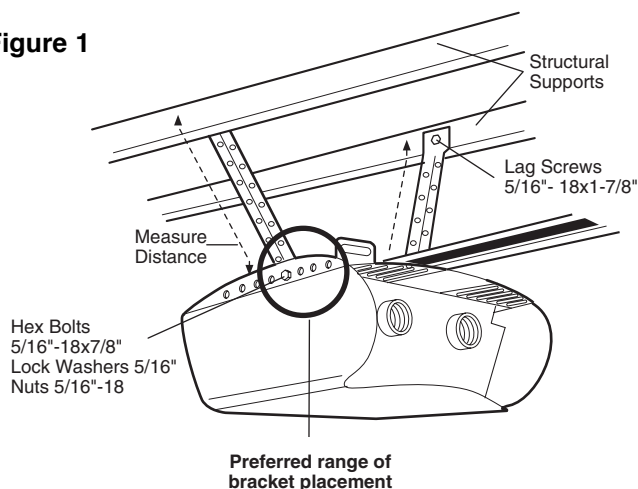


Figure 2

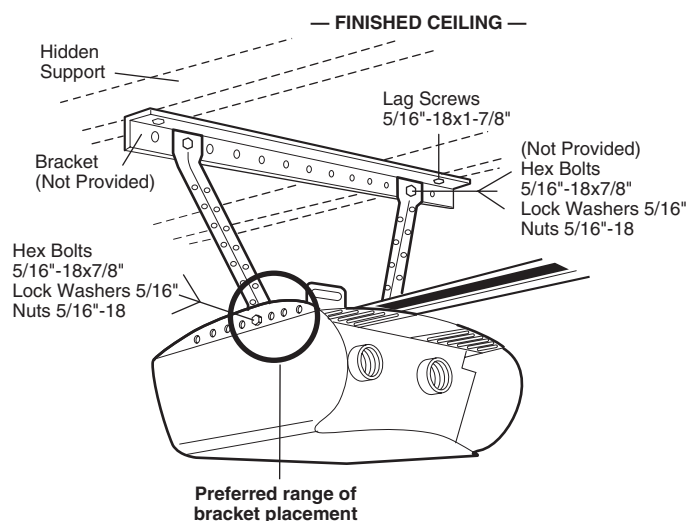
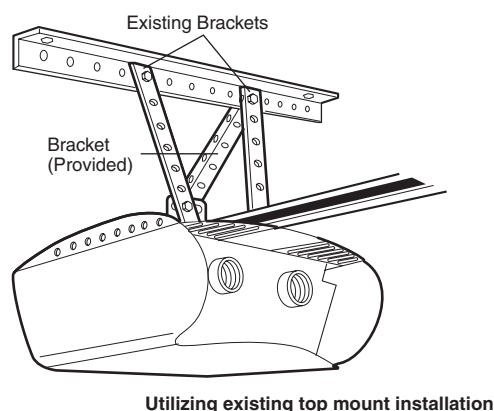


Figure 3



## INSTALLATION STEP 6

### Install the Door Control

Locate door control within sight of the door at a minimum height of 5 feet where small children cannot reach, and away from moving parts of the door and door hardware. The installation surface must be smooth and flat. If installing into drywall (Figure 1), drill 5/32" holes and use anchors provided. For pre-wired installations (as in new home construction), it may be mounted to a single gang box (Figure 2).

**NOTE:** After installation, a green or amber indicator light behind the cover will indicate proper connection. If not lit, the Lock and Light features will not function (reverse wires to correct).

- Strip 7/16" of insulation from one end of bell wire and connect to the two screw terminals on back of door control by color: white wire to WHT and white/red wire to the RED (Figure 3).
- Remove white cover by gently prying on a side corner near the top of the cover with a small flat head screwdriver (Figure 4). Fasten with 6ABx1-1/4" self-tapping screws (drywall installation) or 6-32x1" machine screws (into gang box) as follows:
  - Drill and install bottom screw, allowing 1/8" to protrude above wall surface.
  - Position bottom of door control on screw head and slide down to secure. Adjust screw for snug fit.
  - Install top screw with care to avoid cracking plastic housing. **Do not overtighten.**
  - Insert bottom tabs and snap on cover. (To remove cover after mounting, gently pry on a side corner near the top of the white cover with paper clip or small flat head screwdriver.)

**NOTE:** The push bar may stick if the door control is not mounted on a smooth surface. If a click is not heard when pressing the push bar, loosen the two mounting screws or relocate the door control to a smoother surface.

- (Standard installation only) Run bell wire up wall and across ceiling to motor unit. Use insulated staples to secure wire in several places. Do not pierce wire with a staple, creating a short or open circuit.
- Strip 7/16" of insulation from end of bell wire. Connect bell wire to the quick-connect terminals as follows: white to white and white/red to red (Figure 5).
- Use tacks or staples to permanently attach entrapment warning label to wall near door control, and manual release/safety reverse test label in a prominent location on inside of garage door.

**NOTE:** DO NOT connect the power and operate the opener at this time. The trolley will travel to the full open position but will not return to the close position until the sensor beam is connected and properly aligned. See Safety Reversing Sensor Instructions beginning on page 17.

## ⚠️ WARNING

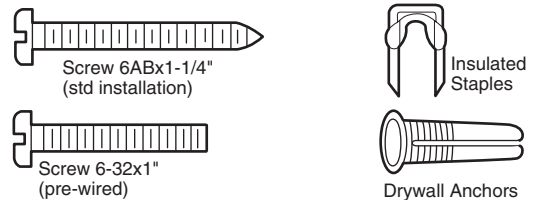
To prevent possible SERIOUS INJURY or DEATH from electrocution:

- Be sure power is not connected BEFORE installing door control.
- Connect ONLY to 24 VOLT low voltage wires.

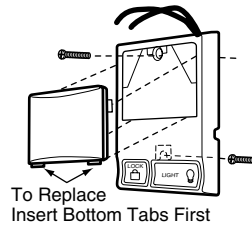
To prevent possible SERIOUS INJURY or DEATH from a closing garage door:

- Install door control within sight of garage door, out of reach of children at a minimum height of 5 feet, and away from all moving parts of door.
- NEVER permit children to operate or play with door control push buttons or remote control transmitters.
- Activate door ONLY when it can be seen clearly, is properly adjusted, and there are no obstructions to door travel.
- ALWAYS keep garage door in sight until completely closed. NEVER permit anyone to cross path of closing garage door.

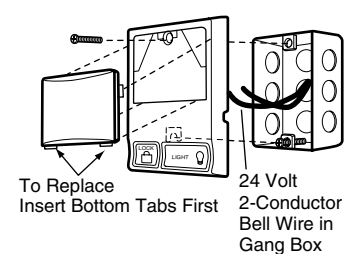
### HARDWARE SHOWN ACTUAL SIZE



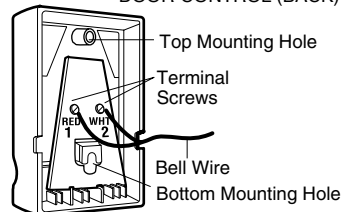
**Figure 1** STANDARD INSTALLATION



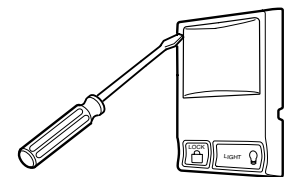
**Figure 2** PRE-WIRED INSTALLATION



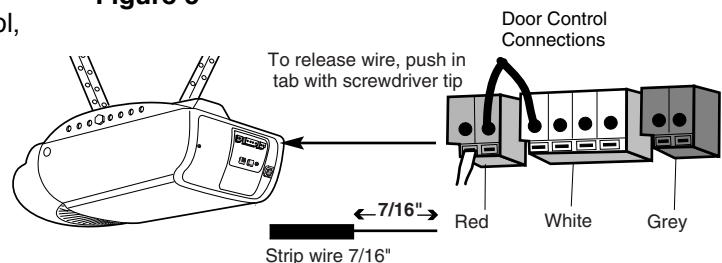
**Figure 3** MULTI-FUNCTION DOOR CONTROL (BACK)



**Figure 4** REMOVE COVER



**Figure 5**

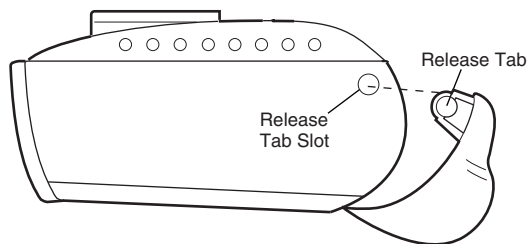
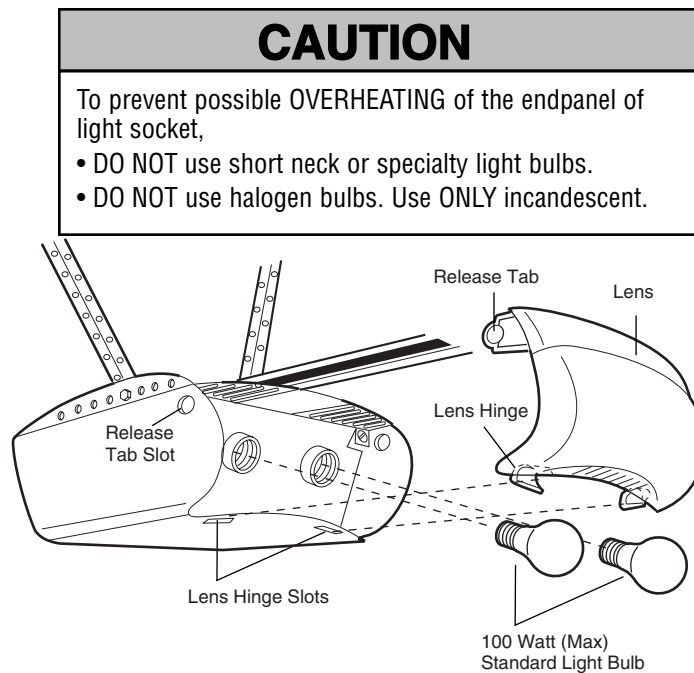


## INSTALLATION STEP 7

### Install the Lights and Lens

Press the release tabs on both sides of lens. Gently rotate lens back and downward until the lens hinge is in the fully open position. Do not remove the lens.

- Install up to a 100 watt maximum light bulb in each socket. The lights will turn ON and remain lit for approximately 4-1/2 minutes when power is connected. Then the lights will turn OFF.
- Reverse the procedure to close the lens.
- If the bulbs burn out prematurely due to vibration, replace with a Garage Door Opener bulb.

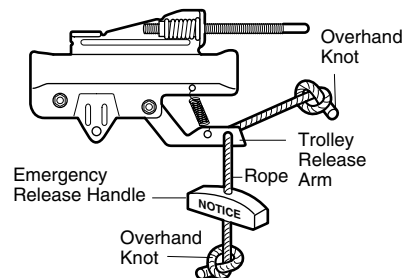
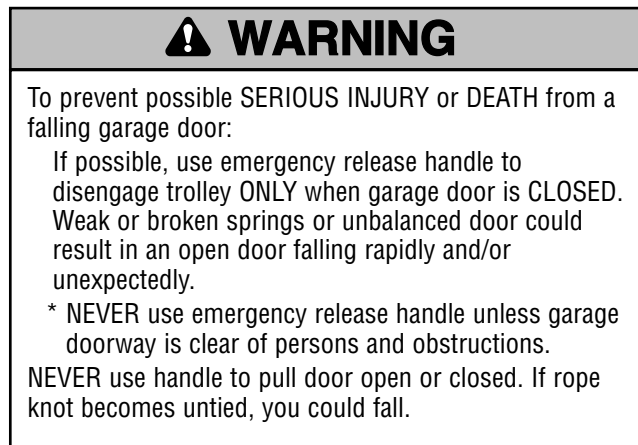


## INSTALLATION STEP 8

### Attach the Emergency Release Rope and Handle

- Thread one end of the rope through the hole in the top of the red handle so "NOTICE" reads right side up as shown. Secure with an overhand knot at least 1" from the end of the rope to prevent slipping.
- Thread the other end of the rope through the hole in the release arm of the outer trolley.
- Adjust rope length so the handle is 6 feet above the floor. Secure with an overhand knot.

**NOTE:** If it is necessary to cut the rope, heat seal the cut end with a match or lighter to prevent unraveling.

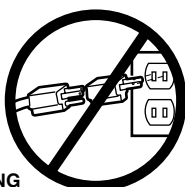
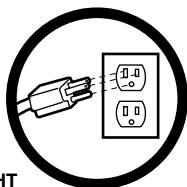


## INSTALLATION STEP 9

### Electrical Requirements

To avoid installation difficulties, do not run the opener at this time.

To reduce the risk of electric shock, your garage door opener has a grounding type plug with a third grounding pin. This plug will only fit into a grounding type outlet. If the plug doesn't fit into the outlet you have, contact a qualified electrician to install the proper outlet.



If permanent wiring is required by your local code, refer to the following procedure.

To make a permanent connection through the 7/8" hole in the top of the motor unit (according to local code):

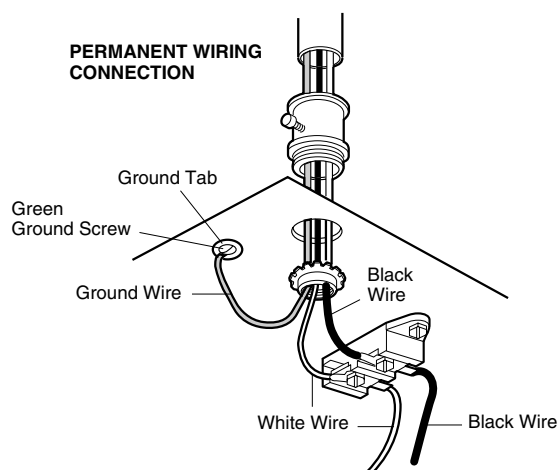
- Remove the motor unit cover screws and set the cover aside.
- Remove the attached 3-prong cord.
- Connect the black (line) wire to the screw on the brass terminal; the white (neutral) wire to the screw on the silver terminal; and the ground wire to the green ground screw. **The opener must be grounded.**
- Reinstall the cover.

To avoid installation difficulties, do not run the opener at this time.

## WARNING

To prevent possible SERIOUS INJURY or DEATH from electrocution or fire:

- Be sure power is not connected to the opener, and disconnect power to circuit BEFORE removing cover to establish permanent wiring connection.
- Garage door installation and wiring MUST be in compliance with all local electrical and building codes.
- NEVER use an extension cord, 2-wire adapter, or change plug in any way to make it fit outlet. Be sure the opener is grounded.





## INSTALLATION STEP 10

### Install The Protector System®

The safety reversing sensor *must* be connected and aligned correctly before the garage door opener will move in the down direction. This is a required safety device and cannot be disabled.

#### IMPORTANT INFORMATION ABOUT THE SAFETY REVERSING SENSOR

When properly connected and aligned, the safety reversing sensor will detect an obstacle in the path of its electronic beam. The sending eye (with an orange indicator light) transmits an invisible light beam to the receiving eye (with a green indicator light). If an obstruction breaks the light beam while the door is closing, the door will stop and reverse to full open position, and the opener lights will flash 10 times.

The units must be installed inside the garage so that the sending and receiving eyes face each other across the door, no more than 6" above the floor. Either can be installed on the left or right of the door as long as the sun never shines directly into the receiving eye lens.

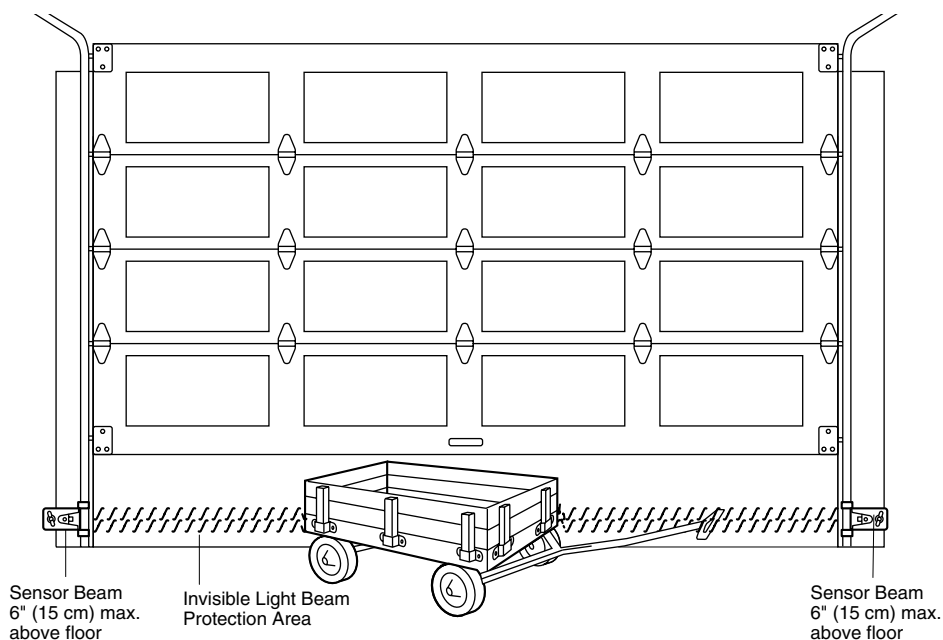
The mounting brackets are designed to clip onto the track of sectional garage doors without additional hardware.

## ⚠ WARNING

- Be sure power is not connected to the garage door opener BEFORE installing the safety reversing sensor.
- To prevent SERIOUS INJURY or DEATH from a closing garage door:
  - Correctly connect and align the safety reversing sensor. This required safety device MUST NOT be disabled.
  - Install the safety reversing sensor so beam is NO HIGHER than 6" above garage floor.

If it is necessary to mount the units on the wall, the brackets must be securely fastened to a solid surface such as the wall framing. Extension brackets (see accessories) are available if needed. If installing in masonry construction, add a piece of wood at each location to avoid drilling extra holes in masonry if repositioning is necessary.

The invisible light beam path must be unobstructed. No part of the garage door (or door tracks, springs, hinges, rollers or other hardware) may interrupt the beam while the door is closing.



Facing the door from inside the garage

## INSTALLING THE BRACKETS

**Be sure power to the opener is disconnected.**

Install and align the brackets so the sensors will face each other across the garage door, with the beam no higher than 6" above the floor. They may be installed in one of three ways, as follows.

### Garage door track installation (preferred):

- Slip the curved arms over the rounded edge of each door track, with the curved arms facing the door. Snap into place against the side of the track. It should lie flush, with the lip hugging the back edge of the track, as shown in Figure 1.

If your door track will not support the bracket securely, wall installation is recommended.

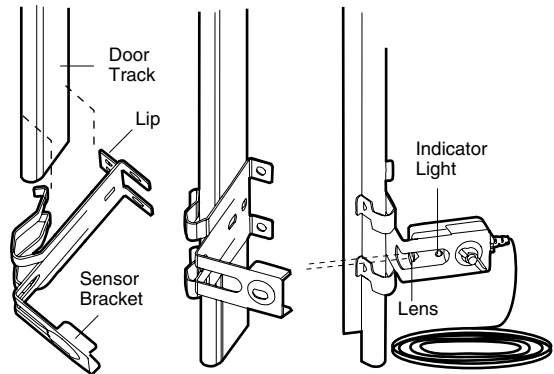
### Wall installation (Figure 2 and 3):

- Place the bracket against the wall with curved arms facing the door. Be sure there is enough clearance for the sensor beam to be unobstructed.
- If additional depth is needed, an extension bracket (See Accessories) or wood blocks can be used.
- Use bracket mounting holes as a template to locate and drill (2) 3/16" diameter pilot holes on the wall at each side of the door, no higher than 6" above the floor.
- Attach brackets to wall with lag screws (Not Provided).
- If using extension brackets or wood blocks, adjust right and left assemblies to the same distance out from the mounting surface. Make sure all door hardware obstructions are cleared.

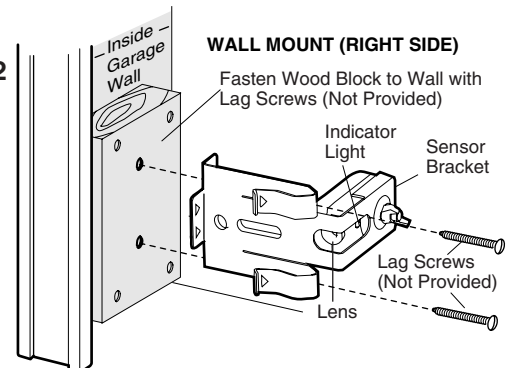
### Floor installation (Figure 4):

- Use wood blocks or extension brackets (See Accessories) to elevate sensor brackets so the lenses will be no higher than 6" above the floor.
- Carefully measure and place right and left assemblies at the same distance out from the wall. Be sure all door hardware obstructions are cleared.
- Fasten to the floor with concrete anchors as shown.

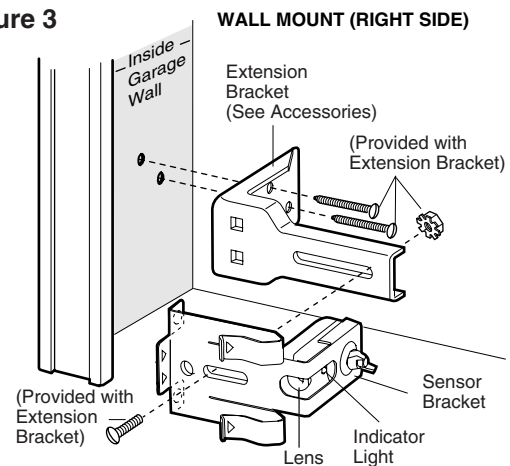
**Figure 1** DOOR TRACK MOUNT (RIGHT SIDE)



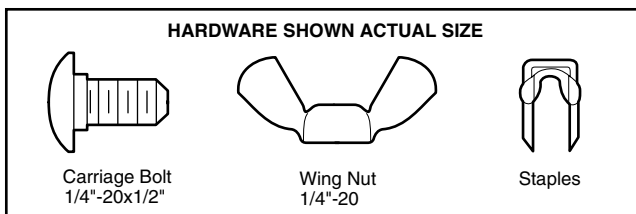
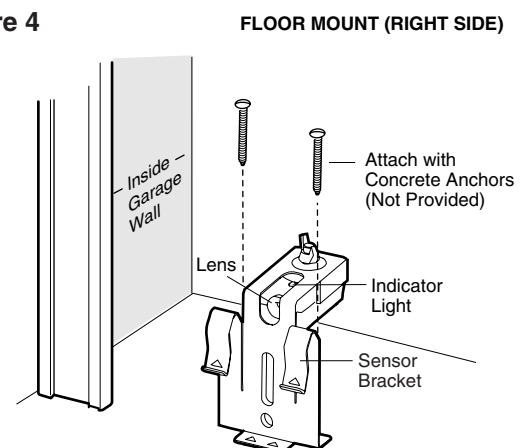
**Figure 2**



**Figure 3**



**Figure 4**



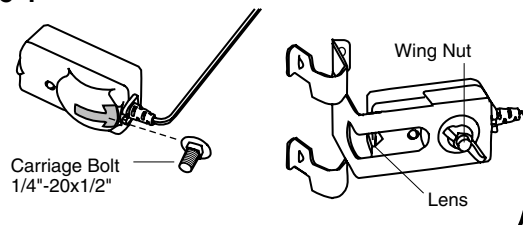
## MOUNTING AND WIRING THE SAFETY SENSORS

- Slide a 1/4"-20x1/2" carriage bolt head into the slot on each sensor. Use wing nuts to fasten sensors to brackets, with lenses pointing toward each other across the door. Be sure the lens is not obstructed by a bracket extension (Figure 4).
- Finger tighten the wing nuts.
- Run the wires from both sensors to the opener. Use insulated staples to secure wire to wall and ceiling.
- Strip 7/16" of insulation from each set of wires. Separate white and white/black wires sufficiently to connect to the opener quick-connect terminals: white to white and white/black to grey (Figure 5).

## ALIGNING THE SAFETY SENSORS

- Plug in the opener. The indicator lights in both the sending and receiving eyes will *glow steadily* if wiring connections and alignment are correct.
- The *sending eye* orange indicator light will glow regardless of alignment or obstruction. If the green indicator light in the *receiving eye* is off, dim, or flickering (and the invisible light beam path is not obstructed), alignment is required.
- Loosen the *sending eye* wing nut and readjust, aiming directly at the *receiving eye*. Lock in place.
  - Loosen the *receiving eye* wing nut and adjust sensor until it receives the sender's beam. When the green indicator light *glows steadily*, tighten the wing nut.

Figure 4

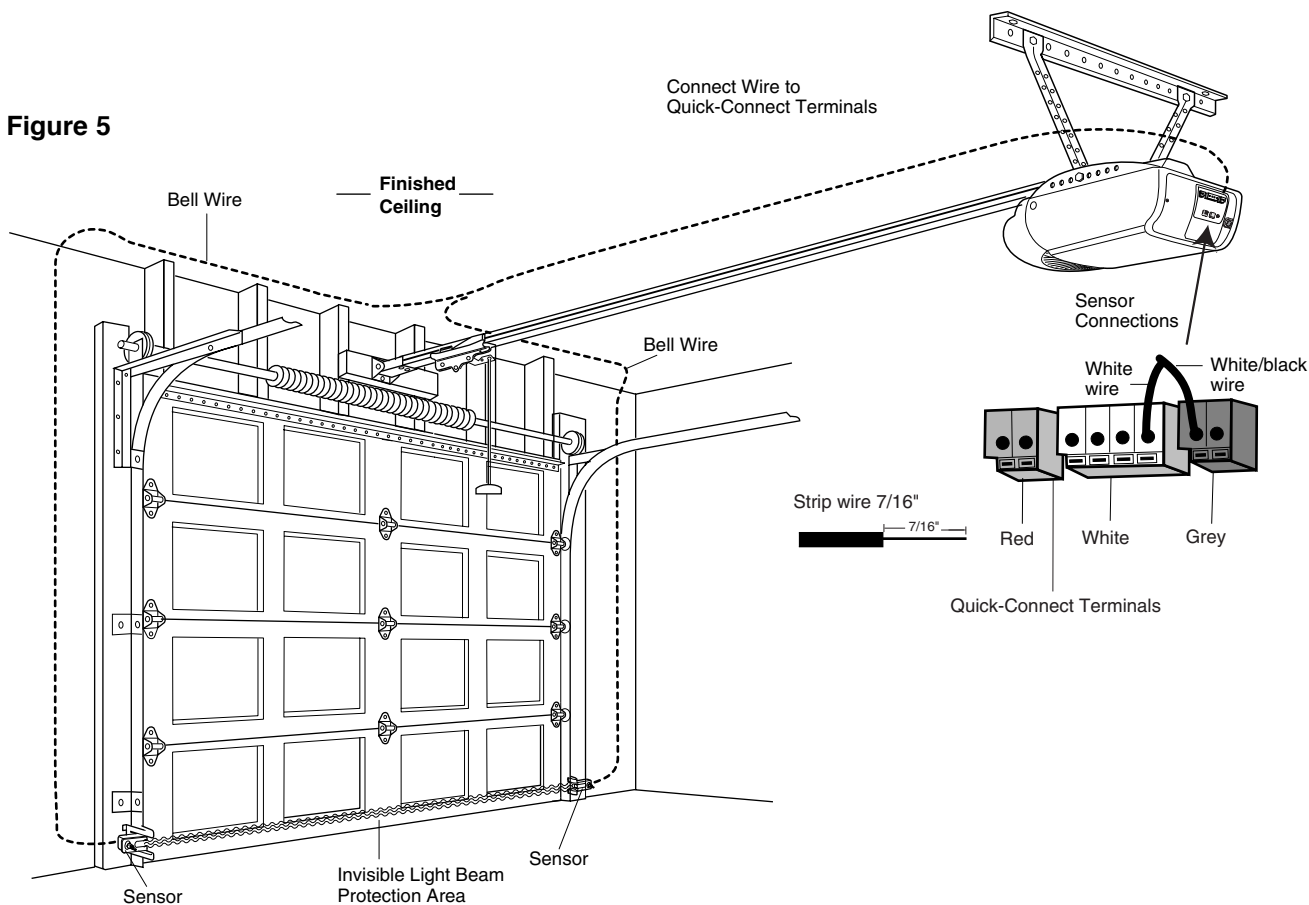


## TROUBLESHOOTING THE SAFETY SENSORS

1. If the *sending eye* indicator light does not *glow steadily* after installation, check for:
  - Electric power to the opener.
  - A short in the white or white/black wires. These can occur at staples, or at opener connections.
  - Incorrect wiring between sensors and opener.
  - A broken wire.
2. If the sending eye indicator light *glows steadily* but the receiving eye indicator light doesn't:
  - Check alignment.
  - Check for an open wire to the *receiving eye*.
3. If the *receiving eye* indicator light is dim, realign sensor.

**NOTE:** When the invisible beam path is obstructed or misaligned while the door is closing, the door will reverse. If the door is already open, it will not close. The opener lights will blink 10 times. (If bulbs are not installed, 10 clicks can be heard.) See page 17.

Figure 5



## INSTALLATION STEP 11

### Fasten the Door Bracket

Follow instructions which apply to your door type as illustrated below or on the following page.

**A horizontal reinforcement brace should be long enough to be secured to two or three vertical supports. A vertical reinforcement brace should cover the height of the top panel.**

Figure 1 shows one piece of angle iron as the horizontal brace. For the vertical brace, 2 pieces of angle iron are used to create a U-shaped support. The best solution is to check with your garage door manufacturer for an opener installation door reinforcement kit.

**NOTE:** Many door reinforcement kits provide for direct attachment of the clevis pin and door arm. In this case you will not need the door bracket; proceed to Step 12.

### SECTIONAL DOORS

1. Center the door bracket on the previously marked vertical centerline used for the header bracket installation. Note correct UP placement, as stamped inside the bracket.
2. Position the top edge of the bracket 2"-4" below the top edge of the door, OR directly below any structural support across the top of the door.
3. Mark, drill holes and install as follows, depending on your door's construction:

**Metal or light weight doors using a vertical angle iron brace between the door panel support and the door bracket:**

- Drill 3/16" fastening holes. Secure the door bracket using the two 1/4"-14x5/8" self-threading screws. (Figure 2A)
- Alternately, use two 5/16" bolts, lock washers and nuts (not provided). (Figure 2B)

**Metal, insulated or light weight factory reinforced doors:**

- Drill 3/16" fastening holes. Secure the door bracket using the self-threading screws (Figure 3).

### Wood Doors:

- Use top and bottom or side to side door bracket holes. Drill 5/16" holes through the door and secure bracket with 5/16"x2" carriage bolts, lock washers and nuts (not provided). (Figure 4)

**NOTE:** The 1/4"-14x5/8" self-threading screws are not intended for use on wood doors.



## CAUTION

To prevent damage to garage door, reinforce inside of door with angle iron both vertically and horizontally.

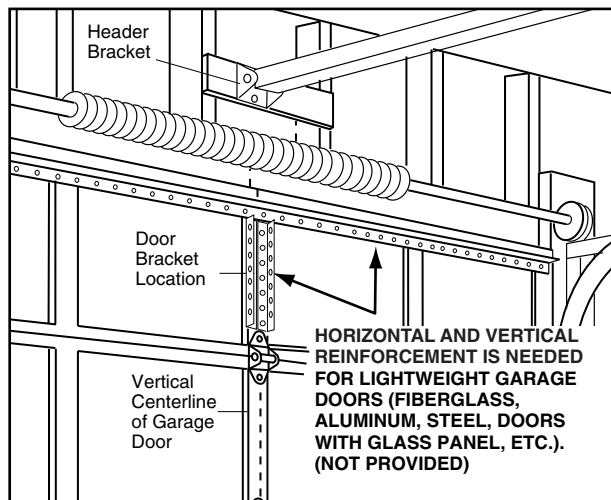


Figure 1

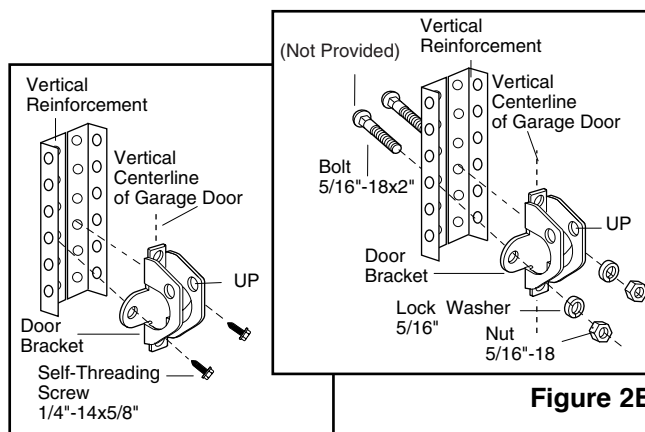


Figure 2A

Figure 2B

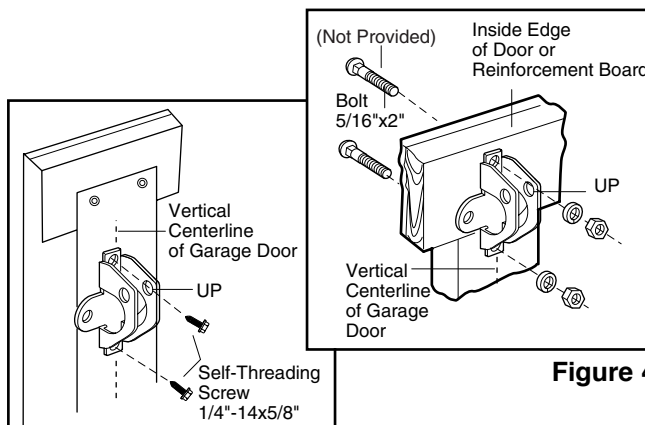


Figure 3

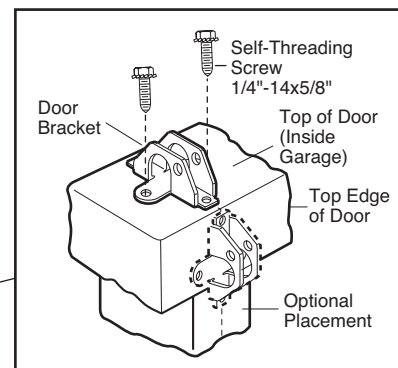
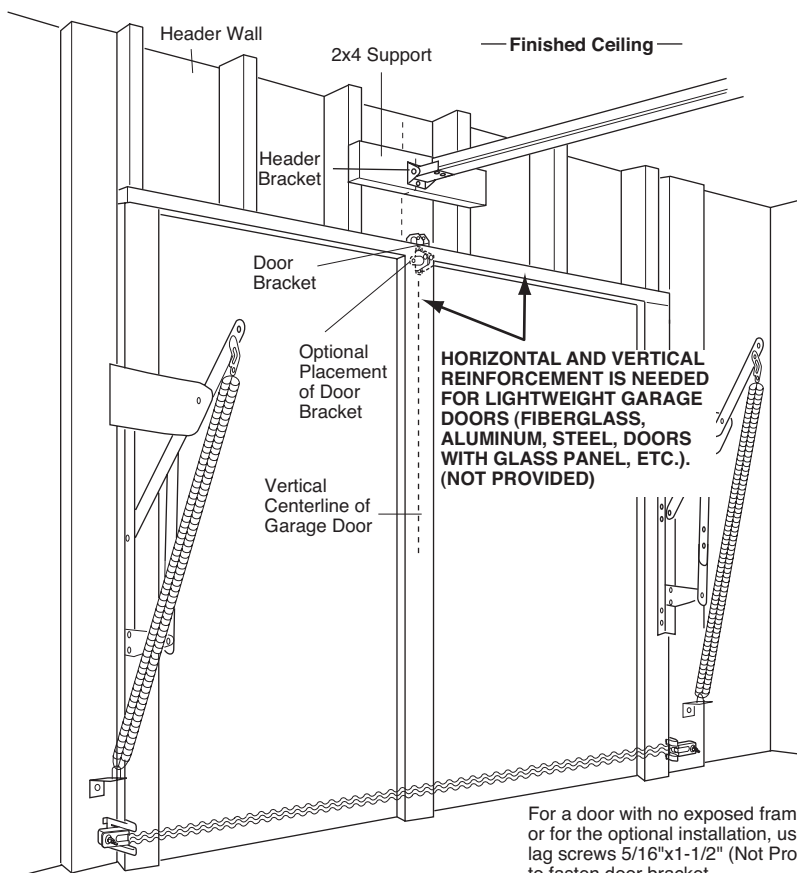
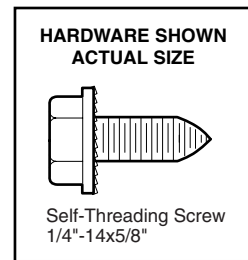
Figure 4

## ONE-PIECE DOORS

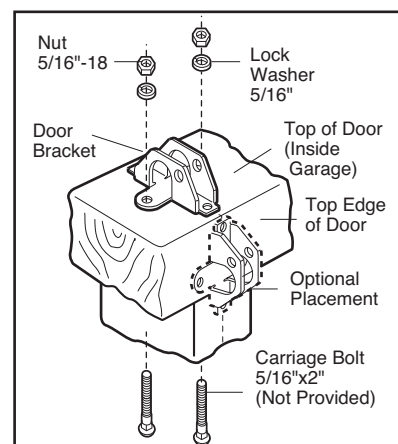
Please read and comply with the warnings and reinforcement instructions on the previous page. They apply to one-piece doors also.

- Center the door bracket on the top of the door, in line with the header bracket as shown. Mark either the left and right, or the top and bottom holes.
- **Metal Doors:** Drill 3/16" pilot holes and fasten the bracket with the 1/4"-14x5/8" self-threading screws provided.
- **Wood Doors:** Drill 5/16" holes and use 5/16"x2" carriage bolts, lock washers and nuts (not provided) or 5/16"x1-1/2" lag screws (not provided) depending on your installation needs.

**NOTE:** The door bracket may be installed on the top edge of the door if required for your installation. (Refer to the dotted line optional placement drawing.)



**METAL DOOR**



**WOOD DOOR**

## INSTALLATION STEP 12

### Connect Door Arm to Trolley

Follow instructions which apply to your door type as illustrated below and on the following page.

#### SECTIONAL DOORS ONLY

Make sure garage door is fully closed. Pull the emergency release handle to disconnect the outer trolley from the inner trolley. Slide the outer trolley back (away from the door) about 2" as shown in Figures 1, 2 and 3.

- **Figure 1:**

- Fasten straight door arm section to outer trolley with the 5/16"x1" clevis pin. Secure the connection with a ring fastener.
- Fasten curved section to the door bracket in the same way, using the 5/16"x1-1/4" clevis pin.

- **Figure 2:**

- Bring arm sections together. Find two pairs of holes that line up and join sections. Select holes as far apart as possible to increase door arm rigidity.

- **Figure 3, Hole alignment alternative:**

- If holes in curved arm are above holes in straight arm, disconnect straight arm. Cut about 6" from the solid end. Reconnect to trolley with cut end down as shown.
  - Bring arm sections together.
  - Find two pairs of holes that line up and join with bolts, lock washers and nuts.
- Pull the emergency release handle toward the opener at a 45° angle so that the trolley release arm is horizontal. Proceed to Adjustment Step 1, page 24. Trolley will re-engage automatically when opener is operated.

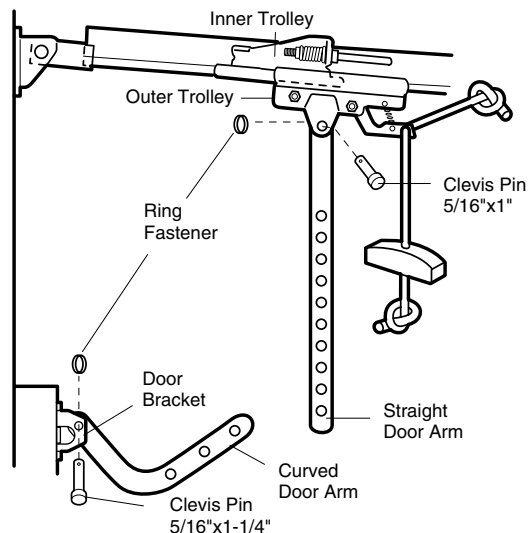


Figure 1

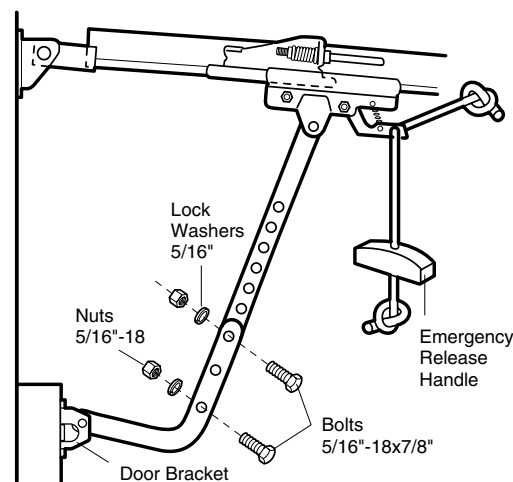


Figure 2

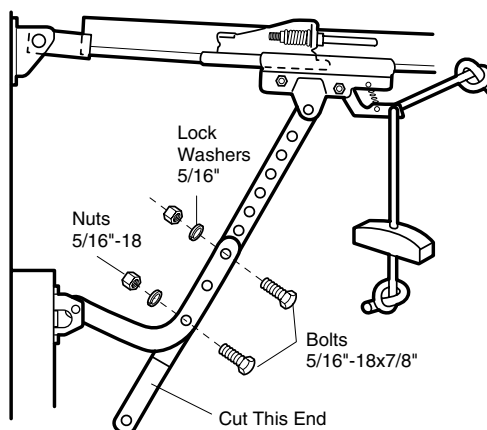
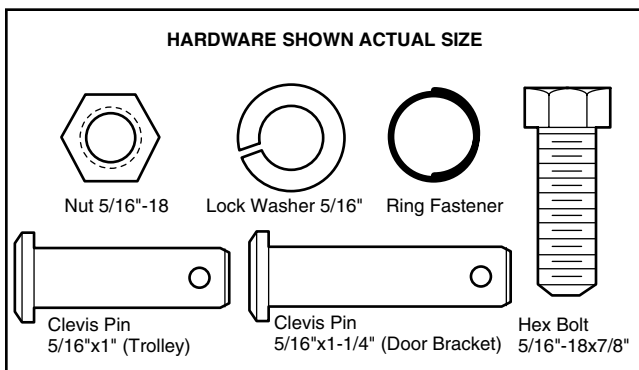
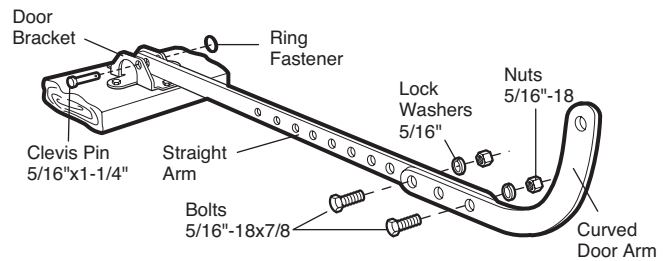


Figure 3

## ALL ONE-PIECE DOORS

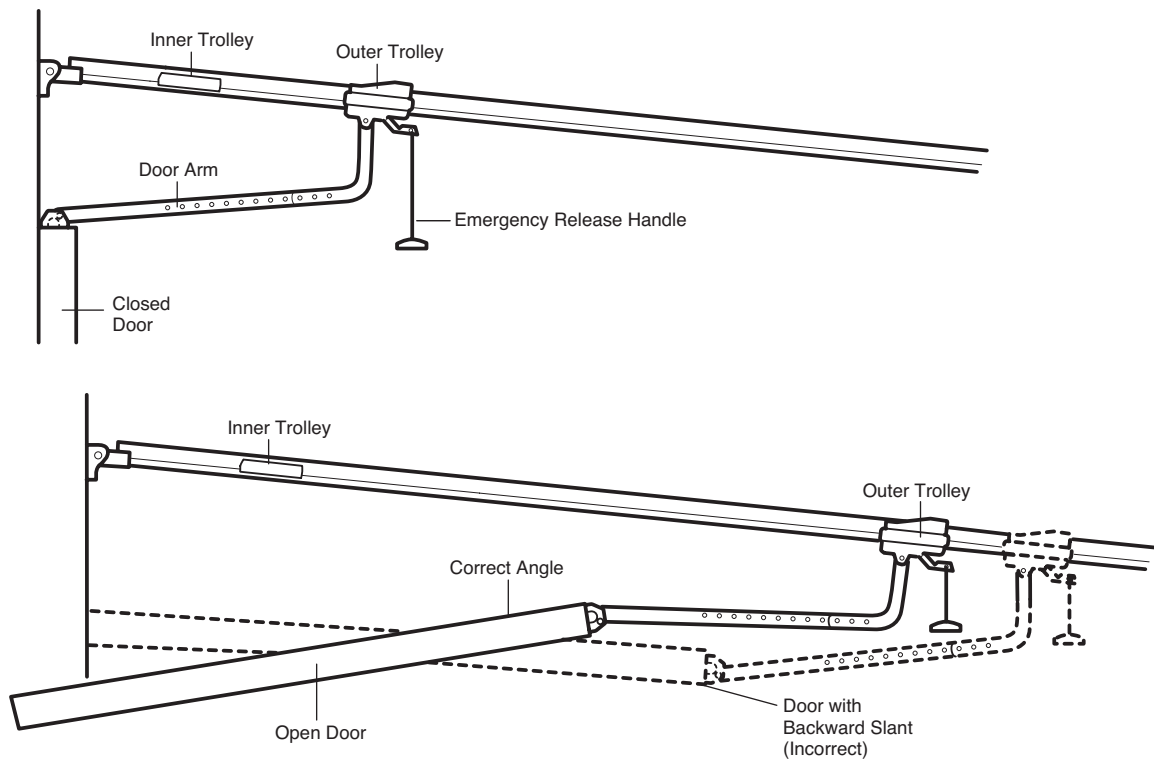
### 1. Assemble the Door Arm:

- Fasten the straight and curved door arm sections together to the longest possible length (with a 2 or 3 hole overlap).
- Make sure the garage door is fully closed. Connect the straight door arm section to the door bracket with the 5/16"x1-1/4" clevis pin.
- Secure with a ring fastener.
- Pull the emergency release handle, disconnecting the outer trolley from the inner trolley by pulling straight down on the emergency release handle and sliding the outer trolley back toward the motor unit.
- Connect the curved door arm section to the trolley using the 5/16"x1-1/4" clevis pin and ring fastener.



### NOTE: Adjusting the limits on the following page:

- The trolley will automatically connect. If not, review the trolley lockout feature on page 28.
- When setting the up limit on the following page, the door should not have a "backward" slant when fully open as illustrated below. A slight backward slant will cause unnecessary bucking and/or jerking operation as the door is being opened or closed from the fully open position.



## ADJUSTMENT STEP 1

### Program the Travel Limits

Travel limits regulate the points at which the door will stop when moving up or down. Follow the steps below to set the limits.

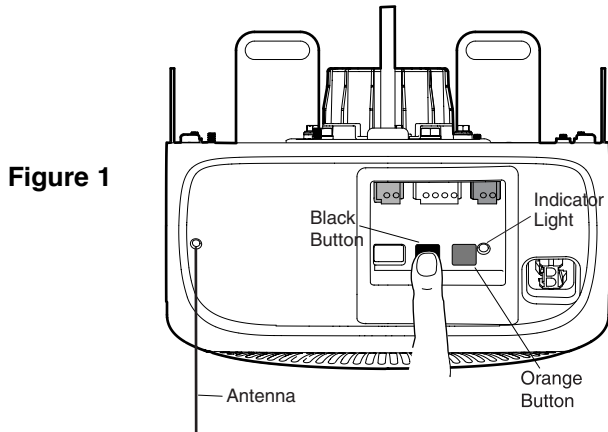


Figure 1

#### To program the travel limits:

1. Press and hold the black button until the yellow indicator light starts flashing slowly then release.
2. Push and hold the black button until the door reaches the desired UP (open) position (Figure 2). Adjust the position of the door by using the black and orange buttons. Black moves the door UP (open) and orange moves the door DOWN (close).

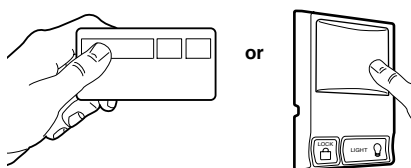
Check to be sure the door opens high enough for your vehicle.

**NOTE:** Refer to previous page for correct door position for one-piece door.

3. Push the remote control or door control (Figure 3). This sets the UP (open) limit and begins closing the door. Press either the black or orange button before the door hits the floor. The door will stop. Adjust the desired DOWN (close) limit position using the black and orange buttons (Figure 4). Check to be sure the door is fully closed without applying excessive pressure on the rail (rail should not bow upwards and the belt should not sag or droop below the rail). Push the remote control or door control (Figure 3). This sets the DOWN (close) limit and begins opening the door.

**NOTE:** If neither the black or the orange button is pressed, the door will reverse off the floor and the DOWN travel limit will be set automatically.

Figure 3



## WARNING

Without a properly installed safety reversal system, persons (particularly small children) could be SERIOUSLY INJURED or KILLED by a closing garage door.

- Incorrect adjustment of garage door travel limits will interfere with proper operation of safety reversal system.
- NEVER use force adjustments to compensate for a binding or sticking garage door.
- If one control (force or travel limits) is adjusted, the other control may also need adjustment.
- After ANY adjustments are made, the safety reversal system MUST be tested. Door MUST reverse on contact with 1-1/2" high object (or 2x4 laid flat) on floor.

## CAUTION

To prevent damage to vehicles, be sure fully open door provides adequate clearance.

Figure 2

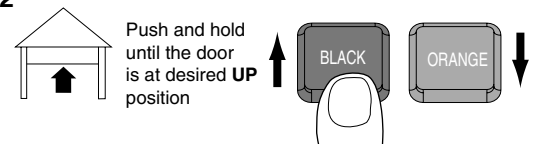
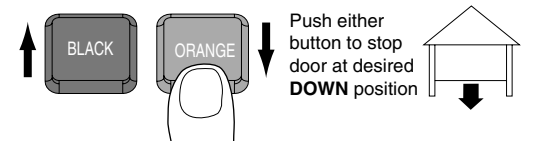


Figure 4



4. Open and close the door with the remote control or door control 2 or 3 times.
  - If the door does not stop in the desired UP (open) position or reverses before the door stops at the DOWN (close) position, proceed to Adjustment Step 2 Setting the Force.
  - If the door stops in both the desired UP (open) and DOWN (close) positions, proceed to Adjustment Step 3, Test the Safety Reversal System.



## ADJUSTMENT STEP 2

### Setting the Force

The force setting button is located on the back panel of the motor unit. The force setting measures the amount of force required to open and close the door.

1. Locate the orange button on the back panel of unit (Figure 1).
2. Push the orange button twice to enter unit into Force Adjustment Mode (Figure 2). The LED (Indicator Light) will flash quickly.
3. Push the remote control or door control (Figure 3). The door will travel to the DOWN (close) position. Push the remote control or door control again, the door will travel to the UP (open) position. Push the remote control or door control a third time to send the door to the DOWN (close) position.

The LED (Indicator Light) will stop flashing when the force has been learned.

The unit has learned the forces required to open and close your door.

The door must travel through a complete cycle, UP and DOWN, in order for the force to be set properly. If the unit cannot open and close your door fully, inspect your door to insure that it is balanced properly and is not sticking or binding. See page 3, "Preparing your garage door."

## ⚠ WARNING

Without a properly installed safety reversal system, persons (particularly small children) could be SERIOUSLY INJURED or KILLED by a closing garage door.

- Too much force on garage door will interfere with proper operation of safety reversal system.
- NEVER increase force beyond minimum amount required to close garage door.
- NEVER use force adjustments to compensate for a binding or sticking garage door.
- If one control (force or travel limits) is adjusted, the other control may also need adjustment.
- After ANY adjustments are made, the safety reversal system MUST be tested. Door MUST reverse on contact with 1-1/2" high object (or 2x4 laid flat) on floor.

Figure 1

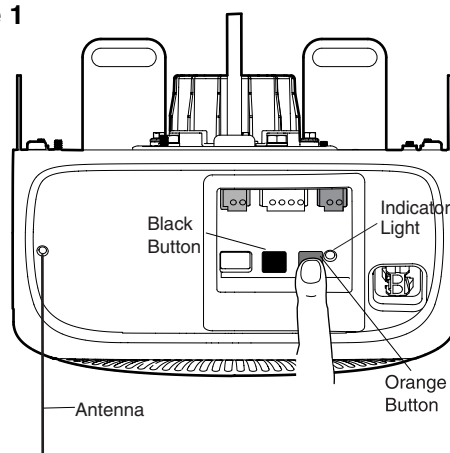


Figure 2

Push Orange button twice to enter unit into **Force Adjustment Mode**

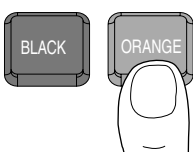
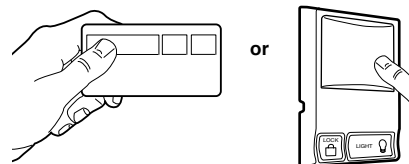


Figure 3



## ADJUSTMENT STEP 3

### Test the Safety Reversal System

#### TEST

- With the door fully open, place a 1-1/2" board (or a 2x4 laid flat) on the floor, centered under the garage door.
- Operate the door in the down direction. The door **must** reverse on striking the obstruction. Upon successful safety reversal test proceed to *Adjustment Step 4*.

#### ADJUST

- If the door stops on the obstruction, it is not traveling far enough in the down direction. Complete Adjustment Steps 1 and 2 Programming the Limits and Forces.

**NOTE:** On a sectional door, make sure limit adjustments do not force the door arm beyond a straight up and down position. See Figure 3, page 22.

- Repeat the test.
- When the door reverses on the 1-1/2" board (or 2x4 laid flat), remove the obstruction and run the opener through 3 or 4 complete travel cycles to test adjustment.
- If the unit continues to fail the Safety Reverse Test, call for a trained door systems technician.

#### IMPORTANT SAFETY CHECK:

Test the Safety Reverse System after:

- Each adjustment of door arm length, limits, or force controls.
- Any repair to or adjustment of the garage door (including springs and hardware).
- Any repair to or buckling of the garage floor.
- Any repair to or adjustment of the opener.

## ADJUSTMENT STEP 4

### Test The Protector System®

- Press the remote control push button to open the door.
- Place the opener carton in the path of the door.
- Press the remote control push button to close the door. The door will not move more than an inch, and the opener lights will flash.

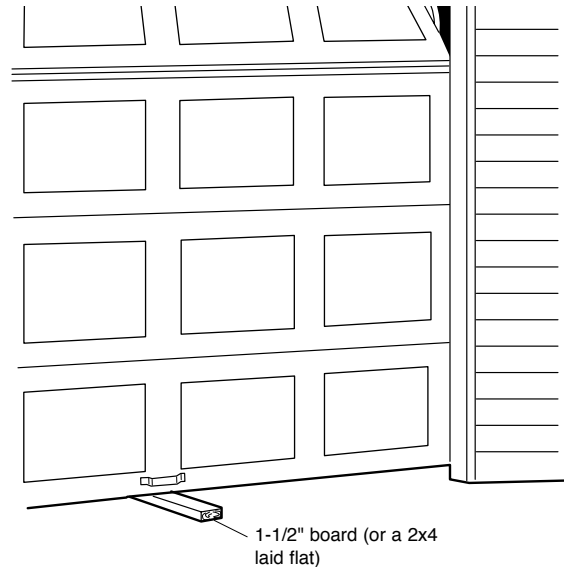
The garage door opener will not close from a remote if the indicator light in either sensor is off (alerting you to the fact that the sensor is misaligned or obstructed).

**If the opener closes the door when the safety reversing sensor is obstructed (and the sensors are no more than 6" above the floor), call for a trained door systems technician.**

## ⚠ WARNING

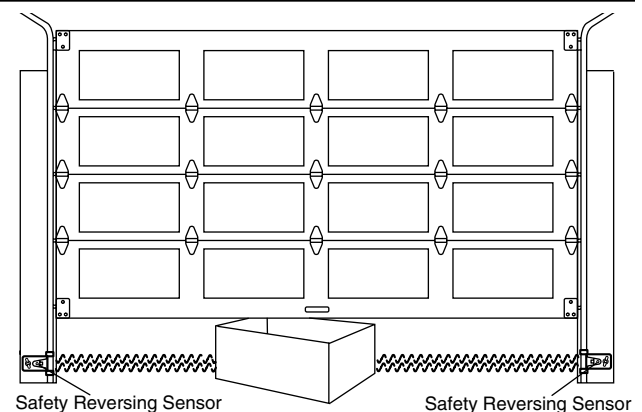
Without a properly installed safety reversal system, persons (particularly small children) could be **SERIOUSLY INJURED** or **KILLED** by a closing garage door.

- Safety reversal system **MUST** be tested every month.
- If one control (force or travel limits) is adjusted, the other control may also need adjustment.
- After **ANY** adjustments are made, the safety reversal system **MUST** be tested. Door **MUST** reverse on contact with 1-1/2" high object (or 2x4 laid flat) on the floor.



## ⚠ WARNING

Without a properly installed safety reversing sensor, persons (particularly small children) could be **SERIOUSLY INJURED** or **KILLED** by a closing garage door.



## OPERATION

# IMPORTANT SAFETY INSTRUCTIONS

## ⚠ WARNING

### To reduce the risk of severe injury or death:

1. READ AND FOLLOW ALL WARNINGS AND INSTRUCTIONS.
2. ALWAYS keep remote controls out of reach of children. NEVER permit children to operate or play with garage door control push buttons or remote controls.
3. ONLY activate garage door when it can be seen clearly, it is properly adjusted, and there are no obstructions to door travel.
4. ALWAYS keep garage door in sight until completely closed. NO ONE SHOULD CROSS THE PATH OF THE MOVING DOOR.
5. NO ONE SHOULD GO UNDER A STOPPED, PARTIALLY OPEN DOOR.
6. If possible, use emergency release handle to disengage trolley ONLY when garage door is CLOSED. Weak or broken springs or unbalanced door could result in an open door falling rapidly and/or unexpectedly.
7. NEVER use emergency release handle unless garage doorway is clear of persons and obstructions.
8. NEVER use handle to pull garage door open or closed. If rope knot becomes untied, you could fall.
9. If one control (force or travel limits) is adjusted, the other control may also need adjustment.
10. After ANY adjustments are made, the safety reversal system MUST be tested.
11. Safety reversal system MUST be tested every month. Garage door MUST reverse on contact with 1-1/2" high object (or a 2x4 laid flat) on the floor.
12. ALWAYS KEEP GARAGE DOOR PROPERLY BALANCED (see page 3). An improperly balanced door may not reverse when required and could result in SEVERE INJURY or DEATH.
13. All repairs to cables, spring assemblies and other hardware, all of which are under EXTREME tension, MUST be made by a trained door systems technician.
14. ALWAYS disconnect electric power to garage door opener BEFORE making any repairs or removing covers.
15. **SAVE THESE INSTRUCTIONS.**

### Using Your Garage Door Opener

Your Security+® opener and hand-held remote control have been factory programmed to a matching code which changes with each use, randomly accessing over 100 billion new codes. Your opener will operate with several Security+® remote controls utilizing up to 12 functions, and one Security+® Keyless Entry System. If you purchase a new remote, or if you wish to deactivate any remote, follow the instructions in the *Programming* section.

#### Activate your opener with any of the following:

- *The hand-held Remote Control:* Hold the large push button down until the door starts to move.
- *The wall-mounted Door Control:* Hold the push bar down until the door starts to move.
- *The Keyless Entry (See Accessories):* If provided with your garage door opener, it must be programmed before use. See *Programming*.

#### When the opener is activated (with the safety reversing sensor correctly installed and aligned)

1. If open, the door will close. If closed, it will open.
2. If closing, the door will reverse.
3. If opening, the door will stop.
4. If the door has been stopped in a partially open position, it will close.
5. If obstructed while closing, the door will reverse. If the obstruction interrupts the sensor beam, the opener lights will blink for five seconds.

6. If obstructed while opening, the door will stop.
7. If fully open, the door will not close when the beam is broken. The sensor has no effect in the opening cycle.

If the sensor is not installed, or is misaligned, the door won't close from a hand-held remote. However, you can close the door with the Door Control, the Outside Keylock, or Keyless Entry, *if you activate them until down travel is complete*. If you release them too soon, the door will reverse.

**The opener lights** will turn on under the following conditions: when the opener is initially plugged in; when power is restored after interruption; when the opener is activated.

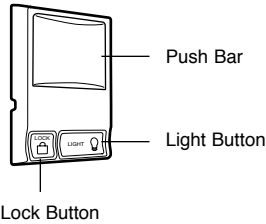
They will turn off automatically after 4-1/2 minutes or provide constant light when the Light feature on the Multi-Function Door Control is activated. Bulb size is 100 watts maximum.

**Security+® light feature:** Lights will also turn on when someone walks through the open garage door. With a Multi-Function Door Control, this feature may be turned off as follows: Push and hold the light button for 10 seconds and the incandescent light bulbs will blink once signifying the feature is turned OFF. To turn the feature back ON push and hold the light button and the incandescent light bulbs will blink once signifying the feature is turned ON.

## Using the Wall-Mounted Door Control

### THE MULTI-FUNCTION DOOR CONTROL

Press the push bar to open or close the door. Press again to reverse the door during the closing cycle or to stop the door while it's opening.



#### Light feature

Press the Light button to turn the opener light on or off. It will not control the opener lights when the door is in motion. If you turn it on and then activate the opener, the light will remain on for 4-1/2 minutes. Press again to turn it off sooner.

#### Lock feature

Designed to prevent operation of the door from hand-held remote controls. However, the door will open and close from the Door Control, the Outside Keylock and the Keyless Entry Accessories.

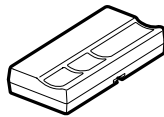
To activate, press and hold the Lock button for 2 seconds. The push bar light will flash as long as the Lock feature is on.

To turn off, press and hold the Lock button again for 2 seconds. The push bar light will stop flashing. The Lock feature will also turn off whenever the "Learn" button on the motor unit panel is activated.

#### Additional features when used with the 3-Button hand-held remote

##### A) To control the opener lights:

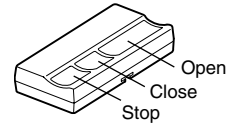
In addition to operating the door, you may program the remote to operate the lights.



1. With the door closed, press and hold a small remote button that you want to control the light.
2. Press and hold the Light button on the door control.
3. While holding the Light button, press and hold the Lock button on the door control.
4. After the opener lights flash, release all buttons.

B) To operate one door using all three buttons on the hand-held remote:

You may program the remote to open the door with the large button, close it with the middle button, and stop the door's movement with the third button.



**NOTE:** If remote is already programmed, you must first erase all codes. See Programming.

1. With the door closed, press and hold the large remote push button.
2. Press and hold the Lock button on the door control for a minimum of one second before proceeding to next step.
3. Press and hold the door control push bar.
4. After the opener lights flash, release all buttons.

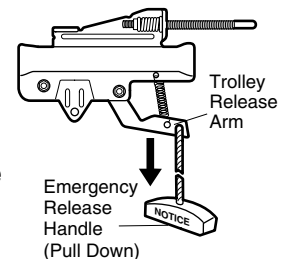
## To Open the Door Manually

### ⚠ WARNING

To prevent possible SERIOUS INJURY or DEATH from a falling garage door:

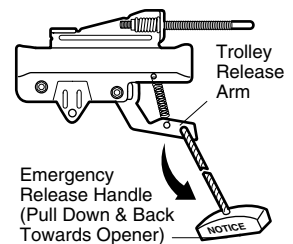
- If possible, use emergency release handle to disengage trolley ONLY when garage door is CLOSED. Weak or broken springs or unbalanced door could result in an open door falling rapidly and/or unexpectedly.
  - NEVER use emergency release handle unless garage doorway is clear of persons and obstructions.
- NEVER use handle to pull door open or closed. If rope knot becomes untied, you could fall.

The door should be fully closed if possible. Pull down on the emergency release handle and lift the door manually. To reconnect the door to the opener, press the door control push bar.



#### MANUAL DISCONNECT POSITION

The *lockout feature* prevents the trolley from reconnecting automatically. Pull the emergency release handle down and back (toward the opener). The door can then be raised and lowered manually as often as necessary. To disengage the lockout feature, pull the handle straight down. The trolley will reconnect on the next UP or DOWN operation.



#### LOCKOUT POSITION

---

## CARE OF YOUR OPENER

### MAINTENANCE SCHEDULE

#### *Once a Month*

- Manually operate door. If it is unbalanced or binding, call a trained door systems technician.
- Check to be sure door opens & closes fully. Adjust limits and/or force if necessary. (See pages 24 and 25)
- Repeat the safety reverse test. Make any necessary adjustments. (See Adjustment Step 3)

#### *Once a Year*

- Oil door rollers, bearings and hinges. The opener does not require additional lubrication. Do not grease the door tracks.

## THE REMOTE CONTROL BATTERY

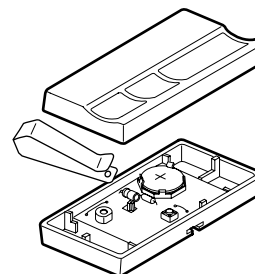
### WARNING

To prevent possible SERIOUS INJURY or DEATH:

- NEVER allow small children near batteries.
- If battery is swallowed, immediately notify doctor.

The lithium battery should produce power for up to 5 years. To replace battery, use the visor clip or screwdriver blade to pry open the case as shown. Insert battery positive side up.

Dispose of old battery properly.



NOTICE: To comply with FCC and or Industry Canada (IC) rules, adjustment or modifications of this receiver and/or transmitter are prohibited, except for changing the code setting or replacing the battery. THERE ARE NO OTHER USER SERVICEABLE PARTS. Tested to Comply with FCC Standards FOR HOME OR OFFICE USE. Operation is subject to the following two conditions: (1) this device may not cause harmful interference, and (2) this device must accept any interference received, including interference that may cause undesired operation.

---

## HAVING A PROBLEM?

### **1. The opener doesn't operate from either the Door Control or the remote control:**

- Does the opener have electric power? Plug a lamp into the outlet. If it doesn't light, check the fuse box or the circuit breaker. (Some outlets are controlled by a wall switch.)
- Have you disabled all door locks? Review installation instruction warnings on page 7.
- Is there a build-up of ice or snow under the door? The door may be frozen to the ground. Remove any restriction.
- The garage door spring may be broken. Have it replaced.

### **2. Opener operates from the remote, but not from the Door Control:**

- Is the door control lit? If not, reverse the wires. If the opener runs, check for a faulty wire connection at the door control, a short under the staples, or a broken wire.
- Are the wiring connections correct? Review *Installation Step 6*, page 14.

### **3. The door operates from the Door Control, but not from the remote control:**

- Is the door push bar flashing? If your model has the Lock feature, make sure it is off.
- Program the opener to match the remote control code. (Refer to instructions on the motor unit panel.) Repeat with all remotes.

### **4. The remote control has short range:**

- Change the location of the remote control in your car.
- Check to be sure the antenna on the side or back panel of motor unit extends fully downward.
- Some installations may have shorter range due to a metal door, foil backed insulation, or metal garage siding.

### **5. Opener noise is disturbing in living quarters of home:**

- If operational noise is a problem because of proximity of the opener to the living quarters, the Vibration Isolator Kit 89LMC can be installed. This kit was designed to minimize vibration to the house and is easy to install.

## **Having a Problem? (Continued)**

### **6. The garage door opens and closes by itself:**

- Be sure that all remote control push buttons are off.
- Remove the bell wire from the door control terminals and operate from the remote only. If this solves the problem, the door control is faulty (replace), or there is an intermittent short on the wire between the door control and the motor unit.
- Clear memory and re-program all remote controls.

### **7. The door doesn't open completely:**

- Is something obstructing the door? Is it out of balance, or are the springs broken? Remove the obstruction or repair the door.

### **8. The door opens but won't close:**

- If the opener lights blink, check the safety reversing sensor. See *Installation Step 10*.
- If the opener lights don't blink and it is a new installation. See *Adjustment Step 2*. For an existing installation, see below.

*Repeat the safety reverse test after the adjustment is complete.*

### **9. The door reverses for no apparent reason and opener lights don't blink:**

- Is something obstructing the door? Pull the emergency release handle. Operate the door manually. If it is unbalanced or binding, call a trained door systems technician.
- Clear any ice or snow from the garage floor area where the door closes.
- Review *Adjustment Step 2*.

*Repeat safety reverse test after adjustments.*

### **10. The door reverses for no apparent reason and opener lights blink for 5 seconds after reversing:**

- Check the safety reversing sensor. Remove any obstruction or align the receiving eye. See *Installation Step 10*.

### **11. The opener lights don't turn on:**

- Replace the light bulbs (100 watts maximum). Use a standard neck garage door opener bulb if regular bulb burns out.

### **12. The opener lights don't turn off:**

- Is the Light feature on? Turn it off.

### **13. The opener strains to operate door:**

- The door may be out of balance or the springs may be broken. **Close the door** and use the emergency release handle to disconnect the trolley. Open and close the door manually. A properly balanced door will stay in any point of travel while being supported entirely by its springs. If it does not, disconnect the opener and call a trained door systems technician.

### **14. The opener motor hums briefly, then won't work:**

- The garage door springs may be broken. See above.
- If the problem occurs on the first operation of the opener, door may be locked. Disable the door lock.

### **15. The opener won't operate due to power failure:**

- Use the emergency release handle to disconnect the trolley. The door can be opened and closed manually. When power is restored, press the Door Control push bar and trolley will automatically reconnect (unless trolley is in lockout position.) See page 28.
- The Outside Quick Release accessory (for use on garages with no service door) disconnects the trolley from outside the garage in case of power failure.

# PROGRAMMING

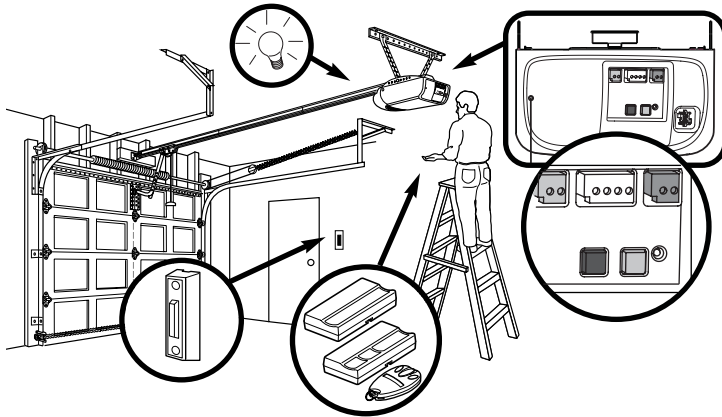
**NOTICE:** If this Security+® garage door opener is operated with a non-rolling code transmitter, the technical measure in the receiver of the garage door opener, which provides security against code-theft devices, will be circumvented. The owner of the copyright in the garage door opener does not authorize the purchaser or supplier of the non-rolling code transmitter to circumvent that technical measure.

Your garage door opener has already been programmed at the factory to operate with your hand-held remote control. The door will open and close when you press the large push button.

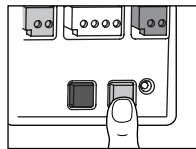
Below are instructions for programming your opener to operate with additional Security+® remote controls.

## To Add or Reprogram a Hand-held Remote Control

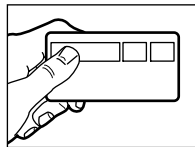
### USING THE "LEARN" BUTTON



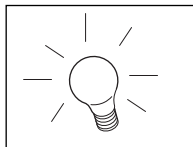
1. Press and release the orange "learn" button on the motor unit. The learn indicator light will glow steadily for 30 seconds.



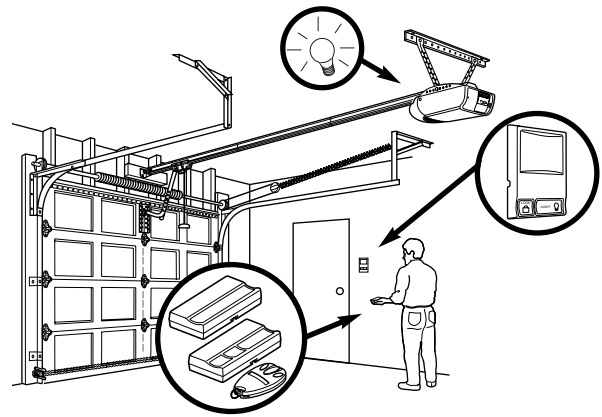
2. Within 30 seconds, press and hold the button on the hand-held remote\* that you wish to operate your garage door.



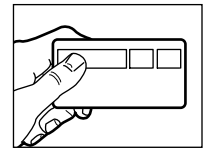
3. Release the button when the motor unit lights blink. It has learned the code. If light bulbs are not installed, two clicks will be heard.



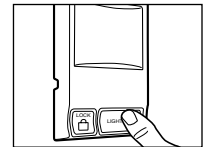
### USING THE MULTI-FUNCTION DOOR CONTROL



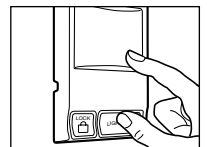
1. Press and hold the button on the hand-held remote\* that you wish to operate your garage door.



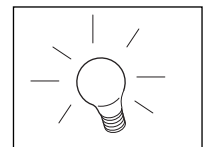
2. While holding the remote button, press and hold the LIGHT button on the Multi-Function Door Control.



3. Continue holding both buttons while you press the push bar on the Multi-Function Door Control (all three buttons are held).



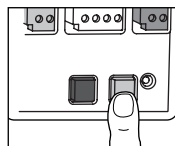
4. Release buttons when the motor unit lights blink. It has learned the code. If light bulbs are not installed, two clicks will be heard.



### To Erase All Codes From Motor Unit Memory

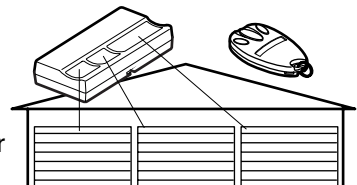
To deactivate any unwanted remote, first erase all codes:

Press and hold the "learn" button on motor unit until the learn indicator light goes out (approximately 6 seconds). All previous codes are now erased. Reprogram each remote or keyless entry you wish to use.



### \*3-Button Remotes

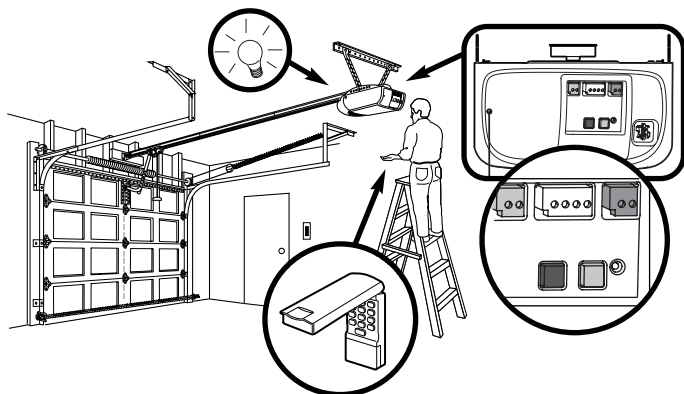
If provided with your garage door opener, the large button is factory programmed to operate it. Additional buttons on any Security+® 3-Button remote or mini-remote can be programmed to operate other Security+® garage door openers.



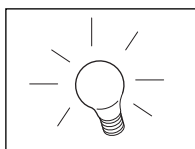
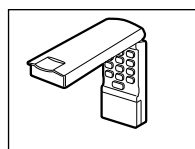
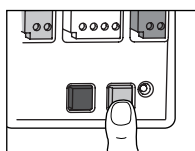
## To Add, Reprogram or Change a Keyless Entry PIN

**NOTE:** Your new Keyless Entry must be programmed to operate your garage door opener.

### USING THE "LEARN" BUTTON



1. Press and release the orange "learn" button on motor unit. The learn indicator light will glow steadily for 30 seconds.
2. Within 30 seconds, enter a four digit personal identification number (PIN) of your choice on the keypad. Then press and hold the ENTER button.
3. Release the button when the motor unit lights blink. It has learned the code. If light bulbs are not installed, two clicks will be heard.



### To change an existing, known PIN

If the existing PIN is known, it may be changed by one person without using a ladder.

1. Press the four buttons for the present PIN, then press and hold the # button.

The opener light will blink twice. Release the # button.

2. Press the new 4-digit PIN you have chosen, then press Enter.

The motor unit lights will blink once when the PIN has been learned.

Test by pressing the new PIN, then press Enter. The door should move.

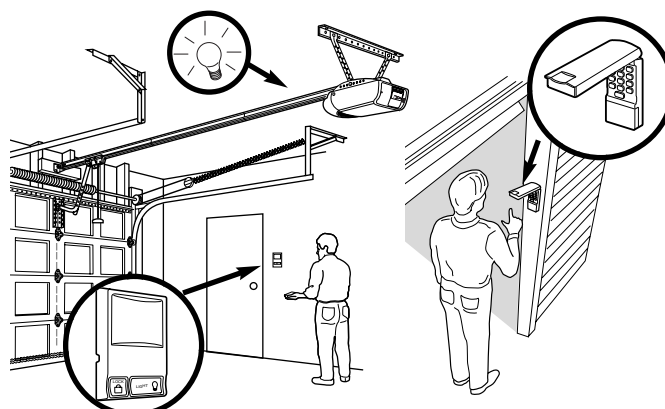
### To set a temporary PIN

You may authorize access by visitors or service people with a temporary 4-digit PIN. After a programmed number of hours or number of accesses, this temporary PIN expires and will no longer open the door. It can be used to *close* the door even after it has expired. To set a temporary PIN:

1. Press the four buttons for your personal entry PIN (not the last temporary PIN), then press and hold the \* button.

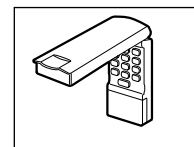
The opener light will blink three times. Release the button.

### USING THE MULTI-FUNCTION DOOR CONTROL



**NOTE:** This method requires two people if the Keyless Entry is already mounted outside the garage.

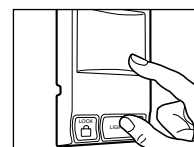
1. Enter a four digit personal identification number (PIN) of your choice on the keypad. Then press and hold ENTER.



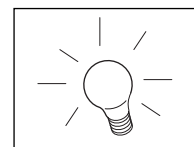
2. While holding the ENTER button, press and hold the LIGHT button on the Multi-Function Door Control.



3. Continue holding the ENTER and LIGHT buttons while you press the push bar on the Multi-Function Door Control (all three buttons are held).



4. Release buttons when the motor unit lights blink. It has learned the code. If light bulbs are not installed, two clicks will be heard.



2. Press the temporary 4-digit PIN you have chosen, then press Enter.

The opener light will blink four times.

3. To set the number of **hours** this temporary PIN will work, press the number of hours (up to 255), then press \*.

**OR**

3. To set the number of **times** this temporary PIN will work, press the number of times (up to 255), then press #.

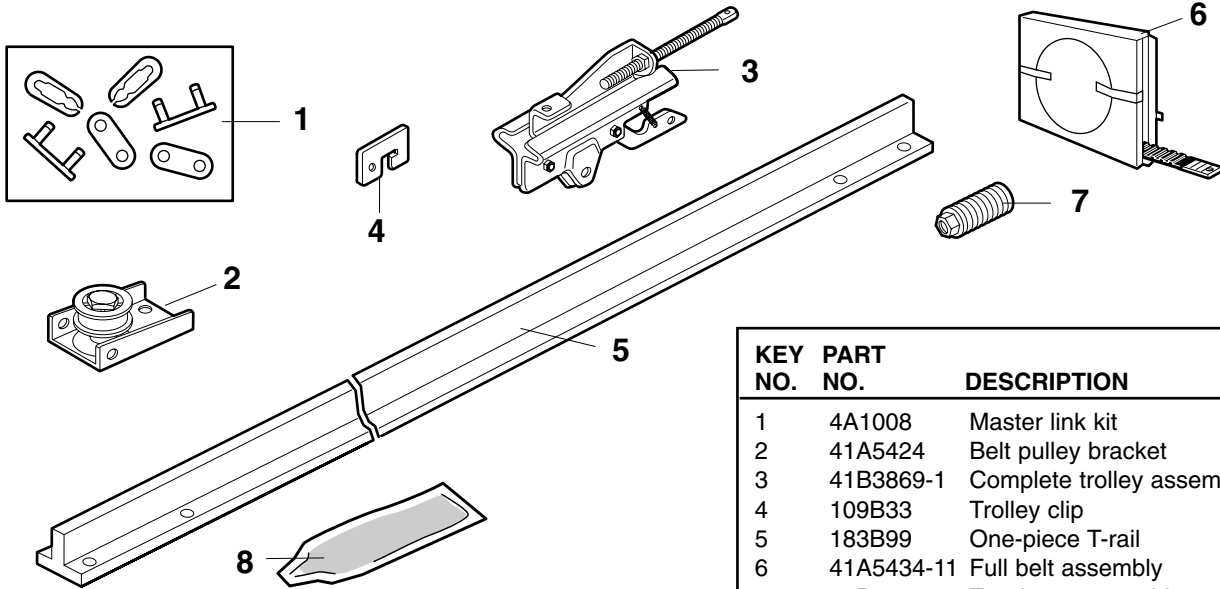
The opener light will blink once when the temporary PIN has been learned.

Test by pressing the four buttons for the temporary PIN, then press Enter. The door should move. If the temporary PIN was set to a certain number of openings, remember that the test has used up one opening. To clear the temporary password, repeat steps 1-3, setting the number of hours or times to 0 in step 3.



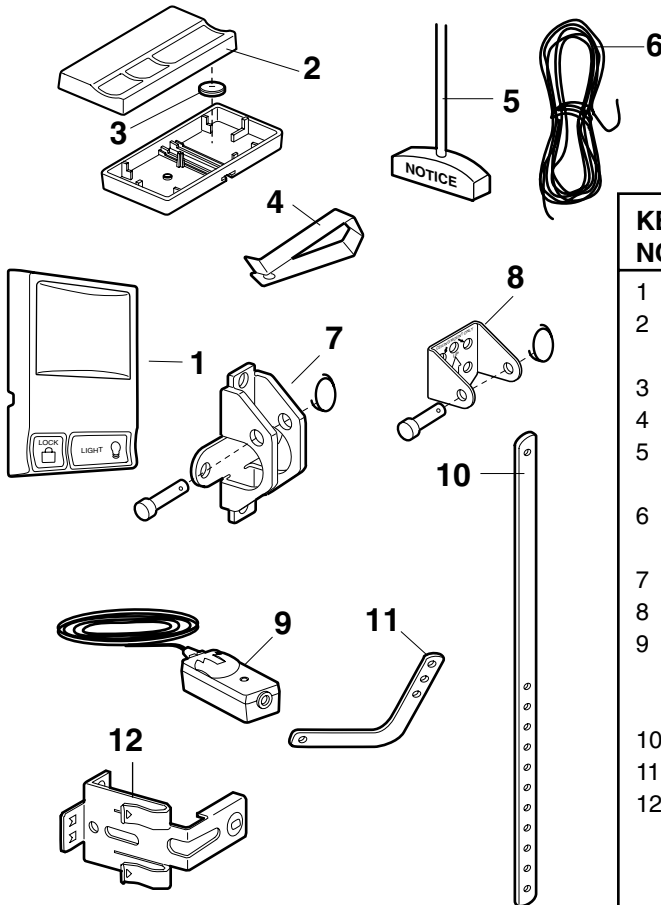
# REPAIR PARTS

## Rail Assembly Parts



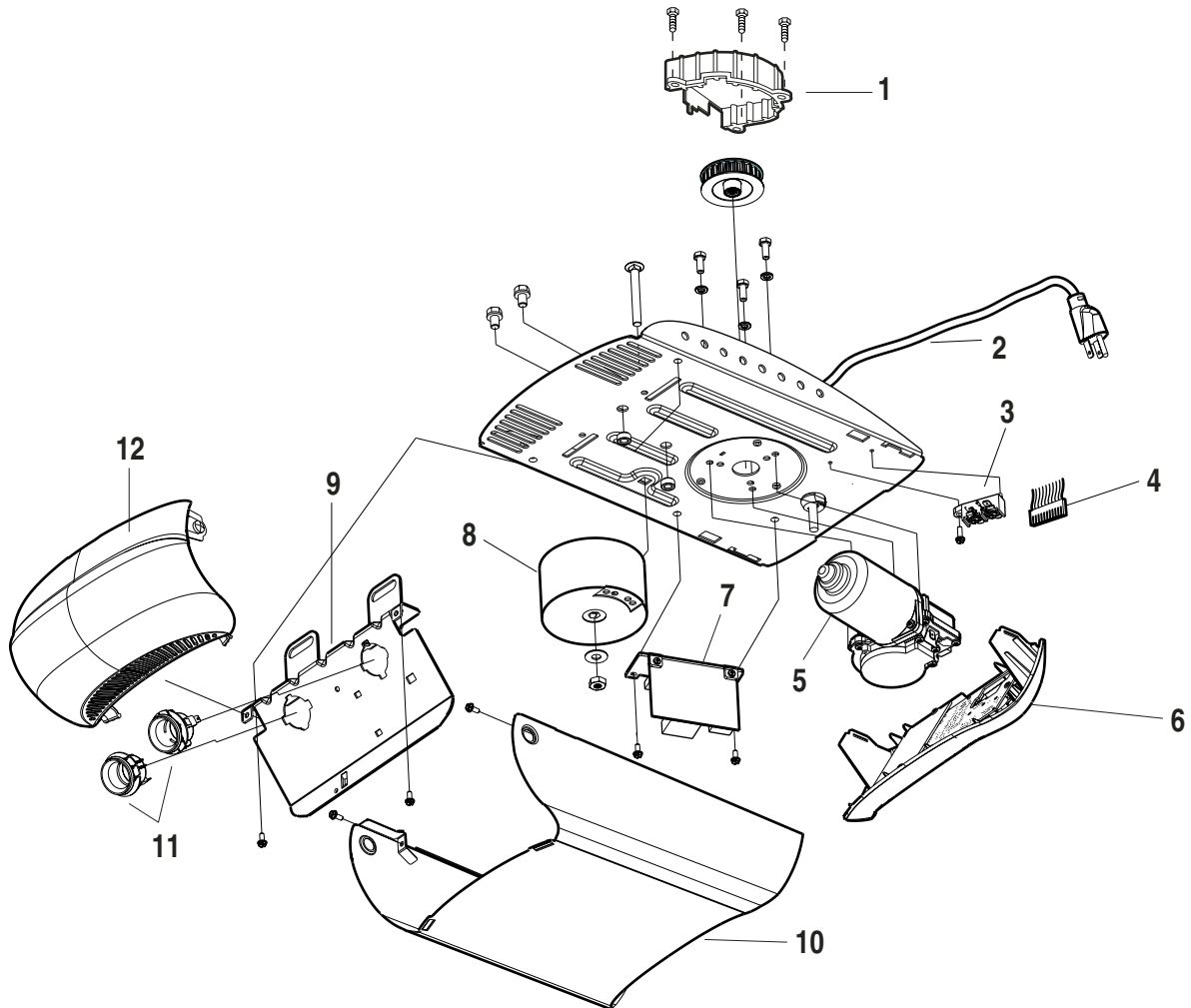
KEY PART NO.	PART NO.	DESCRIPTION
1	4A1008	Master link kit
2	41A5424	Belt pulley bracket
3	41B3869-1	Complete trolley assembly
4	109B33	Trolley clip
5	183B99	One-piece T-rail
6	41A5434-11	Full belt assembly
7	41B4103	Tensioner assembly
8	83A11-2	Rail grease

## Installation Parts



KEY PART NO.	PART NO.	DESCRIPTION
1	41C494	Multi-Function door control panel
2	41A5056-3	3-Button remote control housing (no circuit board)
3	10A20	3V2032 Lithium battery
4	29B137	Remote control visor clip
5	41A2828	Emergency release rope & handle assembly
6	217A238	2-Conductor bell wire - white & white/red
7	41A5047-1	Door bracket w/clevis pin & fastener
8	41A4353-1	Header bracket w/clevis pin & fastener
9	41A5034	Safety sensor kit (receiving and sending eyes) with 3' 2-conductor bell wire attached
10	178B34	Straight door arm section
11	178B35	Curved door arm section
12	41A5266-1	Safety sensor brackets (2)
		<b>NOT SHOWN</b>
	41A2770-5	Installation hardware bag (includes hardware listed on page 5)
	114A2797	Owner's manual

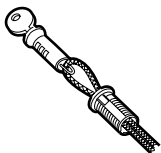
## Motor Unit Assembly Parts



KEY NO.	PART NO.	DESCRIPTION	KEY NO.	PART NO.	DESCRIPTION
1	41A4371-1	Belt cap	6	41A5507-3	Receiver logic board assembly with end panel
2	41B4245-1	Line cord		41D182-1	End panel only
3	41B4375-3	Terminal block w/screws	7	41A5351-6	Power supply
4	41C5317	Wire harness (logic)	8	41C168	Transformer and harness
	41C5839	High voltage wire harness	9	41D630-2	Bracket: light socket, limit switch
	41C5806	DC motor wire harness	10	41A5490-10	Cover
	41C5418	Light socket wire harness	11	175C147	Light socket
5	41D475-1	Motor 80kg/100kg	12	108D60	Light lens

## ACCESSORIES

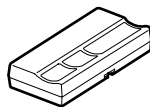
1702LMC



**Outside Quick Release:**

Required for a garage with NO access door.

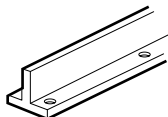
973WC



**Designer Burled Walnut 3-Button Remote Control with Security+®:**

Includes visor clip.

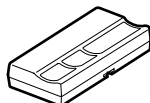
2778BD



**8 Foot Complete Rail:**

To allow an 8 foot door to open fully.

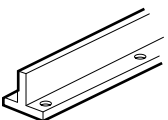
973LMC



**3-Button Security+® Remote Control:**

Includes visor clip.

2770BD



**10 Foot Complete Rail:**

To allow a 10 foot door to open fully.

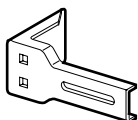
974LMC



**4-Button Security+® Remote Control:**

Includes visor clip.

41A5281



**Extension Brackets:**

(Optional) For safety sensor installation onto the wall or floor.

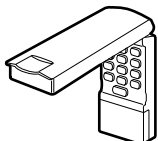
970LMC



**3-Button Mini-Remote Control with Security+®:**

With key ring.

976LMC



**Wireless Keyless Entry with Security+®:**

Enables homeowner to operate garage door opener from outside by entering a password on a specially designed keyboard. Also can add a temporary password for visitors or service persons. This temporary password can be limited to a programmable number of hours or entries.

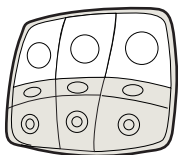
98LMC



**Motion Detecting Control Panel:**

Multi-Function door control with motion sensor that automatically turns opener lights on for 5 minutes when it detects a person entering the garage. Sensor can be easily deactivated when desired.

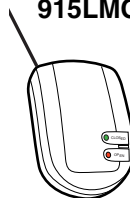
902LMC/903LMC



**2 & 3 Door Multi-Function Wall Control:**

Ideal for homes with up to three garage doors. Combine up to three controls into one wall control panel for a neat compact appearance. Enhanced functions include Lock Feature to lock out outside radio signals while you are away from home and turn opener lights on or off from the control panel.

915LMC



**Garage Door Monitor:**

Security for the largest door of your home! Tells you if your garage door is open or closed. Monitors up to 4 garage doors by adding additional sensor modules.

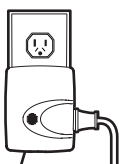
916LMC



**Garage Door Monitor Sensor:**

Additional accessory sensor for homes with multiple garage doors.

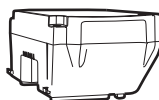
995LMC



**Remote Light Control:**

Enables homeowner to turn on a lamp, television or other appliance from their car with their garage door opener remote or from anywhere in their home with an additional LiftMaster Security+® remote.

475LMC



**EverCharge™ Battery Backup System:**

Provides backup power to the model 2500BC garage door opener.

# LIFTMASTER SERVICE IS ON CALL

OUR LARGE SERVICE ORGANIZATION  
SPANS AMERICA

INSTALLATION AND SERVICE INFORMATION IS AS  
NEAR AS YOUR TELEPHONE SEVEN DAYS A  
WEEK. SIMPLY DIAL OUR TOLL FREE NUMBER:

**1-800-654-4736**

HOURS: (Central Std. Time)  
6:00 A.M. TO 7:00 P.M. Monday through Friday  
8:00 A.M. TO 6:00 P.M. Saturday  
8:00 A.M. TO 4:30 P.M. Sunday

[www.liftmaster.com](http://www.liftmaster.com)

For professional installation, parts and service,  
contact your local LIFTMASTER/ CHAMBERLAIN  
dealer. Look for him in the Yellow Pages, or call our  
service number for a list of dealers in your area.

# HOW TO ORDER REPAIR PARTS

Selling prices will be furnished on request or parts will  
be shipped at prevailing prices and you will be billed  
accordingly.

WHEN ORDERING REPAIR PARTS, ALWAYS GIVE  
THE FOLLOWING INFORMATION:

- PART NUMBER
- PART NAME
- MODEL NUMBER

ADDRESS ORDERS TO:

THE CHAMBERLAIN GROUP, INC.  
Technical Support Group  
6020 S. Country Club Road  
Tucson, Arizona 85706

SERVICE INFORMATION TOLL FREE NUMBER:

**1-800-654-4736**

## LIFTMASTER GARAGE DOOR OPENER FIVE-YEAR LIMITED WARRANTY

The Chamberlain Group, Inc. ("Seller") warrants to the first retail purchaser of this product, for the residence in which this product is originally installed, that it will be free from any defect in materials and/or workmanship for a period of 60 full months from the date of purchase. Additionally, the motor and drive belt are warranted for the lifetime of the product. The product must be used in complete accordance with Chamberlain's instructions for installation, operation and care. **The proper operation of this product is dependent on your compliance with the Owner's Manual instructions regarding installation, operation, maintenance and testing. Failure to comply strictly with those instructions will void this warranty in its entirety. Please note that the safety reverse system, in order to operate properly with your garage door, must be adjusted and periodically tested in accordance with the Owner's Manual.**

If, during the limited warranty period, it appears as though this product contains a defect which is covered by this limited warranty, **CALL OUR TOLL FREE SERVICE NUMBER, BEFORE DISMANTLING THIS PRODUCT, AT (1-800-654-4736).** Then send this product, pre-paid and insured, to our service center for warranty repair. You will be advised of shipping instructions when you call the toll free service number. Please include a brief description of the problem and a dated proof-of-purchase receipt with any product that is returned for warranty repair.

Products returned to Seller for warranty repair, which upon receipt by Seller are confirmed to be defective and covered by this limited warranty, will be repaired or replaced (at Seller's sole option) at no cost to you and returned pre-paid. Defective parts will be repaired or replaced with new or factory-rebuilt parts at Seller's sole option.

**THIS LIMITED WARRANTY IS IN LIEU OF ANY OTHER WARRANTIES, EXPRESS OR IMPLIED, INCLUDING ANY IMPLIED WARRANTY OF MERCHANTABILITY OR FITNESS FOR A PARTICULAR PURPOSE, OR OTHERWISE, AND OF ANY OTHER OBLIGATIONS OR LIABILITY ON SELLER'S PART. THIS LIMITED WARRANTY DOES NOT COVER NON-DEFECT DAMAGE, DAMAGE CAUSED BY IMPROPER INSTALLATION, OPERATION OR CARE (INCLUDING, BUT NOT LIMITED TO ABUSE, MISUSE, FAILURE TO PROVIDE REASONABLE AND NECESSARY MAINTENANCE, USE OF UNAUTHORIZED PARTS OR ACCESSORIES, UNAUTHORIZED REPAIRS, OR ANY ALTERATIONS TO THIS PRODUCT), LABOR CHARGES FOR DISMANTLING OR REINSTALLING A REPAIRED OR REPLACED UNIT, REPLACEMENT OF BATTERIES AND LIGHT BULBS, OR UNITS INSTALLED FOR NON-RESIDENTIAL USE. THE USE OF UNAUTHORIZED PARTS OR ACCESSORIES WILL VOID THIS LIMITED WARRANTY. If you have any questions as to whether accessories or replacement parts are authorized, please contact Chamberlain.**

**THIS LIMITED WARRANTY DOES NOT COVER ANY PROBLEMS WITH, OR RELATING TO, THE GARAGE DOOR OR GARAGE DOOR HARDWARE, INCLUDING BUT NOT LIMITED TO THE DOOR SPRINGS, DOOR ROLLERS, DOOR ALIGNMENT AND HINGES. ANY SERVICE CALL THAT DETERMINES THE PROBLEM HAS BEEN CAUSED BY ANY OF THESE ITEMS COULD RESULT IN A FEE TO YOU.**

**UNDER NO CIRCUMSTANCES SHALL SELLER BE LIABLE FOR CONSEQUENTIAL, INCIDENTAL OR SPECIAL DAMAGES ARISING IN CONNECTION WITH THE USE OF, OR INABILITY TO USE, THIS PRODUCT. IN NO EVENT SHALL SELLER'S LIABILITY FOR BREACH OF WARRANTY, BREACH OF CONTRACT, NEGLIGENCE OR STRICT LIABILITY EXCEED THE COST OF THE PRODUCT COVERED HEREBY. NO PERSON IS AUTHORIZED TO ASSUME FOR US ANY OTHER LIABILITY IN CONNECTION WITH THE SALE OF THIS PRODUCT.**

Some states do not allow the exclusion or limitation of consequential, incidental or special damages, so the above limitation or exclusion may not apply to you. This limited warranty gives you specific legal rights, and you may also have other rights which vary from province to province.

## LIFETIME MOTOR & BELT WARRANTY

The motor and belt are fully warranted for the lifetime of the product to the first-time purchaser.

CHAMBERLAIN®

**LiftMaster®**  
**PROFESSIONAL**

The Chamberlain Group, Inc.  
845 Larch Avenue  
Elmhurst, Illinois 60126-1196  
www.liftmaster.com

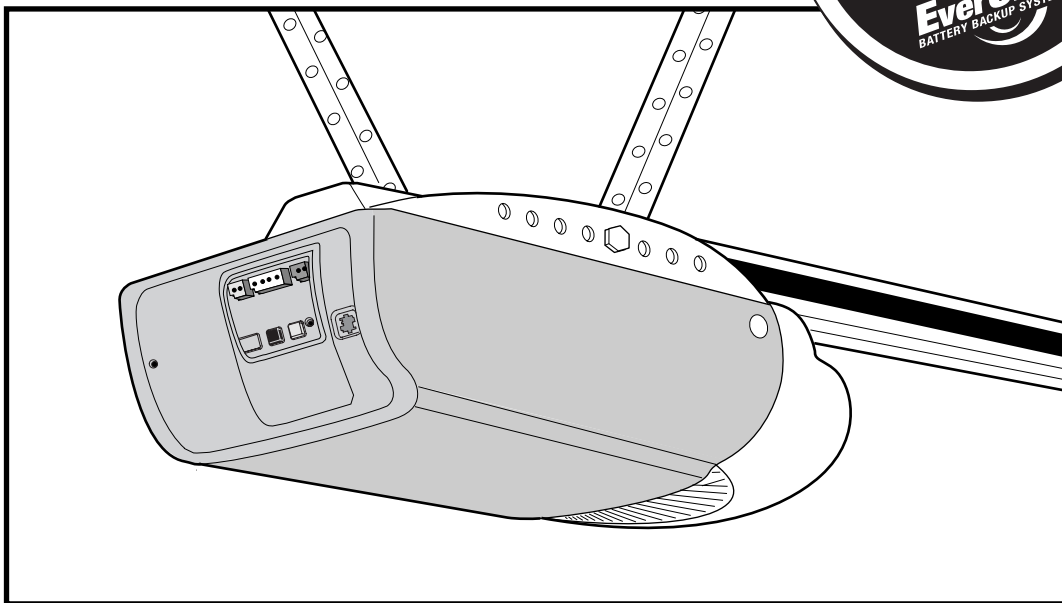


# SECURITY+®

## OUVRE-PORTE DE GARAGE

### Modèle 2500BC

*Pour résidences seulement*



## Manuel d'instructions

- Lire attentivement ce manuel ainsi que les consignes de sécurité!
- Après la pose, accrocher ce manuel près de la porte de garage pour s'y reporter ultérieurement.
- La porte NE SE FERMERA PAS si le Système Protector® n'est pas branché et réglé correctement.
- Pour un bon fonctionnement en toute sécurité de cet ouvre-porte de garage, le vérifier et le régler périodiquement.
- L'étiquette du numéro de modèle est située sur le panneau avant de votre ouvre-porte.

## TABLE DES MATIÈRES

<b>Introduction</b>	<b>2-5</b>	<b>Réglages</b>	<b>24-26</b>
Revue des symboles de sécurité et des mots de signalement	2	Réglage des courses	24
Préparation de votre porte de garage	3	Réglage de la force	25
Outils nécessaires	3	Contrôle du système d'inversion de sécurité	26
Planification	4	Essai du Système Protector®	26
Inventaire des boîtes d'emballage	5	<b>Fonctionnement</b>	<b>27-30</b>
Inventaire des fixations	5	Instructions de fonctionnement en toute sécurité	27
<b>Sur le montage</b>	<b>6-7</b>	Utilisation de votre ouvre-porte de garage	27
Fixation du rail au moteur	6	Utilisation de la commande de porte montée au mur	28
Réglage de tension de la courroie	6	Pour ouvrir la porte manuellement	28
Attachement du capuchon de maintien de la courroie	7	Entretien de votre ouvre-porte de garage	29
<b>Sur la pose</b>	<b>7-23</b>	Défauts de fonctionnement	29-30
Instructions concernant une pose en toute sécurité	7	<b>Programmation</b>	<b>31-32</b>
Déterminer l'emplacement du support de linteau	8-9	Pour ajouter ou reprogrammer une télécommande à main	31
Pose du support de linteau	10	Pour effacer tous les codes	31
Fixation du rail sur le support de linteau	11	Télécommandes à trois boutons	31
Positionnement de l'ouvre-porte	12	Pour ajouter, reprogrammer ou modifier un NIP d'entrée sans clé	32
Accrochage de l'ouvre-porte	13	<b>Pièces de réparation</b>	<b>33-34</b>
Pose de la commande de porte	14	Pièces d'assemblage des rails	33
Pose des ampoules et des diffuseurs	15	Pièces pour la pose	33
Pose de la corde et de la poignée de déclenchement d'urgence	15	Pièces d'assemblage du moteur	34
Exigences électriques	16	<b>Accessoires</b>	<b>35</b>
Pose du Système Protector®	17-19	<b>Pièces de réparation et service</b>	<b>36</b>
Fixation du support de la porte	20-21	<b>Garantie</b>	<b>36</b>
Fixation de la biellette de la porte au chariot	22-23		

## INTRODUCTION

### Revue des symboles de sécurité et des mots de signalement

Cet ouvre-porte de garage a été conçu et testé dans le but d'offrir un service sûr à condition qu'il soit installé, utilisé, entretenu et testé en stricte conformité avec les instructions et les avertissements contenus dans le présent manuel.

### AVERTISSEMENT

Mécanique

### AVERTISSEMENT

Électrique

### ATTENTION

Lorsque vous verrez ces symboles de sécurité et ces mots de signalement sur les pages suivantes, ils vous aviseront de la possibilité **de lésions graves ou de mort** si vous ne vous conformez pas aux avertissements qui les accompagnent. Le danger peut provenir de quelque chose mécanique ou d'un choc électrique. Lisez attentivement les avertissements.

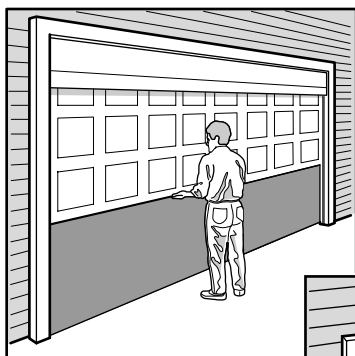
Lorsque vous verrez ce mot de signalement sur les pages suivantes, il vous avisera de la possibilité de dommages à votre porte de garage et/ou ouvre-porte de garage si vous ne vous conformez pas aux énoncés de mise en garde qui l'accompagnent. Lisez-les attentivement.

## Préparation de Votre Porte de Garage

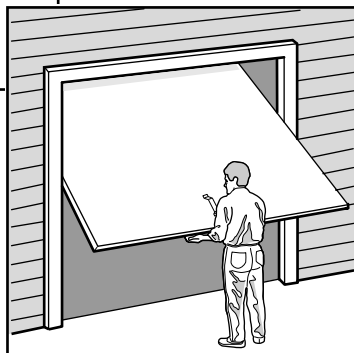
Avant de commencer :

- Désactiver les serrures.
- Retirer toute corde raccordée à la porte de garage.
- **Réaliser le test suivant** pour s'assurer que la porte de garage est équilibrée et qu'elle ne force pas :
  1. Soulever la porte à moitié, comme illustré, puis la relâcher. Si elle est équilibrée, elle devrait rester en place, entièrement supportée par ses ressorts.
  2. Faire monter et descendre la porte pour s'assurer qu'elle ne force pas.

Si votre porte force ou est déséquilibrée, appeler un technicien formé en systèmes de porte.



Porte Articulée



Porte Rigide

## ⚠ AVERTISSEMENT

Pour prévenir d'éventuelles BLESSURES GRAVES ou LA MORT :

- **TOUJOURS** appeler un technicien formé en systèmes de porte si la porte de garage force ou est déséquilibrée. Une porte de garage déséquilibrée peut ne pas remonter au besoin.
- Ne **JAMAIS** tenter de desserrer, déplacer ou régler la porte de garage ainsi que les ressorts, câbles, poulies, supports de porte ou leurs ferrures de montage, lesquels sont tous sous une tension **EXTRÊME**.
- Désactiver **TOUTES** les serrures et retirer **TOUTES** les cordes raccordées à la porte de garage **AVANT** de poser et d'utiliser l'ouvre-porte de garage afin d'éviter un emmêlement.

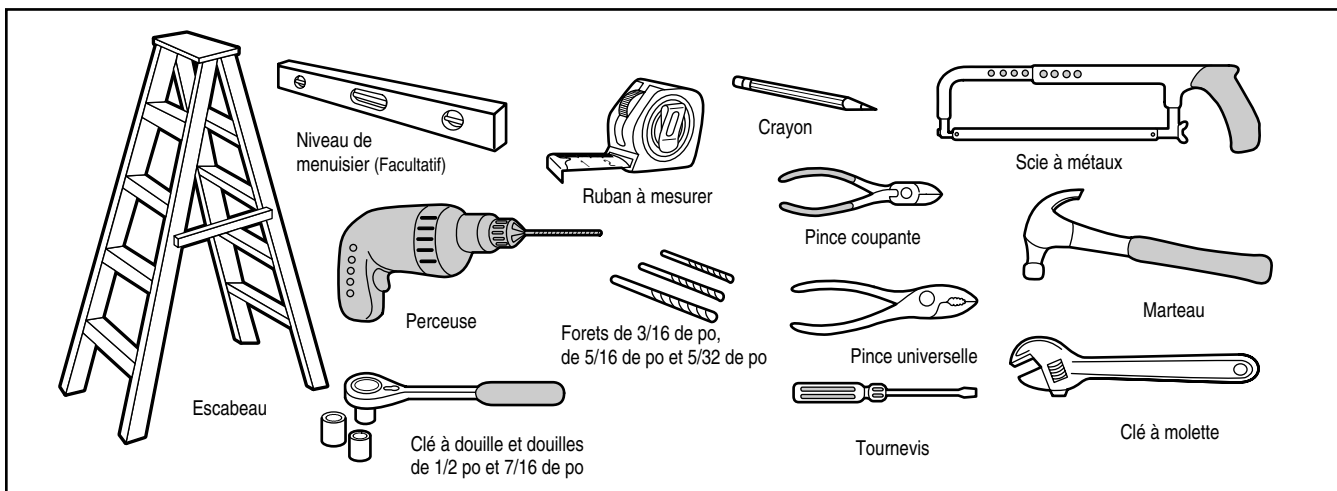
## ATTENTION

Pour prévenir les dommages à la porte de garage et à l'ouvre-porte :

- **TOUJOURS** désactiver les serrures **AVANT** de poser et d'utiliser l'ouvre-porte.
- Faire fonctionner l'ouvre-porte de garage **UNIQUEMENT** à une tension de 120 V, 60 Hz pour éviter les défauts de fonctionnement et les dommages.

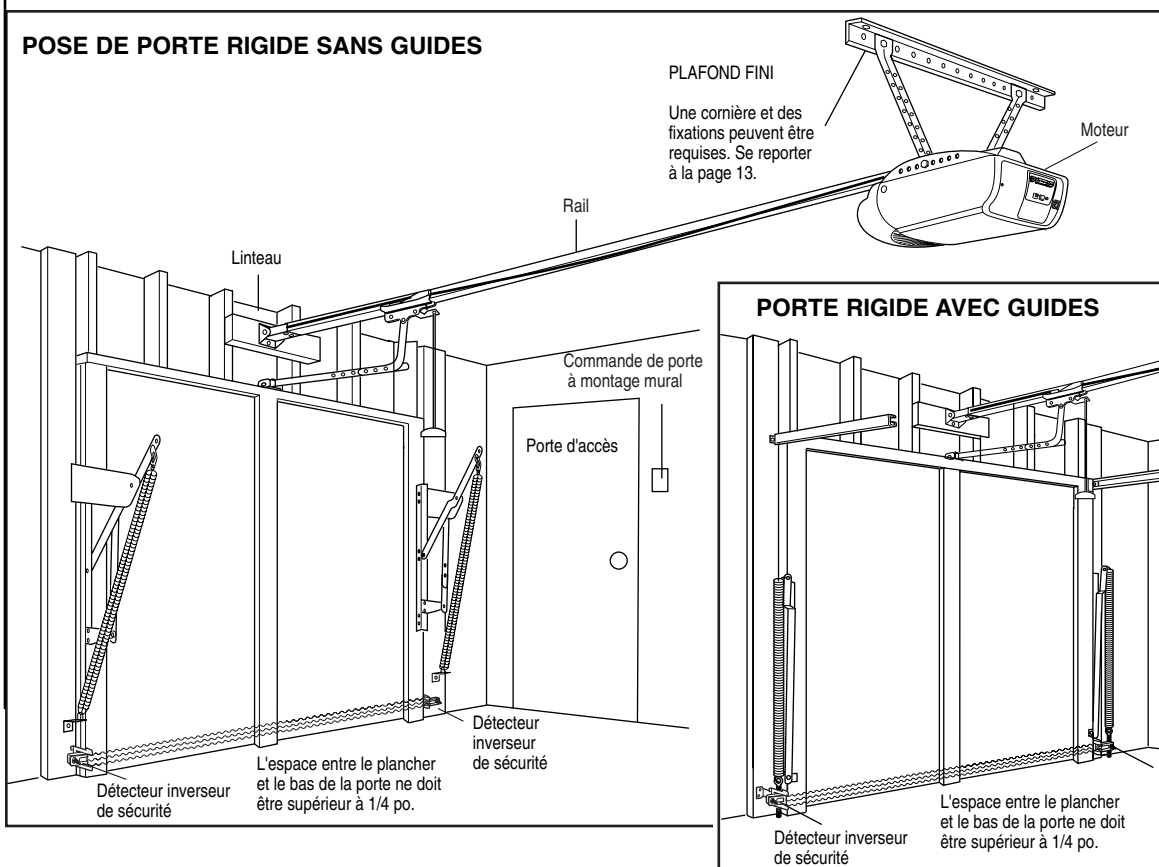
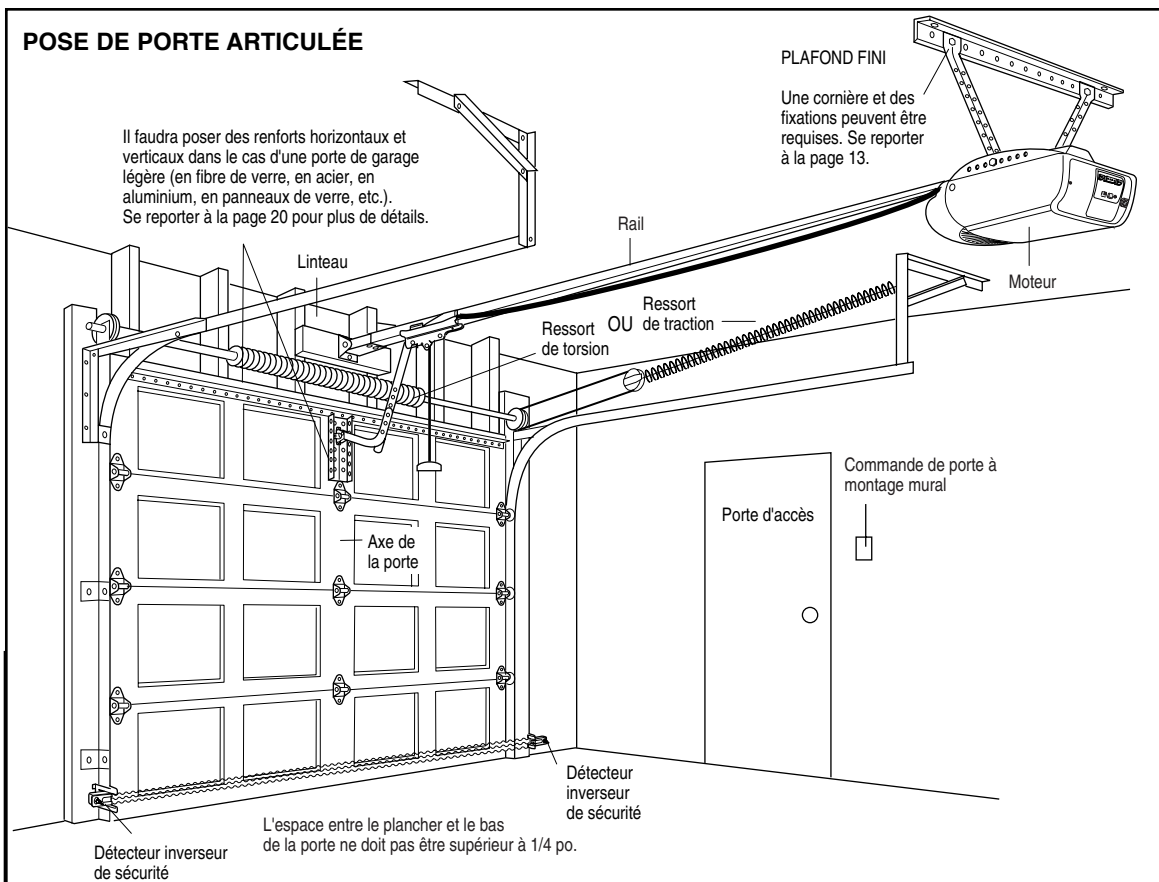
## Outils Nécessaires

Lors de l'assemblage, de la pose et du réglage de l'ouvre-porte, les instructions feront appel aux outils à main illustrés ci-après.



## Planification

Identifier le type et la hauteur de votre porte de garage. Examiner la région du garage pour noter si l'une des conditions ci-après s'applique à votre installation. Des matériaux supplémentaires peuvent être nécessaires. Il vous sera peut-être utile de vous reporter à cette page et aux illustrations qui l'accompagnent en procédant à la pose de l'ouvre-porte.

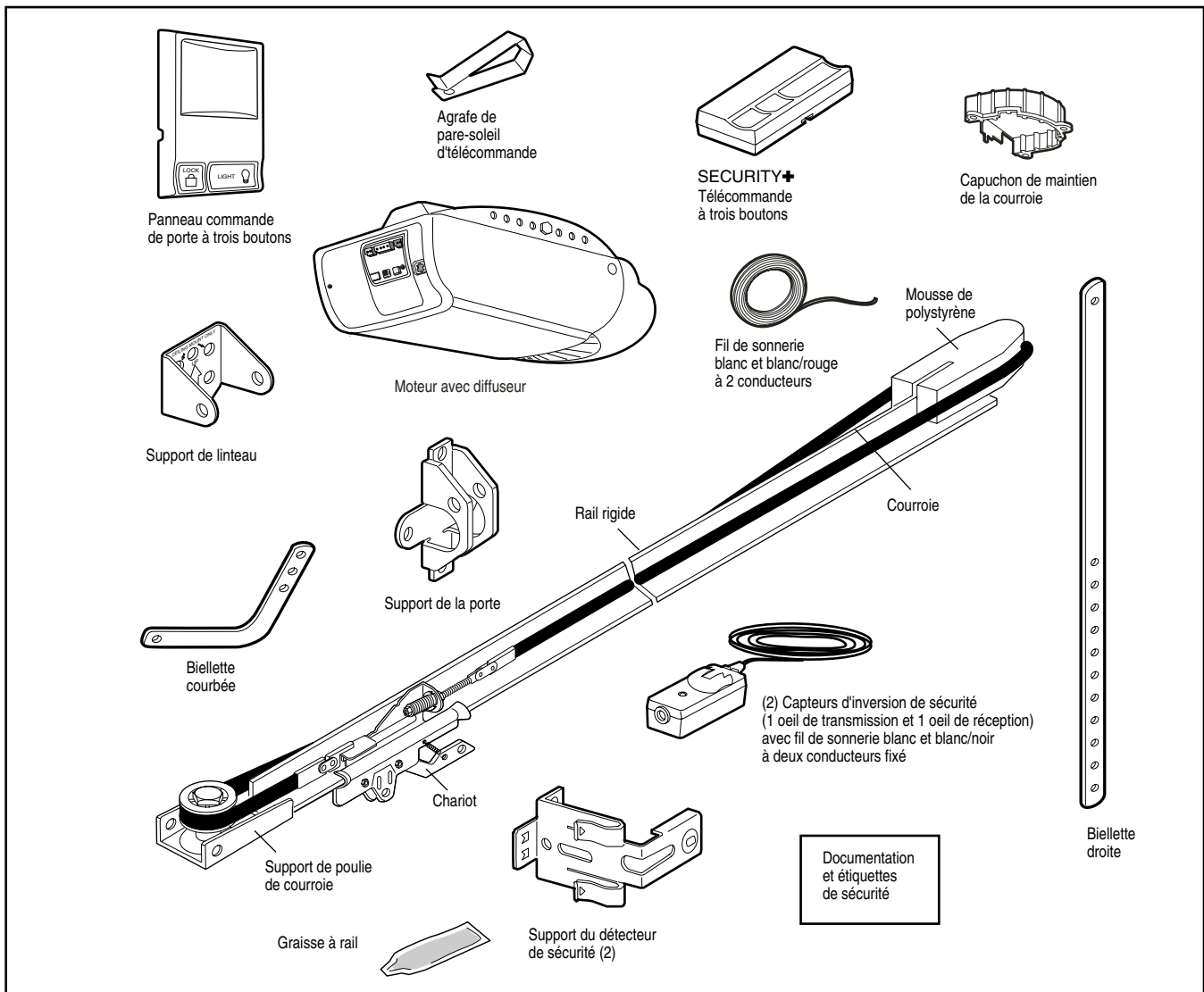




## Inventaire des boîtes d'emballage

Votre ouvre-porte de garage est emballé dans deux cartons qui contiennent le moteur et toutes les pièces illustrées ci-dessous. Veuillez noter que les accessoires dépendront du modèle acheté. S'il vous manque une pièce

quelconque, veuillez vérifiez soigneusement les matériaux d'emballage. Des pièces peuvent se trouver coincées dans la mousse. N'ENDOMMAGEZ PAS LA MOUSSE D'EMBALLAGE (voir page 6).



## Inventaire des ferrures de montage

### FIXATIONS DE POSE

Vis hex de #8 x 35/8 po (3)

Boulon hexagonal de de 5/16 po-18 x 7/8 po (4)

Tire-fond de 5/16 po-9 x 1-5/8 po (2)

Tire-fond de 5/16 po-18 x 1-7/8 po (2)

Boulon de chariot de 5/16 po-18 x 2-1/2 po (2)

Axe de chape de 5/16 po x 2-3/4 po (1)

Axe de chape de 5/16 po x 1-1/4 po (1)

Axe de chape de 5/16 po x 1 po (1)

Écrou de 5/16 po - 18 (4)

Rondelle de blocage de 5/16 po (4)

Vis 6AB x 1-1/4 po (2)

Vis 6- 32 x 1 po (2)

Vis autotaraudeuse 1/4 po-14x5/8 po (2)

Agrafes isolées (30)

Anneau de fixation (3)

Poignée

Cheilles à murs secs (2)

Corde

Boulon à tête bombée et collet carré de 1/4 po - 20 x 1/2 po (2)

Écrou à oreilles 1/4 po - 20 (2)

## MONTAGE - 1<sup>re</sup> OPÉRATION

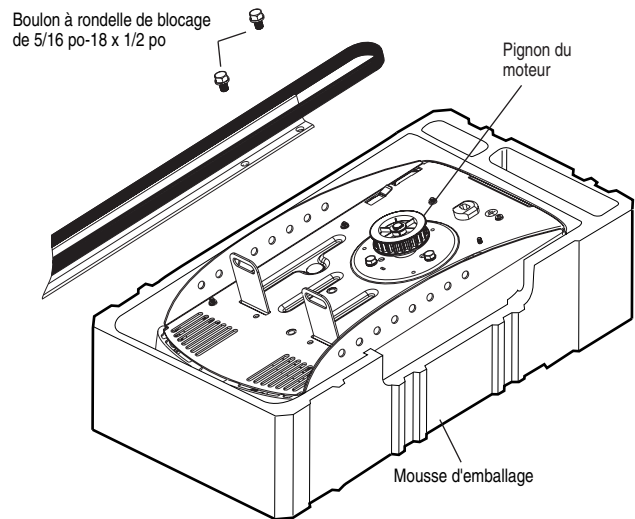
### Fixation du rail au moteur

Pour éviter les difficultés pendant la pose, ne faire fonctionner l'ouvre-porte de garage que lorsque cela est expressément indiqué.

- Enlever les deux boulons à rondelles montés sur le dessus du moteur.
- Aligner le rail et la mousse de polystyrène au-dessus du pignon. Couper la bande adhésive du rail, de la courroie et de la mousse de polystyrène.
- ENLEVER LA MOUSSE DE POLYSTYRÈNE.
- Passer les deux boulons à rondelles au travers du rail et dans le moteur. Serrer-les deux boulons solidement. **Il importe de n'utiliser que ces boulons! Tout autre boulon causera des dommages considérables à l'ouvre-porte.**
- Positionner la courroie au-dessus du pignon du moteur.

## ATTENTION

Afin d'éviter d'endommager SÉRIEUSEMENT l'ouvre-porte de garage, utiliser UNIQUEMENT les boulons et les fixations montés sur le dessus de l'ouvre-porte.

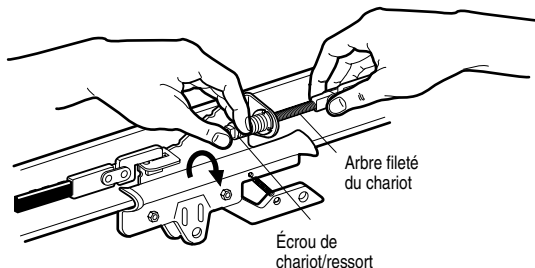


## MONTAGE - 2<sup>e</sup> OPÉRATION

### Réglage de tension de la courroie

- Visser et serrer à la main l'écrou de ressort du chariot sur l'arbre fileté jusqu'à ce qu'il soit serré contre le chariot. (Figure 1). Ne pas utiliser d'outils.
- Insérer la pointe d'un tournevis dans l'une des fentes de l'anneau d'écrou et l'appuyer solidement contre le chariot (Figure 2).

Figure 1



- Placer une clé à fourche de 7/16 de pouce sur l'extrémité carrée. Tourner environ 1/4 de tour jusqu'à ce que le ressort se dégage et enclenche l'anneau d'écrou contre le chariot (Figure 3).

Ceci étend le ressort pour une tension optimale de la courroie.

Figure 2

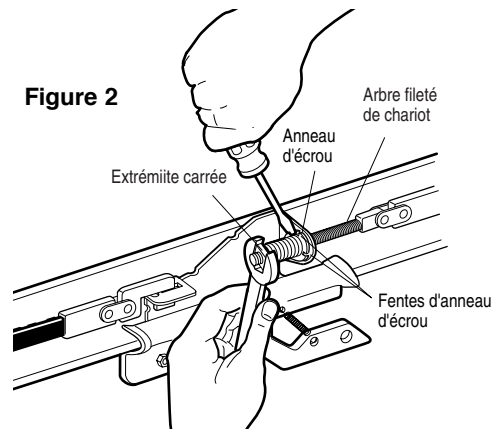
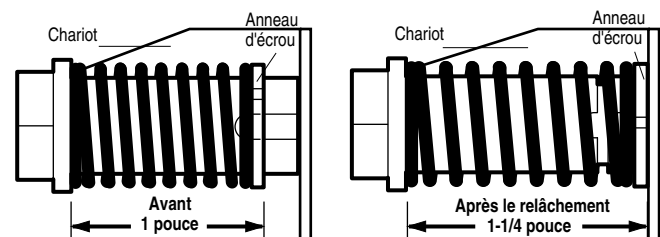


Figure 3

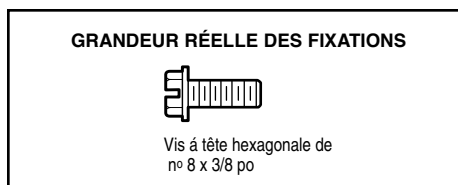


## MONTAGE - 3<sup>e</sup> OPÉRATION

### Fixation du capuchon de retenue de la courroie

- Positionner le capuchon de retenue de la courroie au-dessus du pignon du moteur de façon que les trois trous du capuchon soient alignés avec les deux trous de la plaque de butée. Le fixer avec les vis à tête hexagonale n° 8 x 3/8 fournies.

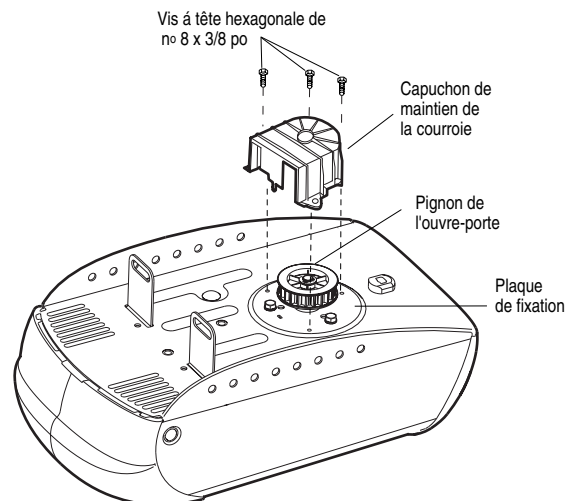
Le montage de l'ouvre-porte de garage est maintenant terminé. Lire les avertissements suivants avant de procéder à la section sur la pose.



## ⚠ AVERTISSEMENT

Pour éviter d'éventuelles BLESSURES GRAVES aux doigts par suite du mouvement de l'ouvre-porte :

- TOUJOURS garder la main à l'écart du pignon lorsque l'ouvre-porte fonctionne.
- Fixer solidement le carter du pignon AVANT de faire fonctionner l'ouvre-porte.



## POSE

## IMPORTANTES INSTRUCTIONS CONCERNANT LA POSE

### ⚠ AVERTISSEMENT

### Pour réduire le risque de blessures graves ou mortelles :

- LIRE ET SUIVRE TOUS LES AVERTISSEMENTS ET INSTRUCTIONS DE POSE.
- Poser l'ouvre-porte de garage uniquement sur une porte de garage bien équilibrée et lubrifiée. Une porte mal équilibrée peut ne pas remonter au besoin et pourrait provoquer des BLESSURES GRAVES ou LA MORT.
- Toutes les réparations aux câbles, ensembles de ressort et autres ferrures de montage DOIVENT être confiées à un technicien formé en systèmes de porte AVANT de poser l'ouvre-porte.
- Désactiver toutes les serrures et retirer toutes les cordes raccordées à la porte de garage AVANT de poser l'ouvre-porte afin d'éviter un emmêlement.
- Poser l'ouvre-porte de garage à au moins 7 pieds au-dessus du sol.
- Monter la poignée de déclenchement d'urgence à 6 pieds au-dessus du sol.
- Ne JAMAIS raccorder l'ouvre-porte de garage à une source de courant avant d'avoir reçu l'instruction de le faire.
- Ne JAMAIS porter de montres, bagues ou vêtements amples durant la pose ou l'entretien de l'ouvre-porte. Ils pourraient être happés par la porte de garage ou les mécanismes de l'ouvre-porte.
- Poser la commande de porte murale :
  - en vue de la porte de garage.
  - hors de la portée des enfants à une hauteur minimum de 5 pieds.
  - à l'écart de toutes les pièces mobiles de la porte.
- Placer l'étiquette d'avertissement de prise au piège sur le mur à côté de la commande de la porte de garage.
- Placer l'étiquette d'essai d'inversion de sécurité/ouverture manuelle bien en vue à l'intérieur de la porte de garage.
- Au terme de la pose, faire l'essai du système d'inversion de sécurité. La porte DOIT remonter au contact d'un objet d'une hauteur de 1 po (ou un 2 x 4 posé à plat) sur le sol.

## POSE – 1<sup>re</sup> OPÉRATION

### Déterminer l'emplacement du support de linteau

#### **AVERTISSEMENT**

Pour prévenir d'éventuelles BLESSURES GRAVES ou LA MORT :

- Le support de linteau DOIT être fixé DE MANIÈRE RIGIDE à la solive sur le linteau ou le plafond, sinon la porte de garage pourrait ne pas remonter au besoin. NE PAS poser le support de linteau sur des panneaux de placoplâtre.
- On DOIT utiliser des ancrages de béton pour le montage du support de linteau ou d'un 2 x 4 dans la maçonnerie.
- Ne JAMAIS tenter de desserrer, déplacer ou régler la porte de garage ainsi que les ressorts, câbles, poulies, supports de porte ou leurs ferrures de montage, lesquels sont tous sous une tension EXTRÊME.
- TOUJOURS appeler un technicien formé en systèmes de porte si la porte de garage force ou est déséquilibrée. Une porte de garage déséquilibrée peut ne pas remonter au besoin.

Les méthodes de pose varient en fonction de la porte du garage. Suivre les instructions qui correspondent à la porte du garage sur laquelle on pose l'ouvre-porte.

#### PORTE ARTICULÉE ET PORTE RIGIDE MUNIES DE GUIDES

1. Fermer la porte et marquer l'axe vertical intérieur de la porte du garage.
2. Prolonger cet axe sur le linteau au-dessus de la porte.

**Ne pas oublier que l'on peut fixer le support du linteau à moins de 4 pieds à droite ou à gauche de l'axe de la porte seulement si un ressort de torsion ou une plaque d'appui centrale gêne; ce support peut également être fixé au plafond (se reporter à la page 10) si le dégagement n'est pas suffisant. (Il peut être monté à l'envers sur un mur, au besoin, pour gagner environ 1/2 po.)**

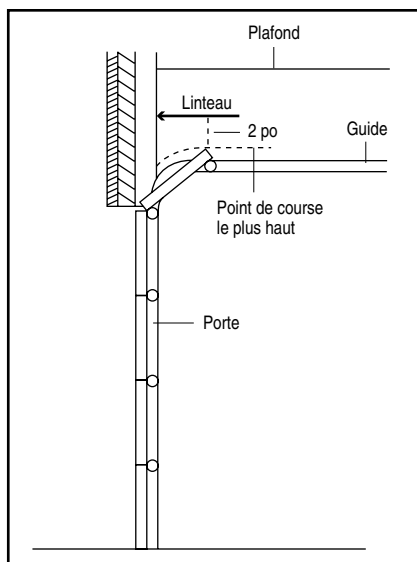
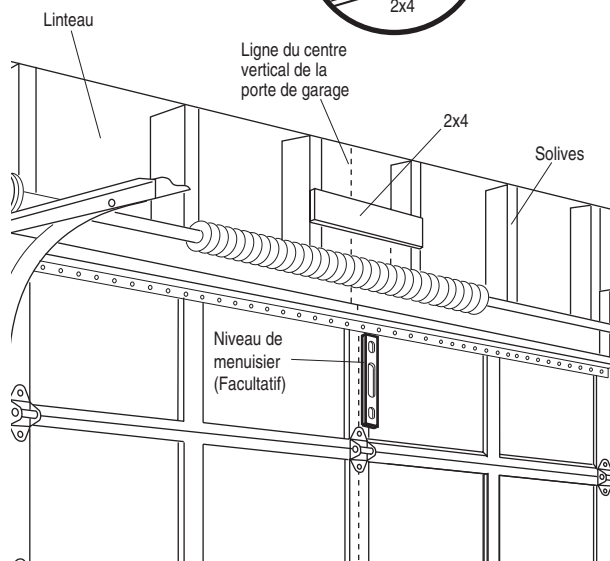
Si l'on doit poser le support de linteau sur un 2 x 4 (au mur ou au plafond), utiliser des tire-fond (non fournis) pour s'assurer que le 2 x 4 est bien retenu sur les solives, comme illustré sur cette page et à la page 10.

3. Ouvrir la porte à son point de course le plus haut, tel qu'illustré. Tracer une ligne horizontale d'intersection sur le linteau à 2 pouces au-dessus du point le plus haut. Cette hauteur permettra d'obtenir un dégagement suffisant pour le passage de la partie supérieure de la porte.

**Passer à la 2<sup>e</sup> opération, page 10.**

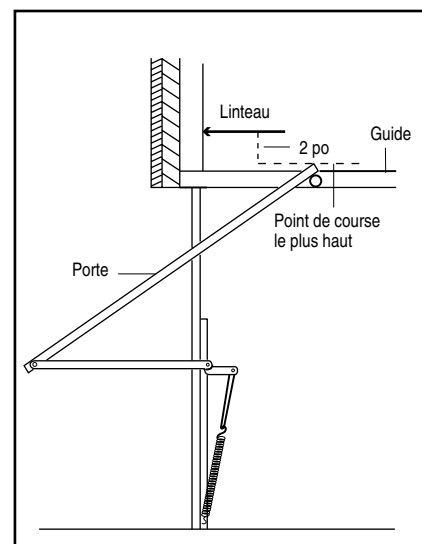
Plafond non fini

MONTAGE DU SUPPORT DE LINTEAU AU PLAFOND EN OPTION



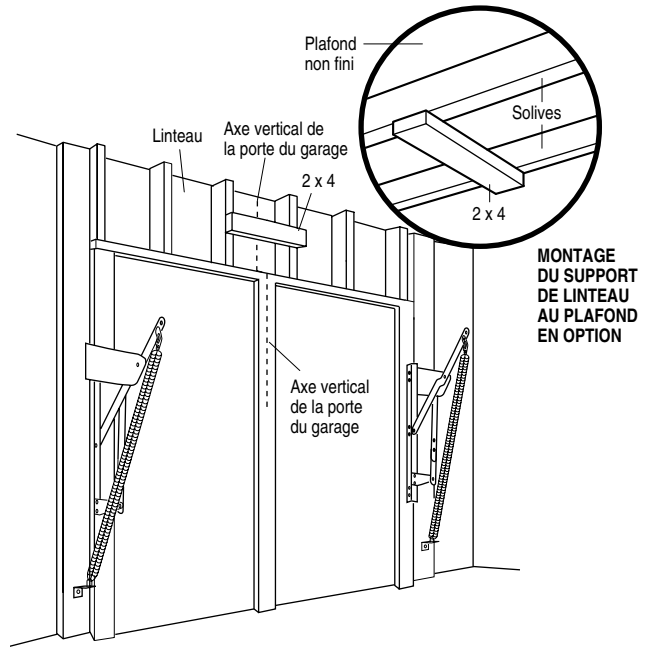
Porte articulée avec guide courbé

Porte rigide avec guide horizontal



## PORTE RIGIDE SANS GUIDES

1. La porte étant fermée, repérer et tracer l'axe vertical intérieur de la porte du garage, et prolonger cette ligne sur le linteau, au-dessus de la porte, comme illustré.  
Si le dégagement en hauteur n'est pas suffisant, on pourra poser le support de linteau au plafond. Se reporter à la page 10.  
Si l'on doit poser le support de linteau sur un 2 x 4 (au mur ou au plafond), utiliser des tire-fond (non fournis) pour bien retenir le 2 x 4 sur les solives, comme illustré.
  2. Ouvrir la porte à son point de course le plus haut, comme illustré. Mesurer la distance qu'il y a entre le haut de la porte et le sol. Soustraire la hauteur réelle de la porte. Ajouter 8 pouces à cette mesure. (Se reporter à l'exemple).
  3. Fermer la porte et tracer une ligne horizontale d'intersection sur le linteau à la hauteur déterminée.
- REMARQUE :** Si le nombre total de pouces (centimètres) dépasse la hauteur disponible dans le garage, utiliser la hauteur maximale ou se reporter à la page 10 pour la pose au plafond.

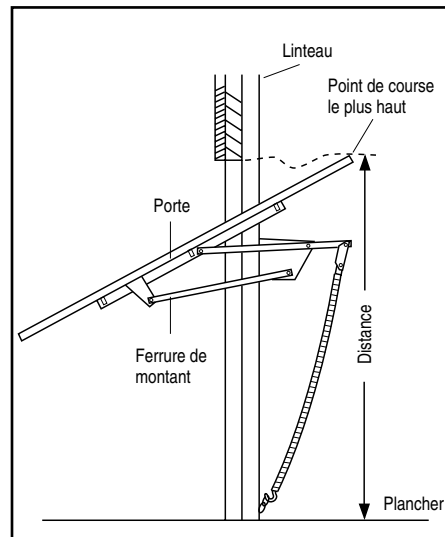


### EXEMPLE

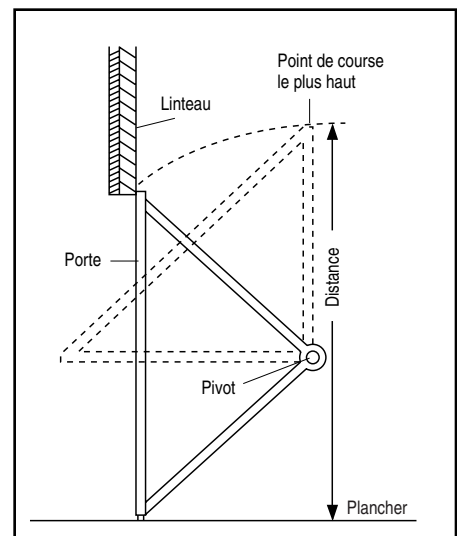
Distance entre le haut de la porte (au point de course le plus haut) et le plancher .....	92 po
Hauteur réelle de la porte .....	-88 po
Reste .....	4 po
Ajouter .....	+8 po
Hauteur du support sur le linteau .....	= 12 po

(Mesurer vers le HAUT, depuis le dessus de la porte lorsqu'elle est FERMÉE.)

Passer à la 2<sup>e</sup> opération, page 10.



Porte rigide sans guides :  
ferrure de montant



Porte rigide sans guides :  
basculant sur pivots

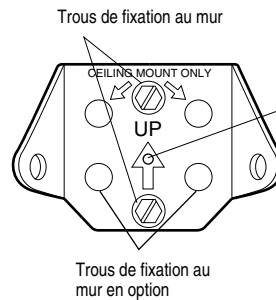
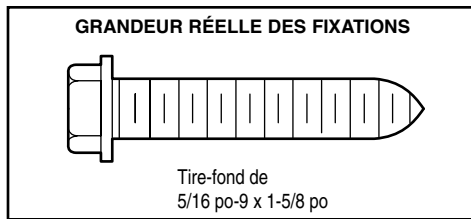
## POSE – 2<sup>e</sup> OPÉRATION

### Pose du support de linteau

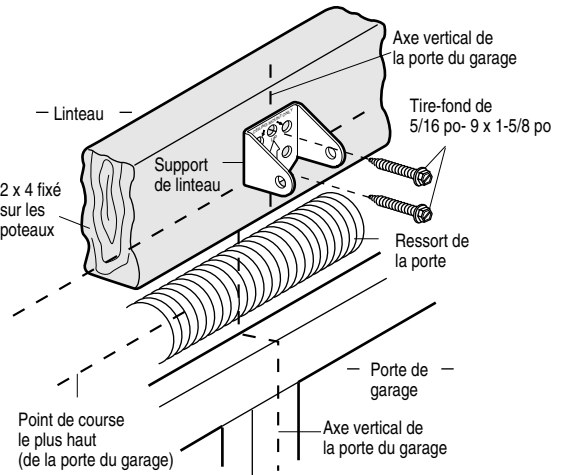
Le support de linteau peut être fixé soit sur le mur, au-dessus de la porte, soit au plafond. Suivre les instructions qui répondent le mieux aux besoins particuliers. **Ne pas poser le support de linteau sur des panneaux de placoplâtre. Utiliser des ancrages de béton (non fournis) pour la pose dans la maçonnerie.**

#### POSE DU SUPPORT DE LINTEAU AU MUR

- Centrer le support par rapport à l'axe vertical, la partie inférieure du support étant alignée avec la ligne horizontale, comme illustré (la flèche du support doit être orientée vers le plafond).
- Marquer la série verticale des trous de support (ne pas utiliser les trous prévus pour le montage au plafond). Percer des avant-trous de 3/16 pouce et fixer fermement le support sur une solive avec les fixations fournies.

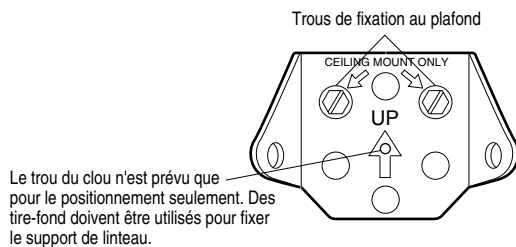


Le trou du clou n'est prévu que pour le positionnement seulement. Des tire-fond doivent être utilisés pour fixer le support de linteau.

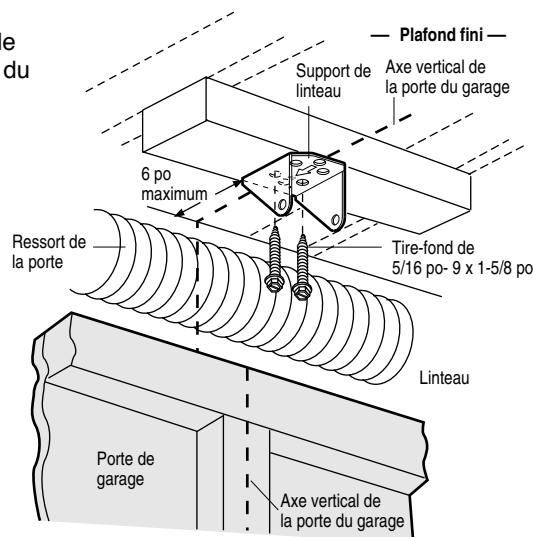


#### POSE DU SUPPORT DE LINTEAU AU PLAFOND

- Prolonger l'axe vertical sur le plafond, comme illustré.
- Centrer le support sur l'axe vertical à 6 pouces au maximum du mur. S'assurer que la flèche est orientée vers le mur. Le support peut être encastré dans le plafond si le dégagement n'est pas suffisant.
- Marquer les trous latéraux. Percer des avant-trous de 3/16 po et fixer fermement le support sur une solive du plafond à l'aide des fixations fournies.



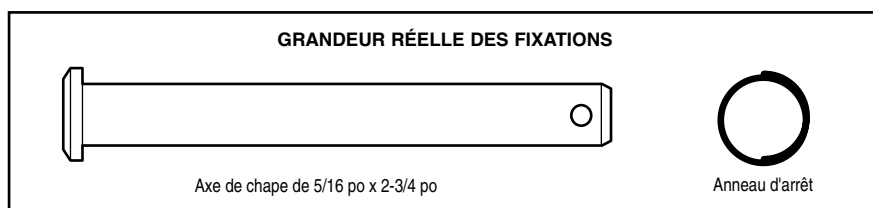
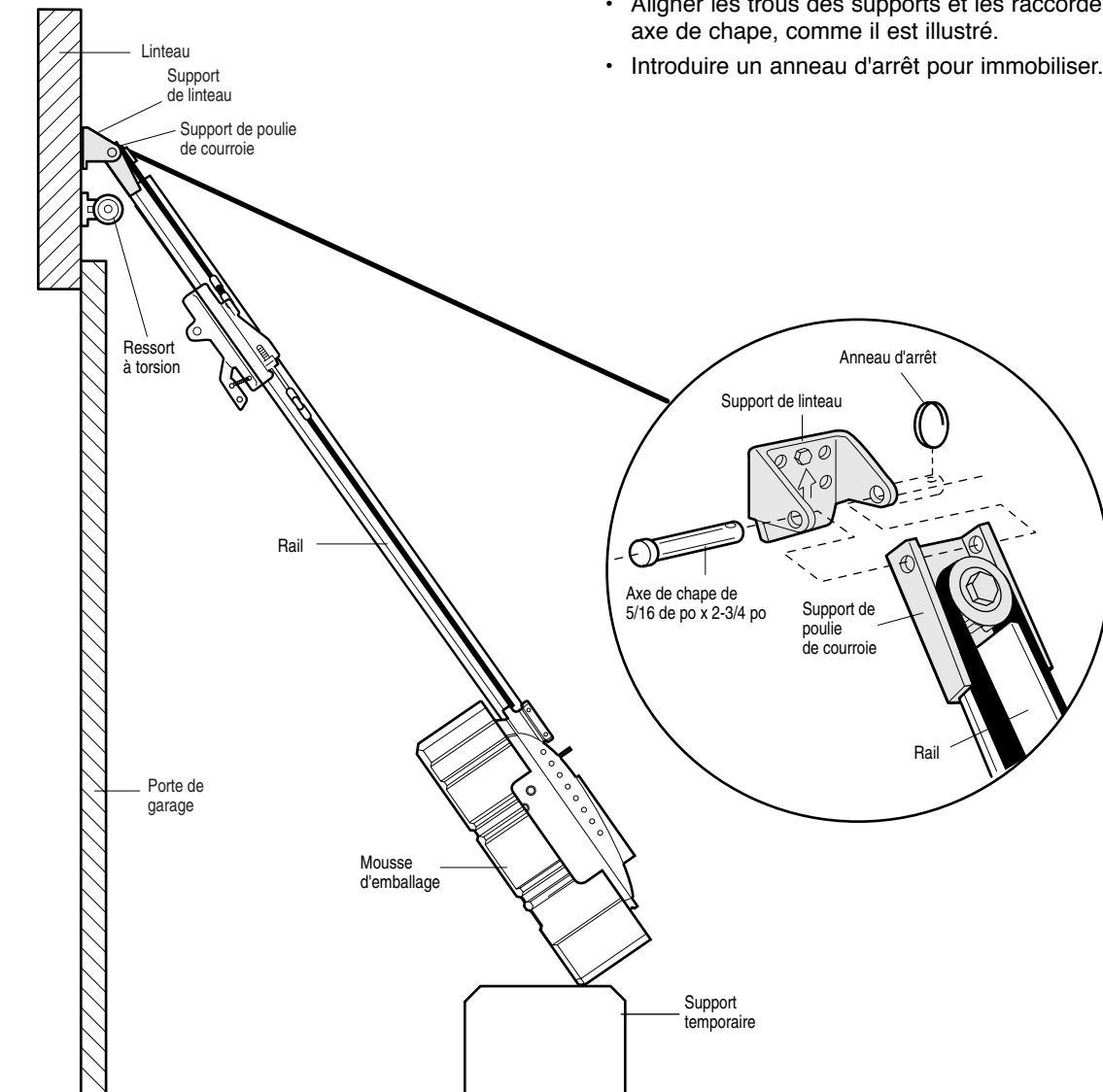
Le trou du clou n'est prévu que pour le positionnement seulement. Des tire-fond doivent être utilisés pour fixer le support de linteau.



## POSE - 3<sup>e</sup> OPÉRATION

### Fixation du rail sur le support de linteau

- Positionner l'ouvre-porte de garage sur le plancher, juste sous le support de linteau. Utiliser une des boîtes d'emballage pour le protéger. **REMARQUE** : Si le ressort de la porte gêne, il faudra demander de l'aide. Demander à une personne de bien retenir l'ouvre-porte sur un support temporaire de façon que le rail ne touche pas le ressort.
- Positionner le support du rail contre le support de linteau.
- Aligner les trous des supports et les raccorder avec un axe de chape, comme il est illustré.
- Introduire un anneau d'arrêt pour immobiliser.



## POSE - 4<sup>e</sup> OPÉRATION

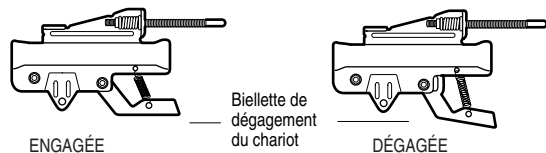
### Positionnement de l'ouvre-porte

Suivre les instructions qui se rapportent à la porte de garage particulière, en se rapportant aux illustrations.

#### PORTE ARTICULÉE OU PORTE RIGIDE AVEC GUIDES

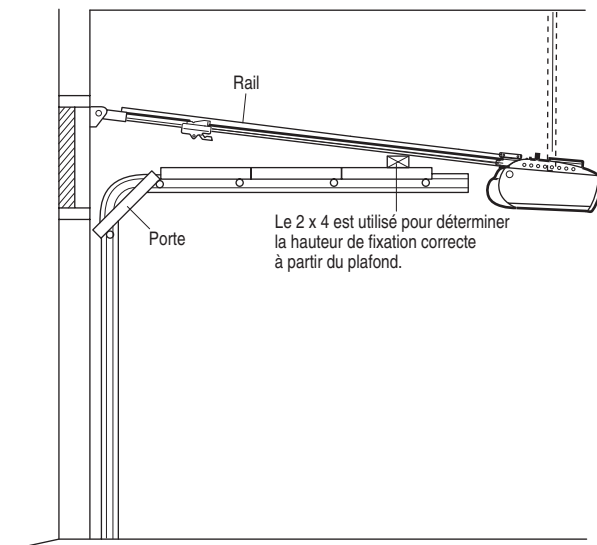
Un 2 x 4 posé à plat convient très bien pour obtenir l'espace qu'il faut entre la porte et le rail.

- Enlever l'emballage en mousse.
- Lever l'ouvre-porte et le faire reposer sur un escabeau. Si l'escabeau n'est pas assez haut, demander de l'aide.
- Ouvrir complètement la porte et mettre un 2 x 4 à plat sur sa partie supérieure, sous le rail.
- Si le panneau ou la section du dessus vient en contact avec le chariot lorsqu'on lève la porte, tirer sur la biellette de dégagement du chariot pour dégager le chariot intérieur du chariot extérieur. Faire glisser le chariot extérieur vers le moteur. Il ne sera pas nécessaire de réassembler le chariot avant la fin de l'opération 12.



## ATTENTION

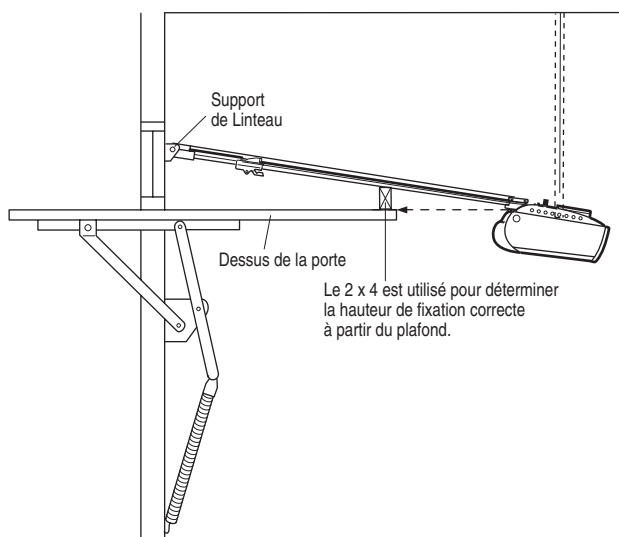
Pour prévenir les dommages à la porte de garage, faire reposer le rail de l'ouvre-porte de garage sur un 2 x 4 placé sur la section supérieure de la porte.



#### PORTE RIGIDE SANS GUIDES

Poser un 2x4 sur son côté très bien pour obtenir l'espace qu'il faut entre la porte et le rail.

- Enlever l'emballage en mousse.
- Lever l'ouvre-porte et le faire reposer sur un escabeau. Si l'escabeau n'est pas assez haut, demander de l'aide.
- Ouvrir complètement la porte et mettre un 2 x 4 sur son côté sur sa partie supérieure, sous le rail.
- Le haut de la porte doit être à la même hauteur que le dessus du moteur. Ne pas positionner l'ouvre-porte à plus de 4 pouces au-dessus de ce point.





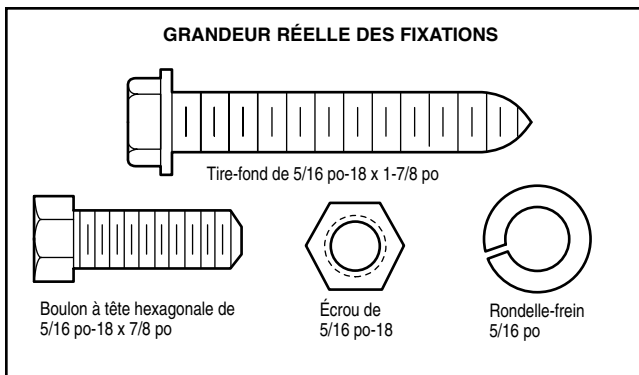
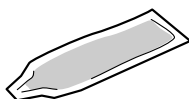
## POSE - 5<sup>e</sup> OPÉRATION

### Accrochage de l'ouvre-porte

Trois installations représentatives sont illustrées. Votre installation peut être différente. Les cornières-crochets doivent être inclinées, voir figure 1, afin de fournir un support rigide. Dans le cas des plafonds finis, voir figure 2, attachez une cornière métallique solide aux supports structural avant d'installer l'ouvre-porte. La cornière et le matériel de fixation ne sont pas fournis.

Les supports encore en place à la suite d'une installation antérieure peuvent être attachés aux côtés du bloc moteur, comme illustré aux figures 1 et 2, ou aux languettes de montage comme illustré à la figure 3. Poursuivez ensuite avec l'étape 5 ci-après.

1. Mesurer, de chaque côté de l'ouvre-porte, la distance entre l'ouvre-porte et les solives.
2. Couper les deux supports de suspension à la longueur requise.
3. Percer des avant-trous de 3/16 pouce dans les solives.
4. Fixer une extrémité de chaque support de suspension sur une solive avec des tire-fond de 5/16 po -18 x 1-7/8 po.
5. Fixer l'ouvre-porte aux supports de suspension à l'aide de boulons hexagonaux de 5/16 po -18 x 7/8 po, de rondelles de blocage et d'écrous.
6. S'assurer que le rail est centré au-dessus de la porte (ou dans le prolongement du support de linteau si le support n'est pas centré au-dessus de la porte).
7. Retirer le 2 x 4. Faire fonctionner la porte manuellement. Si la porte frappe le rail, lever le support de linteau.
8. Graisser le dessus et le dessous de la surface du rail où glisse le chariot à l'aide de graisse à rail.



## ⚠ AVERTISSEMENT

Pour éviter d'éventuelles BLESSURES GRAVES par suite de la chute d'un ouvre-porte de garage, fixer l'ouvre-porte SOLIDEMENT aux solives du garage. On DOIT utiliser des ancrages de béton si les supports sont posés dans la maçonnerie.

Figure 1

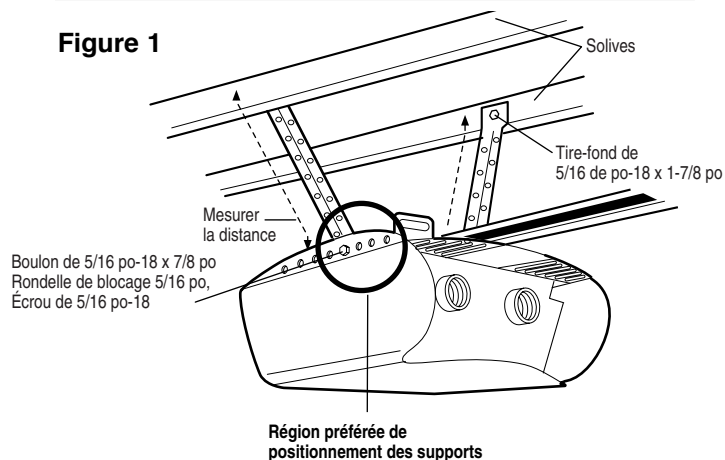


Figure 2

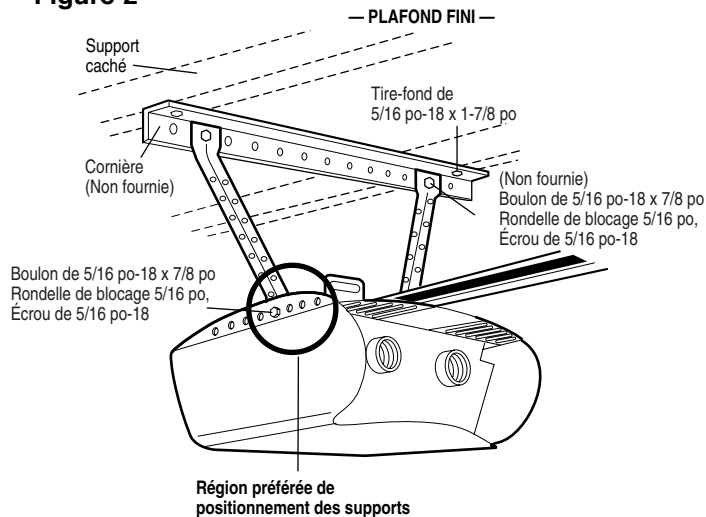
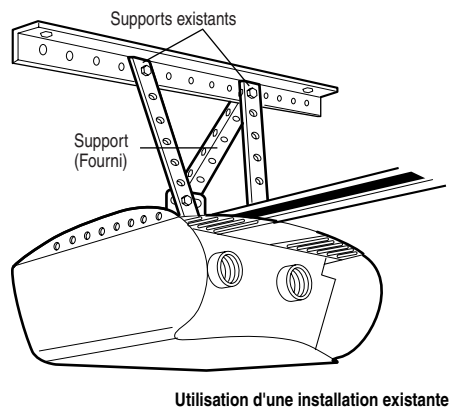


Figure 3



## POSE - 6<sup>e</sup> OPÉRATION

### Pose de la commande de porte

Poser la commande murale dans un endroit où on pourra la voir de la porte, à au moins 5 pieds du sol, là où les enfants ne pourront pas l'atteindre et loin de toutes les pièces mobiles et fixations de la porte. La surface de montage doit être lisse et plate. Si les murs sont des murs secs, percer des trous de 5/32 pouce (Figure 1) et utiliser les chevilles fournies. Pour les installations précâblées (comme dans la construction d'une maison neuve), on peut la monter sur une boîte simple (Figure 2). **REMARQUE :** Après l'installation, un témoin lumineux vert derrière le couvercle indiquera un branchement approprié. S'il n'est pas allumé, les fonctions de blocage et d'éclairage ne fonctionneront pas (inverser les fils pour corriger).

1. Dénuder 7/16 de pouce à chaque extrémité des fils de sonnerie; brancher les fils sur les deux bornes filetées qui se trouvent à l'arrière de la commande de porte et ceci d'après: blanc à WHT; blanc/rouge à RED (Figure 3).
2. Retirer le couvercle blanc en forçant doucement un coin latéral près de la partie supérieure du couvercle avec un petit tournevis à lame plate (Figure 4). Fixer à l'aide de vis autotaraudeuses 6AB x 1-1/4 po (installation standard) ou de vis à métaux 6-32 x 1 po (dans la boîte simple) comme suit:
  - Percer et poser la vis inférieure en laissant 1/8 po faire saillie du mur.
  - Placer le bas de la commande de porte par-dessus la tête de vis et ajuster pour un ajustement doux.
  - Percer et poser la vis supérieure soigneusement afin d'éviter de fissurer le boîtier en plastique. **Ne pas serrer excessivement.**
  - Remettre le couvercle en place en insérant les languettes inférieures et en enclenchant en place. (Pour retirer le couvercle après la pose, forcer doucement un coin latéral près de la partie supérieure du couvercle blanc avec un trombone ou un petit tournevis à lame plate).

**REMARQUE:** Le gros bouton-poussoir peut rester coincé si la commande de porte n'est pas montée sur une surface lisse. Si aucun clic ne se fait entendre en appuyant sur le gros bouton-poussoir, desserrer les deux vis de montage ou déplacer la commande de porte à une surface plus lisse.

3. (Installation standard seulement) Faites monter le fil sonnerie le long du mur et à travers le plafond vers le moteur. Utilisez des agrafes isolées pour attacher le fil à plusieurs endroits. Ne pas percer le fil à l'aide d'une agrafe, ce qui créerait un court-circuit.
4. Dénuder 7/16 po d'isolation à l'extrémité du fil de sonnerie. Raccorder le fil de sonnerie aux bornes à raccordement rapide comme suit: le fil blanc à blanc et le fil blanc/rouge à rouge (Figure 5).
5. Utiliser des punaises ou des agrafes pour fixer en permanence l'étiquette d'avertissement de prise au piège sur le mur près de la commande de porte, et l'étiquette d'essai d'inversion de sécurité/ouverture manuelle bien en vue à l'intérieur de la porte de garage.

**REMARQUE :** Ne PAS brancher et faire fonctionner l'ouvre-porte pour le moment. Le chariot se déplacera jusqu'à la position complètement ouverte mais ne reviendra pas à la position complètement fermée avant que le faisceau détecteur soit branché et correctement aligné. Voir les instructions au sujet du détecteur inverseur de sécurité à partir de la page 17.

## AVERTISSEMENT

Pour prévenir d'éventuelles BLESSURES GRAVES ou LA MORT par suite d'électrocution :

- S'assurer que le courant est coupé AVANT de poser la commande de porte.
- Raccorder UNIQUEMENT à des fils basse tension 24 V.

Pour prévenir d'éventuelles BLESSURES GRAVES ou LA MORT par suite d'une porte de garage qui se ferme :

- Poser la commande de porte en vue de la porte de garage, hors de la portée des enfants à une hauteur minimum de 5 pieds, et à l'écart de toutes les pièces mobiles de la porte.
- Ne JAMAIS laisser des enfants faire fonctionner les boutons-poussoirs de la commande de porte ou les émetteurs de la télécommande, ni jouer avec ceux-ci.
- Actionner la porte UNIQUEMENT lorsqu'on la voit clairement, qu'elle est bien réglée et que rien n'en gêne la course.
- TOUJOURS garder la porte de garage en vue jusqu'à ce qu'elle soit complètement fermée. Ne JAMAIS laisser personne croiser le chemin d'une porte de garage qui se ferme.

### GRANDEUR RÉELLE DES FIXATIONS

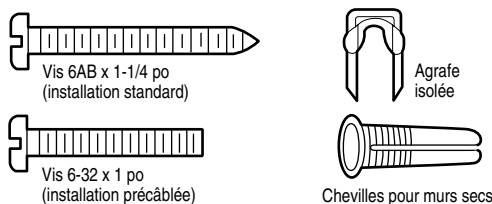
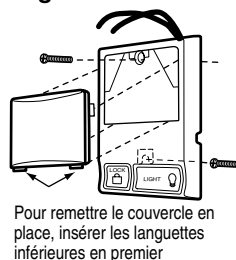
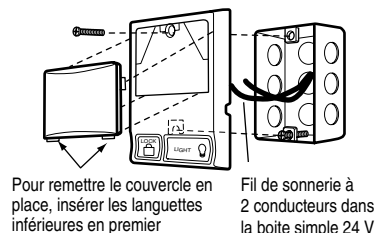


Figure 1 INSTALLATION STANDARD

Figure 2 INSTALLATION PRÉ-CÂBLÉE



Pour remettre le couvercle en place, insérer les languettes inférieures en premier



Pour remettre le couvercle en place, insérer les languettes inférieures en premier

Fil de sonnerie à 2 conducteurs dans la boîte simple 24 V

Figure 3 PANNEAU COMMANDE DE PORTE (ARRIÈRE)

Figure 4 RETIRER LE COUVERCLE

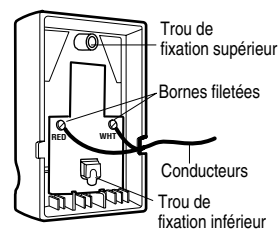
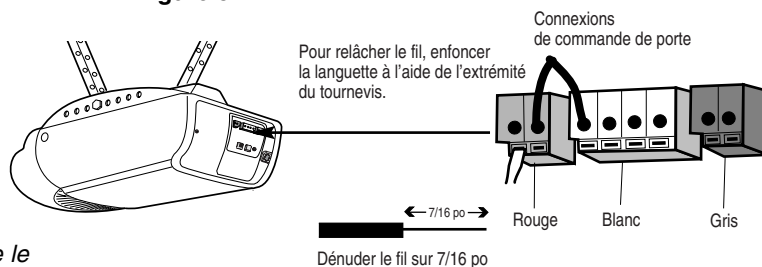


Figure 5



## POSE - 7<sup>e</sup> OPÉRATION

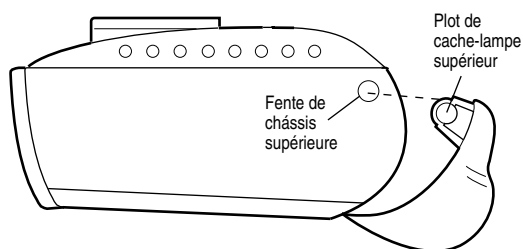
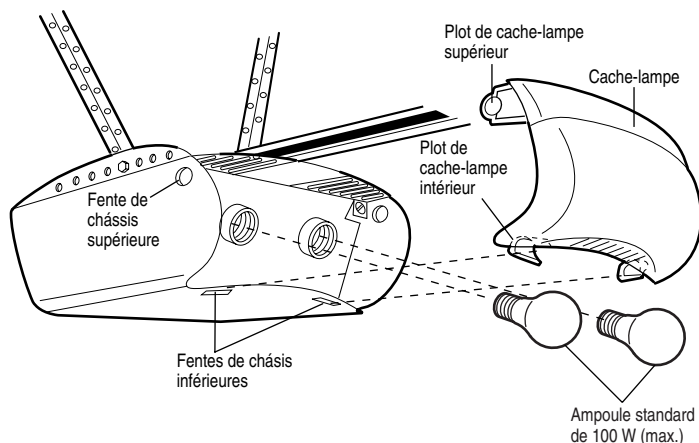
### Pose des ampoules et des diffuseurs

- Appuyer sur les languettes de dégagement des deux côtés du diffuseur. Faire pivoter le diffuseur délicatement vers l'arrière et le bas jusqu'à ce que la charnière du diffuseur soit complètement ouverte. Ne pas retirer le diffuseur.
- Visser une ampoule de 100 watts maximum dans chaque douille. La lumière s'allumera et restera allumée pendant environ 4-1/2 minutes aussitôt que le courant sera établi. La lumière s'éteindra ensuite.
- Inverser la procédure pour fermer le diffuseur.
- Si l'ampoule brûle prématurément en raison de la vibration, remplacer-la par une ampoule d'ouvre-porte de garage.

## ATTENTION

Pour éviter toute SURCHAUFFE éventuelle du panneau d'éclairage,

- NE PAS utiliser d'ampoules à col court ou de forme spéciale.
- NE PAS utiliser d'ampoules halogène. Utiliser **UNIQUEMENT** des ampoules incandescentes.



## POSE - 8<sup>e</sup> OPÉRATION

### Pose de la corde et de la poignée de déclenchement d'urgence

- Faire passer une extrémité de la corde dans le trou supérieur de la poignée rouge de façon que le mot « NOTICE » puisse être lu à l'endroit. Fixer à l'aide d'un nœud simple à au moins 1 po de l'extrémité de la corde, pour empêcher le glissement.
- Passer l'autre extrémité de la corde dans le trou du levier de déclenchement du chariot extérieur.
- Ajuster la longueur de la corde de façon que la poignée soit à environ 6 pieds du sol. Fixer la corde à l'aide d'un nœud simple.

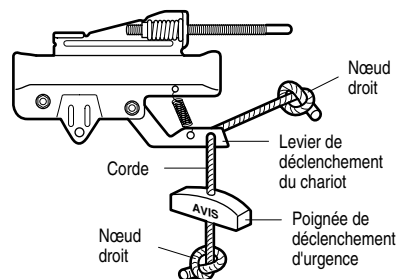
**REMARQUE :** Si la corde doit être coupée, brûler légèrement l'extrémité coupée pour empêcher qu'elle ne s'effiloche.

## AVERTISSEMENT

Pour prévenir d'éventuelles BLESSURES GRAVES ou LA MORT par suite de la chute d'une porte de garage :

- Si possible, utiliser la poignée de déclenchement d'urgence pour dégager le chariot **UNIQUEMENT** lorsque la porte de garage est FERMÉE. Des ressorts faibles ou brisés ou une porte déséquilibrée peuvent causer la chute rapide et/ou imprévue d'une porte ouverte.
- Ne JAMAIS utiliser la poignée de déclenchement d'urgence à moins que l'entrée de garage ne soit dégagée (absence de personnes et d'obstacle).

Ne JAMAIS utiliser la poignée pour ouvrir ou fermer la porte. Il y a risque de chute si le nœud de la corde se défait.

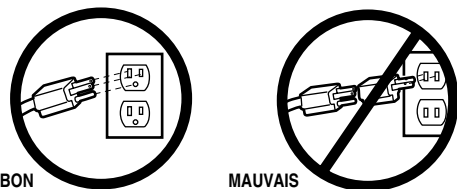


## POSE - 9<sup>e</sup> OPÉRATION

### Exigences électriques

**Pour éviter les difficultés pendant la pose, ne pas faire fonctionner l'ouvre-porte pour le moment.**

Afin de minimiser les risques de chocs électriques, le cordon d'alimentation de l'ouvre-porte de garage comporte une fiche à trois broches, dont une de mise à la terre. Cette fiche ne peut être branchée que dans une prise de courant mise à la terre. Si la fiche ne peut pas être branchée dans la prise de courant qui existe, s'adresser à un électricien qualifié pour faire poser une prise de courant adéquate.



**Si les codes municipaux exigent une installation électrique permanente, procéder comme suit.**

Pour procéder à un branchement permanent par le trou de 7/8 po pratiqué au-dessus du moteur :

- Retirer les vis du couvercle du moteur et mettre le couvercle de côté.
- Débrancher le cordon à 3 fils.
- Brancher le fil noir (courant secteur) sur la vis de la borne en laiton; le fil blanc (neutre) sur la vis de la borne en argent, puis le fil de terre sur la vis verte de terre.

**L'ouvre-porte doit obligatoirement être mis à la terre.**

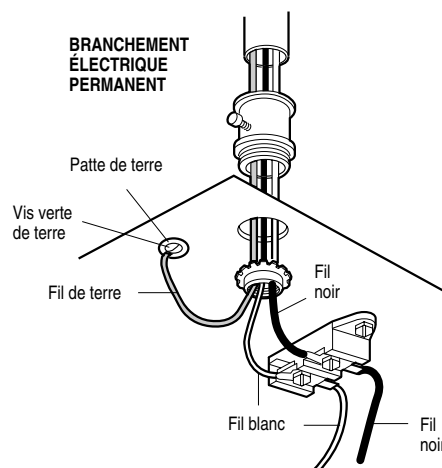
- Reposer le couvercle.

**Pour éviter les difficultés pendant la pose, ne pas faire fonctionner l'ouvre-porte pour le moment.**

## AVERTISSEMENT

Pour prévenir d'éventuelles BLESSURES GRAVES ou LA MORT par suite d'électrocution ou d'un incendie :

- S'assurer que l'ouvre-porte est hors tension et couper le courant au circuit AVANT de retirer le couvercle pour procéder à un branchement permanent.
- La pose et le câblage de la porte de garage DOIVENT être conformes à tous les codes électriques et de construction locaux.
- Ne JAMAIS utiliser de cordon de rallonge ou d'adaptateur bifilaire ni modifier la fiche de quelque manière que ce soit pour l'insérer dans la prise. S'assurer que l'ouvre-porte est mis à la terre.



## POSE - 10<sup>e</sup> OPÉRATION

### Pose du Système Protector<sup>®</sup>

Les détecteurs inverseurs de sécurité *doivent* être bien branchés et bien alignés avant que l'ouvre-porte de garage puisse fermer la porte.

#### INFORMATIONS IMPORTANTES AU SUJET DU DÉTECTEUR INVERSEUR DE SÉCURITÉ

Lorsqu'il est bien raccordé et aligné, le détecteur détecte un obstacle dans le parcours de son faisceau électronique. La cellule émettrice (avec un témoin lumineux orange) transmet un faisceau de lumière invisible à la cellule réceptrice (avec un témoin lumineux vert). Si un obstacle brise le faisceau de lumière pendant que la porte se ferme, la porte s'arrêtera et remontera jusqu'à la position entièrement ouverte, et les lumières de l'ouvre-porte clignoteront 10 fois.

Les unités doivent être posées à l'intérieur du garage de manière à ce que la cellule émettrice et la cellule réceptrice se fassent face l'une l'autre de part et d'autre de la porte, à pas plus de 6 po au-dessus du sol. L'une ou l'autre peut être posée à gauche ou à droite de la porte pourvu que le soleil n'éclaire jamais directement la cellule réceptrice.

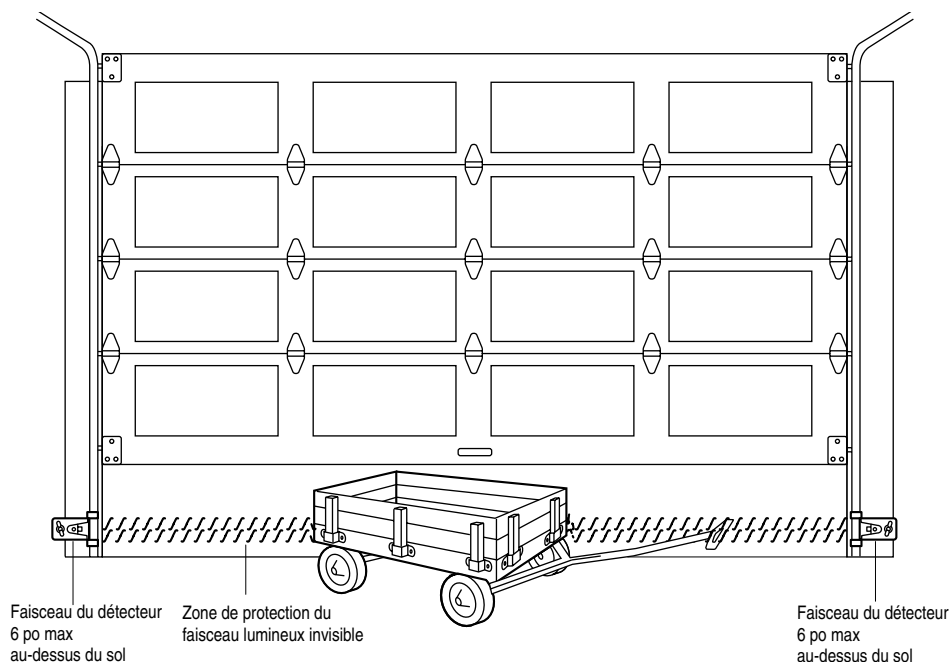
Les supports de montage sont conçus en vue de leur fixation par pince sur le guide des portes de garage articulées sans fixations supplémentaires.

## ⚠ AVERTISSEMENT

- S'assurer que l'ouvre-porte de garage est hors tension AVANT de poser le détecteur inverseur de sécurité.
- Pour prévenir des BLESSURES GRAVES ou LA MORT par suite d'une porte de garage qui se ferme :
  - Raccorder et aligner correctement le détecteur inverseur de sécurité. Ce dispositif de sécurité requis NE DOIT PAS être désactivé.
  - Poser le détecteur inverseur de sécurité de manière à ce que le faisceau NE SOIT PAS À UNE HAUTEUR de plus de 6 po au-dessus du plancher du garage.

Si les unités doivent être montées sur le mur, les supports doivent être fixés fermement à une surface solide telle que la charpente du mur. On peut se procurer des supports de rallonge (se reporter à la section Accessoires), au besoin. Si la pose se fait dans une construction en maçonnerie, ajouter un morceau de bois à chaque endroit pour éviter de percer des trous supplémentaires dans la maçonnerie si un repositionnement est nécessaire.

Il ne doit y avoir aucun obstacle sur le parcours du faisceau de lumière invisible. Aucune partie de la porte de garage (ni les guides, les ressorts, les charnières, les rouleaux ou autres fixations de la porte) ne doit interrompre le faisceau pendant que la porte se ferme.



Faisant face à la porte depuis l'intérieur du garage

## POSE DES SUPPORTS

### S'assurer que l'ouvre-porte est hors tension.

Poser et aligner les supports de manière à ce que les détecteurs se fassent face l'un l'autre de part et d'autre de la porte du garage, le faisceau n'étant pas à une hauteur de plus de 6 po au-dessus du sol. Ils peuvent être posés de trois façons, comme suit.

#### **Pose aux guides de la porte de garage (mode préféré) :**

- Faire glisser les bras courbés par-dessus le bord arrondi de chaque guide de porte, les bras courbés étant dirigés vers la porte. Enclencher en place contre le côté du guide. Il doit reposer à plat, avec le rebord embrassant le bord arrière du guide, comme illustré à la Figure 1.

Si votre guide de porte ne supporte pas solidement le support, une pose murale est recommandée.

#### **Pose murale (Figure 2 et 3):**

- Placer le support contre le mur, les bras courbés étant dirigés vers la porte. S'assurer qu'il y a un dégagement suffisant et qu'aucun obstacle n'est dans le parcours du faisceau du détecteur.
- Si une profondeur supplémentaire est nécessaire, on peut employer un support de rallonge (Se reporter à la section Accessoires) ou des blocs de bois.
- Utiliser les trous de montage de support comme gabarits pour positionner et percer deux avant-trous de 3/16 po de diamètre sur le mur de chaque côté de la porte, à une hauteur maximale de 6 po du sol.
- Fixer les supports au mur à l'aide de tire-fond (Non Fournis).
- Si des supports de rallonge ou des blocs de bois sont employés, ajuster les ensembles droit et gauche à la même distance vers l'extérieur depuis la surface de montage. S'assurer qu'il n'y a aucune obstacle de ferrure de porte.

#### **Pose au sol (Figure 4):**

- Utiliser des blocs de bois ou des supports de rallonge (Se reporter à la section Accessoires) pour élever les supports de détecteur de manière à ce que les diffuseurs ne soient pas à plus de 6 po au-dessus du sol.
- Mesurer soigneusement et placer les ensembles droit et gauche à la même distance vers l'extérieur depuis le mur. S'assurer qu'il n'y a aucune obstruction de ferrure de porte.
- Fixer au sol à l'aide des ancrages de béton, comme illustré.

Figure 1 MONTAGE SUR GUIDES DE PORTE (CÔTÉ DROIT)

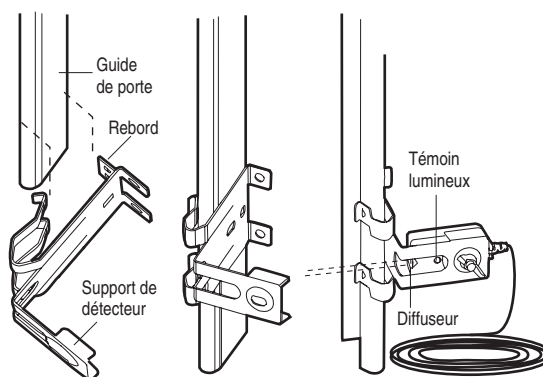


Figure 2

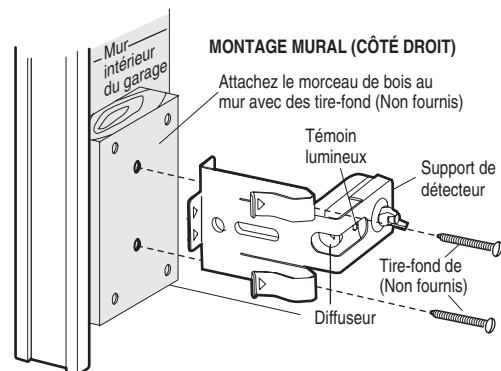


Figure 3

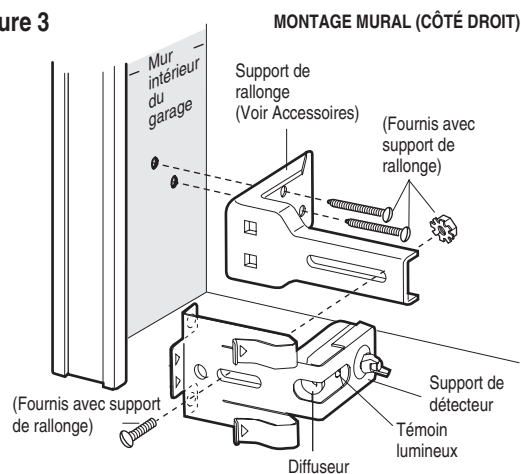
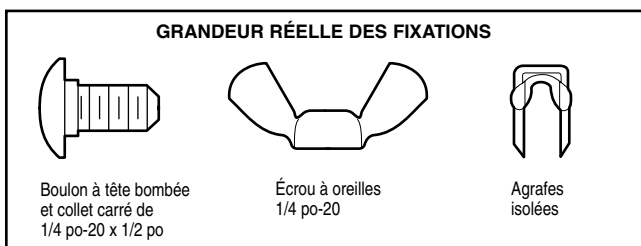
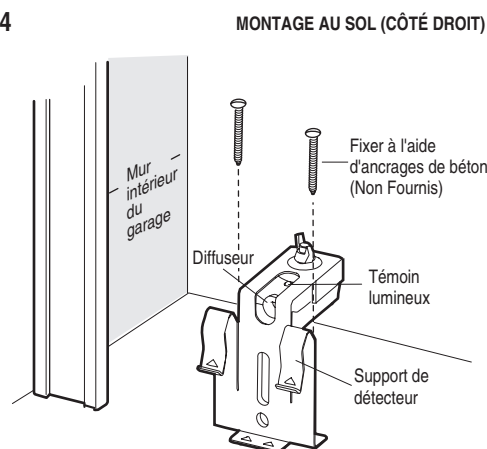


Figure 4



## MONTAGE ET CÂBLAGE DES DÉTECTEURS INVERSEURS

- Faire glisser un boulon à tête bombée et collet carré de 1/4 po-20 x 1/2 po dans la fente de chaque capteur. Utiliser des écrous à oreilles pour fixer les détecteurs aux supports, avec les diffuseurs dirigés l'un vers l'autre à travers la porte. S'assurer que le diffuseur n'est pas obstrué par une rallonge de support (Figure 4).
- Serrer les écrous à oreilles à la main.
- Acheminer les fils des deux détecteurs à l'ouvre-porte. Utiliser des agrafes isolées pour fixer le fil au mur et au plafond.
- Dénuder 7/16 po d'isolation de chaque série de fils. Séparer les fils blanc et blanc/noir suffisamment pour raccorder les bornes à raccordement rapide de l'ouvre-porte: blanc à blanc et blanc/noir à gris (Figure 5).

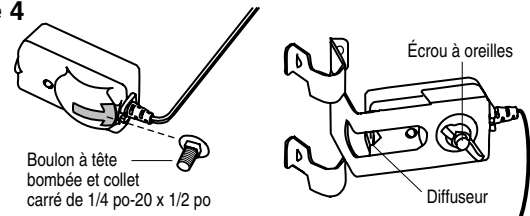
## ALIGNEMENT DES DÉTECTEURS INVERSEURS

- Brancher l'ouvre-porte dans la prise de courant. Les témoins des cellules émettrice et réceptrice s'allumeront et *resteront allumés* si les connexions électriques sont bonnes et si l'alignement est correct.

Le témoin lumineux orange de la cellule *émettrice* s'allumera indépendamment de l'alignement ou de l'obstruction. Si le témoin lumineux vert de la cellule *réceptrice* est éteint, faible ou clignotant (et que la trajectoire du faisceau lumineux invisible n'est pas obstruée), aligner les deux détecteurs.

- Desserrer l'écrou de la cellule *émettrice* et ajuster de façon à ce qu'elle vise directement la cellule *réceptrice*. Serrer l'écrou.
- Desserrer l'écrou de la cellule *réceptrice* et régler le détecteur jusqu'à ce qu'il reçoive le faisceau de la cellule *émettrice*. Lorsque le témoin vert reste allumé, serrer l'écrou.

Figure 4

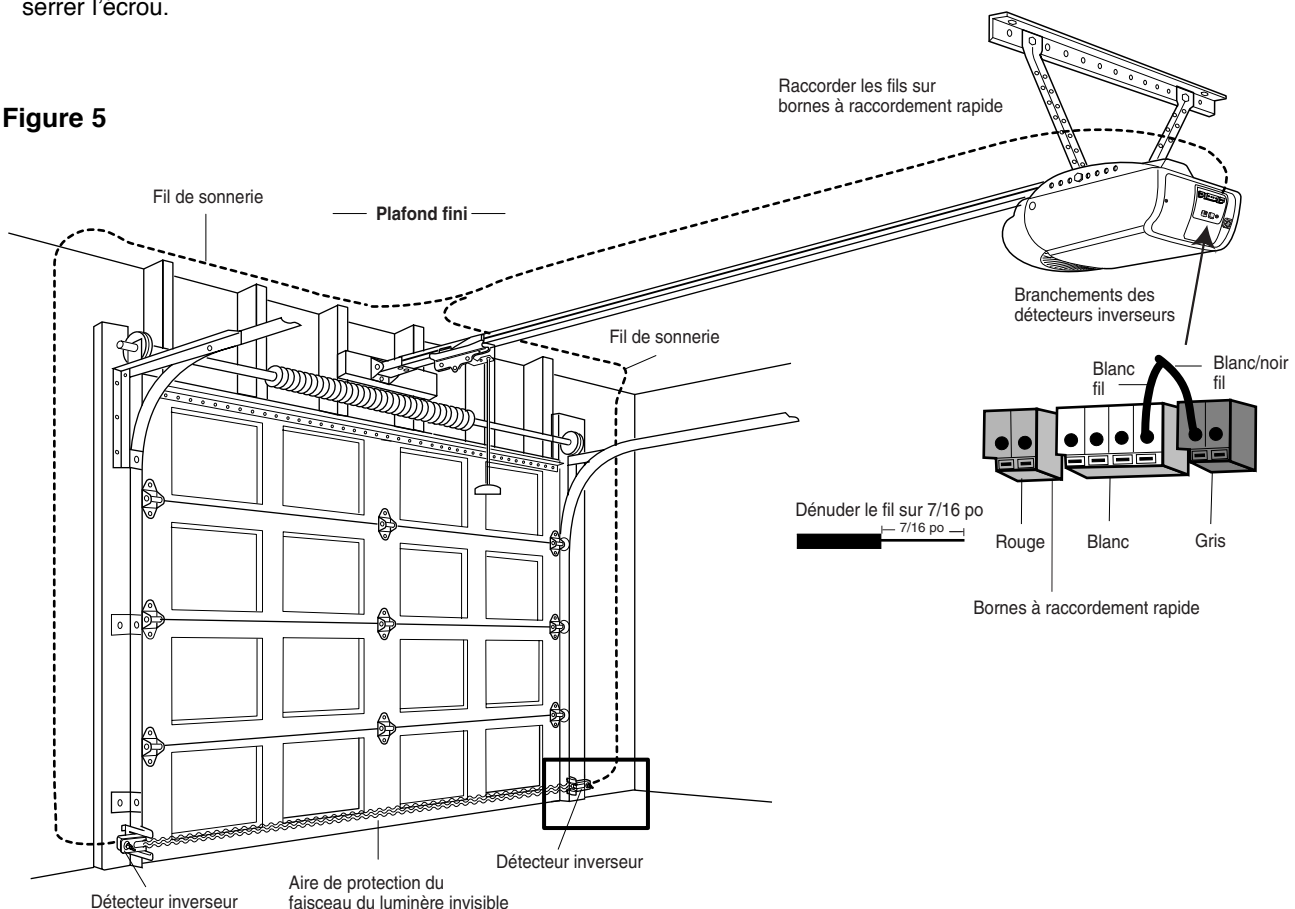


## DÉPANNAGE DES DÉTECTEURS INVERSEURS DE SÉCURITÉ

1. Si, lorsque la pose est terminée, le témoin de la cellule *émettrice* ne reste pas constamment allumé après l'installation, s'assurer :
  - Que le courant électrique parvient bien à l'ouvre-porte.
  - Qu'il n'y a pas de court-circuit dans les fils blanc ou blanc/noir. Ces court-circuits peuvent se produire sous les agrafes ou à la hauteur des branchements des bornes filetées.
  - Le câblage est bien fait entre les détecteurs et l'ouvre-porte.
  - Qu'il n'y a pas de fil brisé.
2. Si le témoin de la cellule *émettrice* est allumé alors que le témoin de la cellule *réceptrice* est éteint :
  - Vérifier l'alignement.
  - Vérifier s'il y a un fil brisé dans la cellule *réceptrice*.
3. Si le témoin de la cellule *réceptrice* est faible, aligner l'un ou l'autre des détecteurs.

**REMARQUE :** Lorsque le faisceau invisible est obstrué ou mal aligné quand la porte se ferme, cette dernière remontera. Si la porte est déjà ouverte, elle ne se fermera pas. La lumière de l'ouvre-porte clignotera 10 fois (si l'ampoule n'est pas posée, 10 clics se feront entendre). Voir page 17.

Figure 5



## POSE - 11<sup>e</sup> OPÉRATION

### Fixation du support de porte

Suivre les instructions qui correspondent au type de porte, comme il est illustré ci-dessous ou à la page suivante.

**Un renfort horizontal doit être suffisamment long pour être fixé à deux ou trois supports verticaux. Un renfort vertical doit couvrir la hauteur du panneau supérieur.**

La figure 1 illustre un morceau de cornière utilisé en tant que renfort horizontal. Pour le renfort vertical, 2 morceaux de cornière sont utilisés de façon à créer un support en forme de U. La meilleure solution consiste à s'adresser au fabricant de la porte de garage pour obtenir un nécessaire de renforts de porte afin de pouvoir poser l'ouvre-porte de garage.

**REMARQUE :** Bon nombre de nécessaires de renforts de porte prévoient la fixation directe de l'axe de chape et de la biellette de porte. Le support de porte est alors inutile; procéder à l'étape 12.

### PORTES ARTICULÉES

1. Centrer le support de la porte avec l'axe vertical précédemment tracé et utilisé pour la pose du support de linteau. Il convient de noter le positionnement correct de « UP » (vers le haut), comme estampillé à l'intérieur du support.
2. Positionner le bord supérieur du support de 2 à 4 pouces plus bas que le bord supérieur de la porte, OU directement sous toute solive à travers le haut de la porte.
3. Marquer, percer des trous et poser comme indiqué ci-après, selon la construction de votre porte :

**Portes métalliques ou légères utilisant une ferrure angulaire verticale entre le support du panneau de porte et le support de porte :**

- Percer des trous de fixation de 3/16 po. Fixer le support de porte à l'aide des deux vis autotaraudeuses de 1/4 po-14 x 5/8 po. (Figure 2A)
- On peut également utiliser deux boulons de 5/16 po, des rondelles de blocage et des écrous (non fournis). (Figure 2B)

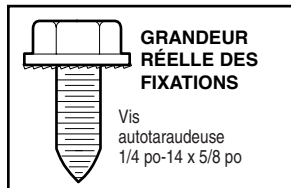
**Portes métalliques, isolées ou légères renforcées à l'usine :**

- Percer des trous de fixation de 3/16 po. Fixer le support de porte à l'aide des vis autotaraudeuses (Figure 3).

**Portes en bois :**

- Utiliser les trous supérieurs et inférieurs ou latéraux de support de porte. Percer des trous de 5/16 po à travers la porte et fixer le support à l'aide de boulons à tête bombée et à collet carré de 5/16 po x 2 po, des rondelles de blocage et des écrous (non fournis). (Figure 4)

**REMARQUE :** Les vis autotaraudeuses de 1/4 po-14 x 5/8 po ne sont pas prévues pour être utilisées sur des portes en bois.



## ATTENTION

Pour prévenir les dommages à la porte de garage, renforcer l'intérieur de la porte par une ferrure angulaire, tant verticalement qu'horizontalement.

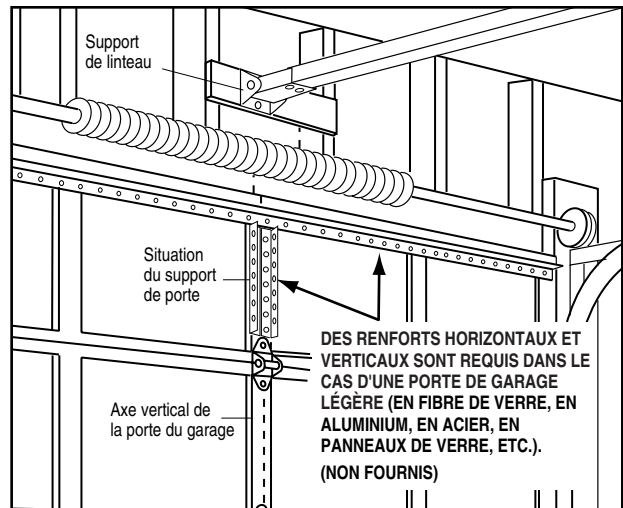


Figure 1

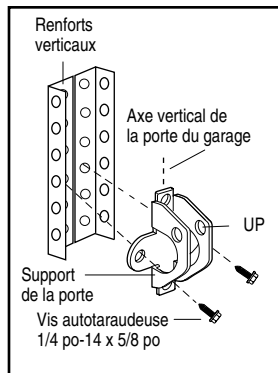


Figure 2A

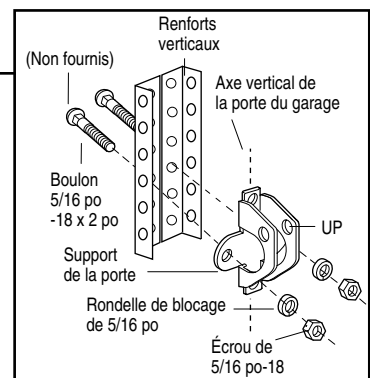


Figure 2B

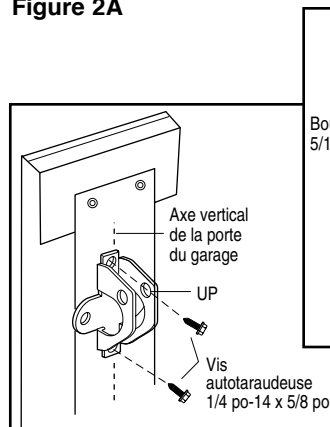


Figure 3

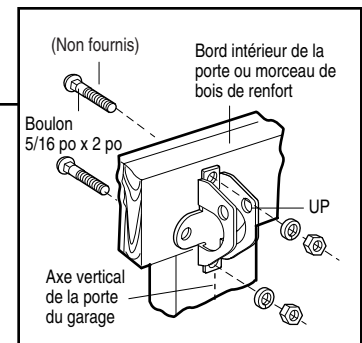


Figure 4

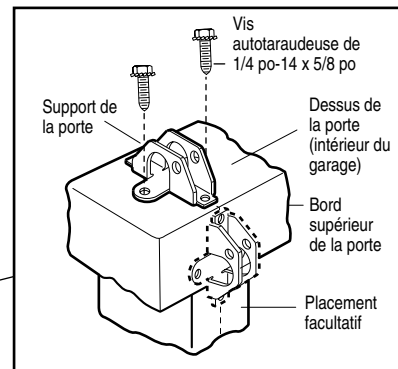
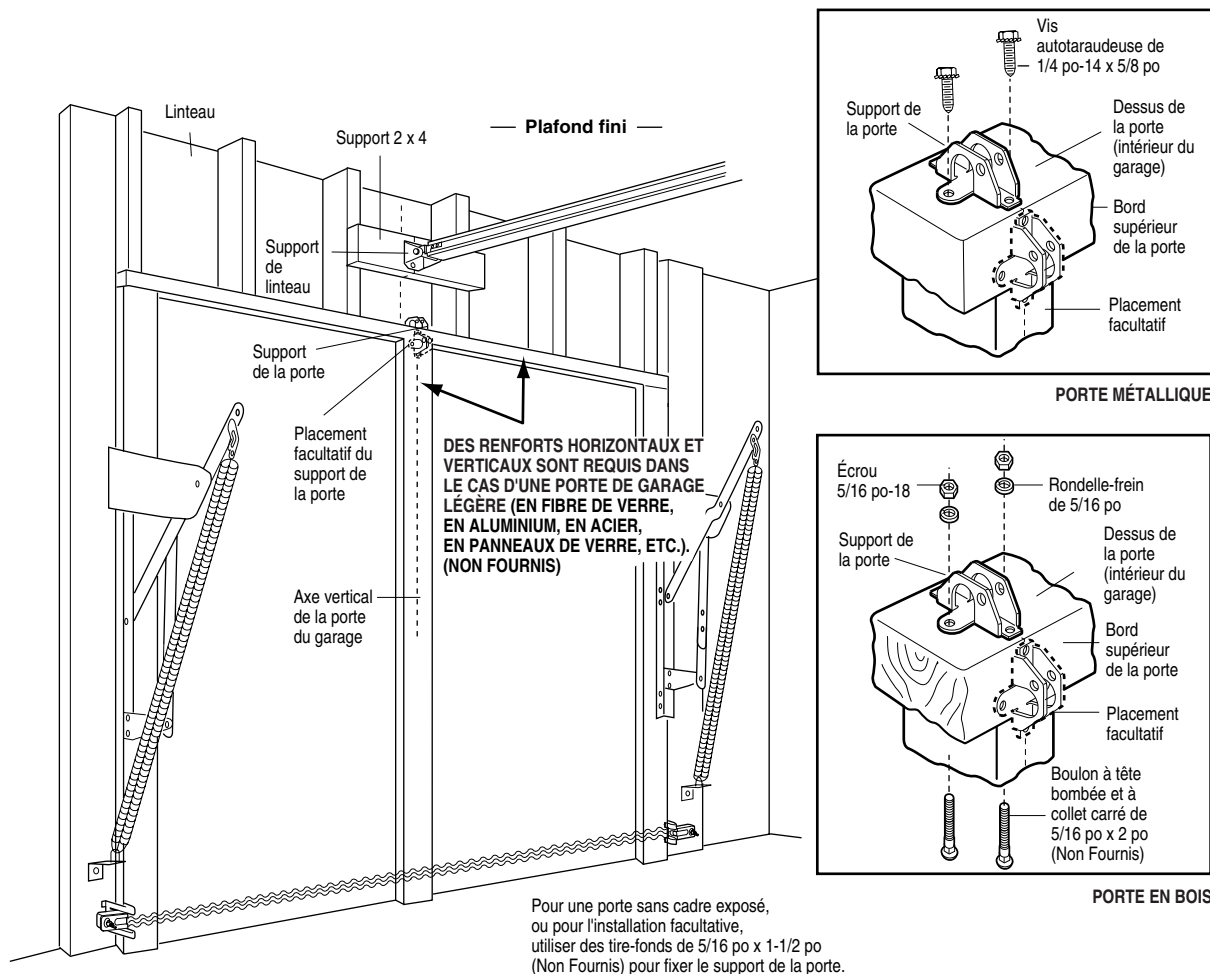
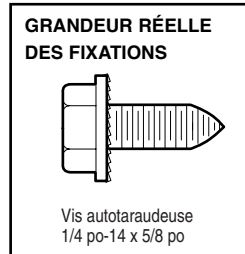


## PORTES RIGIDES

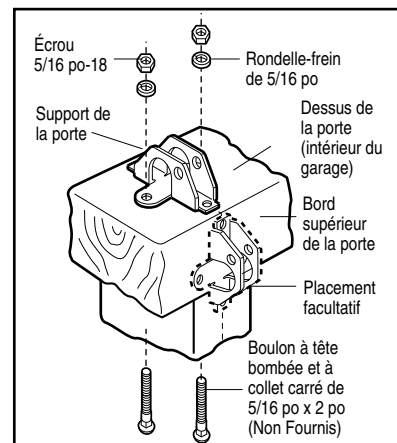
Prière de lire et de suivre les avertissements et les instructions de renforcements à la page précédente. Ils s'appliquent également aux portes rigides.

- Centrer le support de porte sur le dessus de la porte, en l'alignant avec le support de linteau, comme il est illustré. Repérer soit les trous de gauche et de droite, soit les trous du haut et du bas.
- **Portes métalliques** : Percer des avant-trous de 3/16 pouce, puis fixer le support de la porte à l'aide des vis autotaraudeuses de 1/4 po-14 x 5/8 po fournies.
- **Portes en bois** : Percer des trous de 5/16 po et utiliser des boulons à tête bombée et à collet carré de 5/16 po x 2 po, des rondelles de blocage et des écrous (non fournis) ou des tire-fond de 5/16 po x 1-1/2 po (non fournis) suivant les besoins particuliers de l'installation.

**REMARQUE** : Le support de porte peut être posé sur le bord supérieur de la porte, si nécessaire pour une installation particulière. (Se reporter au dessin du positionnement facultatif à la ligne pointillée.)



PORTE MÉTALLIQUE



PORTE EN BOIS

## POSE - 12<sup>e</sup> OPÉRATION

### Fixation de la biellette au chariot

Suivre uniquement les instructions se reportant à votre type de porte, comme illustré ci-dessous et à la page suivante.

#### PORTE ARTICULÉE SEULEMENT

- S'assurer que la porte du garage est complètement fermée. Tirer la poignée de déclenchement d'urgence pour détacher le chariot extérieur du chariot intérieur. Reculer le chariot extérieur (en l'éloignant de la porte) d'environ 2 pouces, comme illustré aux figures 1, 2 et 3.
- **Figure 1 :**
  - Fixer la biellette droite sur le chariot extérieur à l'aide d'un axe de chape de 5/16 po x 1 po. Faire tenir l'axe de chape en place avec un anneau d'arrêt.
  - Fixer la biellette courbée au support de la porte de la même manière, à l'aide d'un axe de chape de 5/16 po x 1-1/4 po.
- **Figure 2 :**
  - Rapprocher les biellettes et aligner les trous. Choisir les trous les plus éloignés étant donné qu'ils permettent aux biellettes d'être plus solides.
- **Figure 3, Méthode alternative :**
  - Si les trous de la biellette courbée sont trop hauts, démonter la biellette droite et couper 6 po du bout. Refixer la biellette droite sur le chariot en orientant la partie coupée vers le bas, comme illustré.
  - Rapprocher les biellettes.
  - Aligner deux paires de trous et raccorder les deux biellettes avec les boulons, les rondelles de blocage et les écrous.
- Tirer la poignée de déclenchement d'urgence vers le bas et l'arrière (vers l'ouvre-porte de garage) à un angle de 45° afin que la biellette de dégagement du chariot soit en position horizontale. Passer à la section « réglages » 1<sup>re</sup> opération, page 24. Le chariot se réenclenchera automatiquement lorsque l'ouvre-porte fonctionnera.

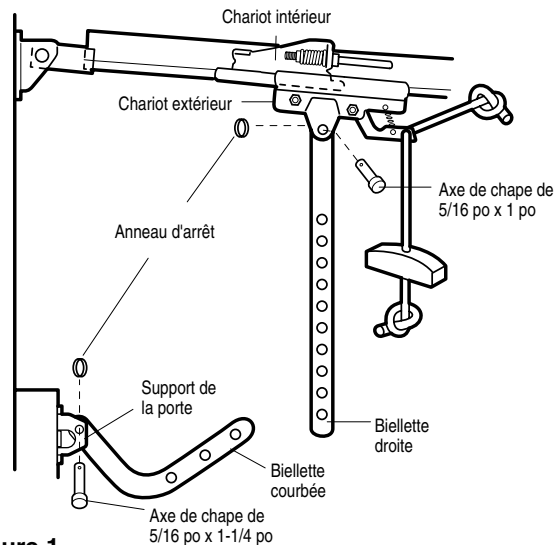


Figure 1

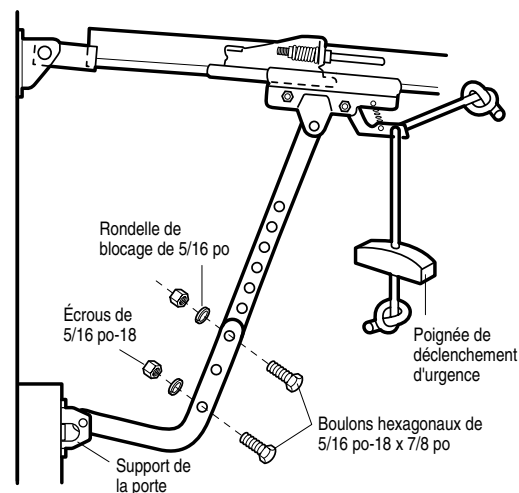


Figure 2

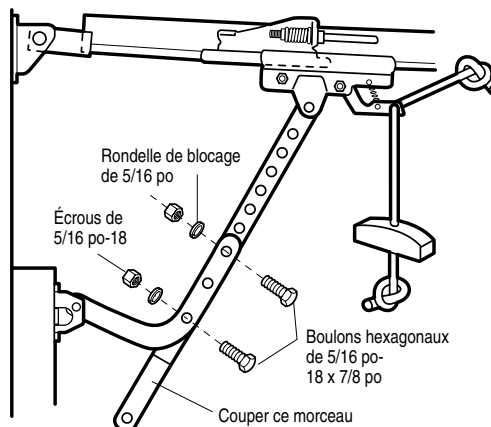
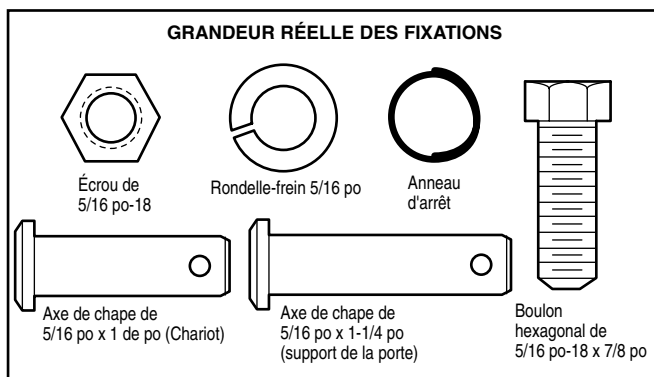
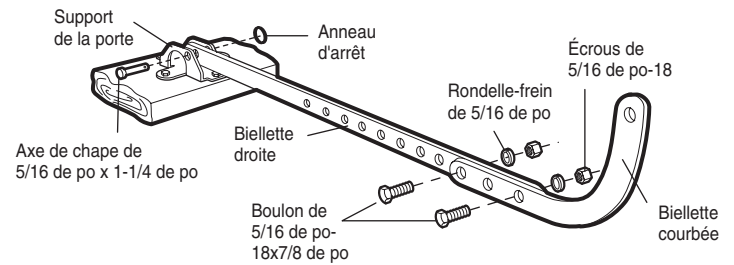


Figure 3

## POUR TOUTES LES PORTES RIGIDES

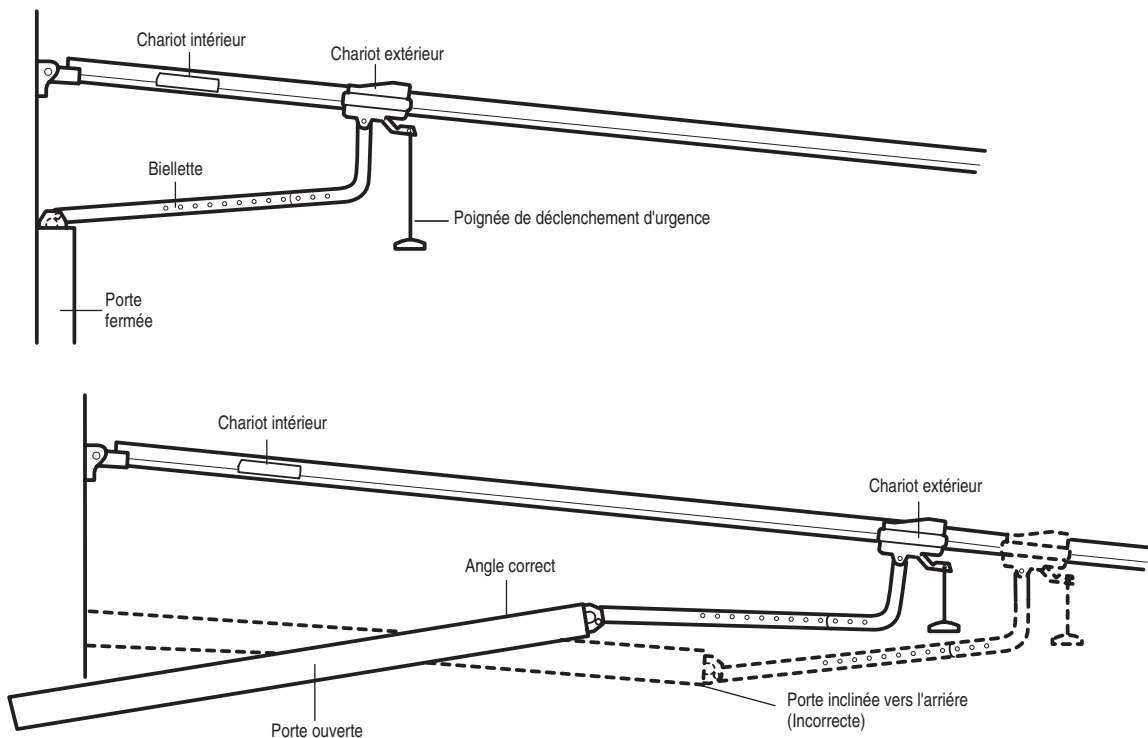
### 1. Assemblage des biellettes:

- Assembler les biellettes droite et courbée à leur plus grande longueur (2 ou 3 trous se chevauchant).
- La porte étant fermée, raccorder la bielle droite au support de la porte à l'aide d'un axe de chape de 5/16 po x 1-1/4 po.
- Faire tenir l'axe de chape avec un anneau d'arrêt.
- Tirer sur la poignée de déclenchement manuel pour déconnecter la partie extérieure du chariot de sa partie intérieure, en tirant vers le bas et en faisant glisser la partie extérieure du chariot vers le moteur de l'ouvre-porte.
- Connecter la bielle courbée au chariot à l'aide de l'axe de chape de 5/16 po x 1-1/4 po et de l'anneau d'arrêt.



### REMARQUE: Réglage de la fin de course de la page suivante:

- Le chariot se raccordera automatiquement. Sinon, revoir la section portant sur la fonction de verrouillage du chariot à la page 28.
- Lors du réglage de la course d'ouverture à la page suivante, la porte ne devrait pas être inclinée vers l'arrière tel qu'illustré ci-dessous lorsqu'elle est complètement ouverte. Une légère inclinaison arrière entravera le mouvement ou provoquera un mouvement saccadé de la porte lors de son ouverture ou de sa fermeture à partir de la position complètement ouverte.



## RÉGLAGES – 1ÈRE OPÉRATION

### Programmation des courses d'ouverture et de fermeture

Le réglage de ces courses fixe les points où la porte s'arrêtera lors de son ouverture ou de sa fermeture. Effectuer les étapes suivantes pour programmer les limites de courses..

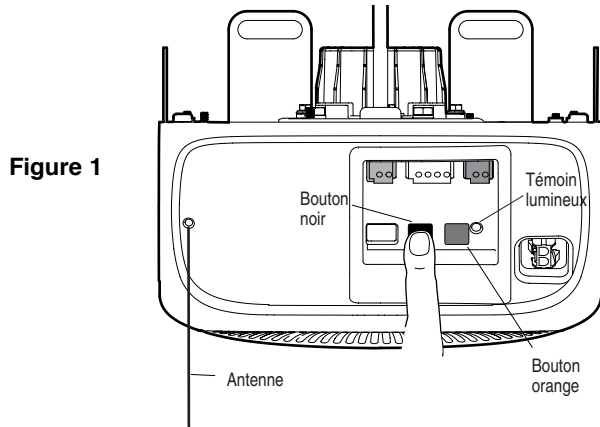


Figure 1

#### Pour programmer les limites de courses :

1. Tenir le bouton noir enfoncé jusqu'à ce que le témoin lumineux jaune commence à clignoter lentement, puis relâcher le bouton.
2. Tenir le bouton noir enfoncé jusqu'à ce que la porte atteigne la position d'ouverture souhaitée (Figure 2). Régler la position de la porte à l'aide des boutons noir et orange. Le bouton noir ÉLÈVE (porte ouverte) la porte et le bouton orange ABAISSE (porte ouverte) la porte.

S'assurer que la porte offre un dégagement suffisant pour votre véhicule. Régler si nécessaire.

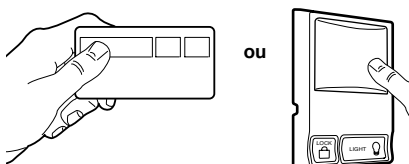
**REMARQUE :** Se reporter à la page précédente pour positionner correctement une porte rigide.

3. Appuyer sur la télécommande ou la commande de la porte (Figure 3). La limite du HAUT (porte ouverte) est alors enregistrée et la porte commence à descendre. Appuyer sur le bouton noir ou orange avant qu'elle n'atteigne le sol. La porte s'arrête.

Régler la limite du BAS souhaitée (porte fermée) à l'aide des boutons noir et orange (Figure 4). S'assurer que la porte est complètement fermée sans qu'une pression excessive ne s'exerce sur le rail (le rail ne doit pas s'incurver vers le haut et la courroie ne doit pas pendre sous le rail). Appuyer sur la télécommande ou la commande de la porte (Figure 3). La limite du BAS (porte fermée) est alors enregistrée et la porte commence à s'ouvrir.

**REMARQUE :** Si l'on n'appuie pas sur les boutons noir ou orange, la porte inverse son mouvement au sol et la limite du BAS est fixée automatiquement.

Figure 3



## ⚠ AVERTISSEMENT

Sans un système d'inversion de sécurité bien installé, des personnes (plus particulièrement les petits enfants) pourraient être GRIÈVEMENT BLESSÉES ou TUÉES par une porte de garage qui se referme.

- Un réglage erroné des courses de la porte de garage gênera un fonctionnement approprié du système d'inversion de sécurité.
- Après avoir réglé une commande (force ou course), il peut être nécessaire de régler l'autre commande.
- Après avoir effectué quelque réglage que ce soit, on DOIT faire l'essai du système d'inversion de sécurité. La porte de garage DOIT remonter au contact d'un objet d'une hauteur de 1-1/2 po (ou un 2 x 4 posé à plat) sur le sol.

## ATTENTION

Pour prévenir les dommages aux véhicules, s'assurer que la porte entièrement ouverte offre un dégagement suffisant.

Figure 2

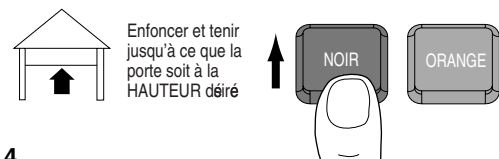
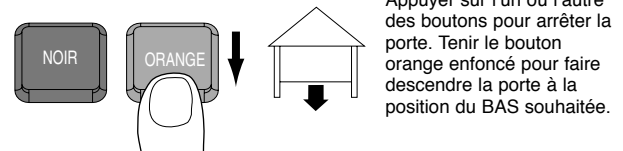


Figure 4



4. Ouvrir et fermer la porte deux ou trois fois à l'aide de la télécommande ou de la commande de la porte.
  - Si la porte ne s'arrête pas à la position du HAUT (porte ouverte) souhaitée ou inverse sa course avant de s'arrêter à la position du BAS (porte fermée), passer à l'étape Réglages - 2e opération, Réglage de la force.
  - Si la porte s'arrête aux positions souhaitées pour le HAUT (porte ouverte) et le BAS (porte fermée), passer à l'étape Réglages - 3e opération, Essai du système d'inversion de sécurité.

## RÉGLAGES – 2E OPÉRATION

### Réglage de la force

Le bouton de réglage de la force est situé sur le panneau arrière du moteur. Le niveau de la force mesure le montant de force requis pour ouvrir et fermer la porte.

1. Repérer le bouton orange situé sur le panneau arrière du moteur (Figure 1).
2. Appuyer deux fois sur le bouton orange pour placer l'unité en mode de Réglage de la force (Figure 2). Le voyant LED (témoin lumineux) se mettra à clignoter rapidement.
3. Enfoncer le bouton-poussoir de la télécommande livrée avec votre ouvre-porte (Figure 3). La porte s'abaissera jusqu'à la position de fermeture. Appuyer à nouveau sur la télécommande et la porte se lèvera jusqu'à la position d'ouverture. Enfoncer le bouton-poussoir de la télécommande une troisième fois pour refermer la porte.

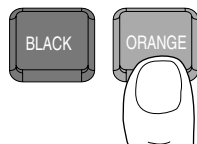
Le voyant LED (témoin lumineux) s'arrête de clignoter quand l'ouvre-porte a appris la force nécessaire.

La programmation du réglage de la force nécessaire à l'ouverture et à la fermeture de votre porte a été effectuée.

La porte doit effectuer un cycle complet d'ouverture et de fermeture pour que la force puisse être réglée correctement. Si l'ouvre-porte ne parvient pas à ouvrir ou fermer complètement votre porte, inspecter celle-ci pour s'assurer qu'elle est bien équilibrée et qu'elle ne force ou ne coince pas. Voir page 3, « Préparation de Votre Porte de Garage ».

Figure 2

Appuyer deux fois sur le bouton orange pour placer l'unité en mode de Réglage de la force



## AVERTISSEMENT

Sans un système d'inversion de sécurité bien installé, des personnes (plus particulièrement les petits enfants) pourraient être GRIÈVEMENT BLESSÉES ou TUÉES par une porte de garage qui se referme.

- Une trop grande force sur la porte de garage gênera un fonctionnement approprié du système d'inversion de sécurité.
- Ne JAMAIS augmenter la force au-delà du niveau nécessaire à la fermeture de la porte.
- Ne JAMAIS utiliser les réglages de force pour compenser une porte qui force ou qui adhère.
- Après avoir réglé une commande (force ou course), il peut être nécessaire de régler l'autre commande.
- Après avoir effectué quelque réglage que ce soit, on DOIT faire l'essai du système d'inversion de sécurité. La porte de garage DOIT remonter au contact d'un objet d'une hauteur de 1-1/2 po (ou un 2 x 4 posé à plat) sur le sol.

Figure 1

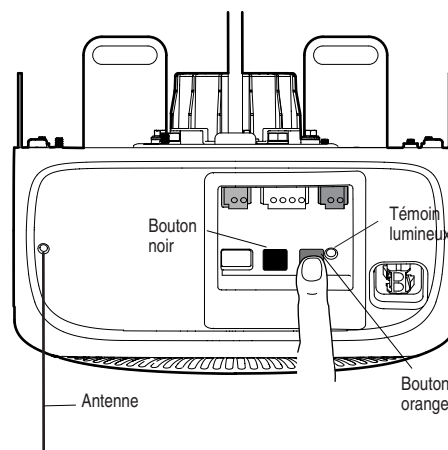
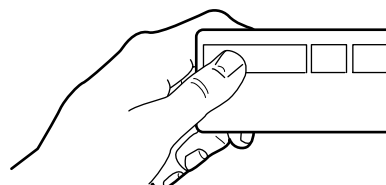


Figure 3



## RÉGLAGES - 3<sup>e</sup> OPÉRATION

### Essai du système d'inversion de sécurité

#### ESSAI

- La porte étant entièrement ouverte, placer une planche de 1-1/2 po d'épaisseur (ou un 2 x 4 à plat) sur le plancher, centrée sous la porte de garage.
- Fermer la porte. La porte **doit** remonter dès qu'elle touche l'obstacle. Si le système d'inversion de sécurité fonctionne correctement, passer à l'étape Réglages - 4<sup>e</sup> opération.

#### RÉGLAGE

- Si la porte s'arrête sur l'obstacle, sa course de fermeture n'est pas suffisante.

**REMARQUE :** Dans le cas d'une porte articulée, s'assurer que les réglages ne forcent pas sur la biellette, ni à l'ouverture ni à la fermeture. Se figure 3 de la page 22.

- Répéter l'essai.
- Lorsque la porte remonte sur la planche de 1 po, retirer l'obstacle et faire faire 3 ou 4 cycles complets à l'ouvre-porte afin de vérifier le réglage.
- Si l'essai du système d'inversion de sécurité échoue, appeler un technicien formé en systèmes de porte.

#### VÉRIFICATION DE SÉCURITÉ IMPORTANTE :

Faire l'essai du système d'inversion de sécurité après :

- Chaque fois que l'on modifie la longueur des biellettes, et chaque fois que l'on procède à un réglage de la force et de la course de la porte.
- Chaque fois que l'on répare ou que l'on règle la porte du garage (y compris les ressorts et les fixations).
- Chaque fois que l'on répare le plancher du garage ou après un soulèvement de celui-ci.
- Chaque fois que l'on procède à une réparation ou à un réglage de l'ouvre-porte.

## RÉGLAGES - 4<sup>e</sup> OPÉRATION

### Essayer le Système de Protection®

- Appuyer sur le bouton-poussoir de la télécommande pour ouvrir la porte.
- Mettre la boîte en carton de l'ouvre-porte dans la course de la porte.
- Appuyer sur le bouton-poussoir de la télécommande pour fermer la porte. La porte ne se déplacera pas de plus d'un pouce, et les lumières de l'ouvre-porte clignoteront.

La porte de garage ne se fermera pas à l'aide d'une télécommande si le témoin lumineux d'un des deux détecteurs est éteint (ce qui avertit que le détecteur est mal aligné ou est obstrué).

**Si l'ouvre-porte ferme la porte lorsque le détecteur inverseur de sécurité est obstrué (et que les détecteurs ne sont pas à plus de 6 po au-dessus du sol), appeler un technicien formé en systèmes de porte.**

## ⚠ AVERTISSEMENT

Sans un système d'inversion de sécurité bien installé, des personnes (plus particulièrement les petits enfants) pourraient être GRIÈVEMENT BLESSÉES ou TUÉES par une porte de garage qui se referme.

- On **DOIT** procéder à une vérification mensuelle du système d'inversion de sécurité.
- Après avoir réglé une commande (force ou course), il peut être nécessaire de régler l'autre commande.
- Après avoir effectué quelque réglage que ce soit, on **DOIT** faire l'essai du système d'inversion de sécurité. La porte de garage **DOIT** remonter au contact d'un objet d'une hauteur de 1-1/2 po (ou un 2 x 4 posé à plat) sur le sol.

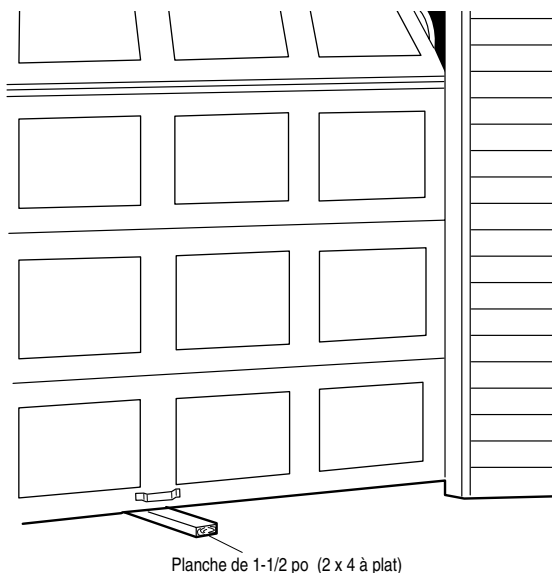
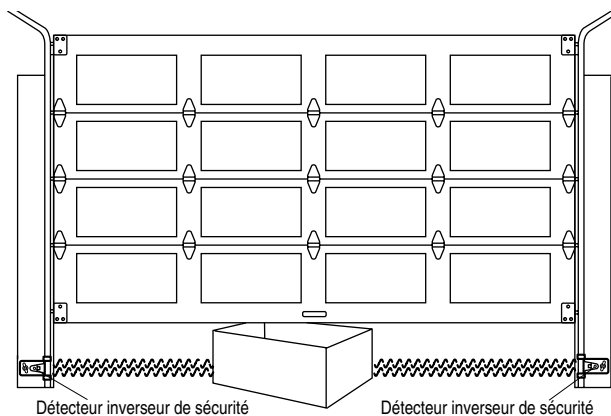


Planche de 1-1/2 po (2 x 4 à plat)

## ⚠ AVERTISSEMENT

Sans un système d'inversion de sécurité bien installé, des personnes (plus particulièrement les petits enfants) pourraient être GRIÈVEMENT BLESSÉES ou TUÉES par une porte de garage qui se referme.



Détecteur inverseur de sécurité

Détecteur inverseur de sécurité

# IMPORTANTES CONSIGNES DE SÉCURITÉ

## ⚠ AVERTISSEMENT

### Pour réduire le risque de blessures graves ou de mort :

1. LIRE ET SUIVRE TOUS LES AVERTISSEMENTS ET INSTRUCTIONS.
2. TOUJOURS garder les télécommandes hors de la portée des enfants. Ne JAMAIS laisser les enfants faire fonctionner les télécommandes ou les boutons-poussoirs de la commande de porte ou jouer avec ceux-ci.
3. Actionner la porte de garage UNIQUEMENT lorsqu'on peut la voir clairement, qu'elle est bien réglée et qu'il n'y a aucun obstacle à la course de la porte.
4. TOUJOURS garder la porte de garage en vue jusqu'à sa fermeture complète. PERSONNE NE DOIT TRAVERSER LE PARCOURS DE LA PORTE EN MOUVEMENT.
5. PERSONNE NE DOIT PASSER SOUS UNE PORTE ARRÊTÉE EN COURS D'OUVERTURE.
6. Si possible, utiliser la poignée de déclenchement d'urgence pour dégager le chariot UNIQUEMENT lorsque la porte de garage est FERMÉE. Des ressorts faibles ou brisés ou une porte déséquilibrée peuvent causer la chute rapide et/ou imprévue d'une porte ouverte.
7. Ne JAMAIS utiliser la poignée de déclenchement d'urgence à moins que l'entrée de garage ne soit dégagée (absence de personnes et d'obstacles).
8. Ne JAMAIS utiliser la poignée pour ouvrir ou fermer la porte. Il y a risque de chute si le nœud de la corde se défait.
9. Après avoir réglé une commande (force ou course), il peut être nécessaire de régler l'autre commande.
10. Après avoir effectué quelque réglage que ce soit, on DOIT faire l'essai du système d'inversion de sécurité.
11. On DOIT procéder à une vérification mensuelle du système d'inversion de sécurité. La porte de garage DOIT remonter au contact d'un objet d'une hauteur de 1-1/2 po (ou un 2 x 4 posé à plat) sur le sol.
12. TOUJOURS GARDER LA PORTE DE GARAGE BIEN ÉQUILIBRÉE (se reporter à la page 3). Une porte mal équilibrée peut ne pas remonter au besoin et pourrait provoquer des BLESSURES GRAVES ou LA MORT.
13. Toutes les réparations aux câbles, ensembles de ressort et autres ferrures de montage, qui sont tous sous une tension EXTRÊME, DOIVENT être confiées à un technicien formé en systèmes de porte.
14. TOUJOURS mettre l'ouvre-porte de garage hors tension AVANT d'effectuer quelque réparation que ce soit ou d'enlever des couvercles.
15. **CONSERVER CES INSTRUCTIONS.**

### Utilisation de votre ouvre-porte de garage

Votre télécommande à main et ouvre-porte Security+® ont été réglés en usine à un code compatible qui change avec chaque usage, accédant de manière aléatoire à plus de 100 milliards de nouveaux codes. Votre ouvre-porte fonctionnera avec un nombre allant jusqu'à huit télécommandes Security+® et un Système d'entrée sans clé. Si vous achetez une nouvelle télécommande ou que vous désirez désactiver toute télécommande, suivez les instructions de la section *Programmation*.

#### Actionner l'ouvre-porte suivant l'une des méthodes ci-après :

- *La télécommande à main* : Appuyer sur le bouton-poussoir jusqu'à ce que la porte commence à se déplacer.
- *La commande de porte murale* : Tenir la barre ou le bouton-poussoir enfoncé jusqu'à ce que la porte commence à se déplacer.
- *Le système d'entrée sans clé (Se reporter à la section Accessoires)* : s'il est fourni avec votre ouvre-porte de garage, il doit être programmé avant usage. Se reporter à la section *Programmation*.

#### Lorsque l'on actionne l'ouvre-porte de garage et que les détecteurs inverseurs de sécurité sont correctement installés et alignés

1. Si la porte est ouverte, elle se fermera. Si elle est fermée, elle s'ouvrira.
2. Si la porte est en course de fermeture, elle remontera.
3. Si la porte est en course d'ouverture, elle s'arrêtera.
4. Si on l'a arrêtée en position partiellement ouverte, elle se fermera.

5. Si la fermeture de la porte est gênée, la porte remontera. Si l'obstacle interrompt le faisceau du détecteur, les lumières de l'ouvre-porte clignoteront pendant 5 secondes.
6. Si l'ouverture de la porte est gênée, la porte s'arrêtera.
7. Si la porte est complètement ouverte, elle ne se fermera pas tant que le faisceau lumineux sera interrompu. Le détecteur n'a aucun effet lors du cycle d'ouverture.

Si le détecteur n'est pas installé ou est mal aligné, la porte ne se fermera pas à partir d'une télécommande à main. Cependant, vous pouvez fermer la porte avec la commande de porte, *la clé de verrouillage extérieur, ou l'entrée sans clé, si vous les activez jusqu'à ce que la fermeture soit complète*. Si vous les relâchez trop tôt, la porte s'inversera.

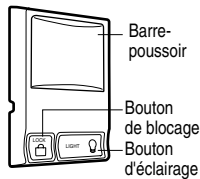
**L'éclairage de l'ouvre-porte de garage** s'allumera dans les cas suivants : lorsque l'on branche l'ouvre-porte de garage pour la première fois sur le courant; lorsque le courant est interrompu; lorsque l'ouvre-porte est actionné. Cet éclairage s'éteint automatiquement après 4-1/2 minutes ou il assure un éclairage constant lorsqu'on actionne la fonction d'éclairage sur la commande de porte à fonctions multiples. Des ampoules de 100 watts maximum doivent être utilisées.

**Éclairage Security+®** : Les lumières s'allumeront également lorsqu'une personne franchira la porte de garage ouverte. Sur une commande de porte Multifonction, cette fonction d'éclairage peut être désactivée de la façon suivante : les lumières fermées, enfoncer et tenir le bouton d'éclairage pendant 10 secondes jusqu'à ce que les lumières s'éteignent, puis s'allument de nouveau. Pour rétablir cette fonction, commencer avec le dispositif d'éclairage de l'ouvre-porte allumé, puis enfoncer et tenir le bouton d'éclairage pendant 10 secondes, jusqu'à ce que les lumières s'éteignent, puis s'allument à nouveau.

## Utilisation de la commande de porte à montage mural

### PANNEAU COMMANDE DE PORTE

Appuyer sur la barre pour ouvrir ou fermer la porte. Appuyer à nouveau pour faire remonter la porte lors du cycle de fermeture ou pour arrêter la porte pendant le cycle d'ouverture.



### Fonction d'éclairage

Appuyez sur le bouton d'éclairage pour allumer ou éteindre l'éclairage de l'ouvre-porte. Il ne contrôle pas l'éclairage de l'ouvre-porte pendant que la porte est en mouvement. Si vous allumez, puis activez l'ouvre-porte, l'éclairage demeurera allumé pendant 4 1/2 minutes. Appuyez à nouveau sur ce bouton pour l'éteindre plus tôt.

### Élément de verrouillage

L'élément de verrouillage est conçu de manière à empêcher le fonctionnement de la porte à l'aide de télécommandes à main. Cependant, la porte s'ouvrira et se fermera à partir de la commande de porte, de la serrure extérieure ou du système d'ouverture sans clé en accessoire.

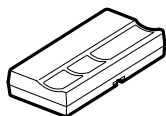
Pour actionner, appuyer sur le bouton de verrouillage et le tenir pendant 2 secondes. L'éclairage de la barre-poussoir clignotera aussi longtemps que l'élément de verrouillage sera en marche.

Pour arrêter, appuyer à nouveau sur le bouton de verrouillage et le tenir pendant 2 secondes. L'éclairage de la barre-poussoir cessera de clignoter. L'élément de verrouillage sera également neutralisé chaque fois que le bouton LEARN se trouvant sur le panneau de l'ouvre-porte sera actionné.

### Caractéristique supplémentaire lorsqu'utilisé avec la télécommande à main 3 - Bouton

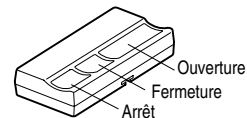
#### A) Commande de l'éclairage de l'ouvre-porte :

Vous pouvez programmer la télécommande de manière à commander, non seulement la porte, mais aussi l'éclairage.



1. La porte étant fermée, enfoncer et tenir un petit bouton de la télécommande auquel on attribuera le contrôle de l'éclairage.
2. Continuer à tenir tout en enfonçant le bouton d'éclairage sur le panneau de commande de la porte.
3. Continuer à tenir les deux boutons tout en enfonçant le bouton de blocage de la commande de la porte.
4. Lorsque l'éclairage de l'ouvre-porte clignote, relâcher tous les boutons.

B) Pour actionner une porte en utilisant les trois boutons de la télécommande à main :



On peut programmer la télécommande de manière à ouvrir la porte avec le gros bouton, à la refermer avec le bouton central et à arrêter le mouvement de la porte à l'aide du troisième bouton.

**REMARQUE :** Si la télécommande est déjà programmée, on doit d'abord effacer tous les codes. Voir Programmation.

1. La porte étant fermée, enfoncer et tenir le gros bouton-poussoir de la télécommande.
2. Continuer à tenir tout en enfonçant le bouton de blocage sur la commande de porte.
3. Continuer à tenir les deux boutons tout en enfonçant la barre-poussoir de la commande de porte.
4. Lorsque l'éclairage de l'ouvre-porte clignote, relâcher tous les boutons.

## Ouverture manuelle de la porte

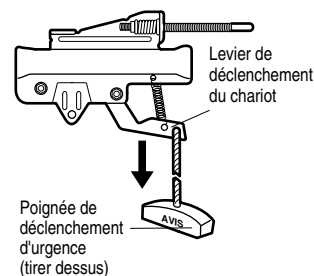
### ⚠ AVERTISSEMENT

Pour prévenir d'éventuelles BLESSURES GRAVES ou LA MORT par suite de la chute d'une porte de garage :

- Si possible, utiliser la poignée de déclenchement d'urgence pour dégager le chariot UNIQUEMENT lorsque la porte de garage est FERMÉE. Des ressorts faibles ou brisés ou une porte déséquilibrée peuvent causer la chute rapide ou imprévue d'une porte ouverte.
- Ne JAMAIS utiliser la poignée de déclenchement d'urgence à moins que l'entrée de garage ne soit dégagée (absence de personnes et d'obstacles).

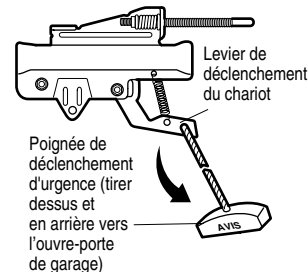
Ne JAMAIS utiliser la poignée pour ouvrir ou fermer la porte. Il y a risque de chute si le nœud de la corde se défait.

Dans la mesure du possible, la porte doit être complètement fermée. Tirer la poignée de déclenchement d'urgence et lever la porte manuellement. Pour rattacher la porte à l'ouvre-porte, appuyer sur la barre-poussoir de la commande de porte.



#### POSITION DE DÉCLENCHEMENT MANUEL

La fonction de verrouillage empêche le chariot de se réenclencher automatiquement. Tirer la poignée de déclenchement d'urgence vers le bas et l'arrière (vers l'ouvre-porte de garage). Il sera alors possible d'ouvrir et de fermer la porte à la main autant de fois qu'on le désirera. Pour inhiber le verrouillage, tirer la poignée droit vers le bas. Le chariot se réenclenche lors de la prochaine ouverture ou fermeture de la porte.



#### POSITION DE VERROUILLAGE



## ENTRETIEN DE L'OUVRE-PORTE DE GARAGE

### PÉRIODICITÉS D'ENTRETIEN

#### *Une fois par mois*

- Faire fonctionner la porte à la main. Si elle est déséquilibrée ou si elle force, appeler un technicien formé en systèmes de porte.
- S'assurer que la porte s'ouvre et se ferme complètement. Au besoin, régler les commandes de course et/ou de force. (Se reporter aux pages 24 et 25)
- Répéter le contrôle du dispositif d'inversion de sécurité. Procéder à tous les réglages nécessaires. (voir réglages - 3<sup>e</sup> opération)

#### *Une fois par année*

- Huiler les rouleaux, les roulements et les charnières de la porte. Il n'est pas nécessaire de lubrifier l'ouvre-porte de garage. Ne pas graisser les guides de la porte.

## LA PILE DE LA TÉLÉCOMMANDE

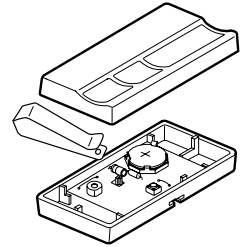
### **AVERTISSEMENT**

Pour prévenir d'éventuelles BLESSURES GRAVES ou LA MORT :

- Ne JAMAIS laisser de petits enfants à proximité des piles.
- Aviser immédiatement un médecin en cas d'ingestion d'une pile.

La pile au lithium devrait durer pendant une période allant jusqu'à 5 ans. Pour changer la pile, ouvrir le boîtier comme illustré en le soulevant à l'aide de la pince du pare-soleil ou de la lame d'un tournevis. Insérer la pile avec le côté positif vers le haut (+).

Se débarrasser de la pile usagée convenablement.



AVIS : Les règles de la FCC ou d'Industrie Canada (IC), ou les deux, interdisent tout ajustement ou toute modification de ce récepteur et/ou de cet émetteur, sauf pour modifier le code ou pour remplacer la pile. IL N'EXISTE AUCUNE AUTRE PIÈCE SUSCEPTIBLE D'ÊTRE ENTRETENUE PAR L'UTILISATEUR.

Vérfifié pour conformité avec les normes de la FCC POUR UTILISATION À LA MAISON OU AU BUREAU. L'utilisation est sujette aux deux conditions ci-après : (1) ce dispositif ne peut causer des interférences nuisibles, et (2) ce dispositif doit accepter toute interférence reçue, y compris une interférence pouvant causer un fonctionnement non désiré.

## DÉFAUTS DE FONCTIONNEMENT

### **1. L'ouvre-porte ne fonctionne pas à l'aide de la commande de porte ni de la télécommande :**

- Le courant électrique parvient-il à l'ouvre-porte? Brancher une lampe dans la prise de courant. Si elle ne s'allume pas, vérifier les fusibles ou le disjoncteur. (Certaines prises de courant sont commandées par un interrupteur.)
- Les serrures de la porte sont-elles toutes ouvertes? Se reporter aux avertissements des instructions de pose à la page 7.
- De la neige ou de la glace s'est-elle accumulée sous la porte? La porte peut être collée au sol par le gel. Enlever tous les obstacles.
- Le ressort de la porte de garage pourrait être cassé. Le faire remplacer.
- Un fonctionnement répété peut avoir déclenché la protection thermique du moteur. Attendre 15 minutes avant de refaire fonctionner l'ouvre-porte de garage.

### **2. L'ouvre-porte fonctionne avec la télécommande mais pas avec la commande de porte :**

- La commande de porte est-elle allumée? Sinon, retirer le fil de sonnerie des bornes du moteur. Connecter les terminaux rouge et blanc en touchant les deux terminaux en même temps avec un morceau de fil. Si l'ouvre-porte marche, vérifier qu'il n'y ait pas de mauvais branchement à la commande de porte, de court-circuit sous les agrafes, ou une cassure dans les fils.
- Les branchements électriques sont-ils bons? Se reporter à la page 14, 6<sup>e</sup> opération de pose.

### **3. La porte de garage fonctionne avec la commande de porte, mais pas avec la télécommande :**

- La barre-poussoir de porte clignote-t-elle? Si votre modèle est pourvu de la fonction de verrouillage, s'assurer qu'elle est inhibée.
- Programmer l'ouvre-porte en fonction du code de la télécommande. (Se reporter aux instructions sur le panneau du moteur.) Répéter pour toutes les télécommandes.

### **4. Portée insuffisante de la télécommande :**

- Changer l'emplacement de la télécommande dans votre voiture.
- S'assurer que l'antenne sur le panneau latéral ou arrière du moteur est déployée entièrement vers le bas.
- Certaines installations pourraient avoir un rayon de fonctionnement plus court à cause d'une porte métallique, d'isolation à revers d'aluminium, ou d'un garage avec revêtement métallique.

### **5. L'ouvre-porte se fait fortement entendre dans la résidence quand il fonctionne :**

- Un nécessaire d'insonorisation 89LMC peut être posé. Cet équipement est conçu pour minimiser les vibrations à la maison et est facile à installer.

## **Défauts de fonctionnement (suite)**

### **6. La porte s'ouvre et se ferme toute seule :**

- S'assurer que tous les boutons-poussoirs de la télécommande sont à la position d'arrêt.
- Débrancher le fil de sonnerie des bornes de la commande de porte et faire fonctionner la télécommande seulement. Si ceci résout le problème, la commande de porte est défectueuse (il faudra alors la remplacer) ou il y a un court-circuit intermittent sur le fil entre la commande de porte et le moteur.
- Effacer la mémoire et reprogrammer toutes les télécommandes.

### **7. La porte ne s'ouvre pas complètement :**

- La porte est-elle gênée dans sa course? Est-elle déséquilibrée ou les ressorts sont-ils brisés. Enlever l'obstruction ou réparer la porte.

### **8. La porte s'ouvre, mais ne se ferme pas :**

- Si l'éclairage de l'ouvre-porte clignote, vérifier le détecteur inverseur de sécurité. Se reporter à la 10<sup>e</sup> opération d'installation.
- Si l'éclairage de l'ouvre-porte ne clignote pas et l'installation est nouvelle, vérifier la force de fermeture. Voir l'Étape de Réglage 2. Pour une installation en place, voir ci-dessous.

*Après avoir procédé au réglage, répéter le contrôle de l'inversion de sécurité.*

### **9. La porte remonte sans raison apparente et les témoins de l'ouvre-porte ne clignent pas :**

- La porte est-elle gênée dans sa course? Tirer sur la poignée de déclenchement d'urgence. Faire fonctionner la porte à la main. Si elle est déséquilibrée ou si elle grippe, appeler un technicien formé en systèmes de porte.
- Dégager toute accumulation de glace ou de neige pouvant se trouver sur le seuil de contact avec la porte.
- Se reporter à l'étape de réglage 2.

*Après avoir procédé au réglage, répéter le contrôle de l'inversion de sécurité.*

### **10. Le mouvement de la porte s'inverse sans raison apparente et les témoins de l'ouvre-porte clignent pendant 5 secondes après l'inversion :**

- Vérifier les détecteurs inverseurs de sécurité. Enlever toute obstruction ou aligner la cellule réceptrice. Se reporter à la 10<sup>e</sup> opération d'installation.

### **11. L'éclairage de l'ouvre-porte ne s'allume pas :**

- Changer les ampoules (maximum 100 watts). Utiliser une ampoule d'ouvre-porte de garage à douille standard si l'ampoule normale brûle.

### **12. L'éclairage de l'ouvre-porte ne s'éteint pas:**

- La caractéristique d'éclairage est-elle allumée? L'éteindre.

### **13. L'ouvre-porte requiert une force excessive pour déplacer la porte :**

- La porte est peut-être déséquilibrée ou bien les ressorts sont cassés. **Fermer la porte** et utiliser la poignée de déclenchement d'urgence pour détacher le chariot. Ouvrir et fermer la porte à la main. Une porte bien équilibrée restera à sa position d'arrêt, entièrement supportée par les ressorts, détacher l'ouvre-porte et appeler un technicien formé en systèmes de porte.

### **14. Le moteur de l'ouvre-porte gémit pendant un moment et ne fonctionne pas :**

- Les ressorts de la porte de garage sont cassés. Se reporter au paragraphe précédent.
- Si cet incident se produit lors du premier fonctionnement de l'ouvre-porte, la porte est peut-être verrouillée. Neutraliser les serrures de la porte.

### **15. L'ouvre-porte ne fonctionne pas à cause d'une panne de courant :**

- Dégager le chariot à l'aide de la poignée et de la corde de déclenchement d'urgence. Il sera alors possible d'ouvrir et de fermer la porte à la main. Lorsque le courant sera rétabli, appuyer sur le gros bouton-poussoir de la commande de porte et le chariot se réenclenchera automatiquement (à moins que le chariot soit en position verrouillée). Se reporter à la page 28.
- Dans le cas d'un garage ne possédant pas de porte de service, l'accessoire à serrure extérieure de déclenchement permettra de désenclencher le chariot de l'extérieur en cas de panne de courant.

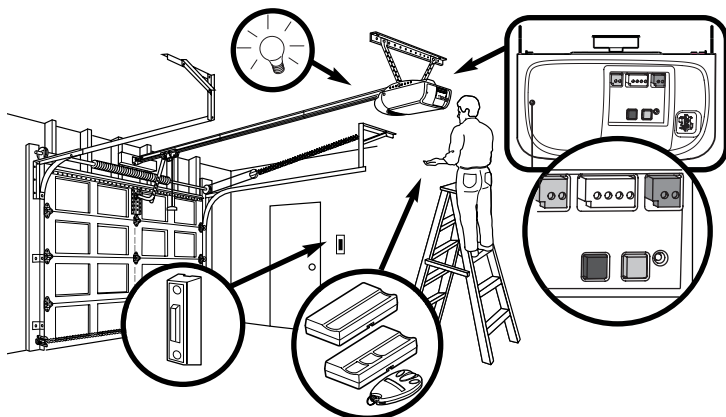
# PROGRAMMATION

L'ouvre-porte de garage a été programmé en usine de manière à fonctionner avec la télécommande à main fournie. La porte s'ouvrira et se fermera lorsqu'on appuie sur le gros bouton-poussoir.

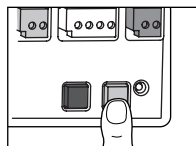
Ci-après se trouvent des instructions pour programmer votre ouvre-porte en vue du fonctionnement avec d'autres télécommandes Security+®.

## Pour Ajouter ou Reprogrammer une Télécommande à Main

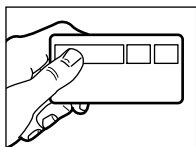
### UTILISATION DU BOUTON LEARN



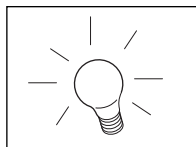
1. Enfoncer et relâcher le bouton orange LEARN sur le moteur. Le témoin lumineux LEARN s'allumera en continu pendant 30 secondes.



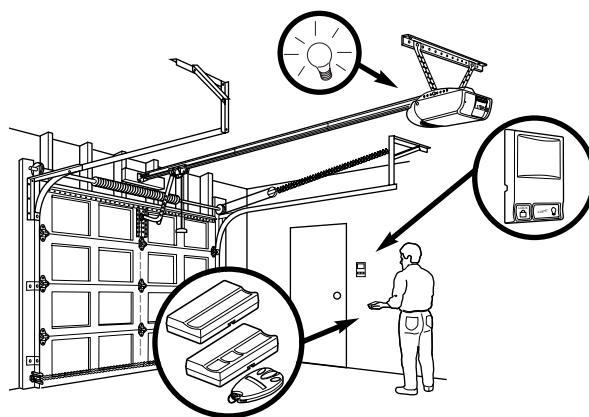
2. Dans un délai de 30 secondes, enfoncer et tenir le bouton de la télécommande\* qui fera fonctionner votre porte de garage.



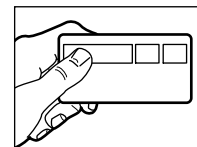
3. Relâcher le bouton lorsque l'éclairage du moteur clignote. Il a appris le code. Si les ampoules ne sont pas posées, deux clics se feront entendre.



### UTILISATION DE LA COMMANDE DE PORTE MULTIFONCTION



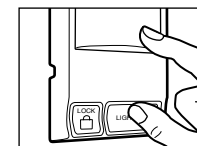
1. Enfoncer et tenir le bouton de la télécommande\* qui fera fonctionner votre porte de garage.



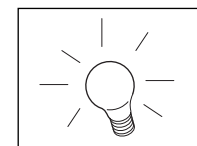
2. Tout en tenant le bouton de la télécommande, enfoncer et tenir le bouton LIGHT sur la commande de porte multifonction.



3. Continuer à tenir les deux boutons tout en appuyant sur la barre-poussoir de la commande de porte multifonction (les trois boutons sont tenus).



4. Relâcher les boutons lorsque l'éclairage du moteur clignote. Il a appris le code. Si les ampoules ne sont pas posées, deux clics se feront entendre.

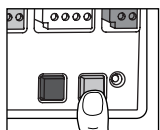


### Pour effacer tous les codes de la mémoire du moteur

Pour désactiver toute télécommande non désirée, effacer d'abord tous les codes :

Enfoncer et tenir le bouton LEARN du moteur jusqu'à ce que le témoin lumineux LEARN s'éteigne (environ 6 secondes).

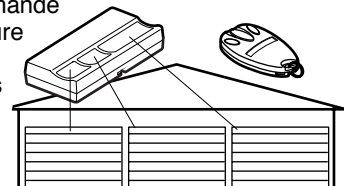
Tous les codes précédents sont maintenant effacés. Reprogrammer chaque télécommande ou entrée sans clé qu'on désire utiliser.



### \* Télécommandes 3-Bouton

Programmé en usine, le gros bouton dont pourrait être munie votre télécommande sert au fonctionnement de l'ouvre-porte de garage. Les boutons supplémentaires sur n'importe quelle télécommande

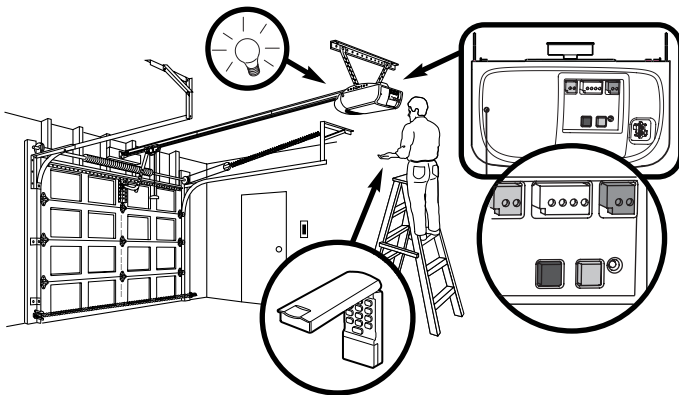
ou télécommande miniature 3-bouton Security+® peuvent être programmés pour faire fonctionner d'autres ouvre-portes de garage Security+®.



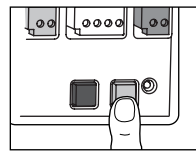
## Pour Ajouter, Reprogrammer ou Modifier un NIP d'Entrée Sans Clé

**REMARQUE:** Votre nouvelle entrée sans clé doit être programmée de manière à faire fonctionner votre ouvre-porte de garage.

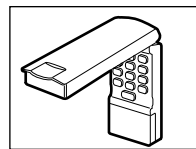
### UTILISATION DU BOUTON « LEARN »



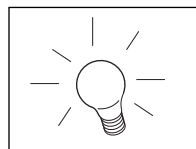
1. Enfoncer et tenir le bouton orange LEARN sur le moteur. Le témoin lumineux LEARN s'allumera en continu pendant 30 secondes.



2. Dans un délai de 30 secondes, introduire un numéro d'identification personnelle (NIP) à quatre chiffres de son choix sur le pavé numérique. Enfoncer et tenir ensuite le bouton ENTER.



3. Relâcher le bouton lorsque l'éclairage du moteur clignote. Il a appris le code. Si les ampoules ne sont pas posées, deux clics se feront entendre.



### Pour modifier un NIP connu, existant

Si le NIP existant est connu, il peut être modifié par une seule personne sans devoir utiliser d'échelle.

1. Appuyer sur les quatre boutons correspondant au NIP actuel, puis enfoncer et tenir le bouton #.

L'éclairage de l'ouvre-porte clignotera deux fois.  
Relâcher le bouton #.

2. Introduire le nouveau NIP à 4 chiffres choisi, puis appuyer sur ENTER.

L'éclairage du moteur clignotera une fois lorsque le NIP aura été appris.

Faire un essai en introduisant sur le nouveau NIP, puis appuyer sur ENTER. La porte devrait bouger.

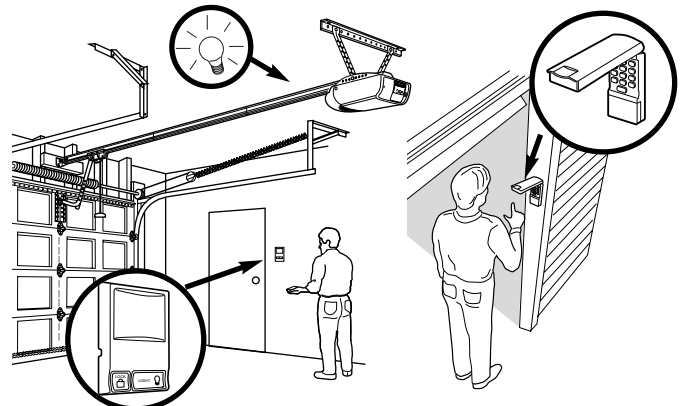
### Pour définir un NIP temporaire

Vous pouvez autoriser l'accès aux visiteurs ou aux techniciens de service à l'aide d'un NIP temporaire à 4 chiffres. Après un nombre programmé d'heures ou un nombre programmé d'utilisations, ce NIP temporaire vient à expiration et n'ouvre plus la porte. On peut l'utiliser pour fermer la porte une fois qu'il a expiré. Pour définir un NIP temporaire :

1. Appuyer sur les quatre boutons correspondant à son NIP d'entrée personnelle (non le dernier NIP temporaire), puis enfoncer et tenir le bouton \*.

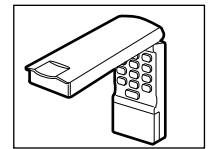
L'éclairage de l'ouvre-porte clignotera trois fois.  
Relâcher le bouton.

### UTILISATION DE LA COMMANDE DE PORTE MULTIFONCTION

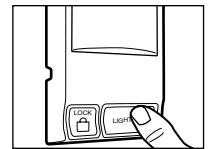


**REMARQUE :** Cette méthode nécessite deux personnes si le pavé pour l'entrée sans clé est déjà monté à l'extérieur du garage.

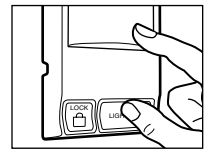
1. Introduire un numéro d'identification personnelle (NIP) à quatre chiffres de son choix sur le pavé numérique. Enfoncer et tenir ensuite le bouton ENTER.



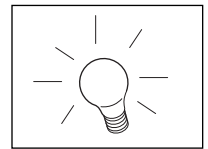
2. Tout en tenant le bouton ENTER, enfoncer et tenir le bouton LIGHT sur la commande de porte multifonction.



3. Continuer à tenir les boutons ENTER et LIGHT tout en appuyant sur la barre-poussoir de la commande de porte multifonction (les trois boutons sont tenus).



4. Relâcher les boutons lorsque l'éclairage du moteur clignote. Il a appris le code. Si les ampoules ne sont pas posées, deux clics se feront entendre.



2. Introduire le NIP temporaire à 4 chiffres choisi, puis appuyer sur ENTER.

L'éclairage de l'ouvre-porte clignotera quatre fois.

3. Pour définir le nombre d'heures de validité de ce NIP temporaire, appuyer sur le nombre d'heures (jusqu'à 255), puis appuyer sur \*.

**OU**

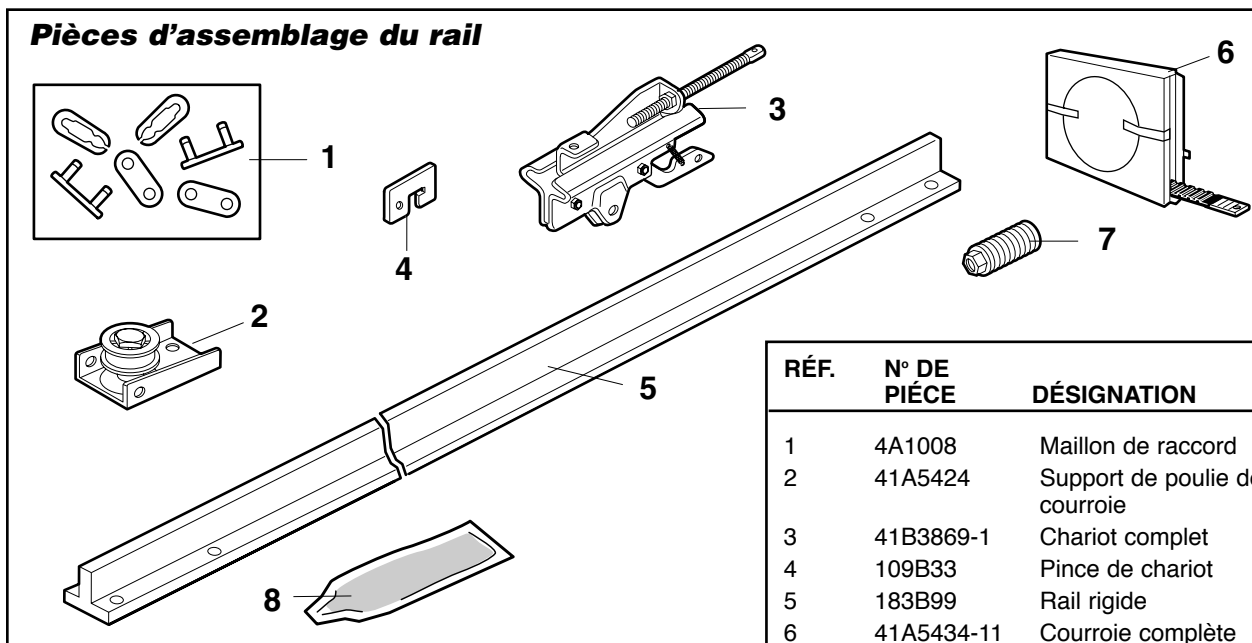
3. Pour définir le nombre de fois de validité de ce NIP temporaire, appuyer sur le nombre de fois (jusqu'à 255), puis appuyer sur #.

L'éclairage de l'ouvre-porte clignotera une fois lorsque ce NIP temporaire aura été appris.

Faire un essai en entrant les quatre chiffres correspondant à ce NIP temporaire, puis appuyer sur ENTER. La porte devrait bouger. Si le NIP temporaire a été défini pour un certain nombre d'ouvertures, ne pas oublier que le test a utilisé une ouverture. Pour effacer le mot de passe temporaire, répéter les étapes 1 à 3, en définissant le nombre d'heures ou de fois à 0 lors de l'étape 3.

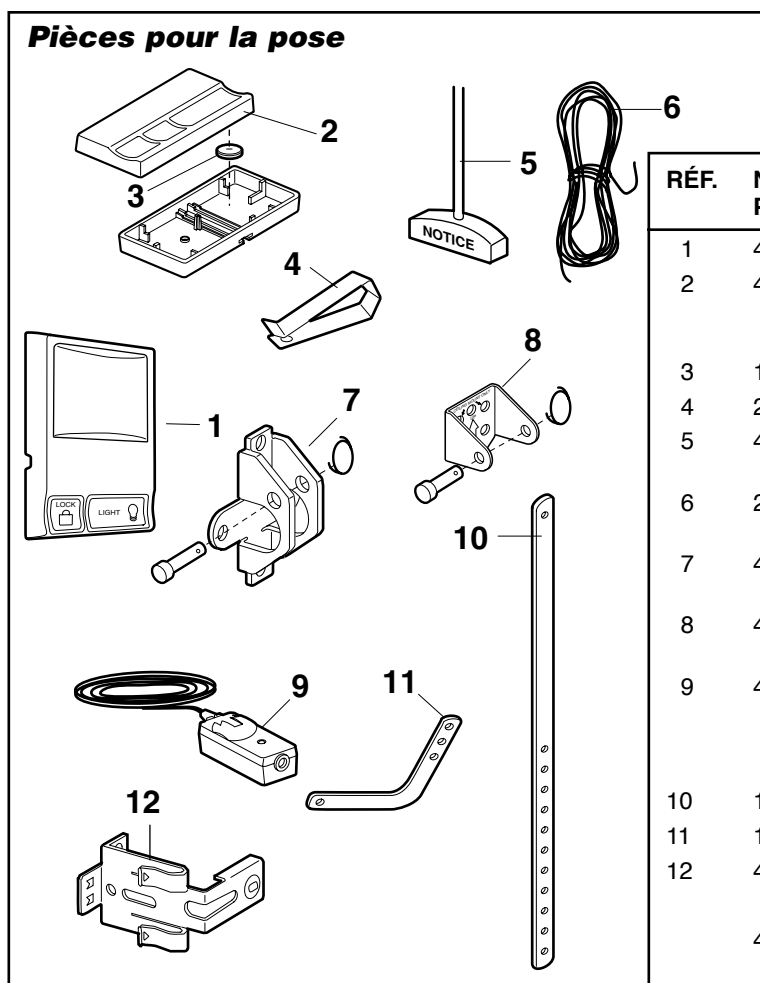
## PIÈCES DE RECHANGE

### Pièces d'assemblage du rail



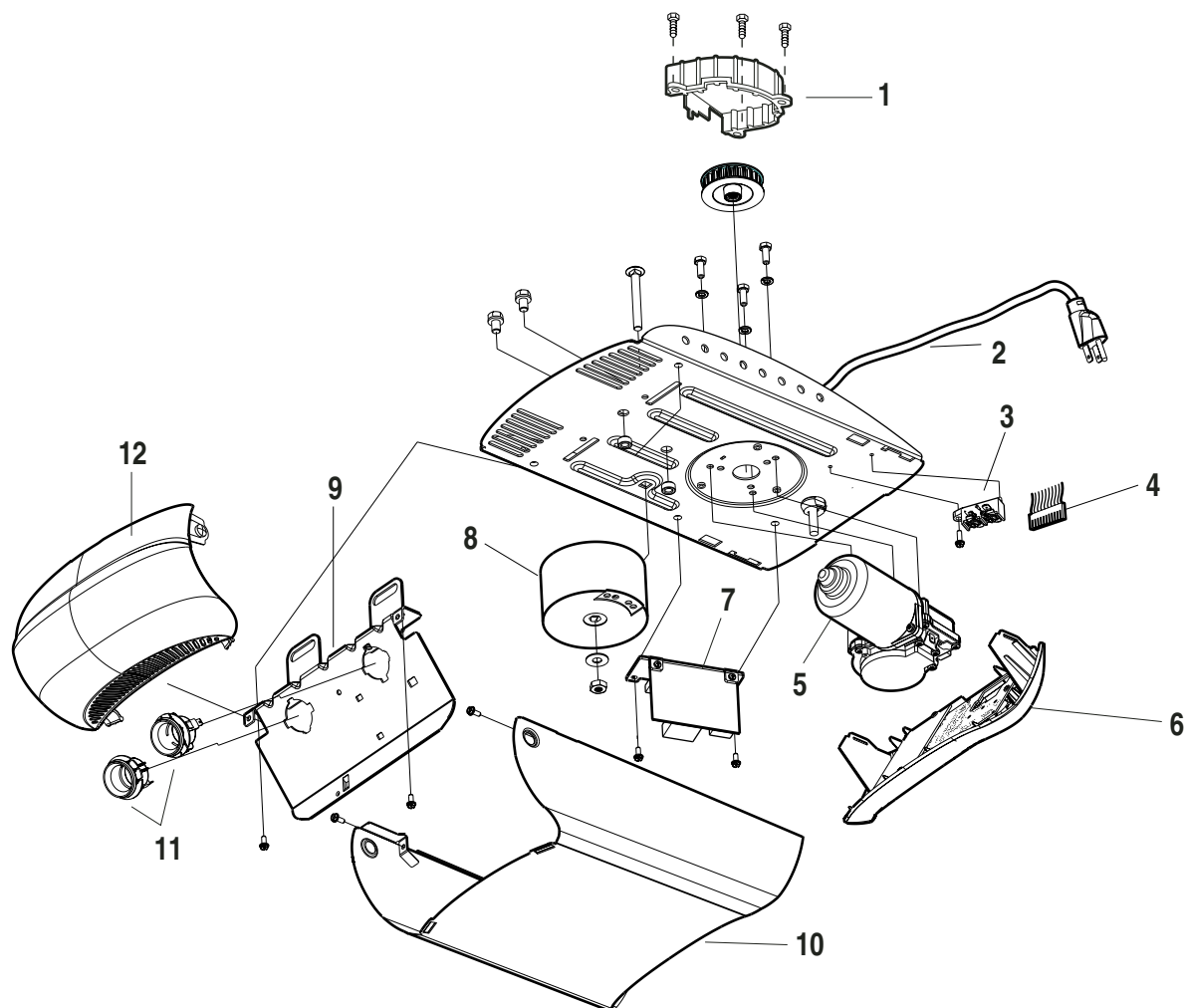
RÉF.	N° DE PIÈCE	DÉSIGNATION
1	4A1008	Maillon de raccord
2	41A5424	Support de poulie de courroie
3	41B3869-1	Chariot complet
4	109B33	Pince de chariot
5	183B99	Rail rigide
6	41A5434-11	Courroie complète
7	41B4103	Ensamble de tension
8	83A11-2	Graisse à rail

### Pièces pour la pose



RÉF.	N° DE PIÈCE	DÉSIGNATION
1	41C494	Commande de porte Multifonction
2	41A5056-3	Télécommande à 3 - Bouton, résidence seulement (aucune carte à circuit)
3	10A20	Pile au lithium 3V2032
4	29B137	Agrafe de pare-soleil de la l'émetteur
5	41A2828	Poignée et corde de dégagement manuel
6	217A238	Fil de sonnerie à deux conducteurs blanc et blanc/rouge
7	41A5047-1	Support de porte avec axe de chape et fixation
8	41A4353-1	Support de linteau avec axe de chape et fixation
9	41A5034	Nécessaire de détecteur de sécurité (cellules de réception et de transmission) avec fil de sonnerie à 2 conducteurs de 3 pi
10	178B34	Biellette droite
11	178B35	Biellette courbée
12	41A5266-1	Supports de détecteur de sécurité (2)
		<b>NON ILLUSTRÉS</b>
	41A2770-5	Sachet des fixations de pose (comprend les fixations à la page 5)
	114A2797	Manuel d'instructions

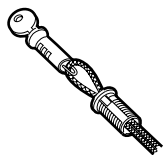
## Pièces d'assemblage du moteur



RÉF.	N° DE PIÈCE	DÉSIGNATION	RÉF.	N° DE PIÈCE	DÉSIGNATION
1	41A4371-1	Capuchon de retenue de la courroie	6	41A5507-3	Plaque logique du récepteur avec panneau d'extrémité
2	41B4245-1	Cordon électrique		41D182-1	Panneau d'extrémité seulement
3	41B4375-3	Bornier avec vis	7	41B5351-6	Module électrique
4	41C5317	Faisceau électrique avec prise (logique)	8	41C168	Transformateur avec harnais
	41C5839	Harnais de fils haute tension	9	41D630-2	Support de: douille d'ampoule, d'interrupteur de fin de course
	41C5806	DC moteur faisceau électrique avec prise	10	41A5490-10	Couvercle
	41C5418	Douille d'ampoule harnais	11	175C147	Douille d'ampoule
5	41D475-1	Moteur 80kg/100kg	12	108D60	Diffuseur

## ACCESSOIRES

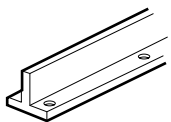
1702LMC



### Détachement rapide d'extérieur :

Nécessaire pour un garage SANS porte d'accès. Permet au propriétaire d'ouvrir la porte de garage manuellement à partir de l'extérieur en déconnectant le chariot.

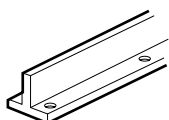
2778BD



### Rail complet de 8 pieds :

Pour permettre à une porte de 8 pieds de s'ouvrir complètement.

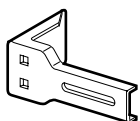
2770BD



### Rail complet de 10 pieds :

Pour permettre à une porte de 10 pieds de s'ouvrir complètement.

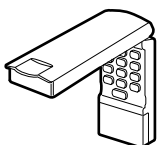
41A5281



### Supports de rallonge :

(Facultatif) Pour la pose du capteur de sécurité au mur ou au sol.

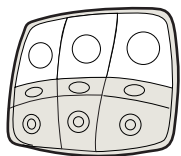
976LMC



### Ouvre-porte sans fil et sans clé avec Security+® :

Permet d'ouvrir la porte de l'extérieur en entrant un code sur le clavier de conception spéciale. Peut également ajouter un code temporaire pour les visiteurs ou les préposés au service. Ce code programmable peut être limité à un nombre programmable d'heures ou d'entrées.

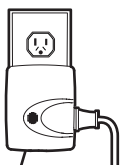
902LMC/903LMC



### Commande murale multifonction pour 2 et 3 portes :

Idéal pour les domiciles qui comptent jusqu'à trois portes. Trois postes de commande logés dans un même panneau pour garder une apparence propre et dégagée. Fonction de verrouillage qui empêche l'actionnement de la porte à l'aide d'une télécommande et commande d'éclairage.

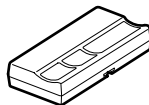
995LMC



### Commande d'éclairage :

Permet d'allumer une lampe, un téléviseur ou un autre appareil à partir de la voiture avec l'ouvre-porte ou à partir de n'importe où dans la maison avec une autre télécommande LiftMaster Security+®.

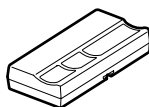
973WC



### Télécommande noyer à 3 - Bouton SECURITY+® :

Comprend agrafe de pare-soleil.

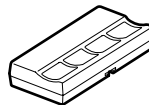
973LMC



### Télécommande à 3 - Bouton SECURITY+® :

Comprend agrafe de pare-soleil.

974LMC



### Télécommande à 4 - Bouton SECURITY+® :

Comprend agrafe de pare-soleil.

970LMC



### Mini-télécommande à 3 - Bouton SECURITY+® :

Avec porte-clé.

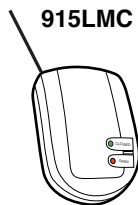
98LMC



### Panneau de commande de porte avec détection de mouvement :

Commande de porte multifonction avec détecteur de mouvement qui allume automatiquement l'éclairage de l'ouvre-porte pendant 5 minutes lorsqu'il détecte une personne pénétrant dans le garage. Le capteur peut facilement être inhibé si désiré.

915LMC



### Système de détection d'ouverture de porte de garage :

Permet de surveiller la plus grande porte de votre domicile! Indique si la porte du garage est ouverte ou fermée. Peut surveiller jusqu'à 4 portes de garage avec des moniteurs supplémentaires.

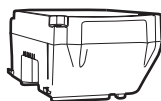
916LMC



### Moniteur de porte de garage :

Moniteur supplémentaire pour les domiciles qui comptent plusieurs portes de garage.

475LMC



### Batterie de secours EverCharge™ :

Système d'alimentation de secours pour l'ouvre-porte de garage, modèle 2500B.

## SERVICE LIFTMASTER À VOTRE DISPOSITION

NOTRE IMPORTANT ORGANISATION DE SERVICE APRÈS-VENTE COUVRE TOUTE LES ÉTATS-UNIS E LE CANADA.

SEPT JOURS PAR SEMAINE, VOUS POUVEZ OBTENIR PAR TÉLÉPHONE DES INFORMATION SUR L'INSTALLATION ET LE SERVICE APRÈS-VENTE :

**1-800-654-4736**

HEURES: (heure standard centrale)  
6 à 19 heures, du lundi au vendredi  
8 à 18 heures, le samedi

8 heures à 16 heures de l'après-midi - le dimanche

[www.liftmaster.com](http://www.liftmaster.com)

Pour une installation, des pièces et un service professionnels, communiquez avec votre dépositaire local CHAMBERLAIN/LIFTMASTER. Recherchez son numéro dans les pages jaunes ou appelez notre numéro de service. Vous obtiendrez la liste des concessionnaires de votre région.

## COMMENT COMMANDER DES PIÈCES DE RECHANGE

Les prix de vente seront fournis sur demande, ou bien les pièces seront expédiées au prix en vigueur et vous seront facturées en conséquence.

LORSQUE VOUS COMMANDEZ DES PIÈCES DE RECHANGE, DONNEZ TOUJOURS LES RENSEIGNEMENTS SUIVANTS :

- NUMÉRO DE LA PIÈCE
- NOM DE LA PIÈCE
- NUMÉRO DE MODÈLE

PASSEZ VOS COMMANDES À :  
THE CHAMBERLAIN GROUP, INC.  
Technical Support Group  
6020 S. Country Club Road  
Tucson, Arizona 85706

NOTRE NUMÉRO DE SERVICE:  
**1-800-654-4736**

### GARANTIE LIMITÉE DE 5 ANS SUR L'OUVRE-PORTE DE GARAGE LIFTMASTER

The Chamberlain Group, Inc. («vendeur») garantit, au premier acheteur de détail de ce produit, pour la résidence dans laquelle ce produit a été installé à l'origine, qu'il sera exempt de vices de matériaux et/ou d'exécution pendant un délai de 5 ans depuis la date d'achat. En outre, le moteur et la courroie sont garanti pendant la durée du produit. Le produit doit être utilisé en stricte conformité avec les instructions d'installation, d'utilisation et d'entretien données par Chamberlain. **Le fonctionnement approprié de ce produit dépend de votre observance des instructions du manuel concernant l'installation, l'utilisation, l'entretien et les essais. Cette garantie sera annulée au complet en cas de défaut de se conformer strictement à ces instructions. Veuillez noter que le système d'inversion de sécurité ne peut fonctionner adéquatement avec votre porte de garage s'il n'est pas ajusté et testé périodiquement en conformité avec le manuel d'instructions.**

Si, durant la période de garantie limitée, il semble que ce produit comporte une défectuosité couverte par cette garantie limitée, **APPELEZ NOTRE NUMÉRO GRATUIT DE SERVICE, AU 1-800-654-4736, AVANT DE DÉMONTER CE PRODUIT.** Envoyez ensuite ce produit, port prépayé et assuré, à notre centre de service pour réparation en vertu de la garantie. Lorsque vous appellerez au numéro gratuit de service, on vous avisera des instructions d'expédition. Veuillez inclure une brève description du problème et un reçu daté faisant preuve d'achat avec tout produit renvoyé pour réparation en vertu de la garantie.

Les produits renvoyés au vendeur pour réparation en vertu de la garantie qui, dès leur réception par le vendeur, sont confirmés comme étant défectueux et couverts par cette garantie limitée, seront réparés ou remplacés (au choix exclusif du vendeur) sans qu'il ne vous en coûte rien, et ils seront renvoyés port prépayé. Les pièces défectueuses seront réparées ou remplacées par des pièces neuves ou des pièces reconstruites en usine, au choix exclusif du vendeur.

**CETTE GARANTIE LIMITÉE TIEN TIENT LIEU DE TOUTE AUTRE GARANTIE, EXPLICITE OU IMPLICITE, Y COMPRIS TOUTE GARANTIE IMPLICITE DE COMMERCIALISATION OU D'APTITUDE À UN USAGE PARTICULIER, OU AUTRE, ET DE TOUTE AUTRE OBLIGATION OU RESPONSABILITÉ DE LA PART DU VENDEUR. CETTE GARANTIE LIMITÉE NE COUVRE PAS LES DOMMAGES NE PROVENANT PAS D'UN VICE, LES DOMMAGES CAUSÉS PAR UNE MAUVAISE INSTALLATION, UTILISATION OU ENTRETIEN (Y COMPRIS, MAIS SANS LIMITATION, L'ABUS, LA MAUVAISE UTILISATION, LE MANQUE D'UNE MAINTENANCE RAISONNABLE ET NÉCESSAIRE, L'UTILISATION DE PIÈCES OU D'ACCESSOIRES NON AUTORISÉS, OU TOUTE ALTÉRATION DE CE PRODUIT), LES FRAIS DE MAIN D'ŒUVRE DE DÉMONTAGE ET DE REMONTAGE D'UNE UNITÉ RÉPARÉE OU REMPLACÉE, LE REMPLACEMENT DES PILES ET DES AMPOULES LUMINEUSES, OU LES UNITÉS INSTALLÉES POUR UNE UTILISATION AUTRE QUE RÉSIDENIELLE. L'UTILISATION DE PIÈCES OU D'ACCESSOIRES NON AUTORISÉS ANNULERA CETTE GARANTIE LIMITÉE. Pour toute question concernant l'autorisation des accessoires ou des pièces de rechange, veuillez contacter Chamberlain.**

**CETTE GARANTIE LIMITÉE NE COUVRE AUCUN PROBLÈME RELATIF À LA PORTE DE GARAGE OU AUX FERRURES DE MONTAGE DE LA PORTE DE GARAGE, Y COMPRIS, DE MANIÈRE NON LIMITATIVE, LES RESSORTS DE LA PORTE, LES ROULEAUX DE LA PORTE, L'ALIGNEMENT ET LES CHARNIÈRES DE LA PORTE. DES FRAIS PEUVENT VOUS ÊTRE FACTURÉS SUITE À UNE INTERVENTION DE SERVICE S'IL S'AVÈRE QUE LE PROBLÈME A ÉTÉ CAUSÉ PAR L'UN DE CES ÉLÉMENTS.**

**LE VENDEUR NE SERA, EN AUCUNE CIRCONSTANCE, RESPONSABLE DES DOMMAGES INDIRECTS, ACCESSOIRES OU SPÉCIAUX DÉCOULANT DE L'UTILISATION OU DE L'INCAPACITÉ D'UTILISER CE PRODUIT. LA RESPONSABILITÉ DU VENDEUR AU TITRE DE LA RUPTURE DE GARANTIE, DE LA RUPTURE DE CONTRAT, DE LA NÉGLIGENCE OU DE LA RESPONSABILITÉ INCONDITIONNELLE NE DÉPASSERA EN AUCUN CAS LE COÛT DU PRODUIT COUVERT PAR LES PRÉSENTES. AUCUNE PERSONNE N'EST AUTORISÉE À ASSUMER POUR NOUS UNE QUELQUE AUTRE RESPONSABILITÉ RELATIVEMENT À LA VENTE DE CE PRODUIT.**

Certaines provinces n'autorisent pas l'exclusion ou la limitation des dommages accessoires, indirects ou spéciaux; il se peut donc que la limitation ou l'exclusion susvisée ne s'applique pas à vous. Cette garantie limitée vous donne des droits précis, et vous pouvez également avoir d'autres droits qui varient d'une province à une autre.

#### GARANTIE À VIE DU MOTEUR ET DE LA COURROIE.

Le moteur et la courroie sont entièrement garantis pendant la durée de vie du produit à l'acheteur d'origine.



## Free Manuals Download Website

<http://myh66.com>

<http://usermanuals.us>

<http://www.somanuals.com>

<http://www.4manuals.cc>

<http://www.manual-lib.com>

<http://www.404manual.com>

<http://www.luxmanual.com>

<http://aubethermostatmanual.com>

Golf course search by state

<http://golfingnear.com>

Email search by domain

<http://emailbydomain.com>

Auto manuals search

<http://auto.somanuals.com>

TV manuals search

<http://tv.somanuals.com>