

CHAMBERLAIN®
LiftMaster®
PROFESSIONAL

3-Channel Receiver
Model 323LM
OWNERS MANUAL

The receiver can be used with a multi-function remote control to operate three residential garage door openers, or with a three-button door control to OPEN, CLOSE or STOP a commercial garage door opener. Not for use on residential fail-safe operators.

INSTALLATION

The receiver and antenna use TV Type F coaxial connectors. The antenna can be plugged directly into the receiver or mounted to a bracket and connected to the receiver with Model 86 Coaxial Cable Kit, depending on your requirements.

Select a location for the receiver which allows access to the terminals and space for the antenna (as far from metal structures as possible and preferably with the antenna in an upright position). Fasten the receiver securely with screws through the two holes provided in the cover flanges.

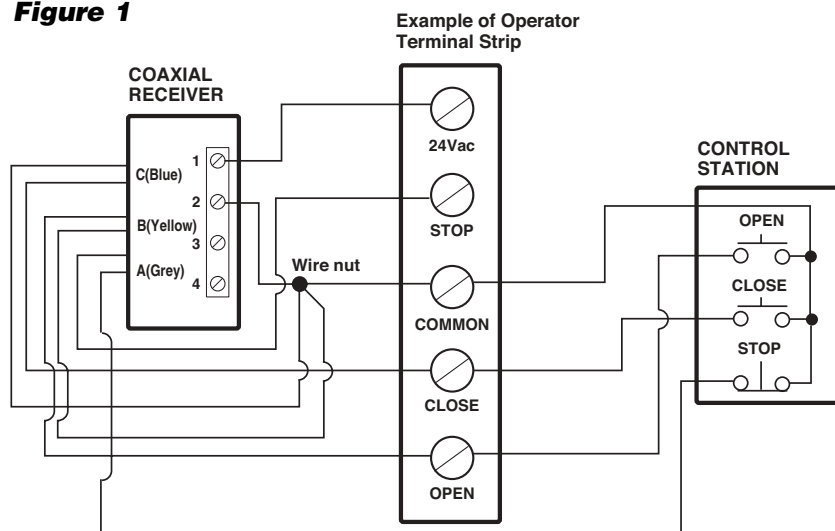
To use the receiver with a 3-button door control and a commercial door opener:

Consult your manufacturer's control connection diagram for instructions on connecting two or more 3-button control devices. Figure 1.

- Use a screwdriver to pry open the receiver cover.

NOTE: The slide switch is factory set to the N.C. position (otherwise the opener will not operate). Verify this setting. Re-connect power to the opener and the accessory transformer, if used.

Figure 1



⚠ WARNING

To prevent possible SERIOUS INJURY or DEATH from electrocution:
 • Be sure power is not connected BEFORE installing the receiver.
 To prevent possible SERIOUS INJURY or DEATH from a moving gate or garage door:
 • ALWAYS keep remote controls out of reach of children. NEVER permit children to operate, or play with remote control transmitters.
 • Activate gate or door ONLY when it can be seen clearly, is properly adjusted, and there are no obstructions to door travel.
 • ALWAYS keep gate or garage door in sight until completely closed. NEVER permit anyone to cross path of moving gate or door.

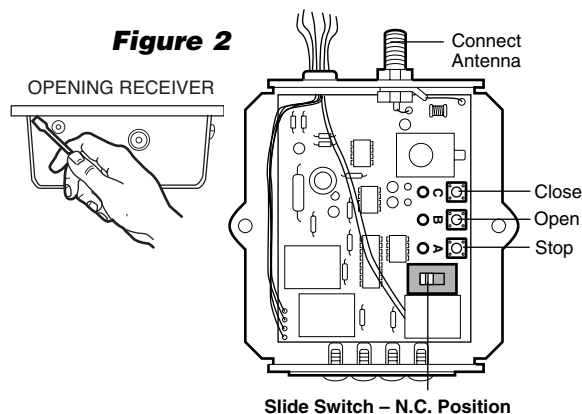
⚠ WARNING

To prevent possible SERIOUS INJURY or DEATH, the use of CONSTANT OPERATION on residential openers is PROHIBITED.

⚠ WARNING

When a receiver is used to activate a commercial door opener, a reversing edge MUST be installed on the bottom of the door. Failure to install a reversing edge under these circumstances may result in SERIOUS INJURY or DEATH to persons trapped beneath the door.

Figure 2



- Select a remote control push button to STOP the opener. (It is recommended that you use the large button on remote).
- Press and hold the selected remote push button.
- Then press and release the "learn" button labeled "A" on the receiver. The adjacent indicator light will FLASH.
- Release the remote push button.

Repeat the procedure above with a second remote push button and receiver "learn" button "B" to program the OPEN operation; and again with the last remote push button and receiver "learn" button "C" to program the CLOSE function of the opener.

Return the front cover to the receiver.

NOTE: If a remote control push button is not pressed within 30 seconds, the indicator light adjacent to the selected "learn" button will turn OFF. In that case, repeat the programming.

To use the receiver to operate three garage door openers with a multi-function remote control:

**Garage door opener no. 1 (without transformer)
Refer to Figure 3 for wiring connections:**

Connect paired grey receiver wires to the opener terminal screws used for the wall push button.

Also, connect bell wire to receiver terminal 1 and opener terminal screw 1; and receiver terminal 2 and opener terminal screw 3.

**Garage door opener no.1 (with transformer 95)
Refer to Figure 4 for wiring connections:**

Connect bell wire to receiver terminal screws 1 and 2, and to transformer terminals. Also, connect paired grey receiver wires to opener terminal screws used for wall push button.

Garage door opener no. 2: Connect paired yellow wires from the receiver to the opener terminal screws used for the wall button.

Garage door opener no. 3: Connect paired blue wires from the receiver to the opener terminal screws used for the wall button.

Use a screwdriver to pry open the receiver cover.

Set the slide switch to the N.O. position. If this is not done, opener #1 may not operate properly.

Re-connect power to the opener(s) and to the transformer, if used.

- Select a remote push button to operate garage door opener #1.
- Press and hold the selected remote button. Then press and release the “learn” button labeled “A” on the receiver. The adjacent indicator light will FLASH.
- Release the remote push button. Opener #1 will now operate when the selected remote control push button is pressed.

Repeat the procedure with the other two remote push buttons to program the second opener (“learn” button “B”) and the third opener (“learn” button “C”). *Figure 5.*

Return the cover to the receiver.

NOTE: If opener #1 will not run, check to be sure the slide switch on the receiver is set to the N.O. position.

NOTE: If a remote control push button is not pressed within 30 seconds, the indicator light adjacent to the selected “learn” button will turn OFF. In that case, repeat the programming.

Figure 3

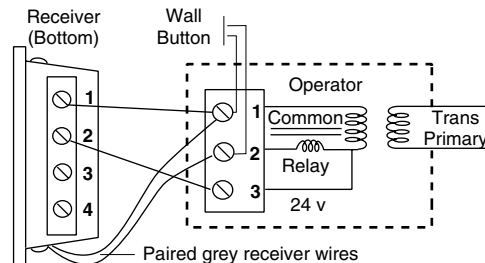


Figure 4

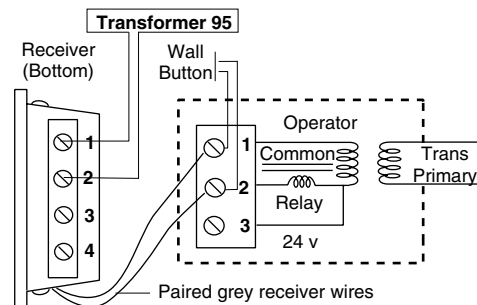
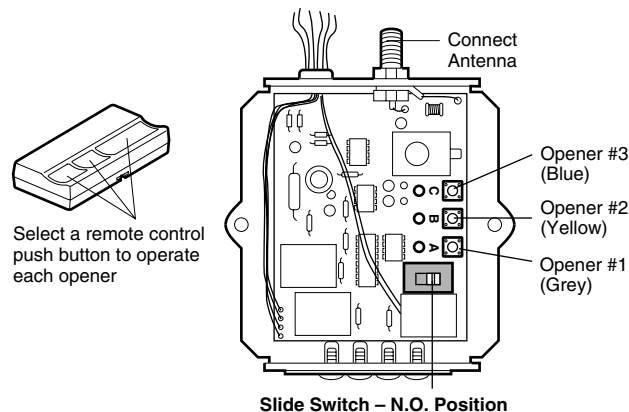


Figure 5



SPECIFICATIONS

Output Rating.....	5 Amps 28VAC or DC Max.
Power.....	18 - 30V ~, 30mA, 60Hz
	18 - 30V ==, 30mA
RF Frequency.....	.315 MHz

If the power is other than shown in specifications, Accessory Transformer Model 95 is required. Model 86 Coaxial Cable Kit is also available.

Accessory Transmitters — Series 300.

NOTICE: To comply with FCC and or Industry Canada (IC) rules, adjustment or modifications of this receiver and/or transmitter are prohibited, except for changing the code setting or replacing the battery. THERE ARE NO OTHER USER SERVICEABLE PARTS.

Tested to Comply with FCC Standards FOR HOME OR OFFICE USE. Operation is subject to the following two conditions: (1) this device may not cause harmful interference, and (2) this device must accept any interference received, including interference that may cause undesired operation.

Free Manuals Download Website

<http://myh66.com>

<http://usermanuals.us>

<http://www.somanuals.com>

<http://www.4manuals.cc>

<http://www.manual-lib.com>

<http://www.404manual.com>

<http://www.luxmanual.com>

<http://aubethermostatmanual.com>

Golf course search by state

<http://golfingnear.com>

Email search by domain

<http://emailbydomain.com>

Auto manuals search

<http://auto.somanuals.com>

TV manuals search

<http://tv.somanuals.com>