

CHAMBERLAIN®

# LiftMaster®

**PROFESSIONAL**

## OWNER'S MANUAL MODEL SL920 COMMERCIAL SLIDE GATE OPERATOR



SL920 GATE OPERATORS ARE FOR USE ON VEHICULAR PASSAGES ONLY AND NOT INTENDED FOR USE ON PEDESTRIAN PASSAGE GATES.







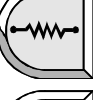



**2 YEAR WARRANTY**

Serial # \_\_\_\_\_  
(located on electrical box cover)

Installation Date: \_\_\_\_\_



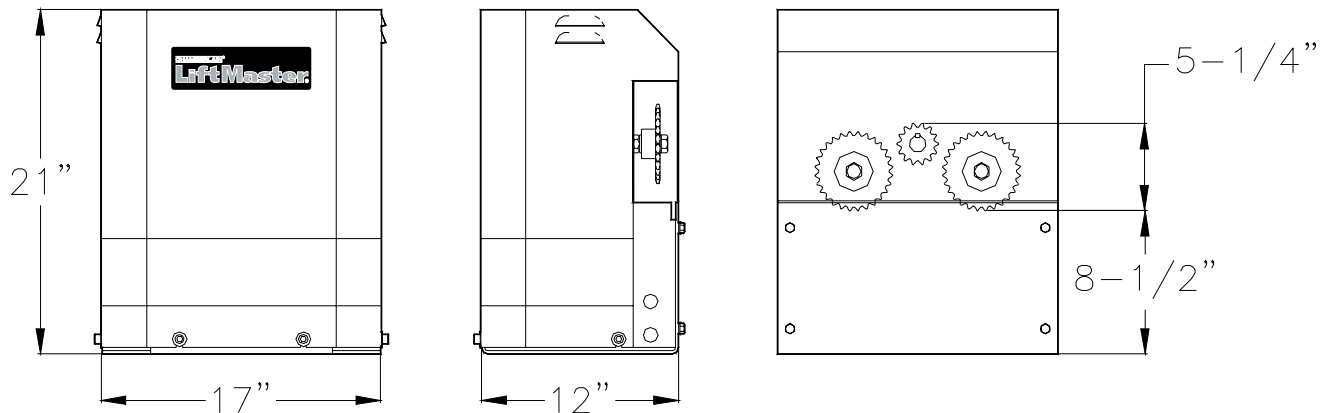
# Contents

	Pg.
 General Information.....	3, 4
 Features.....	5
 Parts Identification.....	6, 7
 Installation.....	8-11
 Alternate Installation.....	12
 Electrical.....	13-16
 Fine Tuning.....	17
 Master Second.....	18
 Wiring Diagrams.....	19, 20
 Safety Edge.....	21
 Options.....	22-24
 Maintenance and Safety.....	25
 Troubleshooting.....	26, 27
 Notes.....	28-31

## IMPORTANT SAFETY INSTRUCTIONS

WARNING - To reduce the risk of injury or death:

- 1) READ AND FOLLOW ALL INSTRUCTIONS
- 2) Never let children operate or play with gate controls. Keep the remote control away from children.
- 3) Always keep people and objects away from the gate. **NO ONE SHOULD CROSS THE PATH OF THE MOVING GATE.**
- 4) Test the gate operator monthly. The gate **MUST** reverse on contact with a rigid object or stop when an object activates the non-contact sensors. After adjusting the force or the limit of travel, retest the gate operator. Failure to adjust and retest the gate operator properly can increase the risk of injury or death.
- 5) Use the emergency release only when the gate is not moving.
- 6) **KEEP GATES PROPERLY MAINTAINED.** Read the owner's manual. Have a qualified service person make repairs to gate hardware.
- 7) The entrance is for vehicles only. Pedestrians must use separate entrance.
- 8) **SAVE THESE INSTRUCTIONS.**



○ **OVERALL DIMENSIONS:** Height: 21" Length: 12" Width: 17"

○ **SHIPPING WEIGHT:** 125 lbs.

● Options: Steel Mounting Stand: 23 lbs.

○ **POWER REQUIREMENT:** Dedicated 115 Volt AC (+/- 10V), 5 AMP Power Circuit

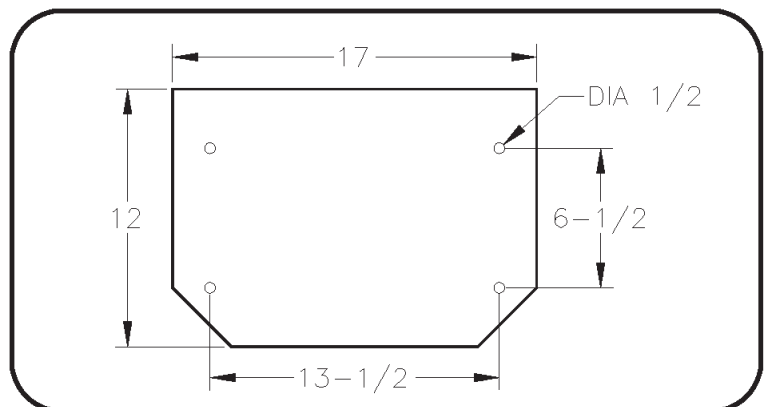
○ **APPLICATIONS:**

- Maximum Gate Weight: 500 lbs.
- Maximum Gate Length: 25 ft.
- Maximum Track Grade: 5 % (1 ft. rise over 20 ft. run)
- Maximum Gate Speed: 10"/sec.

○ **INCLUDED WITH OPERATOR:**

- 30-Feet of # 40 Roller Chain
- 2-Master Links # 40
- 2-Zinc Plated Chain Bolts
- 2-Chain Brackets, Right and Left
- 2-U-Bolts, Round (for chain brackets)
- 2-U-Bolts, Square (for chain brackets)
- 2-Safety Warning Placards
- 1-Hex Wrench 5/16"
- 1-Instruction Manual
- 1-Flexible Conduit End Fitting 1/2"
- 4-Sleeve Anchor Bolts (red heads) 3/8" X 3"

## BASE PLATE HOLE PATTERN



○ **CIRCUIT BOARD:** The SL920 uses the Full Systems Capability circuit board, a powerful control system. This circuit board operates on 12 ~ 18 Volts and can deliver power to the motor through high power switching. The limit switch input terminals require the use of normally open type limit switches. These switches are used to accurately stop the gate operator in the open and closed positions. To safeguard the operator from damage that could result from limit switch or system protection failure, the Full Systems Capability circuit board has a built-in maximum run timer which will allow the operator to run for approximately 300 seconds and then shut off automatically. The Full Systems Capability circuit board has an adjustable gate sensitivity feature which will stop or reverse the gate if the gate is pushing harder than normal because of an obstruction.

○ **GATE SENSITIVITY:** The SL920 Full Systems Capability circuit board has a built-in system protection feature which when adjusted properly will deliver only enough power to the motor to overcome the resistance of the gate. The amount of power that the circuit board will deliver can be adjusted for both directions of travel to accommodate the various gate weights that the SL920 operator is recommended for. (See Applications Pg. 3)

### ○ Vehicular Gate Operator Classes:

- Class I** - Residential Vehicular Gate Operator: A vehicular gate operator (or system) intended for use in a home of one-to four single family dwellings, or a garage or parking area associated therewith.
  - Class II** - Commercial/General Access Vehicular Gate Operator: A vehicular gate operator (or system) intended for use in a commercial location or building such as a multifamily housing unit (five or more single family units), hotel, garage, retail store, or other building servicing the general public.
  - Class III** - Industrial/Limited Access Vehicular Gate Operator: A vehicular gate operator (or system) intended for use in an industrial location or building such as a factory or loading dock area or other locations not intended to service the general public.
  - Class IV** - Restricted Access Vehicular Gate Operator: A vehicular gate operator (or system) intended for use in a guarded industrial location or building such as an airport security area or other restricted access location not servicing the general public, in which unauthorized access is prevented via supervision by security personnel.
- Gate Operator model SL920 is intended for Vehicular Gate Operator Classes I, II, III, and IV.

### ○ Gate Inspection:

- a) Install the gate operator only when:
  - 1) The operator is appropriate for the construction of the gate and the usage Class of the gate,
  - 2) All openings of a horizontal slide gate are guarded or screened from the bottom of the gate to a minimum of 4 ft. above the ground to prevent a 2-1/4 " diameter sphere from passing through the openings anywhere in the gate, and in that portion of the adjacent fence that the gate covers in the open position.
  - 3) All exposed pinch points are eliminated or guarded, and
  - 4) Guarding is supplied for exposed rollers.
- b) The operator is intended for installation only on gates used for vehicles. Pedestrians must be supplied with a separate access opening.
- c) The gate must be installed in a location so that enough clearance is supplied between the gate and adjacent structures then opening and closing to reduce the risk of entrapment.
- d) The gate must be properly installed and work freely in both directions prior to the installation of the gate operator. Do not over-adjust the gate sensitivity to compensate for a damaged gate.



## ○ OPERATION

The SL920 Full Systems Capability can operate in a AUTO CLOSE TIMER (TIMER ON) or a PUSH-TO-OPEN/PUSH-TO-CLOSE (TIMER OFF) mode of operation. In the AUTO CLOSE TIMER mode of operation the operator is given a command to open the gate and hold it open until the input is released and until the auto close timer has elapsed at which point the operator will close the gate automatically. In the PUSH-TO-OPEN/PUSH-TO-CLOSE mode of operation each time a signal is sent to the operator, it will cause it to do the opposite of what it did before. (i.e., If the gate is closed, it will start opening, if it is open, it will start closing: If it is closing, it will REVERSE TO OPEN, if it is opening, it will REVERSE TO CLOSE.)

## ○ CONTROLS

The SL920 Full Systems Capability works with the following control devices: Key switches, Push buttons (separate or intercom), numerical key pads and any peripheral equipment which can supply normally open or normally closed contacts as well as optional radio transmitters and receiver (specified by and available from the manufacturer). These contacts can be connected to the operator input terminals to perform the opening, close, safety, or the stop functions.

## ○ AUTO CLOSE TIMER

The operator comes factory preset with the auto close timer turned OFF. The auto close timer will close the gate automatically after a specific amount of time has elapsed. The amount of time can be easily adjusted between 0 and 45 seconds by turning a small "pot" located on the right edge of the circuit board (See page 17). The timer can be disabled or activated by flipping a single switch located on the top right edge of the circuit board. If the timer will be used it is recommended that some type of supplementary safety device be installed. If more time is required, there is an extended timer available from the manufacturer allowing up to 100 additional seconds (See Options).

## ○ MANUAL RELEASE SWITCH

This simple on-off switch is built into the operator. In an emergency, EVEN WITH THE POWER OFF, the gate can be pushed open manually after flipping the switch from Operate to Release. This switch may also be removed and placed externally from the machine.

## ○ GATE SENSITIVITY ADJUSTMENT FOR SYSTEM PROTECTION

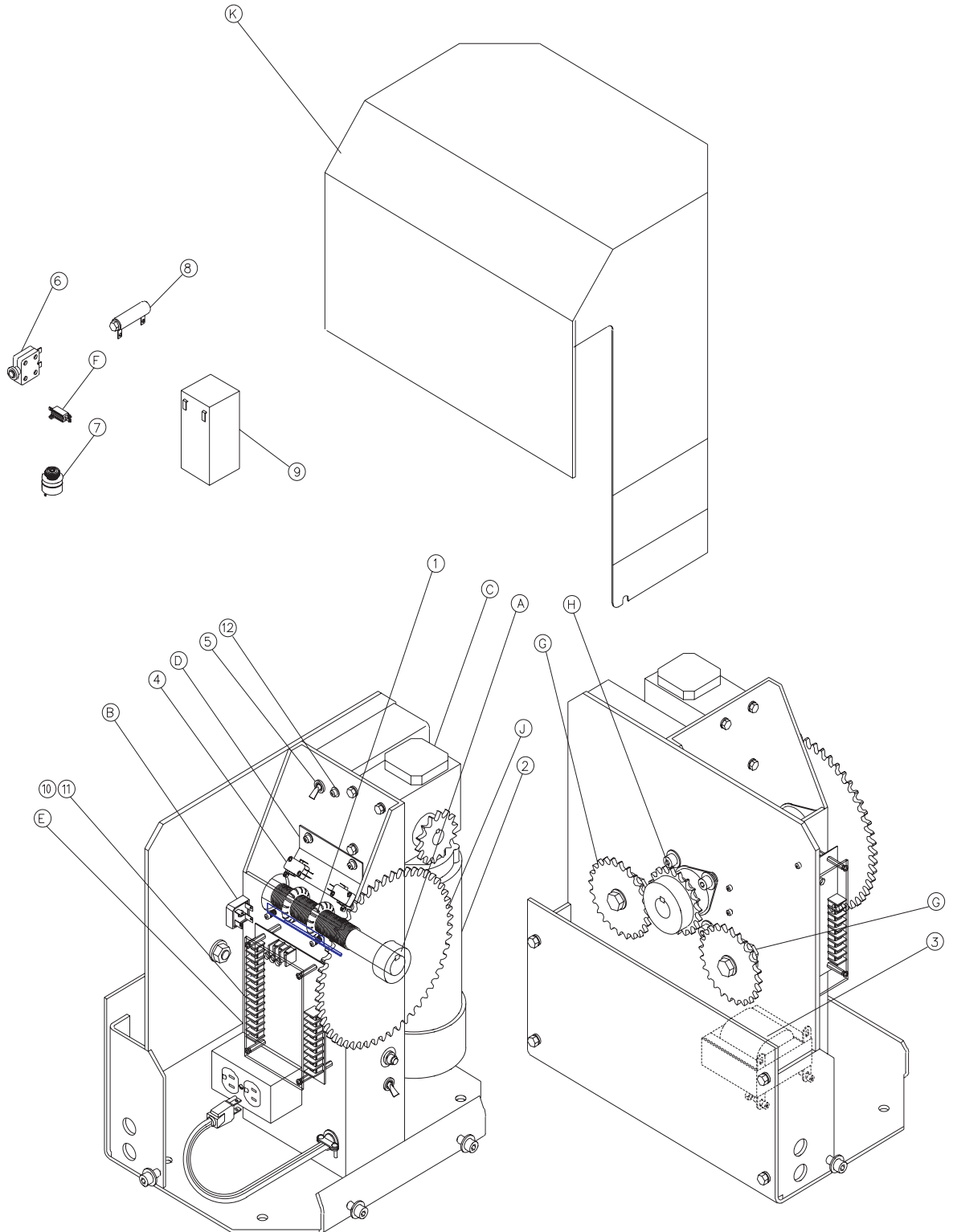
The amount of force necessary to stop the gate can be adjusted to conform to the various sizes and weights of any particular gate. When adjusting the sensitivity, the operator can be given only as much energy as is necessary to overcome the resistance of the gate. If the gate should strike an obstruction in either direction, the gate will reverse. If the gate should again strike an obstruction before reaching a limit, the gate will stop, remain stopped, and will sound an alarm. (See page 17)

## ○ MASTER AND SECOND

Some very large entrances may require the use of two gates. If this is the case, the two gates can be easily automated using the "master and second" configuration. This configuration uses two gates and two operators in ONE driveway. The operators used are two regular SL920 Full Systems Capability operators one of which is of standard "right hand operation" and the other which is easily converted to "left hand operation" by flipping a single switch located at the top of the circuit board (See page 17).



# Parts Identification



<b>K72-30359 SERVICE KIT LIMIT/DRIVE SHAFT ASSEMBLY</b>		<b>A</b>
DESCRIPTION	QTY	
LIMIT/DRIVE SHAFT	1	
BEARING	2	
LIMIT NUT	2	
SPROCKET, 41B20, 1/4" KW, (2) 1/4" SS	1	
KEY, WOODRUFF, 1/4" X 7/8"	1	
Steel shim washer, 1" x 1.5" x 0.010"	1	
Steel shim washer, 1" x 1.5" x 0.031"	2	
HEX BOLT, 3/8-16 X 1"	4	
FLANGE NUT, 3/8-16	4	
E-RING, 1"	1	

<b>K74-40084 BRIDGE RECTIFIER ASSEMBLY</b>		<b>B</b>
DESCRIPTION	QTY	
CAPACITOR, RECTIFIER	1	
BRIDGE RECTIFIER	1	
SCREW, PH PHILLIPS, #6-32 X 1"	1	
FLANGE NUT, 6-32	1	

<b>K75-30349 SERVICE KIT GEAR BOX, W/ SPROCKET</b>		<b>C</b>
DESCRIPTION	QTY	
GEAR BOX	1	
HEX BOLT, 1/4-20 X 3/4"	4	
LOCKWASHER, 1/4"	4	
KEY, 1/8" X 1-1/8"	1	
SPROCKET, 35B12 X 5/8" BORE	1	

<b>K74-40386 SVC. KIT, LIMIT SWITCH</b>		<b>D</b>
DESCRIPTION	QTY	
LIMIT SWITCH	2	
HEX STANDOFF 4-40 x 1-1/2 F/F	4	
LIMIT SWITCH ACTUATOR PLATE	1	
LOCKNUT, #8-32	2	
LOCKWASHER, #4	8	
SCREW, PH PHILLIPS, #4-40 X 5/8"	8	
SCREW, PH PHILLIPS, #8-32 X 1"	2	
SPRING, LIMIT PLATE	2	

<b>K74-40045 SERVICE KIT PCB GUARD AND STANDOFF</b>		<b>E</b>
DESCRIPTION	QTY	
GUARD, PCB	1	
JUMPER, PCB	3	
HEX STANDOFF, 6-32 x 1", M/F	4	
HEX STANDOFF, 6-32 x 1/2", F/F	4	
SCREW, PH PHILLIPS, #6-32 X 1/4"	4	
SCREW, PH PHILLIPS, #6-32 X 3/8"	4	

<b>K74-40065 SERVICE KIT EXTERNAL RESISTOR</b>		<b>F</b>
DESCRIPTION	QTY	
EXTERNAL CURRENT RESISTOR		
SHRINK WRAP, 1"	2	
SCREW, PH PHILLIPS, #2-56 X 1/2"	2	
LOCKNUT, #2-56	2	
WIRE, GREEN, 8", STIP X FORK	1	
WIRE, YELLOW, 8", STIP X FORK	1	

<b>K75-40346 SERVICE KIT IDLER SPROCKET</b>		<b>G</b>
DESCRIPTION	QTY	
SPROCKET, 41B24, 3/16" KW, (2) 1/4" SS	1	
BEARING, 1/2" ID x 3/4" OD x 1/2"	1	
HEX BOLT, 5/8-11 X 2-3/4", GRADE 5	1	
HEX JAM NUT, 5/8-11	2	
LOCKWASHER, 5/8	1	

<b>K75-40402 SVC. KIT DRIVE SPROCKET</b>		<b>H</b>
DESCRIPTION	QTY	
SPROCKET, 41B18, 1/4" KW, (2) 1/4" SS	1	
KEY, WOODRUFF, 1/4" X 7/8"	1	

<b>K75-40403 SVC. KIT, REDUCTION SPROCKET</b>		<b>J</b>
DESCRIPTION	QTY	
SPROCKET, 35B54, 1" Bore	1	
KEY, WOODRUFF, 1/4" X 7/8"	1	

<b>K74-40378 SVC. KIT, OPERATOR COVER</b>		<b>K</b>
DESCRIPTION	QTY	
COVER, SL920 & 930	1	
LABEL, LIFTMASTER BUBBLE	1	
SCREW, SOCKET, 3/8-16 X 1"	4	
WASHER, 5/16, INTERNAL GRIP, PLASTIC	4	

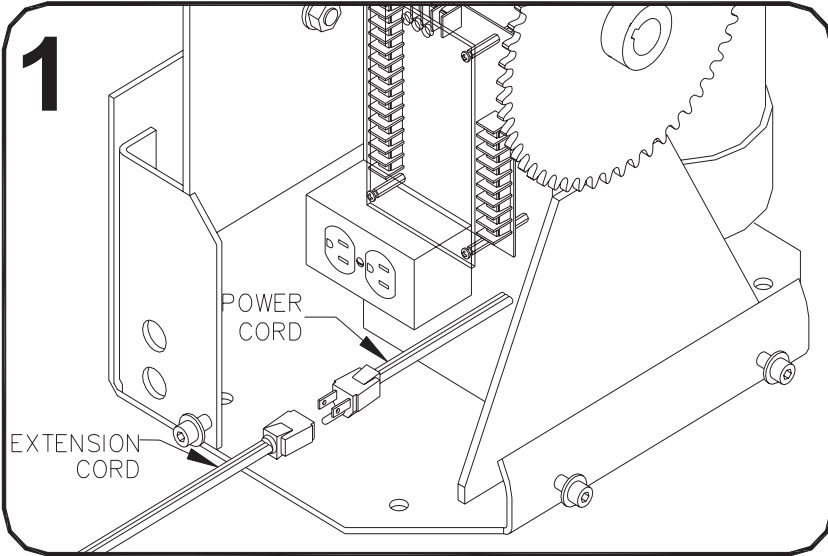
<b>50-19914 RADIO KIT (OPTIONAL)</b>		
DESCRIPTION	QTY	
412HM RADIO	1	
CABLE EXTENSION KIT	1	
STICK-ON CABLE FASTENER	2	
6-32 x 1/2 PAN HEAD SCREWS	2	
6-32 x 1 HEX MALE/FEMALE STANDOFF	2	
#6 FLAT WASHER	2	
#6 LOCK WASHER	2	
#6 NUT	2	
3" STRIP OF FLEX-GROMET	1	

<b>INDIVIDUAL PARTS</b>			
ITEM	PART #	DESCRIPTION	QTY
1	13-40362	LIMIT NUT	2
2	20-40381	MOTOR, 24VDC, 1/5 HP	1
3	21-40074	XFMR, 120V, 60HV	1
5	23-40050	LIMIT SWITCH	2
5	23-40357	SWITCH SPST, TOGGLE	1
6	25-40356	CIRCUIT BREAKER, 5 AMP	1
7	29-40089	SONALERT PIEZO ALARM	1
8	29-40355	RESISTOR 10 OHM	1
9	29-NP712	BATTERY, 12V 7AH	1
10	K79-40056	PCB, COMPLETE, FULL SYSTEM	1
11	K79-40370	PCB, BATTERY CHARGE	1
12	25-2015	BREAKER 15AMP	1



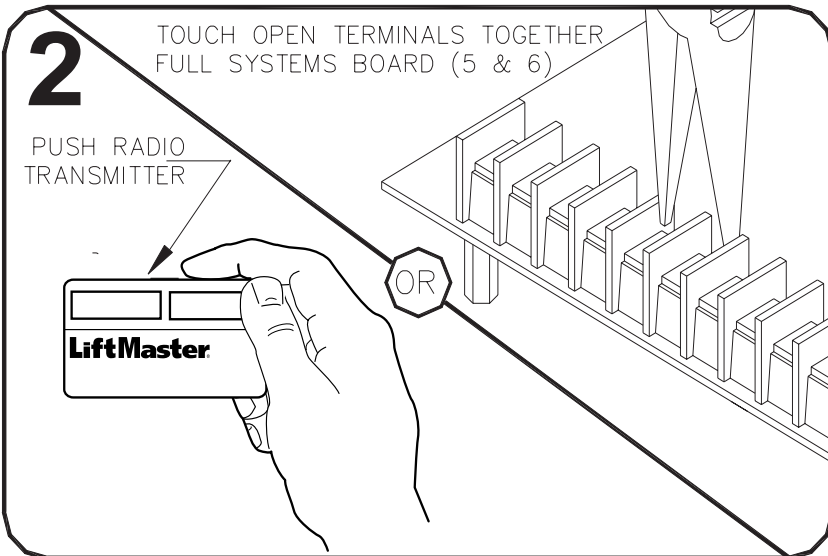
# Installation

## TEST OPERATOR



- Remove the gate operator from its package and make sure that all parts are included. Refer to General Information and Parts Identification. If any parts appear to be missing, contact dealer.

- Temporarily plug the operator into 115 Volt outlet or extension cord.



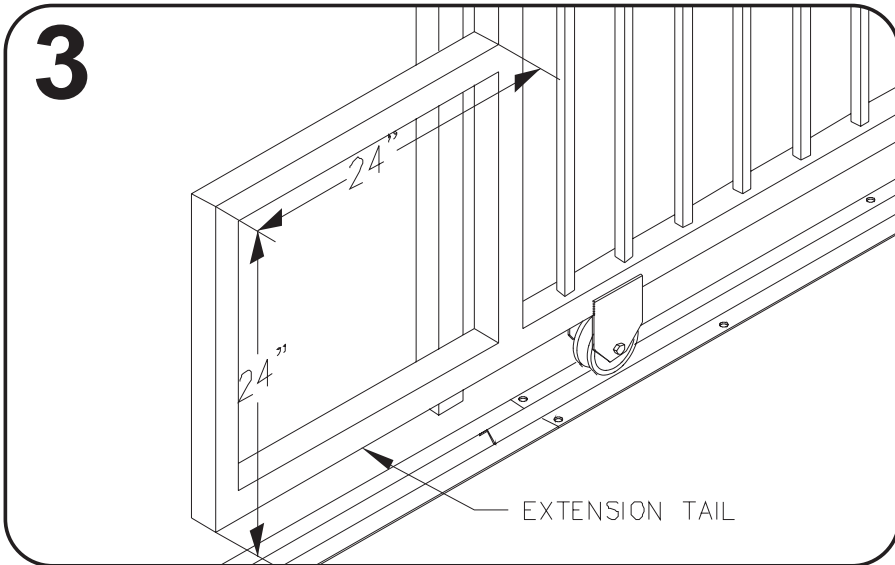
- Before beginning installation, test the gate operator by running the operator back and fourth 2 or 3 times. If the gate operator appears to have any shipping damage, contact a dealer.

- The operator may be run back and fourth by momentarily touching the open input terminals together. The terminals can be touched together with a short length of wire, paper clip or needle nose pliers. With full systems capability circuit board, the open input terminals are 5 and 6.

- **Disconnect Power when finished!**



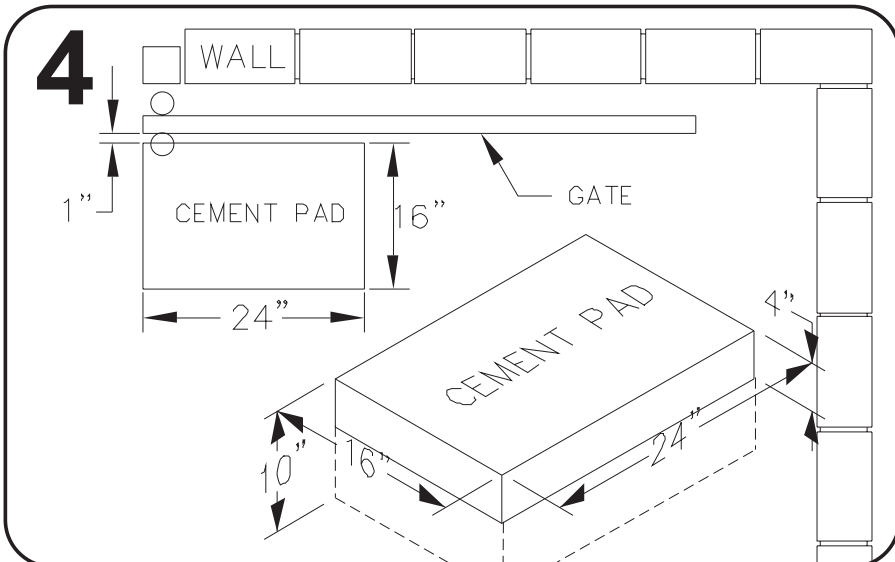
## GATE PREPERATION



○ **Disconnect Power from the gate operator!**

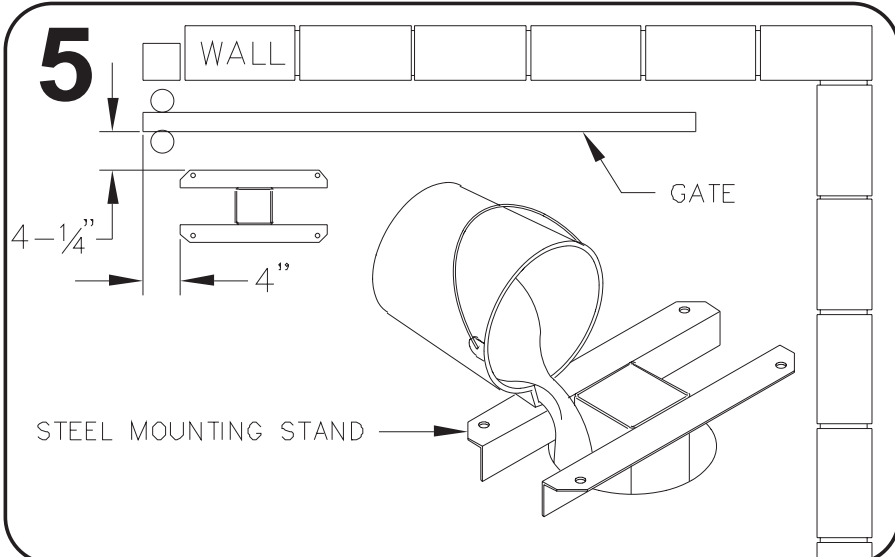
○ The tail end of the gate should extend approximately 24" beyond the edge of the driveway. If this is not the case, an extension tail will need to be added to the gate. This will give room for the gate operator. Make the extension tail 24" X 24" as shown. If the gate has not yet been fabricated, add 24" to the length of the gate.

## CEMENT PAD LOCATION



○ If no concrete surface exists to attach the gate operator to, make a cement pad 16" X 24" X 10". The cement pad should be at least 6" in depth and extend below frost line. If it is desirable to elevate the gate operator it may protrude 4" or more above ground as shown. Place the shortest pad edge even with the driveway edge. Place the longer edge of the pad 1" away from the gate.

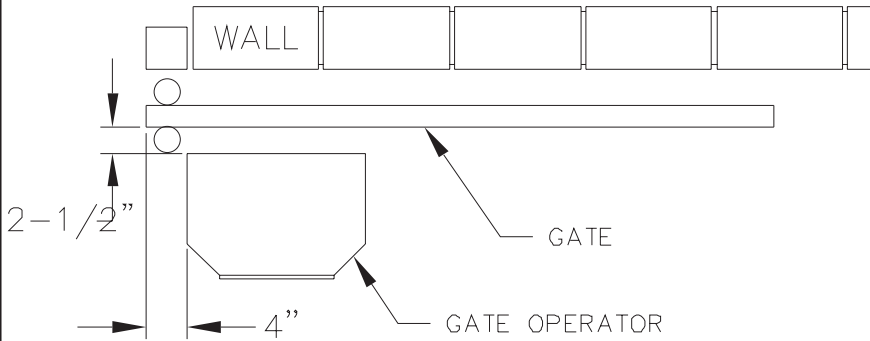
## OPTIONAL MOUNTING STAND



○ If the steel mounting stand will be used, place the shortest edge of the stand 4" from the driveway edge and place the longest edge of the stand 4-1/2" away from the gate. The top of the steel stand may sit on the ground or the stand may be elevated to keep the operator above snow, flooding etc. Make a post hole and cement the stand in place, making sure the stand is level and square to the gate.

## POSITION GATE OPERATOR

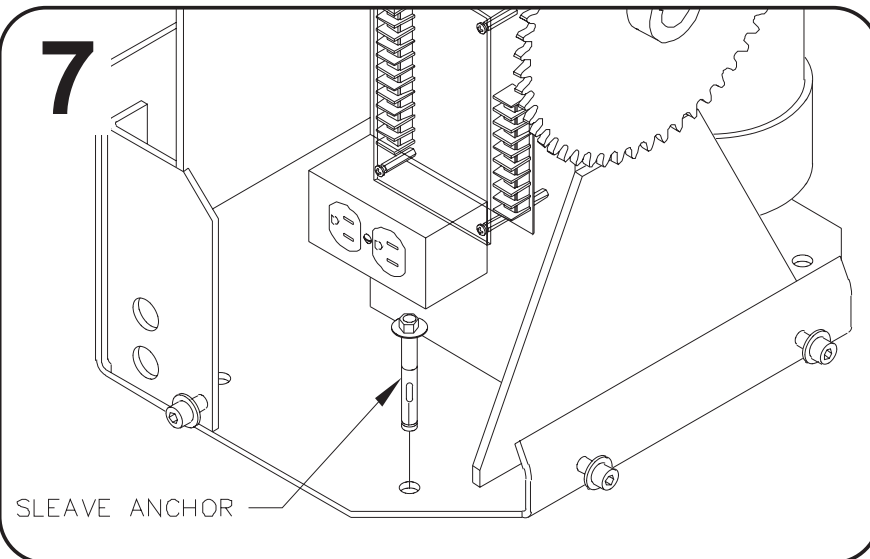
6



○ If the steel mounting stand was used, simply bolt the gate operator to the stand. If the operator will be mounted to a concrete surface or pad, place the shortest edge of the operator 4" away from the edge of the driveway. Place the longer edge of the gate operator 2-1/2" away from the gate.

## ANCHOR THE OPERATOR

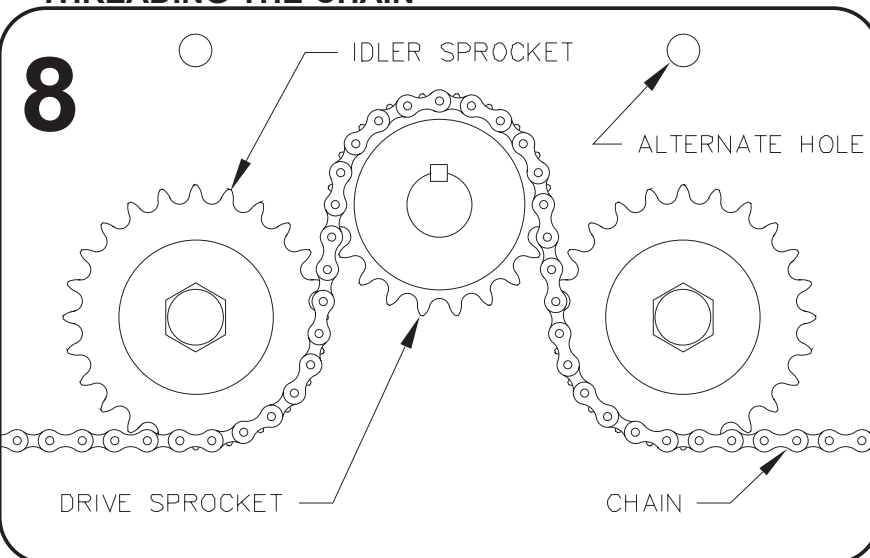
7



○ When the gate operator is correctly positioned on the concrete surface or pad, mark the base hole locations onto the cement with a felt tip marker or equivalent. Once marked, move the operator to the side and drill the 4 holes using a 3/8" masonry bit. Place the operator back into position. Insert the four sleeve anchors into the holes and firmly tighten.

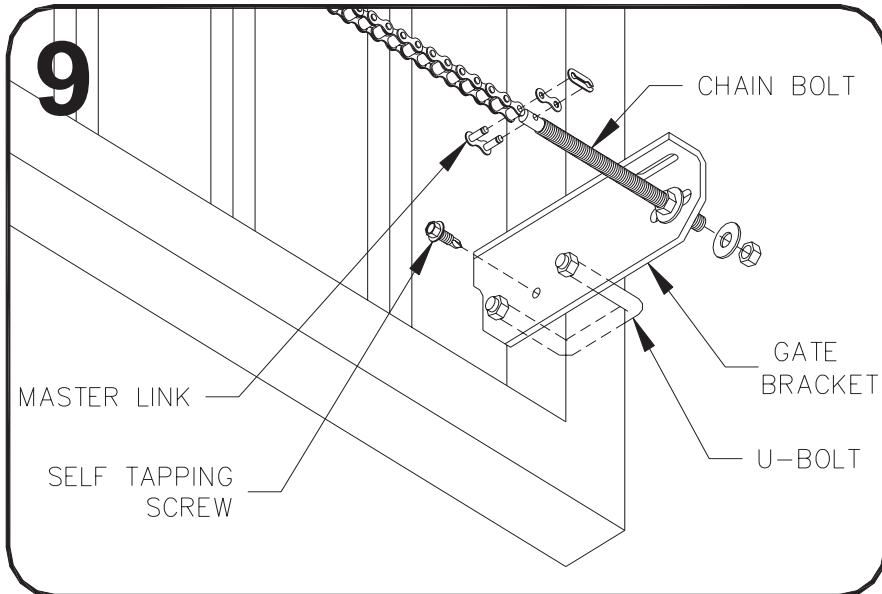
## THREADING THE CHAIN

8



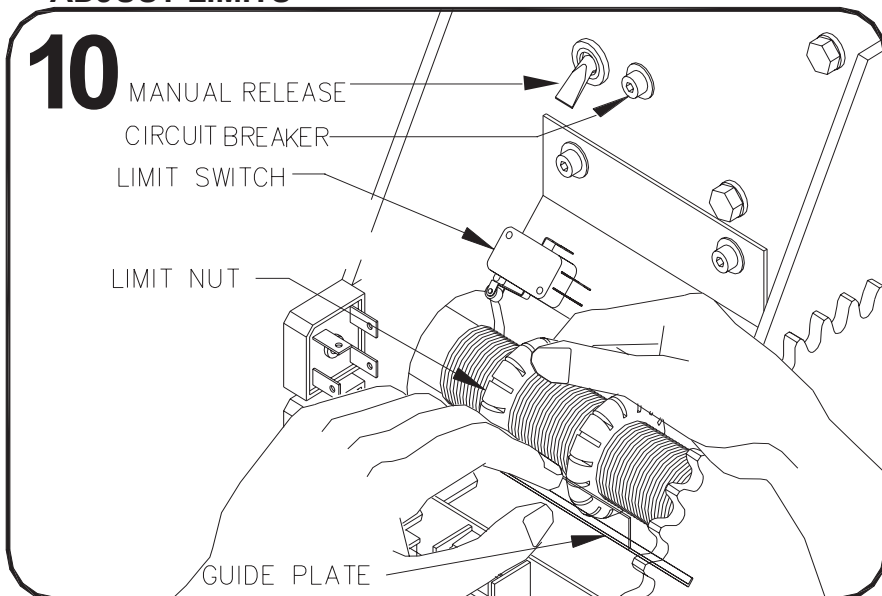
○ Now that the operator is firmly attached, the chain may now be connected to the gate and operator. Begin by threading the chain through the sprockets. The sprockets come arranged as shown so that the chain may be threaded under the idler sprockets and over the drive sprocket. Alternately, the chain may be threaded over the idler sprockets and under the drive sprocket by moving the idler sprockets to the alternate positions above. Note: the cover will need to be modified for the alternate arrangement.

### ATTACH CHAIN TO GATE



○ Attach the gate bracket to the gate as shown using the round or square u-bolts for round or square gate frames respectively. Attach the chain to the gate brackets using the chain bolt and master link as shown. If necessary, the chain may be easily shortened using a chain breaker. Adjust the height of the gate brackets until the chain is level and firmly tighten the u-bolts. For round gate frames it may be necessary to drive the self tapping screw through the gate bracket, and into the gate.

### ADJUST LIMITS

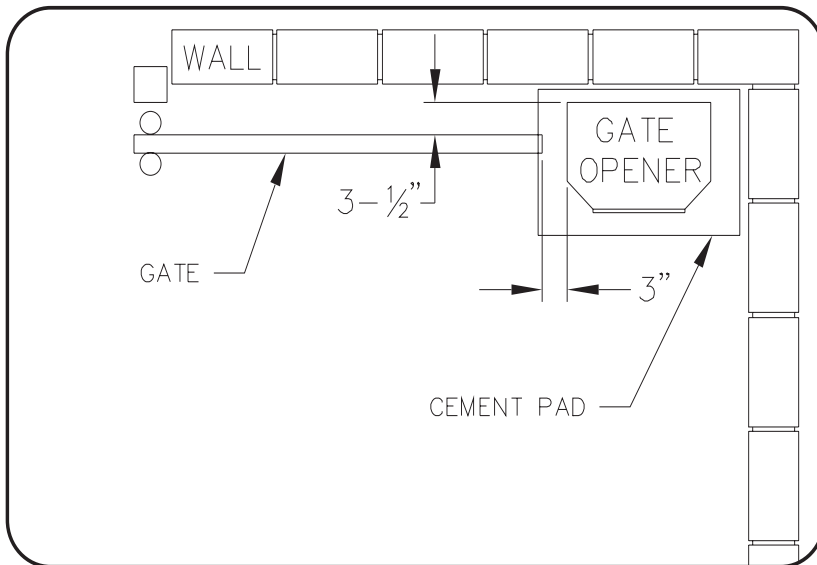


○ The limit nuts need to be adjusted to cause the gate to stop in the desired open and closed positions. These adjustments can be roughly made before power has been hooked up by flipping the manual release switch and pushing the gate manually. Push the gate to the open position and adjust the limit nut to press the limit switch in. The limit nuts can be turned after pressing down on the guide plate. Push the gate closed and adjust the other limit nut to press in the other limit switch. Caution "do not allow the limit nuts to travel past the switch as this may damage the switches". When finished, make sure the guide plate is properly engaged with the grooves on the limit nuts.



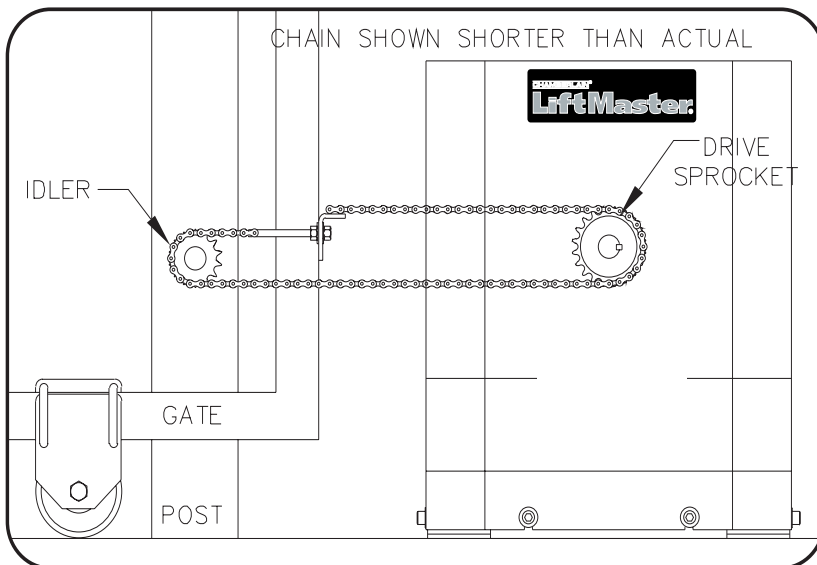
## Alternate Installations

### REAR MOUNT PLACEMENT



○ The rear mount installation is an excellent way to conceal the chain or operator. The operator is placed in the extreme rear of the gate as shown and the chain never goes across the driveway. The chain only goes from the gate operator to a post or wall beside the driveway. Place shortest edge of the operator 3" from the rear end of the gate and place the long edge of the operator 3-1/2" away from the gate toward the wall.

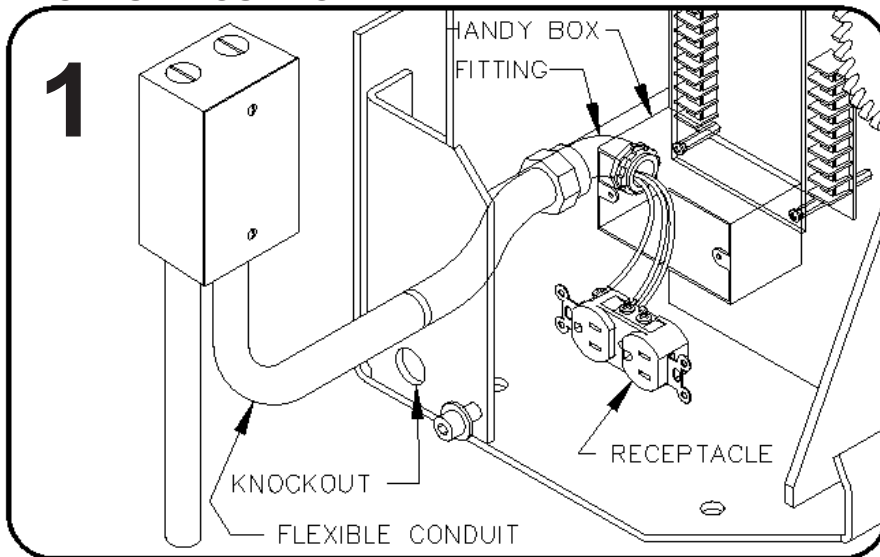
### CHAIN ARRANGEMENT



○ The chain will form a continuous loop, going around the drive sprocket on the operator, and around the idler sprocket on the post or wall. Only one gate bracket is required on the rear edge of the gate where both ends of the chain come together and attach to the bracket. To prepare the SL920 for a rear mount installation, remove one or both idler sprockets from the operator. Neither idler sprocket will be needed on the gate operator. For the idler sprocket, an ES130 End Sprocket Assembly with chain guard may be used. Alternately, an idler sprocket that was removed from the gate operator may be used. It is recommended that a cover be placed over the idler sprocket in this case for safety.



## CONDUIT ROUTING

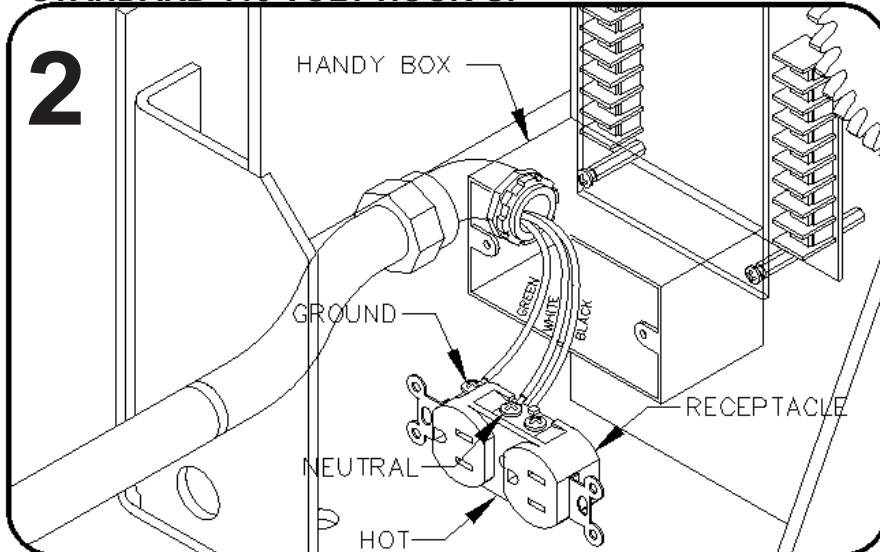


○ **Make sure that power is OFF before making any electrical connections!**

○ Be sure that all wiring is employed as required by local codes.

○ The operator is provided with two knockout holes on each side. Run 1/2" liquid tight flexible conduit through one of the four knockout holes and into the handy box where the receptacle is located. An elbow fitting is attached to the handy box and a straight fitting is supplied for the other end of the flexible conduit. Run three 12 gauge wires through the flexible conduit and into the handy box. There should be a black or other colored wire for hot, a white wire for neutral, and a green wire for earth ground.

## STANDARD 115 VOLT HOOK-UP

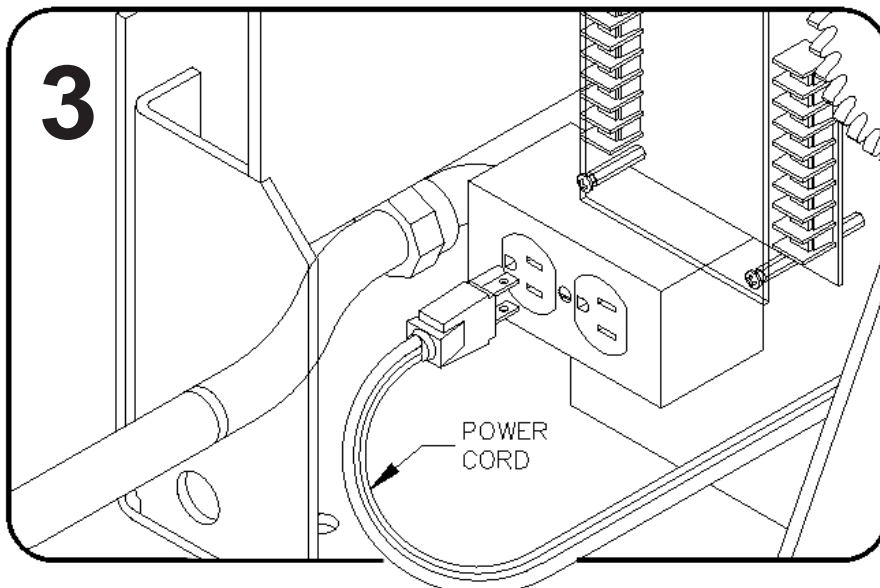


○ Connect the three 12 gauge wires to the 115 Volt receptacle.

○ Connect the black (hot) wire to the brass screw.

○ Connect the white (neutral) wire to the silver screw.

○ Connect the green (ground) wire to the green grounding screw.



○ When the wires have been connected to the receptacle, insert the receptacle back into the handy box. Secure the receptacle to the handy box with two screws. Apply the receptacle cover to the receptacle and secure it with a screw. The power cord may now be plugged into the receptacle.

○ To reduce the risk of electric shock, this equipment has a grounding type plug that has a third (grounding) pin. This plug will only fit into a grounding type outlet. Do not change the plug in any way.

## BATTERY BACK-UP

1

**RIGHT/LEFT SWITCH**  
(Set same as RIGHT/LEFT)  
(switch on control board)

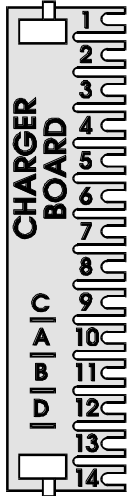
**MODE 1:** Gate continues to operate when power is lost. When battery gets low, gate will open and stay open until power is restored.

**MODE 2:** Gate will open immediately when power is lost and stay open until power is restored.

**MODE SWITCH**

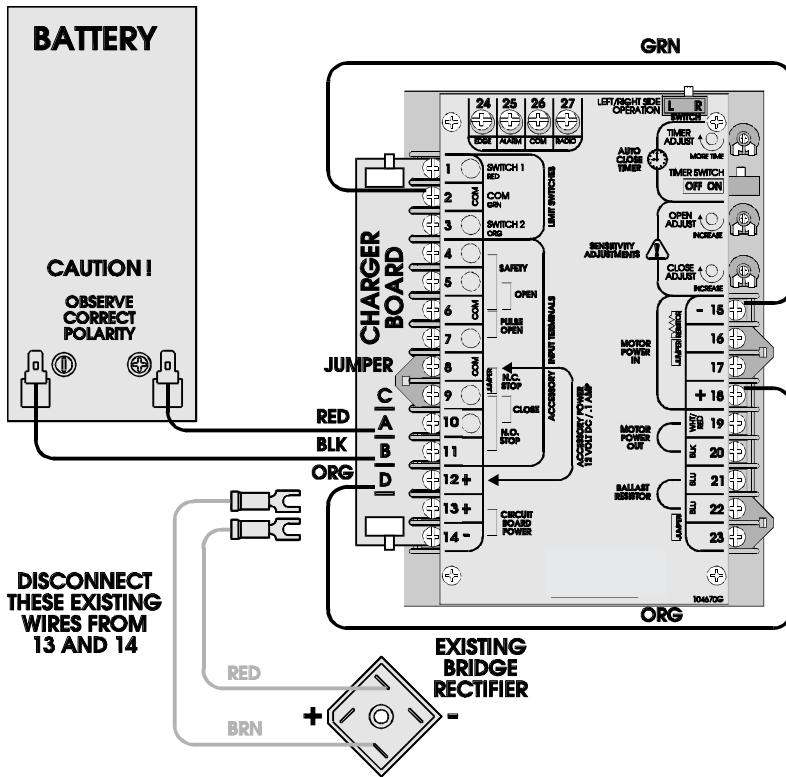
MODE 2 ↔ MODE 1

LEFT ↔ RIGHT



## BATTERY BACK-UP

2



○ If the gate operator is already factory equipped with battery run, only the Right/Left Side switch and the Mode switch need to be set. The Right/Left switch simply needs to be set in the same position as the Right/Left switch on the main control board. (See page 17 for correctly setting the Right/Left switch on the control board) The Mode switch can be set in either the Mode 1 or Mode 2 position. This choice between Mode 1 or Mode 2 depends on how the installer or end user would like the gate to behave when power is lost.

○ **Mode 1:** Gate will continue to operate when power is lost. When battery power gets low, the gate will open and stay open until power is restored. (Fail Secure)

○ **Mode 2:** Gate will open immediately when power is lost and remain open until power is restored. (Fail Safe)

○ If the gate operator did not come from the factory equipped with battery run, field installation of battery run is very simple. The illustration at left shows additional wiring required for battery run that is not part of the standard wiring.

○ First turn power off to the gate operator.

○ Disconnect the brown and red wires from terminals 13 and 14 and insulate the ends of the wires.

○ Secure the charger board to the main control board by attaching to the 14 screw terminals on the left side of the control board.

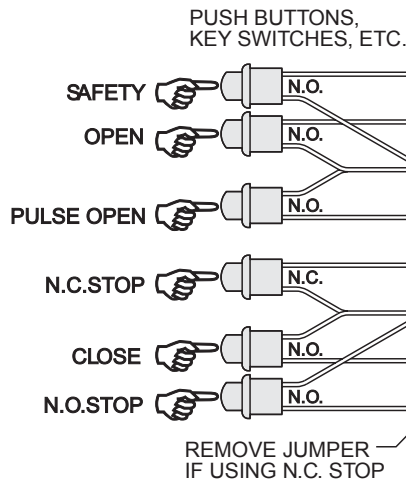
○ Connect a green wire from terminal 2 to terminal 15 of the control board.

○ Attach an orange wire from terminal D of the charger board to terminal 18 of the main control board.

○ Finally, attach a red wire from terminal A to battery positive and a black wire from terminal B to battery negative.

○ **OPEN INPUT:** Any device that is used to open the gate from a closed position is an open input device. The device used must provide normally open contacts. These normally open contacts are connected to terminals 5 and 6. These open input terminals will cause the gate operator to open and/or close if the timer switch is in the OFF position. If the timer switch is in the ON position, these open input terminals will cause the gate operator to open and will hold the gate open until the input is released and the auto close time has elapsed.

○ **CLOSE INPUT:** Any device that is used to close the gate is a close input device. The device used must provide normally open contacts. These normally open contacts are connected to terminals 9 and 10. These close input terminals will cause the gate operator to close the gate any time the gate is in a non-closed position and can be used to override the timer and close the gate prematurely.



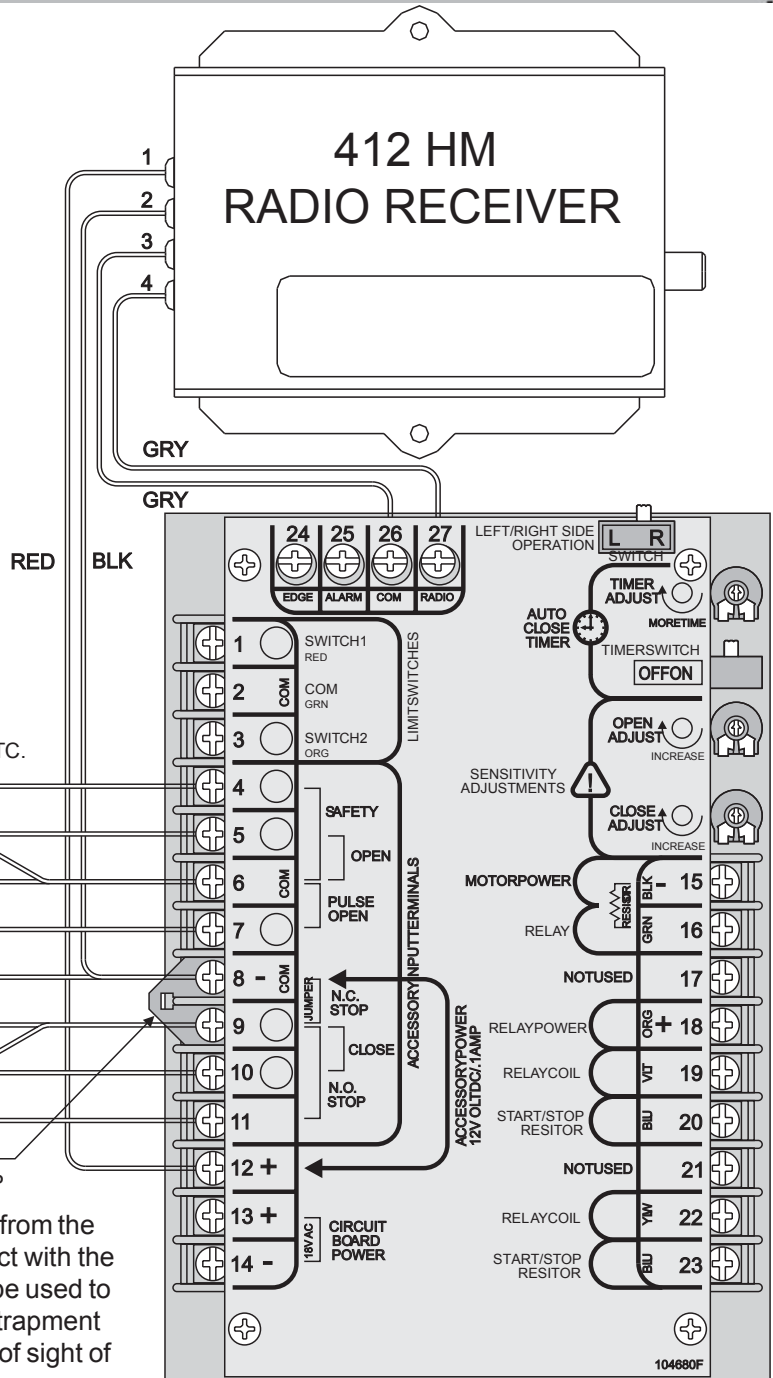
○ **SAFETY NOTES:** Controls must be far enough from the gate so that the user is prevented from coming in contact with the gate while operating the controls. Controls intended to be used to reset an operator after 2 sequential activations of the entrapment protection device or devices must be located in the line of sight of the gate. Outdoor or easily accessible controls shall have a security feature to prevent unauthorized use.

○ **N.C. STOP INPUT:** Any device that is used to stop the gate operator while it is running in the open or closed direction is a stop input device. These stop input devices must provide normally closed contacts. To connect these normally closed contacts, remove the stop jumper from terminals 8 and 9 and then connect the contacts to these same terminals 8 and 9.

○ **N.O. STOP INPUT:** This input functions identical to N.C. Stop with the exception that it requires normally open contacts. These contacts are connected to terminals 9 and 11.

○ **SAFETY INPUT:** Any device that is used to open and/or hold open the gate while the gate is in a non-closed position is a safety input device. The safety input device must provide normally open contacts. These contacts are connected to terminals 4 and 6. This function is especially useful when the auto close timer is being used in preventing the gate from accidentally closing on a vehicle.

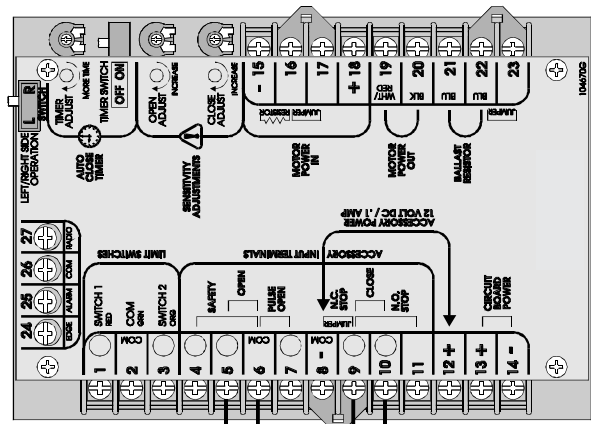
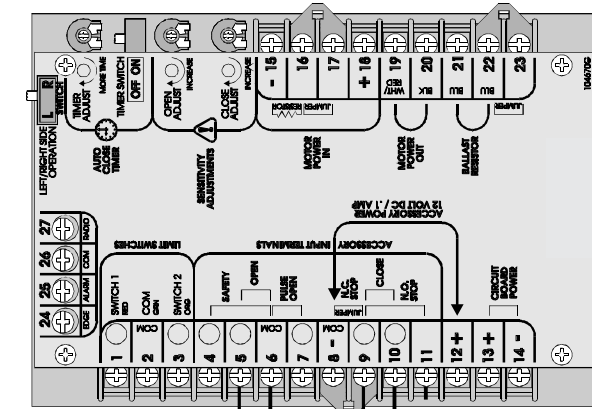
○ **PULSE OPEN INPUT:** This input functions similarly to the standard open input with the exception that it will not hold the gate open if the input remains present. This feature will add additional security to the gate operator system in the event that there is a device that is stuck on. Pulse open is found at terminals 6 and 7.



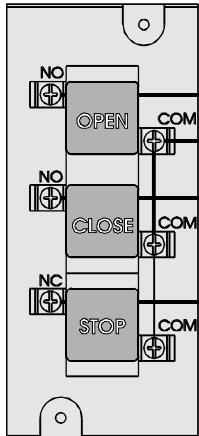
## Wiring Diagrams, Button Controls

- One button, two button and three button controls may be connected individually or together as shown below. Most button controls have a common "buss bar" which connects the common terminals of all buttons together so that only one common wire needs to be run back to the gate operator control board. If this is not the case, the common terminals of each button may be connected together with wire.
- Connect the common terminal or terminals (COM) of the push button control to the Common (terminal 6) on the gate operator control board. Connect the Open button NO terminal of the push button control to Open (terminal 5) on the gate operator control

- board. Connect the Close button NO terminal of the push button control to Close (terminal 10) on the gate operator control board. If the stop button has normally closed contacts, connect the Stop button NC terminal to Stop (terminal 9) and remove the stop jumper that is on terminals 8 & 9. If the stop button has normally open contacts, connect the Stop button terminal NO to the NO Stop (terminal 11) on the gate operator control board.
- If more than one push button control is used on one gate operator, connect wires from the Open, Close and Common in parallel to the control board. If the stop button has normally closed, contacts connect the stop buttons in series to the control board. If the stop buttons have normally open contacts, connect the stop buttons in parallel to NO Stop (terminal 11) on the control board.

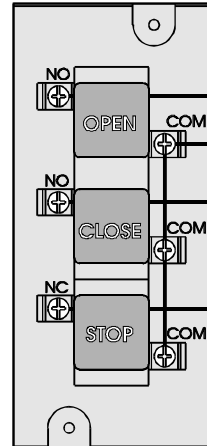


3 BUTTON CONTROL



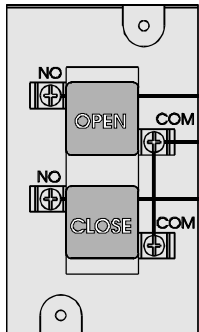
STOP JUMPER  
NOTE: REMOVE STOP JUMPER ONLY IF THE STOP BUTTON HAS NORMALLY CLOSED CONTACTS AND CONNECT STOP BUTTONS IN SERIES AS SHOWN AT LEFT.  
IF THE STOP BUTTONS HAVE NORMALLY OPEN CONTACTS, DO NOT REMOVE THE STOP JUMPER AND CONNECT STOP BUTTONS IN PARRALLEL TO TERMINAL 11 (M/S STOP) AND TERMINAL 6 (COMMON)

3 BUTTON CONTROL

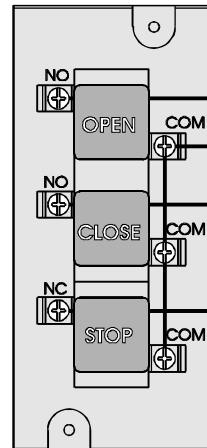


STOP JUMPER  
NOTE: REMOVE STOP JUMPER ONLY IF THE STOP BUTTON HAS NORMALLY CLOSED CONTACTS AND CONNECT STOP BUTTONS IN SERIES AS SHOWN AT LEFT.  
IF THE STOP BUTTONS HAVE NORMALLY OPEN CONTACTS, DO NOT REMOVE THE STOP JUMPER AND CONNECT STOP BUTTONS IN PARRALLEL TO TERMINAL 11 (M/S STOP) AND TERMINAL 6 (COMMON)

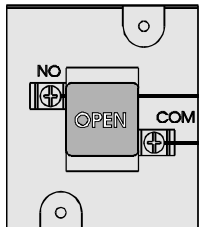
2 BUTTON CONTROL



3 BUTTON CONTROL



1 BUTTON CONTROL







## LEFT SIDE INSTALLATION

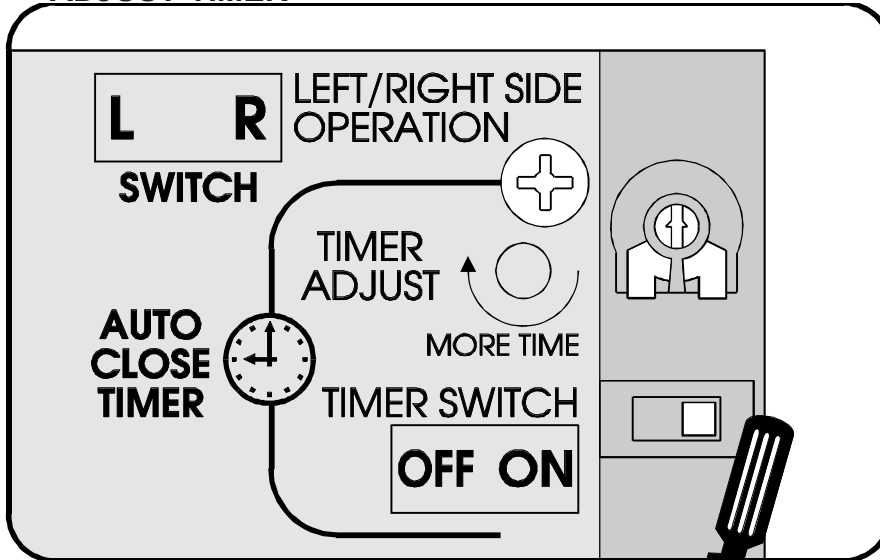
WALL

## RIGHT SIDE INSTALLATION

WALL



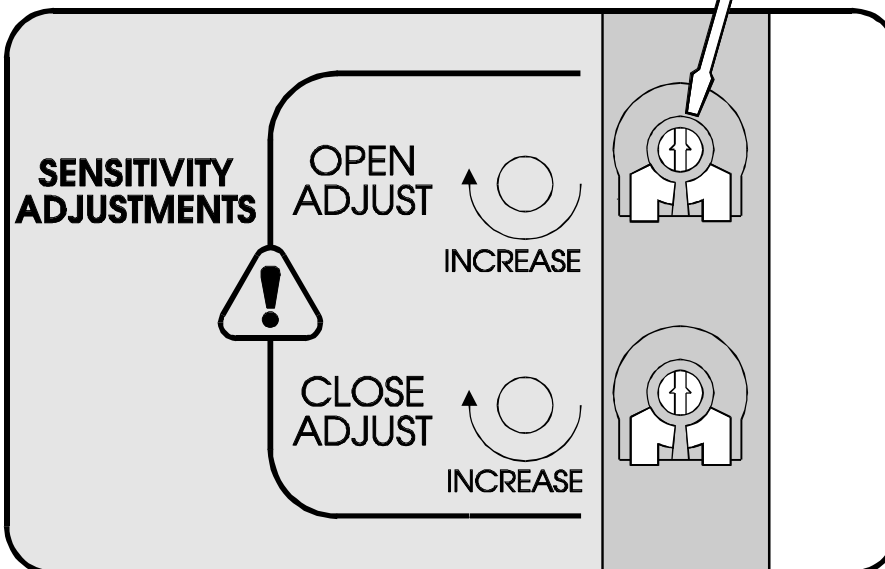
### ADJUST TIMER



○ The gate operator is designed to work differently while opening then while closing to optimize safety, so the direction of the operator will need to be set. Setting the operator direction is done by flipping the right/left side switch located at the top of the circuit board. For a left side installation flip the switch to the left and for a right side installation, flip the switch to the right (see illustration above).

○ If it is desirable to have the gate close automatically after the gate has opened, flip the auto close timer switch to the ON position. Adjust the amount of time the gate stays open by turning the timer adjustment pot counter clockwise for less time or clockwise for more time. The range is roughly 0~45 seconds.

### ADJUST SENSITIVITY



○ For protection of the over all system there are two "sensitivity" adjustments on the circuit board for the open and close directions. Turning the pots clockwise "increase" will cause the gate to stop or reverse more easily if there is an obstruction preventing the gate from moving. Turning the pots counter-clockwise "decrease" will cause the gate to push harder before it stops or reverses. If adjusted properly, the sensitivity will cause the gate to reverse if the gate meets an obstruction. Additionally, if the gate again meets an obstruction before reaching a limit, the gate will stop, remain stopped, and will sound an alarm until reset with an open input at terminal 5. If no reset is given, the alarm will sound for approximately 5 minutes. If adjusted too sensitive the gate may stop or reverse under it's own weight, without being obstructed and the sensitivity will need to be slightly decreased. Temperature, wind, and other environmental factors may also effect the sensitivity, so the setting should be made with these factors in mind. Before finalizing an installation always test the sensitivity by applying pressure against the gate while it is moving to make sure it will stop or reverse.

### NOTE:

Counter-Clockwise makes gate push harder.  
Clockwise makes gate easier to stop.



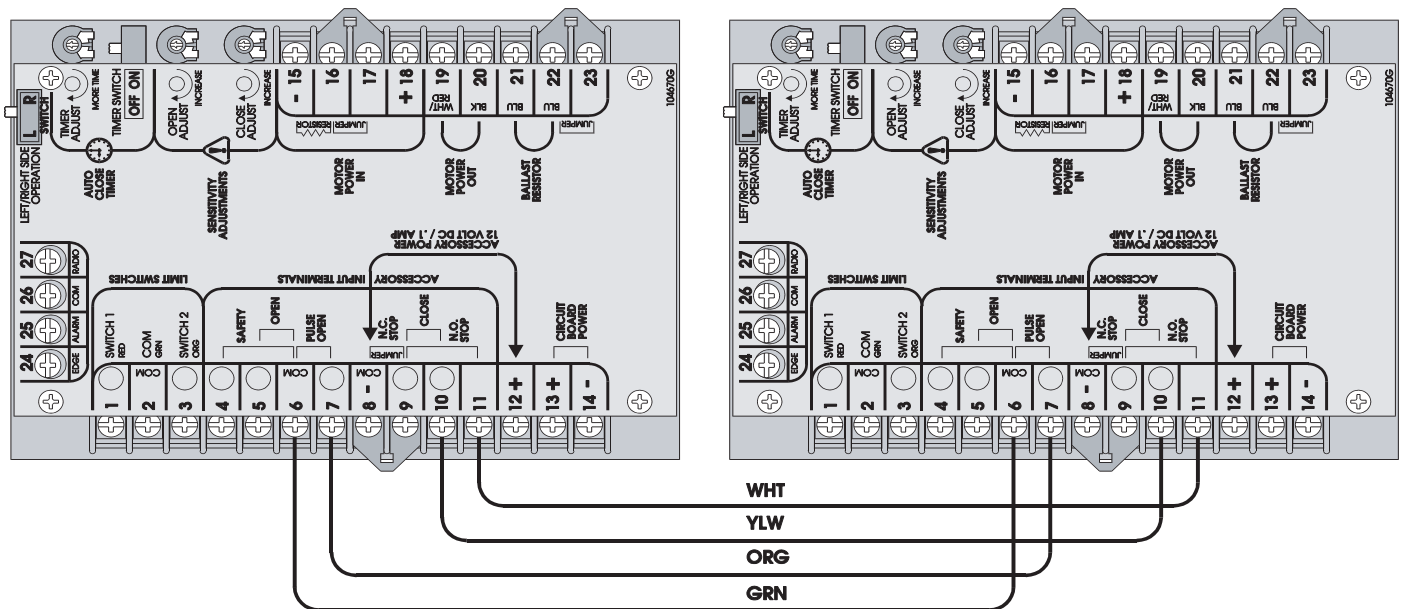
# Master/Second Wiring

## SL920 MASTER/SECOND

- Connect 115 Volts AC to each SL920 gate operator. Connect the four Master/Second wires from the master circuit board to the Second circuit board as shown below. Any operator can be used as either a master or a Second. Accessories can be connected to the master or second operator.
- Switch the Auto Close Timer switch to the OFF position on the Second circuit board. The Auto Close Timer switch on the master circuit board may be switched either ON if the timer function will be used or OFF if the timer function will not be used but the Second timer must always be switched OFF.
- If the chain is wrapped around the sprockets in the same manner on each operator (both chains under or both chains over the drive sprocket) set the Right/Left Side Operation switch on the master circuit board to be the opposite of the way it is set on the Second circuit board. If the chain wrapped around the drive sprocket on the master operator is the opposite of the way it is wrapped around on the Second operator then set the Right/Left Side Operation switches the same on both operators. The Right/Left Side operation switch is located on the circuit board. If the operators are working backwards, the Right/Left Side Operation switches on both operators must be switched. The simplest way to know if the operators are working backwards is to turn the Auto Close Timer switch on the master circuit board to ON and see whether the timer works when the gate is open or closed. The timer should work only when the gate is open. Another way to know if the operators are working backwards is to try the gate sensitivity by applying pressure against the gate while the gate is opening or closing. If pressure is applied while the gate is opening it should stop. If pressure is applied while the gate is closing it should reverse and go open. If the gate responds to pressure in a way that is opposite of this then switch the Right/Left Side Operation switch on both operators.

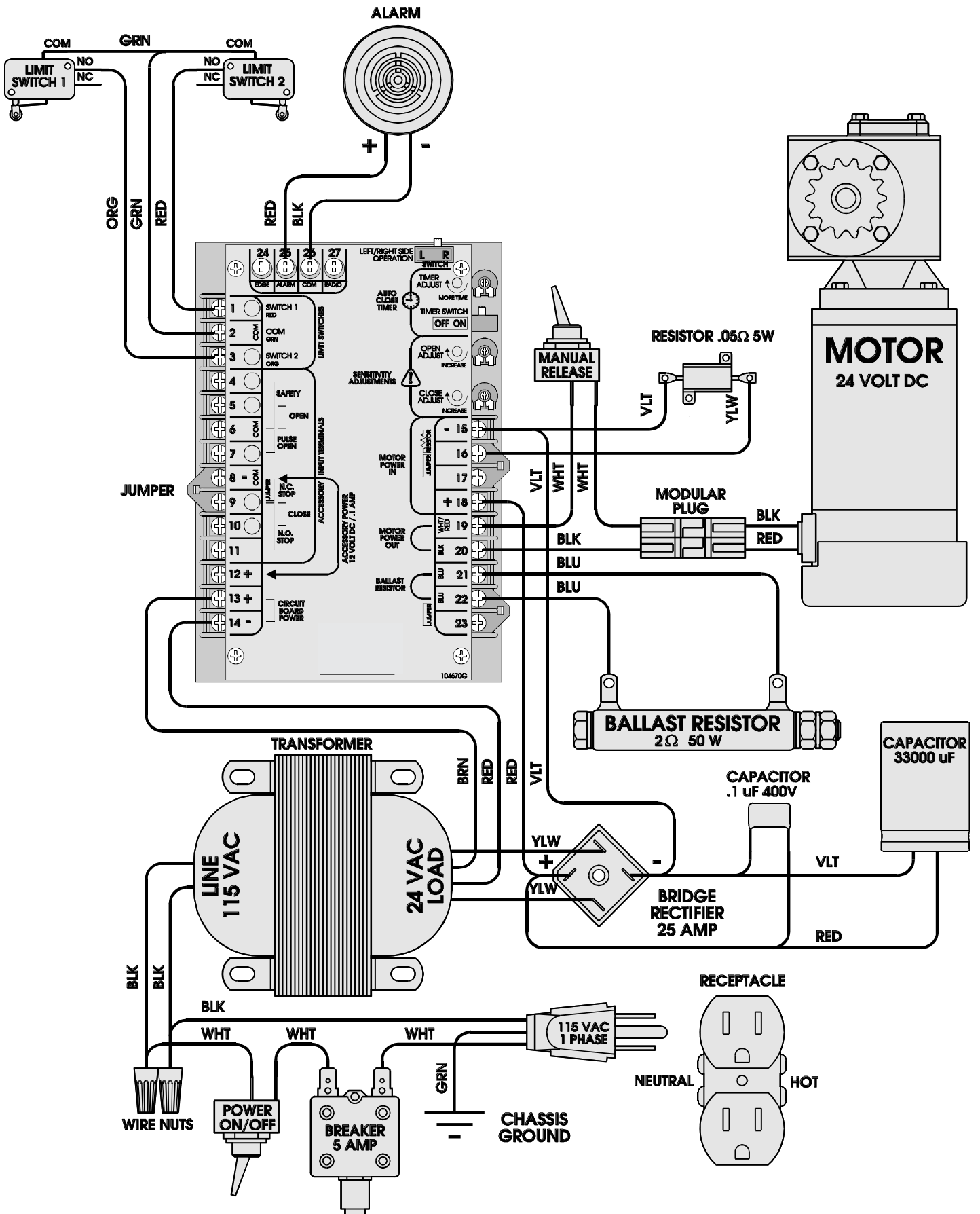
### MASTER

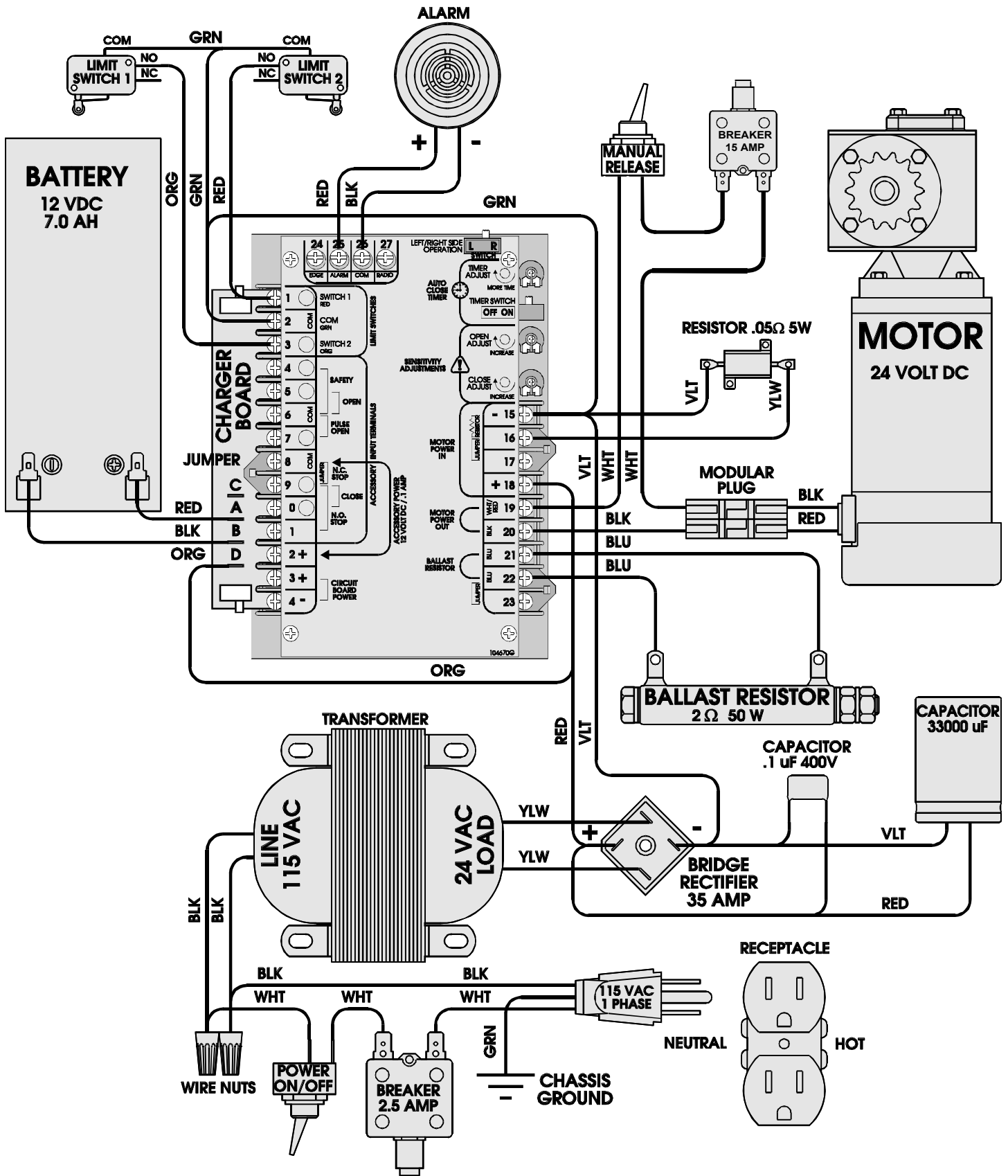
### SECOND



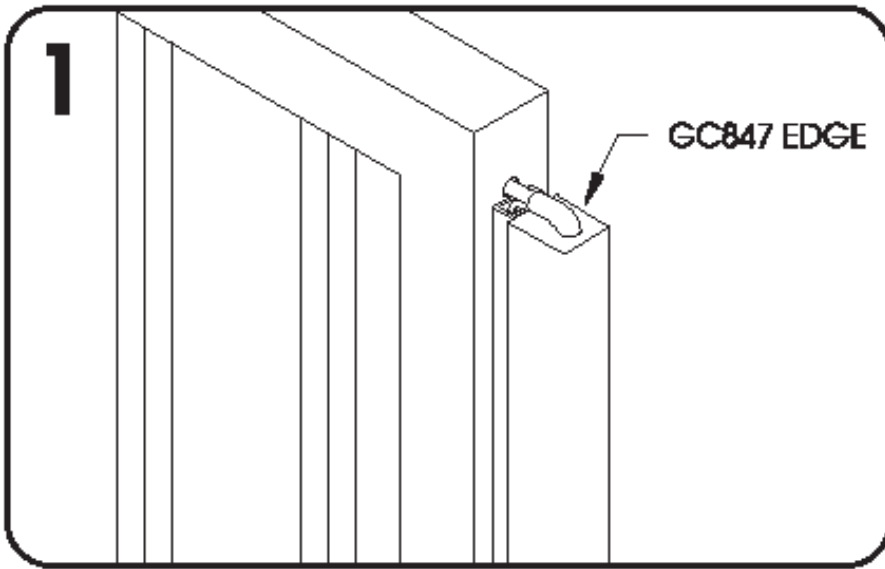
# Wiring Diagram

SL920 WITH FULL SYSTEMS CAPABILITY



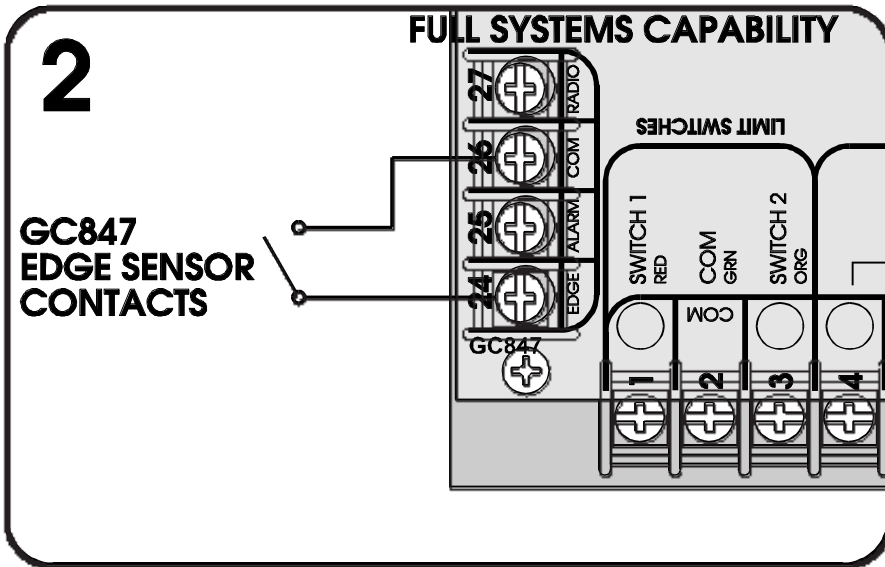


# Safety Edge and Warning Placard Installation

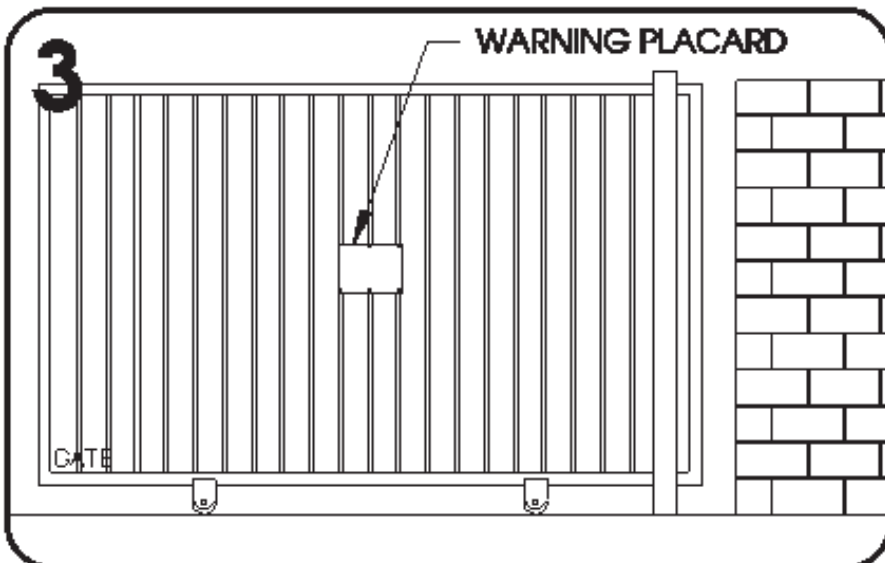


○ See reversing edge sensor instructions for the exact placement of the reversing edge contact sensors.

○ One or more safety edge contact sensors shall be located at the leading edge, trailing edge, and post mounted both inside and outside of a vehicular horizontal slide gate. When the contact sensor is hard wired, it shall be located and its wiring arranged so that the communication between the sensor and the gate operator is not subjected to mechanical damage.



○ With full systems capability control boards, the edge sensor is connected to terminals 24 and 26 as shown at left in figure 2.

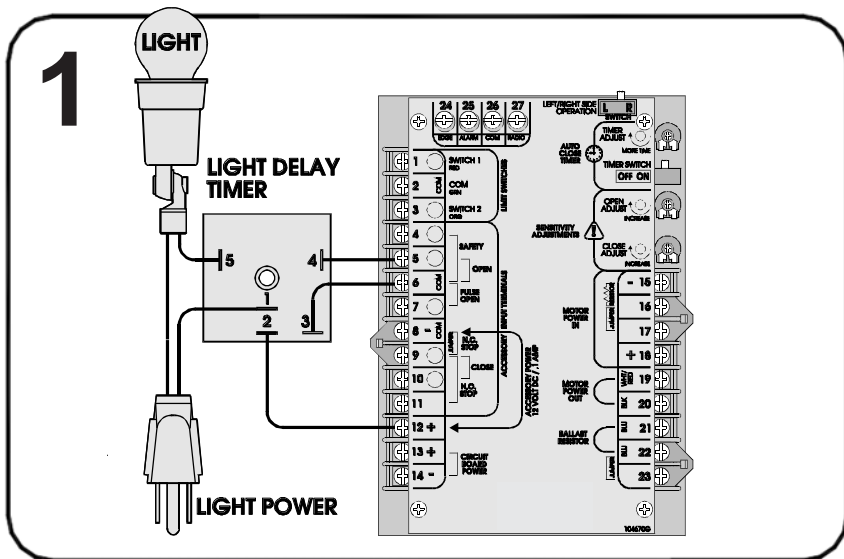


○ The gate operator is provided with two safety warning placards. The placards are to be installed on each side of the gate where they are plainly visible. The placards may be mounted using sheet metal screws through the six holes provided on each placard.

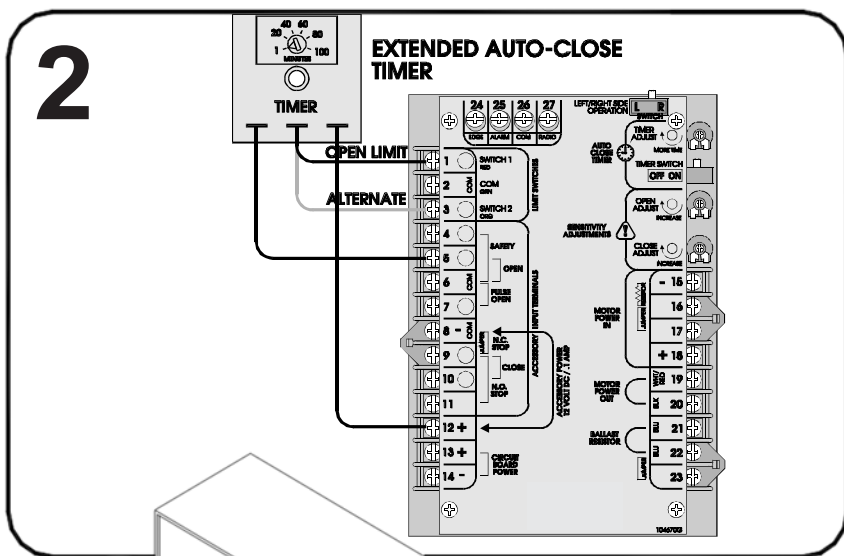
○ All warning signs and placards must be installed where visible in the area of the gate.



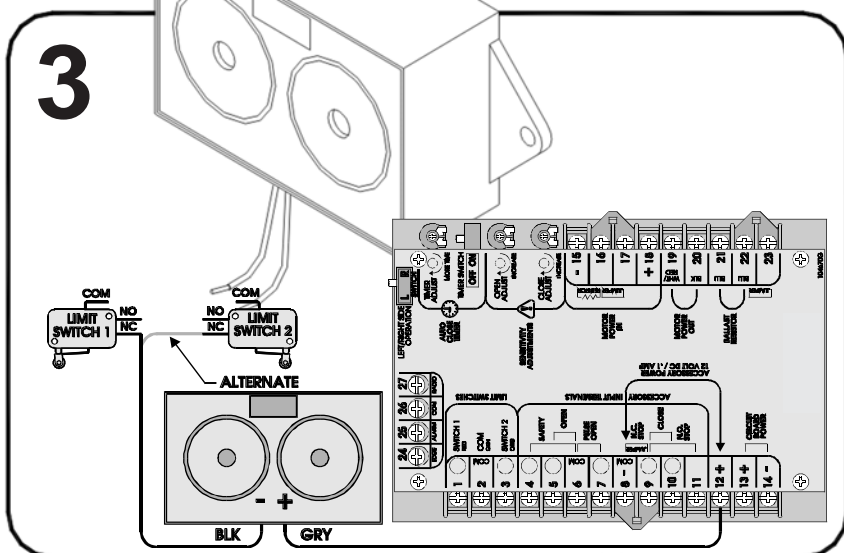
# Options



○ If it is desired that the driveway illuminate when the gate is activated, a light delay timer may be installed. The light delay timer will switch power on to the light for two minutes, then shut power back off. The timer relay is capable of switching up to 10 Amps which will handle most flood or spot lights available. A general hook-up diagram for the light and timer is shown at left.



○ The standard auto close timer built into the circuit board can be adjusted to between 0 and 45 seconds. Some installations may require that the gate must stay open for more than 45 seconds before it automatically closes. The extended auto close timer may be hooked up as shown at left. This optional timer can be adjusted to automatically close the gate after the gate has been open between 1 and 100 minutes. The extended timer will add time onto the auto close timer already on the board. For more control, reduce the timer adjustment on the main control board to zero seconds and make all adjustments with the extended auto close timer knob.



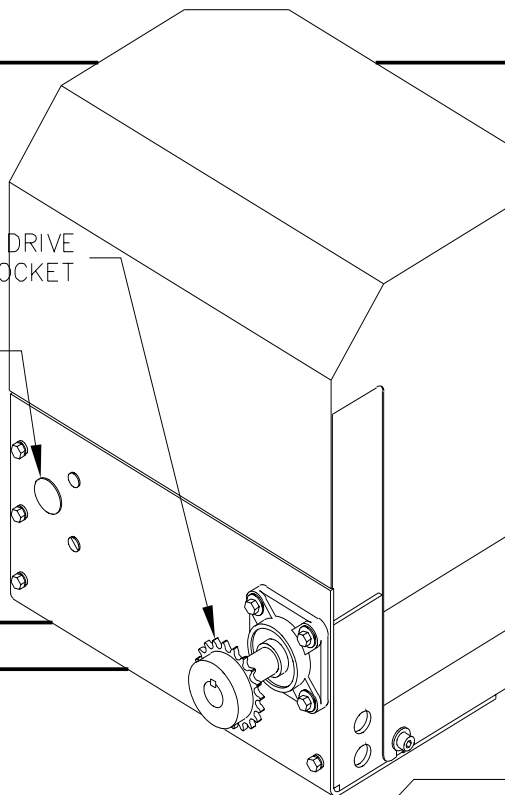
○ For added safety, a warning alarm may be installed in the gate operator to give audible warning that the gate is in motion. This will in some cases give extra time to get out of the way of the moving gate. The warning alarm is an ear piercing 120 decibel, dual tone, piezo siren that operates on 12 Volt DC. To install the alarm, mount the siren next to the circuit board and connect the positive wire to terminal 12 (12VDC). Connect the negative wire to limit switch 1 NC or limit switch 2 NC for the alarm to sound in the open or closed directions. Contact the manufacturer for connecting the alarm to sound in both directions. If the alarm is too loud, the sound may be partially muffled by applying tape over the two holes where the sound comes out.



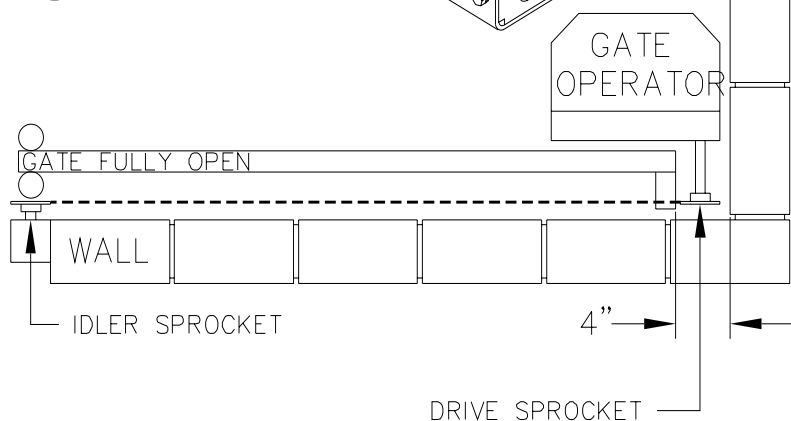
## Options

# 4

EXTERNAL DRIVE SPROCKET  
ALTERNATE LOCATION



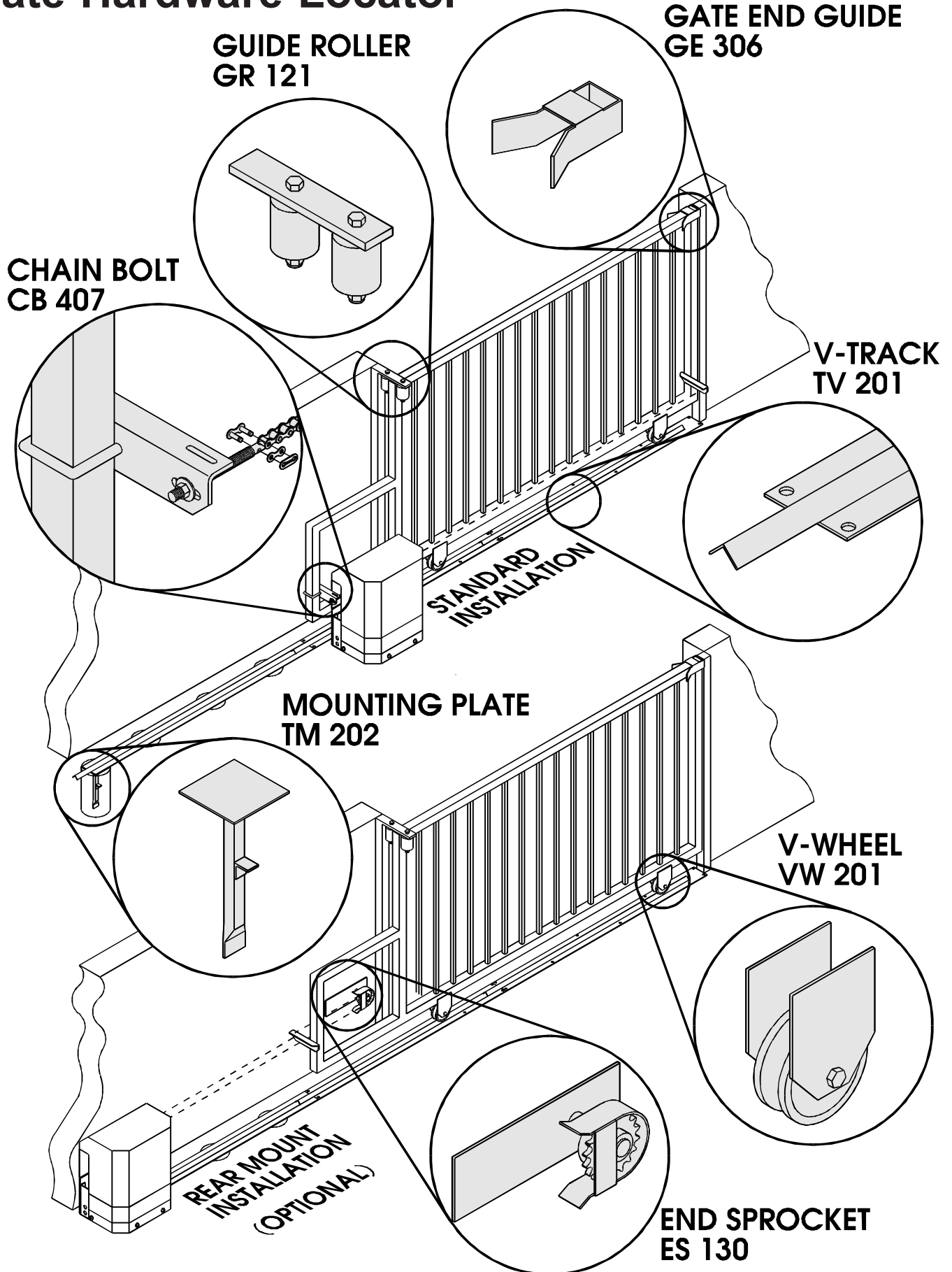
# 5



○ For rear mount installation that are limited on space for the gate to slide back into, the space saver version is an excellent alternative. There may be a property wall, parking stall or other obstacle that reduces the amount of space available, making it difficult to mount the gate operator and still have room for the gate to slide. The space saver version of the gate operator places the drive shaft externally so that the gate can slide past the gate operator, picking up allot of extra space. The external drive shaft can be specified to be placed on either side of the operator for left or right side installations or can be easily converted in the field.

○ Installation of the space saver version is very much like the rear mount installation of the standard gate operator. The chain makes a continuous loop going around the drive sprocket on the operator and around the idler sprocket on the post or wall. For the case of the space saver, the external drive sprocket allows the gate to slide past the operator, making installation possible where there is only 4 inches of space left over after the gate is open (see illustration at left).

# Gate Hardware Locator







## Maintenance and Safety



The SL920 is designed to be MAINTENANCE FREE. However, for optimum performance and safety, the following maintenance procedures should be taken.

### ○ Gate Sensitivity Adjustments

The most important thing to maintain on any gate is the safety equipment. As the gate becomes older the amount of force necessary to move the gate will vary. When this happens, the gate sensitivity adjustments may need to be readjusted. Check to see whether the sensitivity may need adjustment at least once a month. Actuate the gate a few times and observe the amount of force that is needed to stop or reverse the gate in both directions. This can be done very easily by standing beside the gate and applying pressure with your hands against the gate while it is moving. **Do not stand directly in the path of the gate while doing this experiment.** The gate should stop or reverse relatively easy. If it does not stop or reverse easily or does not stop or reverse at all, make adjustments as shown on page 17 of Fine Tuning.

### ○ Control Devices

From time to time check to see whether all of the control devices that are connected to the operator are functioning. This is especially important of anything that was installed in regards to safety.

### ○ Gate

Having a well maintained gate will ensure that the operator runs smoothly and safely. Occasionally inspect the chain to see whether it is well lubricated and oil the chain if necessary. Use CHAIN AND CABLE LUBE for best results (Available from the manufacturer). Check the wheels and grease them if needed. Check the guide rollers and spray oil on their bearings. Check whether the gate appears to be operating at normal speed to determine if the gate operator may be working harder than usual to overcome friction from damaged bearings.

# WARNING

## IMPORTANT SAFETY INSTRUCTIONS

**WARNING - To reduce the risk of injury or death:**

- 1) READ AND FOLLOW ALL INSTRUCTIONS
- 2) Never let children operate or play with gate controls. Keep the remote control away from children.
- 3) Always keep people and objects away from the gate. **NO ONE SHOULD CROSS THE PATH OF THE MOVING GATE.**
- 4) Test the gate operator monthly. The gate **MUST** reverse on contact with a rigid object or stop when an object activates the non-contact sensors. After adjusting the force or the limit of travel, retest the gate operator. Failure to adjust and retest the gate operator properly can increase the risk of injury or death.
- 5) Use the emergency release only when the gate is not moving.
- 6) **KEEP GATES PROPERLY MAINTAINED.** Read the owner's manual. Have a qualified service person make repairs to gate hardware.
- 7) The entrance is for vehicles only. Pedestrians must use separate entrance.
- 8) **SAVE THESE INSTRUCTIONS.**



## ○ EXPLANATION OF VISUAL FEEDBACK LEDs

The SL920 Full Systems Capability circuit board has been equipped with Visual Feedback LEDs to simplify installation and troubleshooting. These are small lights which are located directly beside the input terminals. These LEDs give visual information to the installer or service technician indicating what commands are going into the circuit board from devices such as limit switches or from peripheral devices such as radio receivers or safety loops. There are also two LEDs which show output to the motor for both the opening and closing directions.

### INPUT:

**Limit Switch 1:** This LED indicates that one of the normally open limit switches is pressed in and the gate is in the open position.

**Limit Switch 2:** This LED indicates that one of the normally open limit switches is pressed in and the gate is in the closed position.

**Safety:** This LED indicates that there is a closed contact between safety input terminal 4 and common.

**Open:** This LED indicates that there is a closed contact between open input terminal 5 and common.

**Pulse Open:** This LED indicates that there is a closed contact between Pulse Open input terminal 7 and common.

**Stop:** This LED indicates that there is a closed contact between stop input terminal 9 and common. Under normal operating conditions this LED must be in the on condition in order for the system to function.

**Close:** This LED indicates that there is a closed contact between close input terminal 10 and common.

## ○ TRANSMITTER DOES NOT WORK

① Check the battery inside of the transmitter and/or try another transmitter. ② Check to see which LEDs are illuminated on the circuit board. For normal operating conditions the only LEDs that should be illuminated are the stop input at terminal 9 and Limit Switch 1 input if the gate is in the fully open position or Limit Switch 2 input if the gate is in the fully closed position. ③ If any of the input LEDs are illuminated on terminals 4, 5, 7 or 10, disconnect wires from that input terminal that is illuminated until the LED is extinguished to determine which input device may be stuck in an on condition. ④ If it is the radio receiver that appears to be stuck in an on condition, check all transmitters to see if any of them are stuck on. ⑤ Make sure that there is power (10 to 16 VDC) to the receiver on terminals 8 and 12 and make sure that the circuit breaker button is pressed in. ⑥ If a click is heard while the transmitter is being pressed and there is no response from the operator, check all receiver connections. (See page 15.) ⑦ If there is still no response, see GATE WILL NOT OPEN OR CLOSE on next page.

## ○ GATE TRAVELS TOO FAR OR NOT FAR ENOUGH

① Adjust the gate sensitivity (See page 17). If the gate sensitivity adjustment is too sensitive, the gate may stop in mid-travel. ② It may be necessary to lubricate any mechanical parts on the gate including wheels and rollers and clean the track of any debris. ③ Check the limit switch input LEDs on terminals 1 and 3 to see if either one is illuminated. If one of the limit switch input LEDs is illuminated and the gate has traveled too far or not far enough, this indicates that the limits of travel may need adjustment. Adjust the limits of travel (See page 11). This adjustment may change slightly as the chain stretches due to normal wear and it may change dramatically if the chain has been retightened or the limit plate is accidentally left not engaged with the limit nuts. ④ If the limit nut has traveled past a limit switch, check the limit switch and all limit switch connections. (See page 19 or 20). ⑤ Watch the stop input LED on terminal 9 while the gate operator is running and see if the LED flickers or extinguishes. This may indicate a faulty stop input device or a poor connection between the stop input terminal 9 and common. ⑥ If the stop input LED on terminal 9 flickers or extinguishes check all connections to the stop input device and/or replace faulty device.

## ○ GATE BEGINS TO OPEN OR CLOSE, THEN STOPS OR REVERSES

① Adjust the gate sensitivity (See page 17). If the gate sensitivity adjustment is too sensitive, the gate may stop in mid-travel or reverse. ② It may be necessary to lubricate any mechanical parts on the gate including wheels and rollers and clean the track of any debris. ③ Watch the input LEDs on terminals 4, 5, 7 and 10 while the gate operator is running to see if any of the LEDs flicker or illuminate. ④ If there is an input LED that flickers or illuminates while the gate is running, disconnect the wires one at a time from that input terminal until the LED does not flicker or illuminate to determine which input device may be activating. ⑤ If it is the radio receiver that appears to be stuck in the on condition, check all transmitters to see if any of them may be stuck on. A stuck transmitter may cause the gate operator to reverse.

## ○ GATE WILL NOT OPEN OR CLOSE

Test the operator to find out whether the open input devices are functioning by following these steps. ❶ If a remote control is being used to open the gate, try another remote control or try using a push button if there is one installed. ❷ If a push button is being used try using another push button or a remote control. ❸ If there is no push button installed the gate may be operated by connecting a jumper wire to terminal 8 and momentarily touching it to terminal 5 or 7. ❹ If the remote controls are not working, see TRANSMITTER DOES NOT WORK on the previous page. ❺ Check the manual release switch to make sure it is in the operate (up) position. ❻ Check to see which LEDs are illuminated on the circuit board. For normal operating conditions the only LEDs that should be illuminated are the stop input at terminal 9 and Limit Switch 1 input if the gate is in the fully open position or Limit Switch 2 input if the gate is in the fully closed position. ❼ If any of the input LEDs are illuminated on terminals 4, 5, 7 or 10, disconnect wires from that input terminal that is illuminated until the LED is extinguished to determine which input device may be stuck. ❽ If the stop input LED on terminal 9 is not illuminated, check the stop input device if any are installed and all connections to the device. If no stop input device is installed make sure that there is a jumper between terminals 8 and 9 and that it is securely fastened. ❾ Check the circuit breaker button. If the circuit breaker is tripped, press it back in. ❿ Make sure there is power to the circuit board on terminals 13 and 14.

## ○ THE GATE WILL NOT STOP OR REVERSE WHEN IT MEETS AN OBSTRUCTION

❶ Adjust the gate sensitivity. The operator needs to be adjusted for more sensitivity. This is done by turning the open and close gate sensitivity adjustments clockwise for more sensitivity. (See page 17).

## ○ GATE WILL NOT STAY CLOSED

❶ Make sure that the Right/Left Side operation switch is in the correct position (See page 17). If the Right/Left Side operation switch is in the incorrect position, the auto close timer feature may be working in reverse and telling the gate operator to open after the auto close time has elapsed. ❷ Check to see if any input LEDs on terminals 4, 5 or 7 flicker or illuminate when the gate gets to the closed position. ❸ If any of the input LEDs flicker or illuminate on terminals 4, 5, or 7, disconnect wires from that input terminal that is illuminated until the LED is extinguished to determine which input device may be activating.

## ○ TIMER WILL NOT CLOSE THE GATE

❶ Make sure that the Right/Left Side operation switch is in the correct position (See page 17). If the Right/Left Side operation switch is in the incorrect position, the auto close timer feature may be working in reverse and telling the gate operator to open instead of close after the auto close time has elapsed. ❷ Make sure the auto close timer switch is in the ON position (See page 17). The auto close timer switch is located on the right edge of the circuit board. ❸ Adjust the amount of auto close time (See page 17). The auto close time may be set too high and is simply taking a long time to close. Do not continue pressing the remote control or other open or safety input devices because each time an open or a safety input is given the timer will reset and begin counting over.

## ○ OPERATOR RUNS IN ONLY ONE DIRECTION

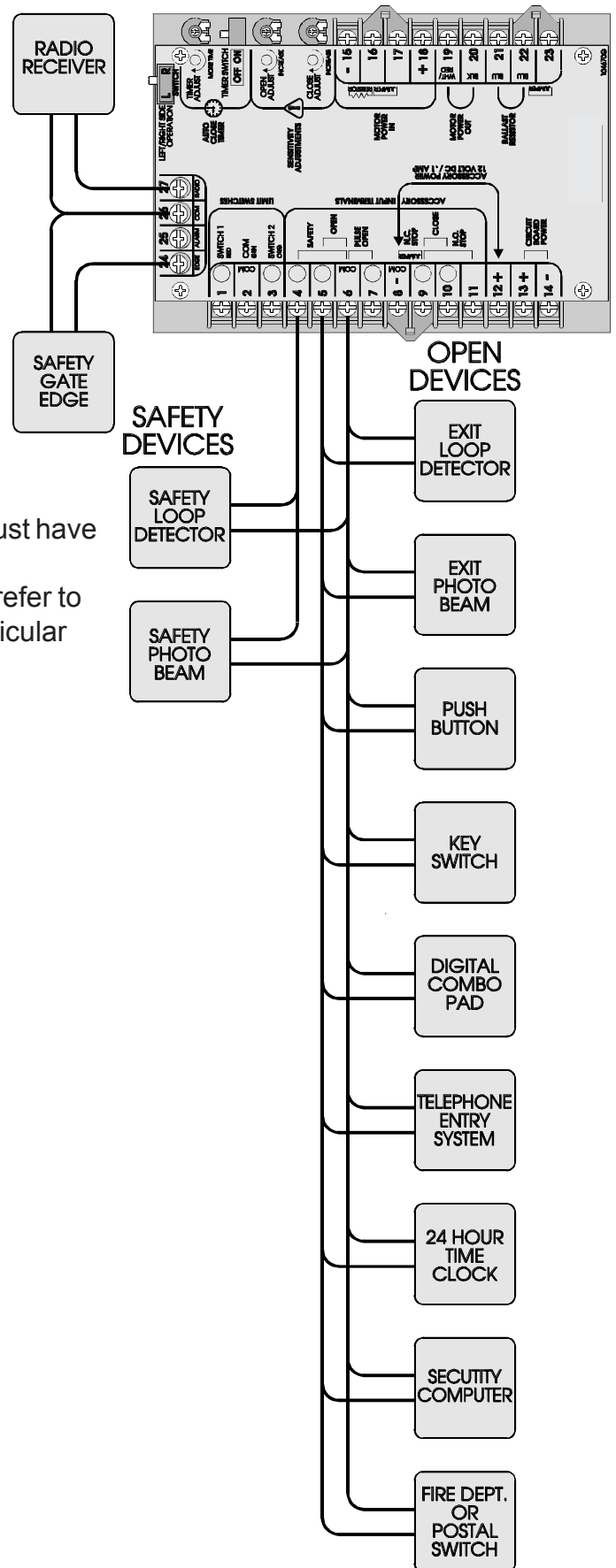
❶ Check to see which LEDs are illuminated on the circuit board. For normal operating conditions the only LEDs that should be illuminated are the stop input at terminal 9 and Limit Switch 1 input if the gate is in the fully open position or Limit Switch 2 input if the gate is in the fully closed position. ❷ If any of the input LEDs are illuminated on terminals 4, 5, 7 or 10, disconnect wires from that input terminal that is illuminated until the LED is extinguished to determine which input device may be stuck.



- Be sure to read this entire manual before attempting to perform any type of installation or service to the gate opener.
- Once the installation has been completed, this installation and service manual becomes the property of the home owner or end user and should be given to the new owner at that time.
- For a personal copy of this manual, please contact a LiftMaster.

**NOTE:**

- All open and safety devices must have normally open contacts.
- For Devices requiring power, refer to the specific diagram for that particular device.



## Notes



- Be sure to read this entire manual before attempting to perform any type of installation or service to the gate opener.
- Once the installation has been completed, this installation and service manual becomes the property of the home owner or end user and should be given to the new owner at that time.
- For a personal copy of this manual, please contact an LiftMaster distributor.





A series of horizontal lines for writing notes, spanning most of the page width.

**HOW TO ORDER REPAIR PARTS**  
**OUR LARGE SERVICE ORGANIZATION SPANS AMERICA**  
**INSTALLATION AND SERVICE INFORMATION**  
**ARE AVAILABLE 6 DAYS A WEEK**  
**CALL OUR TOLL FREE NUMBER - 1-800-528-2806**  
**MONDAY Through FRIDAY 5:00 a.m. TO 6:00 p.m. (MST)**  
**SATURDAY 7:00 a.m. TO 3:30 p.m. (MST)**  
**WWW.LIFTMASTER.COM**

**WHEN ORDERING REPAIR PARTS**  
**PLEASE SUPPLY THE FOLLOWING INFORMATION:**  
***PART NUMBER DESCRIPTION MODEL NUMBER***

**ADDRESS ORDER TO:**  
THE CHAMBERLAIN GROUP, INC.  
TECHNICAL SUPPORT CENTER  
6020 South Country Club Rd  
Tucson, AZ 85706

## **WARNING**

To reduce the risk of injury use  
this operator only with a sliding gate that is  
no larger than 25 ft. in length  
and no heavier than 500 lbs.



## Free Manuals Download Website

<http://myh66.com>

<http://usermanuals.us>

<http://www.somanuals.com>

<http://www.4manuals.cc>

<http://www.manual-lib.com>

<http://www.404manual.com>

<http://www.luxmanual.com>

<http://aubethermostatmanual.com>

Golf course search by state

<http://golfingnear.com>

Email search by domain

<http://emailbydomain.com>

Auto manuals search

<http://auto.somanuals.com>

TV manuals search

<http://tv.somanuals.com>