



# Cisco 12404 Internet Router Unpacking Instructions

---

**Product Number: GSR4-PKG=**

This document gives you instructions for unpacking and repackaging the Cisco 12404 Internet Router. It includes:

- [Tools and Equipment, page 2](#)
- [Unpacking the Cisco 12404 Internet Router, page 3](#)
- [Repackaging the Cisco 12404 Internet Router, page 9](#)
- [Transporting a Cisco 12000 Series Router, page 11](#)
- [Obtaining Documentation, page 11](#)
- [Documentation Feedback, page 13](#)
- [Obtaining Technical Assistance, page 13](#)
- [Obtaining Additional Publications and Information, page 16](#)

The Cisco 12404 Internet Router weighs 103 pounds (46.7 kg) fully configured and 73 pounds (33.1 kg) without line cards. For lifting guidelines, see online documentation *Cisco 12404 Internet Router Installation and Configuration Guide*, Chapter 2, “Lifting Guidelines.”



---

**Corporate Headquarters:**  
Cisco Systems, Inc., 170 West Tasman Drive, San Jose, CA 95134-1706 USA

© 2006 Cisco Systems, Inc. All rights reserved.

Download from [Www.Somanuals.com](http://www.somanuals.com). All Manuals Search And Download.

# Tools and Equipment

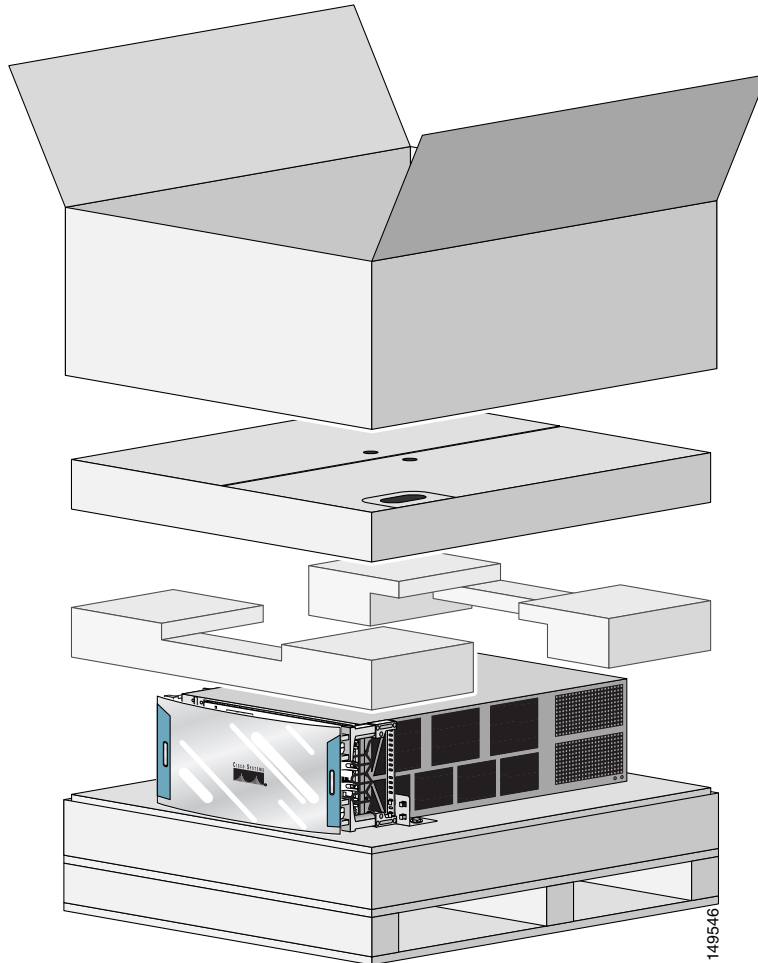
You will need some of the following items and tools.

- 3/16-inch flat-blade screwdriver
- 1/4-inch flat-blade screwdriver
- 9/16-inch (14-mm) wrench
- 10-mm wrench (open-end or socket)
- ESD-preventive strap
- Tape—High performance, pressure sensitive, plastic, carton sealing tape
- Plastic banding
- Antistatic mat
- Wire cutters
- Pliers

# Unpacking the Cisco 12404 Internet Router

This section explains how to unpack the router from the shipping pallet. [Figure 1](#) shows the main packing material and accessory kit container.

**Figure 1** *Unpacking the Cisco 12404 Internet Router (Enhanced model shown)*



After you have unpacked the router, check the contents of the shipping container and verify that the following are included with your shipment.

- One Cisco 12404 Internet router, fully assembled
- Two AC power entry modules (PEMs) installed if ordered as an AC powered unit
- Two DC power distribution units (PDUs) and two DC PEMs installed if ordered as a DC powered unit
- One Accessories kit container

If you do not receive the items you ordered, contact your customer service representative for assistance (see the [“Obtaining Technical Assistance”](#) section on [page 13](#) for additional information).

Use the following procedure to unpack the Cisco 12404 Internet router from the shipping container.

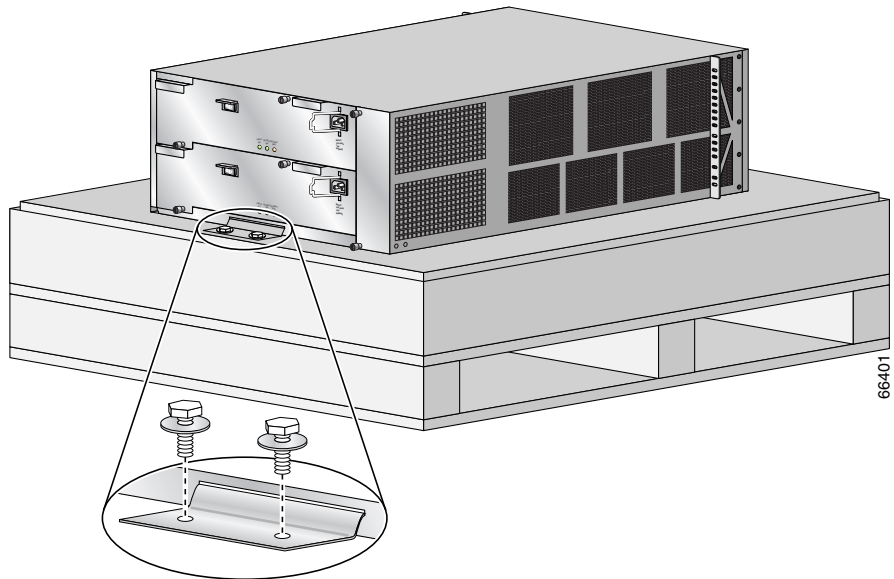
- 
- Step 1** Use the wire cutters to cut the plastic bans that secure the corrugated shipping box to the pallet.
- Step 2** Remove the tape that seals the carton and open the top of the corrugated box.
- Step 3** Use the handles on the accessory kit to remove it from the carton.
- Step 4** Set aside the accessory kit.
- Step 5** Remove the corner cushions and the plastic bag covering the router.
- Step 6** Remove the master shipper and set it aside.

- Step 7** Remove the bolts that secure the bracket to the back of the router ([Figure 2](#)).



**Note** Save the bolts and brackets. You will use them if you need to repack the router.

**Figure 2** *Cisco 12404 Internet Router Secured to Pallet (Rear View)*

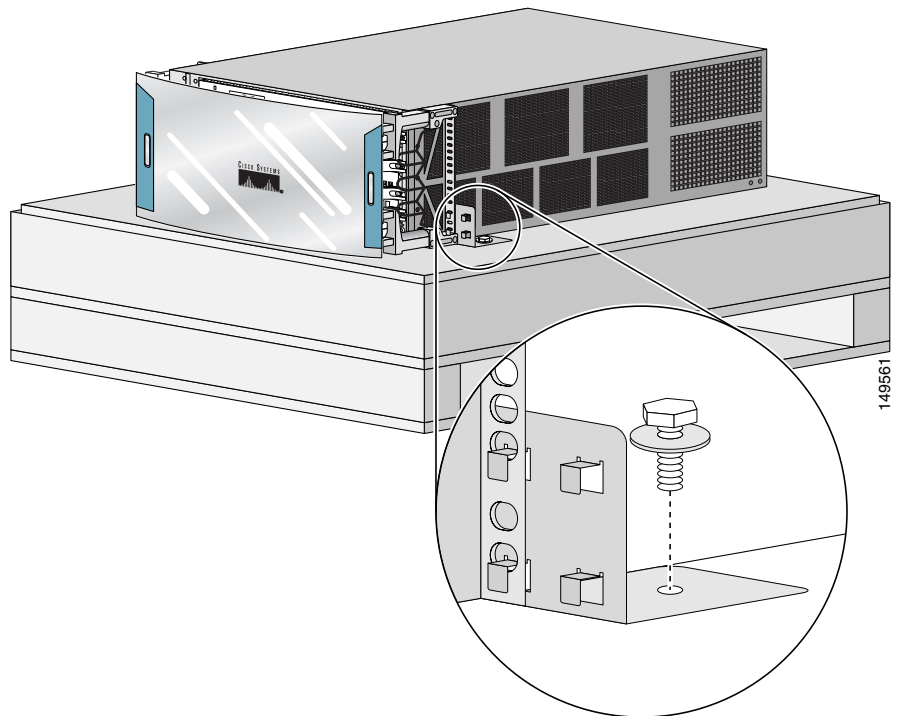


**Step 8** Remove the bolts that secure the brackets to the side of the router ([Figure 3](#)).



**Note** Save the bolt and brackets. You will use them if you need to repackage the router.

**Figure 3** Cisco 12404 Internet Router Secured to Pallet (Front View)



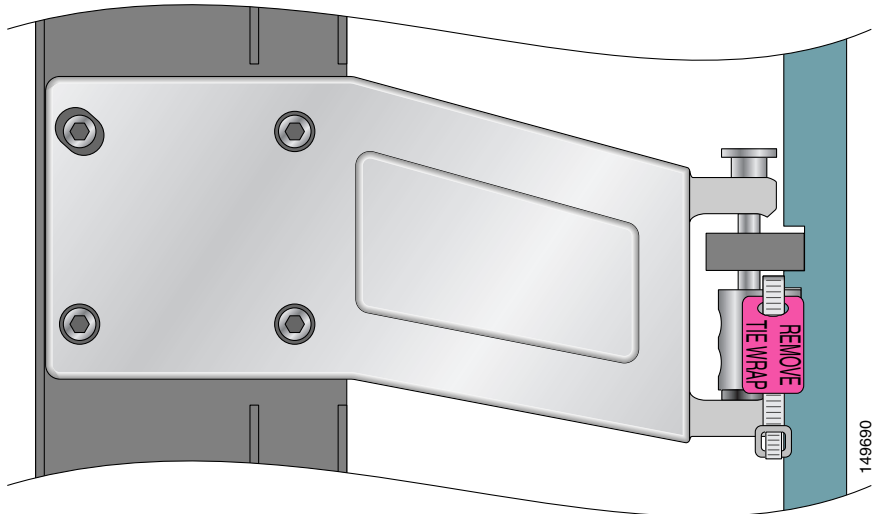
- If you are installing the enhanced version of the 12404 Internet router, go to [Step 9](#). For all other models, go to [Step 11](#).

- Step 9** Cut the plastic tie-wrap and remove it from the upper left hinge bracket (Figure 4).



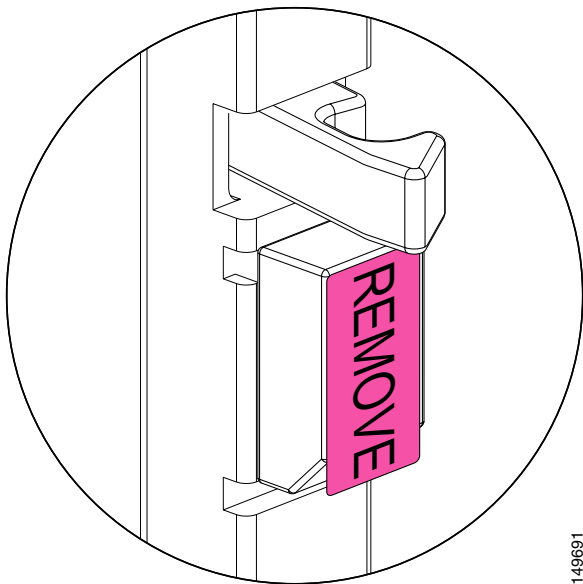
**Note** The plastic tie-wrap secures the front door to the chassis during shipment.

**Figure 4** *Removing the Tie-Wrap and Label*



- Step 10** Open the front door and remove the labels (labeled REMOVE) that protect the rubber bumpers during shipment (Figure 5).
- Close the front door.

**Figure 5** *Removing the Rubber Bumper Shipping Label*



- Step 11** Your Cisco 12404 Internet router is ready for installation. For installation instructions, see the *Cisco 12404 Internet Router Installation and Configuration Guide* online documentation, Chapter 3, “Installing the Cisco 12404 Internet Router” part number 78-13511-xx.



# Repackaging the Cisco 12404 Internet Router

To repackage your Cisco 12404 Internet router for shipment, use these repacking instructions. If packing material is lost or damaged, the Cisco 12404 Internet router packing materials are available as an orderable item. Use Product Number: GSR4-PKG=.

## Tools and Equipment

You need the following items and tools.

- 3/16-inch flat-blade screwdriver
- 1/4-inch flat-blade screwdriver
- 9/16-inch (14-mm) wrench
- 10-mm wrench (open-end or socket)
- ESD-preventive strap
- Antistatic mat
- Wire cutters
- Pliers
- Bolts, screws, carton, and brackets removed when the chassis was unpacked

## Repackaging the Router

Repackaging the Cisco 12404 Internet router into the shipping container is presented in the following procedure. This procedure assumes you have repackaged the accessory kit and have the bolts, screws, carton and brackets removed when the chassis was unpacked.

- 
- Step 1** Place the router on a Cisco 12404 Internet router shipping pallet.
  - Step 2** Secure the side and rear brackets to the pallet with the bolts you saved when the chassis was unpacked (see [Figure 2](#) and [Figure 3](#)).
  - Step 3** Tighten all the captive screws on the power entry modules, power distribution units, and line cards so that they are secure.
  - Step 4** Place the plastic bag cover over the router.
  - Step 5** Refer to [Figure 1](#) and:
    - a. Place the front and rear foam cushions on top of the bagged router.
    - b. Place the accessory kit on top of the router.
    - c. Place the cardboard carton over the accessory kit and router.




---

**Note** If the master shipper tape closure was removed, replace it before you secure the bands to your package.

---

- Step 6** Secure the cardboard carton to the pallet with straps similar to the ones used to ship the router to you.

Your Cisco 12404 Internet router is ready for shipment.

---

# Transporting a Cisco 12000 Series Router

The shipping package for Cisco 12000 series routers is engineered to reduce the potential of product damage associated with routine material handling experienced during shipment. To minimize potential damage to the product, transport these products in their Cisco specified packaging. Failure to do so may result in damage to the router or degradation of its performance. Also, do not remove the router from its shipping container until you are ready to install it. The router should always be transported or stored in an upright position. Keep the router in the shipping container until you have determined where you will install it.

## Obtaining Documentation

Cisco documentation and additional literature are available on Cisco.com. Cisco also provides several ways to obtain technical assistance and other technical resources. These sections explain how to obtain technical information from Cisco Systems.

### Cisco.com

You can access the most current Cisco documentation at this URL:

<http://www.cisco.com/techsupport>

You can access the Cisco website at this URL:

<http://www.cisco.com>

You can access international Cisco websites at this URL:

[http://www.cisco.com/public/countries\\_languages.shtml](http://www.cisco.com/public/countries_languages.shtml)

## Product Documentation DVD

Cisco documentation and additional literature are available in the Product Documentation DVD package, which may have shipped with your product. The Product Documentation DVD is updated regularly and may be more current than printed documentation.

The Product Documentation DVD is a comprehensive library of technical product documentation on portable media. The DVD enables you to access multiple versions of hardware and software installation, configuration, and command guides for Cisco products and to view technical documentation in HTML. With the DVD, you have access to the same documentation that is found on the Cisco website without being connected to the Internet. Certain products also have .pdf versions of the documentation available.

The Product Documentation DVD is available as a single unit or as a subscription. Registered Cisco.com users (Cisco direct customers) can order a Product Documentation DVD (product number DOC-DOCDVD=) from the Ordering tool or Cisco Marketplace.

Cisco Ordering tool:

<http://www.cisco.com/en/US/partner/ordering/>

Cisco Marketplace:

<http://www.cisco.com/go/marketplace/>

## Ordering Documentation

Beginning June 30, 2005, registered Cisco.com users may order Cisco documentation at the Product Documentation Store in the Cisco Marketplace at this URL:

<http://www.cisco.com/go/marketplace/>

Cisco will continue to support documentation orders using the Ordering tool:

- Registered Cisco.com users (Cisco direct customers) can order documentation from the Ordering tool:

<http://www.cisco.com/en/US/partner/ordering/>

- Instructions for ordering documentation using the Ordering tool are at this URL:  
[http://www.cisco.com/univercd/cc/td/doc/es\\_inpk/pdi.htm](http://www.cisco.com/univercd/cc/td/doc/es_inpk/pdi.htm)
- Nonregistered Cisco.com users can order documentation through a local account representative by calling Cisco Systems Corporate Headquarters (California, USA) at 408 526-7208 or, elsewhere in North America, by calling 1 800 553-NETS (6387).

## Documentation Feedback

You can rate and provide feedback about Cisco technical documents by completing the online feedback form that appears with the technical documents on Cisco.com.

You can send comments about Cisco documentation to [bug-doc@cisco.com](mailto:bug-doc@cisco.com).

You can submit comments by using the response card (if present) behind the front cover of your document or by writing to the following address:

Cisco Systems  
Attn: Customer Document Ordering  
170 West Tasman Drive  
San Jose, CA 95134-9883

We appreciate your comments.

## Obtaining Technical Assistance

Cisco Technical Support provides 24-hour-a-day award-winning technical assistance. The Cisco Technical Support & Documentation website on Cisco.com features extensive online support resources. In addition, if you have a valid Cisco service contract, Cisco Technical Assistance Center (TAC) engineers provide telephone support. If you do not have a valid Cisco service contract, contact your reseller.

## Cisco Technical Support & Documentation Website

The Cisco Technical Support & Documentation website provides online documents and tools for troubleshooting and resolving technical issues with Cisco products and technologies. The website is available 24 hours a day, at this URL:

<http://www.cisco.com/techsupport>

Access to all tools on the Cisco Technical Support & Documentation website requires a Cisco.com user ID and password. If you have a valid service contract but do not have a user ID or password, you can register at this URL:

<http://tools.cisco.com/RPF/register/register.do>



### Note

Use the Cisco Product Identification (CPI) tool to locate your product serial number before submitting a web or phone request for service. You can access the CPI tool from the Cisco Technical Support & Documentation website by clicking the **Tools & Resources** link under Documentation & Tools. Choose **Cisco Product Identification Tool** from the Alphabetical Index drop-down list, or click the **Cisco Product Identification Tool** link under Alerts & RMAs. The CPI tool offers three search options: by product ID or model name; by tree view; or for certain products, by copying and pasting **show** command output. Search results show an illustration of your product with the serial number label location highlighted. Locate the serial number label on your product and record the information before placing a service call.

## Submitting a Service Request

Using the online TAC Service Request Tool is the fastest way to open S3 and S4 service requests. (S3 and S4 service requests are those in which your network is minimally impaired or for which you require product information.) After you describe your situation, the TAC Service Request Tool provides recommended solutions. If your issue is not resolved using the recommended resources, your service request is assigned to a Cisco engineer. The TAC Service Request Tool is located at this URL:

<http://www.cisco.com/techsupport/servicerequest>

For S1 or S2 service requests or if you do not have Internet access, contact the Cisco TAC by telephone. (S1 or S2 service requests are those in which your production network is down or severely degraded.) Cisco engineers are assigned immediately to S1 and S2 service requests to help keep your business operations running smoothly.

To open a service request by telephone, use one of the following numbers:

Asia-Pacific: +61 2 8446 7411 (Australia: 1 800 805 227)

EMEA: +32 2 704 55 55

USA: 1 800 553-2447

For a complete list of Cisco TAC contacts, go to this URL:

<http://www.cisco.com/techsupport/contacts>

## Definitions of Service Request Severity

To ensure that all service requests are reported in a standard format, Cisco has established severity definitions.

**Severity 1 (S1)**—Your network is “down,” or there is a critical impact to your business operations. You and Cisco will commit all necessary resources around the clock to resolve the situation.

**Severity 2 (S2)**—Operation of an existing network is severely degraded, or significant aspects of your business operation are negatively affected by inadequate performance of Cisco products. You and Cisco will commit full-time resources during normal business hours to resolve the situation.

**Severity 3 (S3)**—Operational performance of your network is impaired, but most business operations remain functional. You and Cisco will commit resources during normal business hours to restore service to satisfactory levels.

**Severity 4 (S4)**—You require information or assistance with Cisco product capabilities, installation, or configuration. There is little or no effect on your business operations.

# Obtaining Additional Publications and Information

Information about Cisco products, technologies, and network solutions is available from various online and printed sources.

- Cisco Marketplace provides a variety of Cisco books, reference guides, documentation, and logo merchandise. Visit Cisco Marketplace, the company store, at this URL:

<http://www.cisco.com/go/marketplace/>

- *Cisco Press* publishes a wide range of general networking, training and certification titles. Both new and experienced users will benefit from these publications. For current Cisco Press titles and other information, go to Cisco Press at this URL:

<http://www.ciscopress.com>

- *Packet* magazine is the Cisco Systems technical user magazine for maximizing Internet and networking investments. Each quarter, Packet delivers coverage of the latest industry trends, technology breakthroughs, and Cisco products and solutions, as well as network deployment and troubleshooting tips, configuration examples, customer case studies, certification and training information, and links to scores of in-depth online resources. You can access Packet magazine at this URL:

<http://www.cisco.com/packet>

- *iQ Magazine* is the quarterly publication from Cisco Systems designed to help growing companies learn how they can use technology to increase revenue, streamline their business, and expand services. The publication identifies the challenges facing these companies and the technologies to help solve them, using real-world case studies and business strategies to help readers make sound technology investment decisions. You can access iQ Magazine at this URL:

<http://www.cisco.com/go/iqmagazine>

or view the digital edition at this URL:

<http://ciscoiq.texterity.com/ciscoiq/sample/>



- *Internet Protocol Journal* is a quarterly journal published by Cisco Systems for engineering professionals involved in designing, developing, and operating public and private internets and intranets. You can access the Internet Protocol Journal at this URL:  
<http://www.cisco.com/ipj>
- Networking products offered by Cisco Systems, as well as customer support services, can be obtained at this URL:  
<http://www.cisco.com/en/US/products/index.html>
- Networking Professionals Connection is an interactive website for networking professionals to share questions, suggestions, and information about networking products and technologies with Cisco experts and other networking professionals. Join a discussion at this URL:  
<http://www.cisco.com/discuss/networking>
- World-class networking training is available from Cisco. You can view current offerings at this URL:  
<http://www.cisco.com/en/US/learning/index.html>

This document is to be used in conjunction with the *Cisco 12404 Internet Router Installation and Configuration Guide*, Part Number: 7813511=.

CCSP, CCVP, the Cisco Square Bridge logo, Follow Me Browsing, and StackWise are trademarks of Cisco Systems, Inc.; Changing the Way We Work, Live, Play, and Learn, and iQuick Study are service marks of Cisco Systems, Inc.; and Access Registrar, Aironet, BPX, Catalyst, CCDA, CCDP, CCIE, CCIP, CCNA, CCNP, Cisco, the Cisco Certified Internetwork Expert logo, Cisco IOS, Cisco Press, Cisco Systems, Cisco Systems Capital, the Cisco Systems logo, Cisco Unity, Enterprise/Solver, EtherChannel, EtherFast, EtherSwitch, Fast Step, FormShare, GigaDrive, GigaStack, HomeLink, Internet Quotient, IOS, IP/TV, iQ Expertise, the iQ logo, iQ Net Readiness Scorecard, LightStream, Linksys, MeetingPlace, MGX, the Networkers logo, Networking Academy, Network Registrar, *Packet*, PIX, Post-Routing, Pre-Routing, ProConnect, RateMUX, ScriptShare, SlideCast, SMARTnet, The Fastest Way to Increase Your Internet Quotient, and TransPath are registered trademarks of Cisco Systems, Inc. and/or its affiliates in the United States and certain other countries.

All other trademarks mentioned in this document or Website are the property of their respective owners. The use of the word partner does not imply a partnership relationship between Cisco and any other company. (0601R)

Copyright © 2006, Cisco Systems, Inc.  
All rights reserved.

## Free Manuals Download Website

<http://myh66.com>

<http://usermanuals.us>

<http://www.somanuals.com>

<http://www.4manuals.cc>

<http://www.manual-lib.com>

<http://www.404manual.com>

<http://www.luxmanual.com>

<http://aubethermostatmanual.com>

Golf course search by state

<http://golfingnear.com>

Email search by domain

<http://emailbydomain.com>

Auto manuals search

<http://auto.somanuals.com>

TV manuals search

<http://tv.somanuals.com>